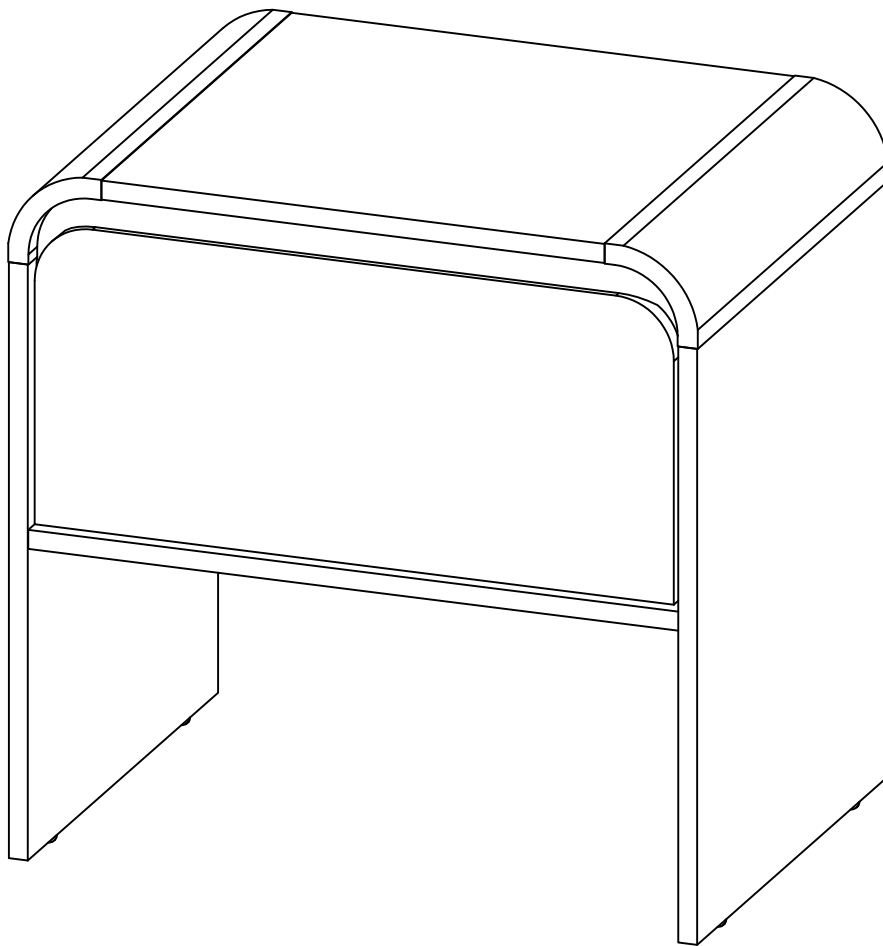


BEDSIDE 1 DRAWER

ASSEMBLY INSTRUCTIONS



TIPS BEFORE YOU START

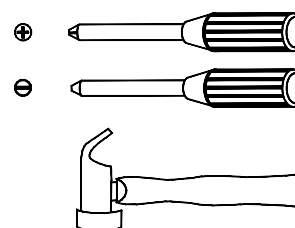
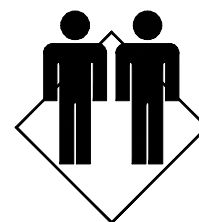
1. Please check that all parts are present before you start the assembly of your furniture.
2. For ease and speed of assembly, we recommend that before you commence each step of the assembly, that you identify all the parts required for that step.
3. For larger items, please ensure that you have sufficient space and people to assemble your product safely.
4. We recommend that, where possible, all items are assembled near to the area in which they will be placed in use, to avoid moving the product unnecessarily once assembled.
5. For the protection of your furniture, we recommend that the product is placed on a protected surface during assembly to prevent any damage.
6. During assembly please take care not to over-tighten any fittings, as this may damage the product. Do not use power tools.
7. Always place the product on a flat, steady and stable surface.
8. Do not stand on the product. Do not use the product as a stepladder.
9. This product is intended for indoor, household use only as it is a non-industrial product.
10. Please use caution and care when lifting the product to avoid personal injury and/or product damage.

CARE AND MAINTENANCE OF YOUR FURNITURE

- ☑ Please periodically check all fittings and re-tighten as necessary.
- ☑ To clean your item, please use a damp cloth and wipe clean.
- ☑ To clean glass, please use glass cleaner.
- ☑ Never allow any kind of liquid to remain on your furniture. Absorption can cause wood to warp or finishes to de-laminate.
- ☑ Please do not place hot items (eg. hot drinks) directly on to the surface.
- ☑ Please do not drag and pull your furniture.

ASSEMBLY REQUIREMENTS

- ☑ Equipment: phillips head screwdriver, flat head screwdriver, hammer
- ☑ 2 x adults required
- ☑ 2m x 2m assembly space required
- ☑ 1 hour assembly time approx.



ANTI-TOPPLING WARNING

CHILDREN HAVE DIED FROM FURNITURE TIPOVER.

- **ALWAYS** secure this furniture with an anchor device
- **NEVER** allow children to stand, climb or hang on doors or shelves
- **NEVER** open more than one drawer at a time
- **ALWAYS** secure your television to this furniture with an anchor device or mount the television on a wall

For more information, visit <https://www.productsafety.gov.au>

 **WARNING**





Children have died from furniture tipover.

- ALWAYS secure this furniture with an anchor device.
- NEVER allow children to stand, climb or hang on drawers, doors, or shelves.
- NEVER open more than one drawer at a time.
- Place heavy items down low.

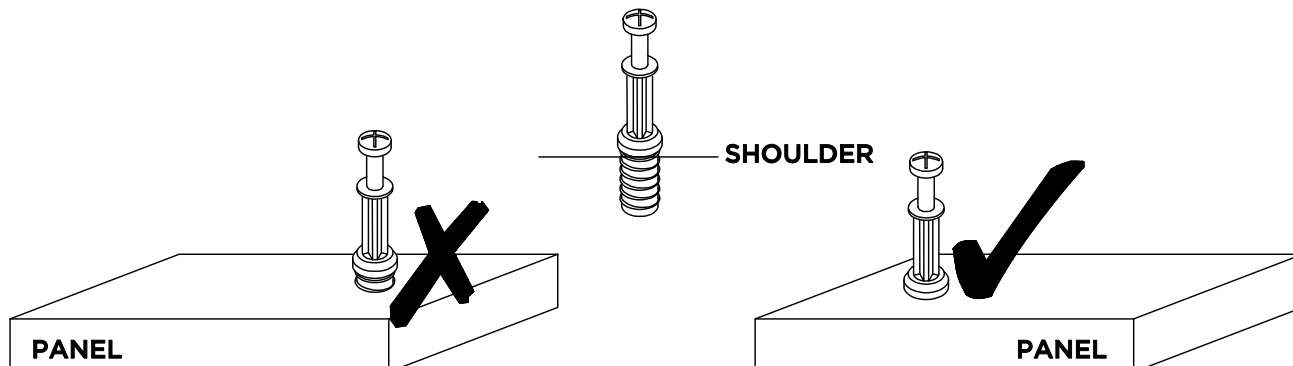
NEVER put a TV on this furniture



USING CAM LOCK AND QUICKFIT

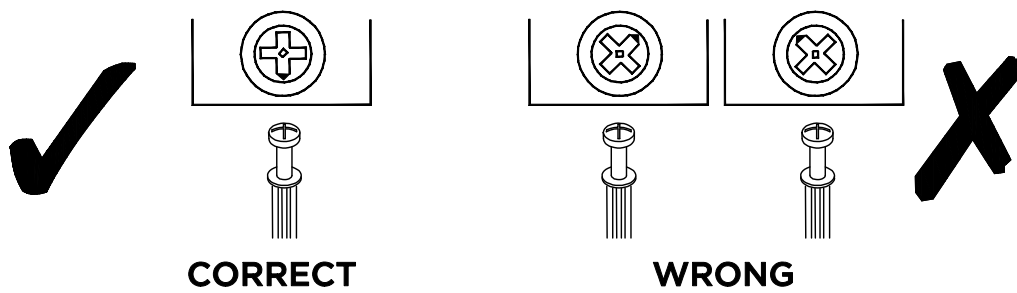
QUICKFIT

Tighten quickfit until shoulder is flush with panel. Do not overtighten or undertighten.



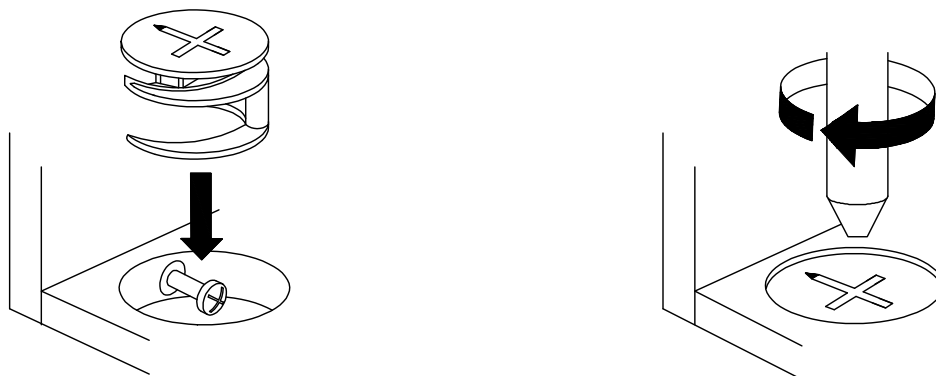
CAM LOCK

When fitting cam lock, ensure starting position is correct before you insert connecting quickfit.



Quickfit head should be in the centre of the cam lock when the two panels are joined.
Cam lock should be inserted before quickfit.

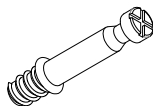
Turn cam lock clockwise to tighten.



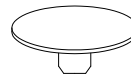
HARDWARE LIST



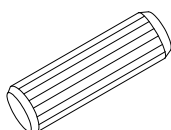
24 x A
Cam Lock



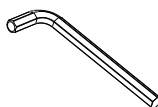
24 x B
Quickfit Screw



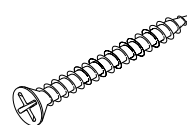
24 x C
Cam Lock Cover



18 x D
Wooden Dowel



1 x E
Allen Key

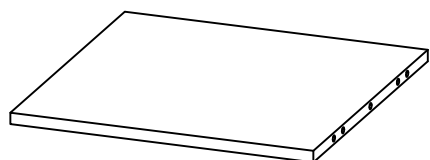


8 x F
Screw

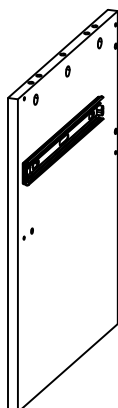


4 x G
Nail Leg

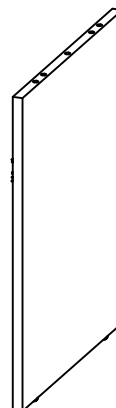
PARTS LIST



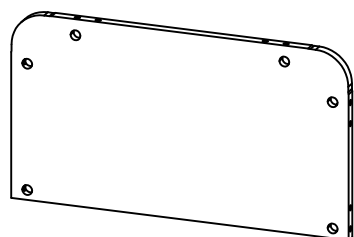
1
1PC



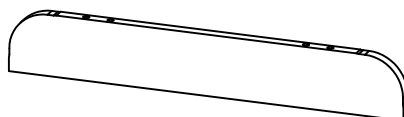
2
1PC



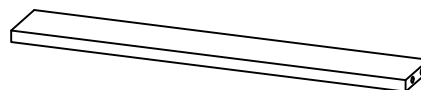
3
1PC



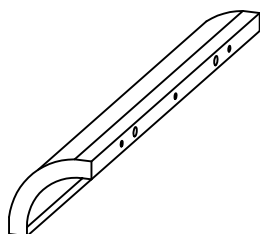
4
1PC



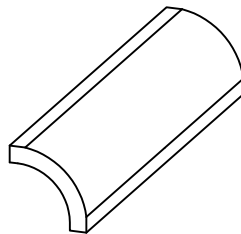
5
1PC



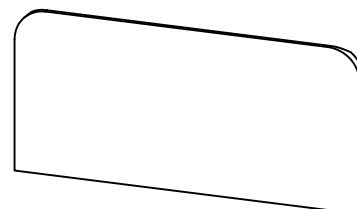
6
1PC



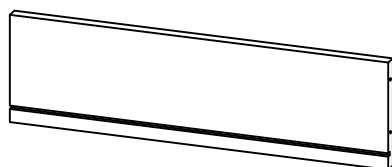
7
1PC



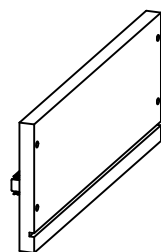
8
1PC



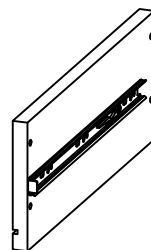
9
1PC



10
1PC



11
1PC



12
1PC



13
1PC

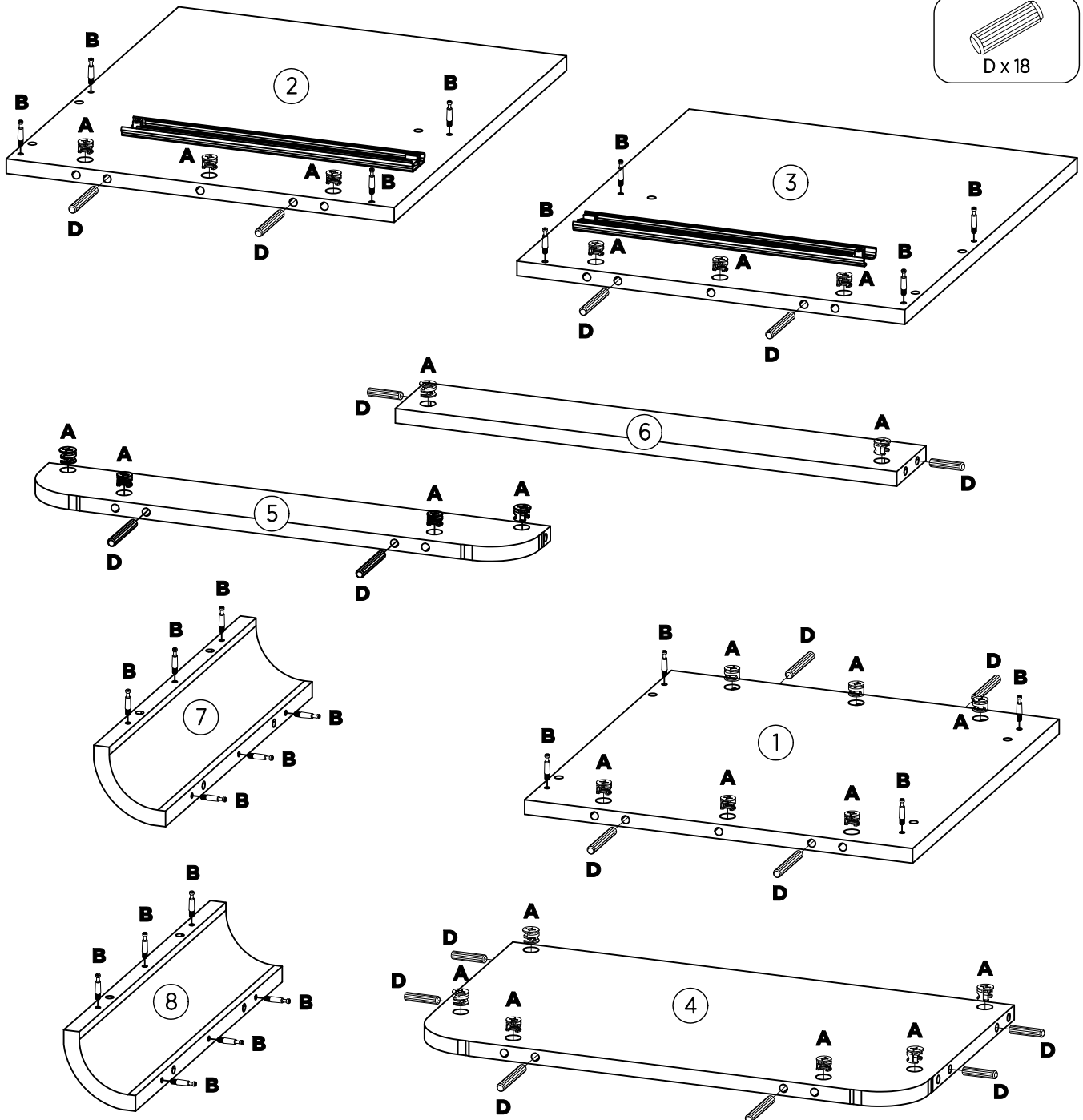
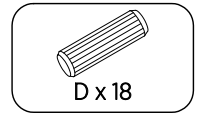
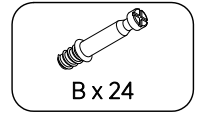
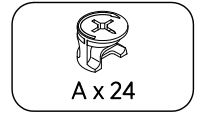
D

ASSEMBLY INSTRUCTIONS

STEP 1

Insert cam locks (A) and wooden dowels (D) to part 1, 2, 3, 4, 5 and 6.

Insert quickfit screws (B) to parts 1, 2, 3, 7 and 8, as shown.



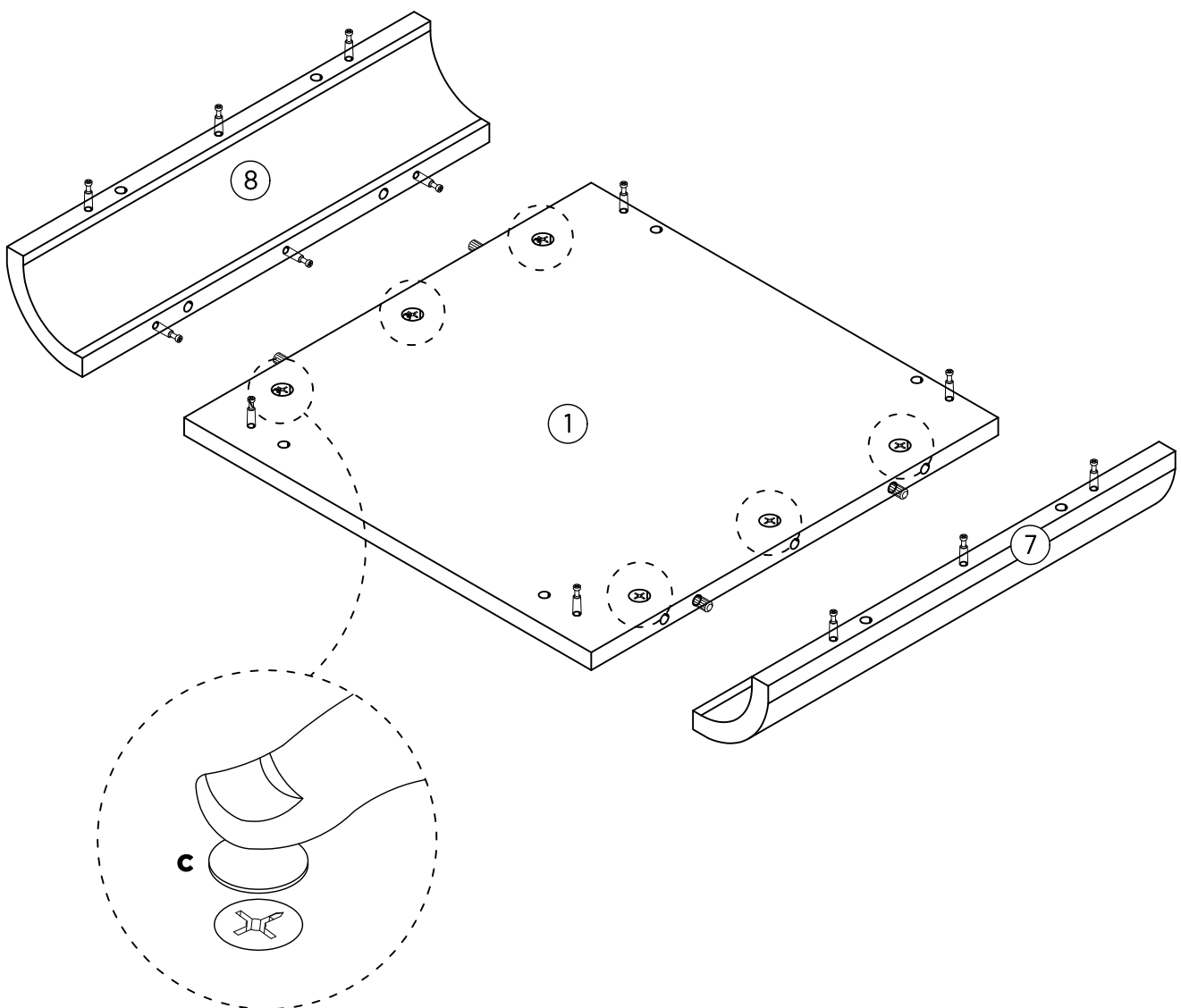
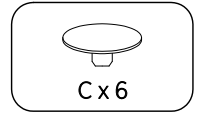
ASSEMBLY INSTRUCTIONS

STEP 2

Attach part 1 to parts 7 and 8.

Turn cam locks clockwise to tighten.

Attach cam lock covers (C), as shown.



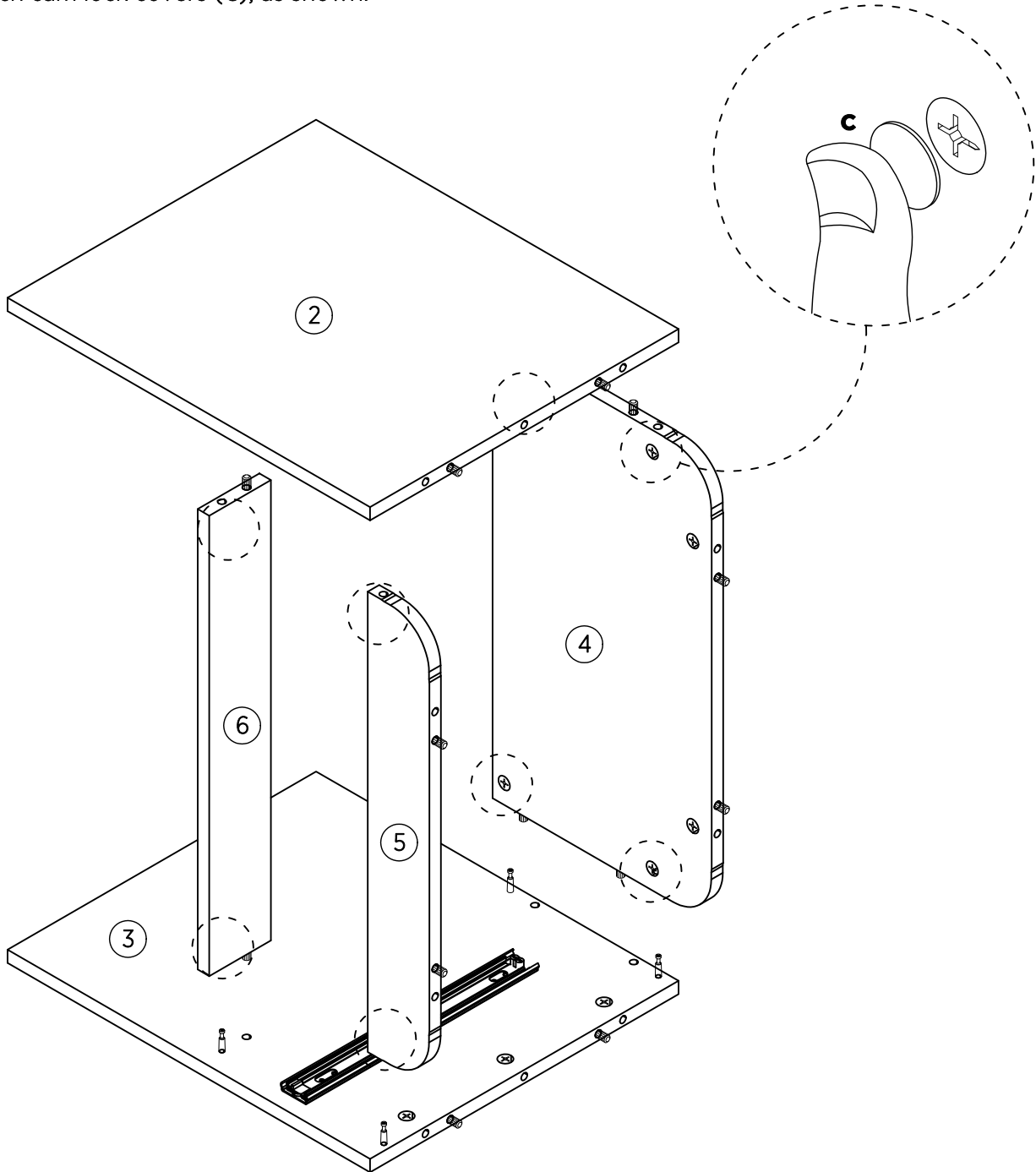
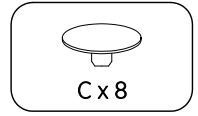
ASSEMBLY INSTRUCTIONS

STEP 3

Attach parts 2 and 3 to parts 4, 5 and 6.

Turn cam locks clockwise to tighten.

Attach cam lock covers (C), as shown.



ASSEMBLY INSTRUCTIONS

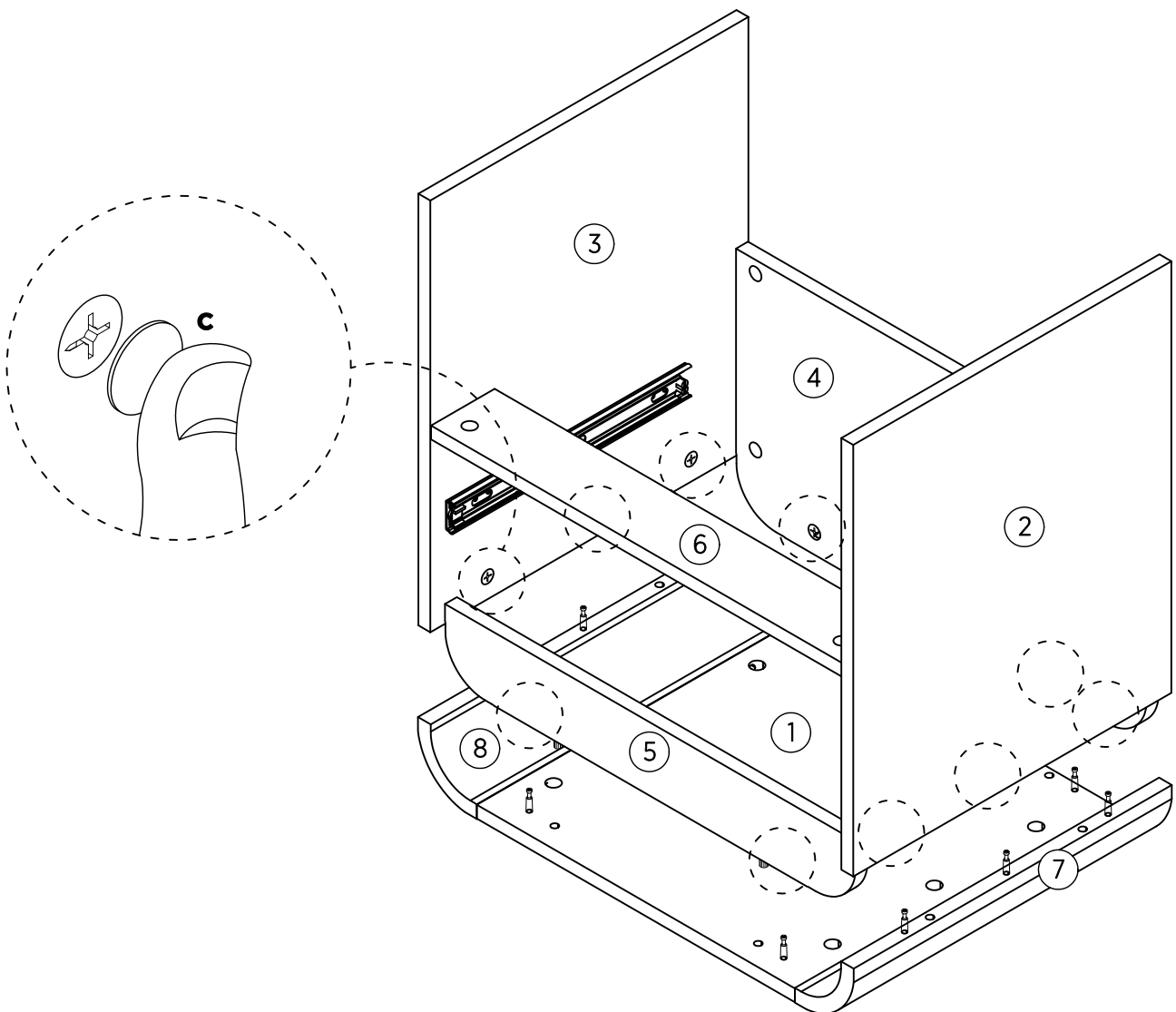
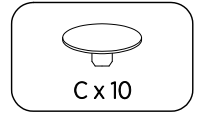
STEP 4

Attach parts 2 and 3 to parts 7 and 8.

Attach parts 4 and 5 to part 1.

Turn cam locks clockwise to tighten.

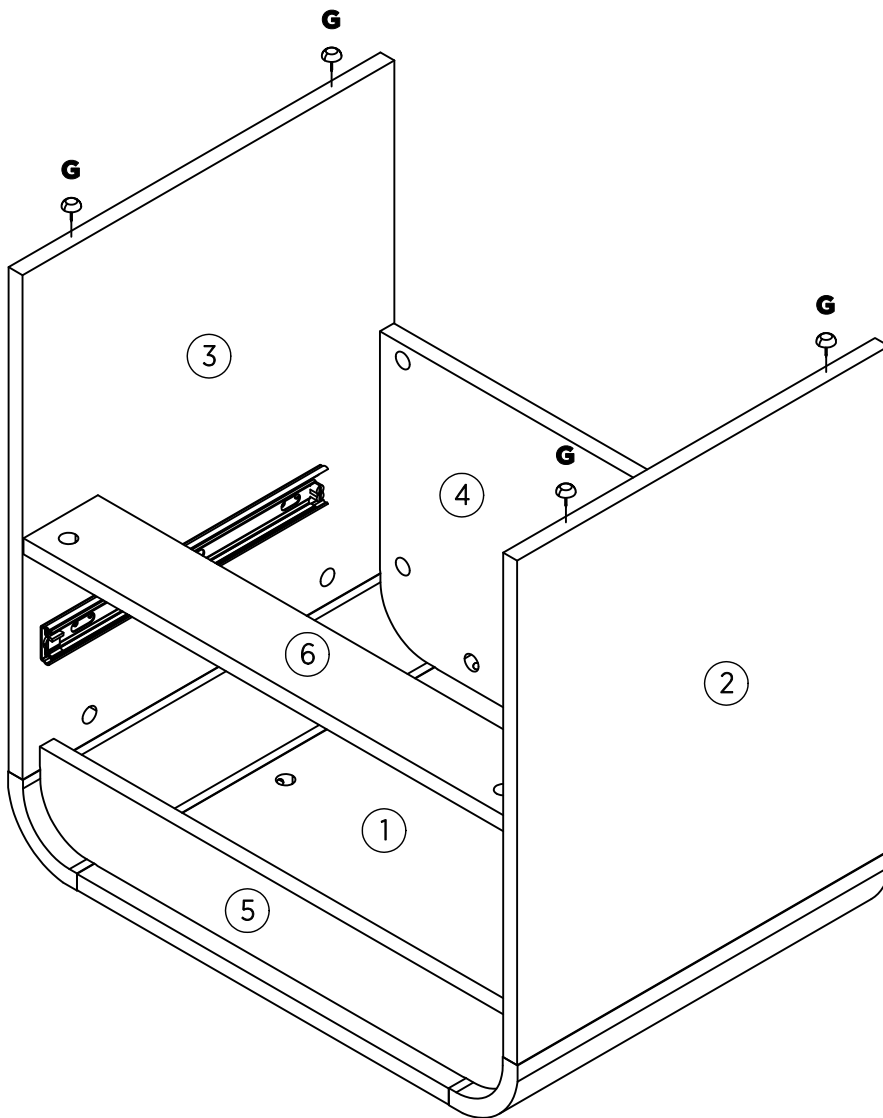
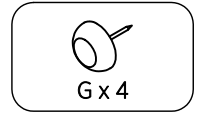
Attach cam lock covers (C), as shown.



ASSEMBLY INSTRUCTIONS

STEP 5

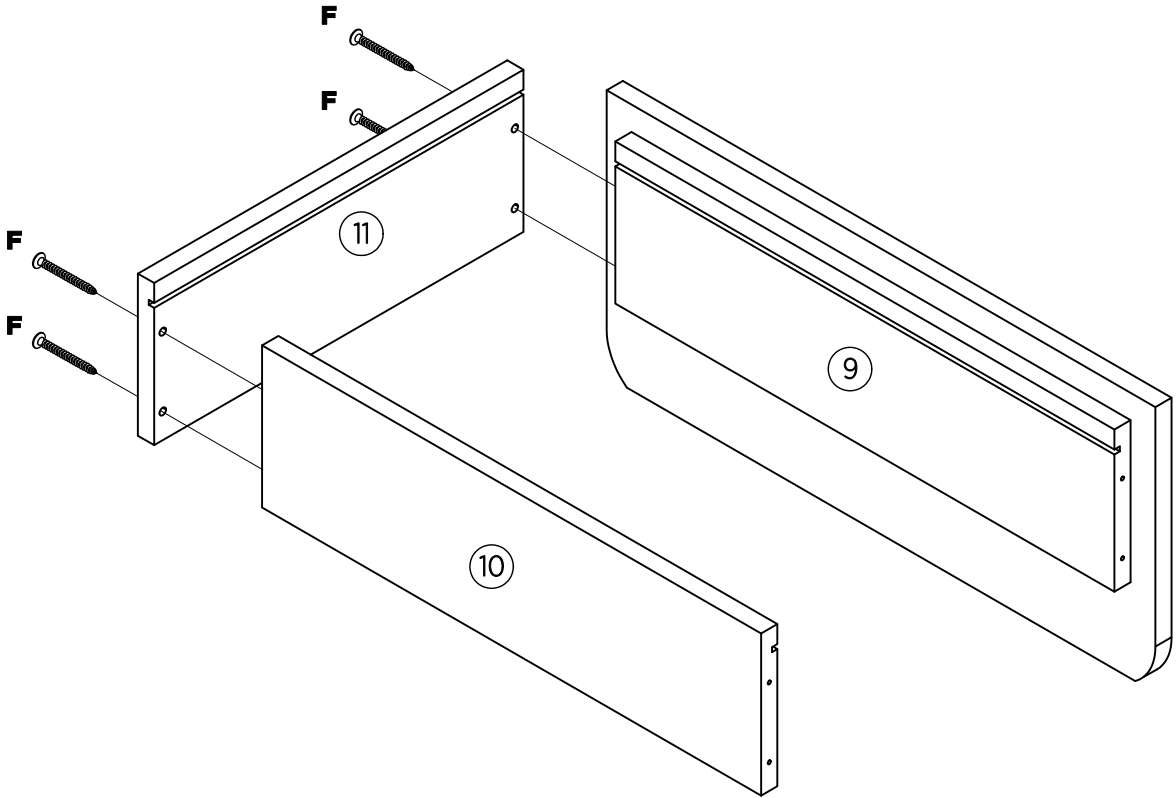
Fix nail leg (G) to part 2 and 3, as shown.



ASSEMBLY INSTRUCTIONS

STEP 6

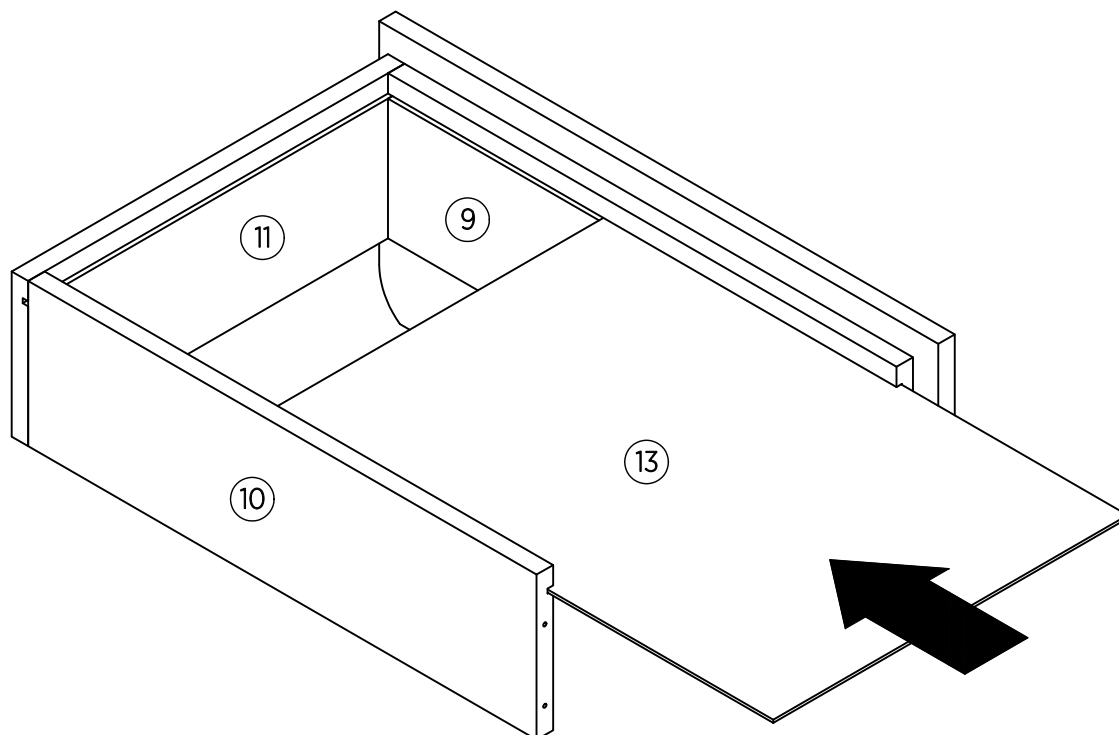
Fix part 11 to parts 9 and 10 using screws (F), as shown.



ASSEMBLY INSTRUCTIONS

STEP 7

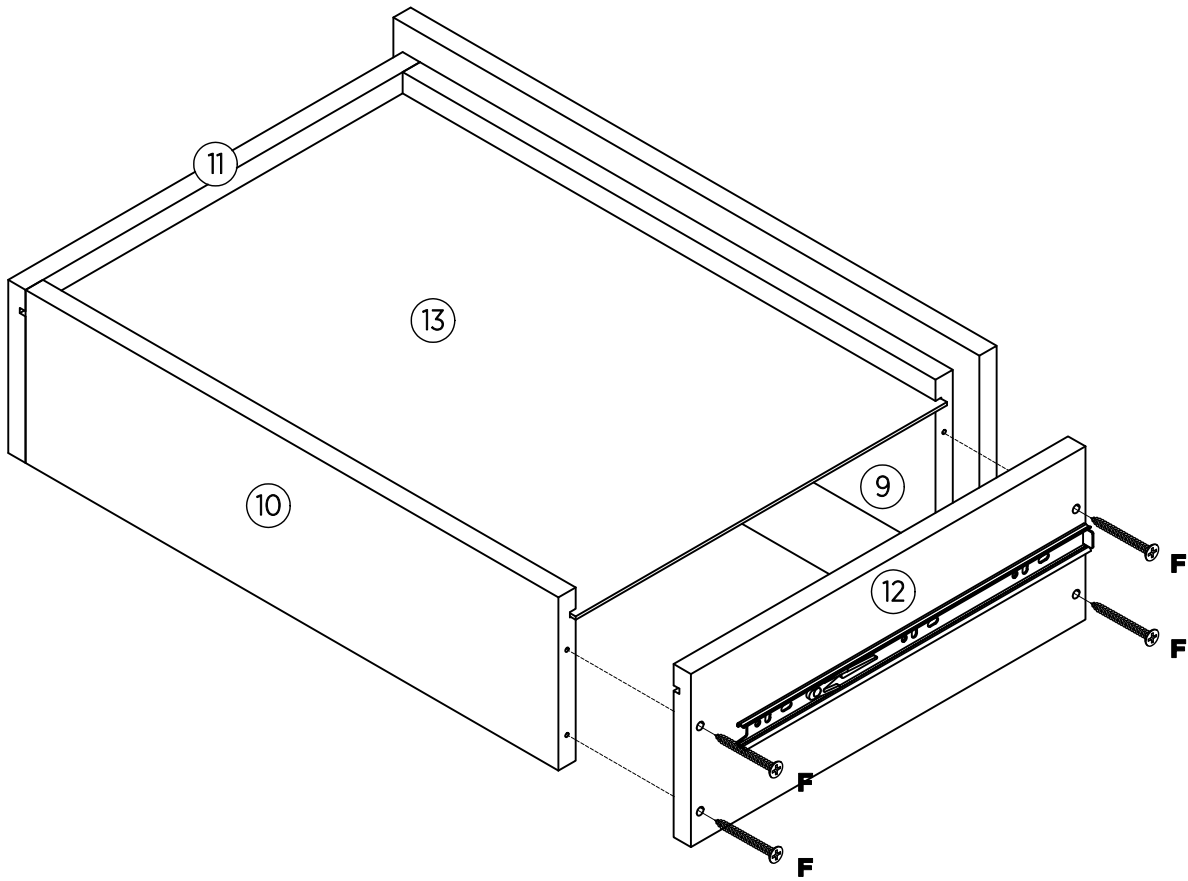
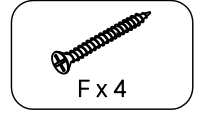
Insert part 13 into grooves between parts 9 and 10, as shown.



ASSEMBLY INSTRUCTIONS

STEP 8

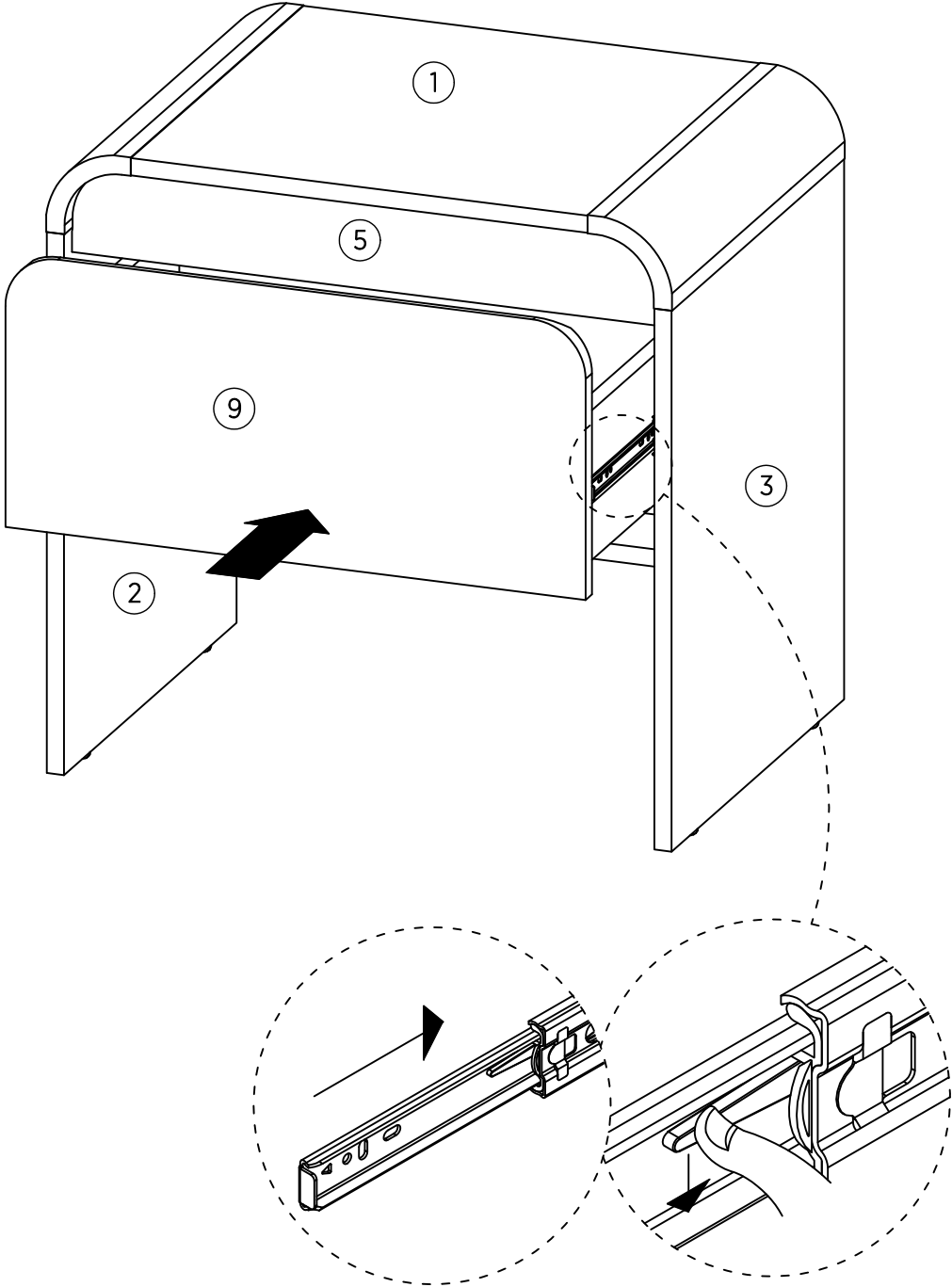
Fix part 12 to parts 9 and 10 using screws (F), as shown.



ASSEMBLY INSTRUCTIONS

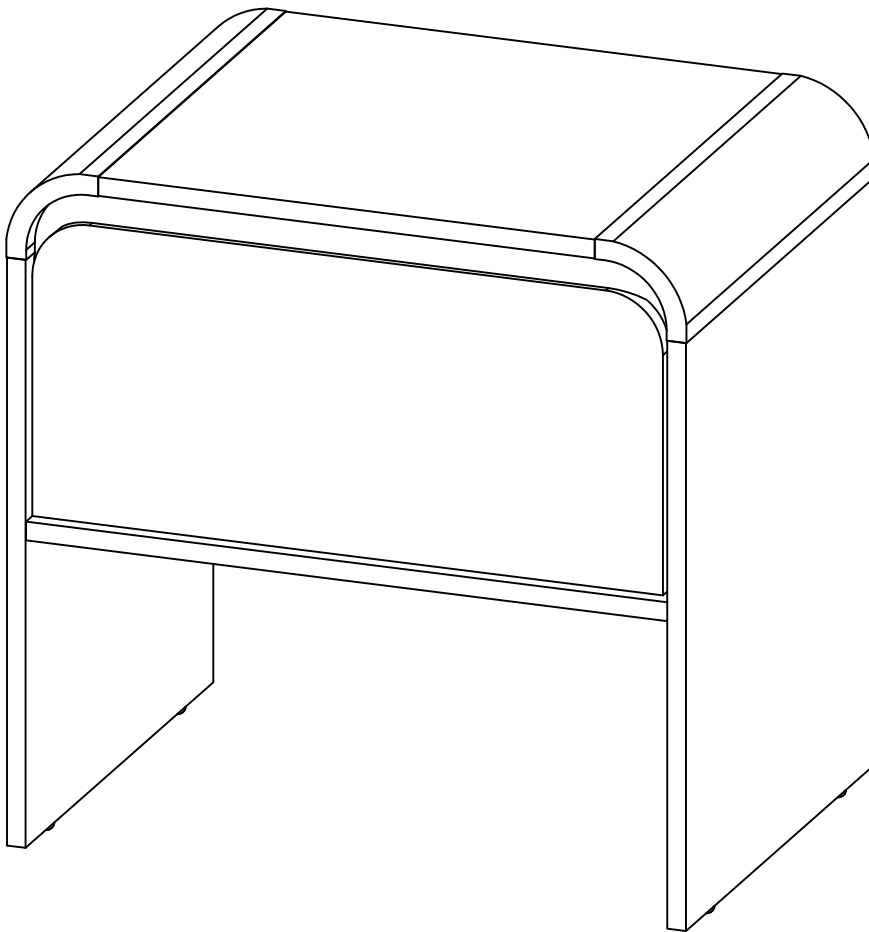
STEP 9

Fit drawer to assembled unit, as shown.



ASSEMBLY INSTRUCTIONS

STEP 10



⚠ WARNING







Children have died from furniture tipover.

- ALWAYS secure this furniture with an anchor device.
- NEVER allow children to stand, climb or hang on drawers, doors, or shelves.
- NEVER open more than one drawer at a time.
- Place heavy items down low.

NEVER put a TV on this furniture 

Maximum recommended weight is 15 kg on top, 7 kg on inside drawer.

Your product is ready for use.