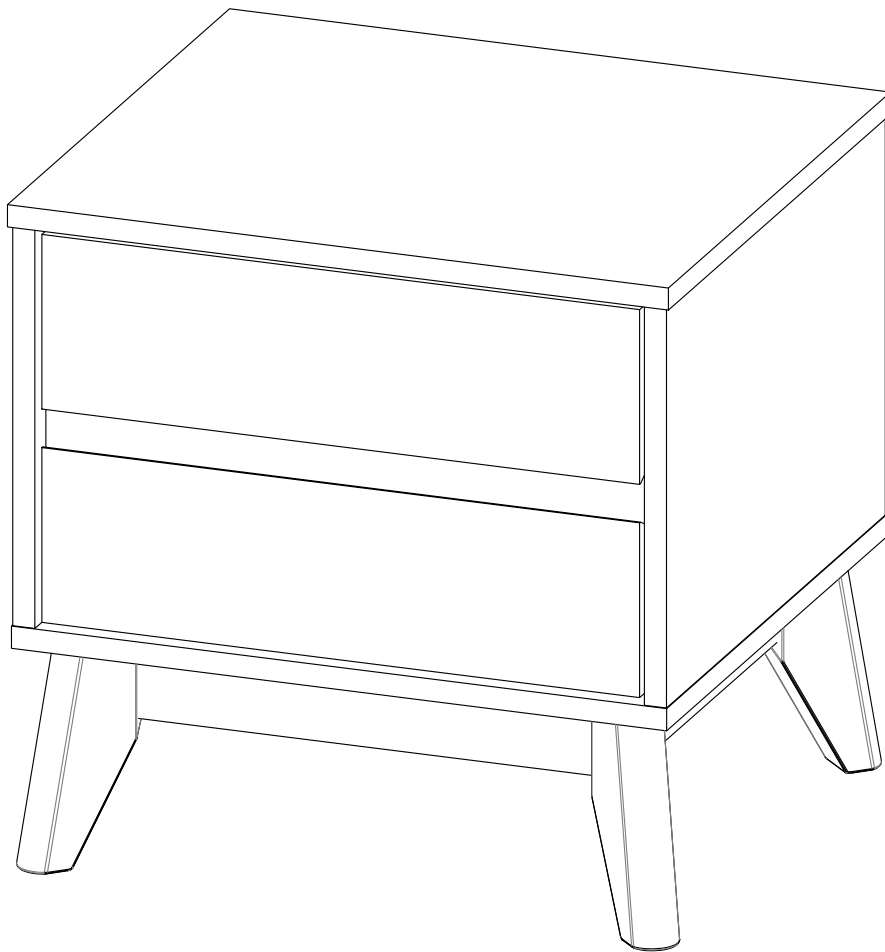


BEDSIDE 2 DRAWER

ASSEMBLY INSTRUCTIONS

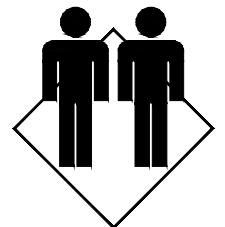


TIPS BEFORE YOU START

1. Please check that all parts are present before you start the assembly of your furniture.
2. For ease and speed of assembly, we recommend that before you commence each step of the assembly, that you identify all the parts required for that step.
3. For larger items, please ensure that you have sufficient space and people to assemble your product safely.
4. We recommend that, where possible, all items are assembled near to the area in which they will be placed in use, to avoid moving the product unnecessarily once assembled.
5. For the protection of your furniture, we recommend that the product is placed on a protected surface during assembly to prevent any damage.
6. During assembly please take care not to over-tighten any fittings, as this may damage the product. Do not use power tools.
7. Always place the product on a flat, steady and stable surface.
8. Do not stand on the product. Do not use the product as a stepladder.
9. This product is intended for indoor, household use only as it is a non-industrial product.
10. Please use caution and care when lifting the product to avoid personal injury and/or product damage.

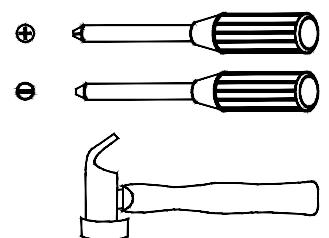
CARE AND MAINTENANCE OF YOUR FURNITURE

- ☑ Please periodically check all fittings and re-tighten as necessary.
- ☑ To clean your item, please use a damp cloth and wipe clean.
- ☑ To clean glass, please use glass cleaner.
- ☑ Never allow any kind of liquid to remain on your furniture. Absorption can cause wood to warp or finishes to de-laminate.
- ☑ Please do not place hot items (eg. hot drinks) directly on to the surface.
- ☑ Please do not drag and pull your furniture.



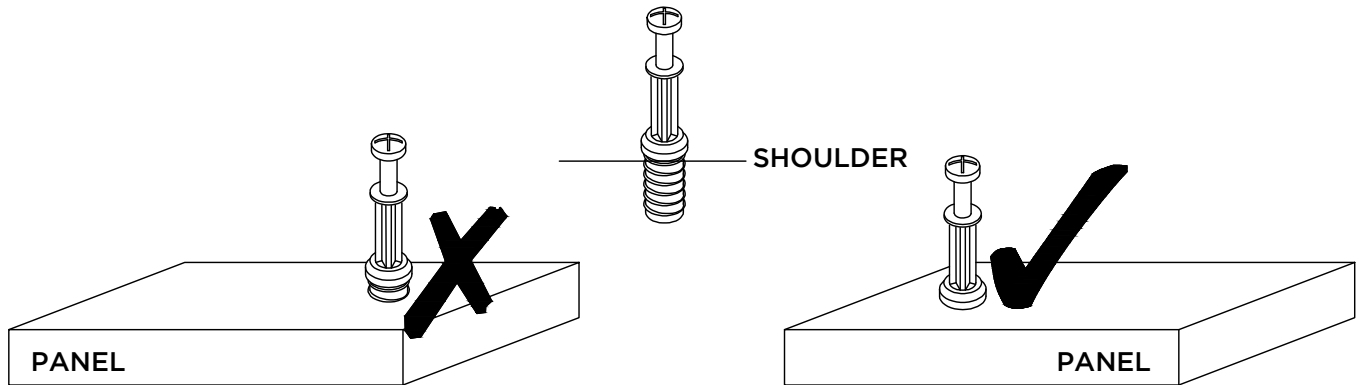
ASSEMBLY REQUIREMENTS

- ☑ Equipment: phillips head screwdriver, flat head screwdriver, hammer
- ☑ 2 x adults required
- ☑ 2m x 2m assembly space required
- ☑ 1 hour assembly time approx.



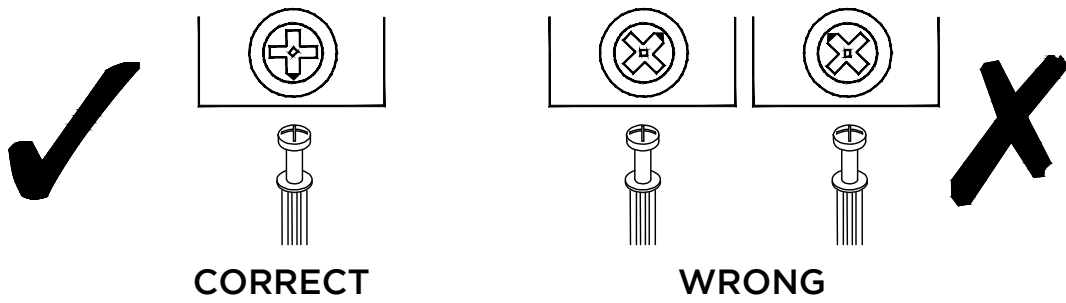
USING CAM LOCK AND QUICKFIT

QUICKFIT



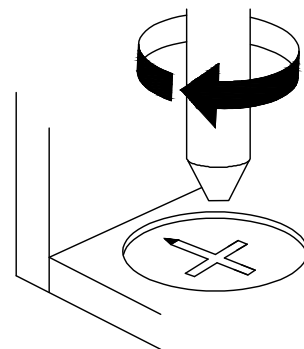
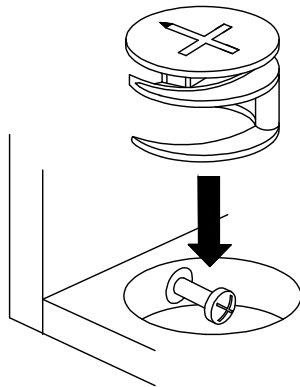
CAM LOCK

When fitting cam lock, ensure starting position is correct before you insert connecting quickfit.



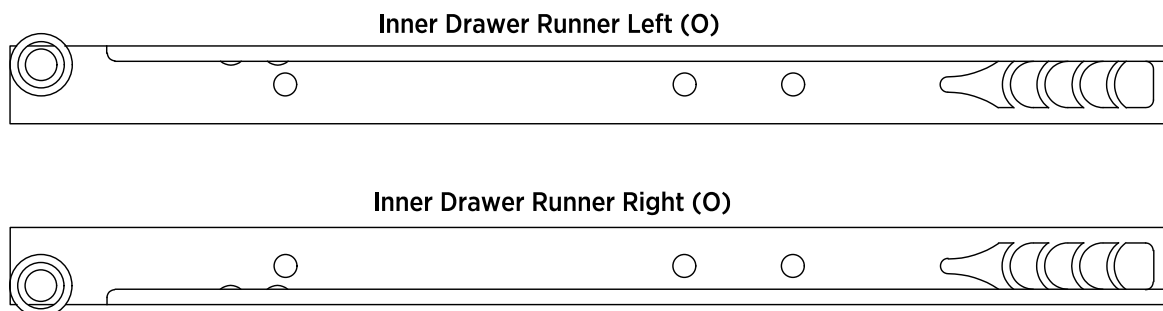
Quickfit head should be in the centre of the cam lock when the two panels are joined.
Cam lock should be inserted before quickfit.

Turn cam lock clockwise to tighten.

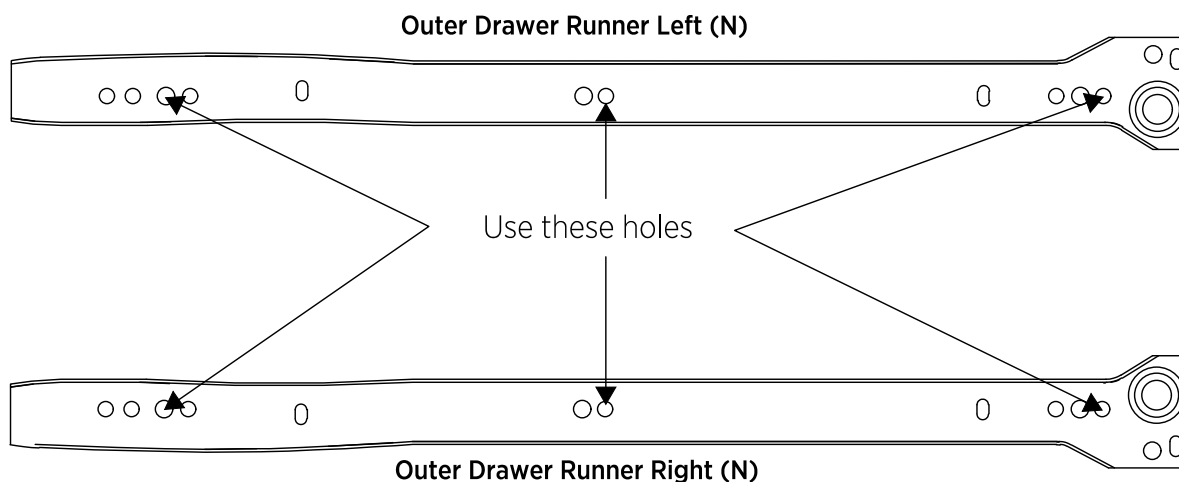


DRAWER SLIDE GUIDE

Your pack will contain two sets of Metal Drawer Slides. These are bundled together with adhesive tape. The set comprises of 4 components. Undo the tape on one set at a time and separate the parts.



The Drawer Slide components shown above are attached to the **drawer**. They have the letters **OL** or **OR** stamped on them to indicate left hand or right hand components. Put these parts aside for attaching to the drawer later.

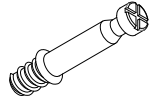


The Drawer Slide components shown above are attached to the **bedside**. They have the letters **NL** or **NR** stamped on them to indicate left hand or right hand components. You will need these for step 2 and 9.

HARDWARE LIST



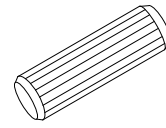
6 x A
Cam Lock



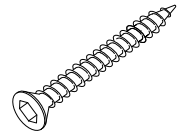
6 x B
Quickfit Screw



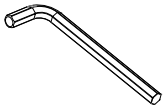
6 x C
Cam Lock Cover



16 x D
Wooden Dowel



6 x E
Screw



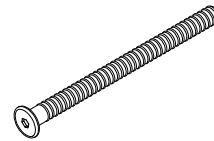
1 x F
Allen Key



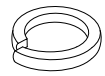
28 x G
Screw



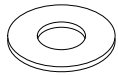
16 x H
Screw



8 x I
Bolt



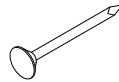
8 x J
Spring
Washer



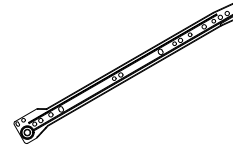
8 x K
Flat
Washer



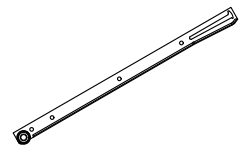
2 x L
L Bracket



12 x M
Nail

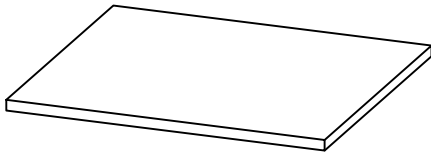


2 x N
Outer Drawer Runner

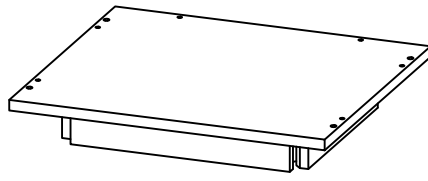


2 x O
Inner Drawer Runner

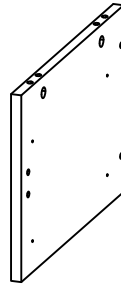
PARTS LIST



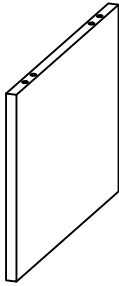
1
1 PC



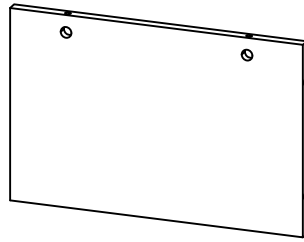
2
1 PC



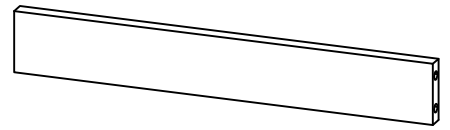
3
1 PC



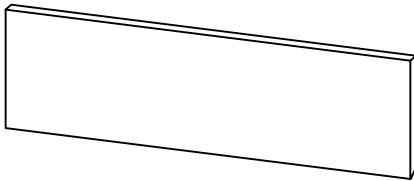
4
1 PC



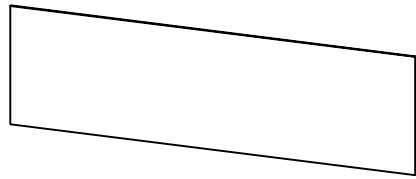
5
1 PC



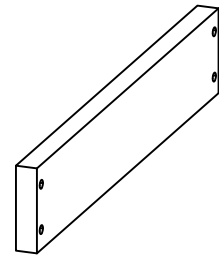
6
1 PC



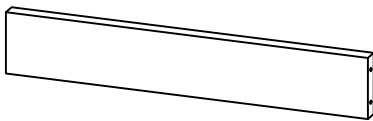
7
1 PC



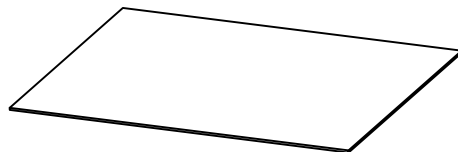
8
1 PC



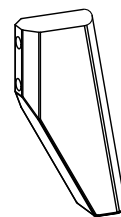
9
4 PCS



10
2 PCS



11
2 PCS



12
4 PCS

ASSEMBLY INSTRUCTIONS

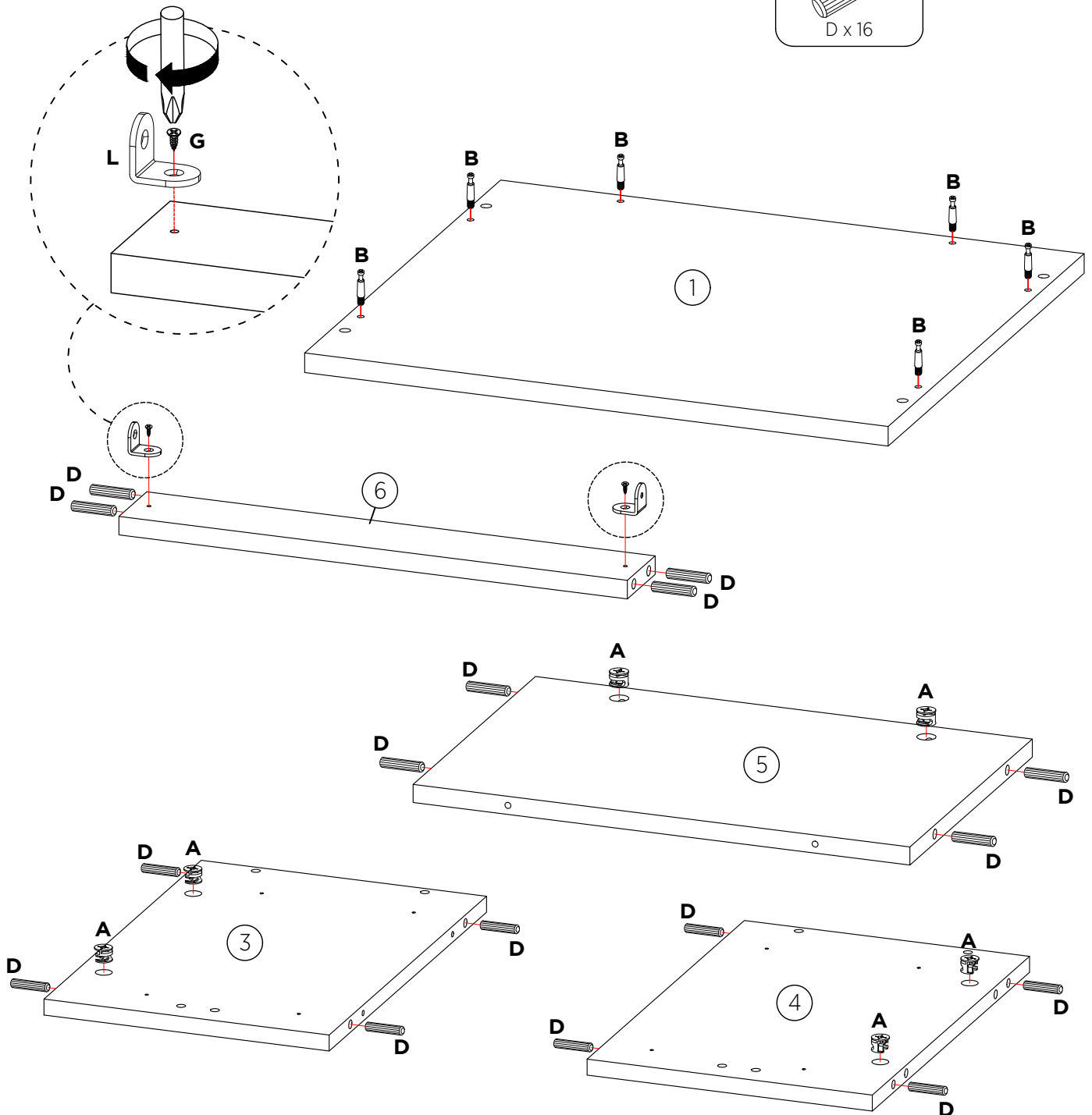
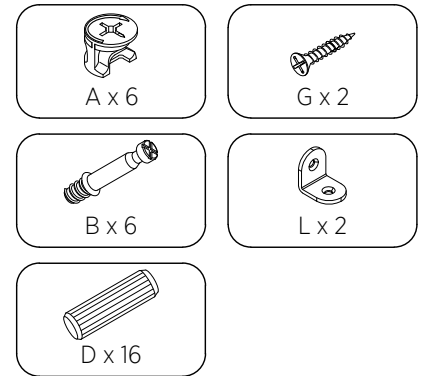
STEP 1

Insert cam locks (A) to part 3, 4 and 5.

Insert quickfit screws (B) to part 1, as shown.

Insert wooden dowels (D) to part 3, 4, 5 and 6.

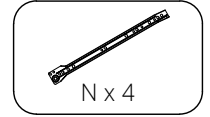
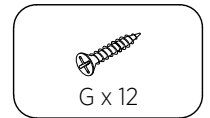
Fix L bracket (L) to part 6 using screws (G) as shown.



ASSEMBLY INSTRUCTIONS

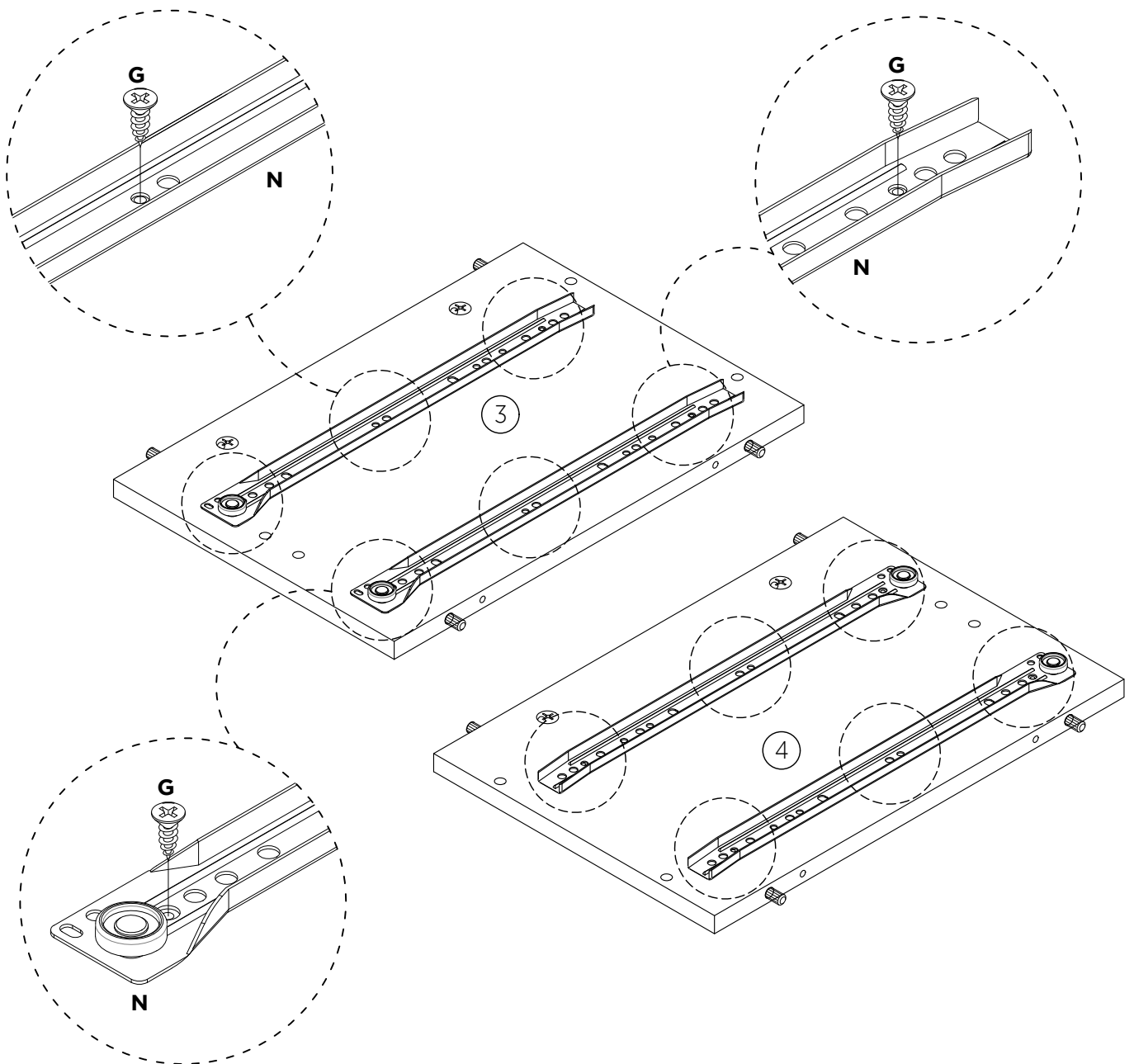
STEP 2

Fix outer drawer runners (N) to parts 3 and 4 using screws (G), as shown.



WARNING

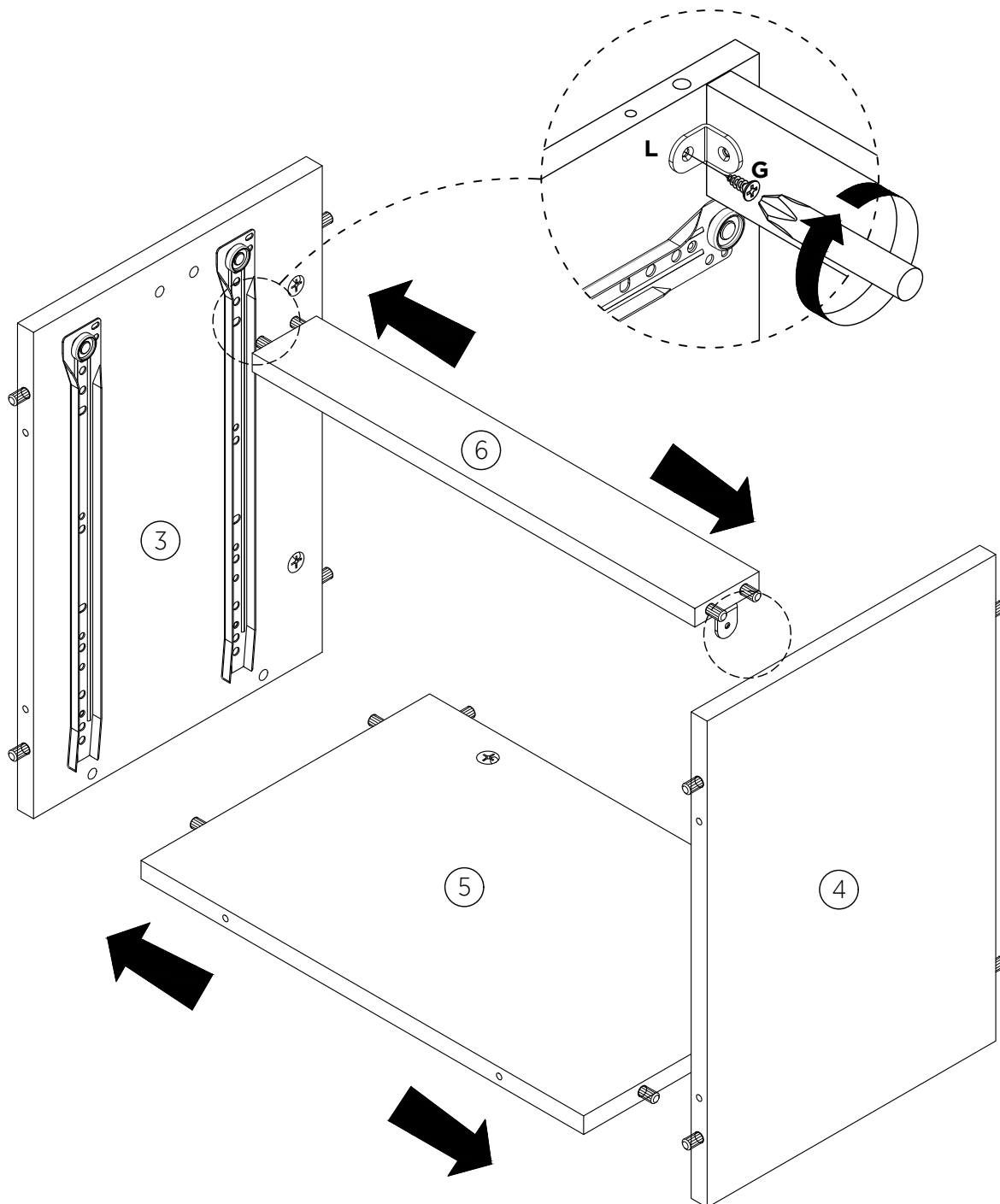
The most common cause of drawers being misaligned is at the drawer assembly and runner installation stage. Please ensure all instructions and screw hole positions are followed as indicated to avoid misaligned drawers.



ASSEMBLY INSTRUCTIONS

STEP 3

Attach parts (3) and (4) to parts (5) and (6), as shown.
Fix L bracket (L) to parts 3, 4 and 6 using screws (G), as shown.



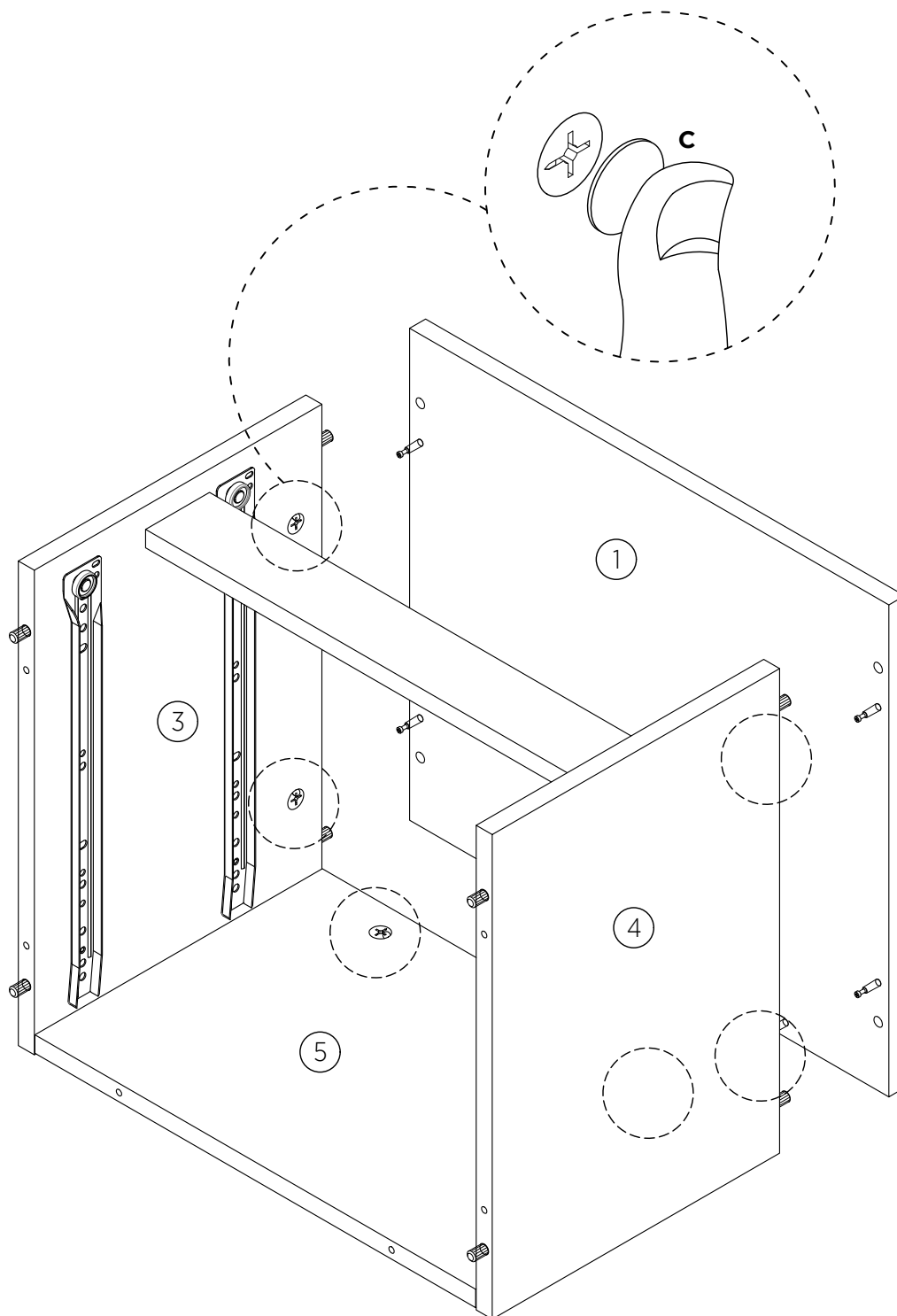
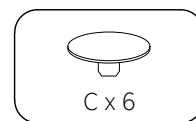
ASSEMBLY INSTRUCTIONS

STEP 4

Attach part 1 to parts 3, 4 and 5.

Turn cam locks clockwise to tighten.

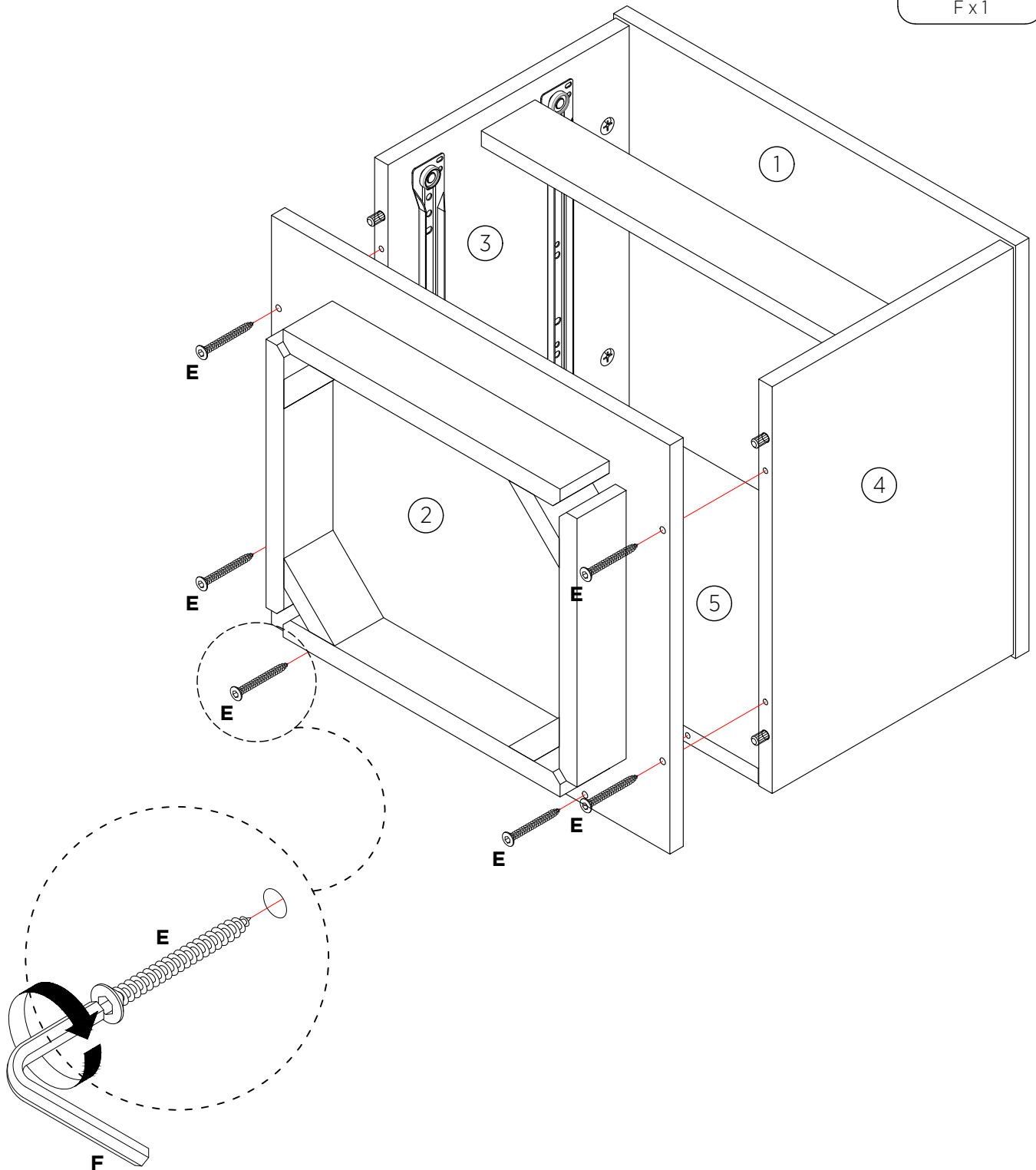
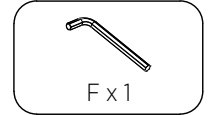
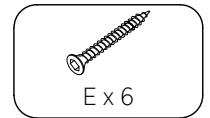
Attach cam lock covers (C), as shown.



ASSEMBLY INSTRUCTIONS

STEP 5

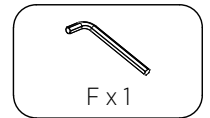
Fix part 2 to parts 3, 4 and 5 using screws (E) and allen key (F), as shown.



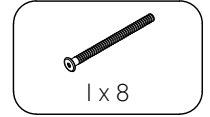
ASSEMBLY INSTRUCTIONS

STEP 6

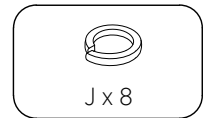
Fix legs 12 to part 2 using bolts (I), spring washers (J) and washers (K), tighten with allen key (F), as shown.



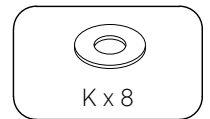
F x 1



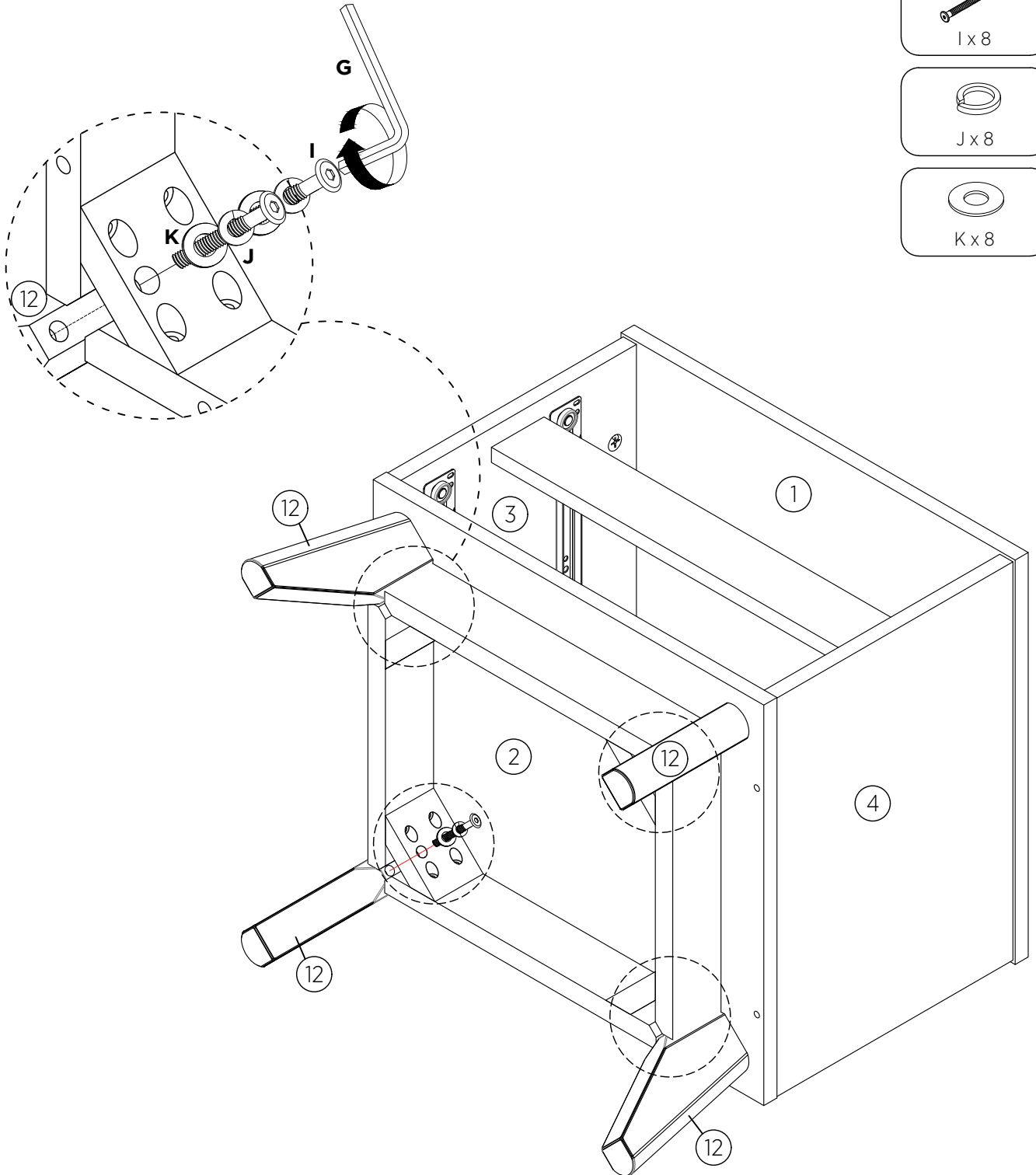
I x 8



J x 8



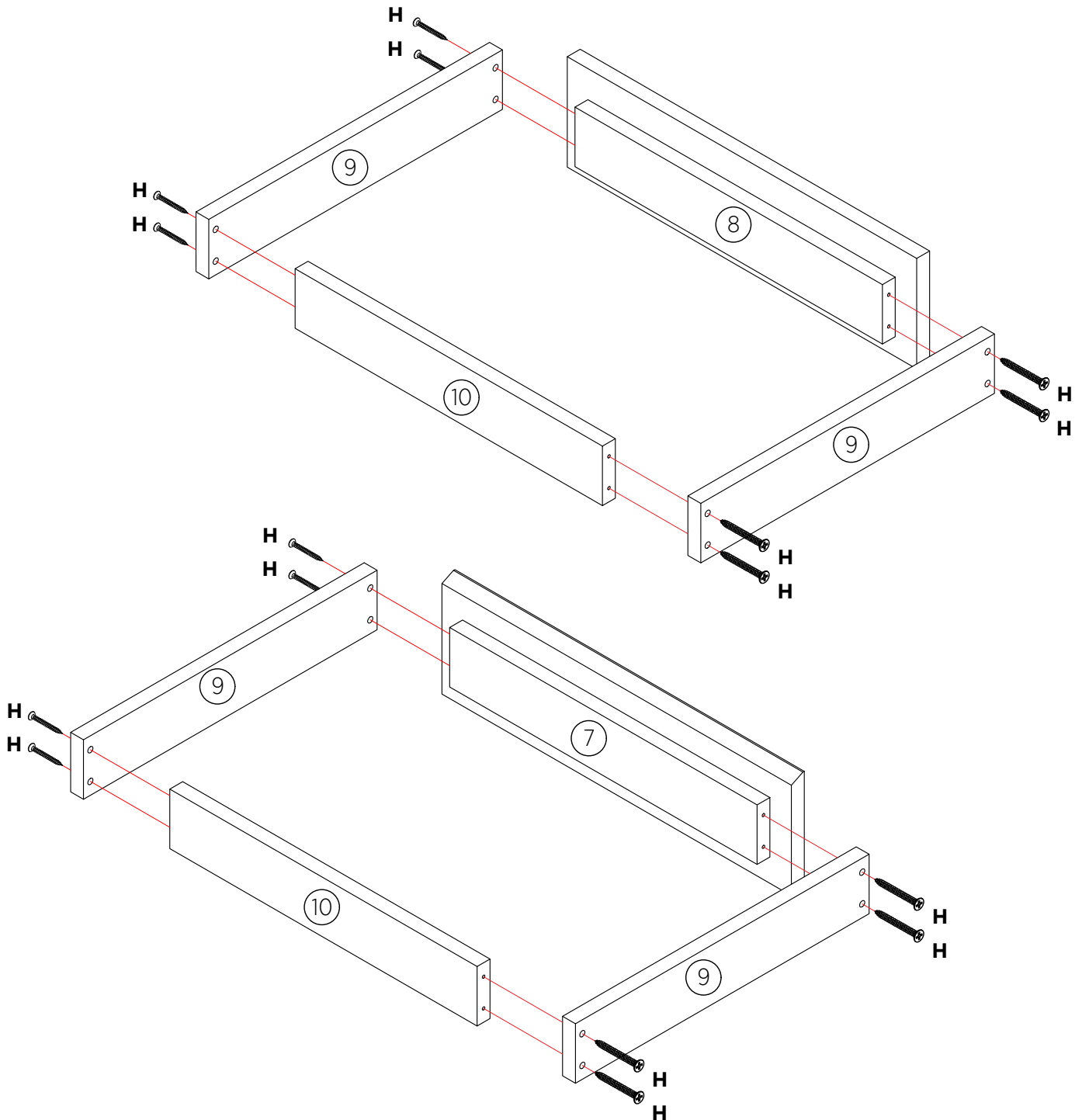
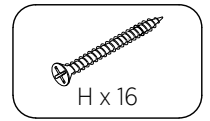
K x 8



ASSEMBLY INSTRUCTIONS

STEP 7

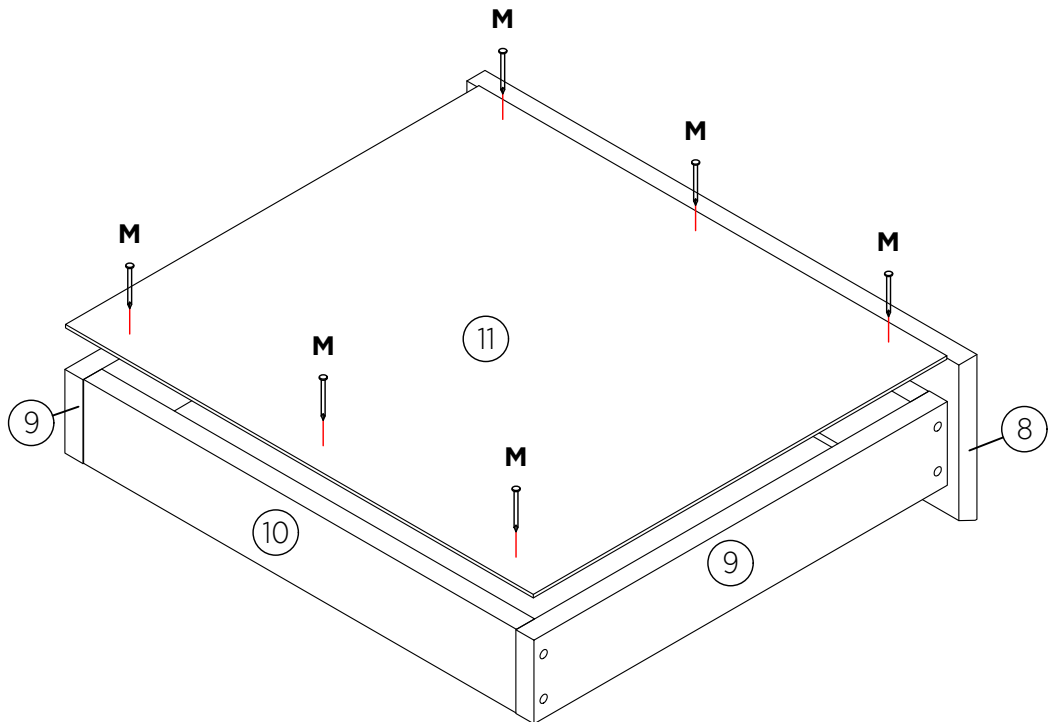
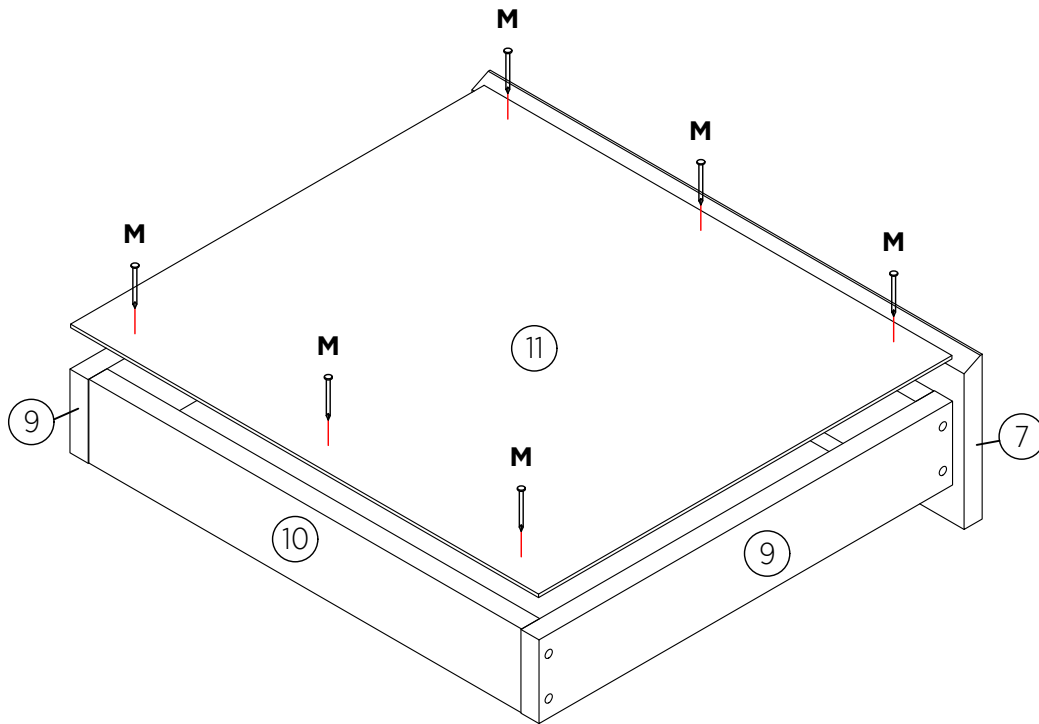
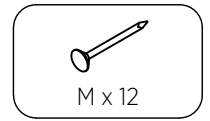
Fix parts 9 to parts 7, 8 and 10 using screws (H), as shown.



ASSEMBLY INSTRUCTIONS

STEP 8

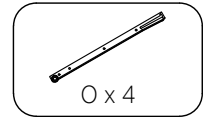
Fix parts 11 to parts 7, 8 and 10 using nails (M), as shown.



ASSEMBLY INSTRUCTIONS

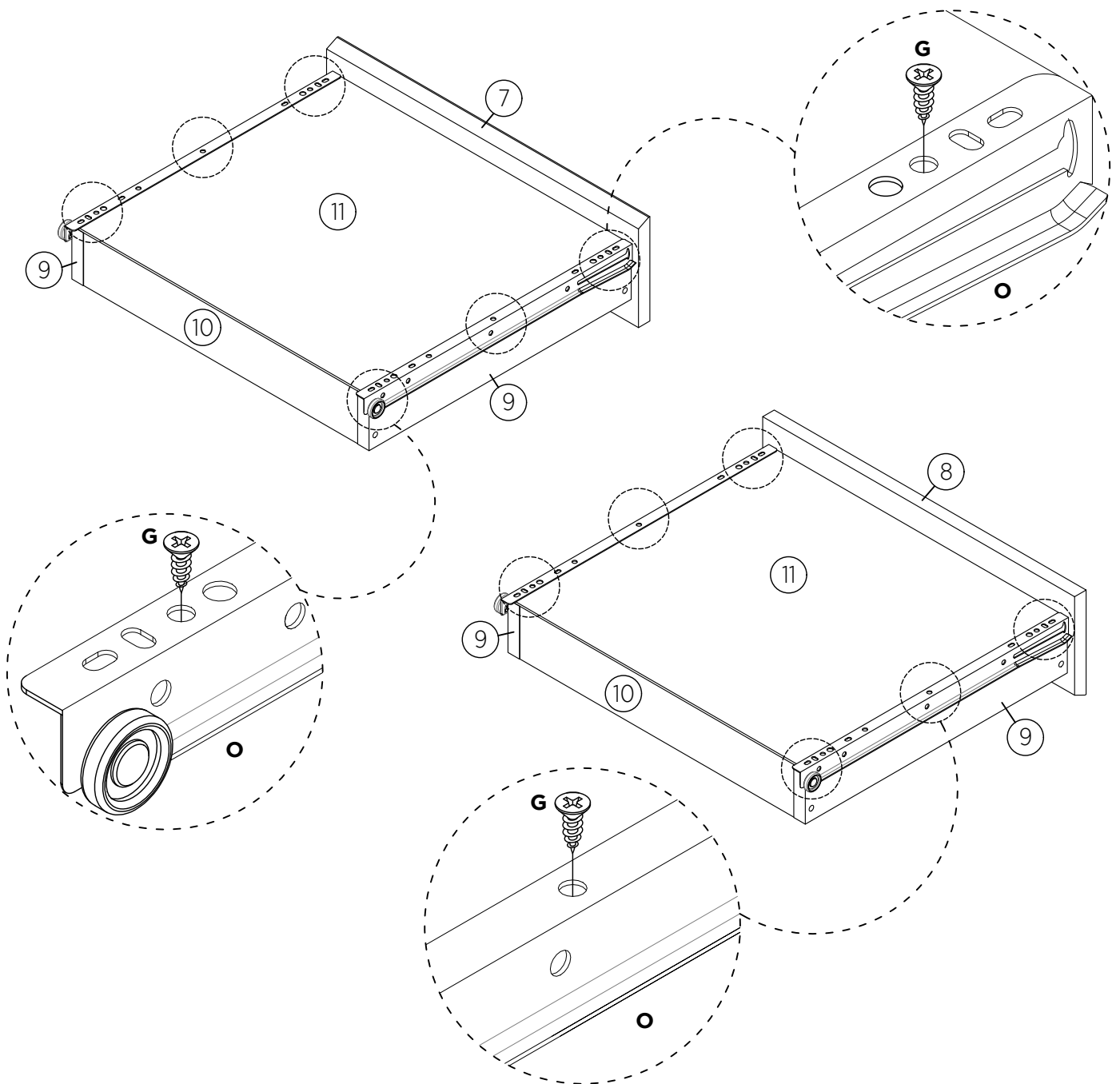
STEP 9

Fix inner drawer runners (O) to parts 11 using screws (G), as shown.



WARNING

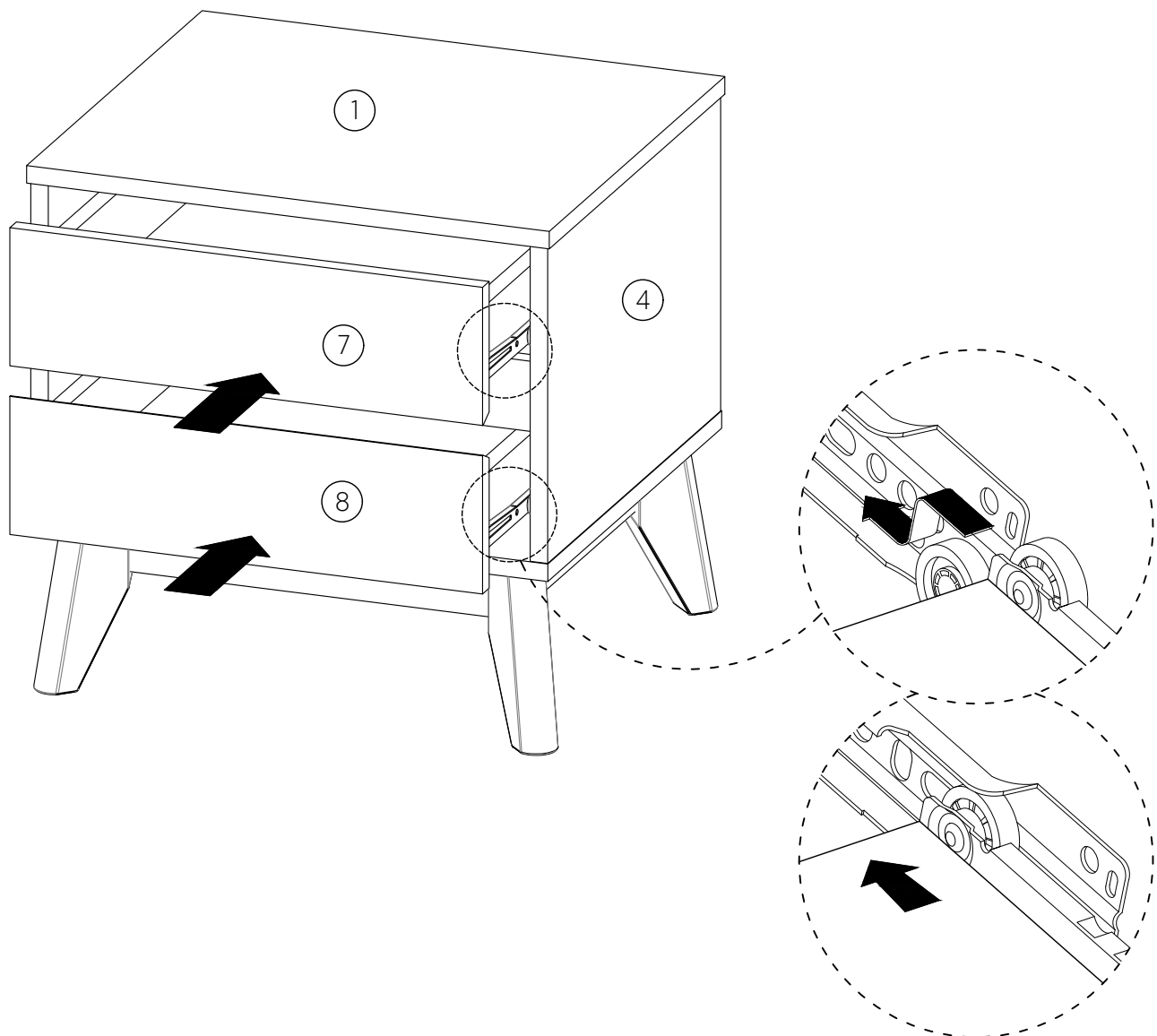
The most common cause of drawers being misaligned is at the drawer assembly and runner installation stage. Please ensure all instructions and screw hole positions are followed as indicated to avoid misaligned drawers.



ASSEMBLY INSTRUCTIONS

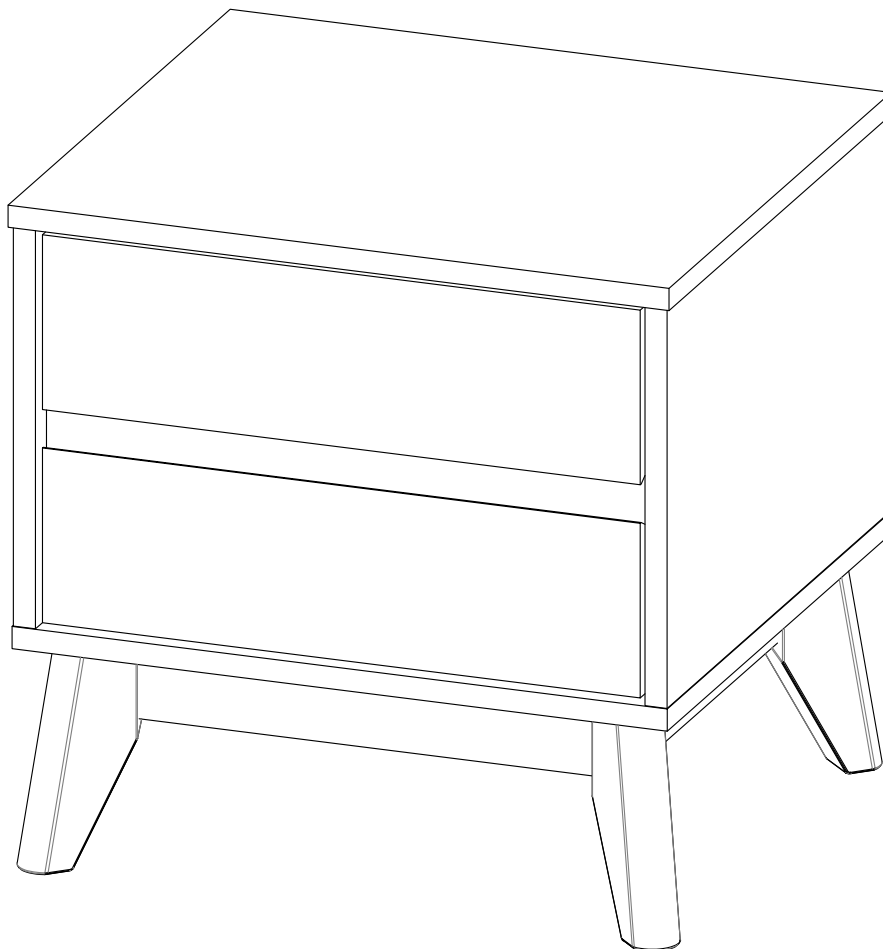
STEP 10

Fit drawer to assembled unit, as shown.



ASSEMBLY INSTRUCTIONS

STEP 11



Maximum recommended weight is 10 kg on top, 5 kg on each shelf.

Your product is ready for use.