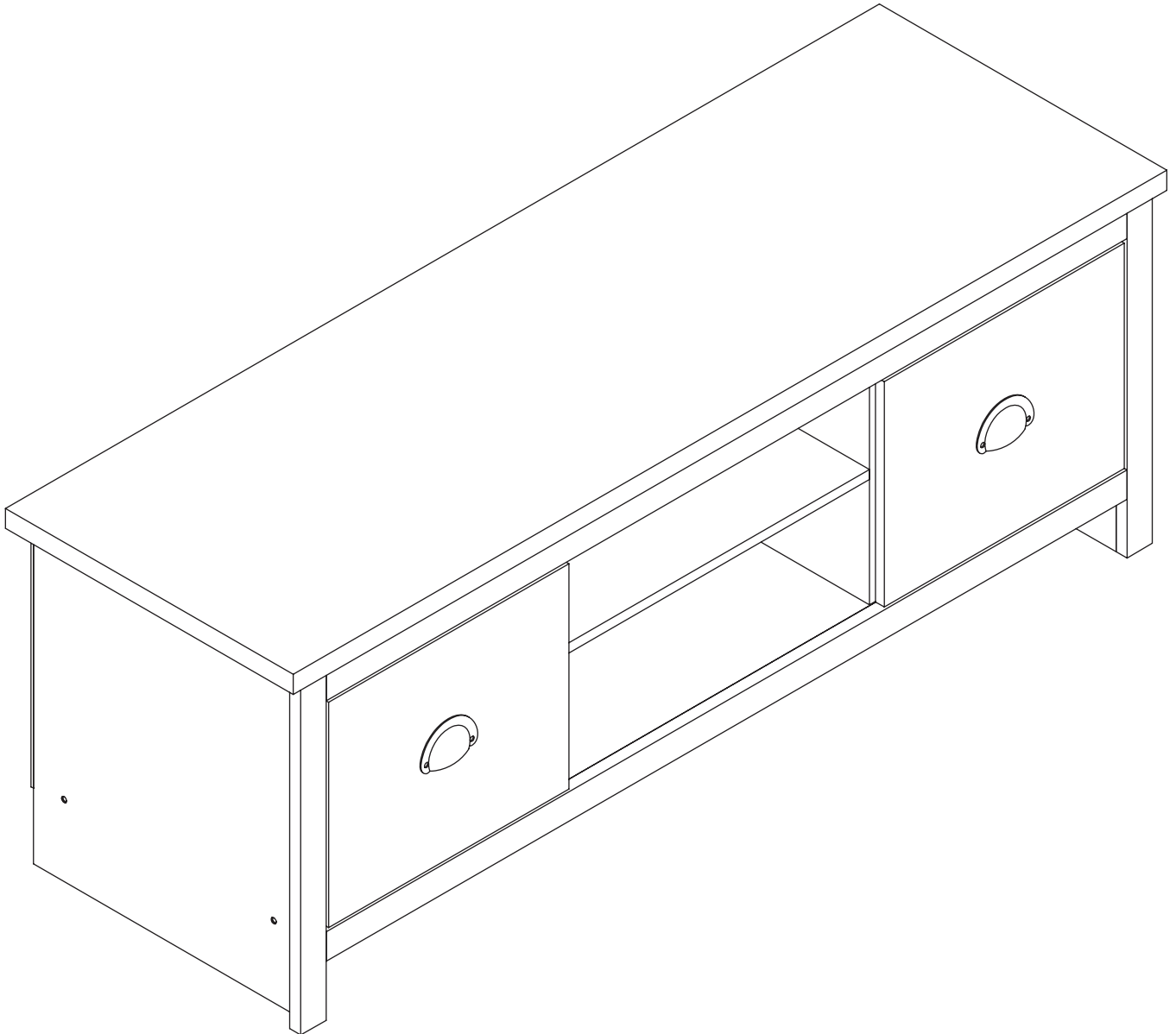


TV UNIT 2 DRAWERS

ASSEMBLY INSTRUCTIONS



TIPS BEFORE YOU START

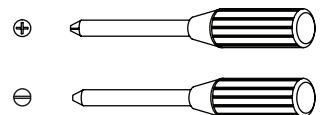
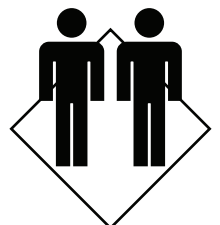
1. Please check that all parts are present before you start the assembly of your furniture.
2. For ease and speed of assembly, we recommend that before you commence each step of the assembly, that you identify all the parts required for that step.
3. For larger items, please ensure that you have sufficient space and people to assemble your product safely.
4. We recommend that, where possible, all items are assembled near to the area in which they will be placed in use, to avoid moving the product unnecessarily once assembled.
5. For the protection of your furniture, we recommend that the product is placed on a protected surface during assembly to prevent any damage.
6. During assembly please take care not to over-tighten any fittings, as this may damage the product. Do not use power tools.
7. Always place the product on a flat, steady and stable surface.
8. Do not stand on the product. Do not use the product as a stepladder.
9. This product is intended for indoor, household use only as it is a non-industrial product.
10. Please use caution and care when lifting the product to avoid personal injury and/or product damage.

CARE AND MAINTENANCE OF YOUR FURNITURE

- Please periodically check all fittings and re-tighten as necessary.
- To clean your item, please use a damp cloth and wipe clean.
- To clean glass, please use glass cleaner.
- Never allow any kind of liquid to remain on your furniture. Absorption can cause wood to warp or finishes to de-laminate.
- Please do not place hot items (eg. hot drinks) directly on to the surface.
- Please do not drag and pull your furniture.

ASSEMBLY REQUIREMENTS

- Equipment: phillips head screwdriver, flat head screwdriver and hammer
- 2 x adults required
- 2m x 2m assembly space required
- 1.5 hour assembly time approx.



ANTI-TOPPLING WARNING

CHILDREN HAVE DIED FROM FURNITURE TIPOVER.

- **ALWAYS** secure this furniture with an anchor device
- **NEVER** allow children to stand, climb or hang on drawers, doors or shelves
- **NEVER** open more than one drawer at a time
- **ALWAYS** secure your television to this furniture with an anchor device or mount the television on a wall

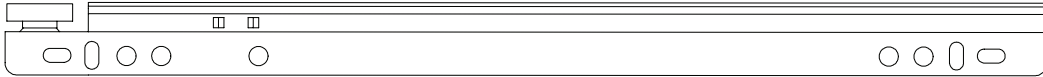
For more information, visit <https://www.productsafety.gov.au>

 WARNING	
	
<p>Children have died from furniture tipover.</p> <ul style="list-style-type: none">• NEVER allow children to stand, climb or hang on drawers, doors, or shelves.• ALWAYS secure your television with an anchor device or mount the television on a wall.	

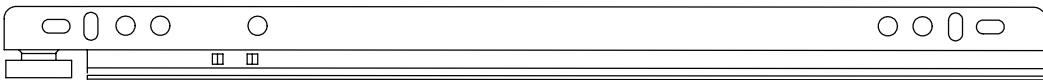
DRAWER SLIDE GUIDE

Your pack will contain two sets of Metal Drawer Slides. These are bundled together with adhesive tape. The set comprises of 4 components. Undo the tape on one set at a time and separate the parts.

Inner Drawer Runner Left (K)

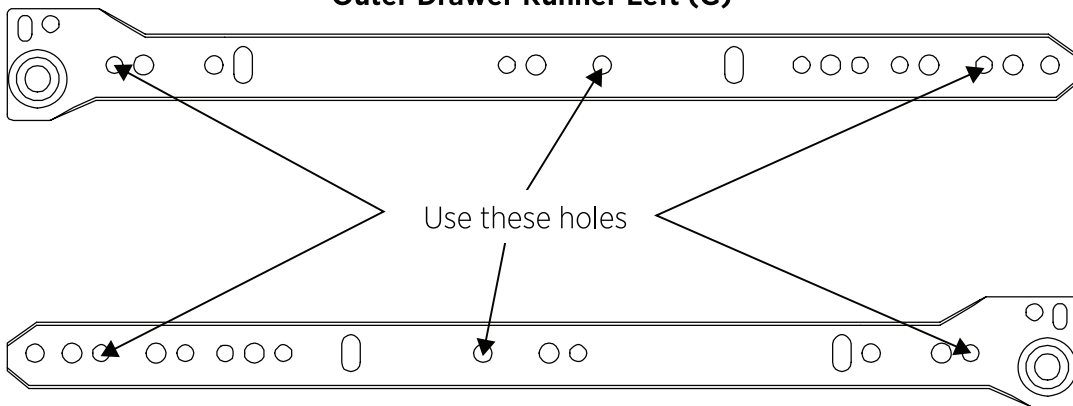


Inner Drawer Runner Right (L)



The Drawer Slide components shown above are attached to the **drawers**. They have the letters **DL** or **DR** stamped on them to indicate left hand or right hand components. Put these parts aside for attaching to the drawer later.

Outer Drawer Runner Left (G)



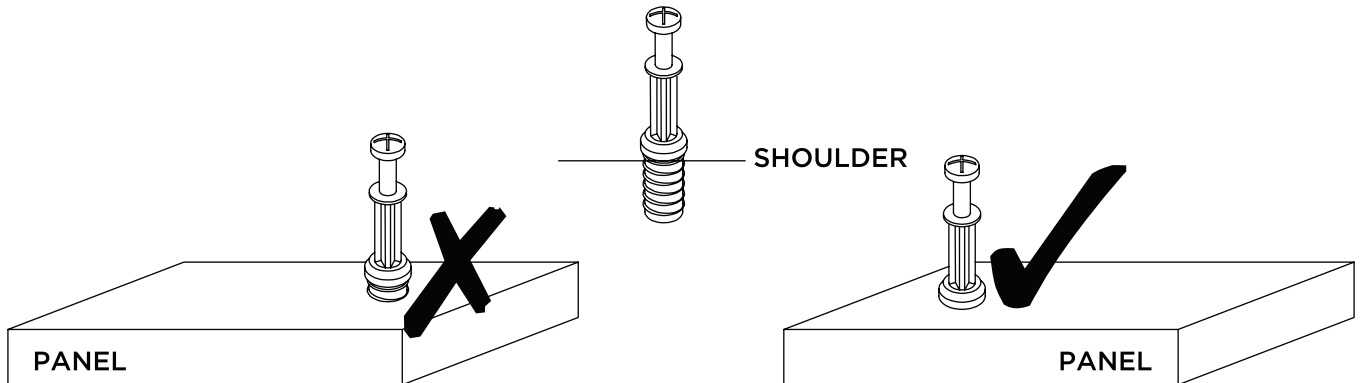
Outer Drawer Runner Right (H)

The Drawer Slide components shown above are attached to the **TV unit**. They have the letters **CL** or **CR** stamped on them to indicate left hand or right hand components. You will need these for step step 3, 4, 17 and 18.

USING CAM LOCK AND QUICKFIT

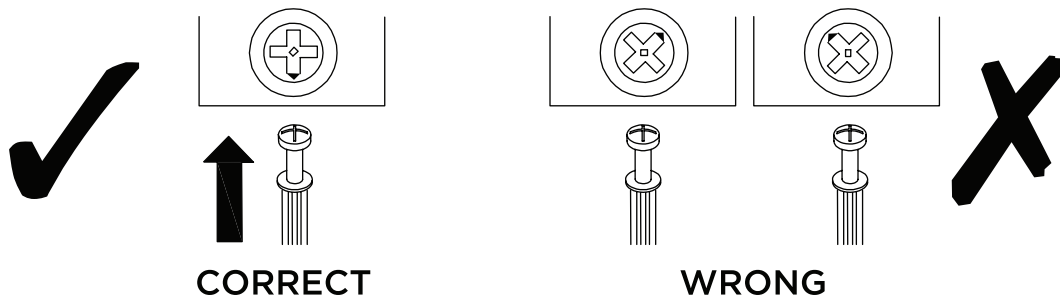
QUICKFIT

Tighten quickfit until shoulder is flush with panel. Do not overtighten or undertighten.



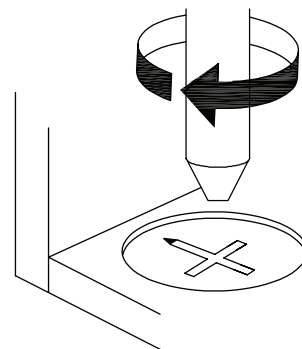
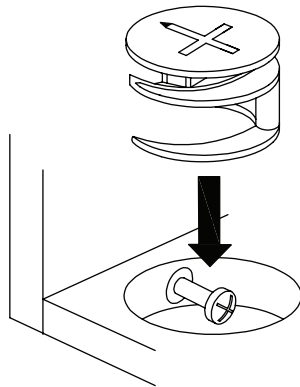
CAM LOCK

When fitting cam lock, ensure starting position is correct before you insert connecting quickfit.

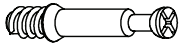


Quickfit head should be in the centre of the cam lock when the two panels are joined.
Cam lock should be inserted before quickfit.

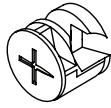
Turn cam lock clockwise to tighten.



HARDWARE LIST



24 x A
Quickfit Screw



24 x B
Cam Lock



4 x C
Screw



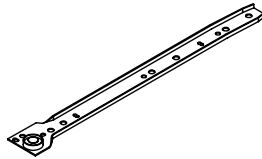
6 x D
Wooden Dowel



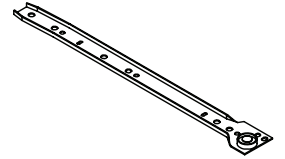
24 x E
Screw



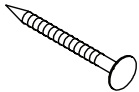
4 x F
Cap Sticker



2 x G
Inner Drawer Runner



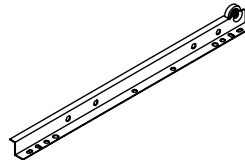
2 x H
Inner Drawer Runner



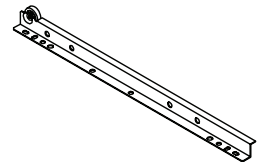
18 x I
Nail



20 x J
Screw



2 x K
Outer Drawer Runner

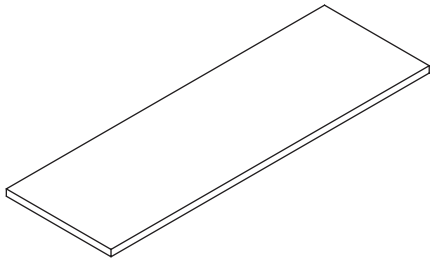


2 x L
Outer Drawer Runner

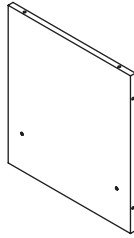


2 x M
Handle

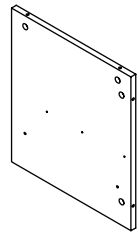
PARTS LIST



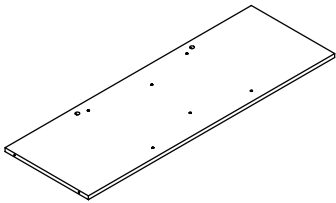
1
1 PC



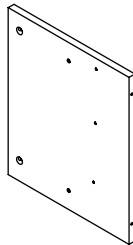
2
1 PC



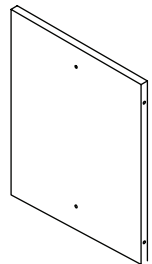
3
1 PC



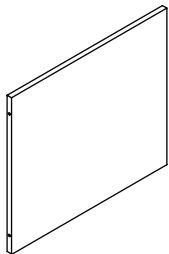
4
1 PC



5
1 PC



6
1 PC



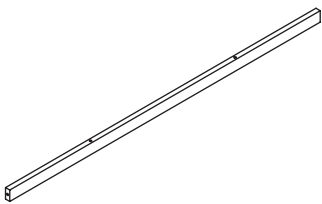
7
1 PC



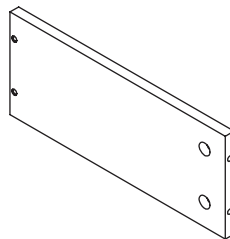
8
1 PC



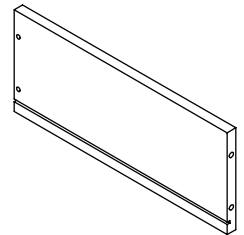
9
1 PC



10
1 PC

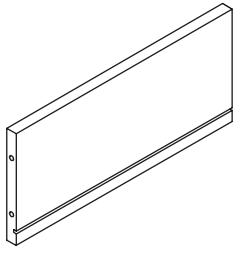


11
2 PCS

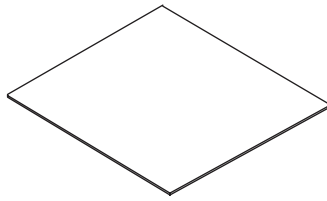


12
2 PCS

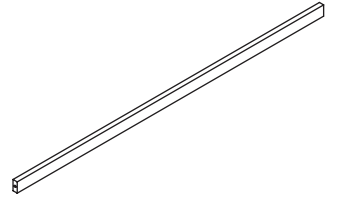
PARTS LIST



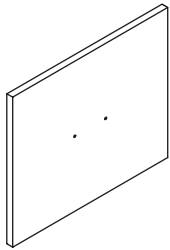
13
2 PCS



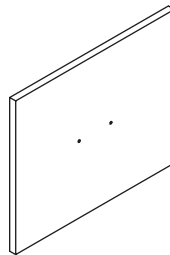
14
2 PCS



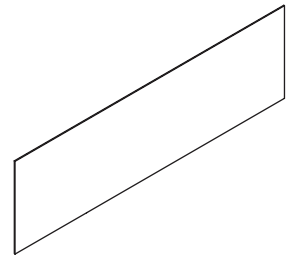
15
1 PC



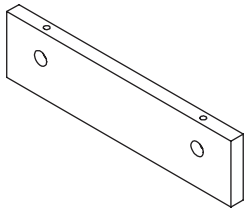
16
1 PC



17
1 PC



18
1 PC

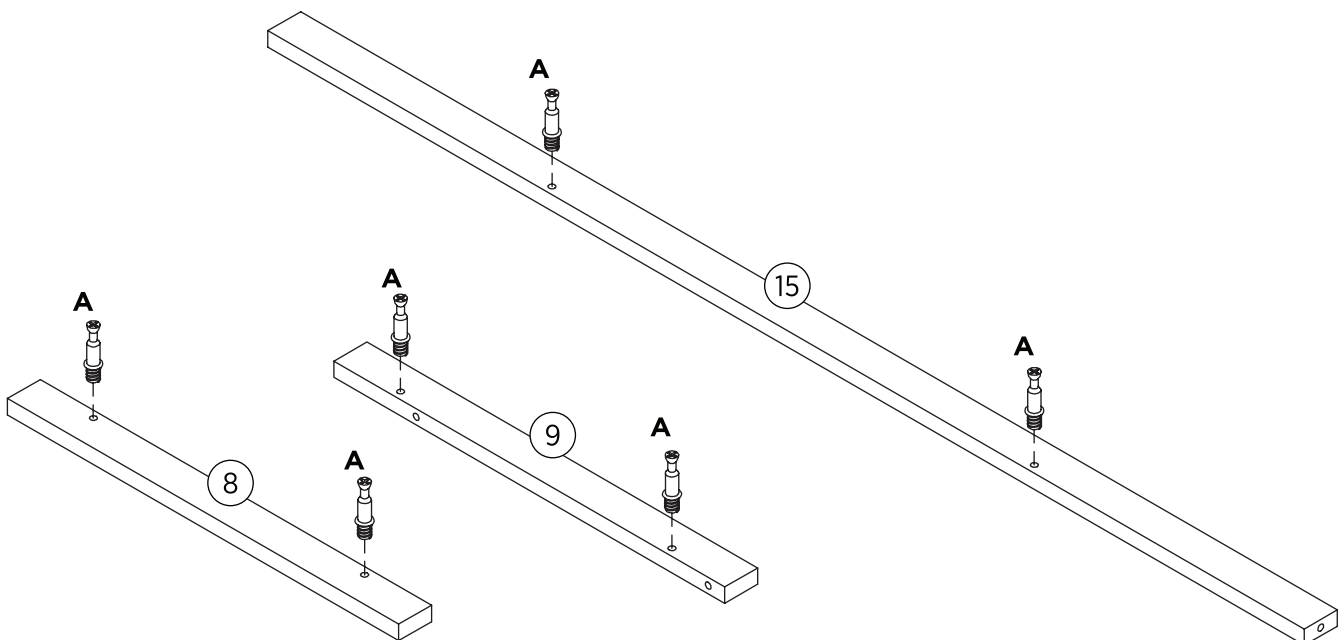
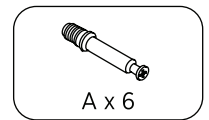


19
1 PC

ASSEMBLY INSTRUCTIONS

STEP 1

Insert quickfit screws (A) to part 8, 9 and 15, as shown.



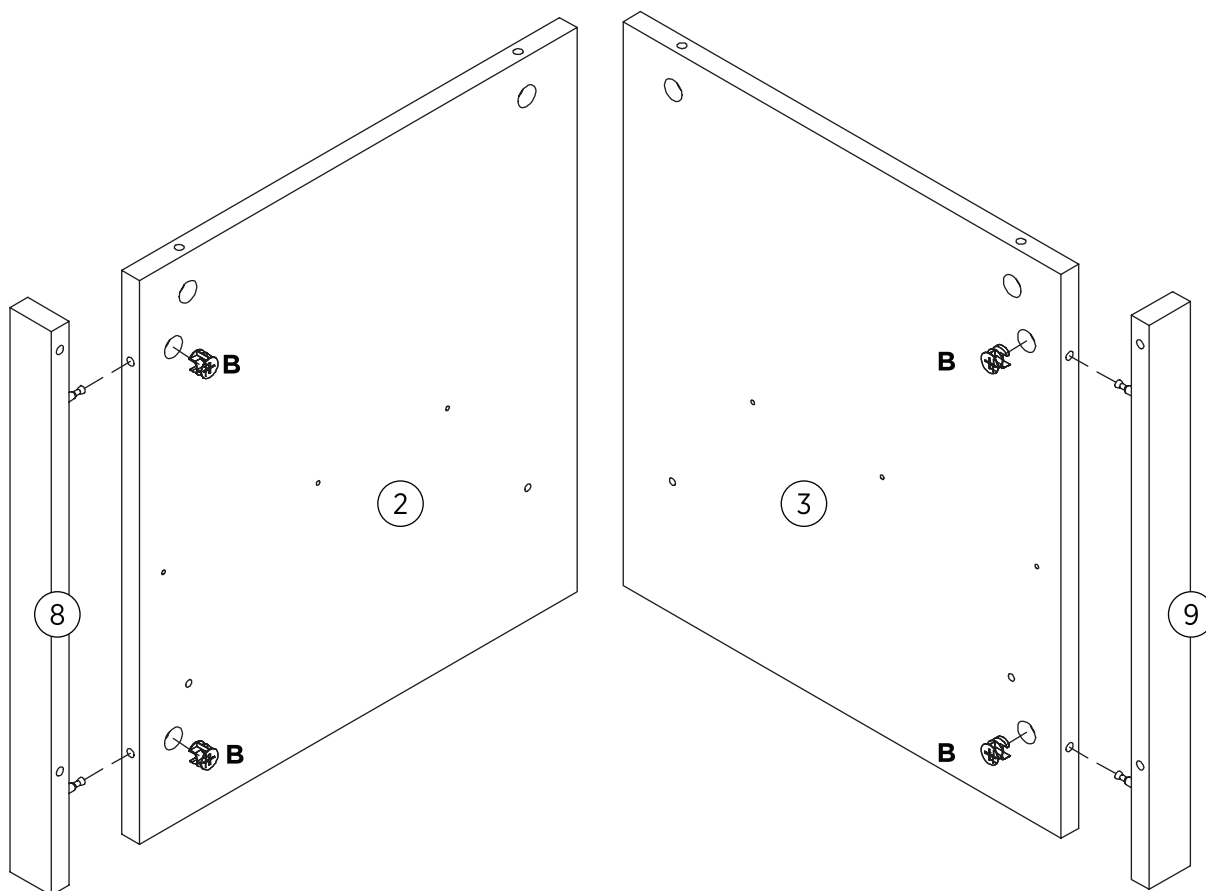
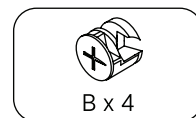
ASSEMBLY INSTRUCTIONS

STEP 2

Insert cam locks (B) to parts 2 and 3.

Attach parts 8 and 9 to parts 2 and 3, as shown.

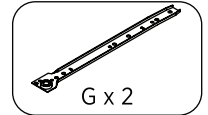
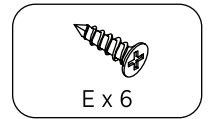
Turn cam locks clockwise to tighten..



ASSEMBLY INSTRUCTIONS

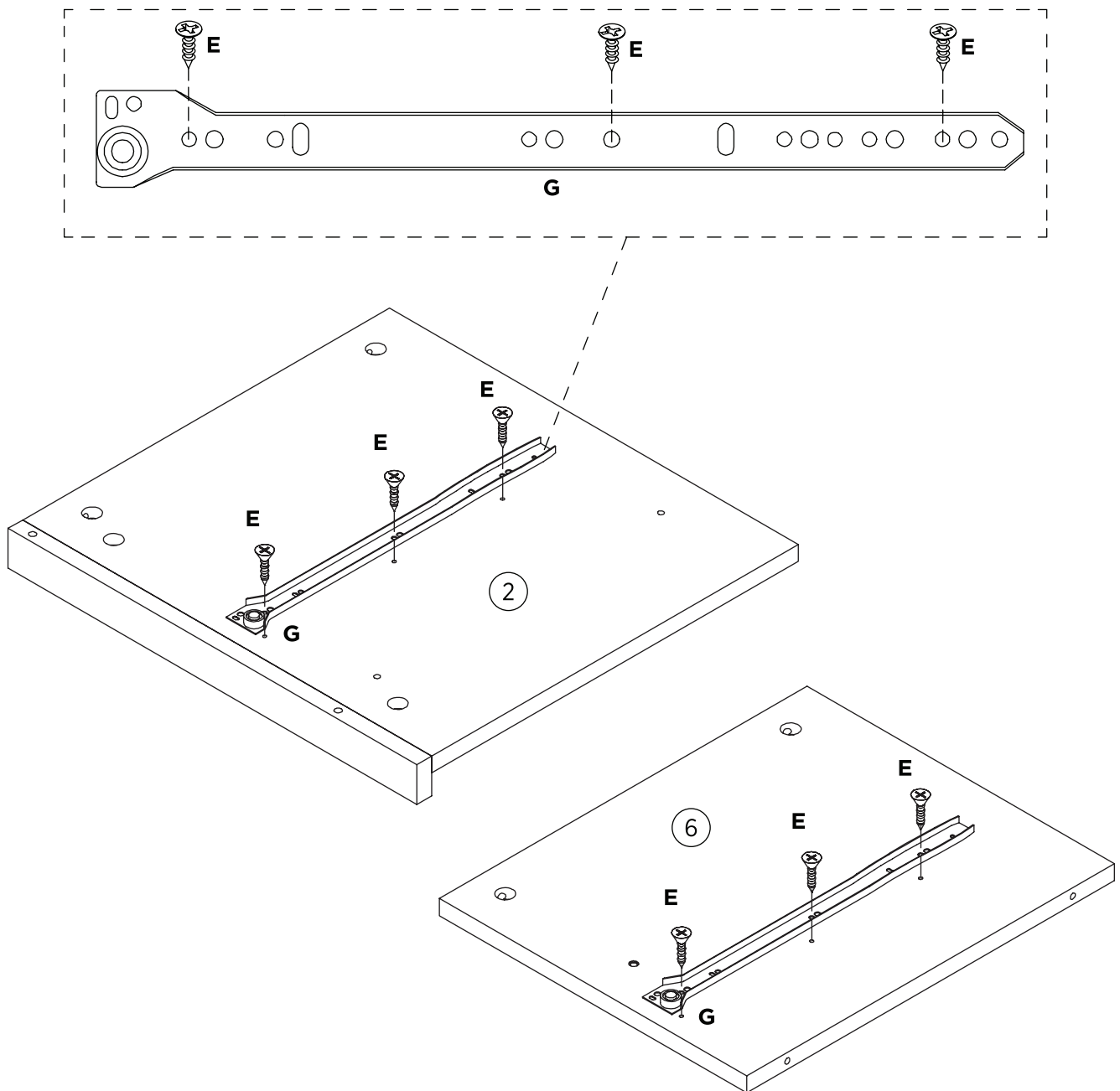
STEP 3

Fix outer drawer runners (G) to part 2 and 6 using screws (E), as shown.



WARNING

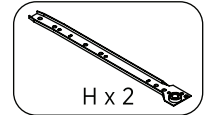
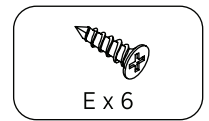
The most common cause of drawers being misaligned is at the drawer assembly and runner installation stage. Please ensure all instructions and screw hole positions are followed as indicated to avoid misaligned drawers.



ASSEMBLY INSTRUCTIONS

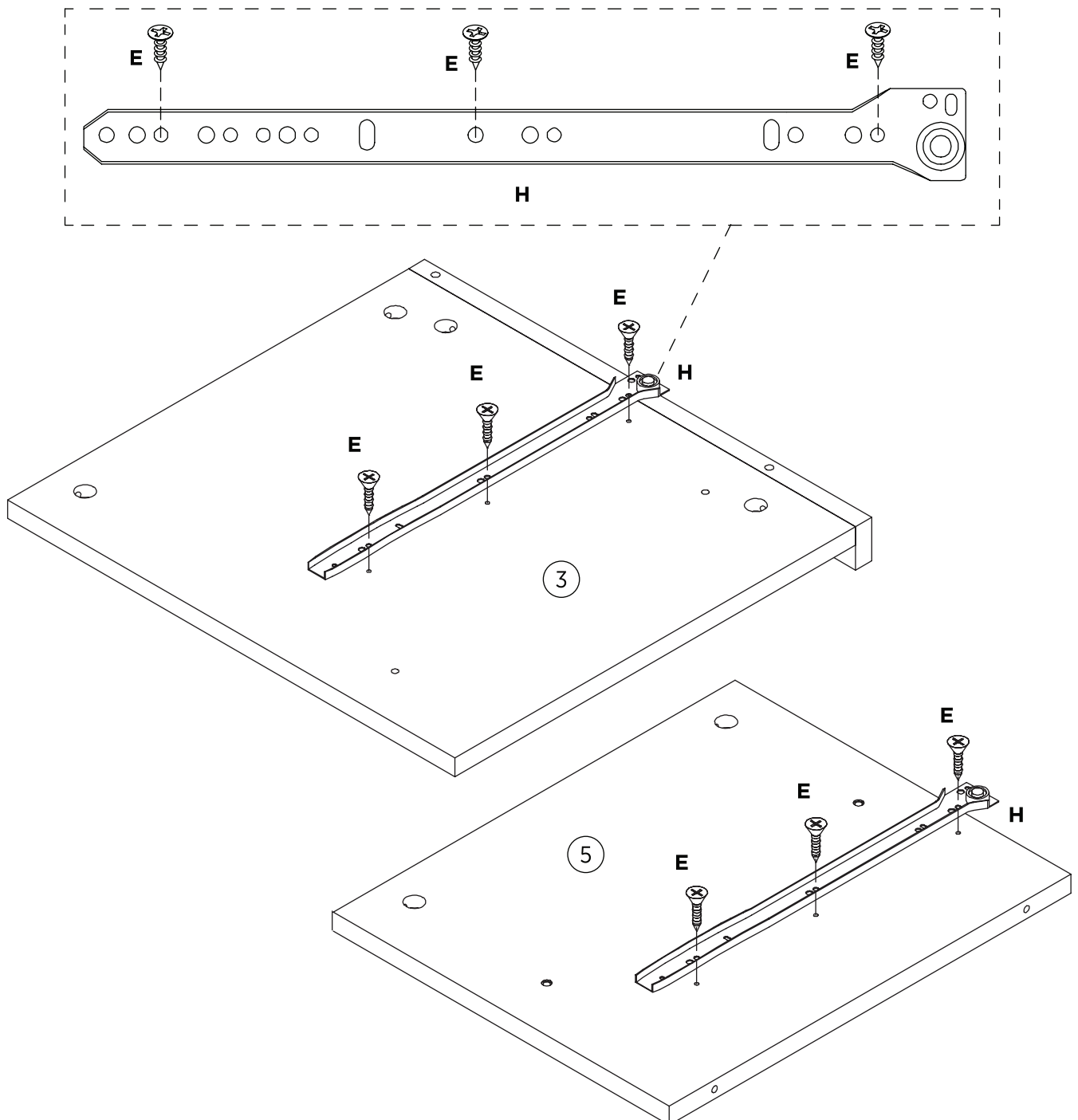
STEP 4

Fix outer drawer runners (H) to part 3 and 5 using screws (E), as shown.



WARNING

The most common cause of drawers being misaligned is at the drawer assembly and runner installation stage. Please ensure all instructions and screw hole positions are followed as indicated to avoid misaligned drawers.



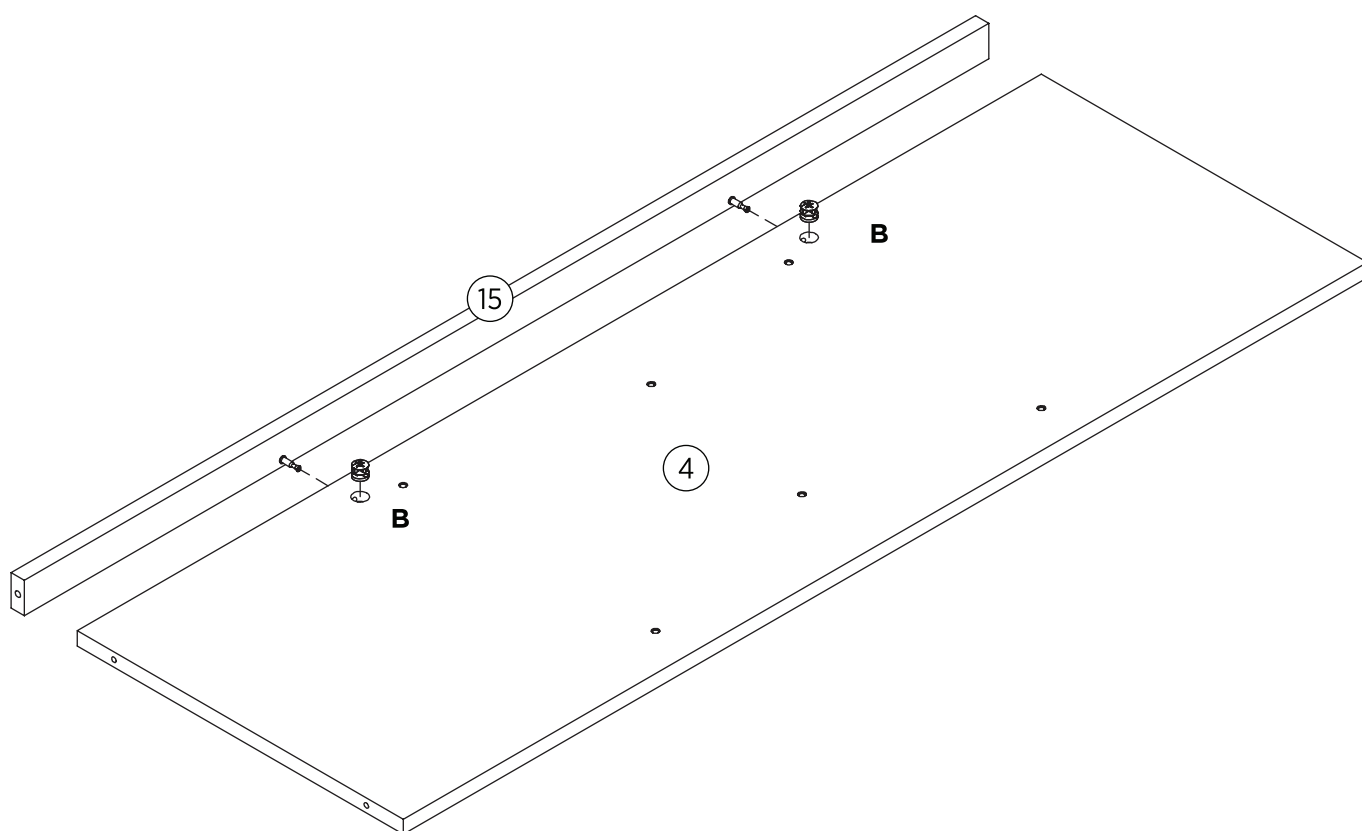
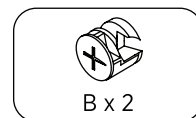
ASSEMBLY INSTRUCTIONS

STEP 5

Insert cam locks (B) to part 4.

Attach part 15 to part 4 as shown.

Turn cam locks clockwise to tighten.

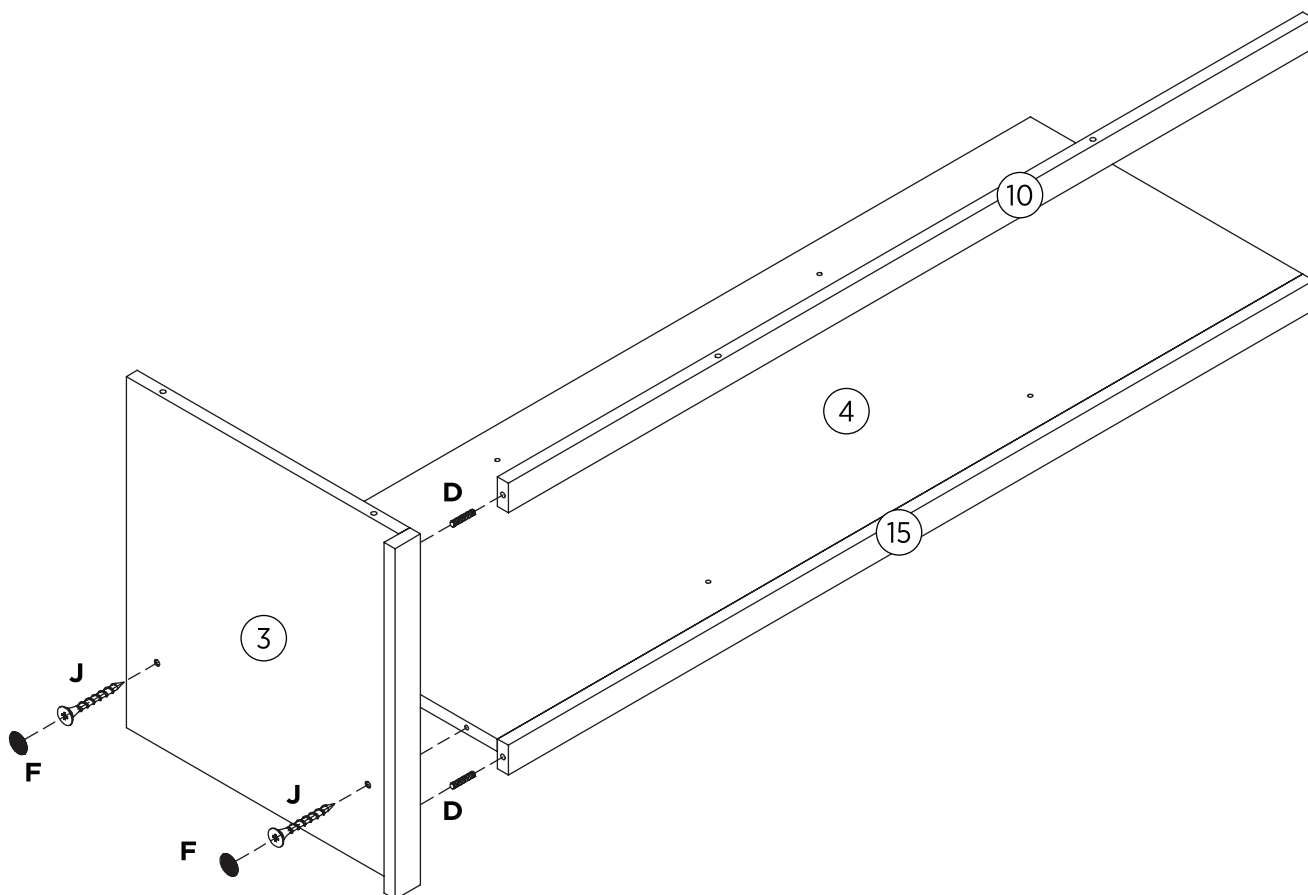
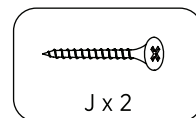
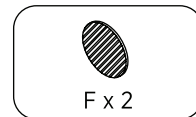
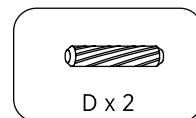


ASSEMBLY INSTRUCTIONS

STEP 6

Insert wooden dowels to parts 10 and 15.

Fix part 2 to parts 4, 10 and 15 using screws (J) and attach sticker (F), as shown.

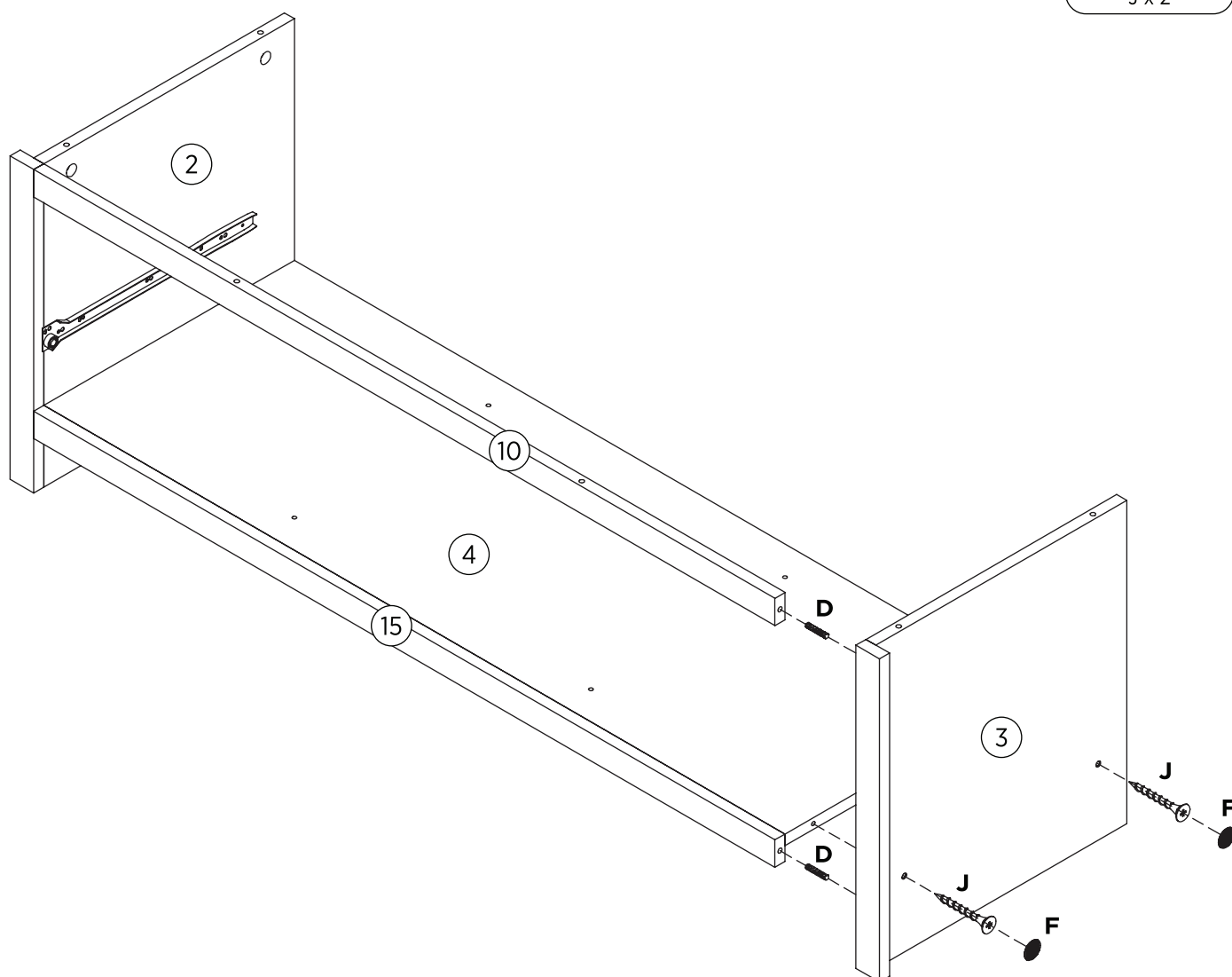
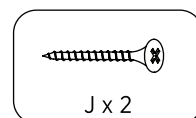
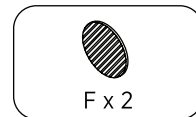
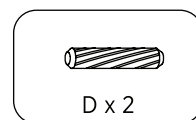


ASSEMBLY INSTRUCTIONS

STEP 7

Insert wooden dowels to parts 10 and 15.

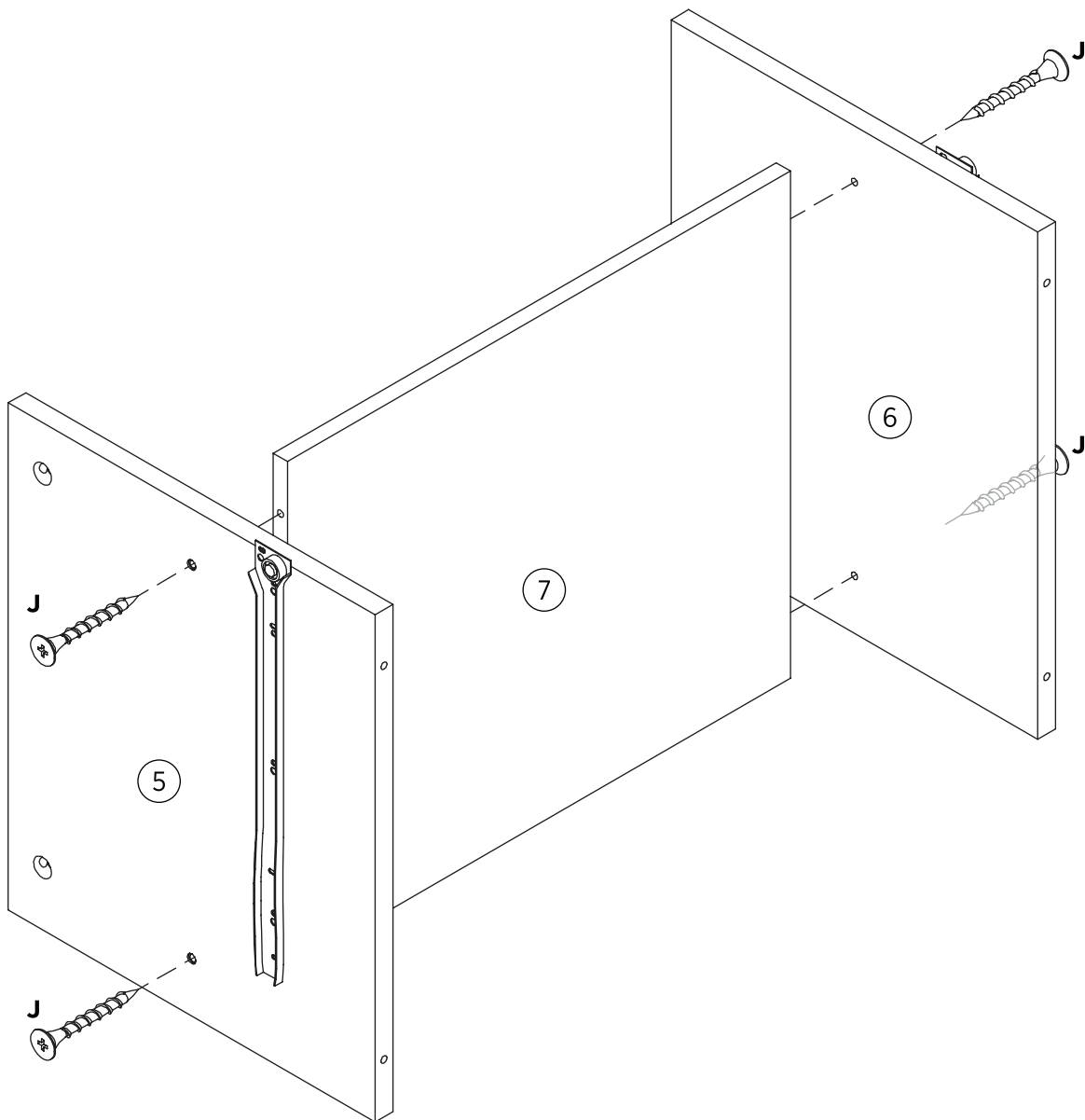
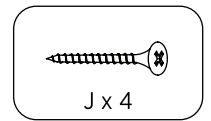
Fix part 3 to parts 4, 10 and 15 using screws (J) and attach cover sticker (F), as shown.



ASSEMBLY INSTRUCTIONS

STEP 8

Fix parts 5 and 6 to part 7 using screws (J), as shown.



ASSEMBLY INSTRUCTIONS

STEP 9

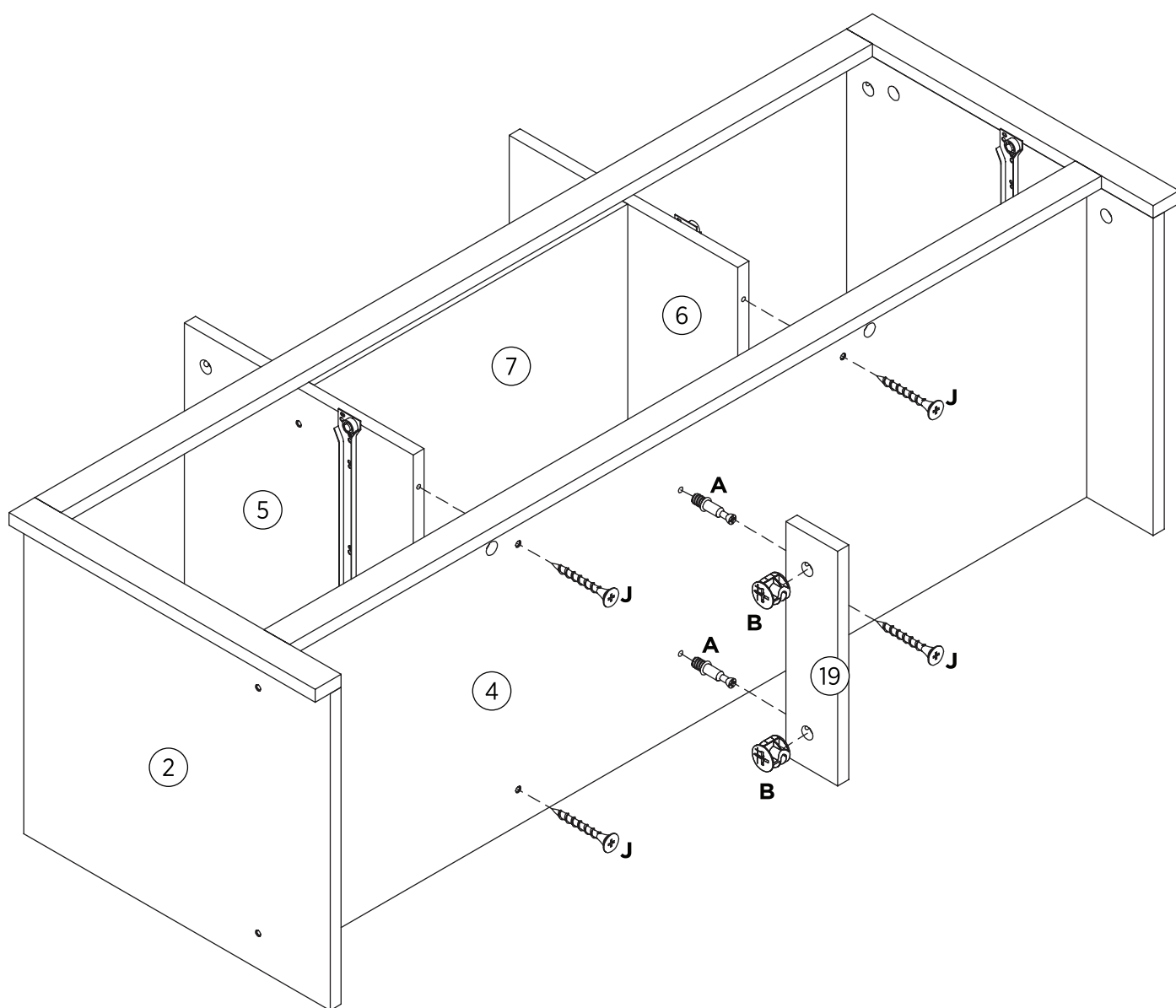
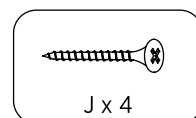
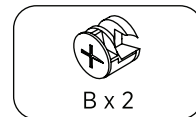
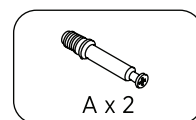
Fix parts 5, 6 and 7 to part 4 using screws (J).

Insert cam locks (B) to part 19.

Insert quickfit screws (A) to part 4.

Attach part 19 to part 4, as shown.

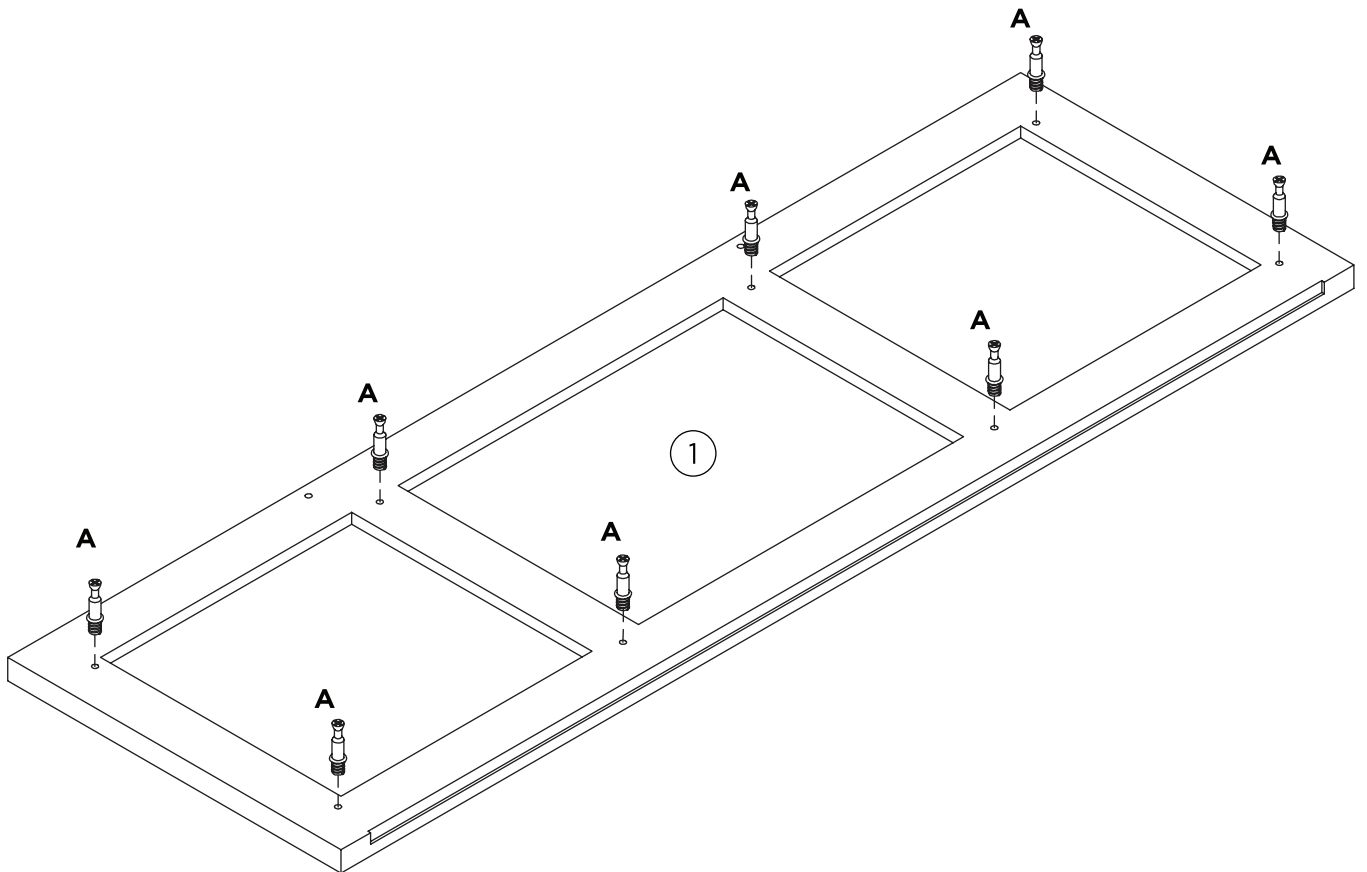
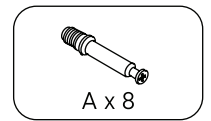
Turn cam locks clockwise to tighten.



ASSEMBLY INSTRUCTIONS

STEP 10

Insert quickfit screws (A) to part 8, 9, 10 and 11, as shown.



ASSEMBLY INSTRUCTIONS

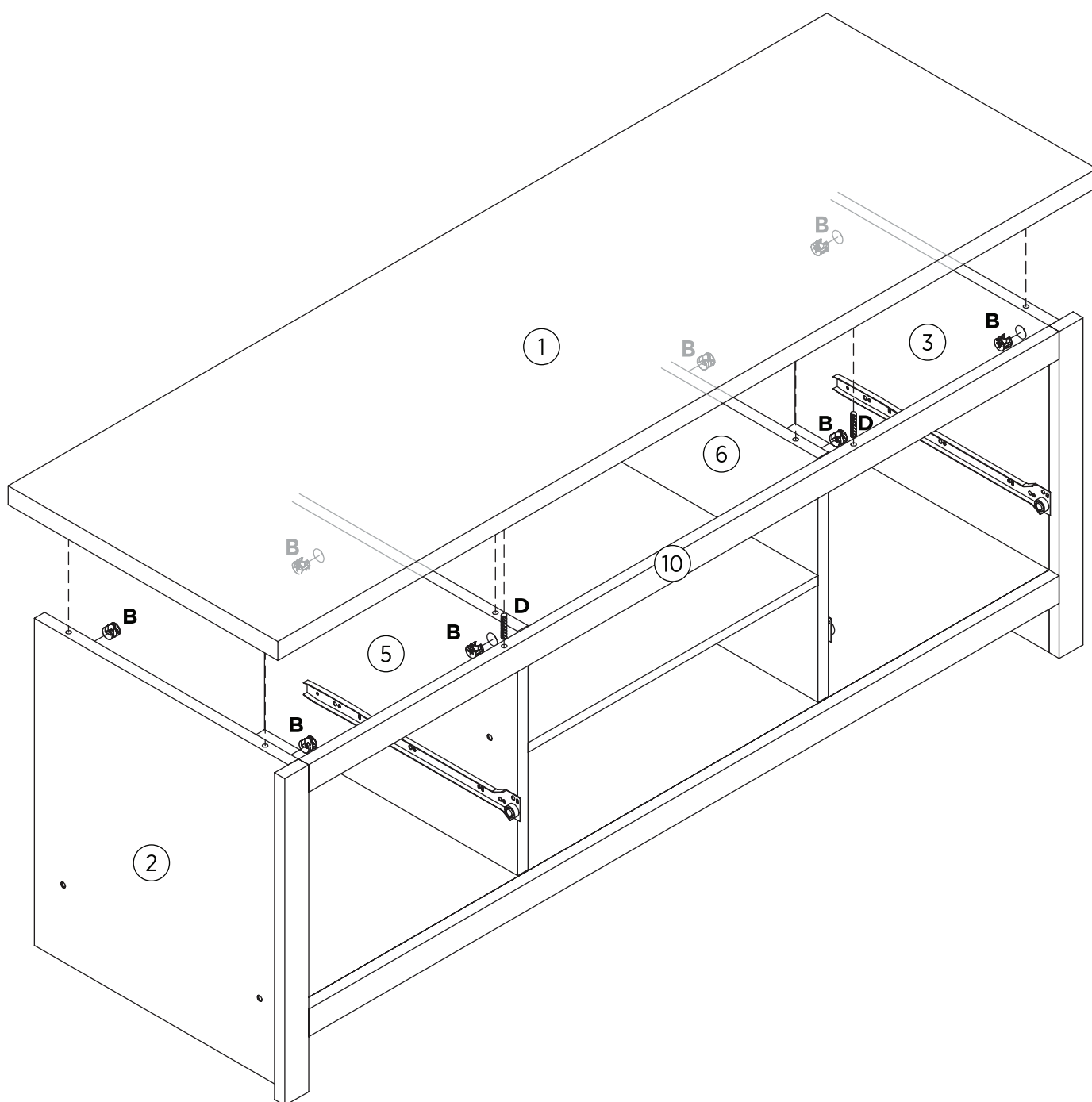
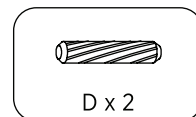
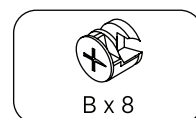
STEP 11

Insert cam locks to parts 2, 3, 5 and 6.

Insert wooden dowels to part 10.

Attach part 1 to assembled unit, as shown.

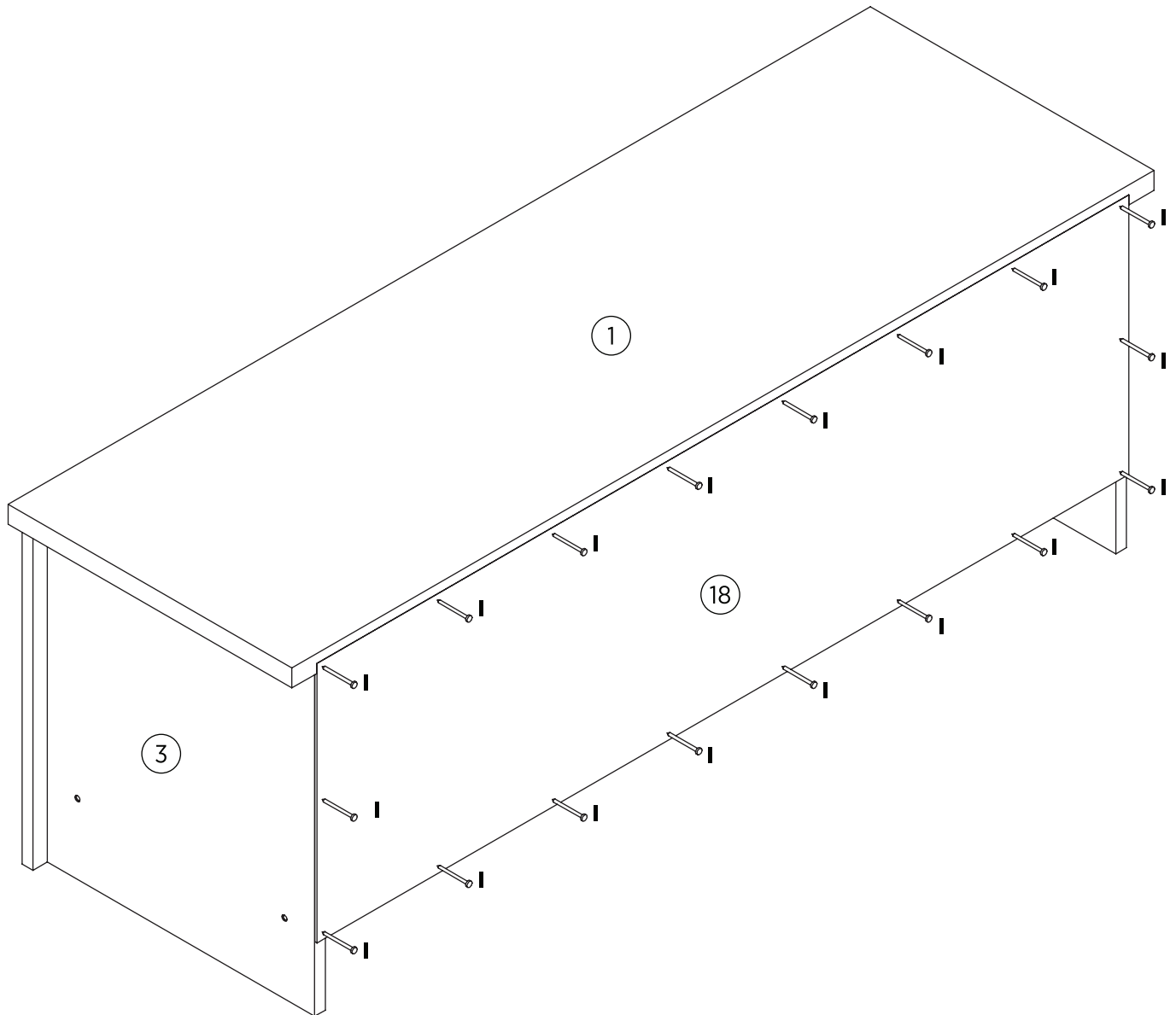
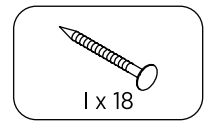
Turn cam locks clockwise to tighten.



ASSEMBLY INSTRUCTIONS

STEP 12

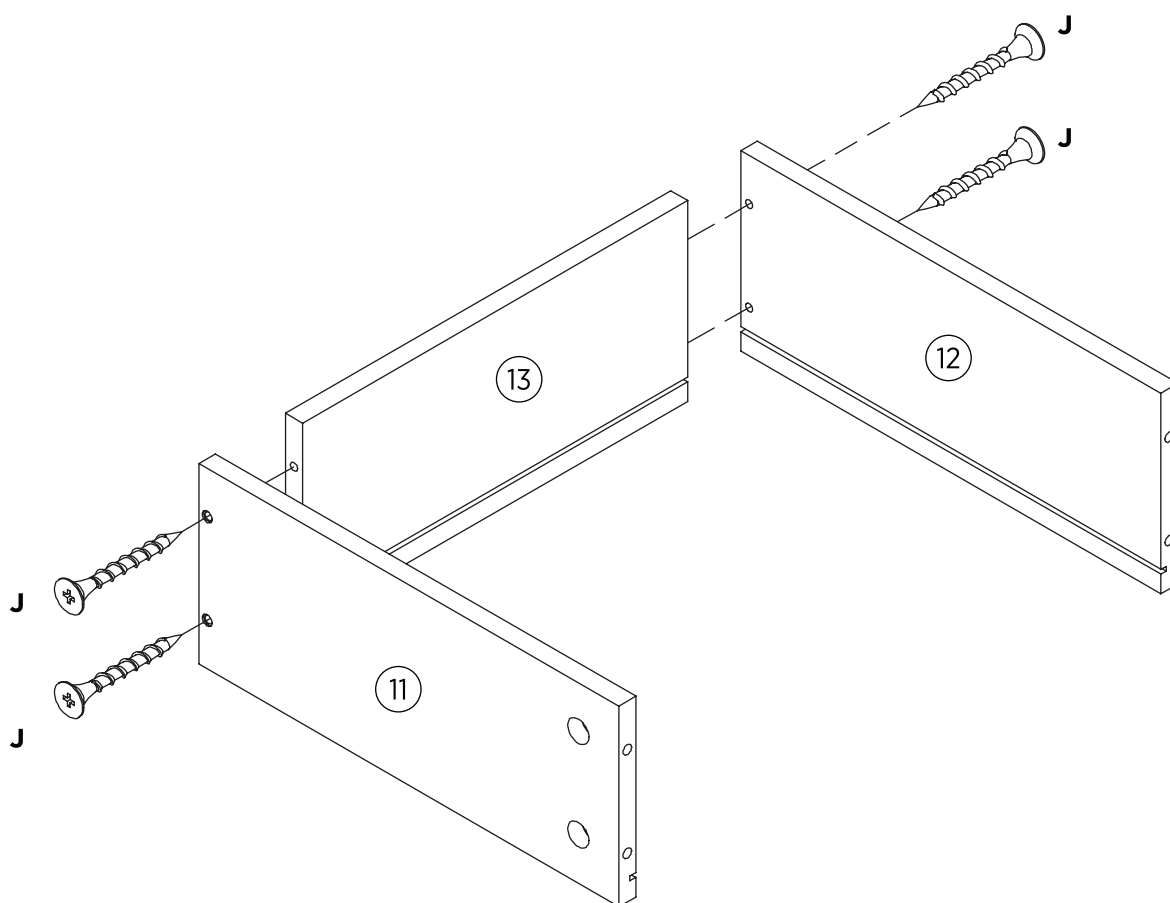
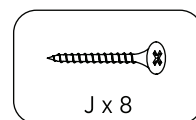
Fix part 18 to assembled unit using nails (I), as shown.



ASSEMBLY INSTRUCTIONS

STEP 13

Fix parts 11 and 12 to part 13 using screws (J), as shown.

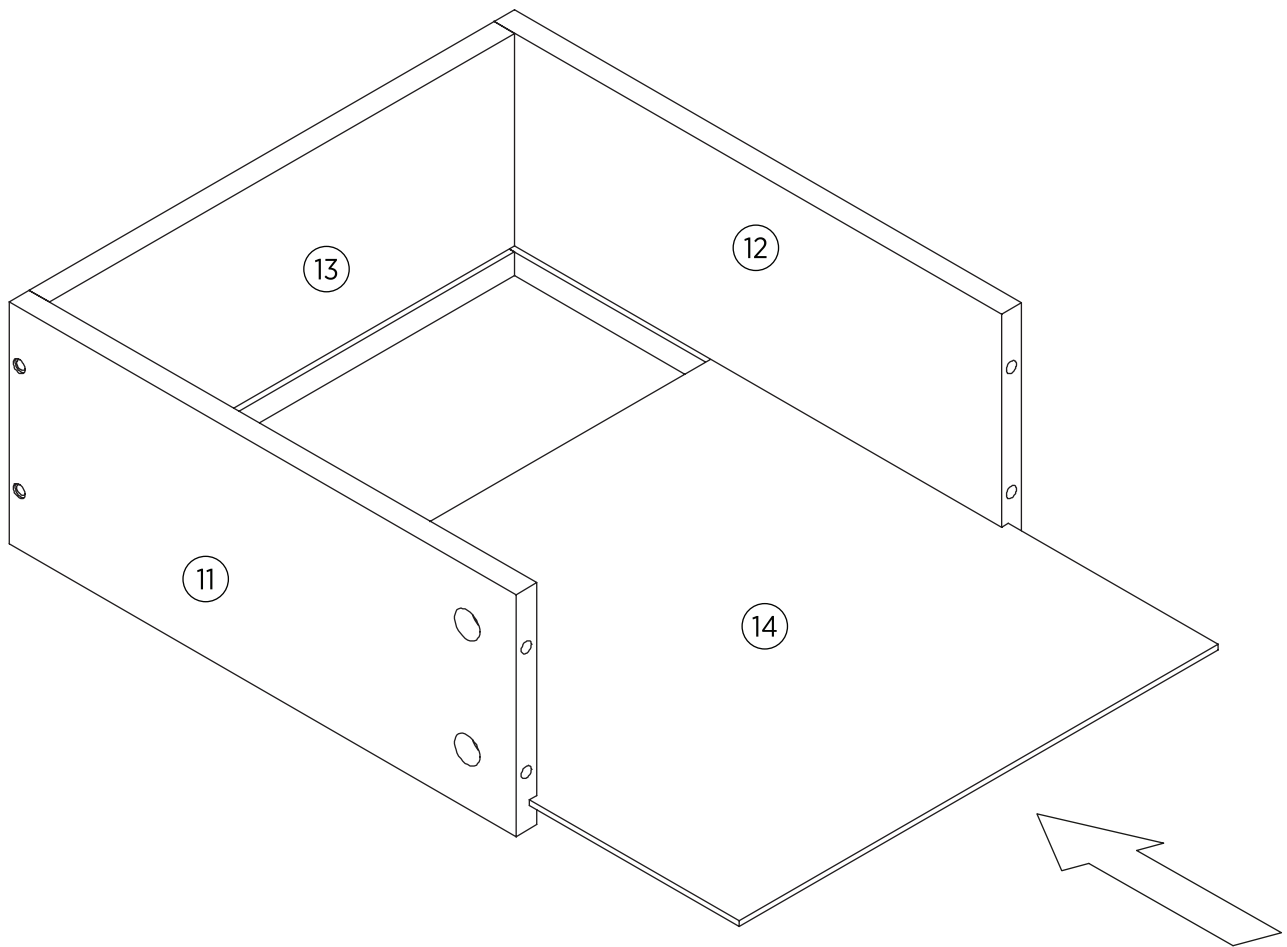


x2

ASSEMBLY INSTRUCTIONS

STEP 14

Insert part 14 into grooves between parts 11, 12 and 13, as shown.

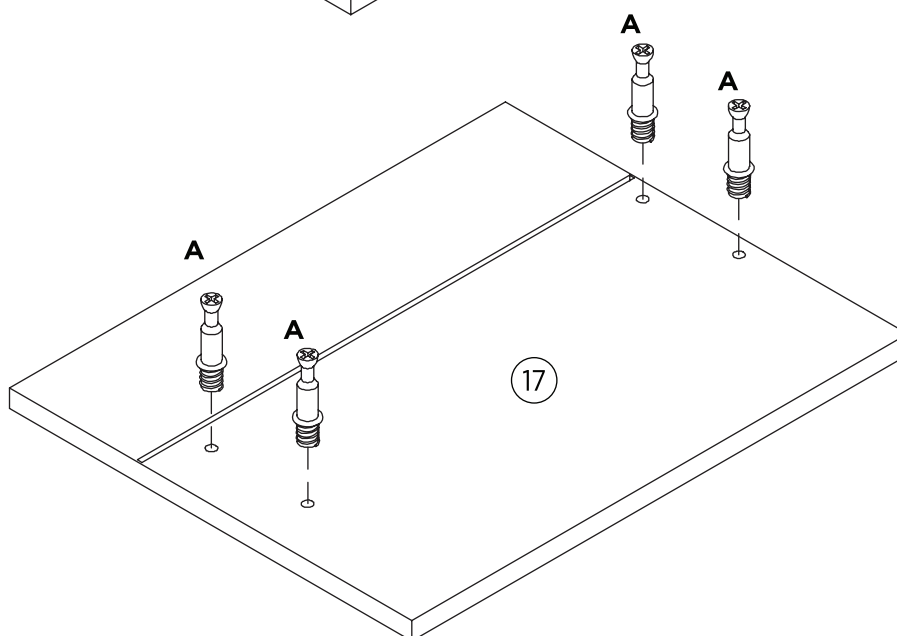
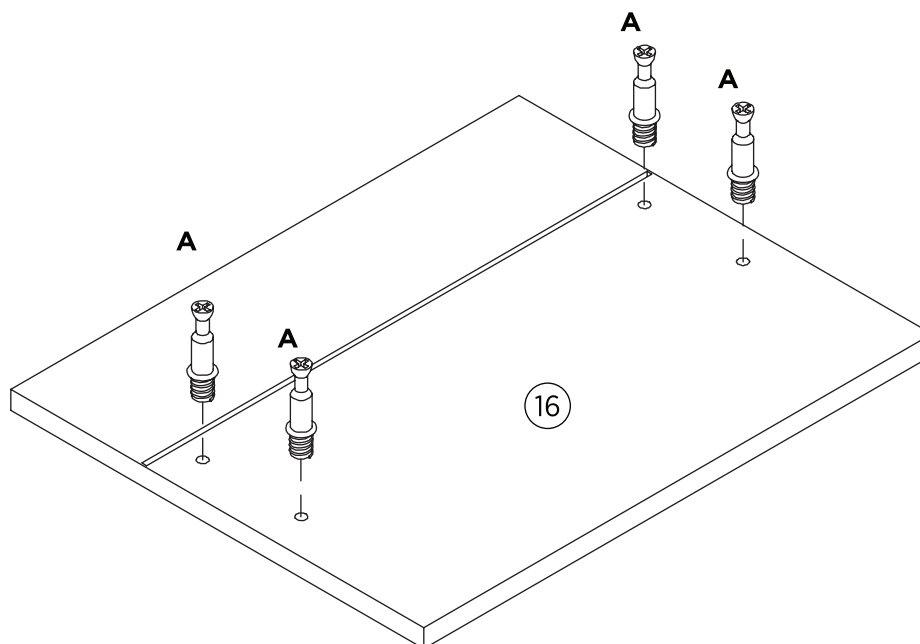
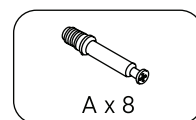


x2

ASSEMBLY INSTRUCTIONS

STEP 15

Insert quickfit screws (A) to parts 16 and 17, as shown.



ASSEMBLY INSTRUCTIONS

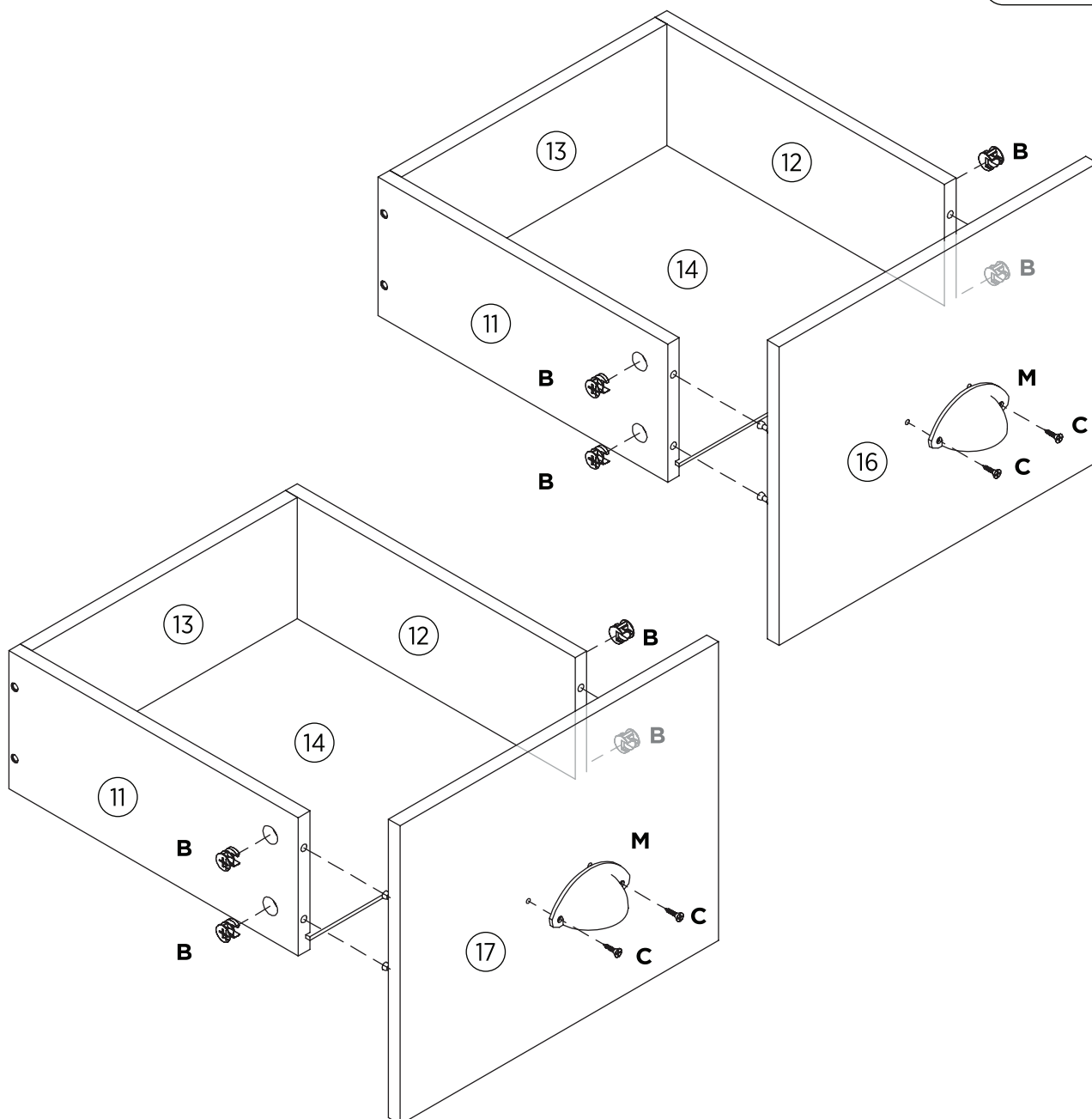
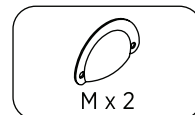
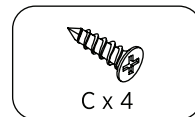
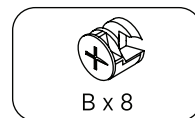
STEP 16

Insert cam locks (B) to parts 11 and 12.

Attach parts 16 and 17 to assembled drawers.

Fix handles (M) to parts 16 and 17 using screws (C), as shown.

Turn cam locks clockwise to tighten.



ASSEMBLY INSTRUCTIONS

STEP 17

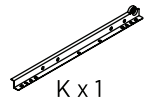
Fix inner drawer runners (K) and (L) to parts 11 and 12 using screws (E), as shown.

WARNING

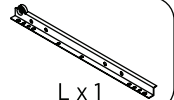
The most common cause of drawers being misaligned is at the drawer assembly and runner installation stage. Please ensure all instructions and screw hole positions are followed as indicated to avoid misaligned drawers.



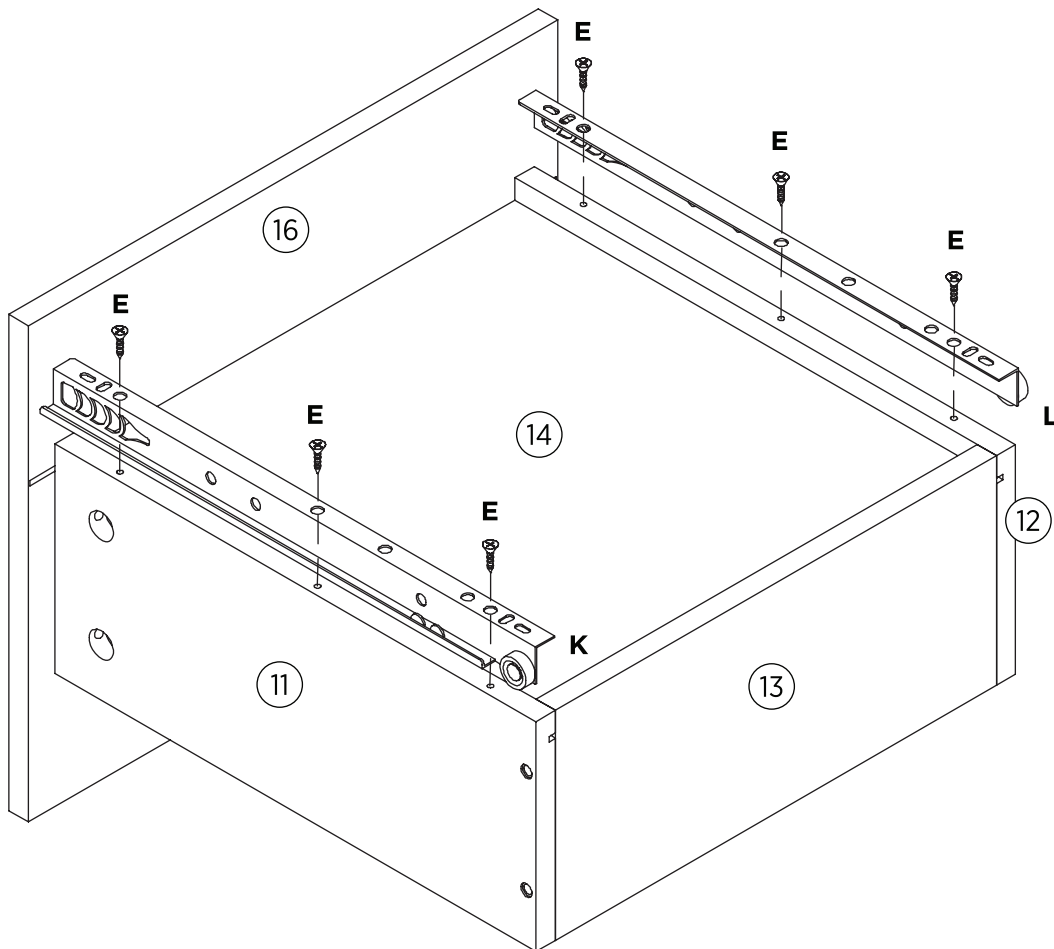
E x 6



K x 1



L x 1



ASSEMBLY INSTRUCTIONS

STEP 18

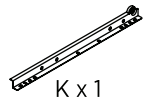
Fix inner drawer runners (K) and (L) to parts 11 and 12 using screws (E), as shown.

WARNING

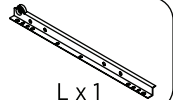
The most common cause of drawers being misaligned is at the drawer assembly and runner installation stage. Please ensure all instructions and screw hole positions are followed as indicated to avoid misaligned drawers.



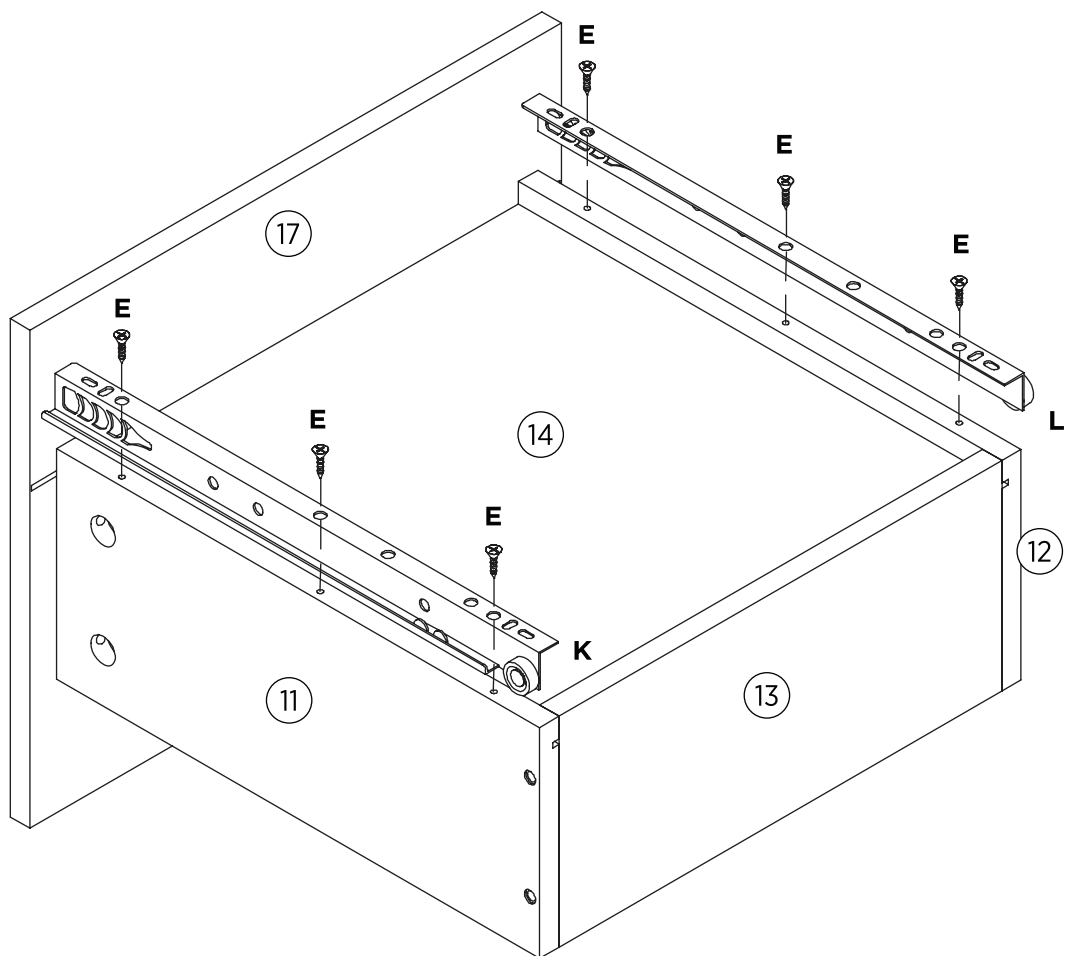
E x 6



K x 1



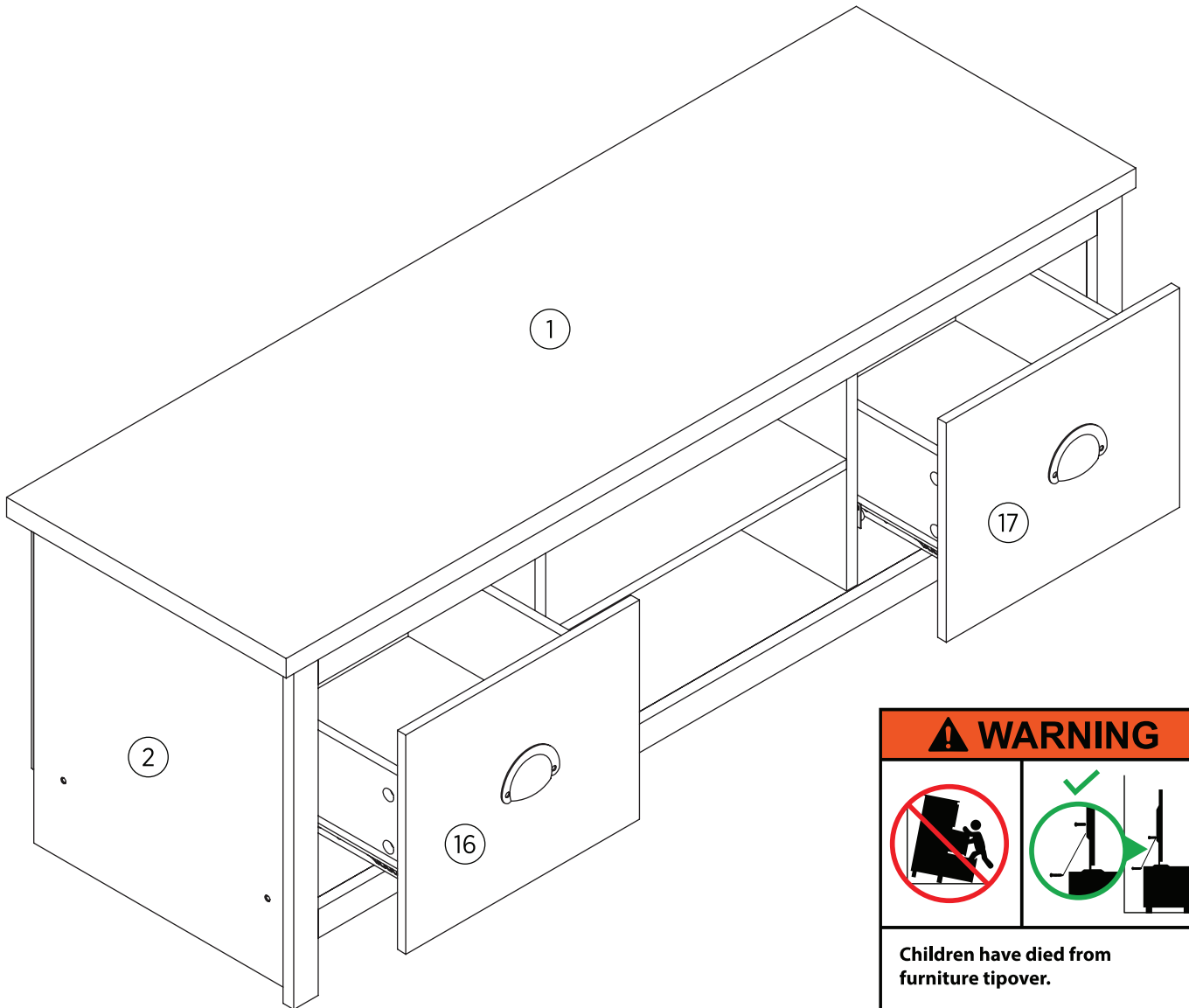
L x 1



ASSEMBLY INSTRUCTIONS

STEP 19

Insert drawers to assembled unit, as shown



⚠ WARNING



Children have died from furniture tipover.

- NEVER allow children to stand, climb or hang on drawers, doors, or shelves.
- ALWAYS secure your television with an anchor device or mount the television on a wall.

Maximum recommended weight is 30kgs on top and 5kgs for shelf and drawers.

Your TV Unit 2 drawers is ready for use

WALL FIXING GUIDE

NOTE: Supplied wall plugs are only suitable for use in masonry walls.

If you have any doubts about using the correct plug for your wall, please seek professional advice.

Failure of the product due to using incorrect fixings is the responsibility of the installer.



IMPORTANT:

When drilling into walls, always check for hidden wires or pipes, etc.



Tips & Tricks

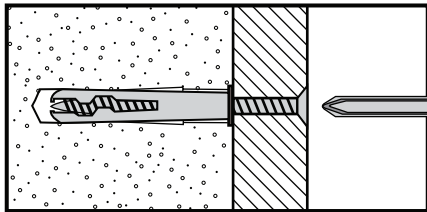
Make sure that the hardware used is suitable for supporting your unit.

Please consult a qualified tradesperson if unsure.

- ☑ Take extra care when drilling high walls, ceiling and ceramic tiles. Ensure wall plugs are inserted beyond the thickness of the ceramic tiles to avoid splitting or cracking.
- ☑ If you are unsure, please select a larger screw and wall plug.
- ☑ Ensure that you use the recommended drill bit to match the wall plug and hole size.
- ☑ Ensure that wall plugs are well fitted and are a tight fit in the drilled hole.

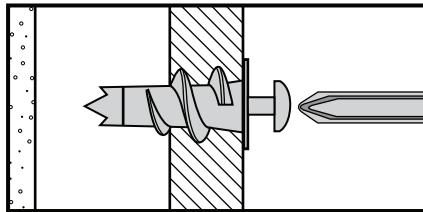
Types of Walls

Use one of the following types of wall plug (not included) if your walls are made of brick, breeze block, concrete, stone or wood. Screws may be able to be fixed directly to solid wood walls as they will provide a secure anchor point.



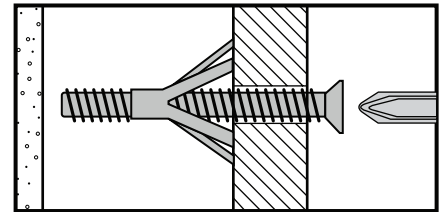
1. General Purpose Wall Plug

Generally, aerated blocks should not be used to support heavy loads, use a specialist fitting in this case. For light loads, general purpose wall plugs can be used.



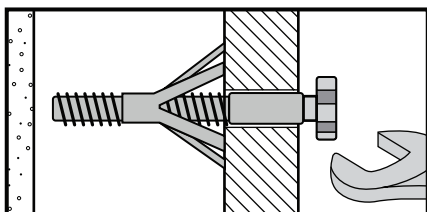
2. Plasterboard Wall Plug

For use when attaching light loads onto plasterboard partitions.



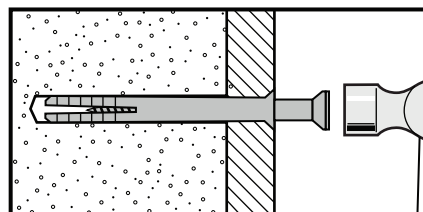
3. Cavity Fixing Wall Plug

For use with plasterboard partitions or hollow wooden doors.



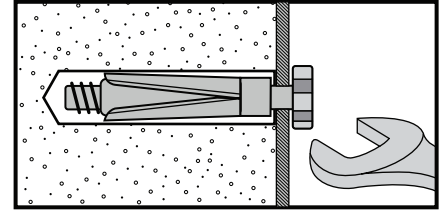
4. Cavity Fixing Heavy Duty Wall Plug

For use when fitting or supporting heavy loads such as shelving and wall cabinets.



5. Hammer Fixing Wall Plug

For use with concrete block or brick walls, or walls stuck with plasterboard. The hammer fixing allows it to be fixed to the wall rather than the plasterboard. Always check the fixing is secure to the retaining wall.



6. Shield Anchor Wall Plug Heavy Loads

For use with concrete or brick walls, or for use with heavier loads such as TV & HiFi speakers and satellite dishes, etc.