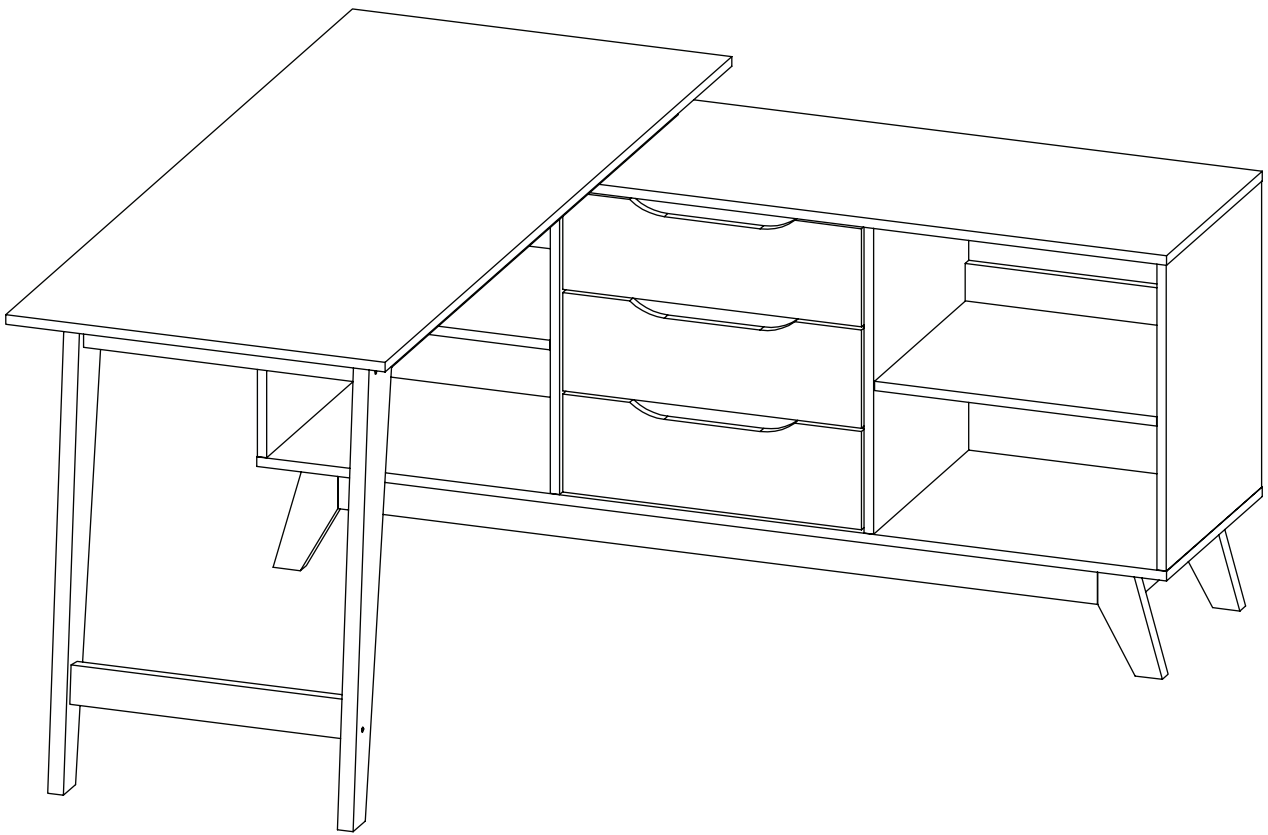




# DESK

# 4 SHELF 3 DRAWERS

## ASSEMBLY INSTRUCTIONS



# TIPS BEFORE YOU START

---

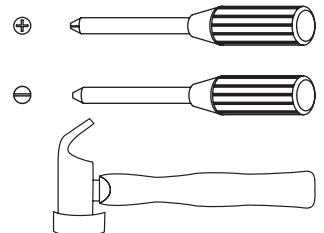
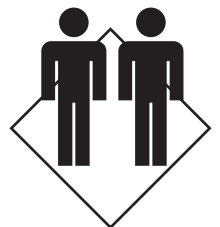
1. Please check that all parts are present before you start the assembly of your furniture.
2. For ease and speed of assembly, we recommend that before you commence each step of the assembly, that you identify all the parts required for that step.
3. For larger items, please ensure that you have sufficient space and people to assemble your product safely.
4. We recommend that, where possible, all items are assembled near to the area in which they will be placed in use, to avoid moving the product unnecessarily once assembled.
5. For the protection of your furniture, we recommend that the product is placed on a protected surface during assembly to prevent any damage.
6. During assembly please take care not to over-tighten any fittings, as this may damage the product. Do not use power tools.
7. Always place the product on a flat, steady and stable surface.
8. Do not stand on the product. Do not use the product as a stepladder.
9. This product is intended for indoor, household use only as it is a non-industrial product.
10. Please use caution and care when lifting the product to avoid personal injury and/or product damage.

## CARE AND MAINTENANCE OF YOUR FURNITURE

- ✓ Please periodically check all fittings and re-tighten as necessary.
- ✓ To clean your item, please use a damp cloth and wipe clean.
- ✓ To clean glass, please use glass cleaner.
- ✓ Never allow any kind of liquid to remain on your furniture. Absorption can cause wood to warp or finishes to de-laminate.
- ✓ Please do not place hot items (eg. hot drinks) directly on to the surface.
- ✓ Please do not drag and pull your furniture.

## ASSEMBLY REQUIREMENTS

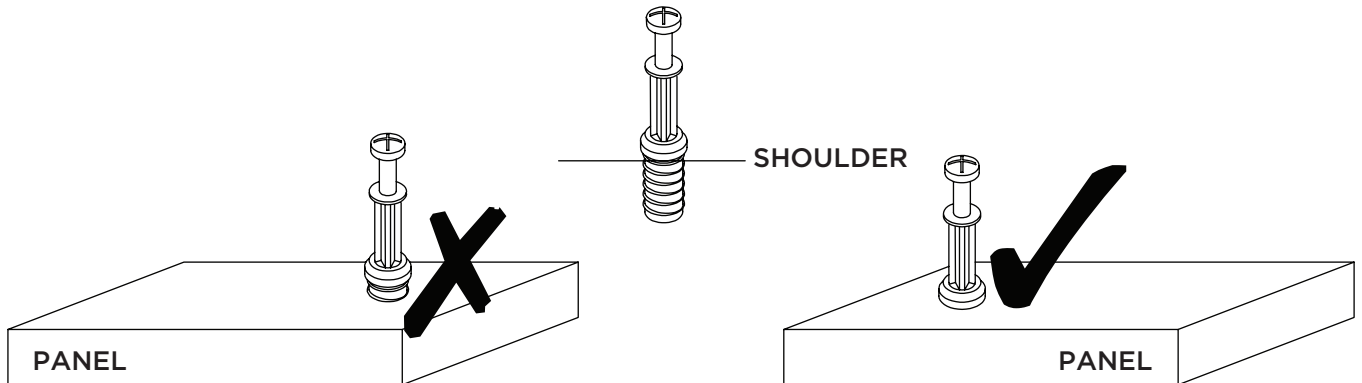
- ✓ Equipment: phillips head screwdriver, flat head screwdriver and hammer
- ✓ 2 x adults required
- ✓ 2m x 2m assembly space required
- ✓ 2 hour assembly time approx.



# USING CAM LOCK AND QUICKFIT

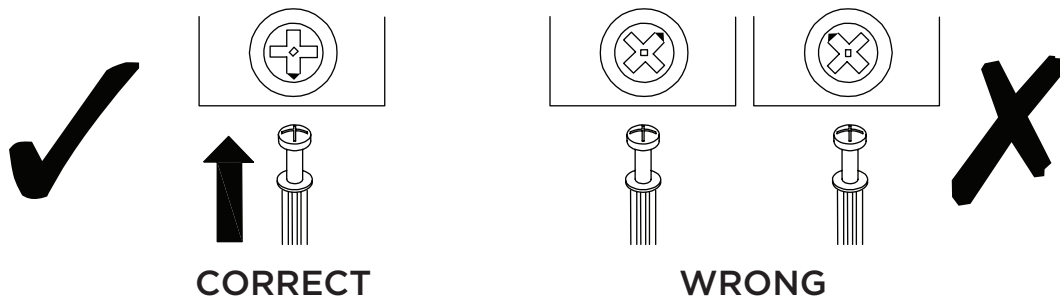
## QUICKFIT

Tighten quickfit until shoulder is flush with panel. Do not overtighten or undertighten.



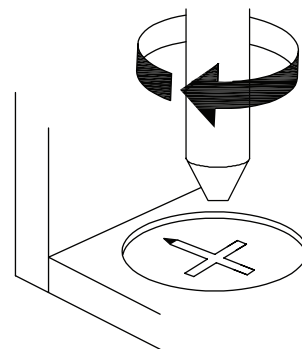
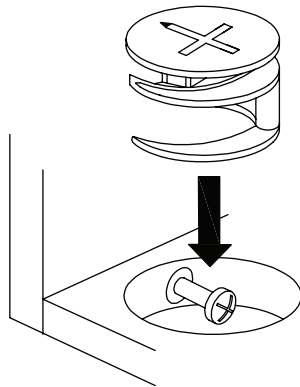
## CAM LOCK

When fitting cam lock, ensure starting position is correct before you insert connecting quickfit.



Quickfit head should be in the centre of the cam lock when the two panels are joined.  
Cam lock should be inserted before quickfit.

Turn cam lock clockwise to tighten.

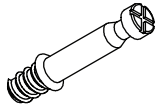


# HARDWARE LIST

---



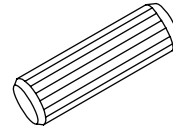
24 x A  
Cam Lock



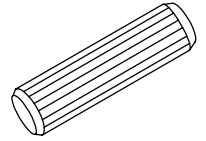
24 x B  
Quickfit Screw



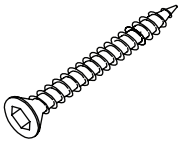
24 x C  
Cam Lock Cover



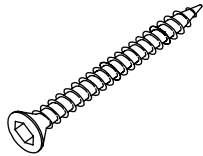
46 x D  
Wooden Dowel



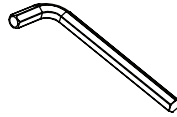
4 x E  
Wooden Dowel



13 x F  
Cap Wood Screw



12 x G  
Cap Wood Screw



1 x H  
Allen Key



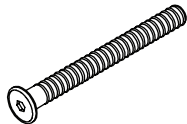
36 x I  
Screw



18 x J  
Screw



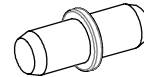
55 x K  
Screw



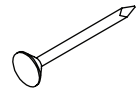
2 x L  
Bolt



2 x M  
Nut



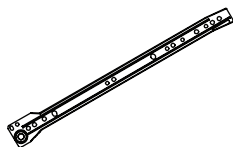
8 x N  
Shelf Support



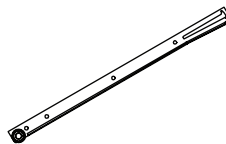
24 x O  
Nail



7 x P  
Nail Leg



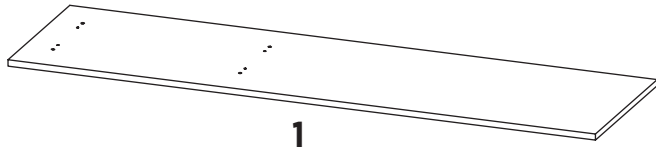
6 x Q  
Outer Drawer Runner



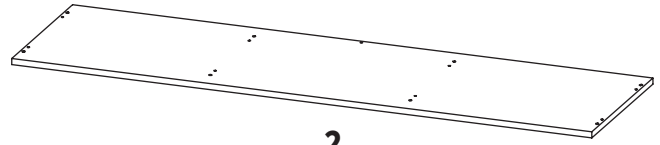
6 x R  
Inner Drawer Runner

# PARTS LIST

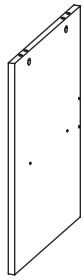
---



**1**  
1 PC



**2**  
1 PC



**3**  
1 PC



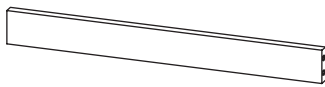
**4**  
1 PC



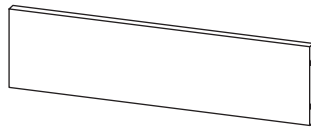
**5**  
1 PC



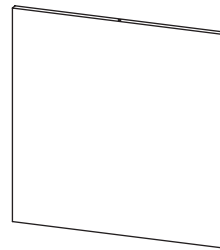
**6**  
1 PC



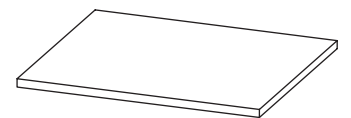
**7**  
3 PCS



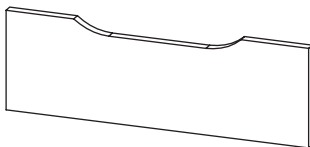
**8**  
2 PCS



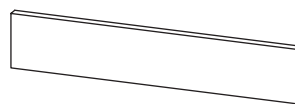
**9**  
1 PC



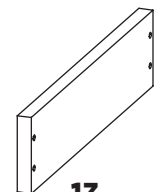
**10**  
2 PCS



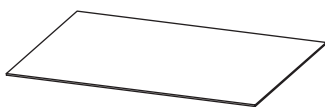
**11**  
3 PCS



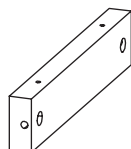
**12**  
3 PCS



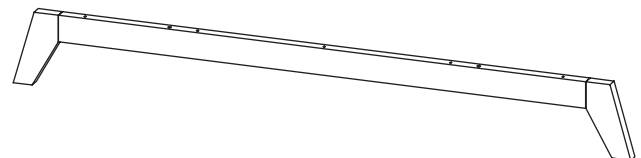
**13**  
6 PCS



**14**  
3 PCS



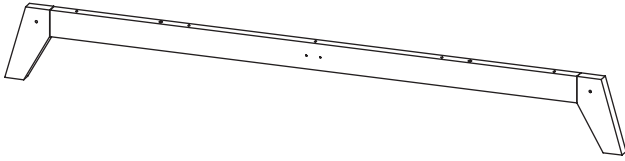
**15**  
2 PCS



**16**  
1 PC

# PARTS LIST (CONT.)

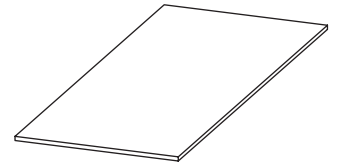
---



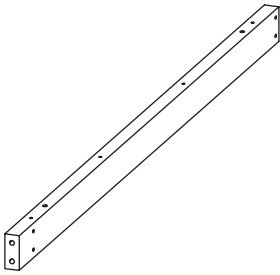
**17**  
1 PC



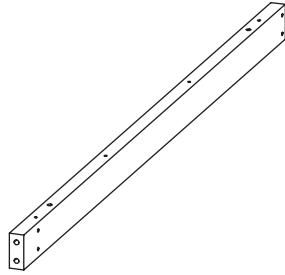
**18**  
1 PC



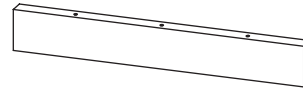
**19**  
1 PC



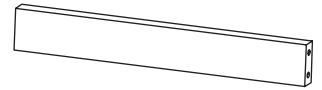
**20**  
1 PC



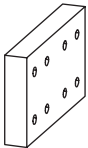
**21**  
1 PC



**22**  
3 PCS



**23**  
1 PC



**24**  
2 PCS



**25**  
1 PC



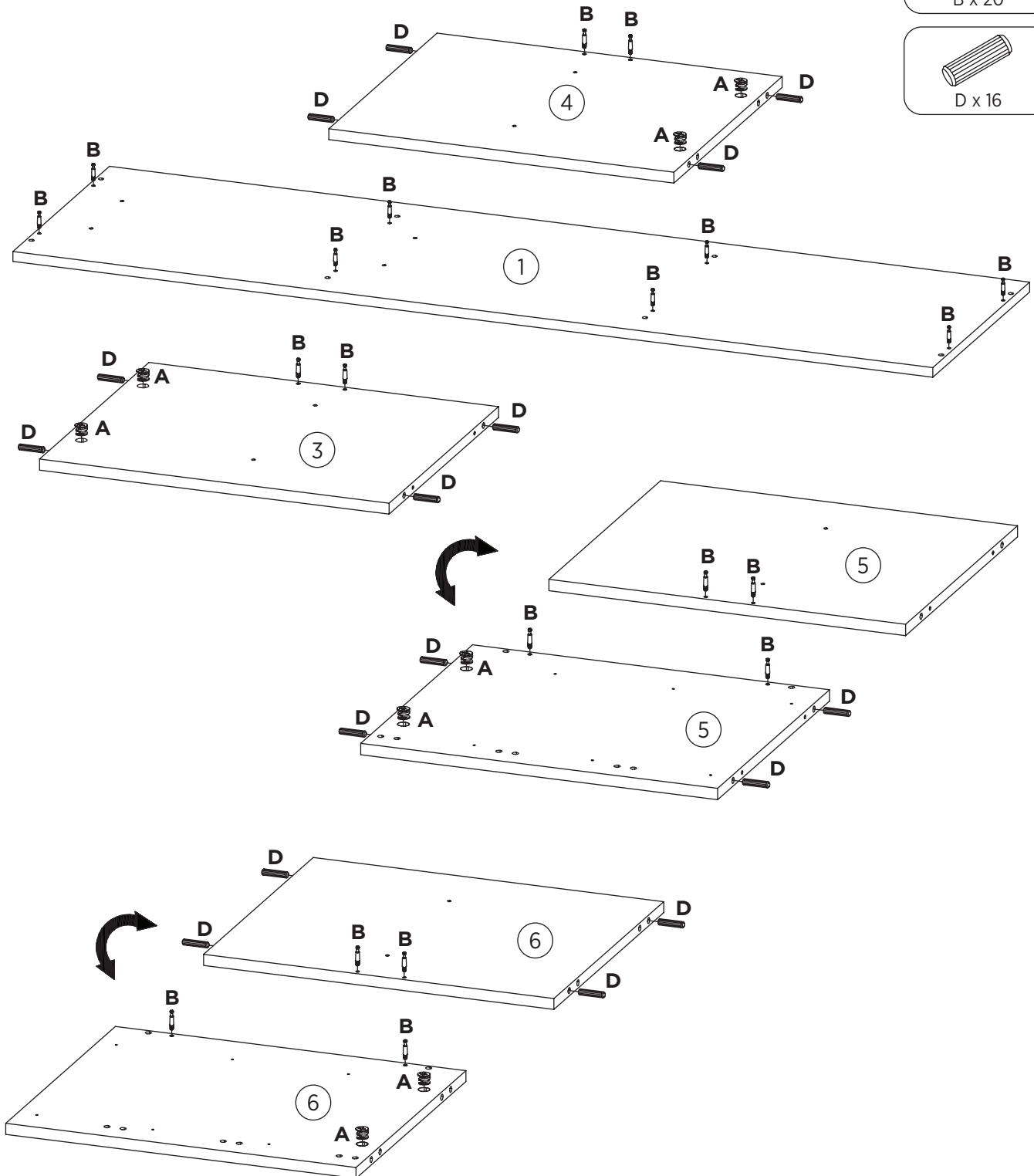
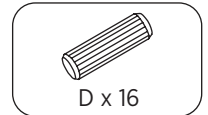
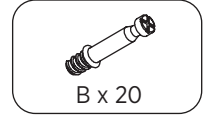
**26**  
1 PC

# ASSEMBLY INSTRUCTIONS

## STEP 1

Insert cam locks (A) and wooden dowels (D) to parts 3, 4, 5 and 6.

Insert quickfit screws (B) to parts 1, 3, 4, 5 and 6, as shown.

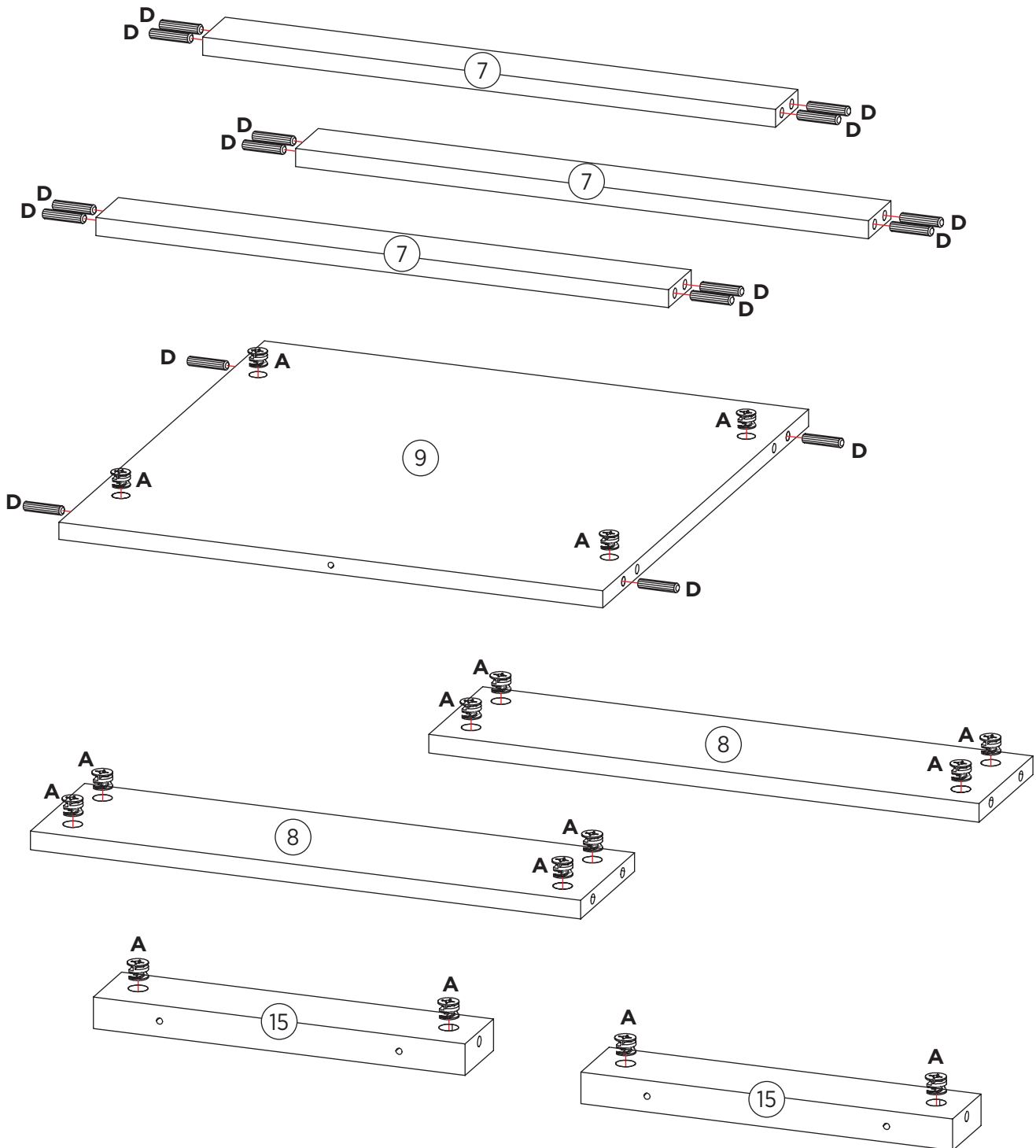
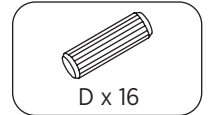
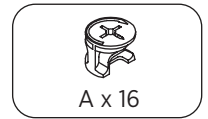


# ASSEMBLY INSTRUCTIONS

## STEP 2

Insert cam locks (A) to parts 8, 9 and 15.

Insert wooden dowels (D) to parts 7 and 9, as shown.





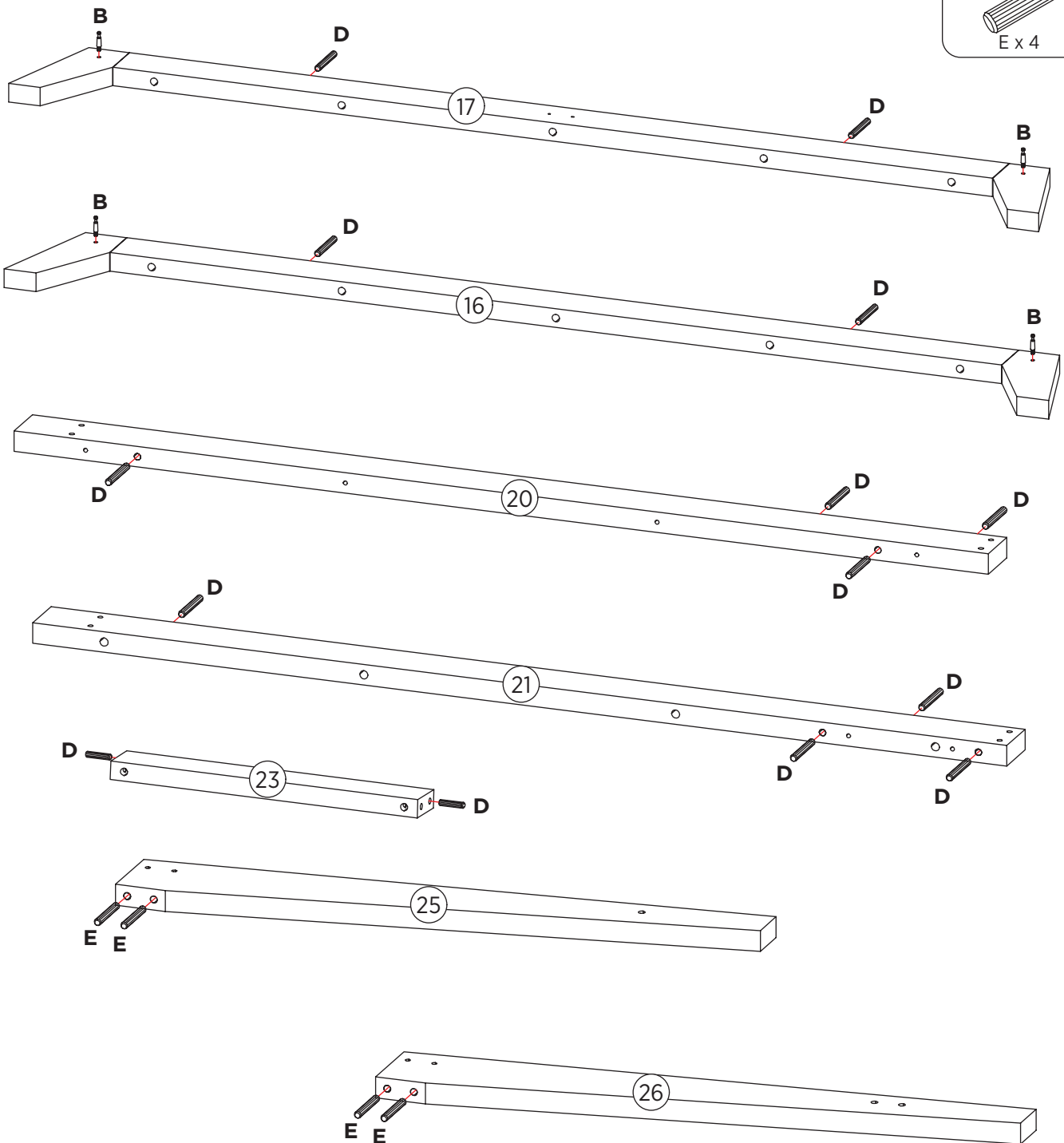
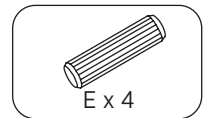
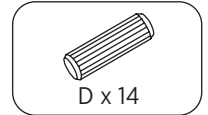
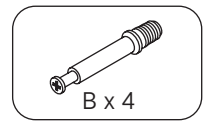
# ASSEMBLY INSTRUCTIONS

## STEP 3

Insert quickfit screws (B) to parts 16 and 17.

Insert wooden dowels (D) to parts 16, 17, 20, 21 and 23.

Insert wooden dowels (E) to parts 25 and 26, as shown.



# ASSEMBLY INSTRUCTIONS

## STEP 4

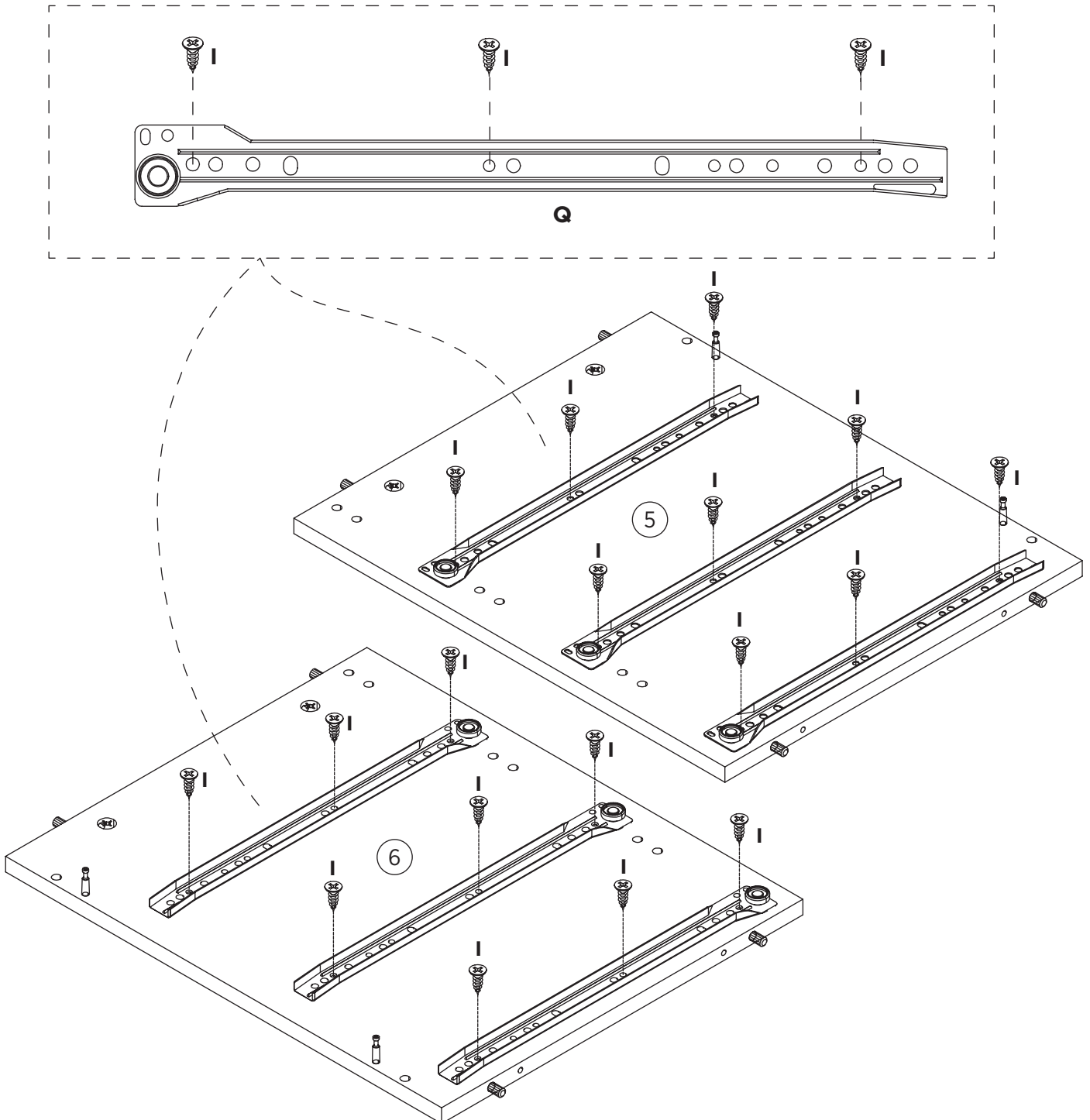
Fix outer drawer runners (Q) to parts 5 and 6 using screws (I), as shown.



I x 18



Q x 6



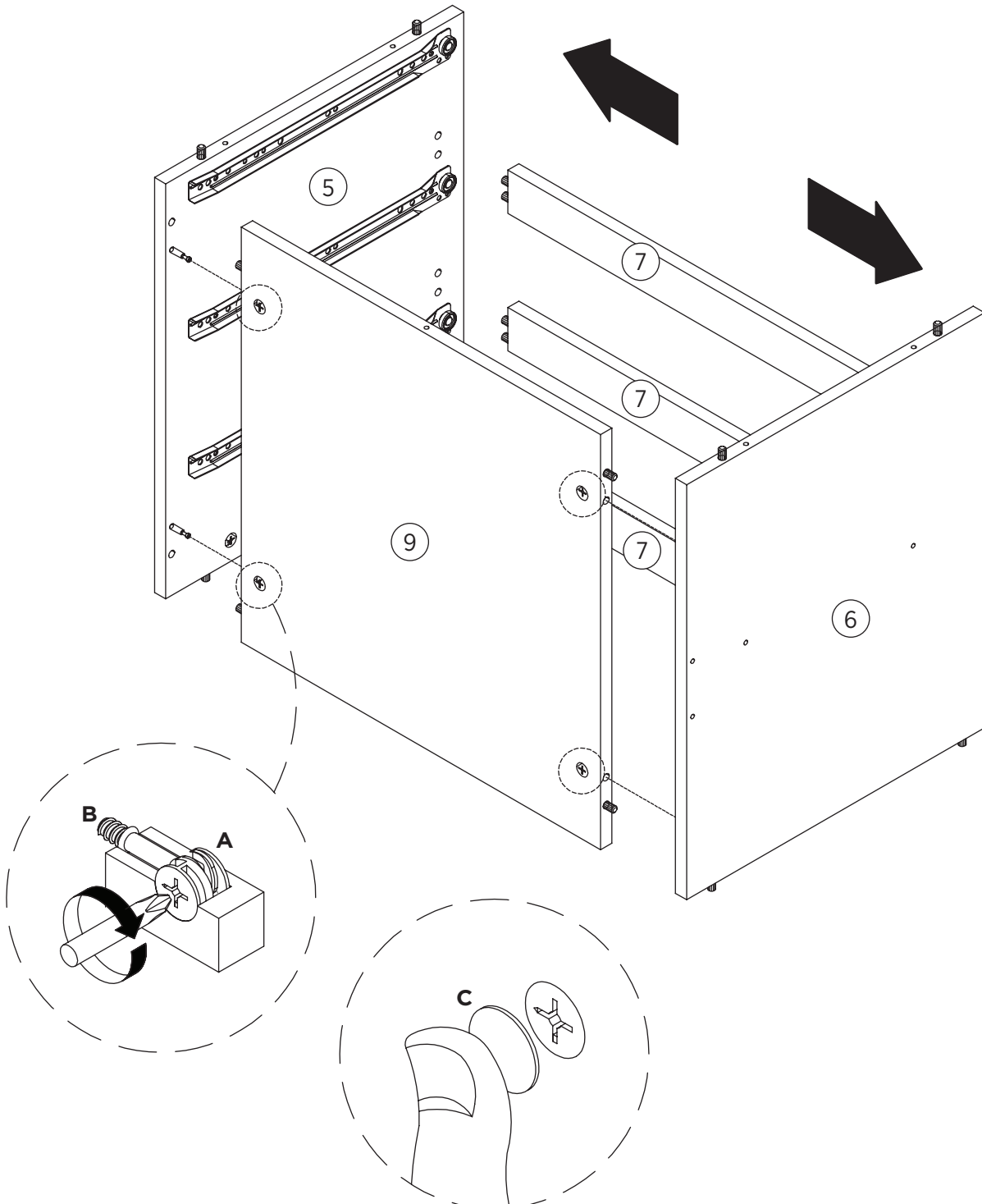
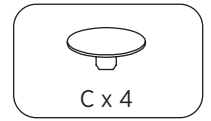
# ASSEMBLY INSTRUCTIONS

## STEP 5

Attach parts 5 and 6 to parts 7 and 9, as shown.

Turn cam locks clockwise to tighten.

Attach covers (C) to cam locks, as shown.



# ASSEMBLY INSTRUCTIONS

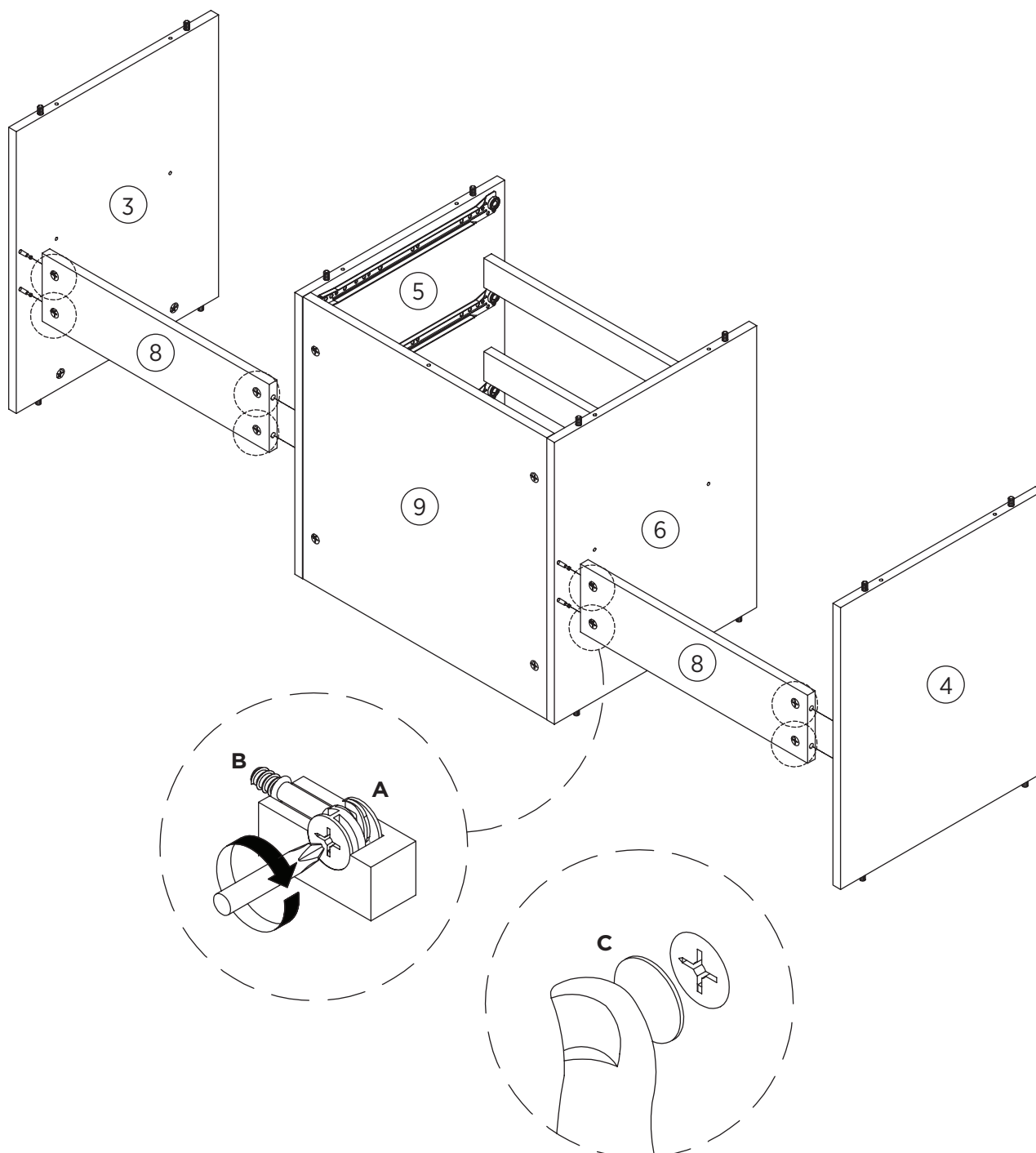
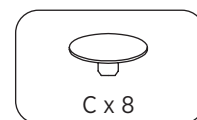
## STEP 6

Attach parts 3 and 5 to part 8.

Attach parts 4 and 6 to part 8.

Turn cam locks clockwise to tighten.

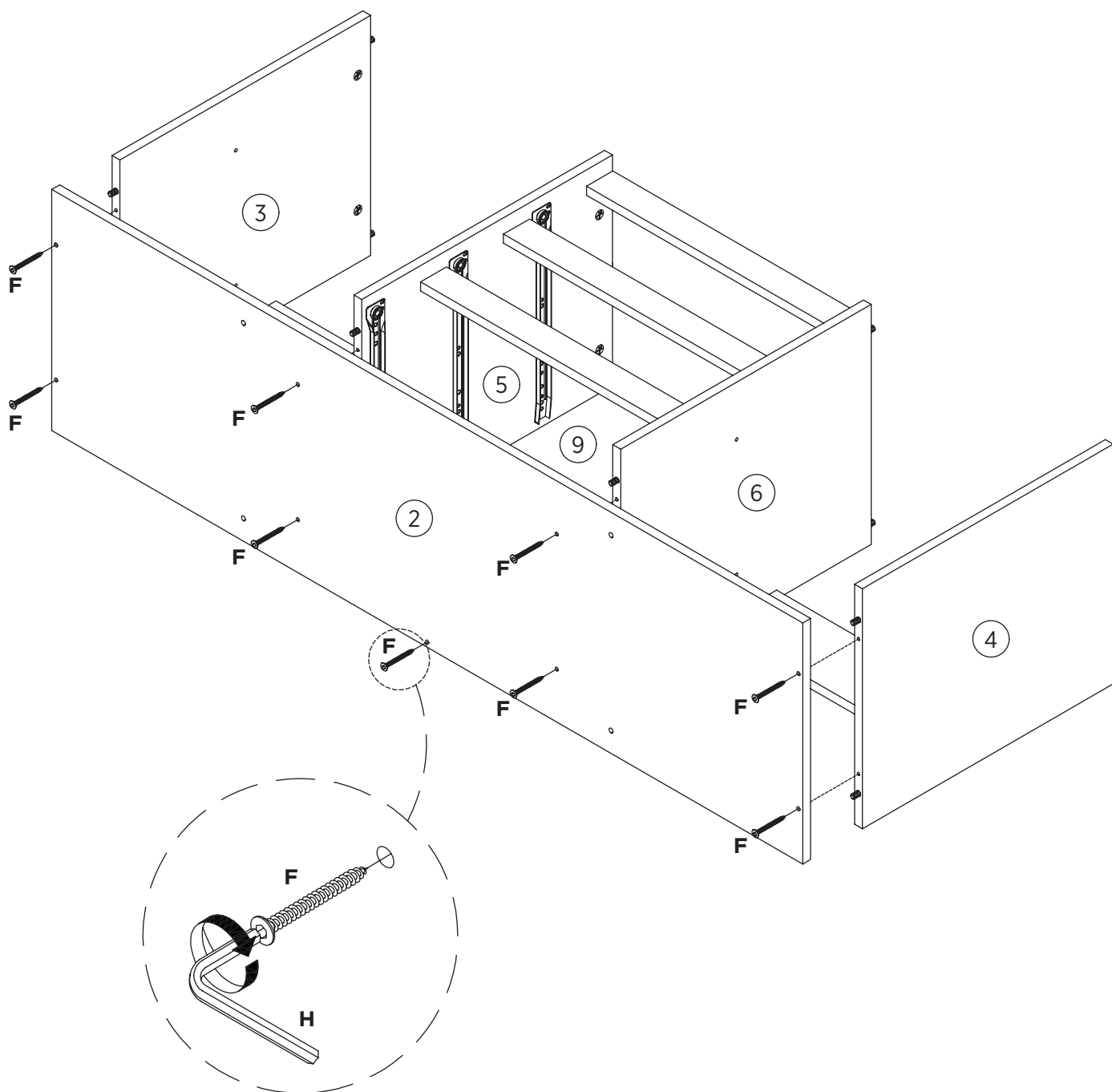
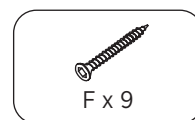
Attach covers (C) to cam locks, as shown.



# ASSEMBLY INSTRUCTIONS

## STEP 7

Fix part 2 to parts 3, 4, 5, 6 and 9 using screws (F) and allen key (H), as shown.



# ASSEMBLY INSTRUCTIONS

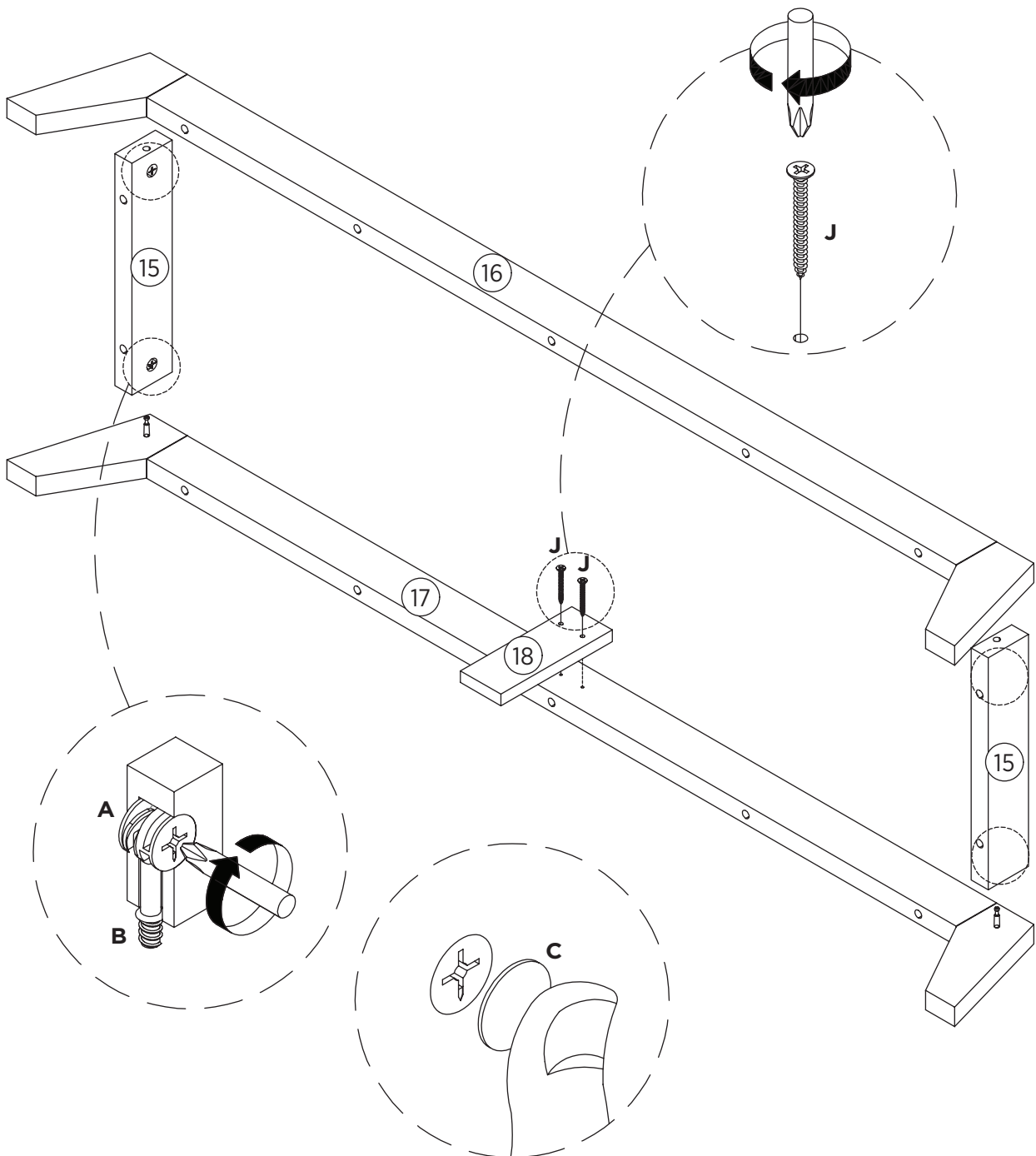
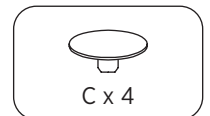
## STEP 8

Fix part 18 to part 17 using screws (J).

Attach parts 16 and 17 to parts 15, as shown.

Turn cam locks clockwise to tighten.

Attach covers (C) to cam locks, as shown.

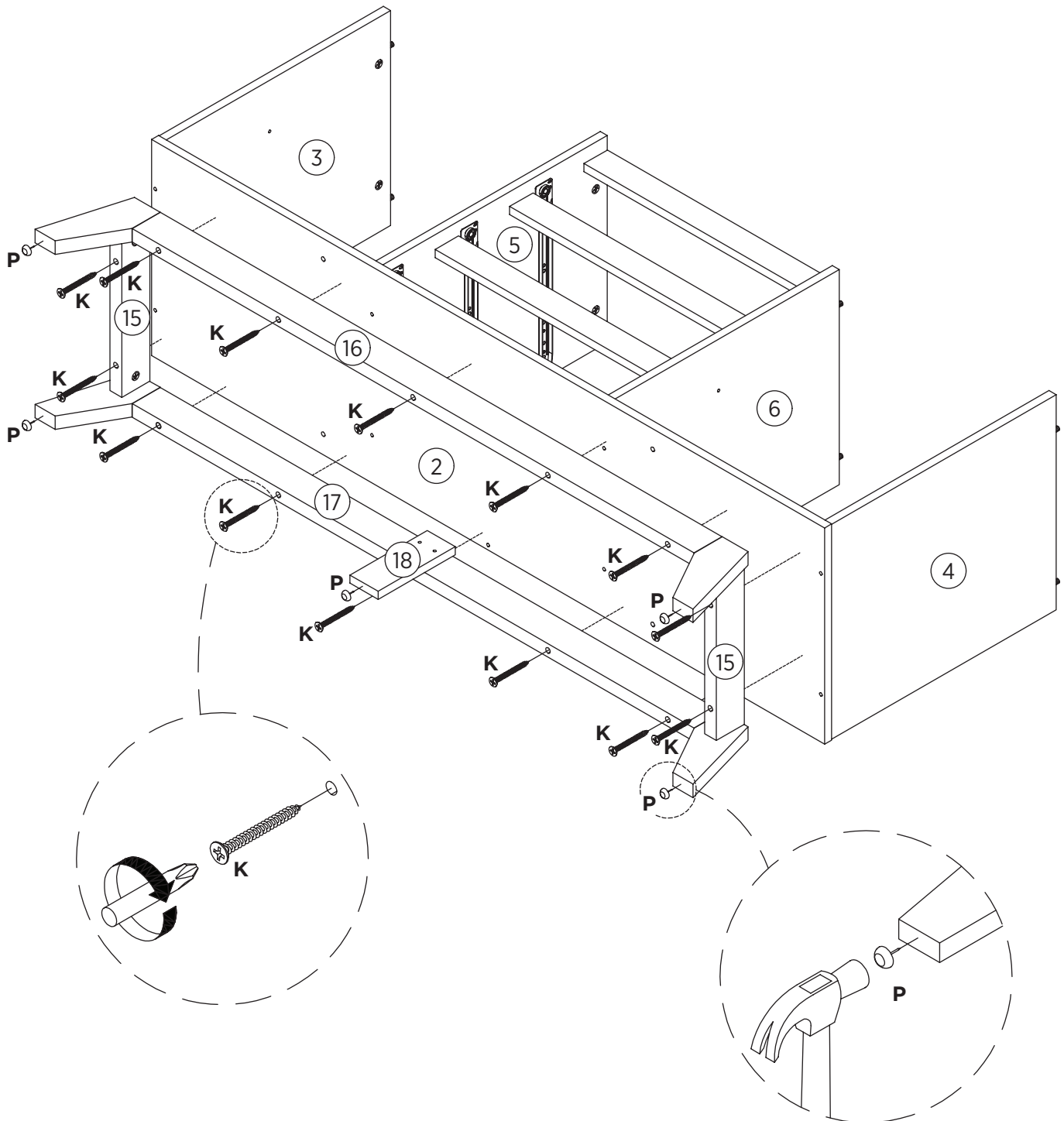
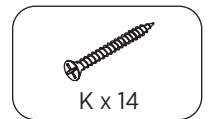


# ASSEMBLY INSTRUCTIONS

## STEP 9

Fix parts 15, 16 and 17 to part 2 using screw (K).

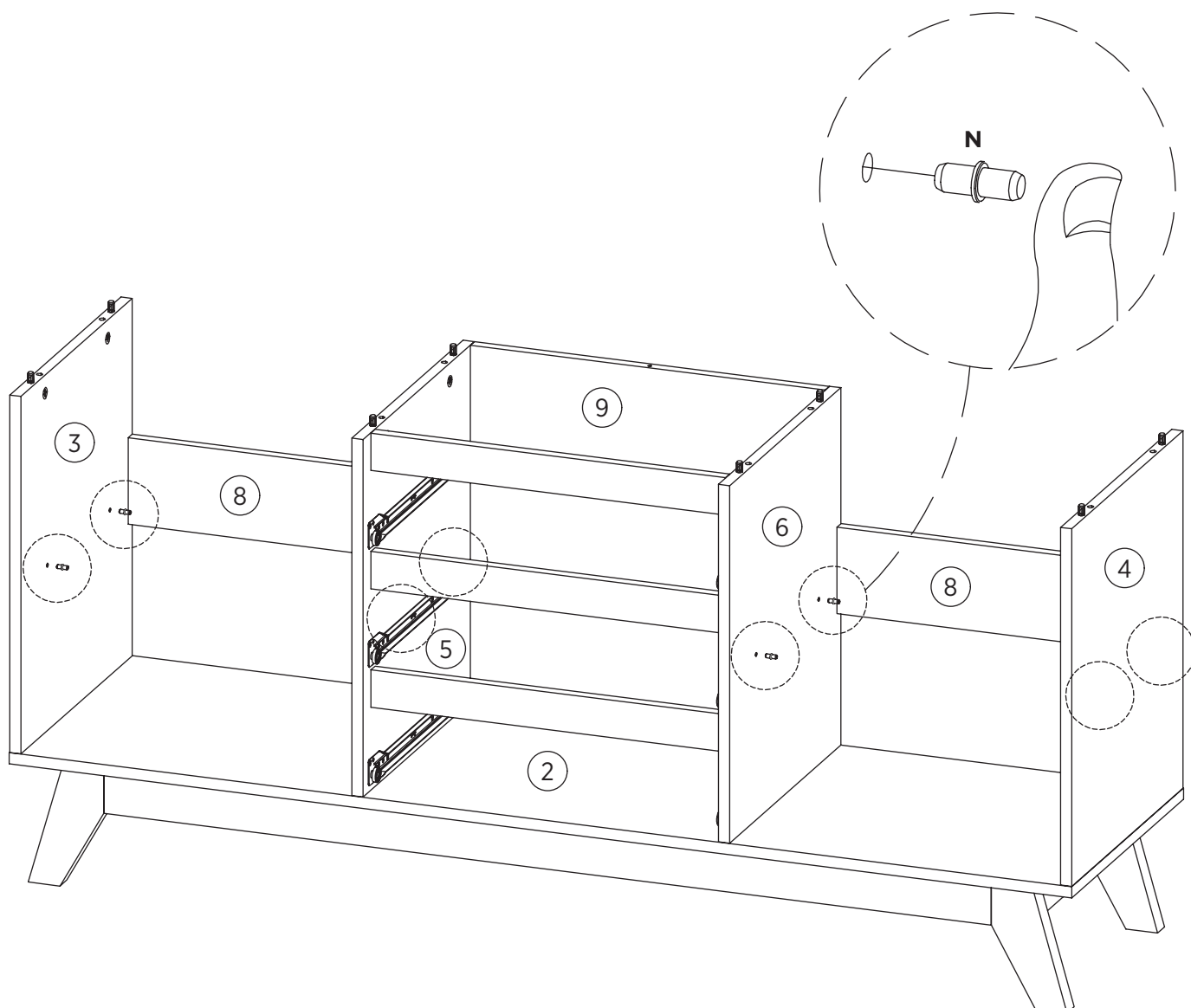
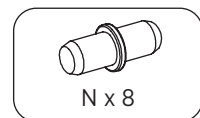
Fix legs (P) to parts 16, as shown.



# ASSEMBLY INSTRUCTIONS

## STEP 10

Insert shelf pins (N) to parts 3, 4, 5 and 6, as shown.



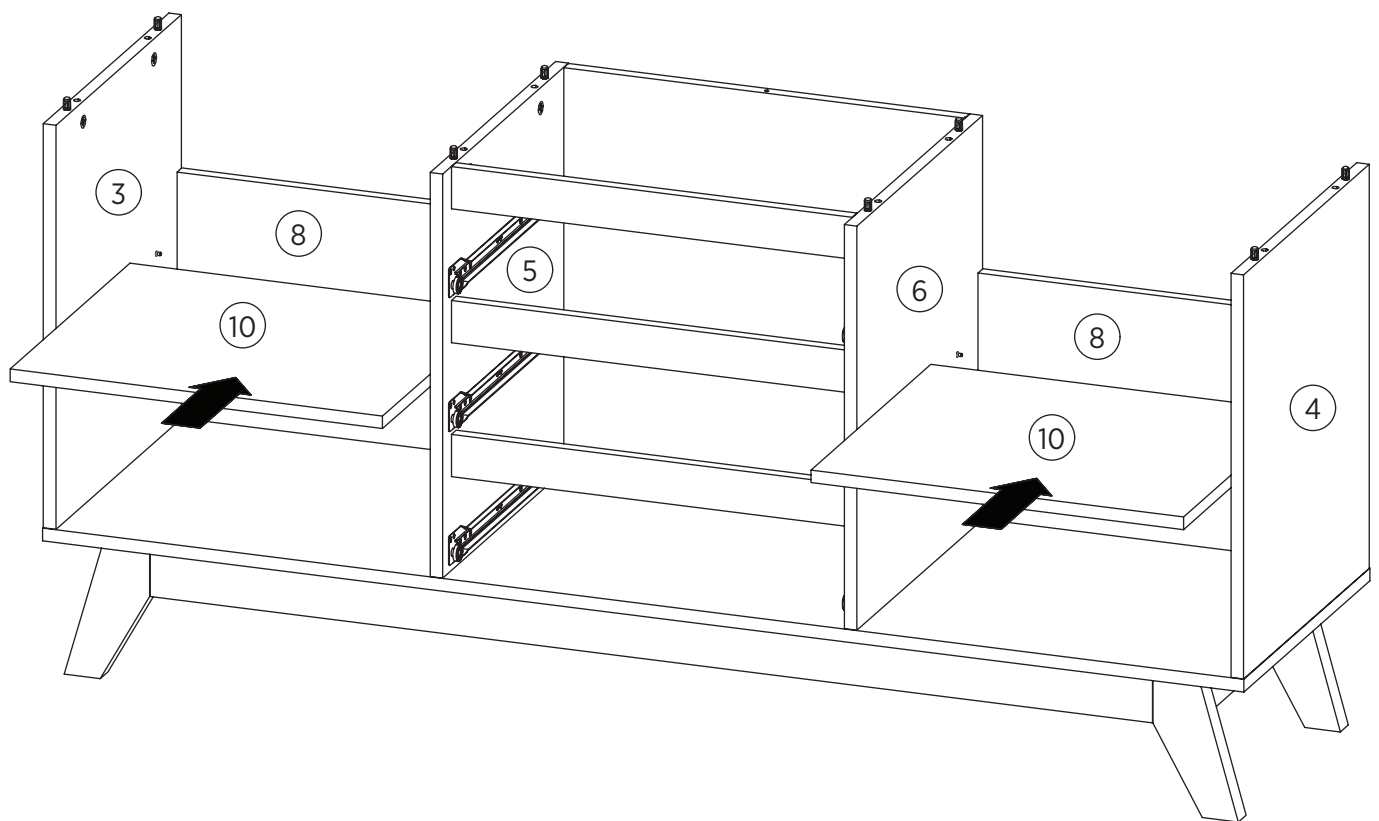


# ASSEMBLY INSTRUCTIONS

---

## STEP 11

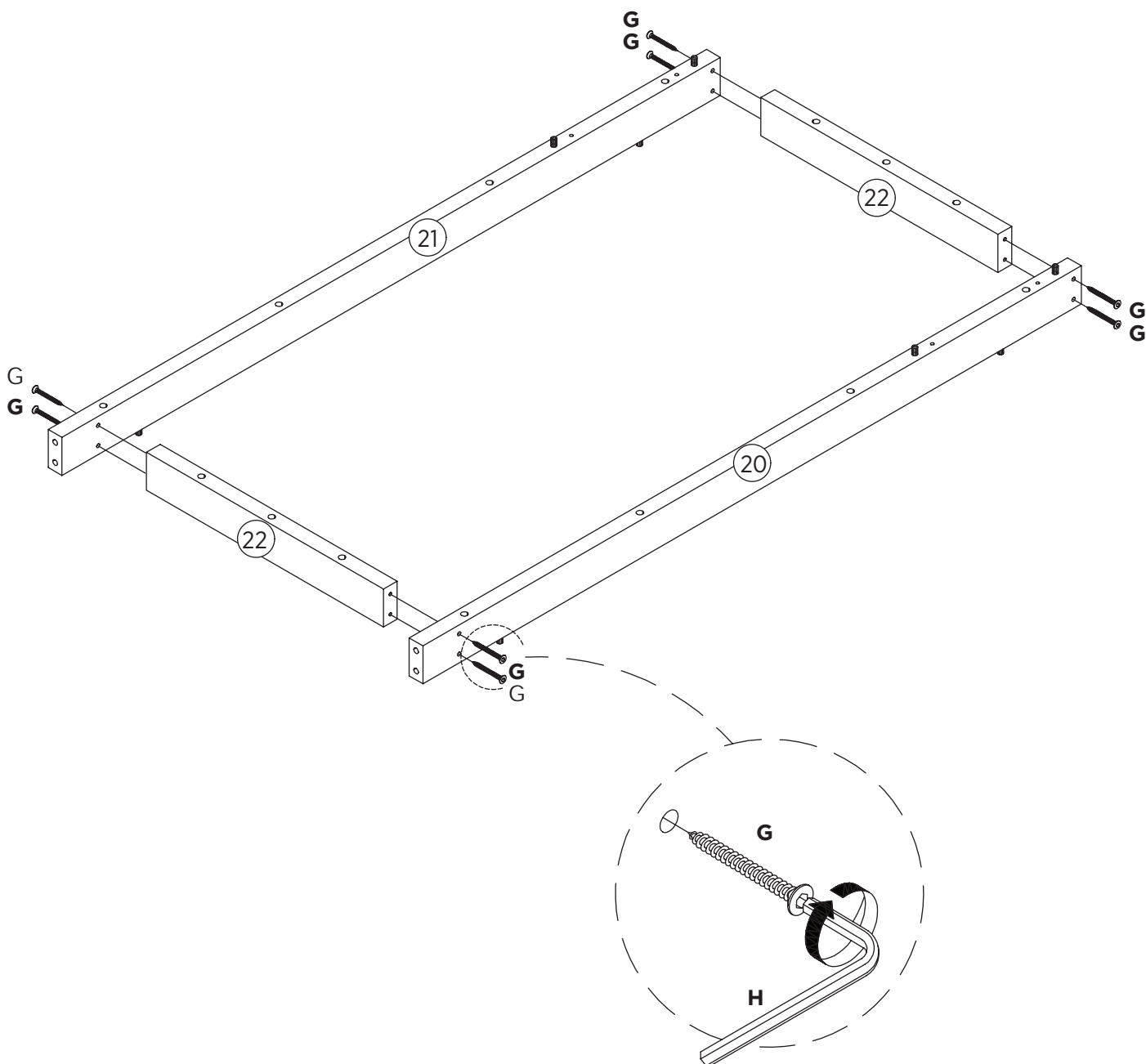
Insert shelves 10 to assembled unit, as shown.



# ASSEMBLY INSTRUCTIONS

## STEP 12

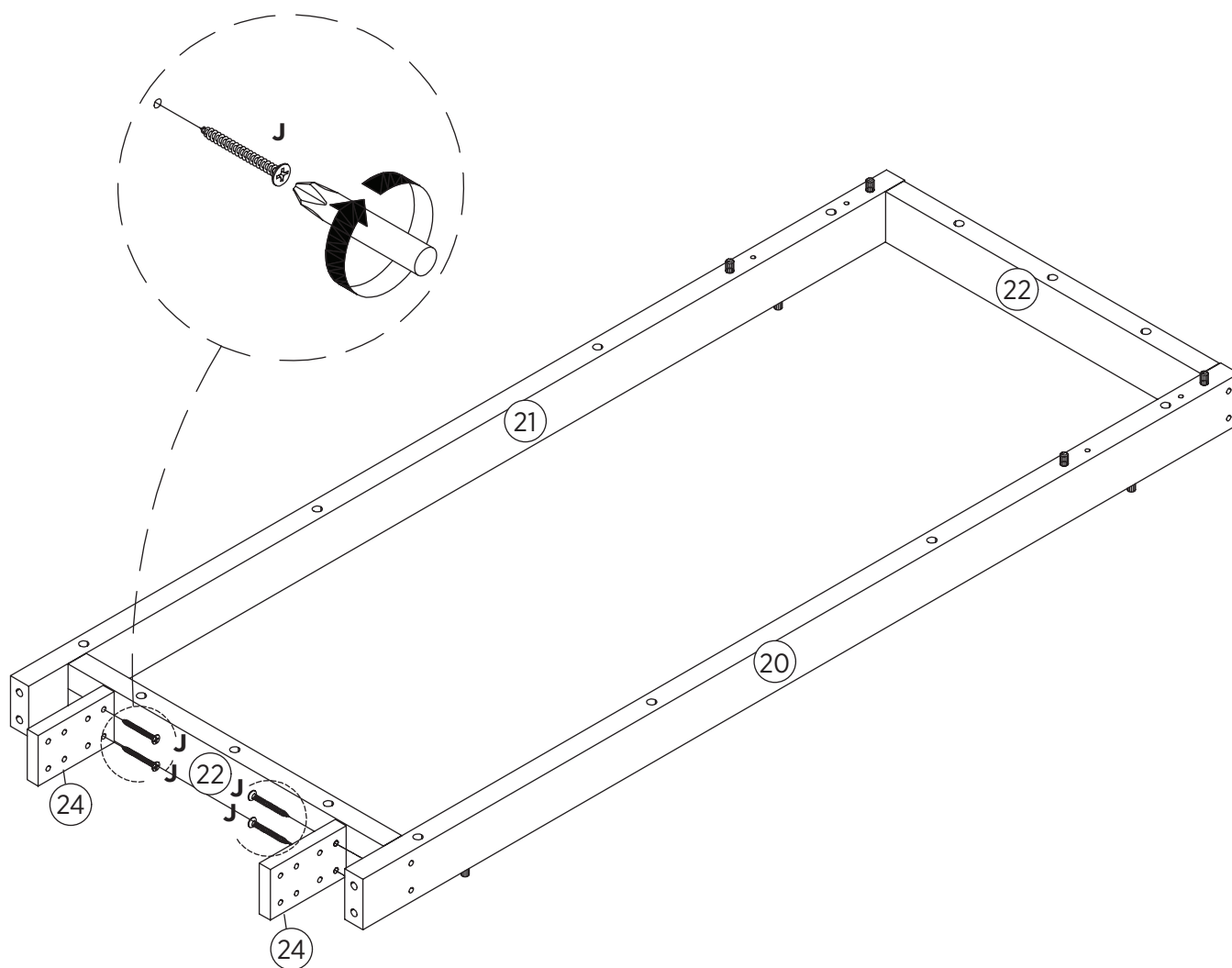
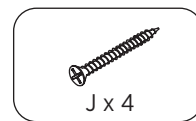
Fix parts 20 and 21 to parts 22 using screws (G) and allen key (H), as shown.



# ASSEMBLY INSTRUCTIONS

## STEP 13

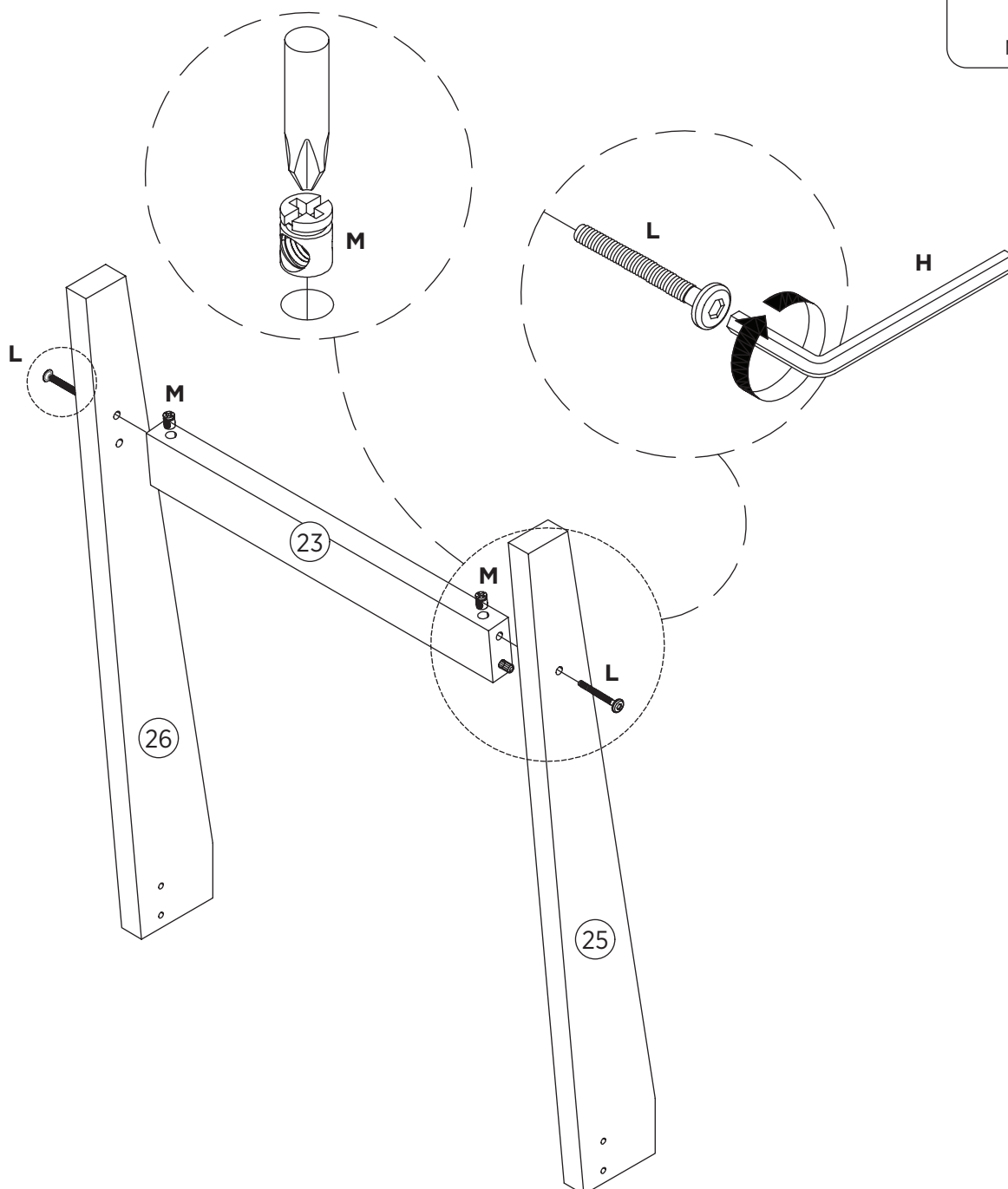
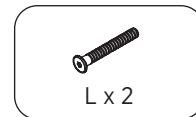
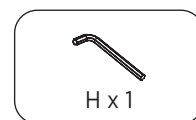
Fix parts 24 to parts 20 and 21 using screws (J), as shown.



# ASSEMBLY INSTRUCTIONS

## STEP 14

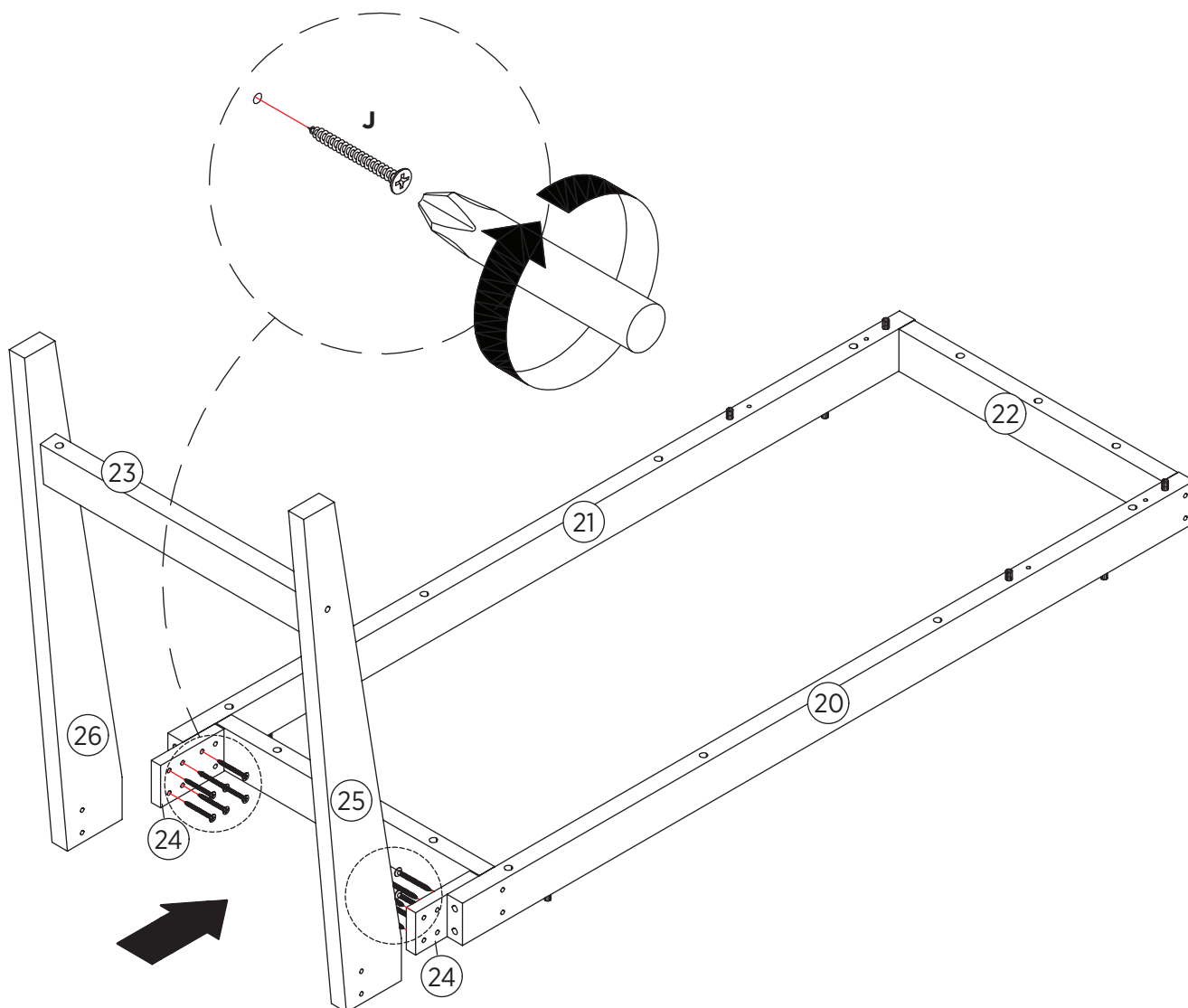
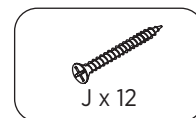
Fix part 23 to parts 25 and 26 using allen key (H), bolt (L) and nut (M), as shown.



# ASSEMBLY INSTRUCTIONS

## STEP 15

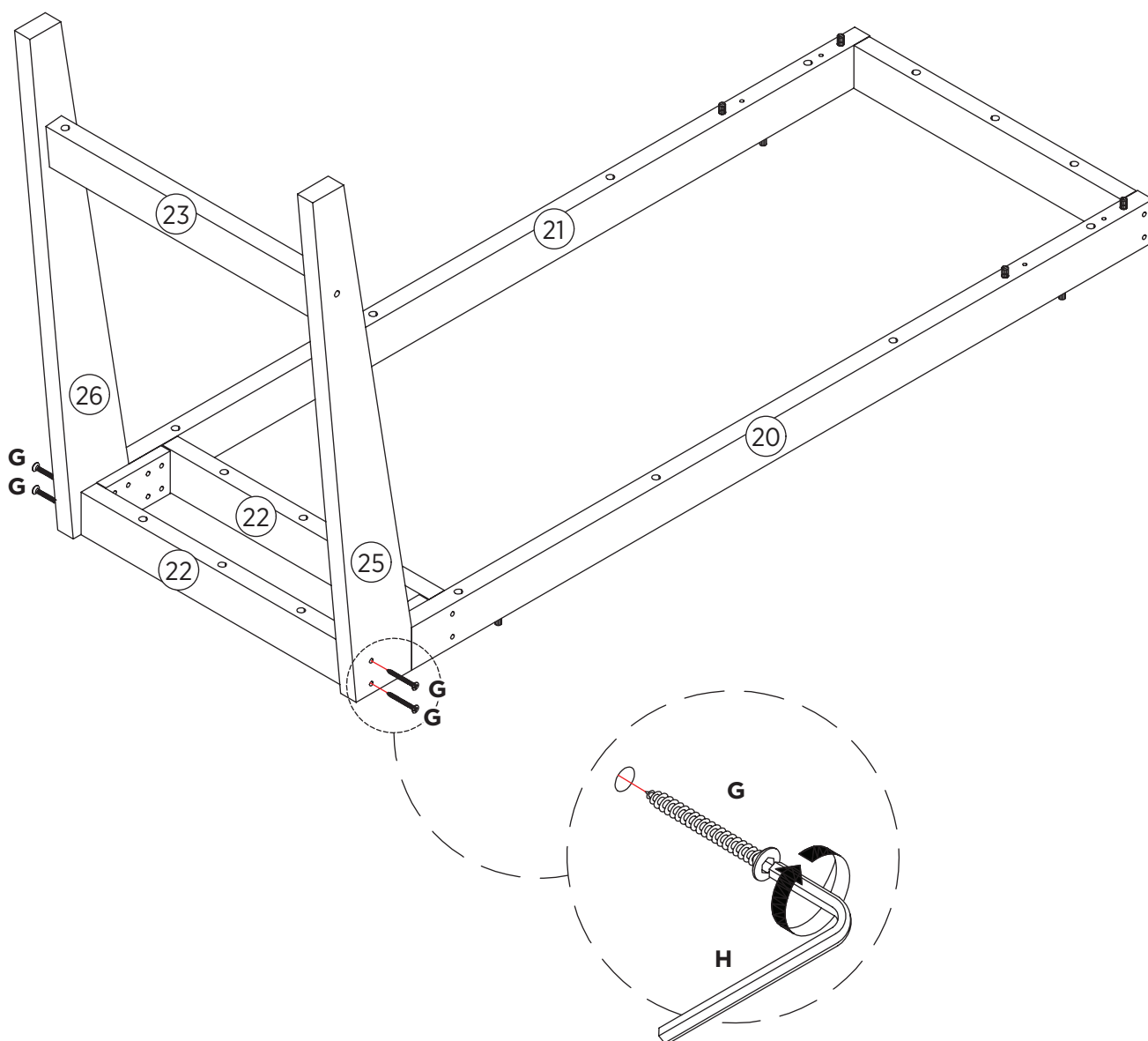
Attach parts 25 and 26 to parts 24 using screws (J), as shown.



# ASSEMBLY INSTRUCTIONS

## STEP 16

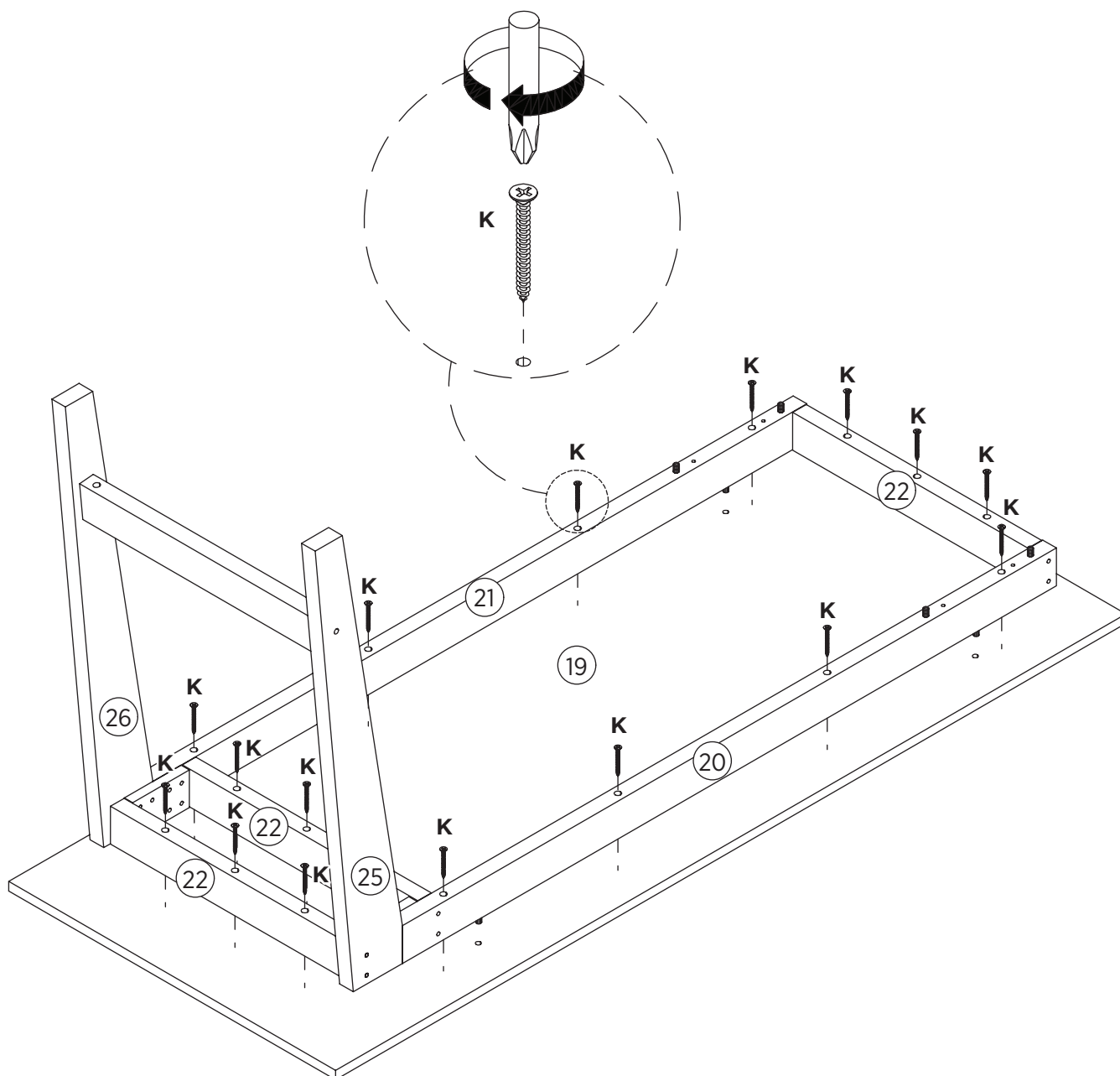
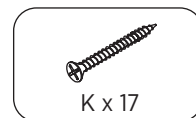
Fix parts 25 and 26 to part 22 using screws (G) and allen key (H), as shown.



# ASSEMBLY INSTRUCTIONS

## STEP 17

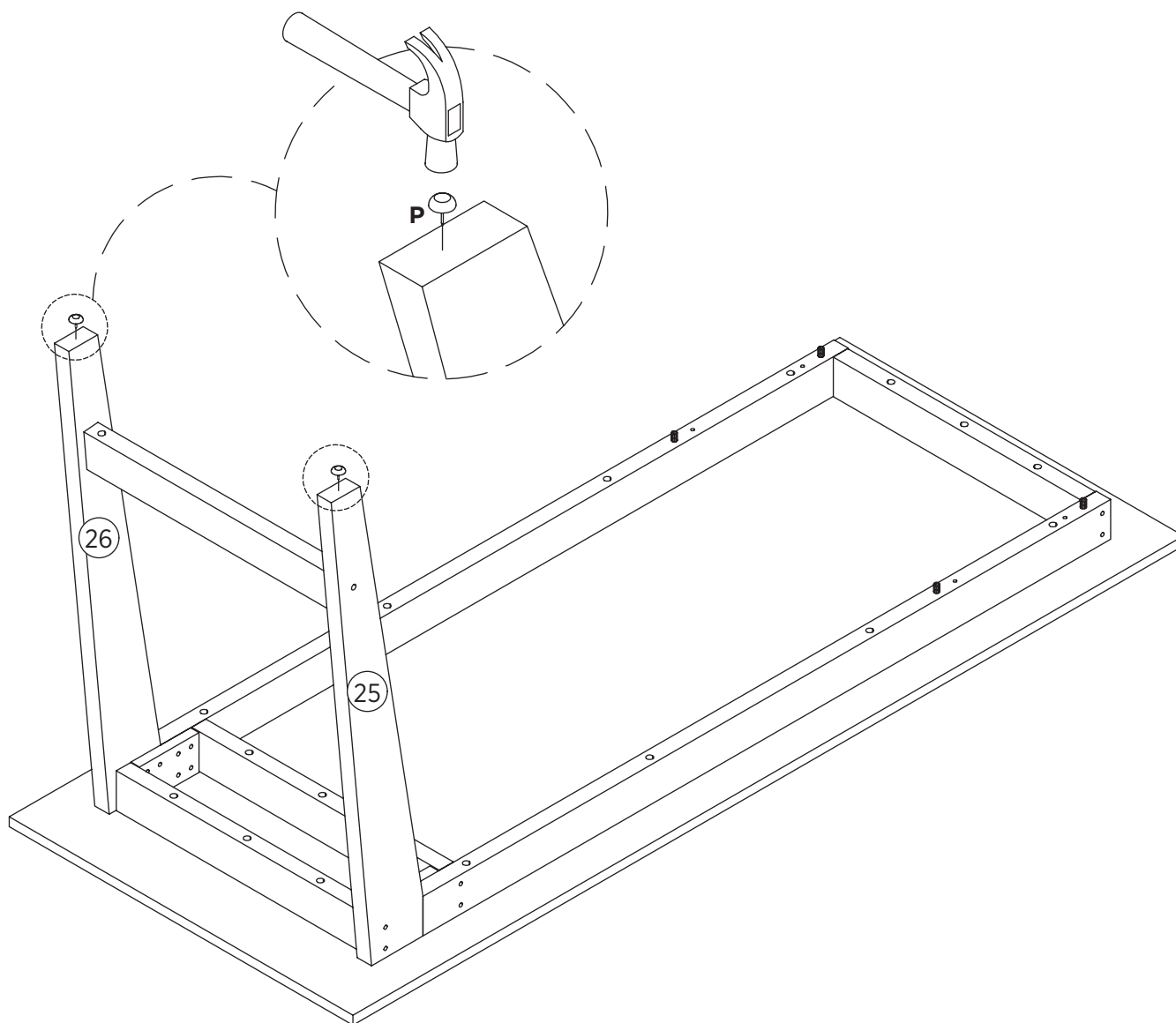
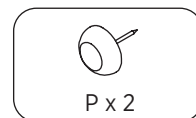
Fix parts 20, 21 and 22 to part 19 using screws (K), as shown.



# ASSEMBLY INSTRUCTIONS

## STEP 18

Fix legs (P) to parts 25 and 26, as shown.

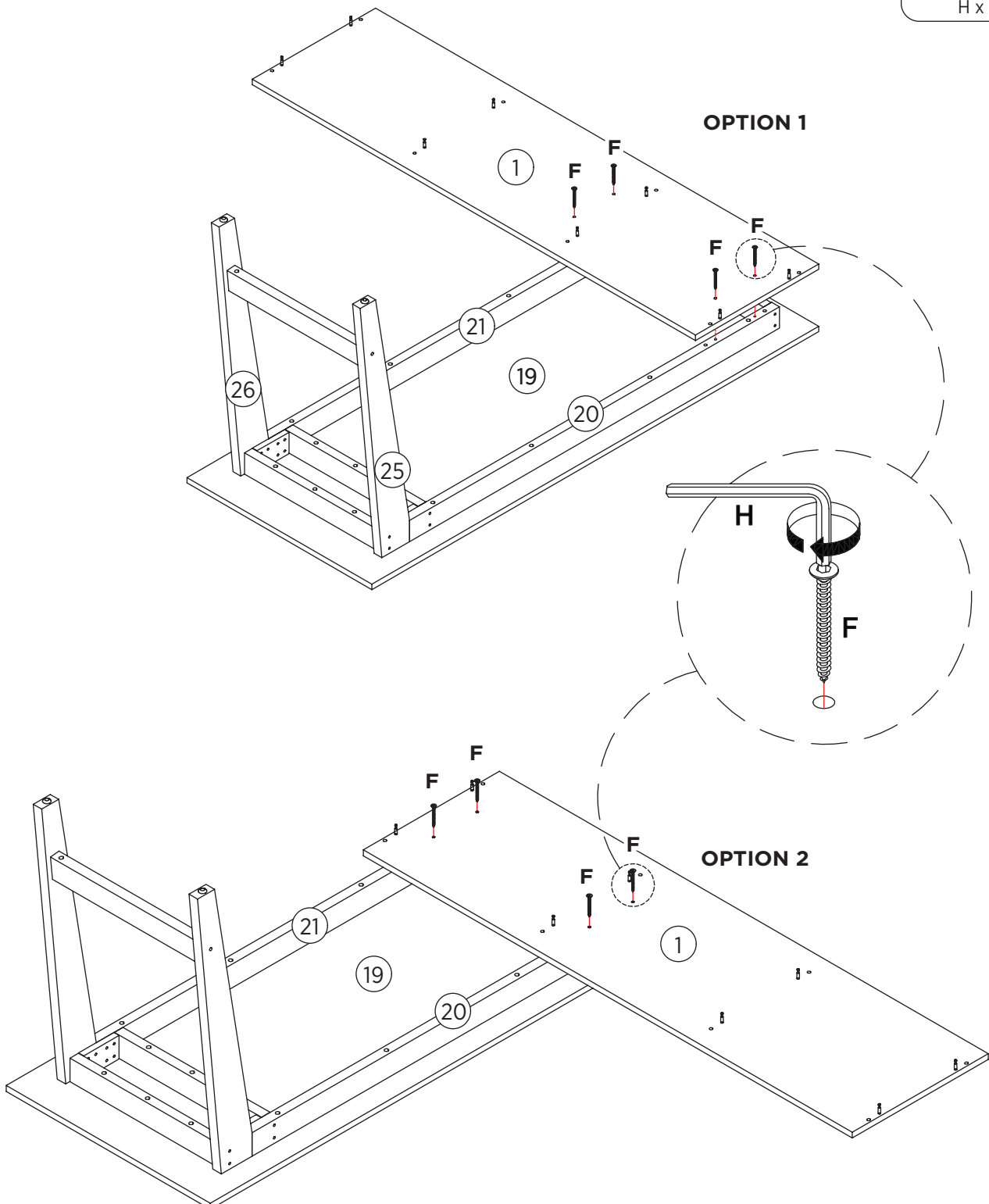
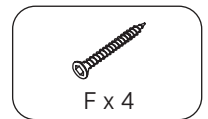




# ASSEMBLY INSTRUCTIONS

## STEP 19

Fix parts 1 to parts 20 and 21 using screws (F) and allen key (H), as shown.



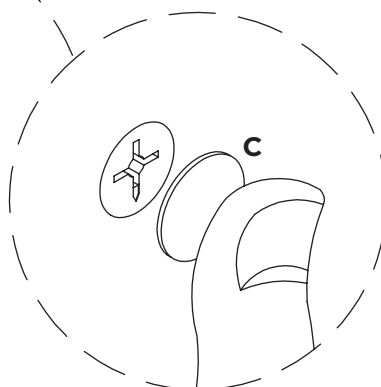
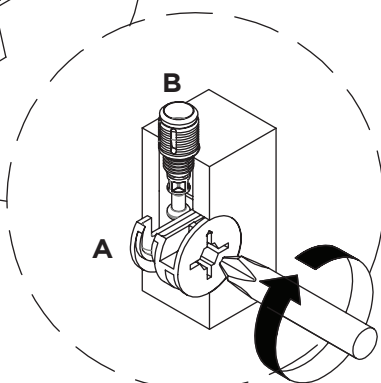
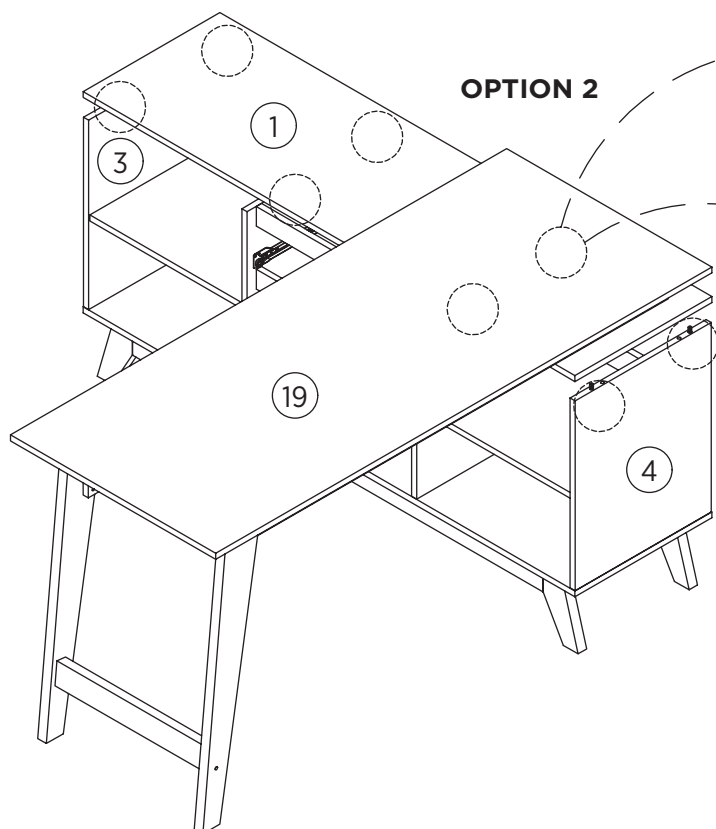
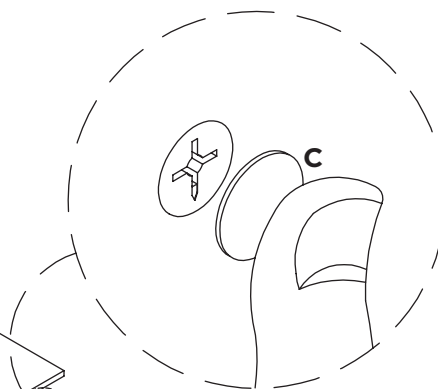
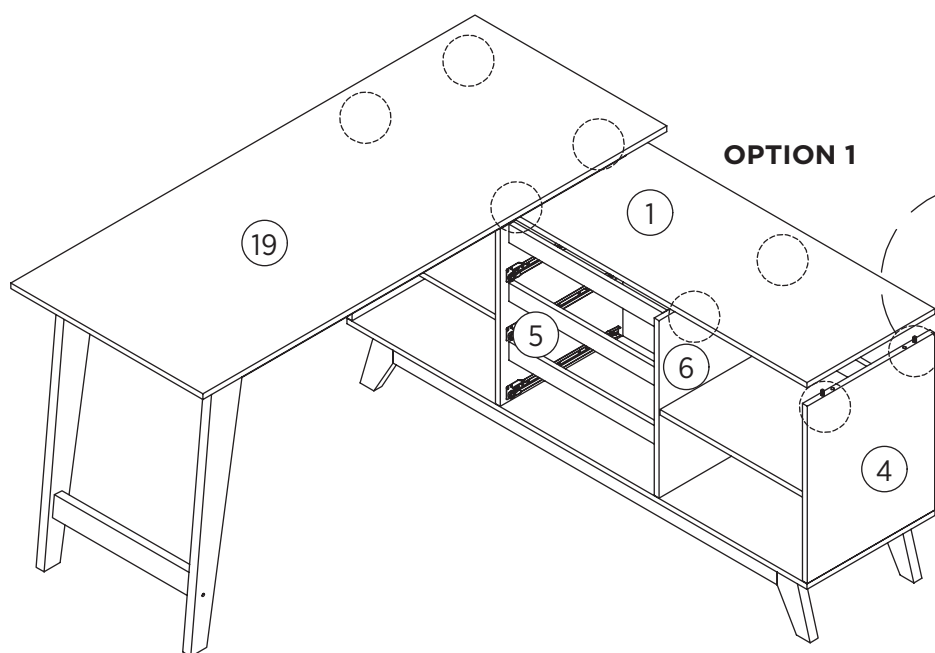
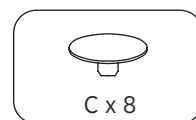
# ASSEMBLY INSTRUCTIONS

## STEP 20

Attach part 1 to parts 3, 4, 5 and 6, as shown.

Turn cam locks clockwise to tighten.

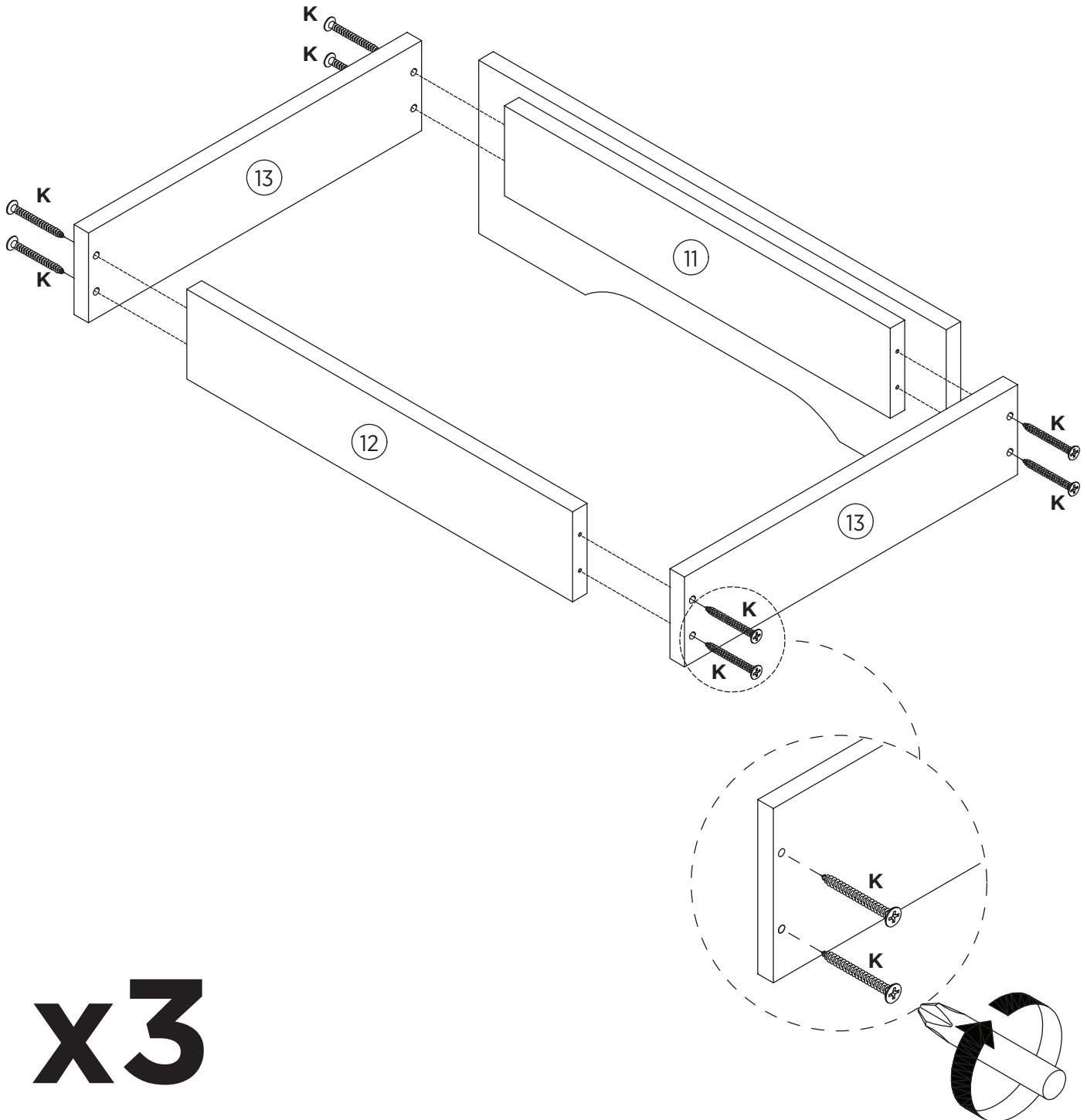
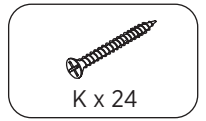
Attach cam lock covers (C) to parts 3, 4, 5 and 6, as shown.



# ASSEMBLY INSTRUCTIONS

## STEP 21

Fix parts 11 and 12 to parts 13 using screws (K), as shown.

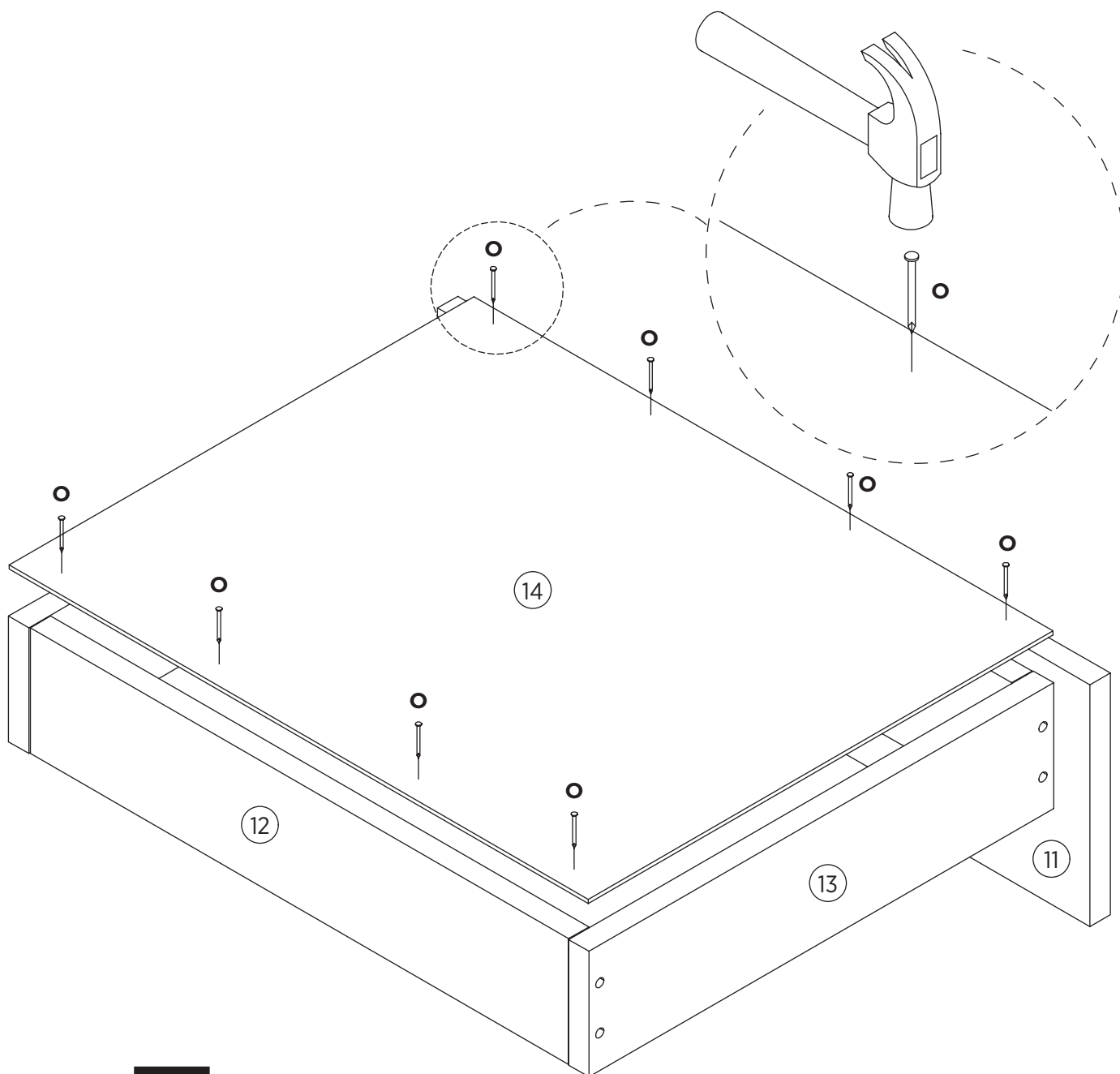
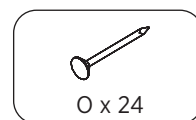


**x3**

# ASSEMBLY INSTRUCTIONS

## STEP 22

Fix part 14 to assembled drawers using nails (O), as shown.

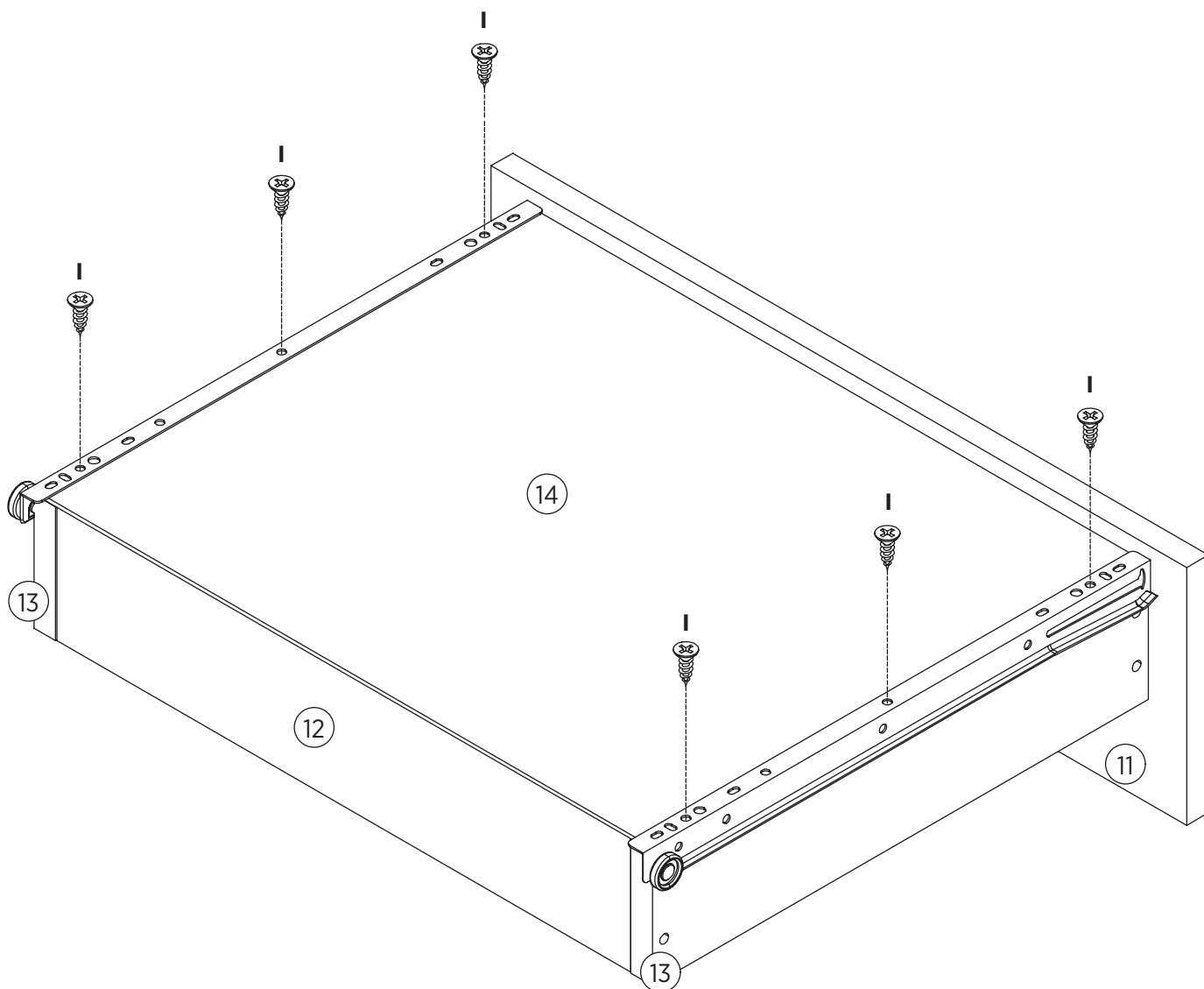
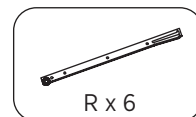
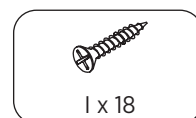


# x3

# ASSEMBLY INSTRUCTIONS

## STEP 23

Fix inner drawer runners (R) to parts 14 using screws (I), as shown.

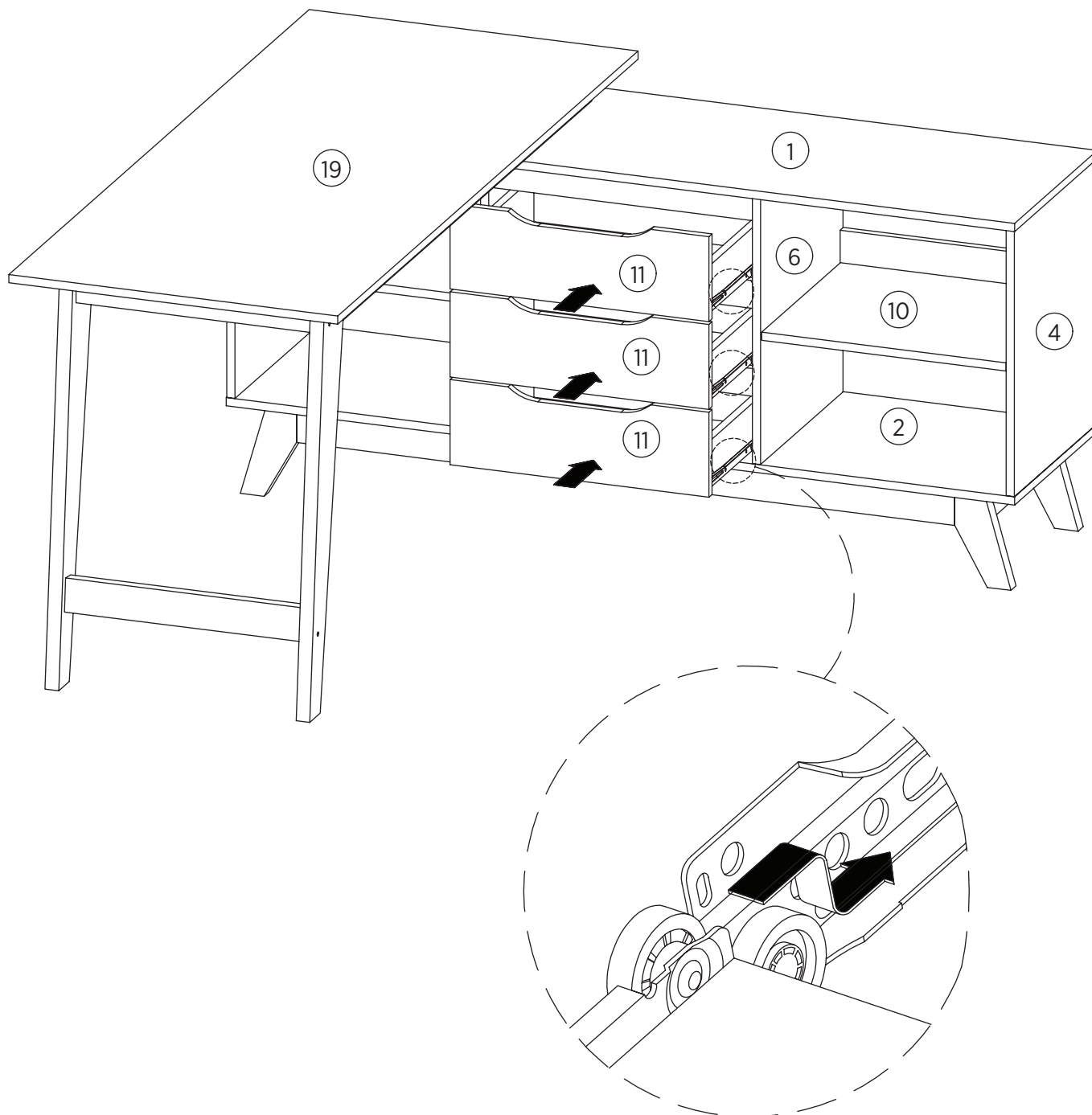


**x3**

# ASSEMBLY INSTRUCTIONS

## STEP 24

Insert drawers into assembled unit, as shown.



# ASSEMBLY INSTRUCTIONS

---

## STEP 25

**Please note: the maximum recommended weight for this desk is :**

- **Each Top: 15KG**
- **Each Drawer: 10KG**
- **Each Shelf: 10KG**

Your desk is ready for use.

