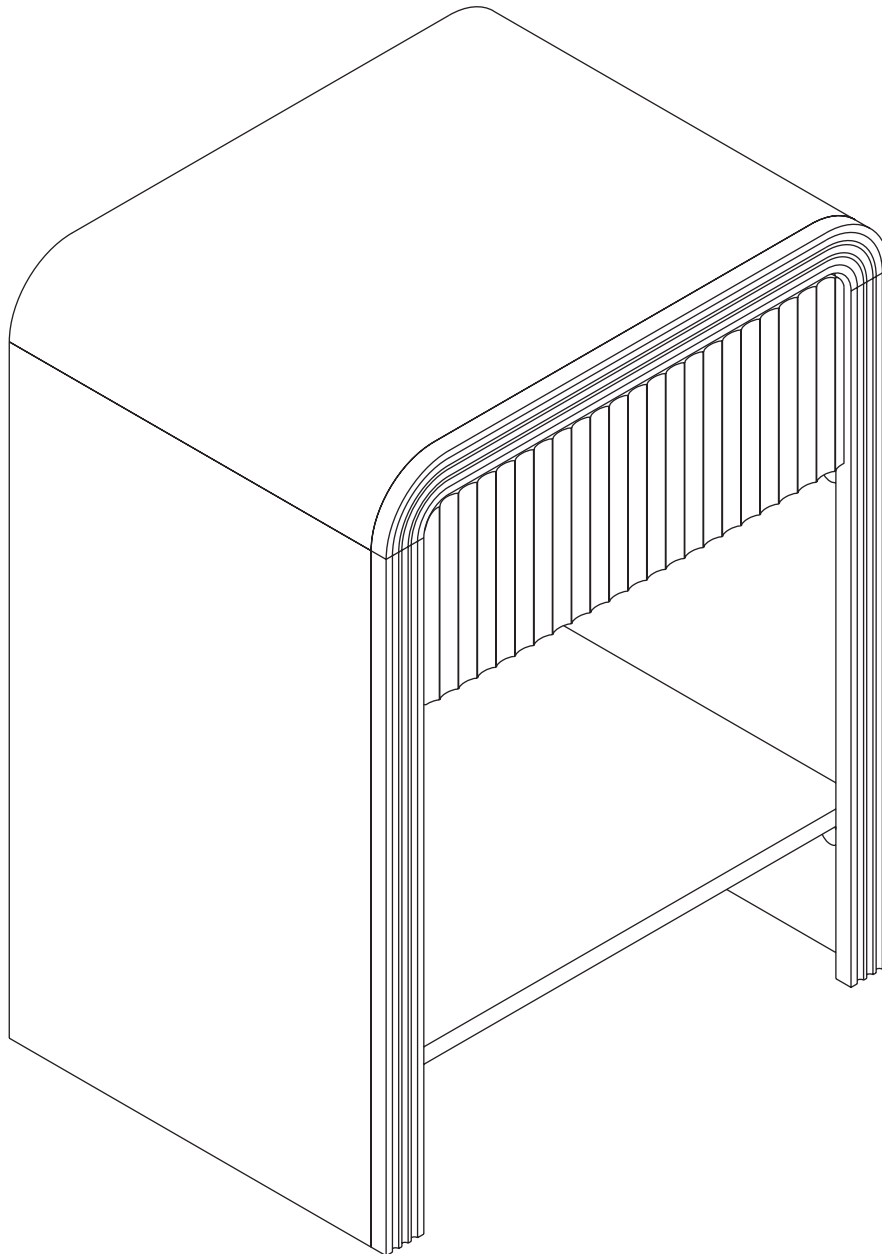


ARCHED BEDSIDE 1 DRAWER

ASSEMBLY INSTRUCTIONS



TIPS BEFORE YOU START

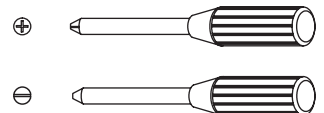
1. Please check that all parts are present before you start the assembly of your furniture.
2. For ease and speed of assembly, we recommend that before you commence each step of the assembly, that you identify all the parts required for that step.
3. For larger items, please ensure that you have sufficient space and people to assemble your product safely.
4. We recommend that, where possible, all items are assembled near to the area in which they will be placed in use, to avoid moving the product unnecessarily once assembled.
5. For the protection of your furniture, we recommend that the product is placed on a protected surface during assembly to prevent any damage.
6. During assembly please take care not to over-tighten any fittings, as this may damage the product. Do not use power tools.
7. Always place the product on a flat, steady and stable surface.
8. Do not stand on the product. Do not use the product as a stepladder.
9. This product is intended for indoor, household use only as it is a non-industrial product.
10. Please use caution and care when lifting the product to avoid personal injury and/or product damage.

CARE AND MAINTENANCE OF YOUR FURNITURE

- Please periodically check all fittings and re-tighten as necessary.
- To clean your item, please use a damp cloth and wipe clean.
- To clean glass, please use glass cleaner.
- Never allow any kind of liquid to remain on your furniture. Absorption can cause wood to warp or finishes to de-laminate.
- Please do not place hot items (eg. hot drinks) directly on to the surface.
- Please do not drag and pull your furniture.

ASSEMBLY REQUIREMENTS

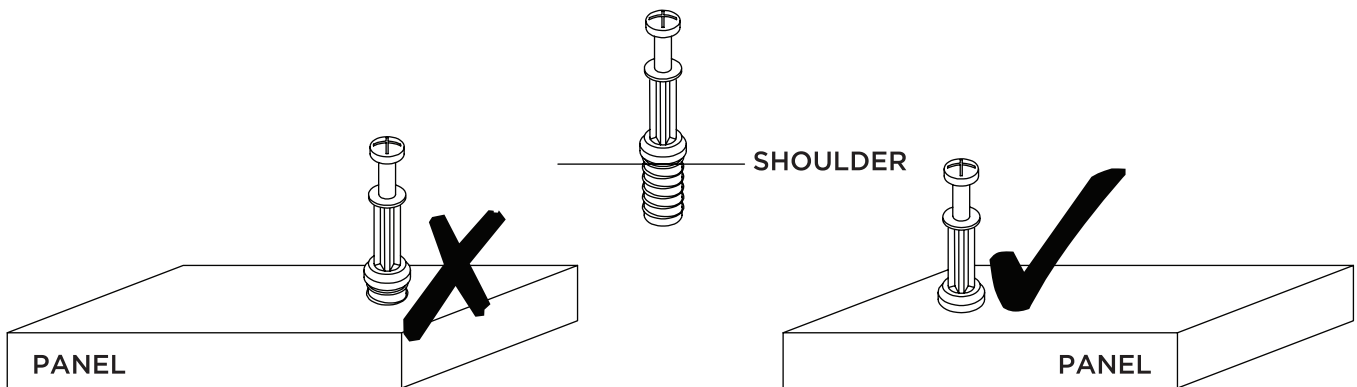
- Equipment: phillips head screwdriver, flat head screwdriver
- 1 x adult required
- 1m x 1.5m assembly space required
- 1 hour assembly time approx.



USING CAM LOCK AND QUICKFIT

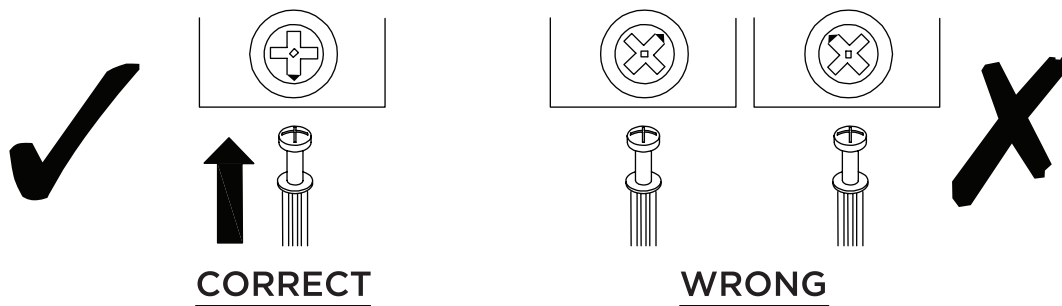
QUICKFIT

Tighten quickfit until shoulder is flush with panel. Do not overtighten or undertighten.



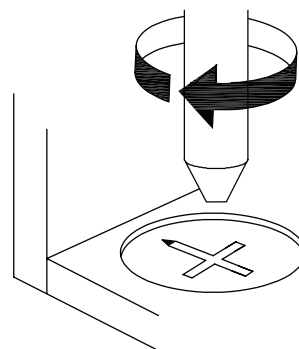
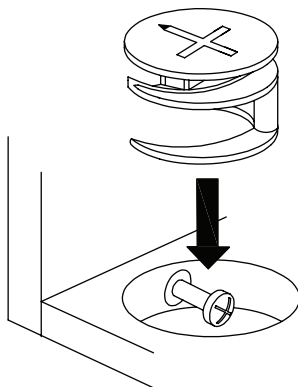
CAM LOCK

When fitting cam lock, ensure starting position is correct before you insert connecting quickfit.

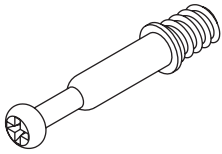


Quickfit head should be in the centre of the cam lock when the two panels are joined. Cam lock should be inserted before quickfit.

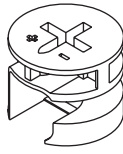
Turn cam lock clockwise to tighten.



HARDWARE LIST



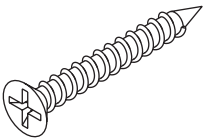
22 x A
Quickfit Screw



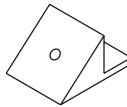
22 x B
Cam Lock



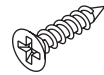
20 x C
Wooden Dowel



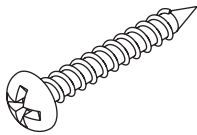
4 x D
Screw



2 x E
Wedge



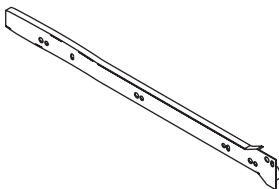
8 x F
Screw



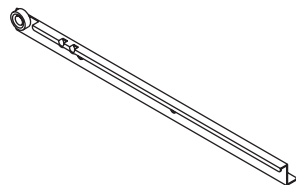
4 x G
Screw



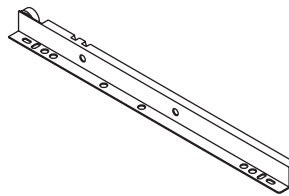
2 x H
Screw



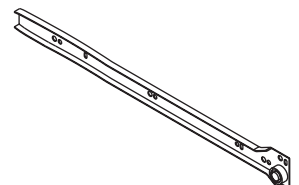
1 x CL
Outer Drawer runner
Left



1 x DL
Inner Drawer Runner
Left

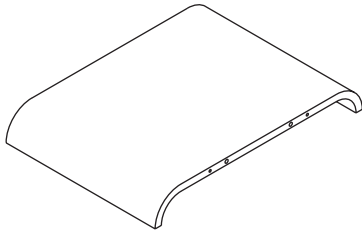


1 x DR
Inner Drawer Runner
Right

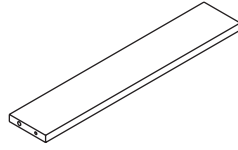


1 x CR
Outer Drawer Runner
Right

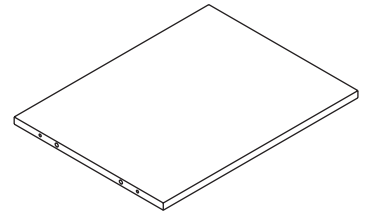
PARTS LIST



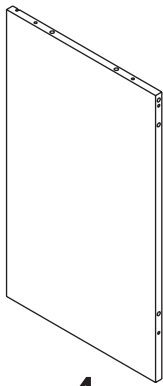
1
1 PC



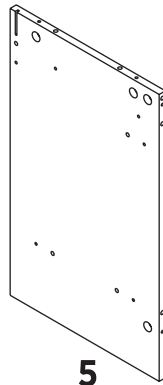
2
1 PC



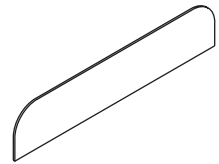
3
1 PC



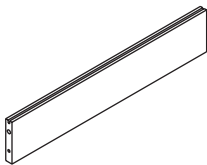
4
1 PC



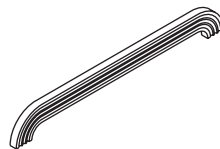
5
1 PC



6
1 PC



7
1 PC



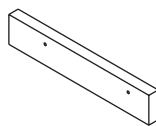
8
1 PC



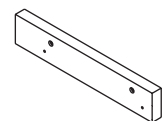
9
1 PC



10
1 PC

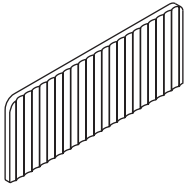


11
1 PC

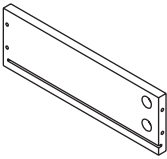


12
1 PC

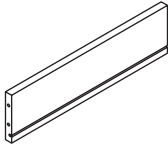
PARTS LIST (CONT.)



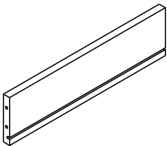
13
1 PC



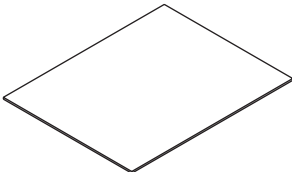
14
1 PC



15
1 PC



16
1 PC



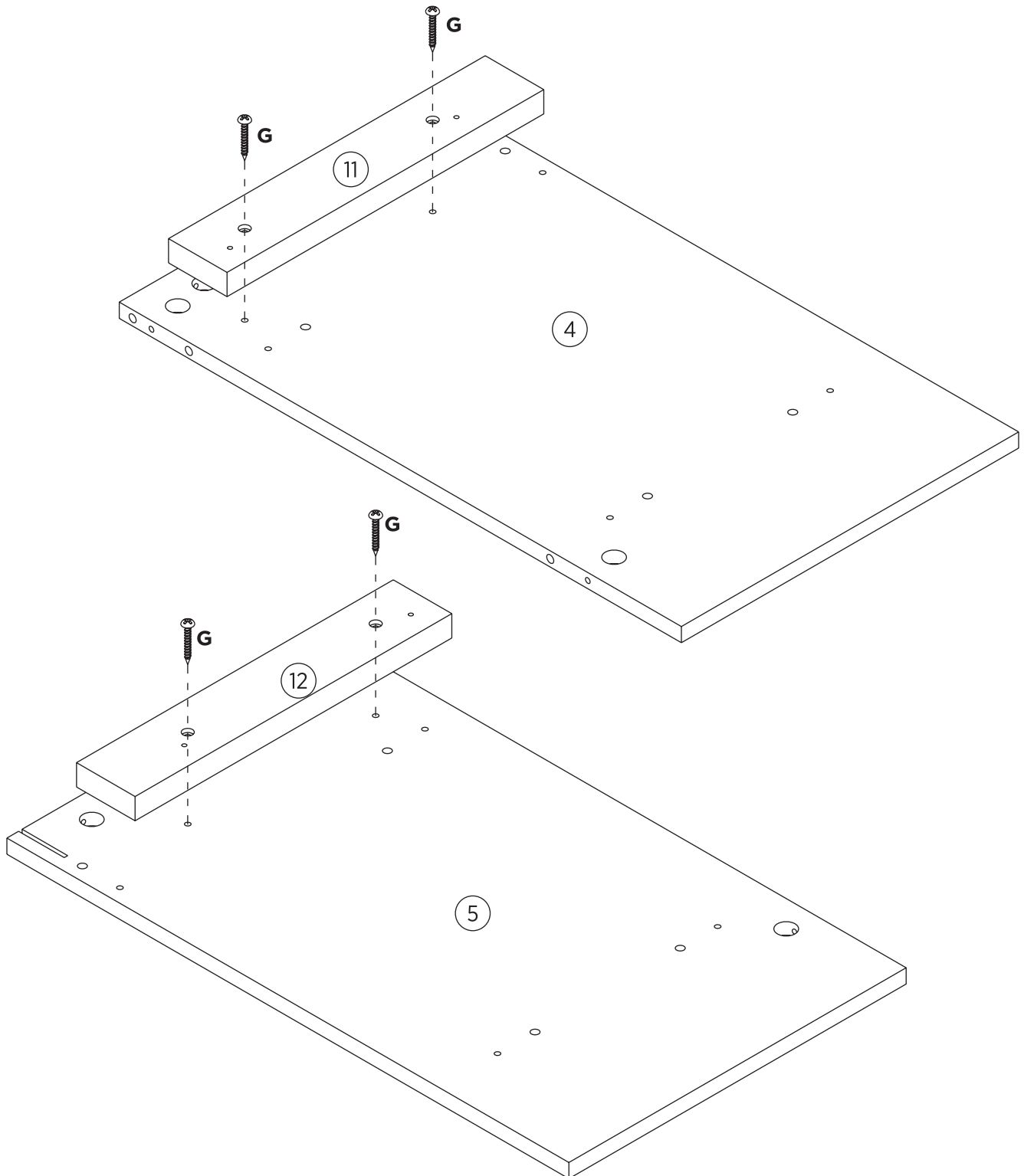
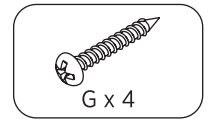
17
1 PC

ASSEMBLY INSTRUCTIONS

STEP 1

Fix part 11 to part 4 using screws (G).

Fix part 12 to part 5 using screws (G), as shown.



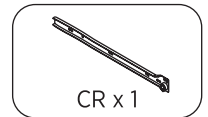
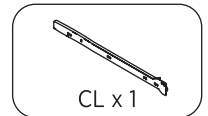
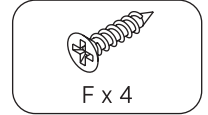
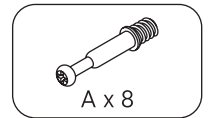
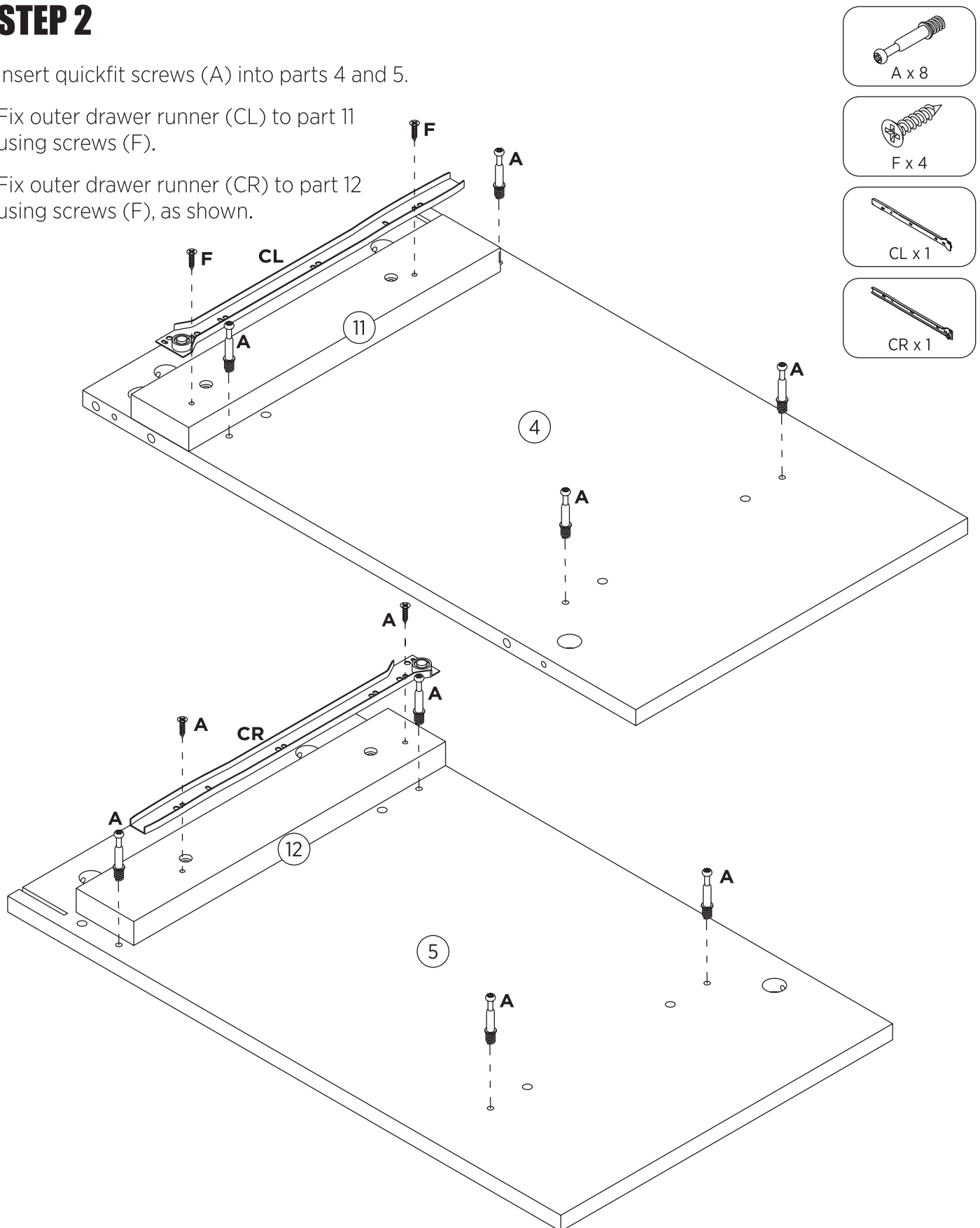
ASSEMBLY INSTRUCTIONS

STEP 2

Insert quickfit screws (A) into parts 4 and 5.

Fix outer drawer runner (CL) to part 11 using screws (F).

Fix outer drawer runner (CR) to part 12 using screws (F), as shown.



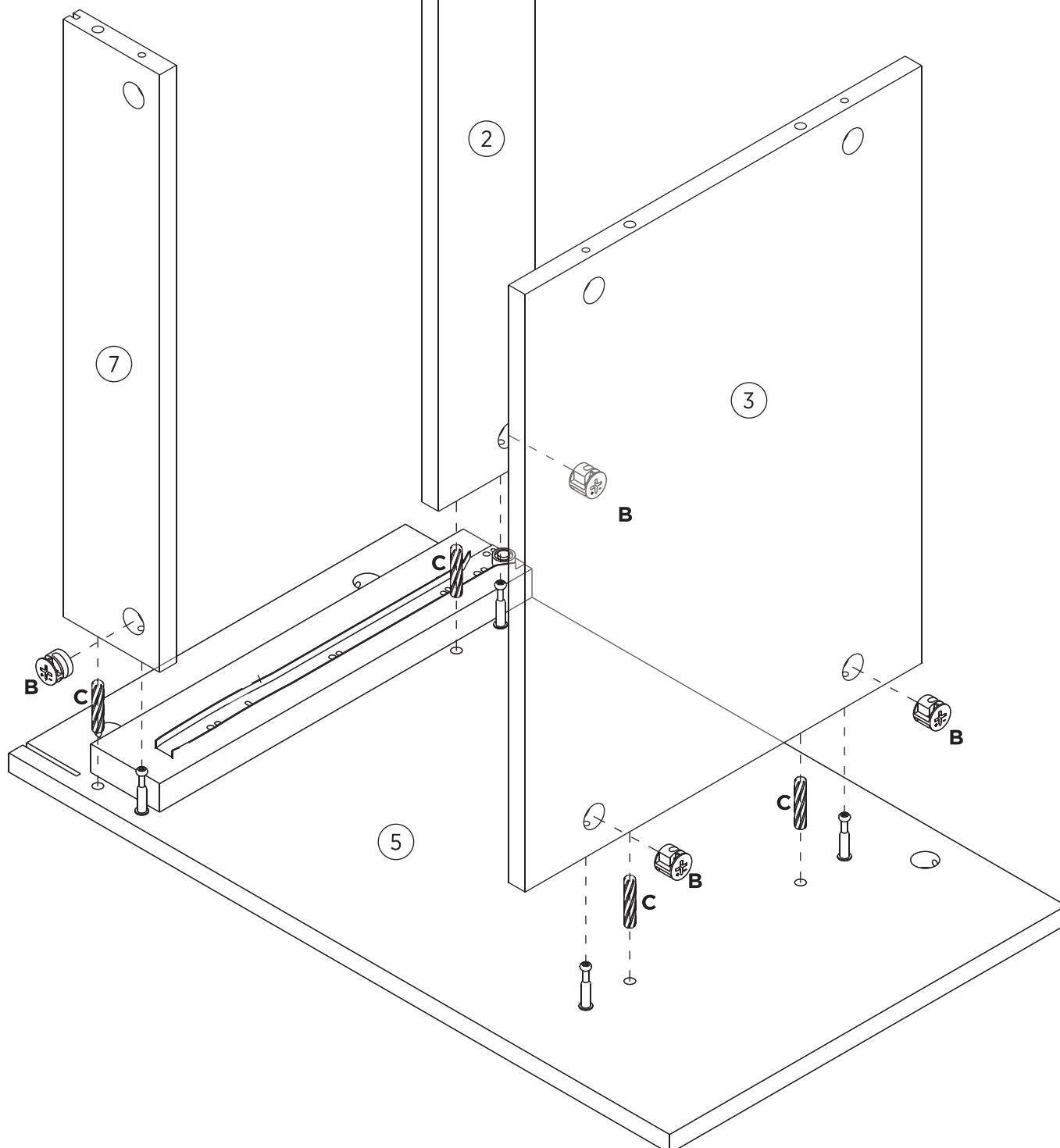
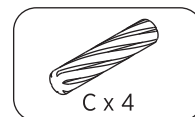
ASSEMBLY INSTRUCTIONS

STEP 3

Insert cam locks (B) and wooden dowels (C) to parts 2, 3 and 7.

Attach parts 2, 3 and 7 to part 5.

Turn cam locks clockwise to tighten.



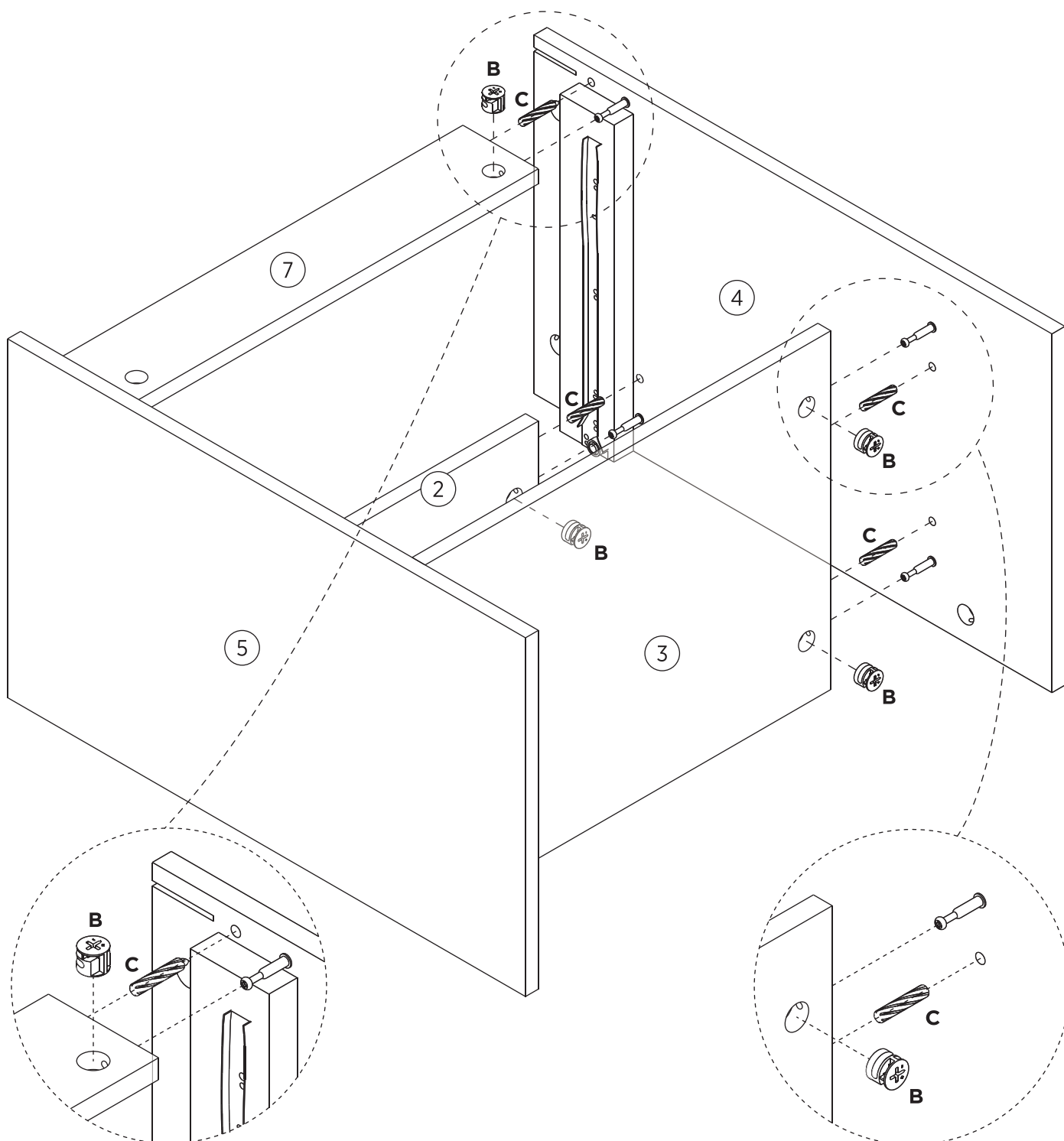
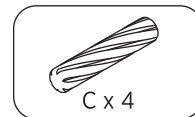
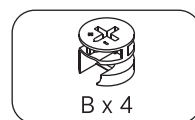
ASSEMBLY INSTRUCTIONS

STEP 4

Insert cam locks (B) and wooden dowels (C) to parts 2, 3 and 7.

Attach parts 2, 3 and 7 to part 4.

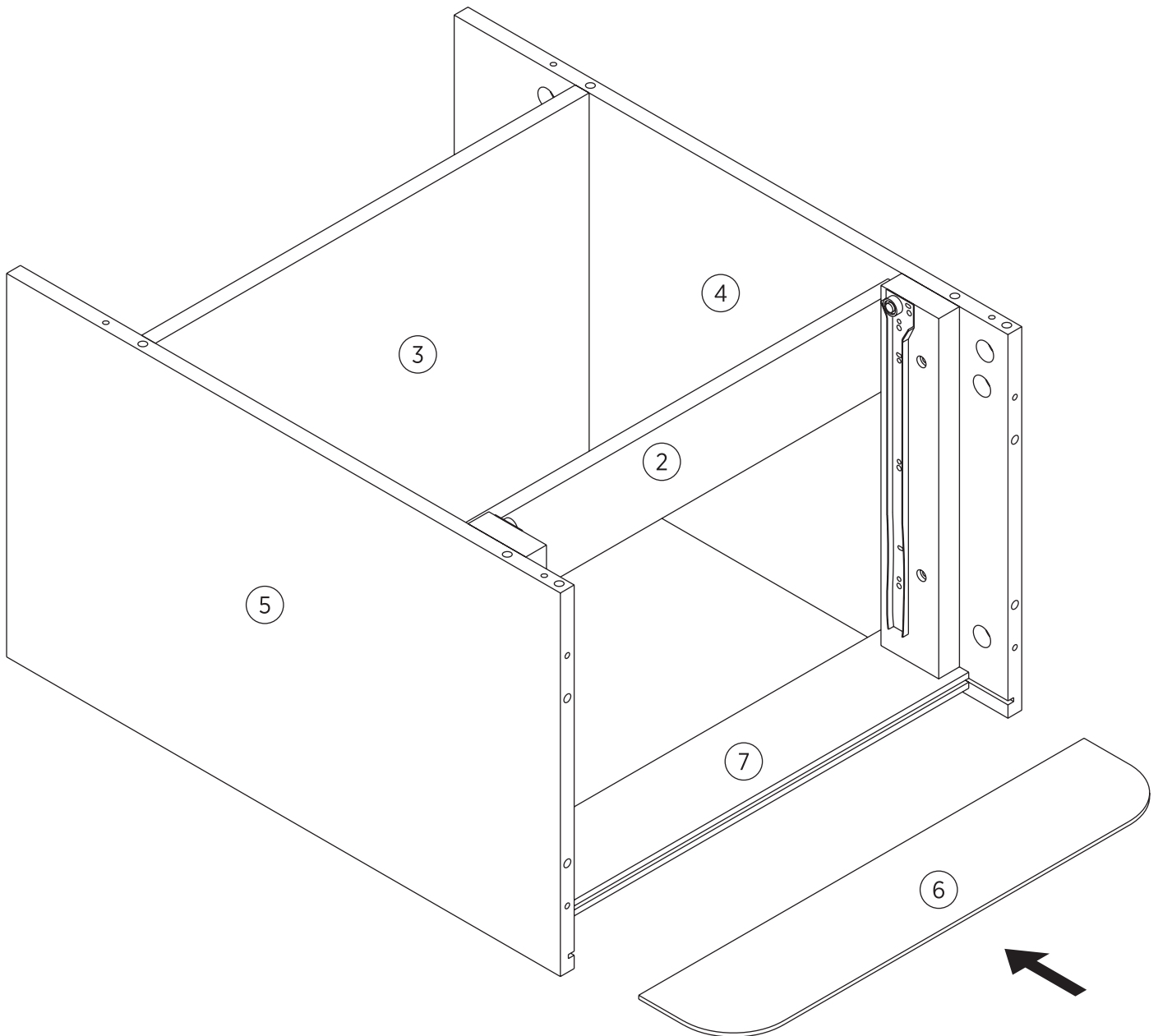
Turn cam locks clockwise to tighten.



ASSEMBLY INSTRUCTIONS

STEP 5

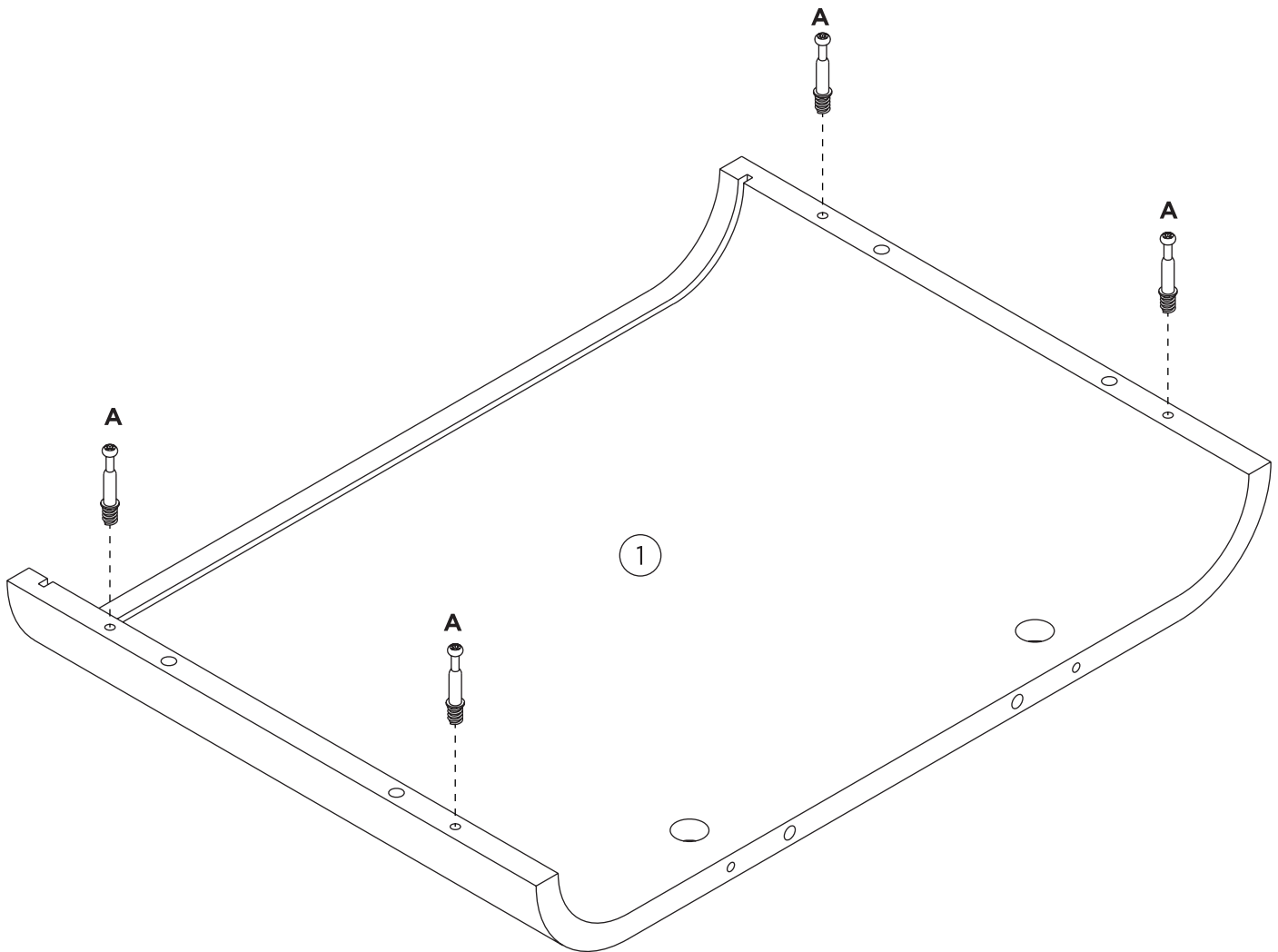
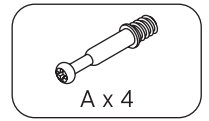
Insert part 6 into grooves between parts 4, 5 and 7, as shown.



ASSEMBLY INSTRUCTIONS

STEP 6

Insert quickfit screws (A) to part 1, as shown.



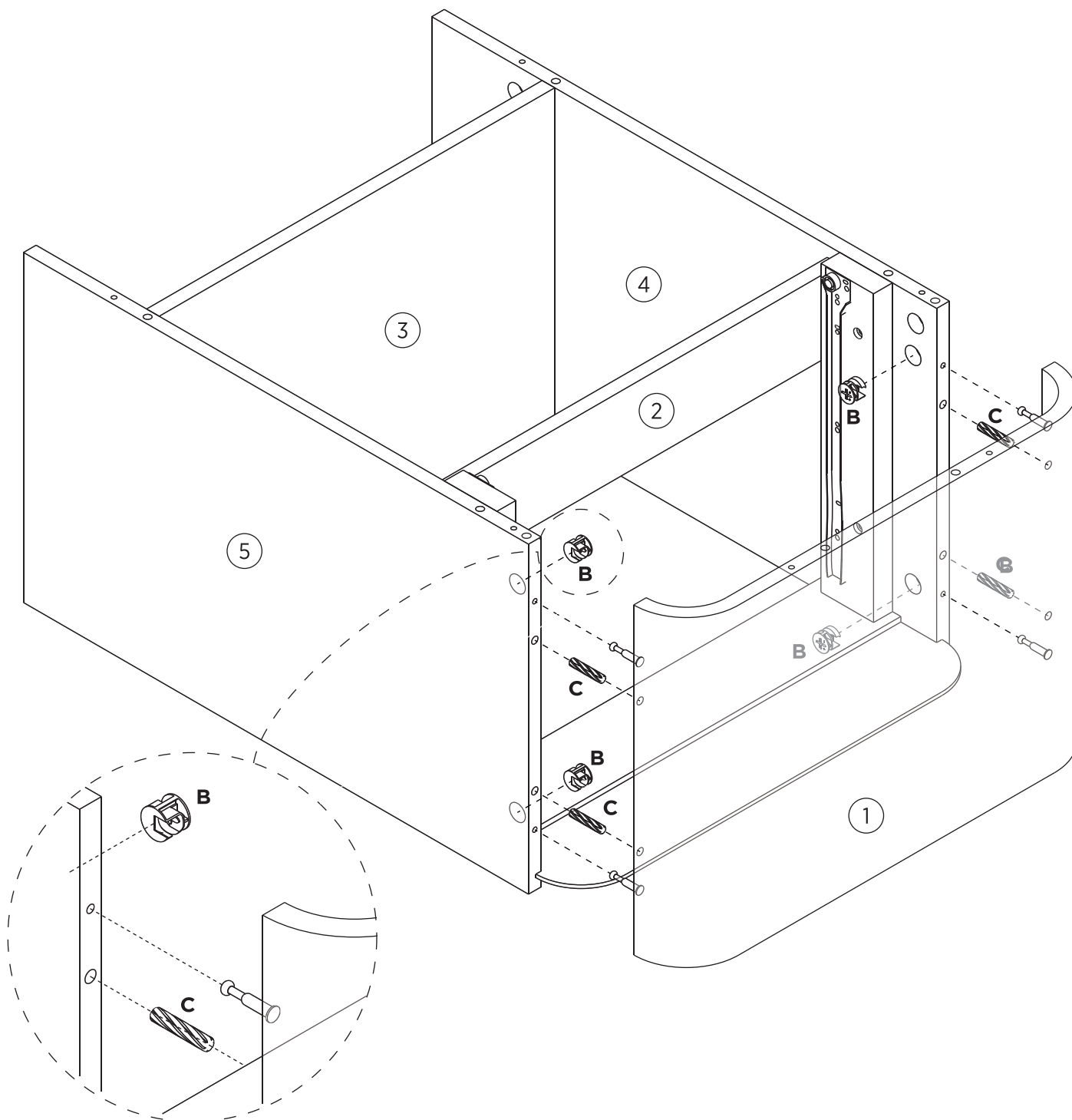
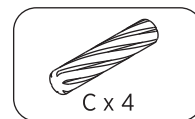
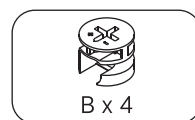
ASSEMBLY INSTRUCTIONS

STEP 7

Insert cam locks (B) and wooden dowels (C) to parts 4 and 5.

Attach part 1 to parts 4 and 5, as shown.

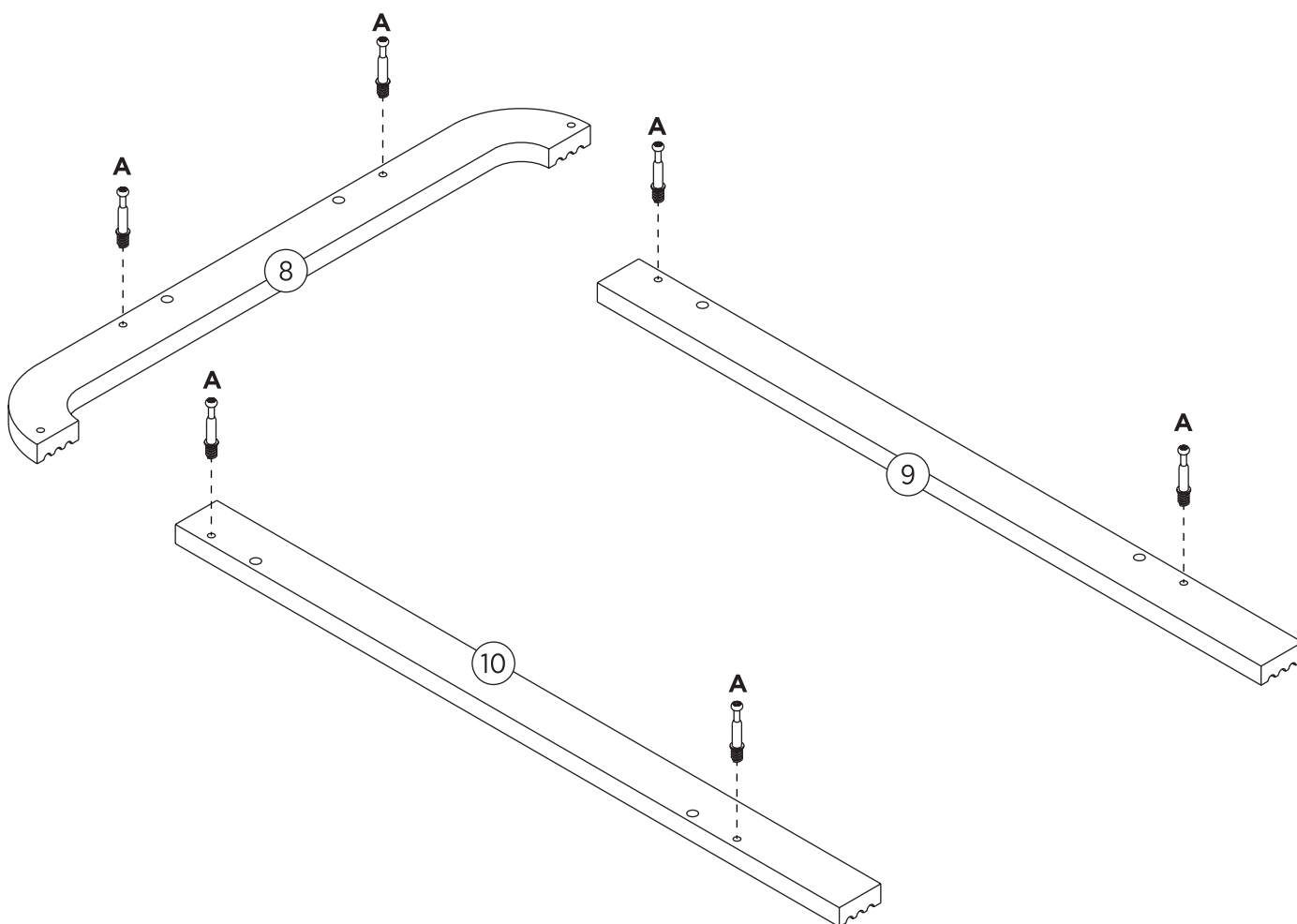
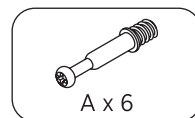
Turn cam locks clockwise to tighten.



ASSEMBLY INSTRUCTIONS

STEP 8

Insert quickfit screws (A) to parts 8, 9 and 10, as shown.



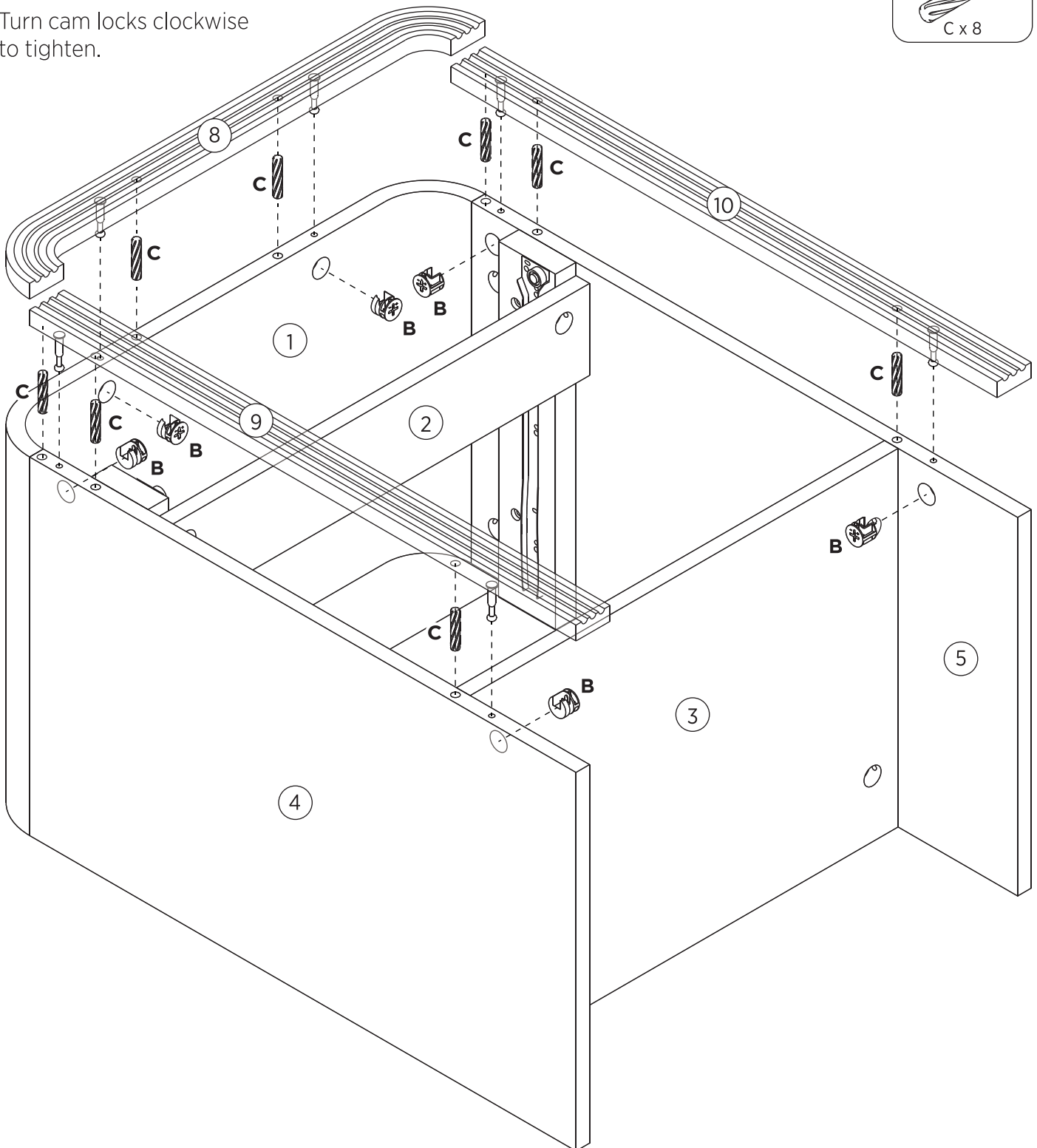
ASSEMBLY INSTRUCTIONS

STEP 9

Insert cam locks (B) and wooden dowels (C) to parts 1, 4 and 5.

Attach parts 8, 9 and 10 to assembled unit, as shown.

Turn cam locks clockwise to tighten.

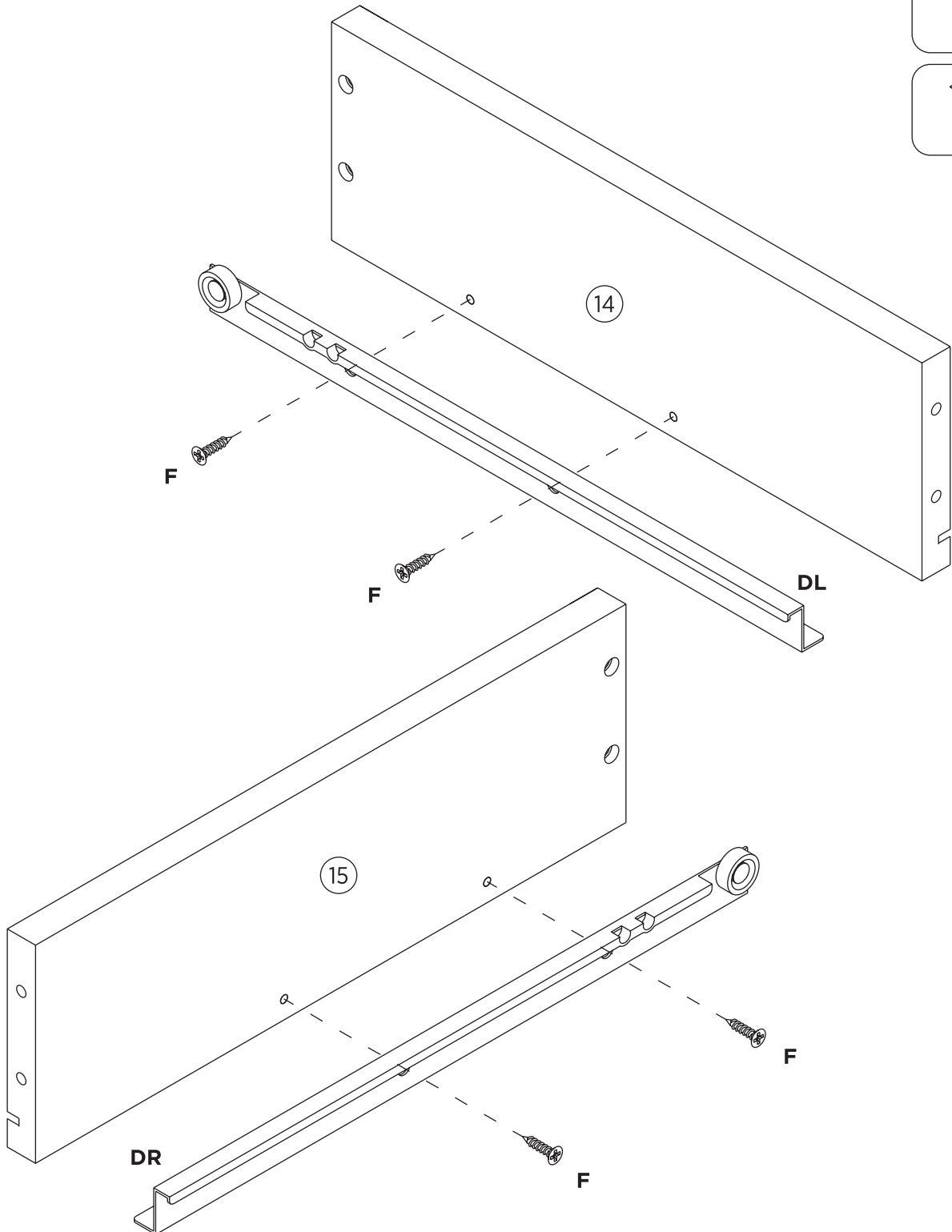
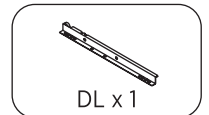
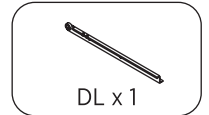
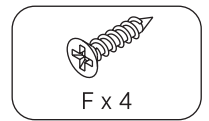


ASSEMBLY INSTRUCTIONS

STEP 10

Fix inner drawer runner (DL) to part 14 using screws (F).

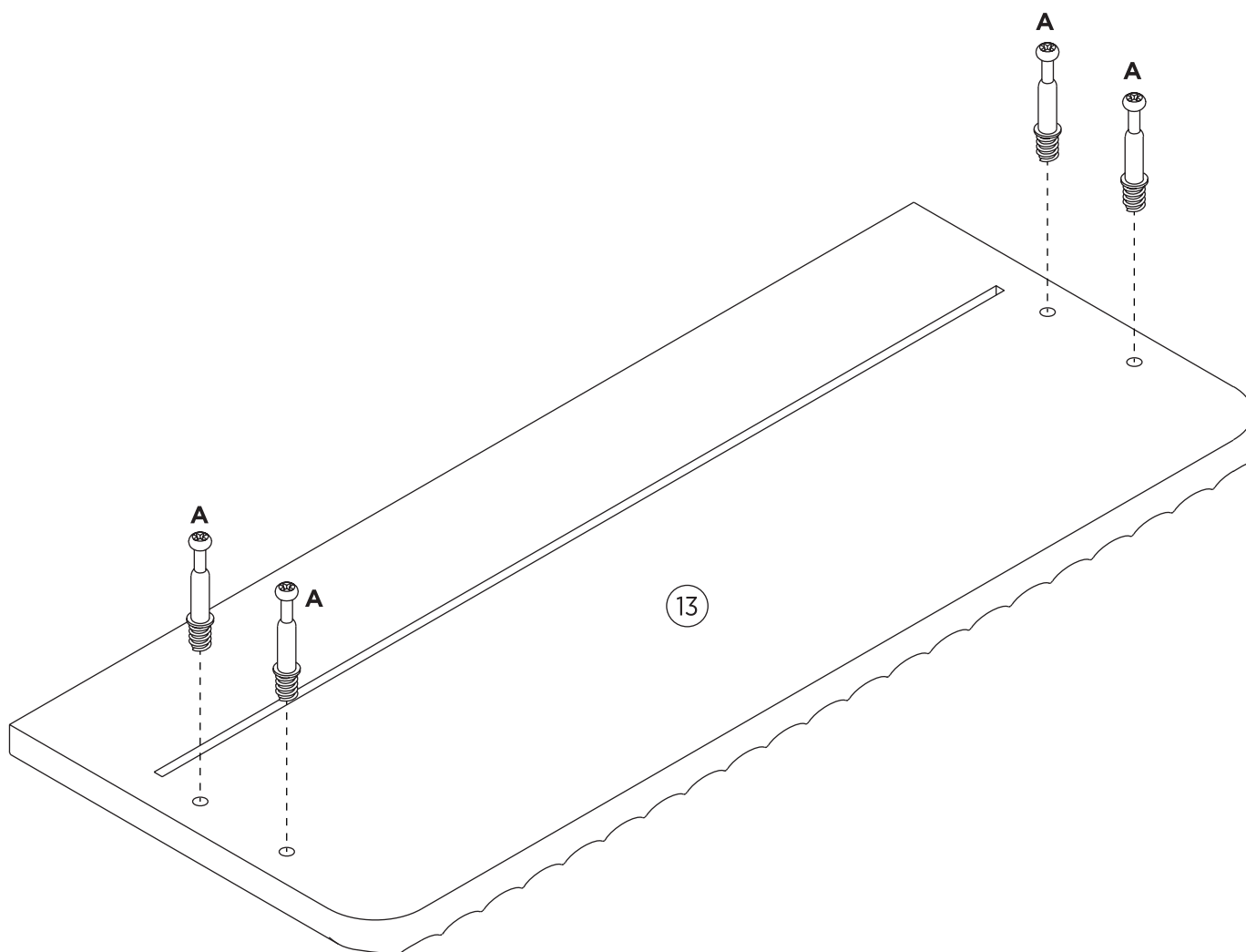
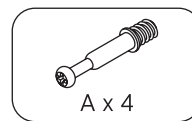
Fix inner drawer runner (DR) to part 15 using screws (F), as shown.



ASSEMBLY INSTRUCTIONS

STEP 11

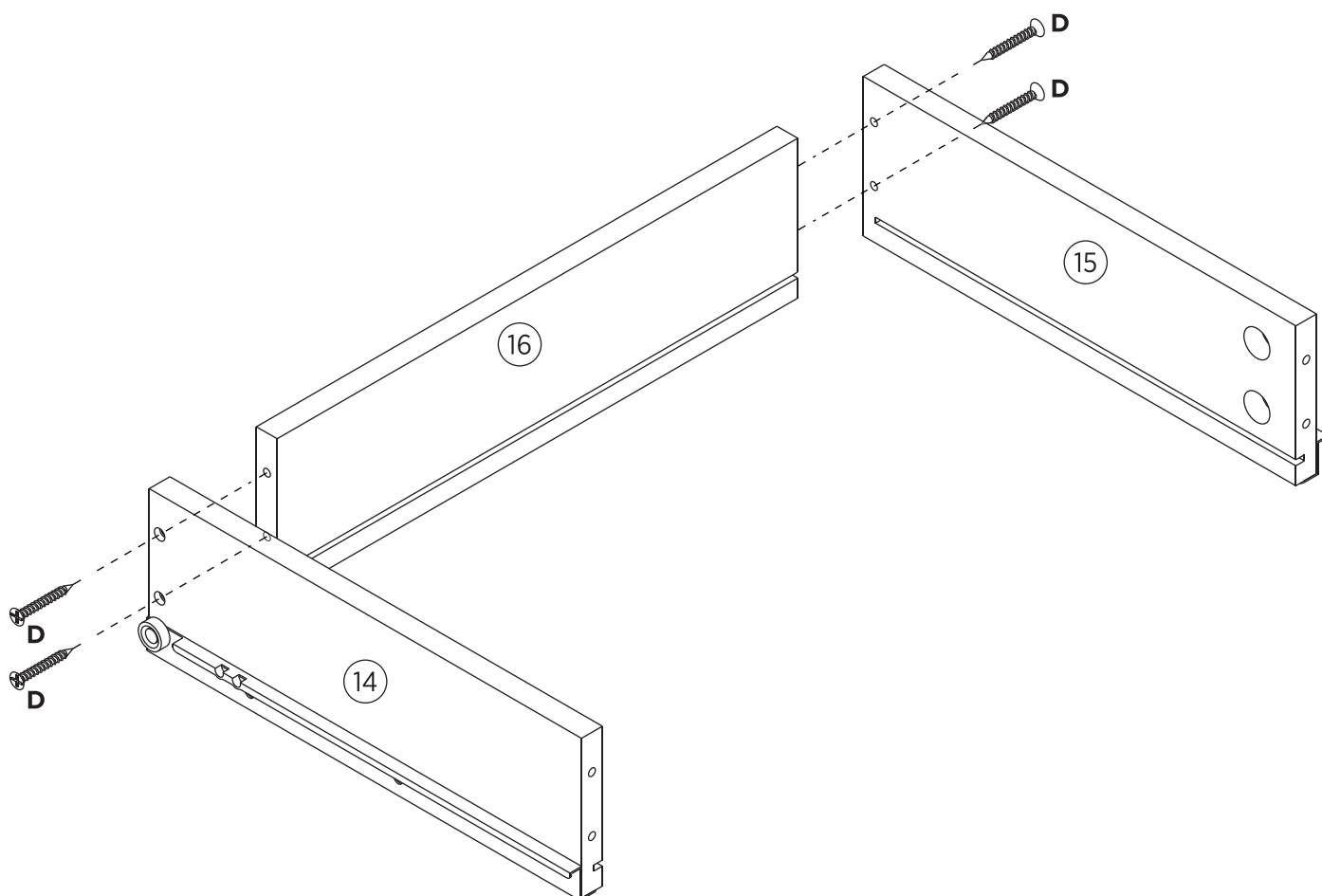
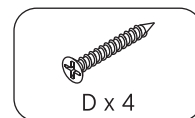
Insert quickfit screws (A) to part 13.



ASSEMBLY INSTRUCTIONS

STEP 12

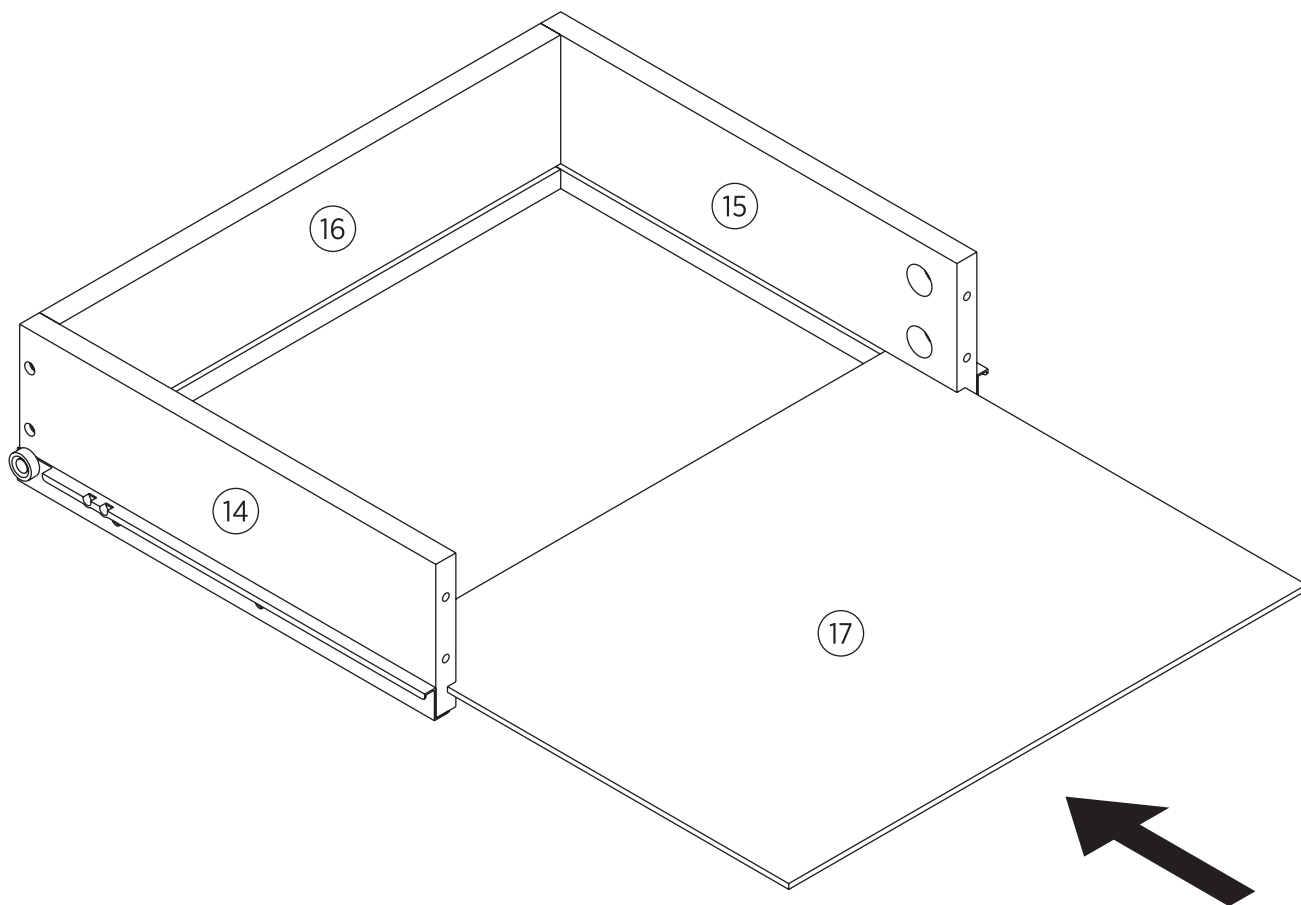
Fix parts 14 and 15 to part 16 using screws (D), as shown.



ASSEMBLY INSTRUCTIONS

STEP 13

Insert part 17 into grooves between parts 14, 15 and 16, as shown.



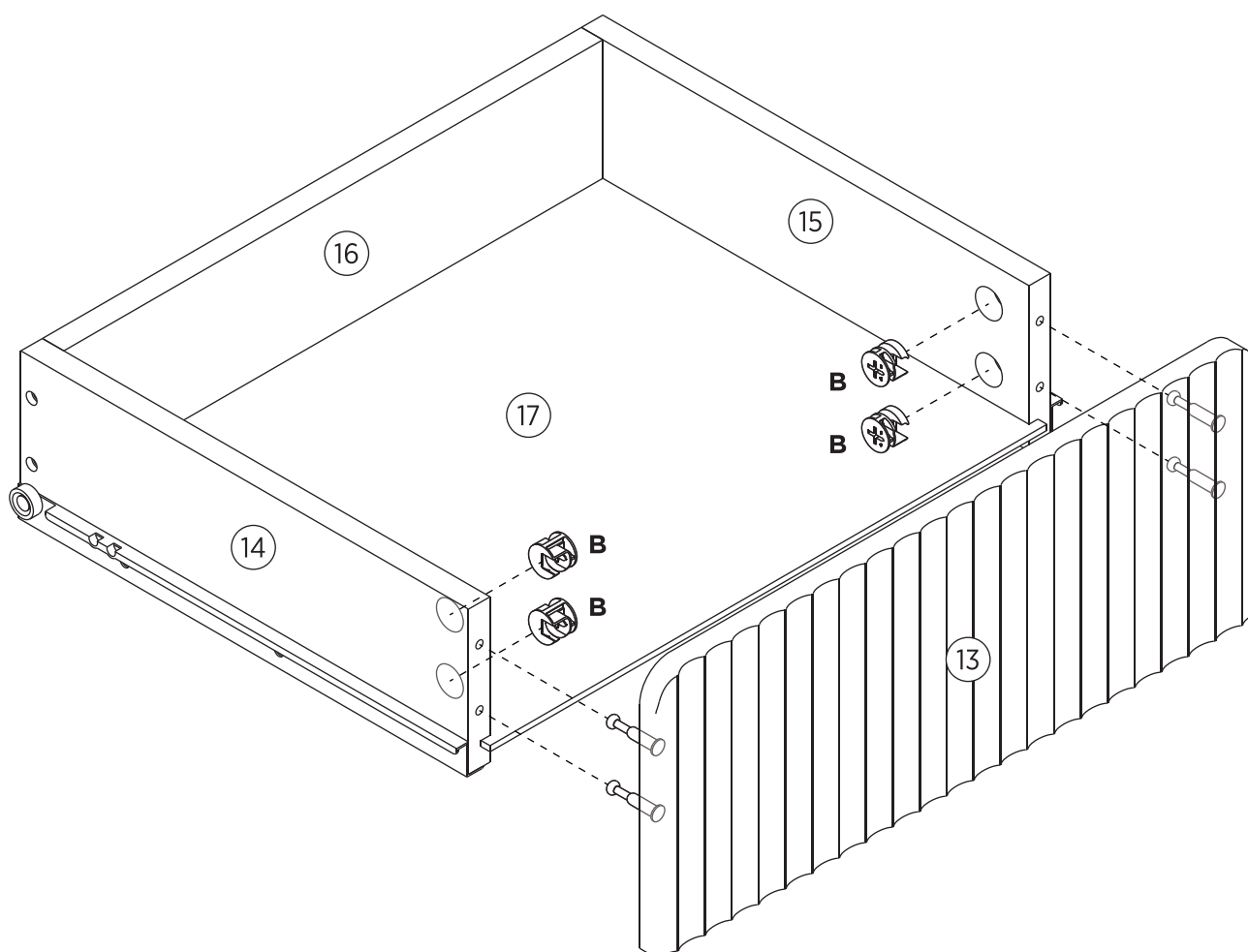
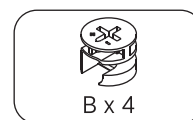
ASSEMBLY INSTRUCTIONS

STEP 14

Insert cam locks (B) to parts 14 and 15.

Attach part 13 to parts 14, 15 and 17, as shown.

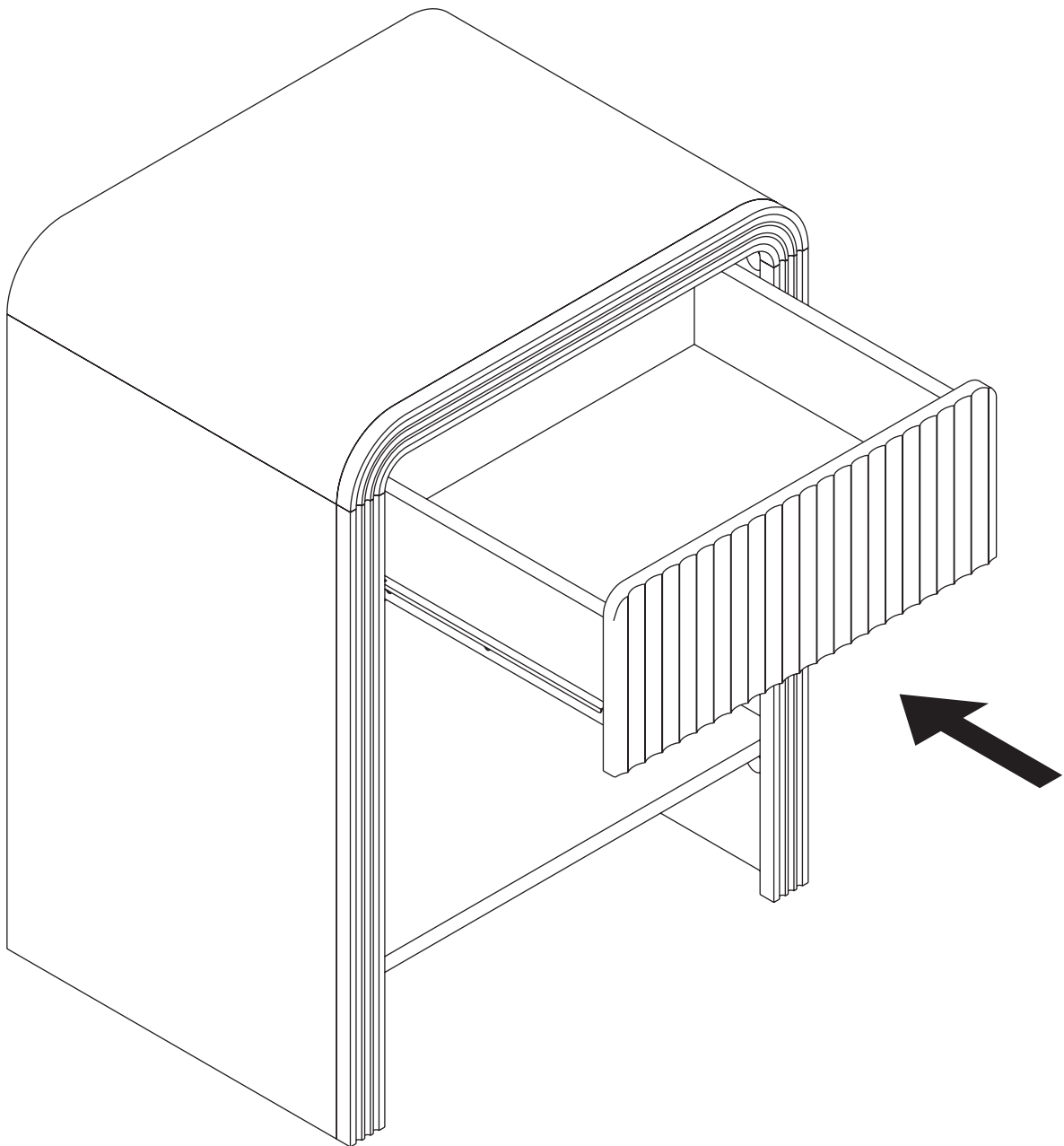
Turn cam locks clockwise to tighten.



ASSEMBLY INSTRUCTIONS

STEP 15

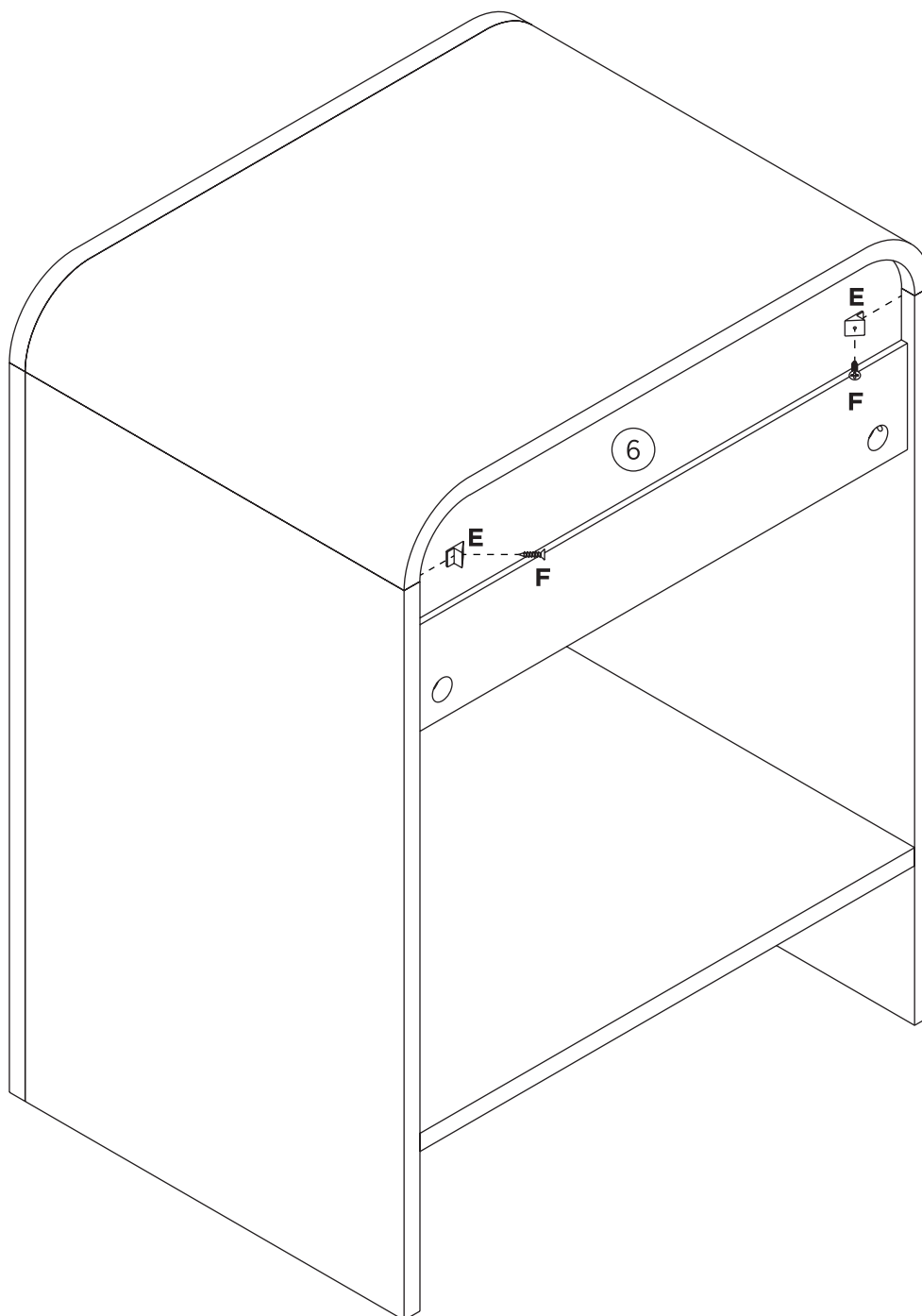
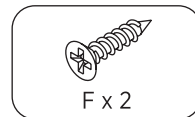
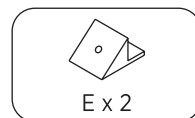
Insert drawer into assembled bedside, as shown.



ASSEMBLY INSTRUCTIONS

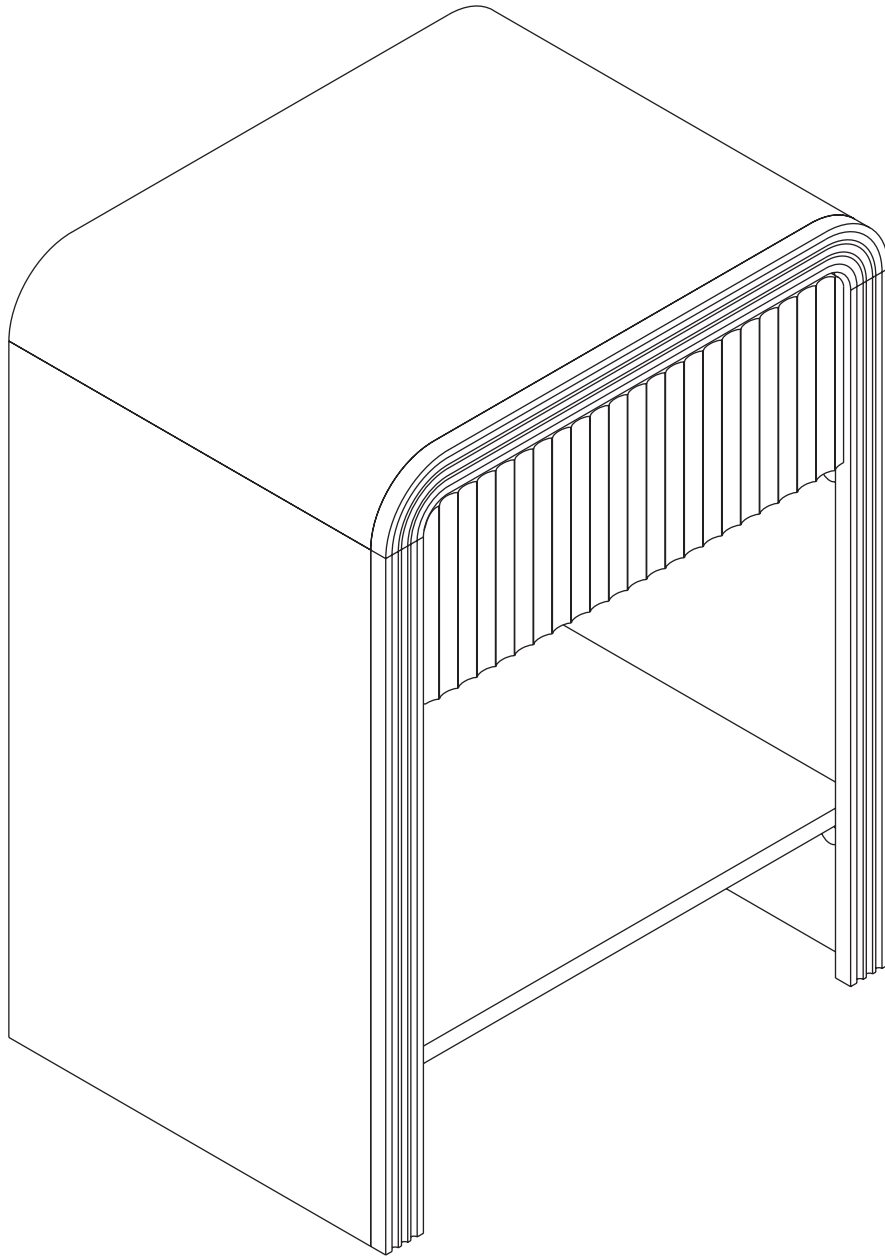
STEP 16

To secure part 6, fix wedges (E) using screws (F), as shown.



ASSEMBLY INSTRUCTIONS

STEP 17



Maximum recommended weight for drawer and shelf is 5kg and 10kg for table top.

Your bedside is ready for use.