

# ASSEMBLY INSTRUCTIONS

PAGE: 1/6

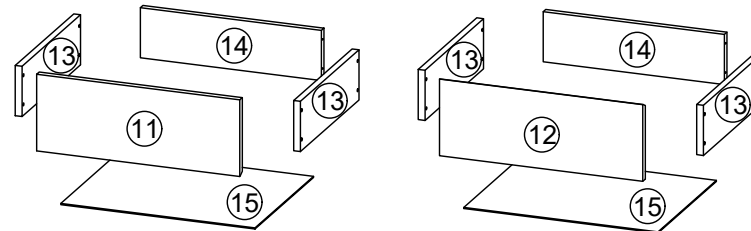
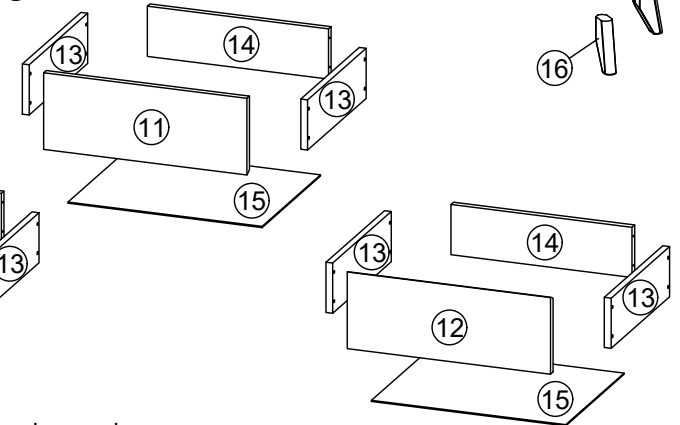
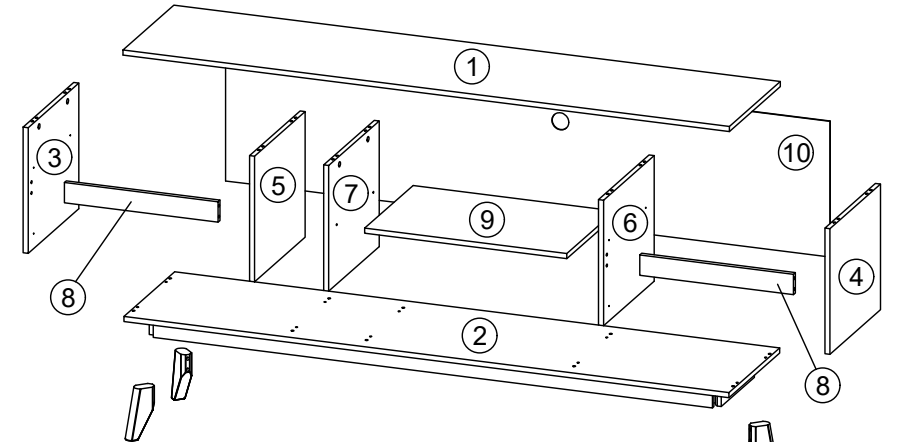
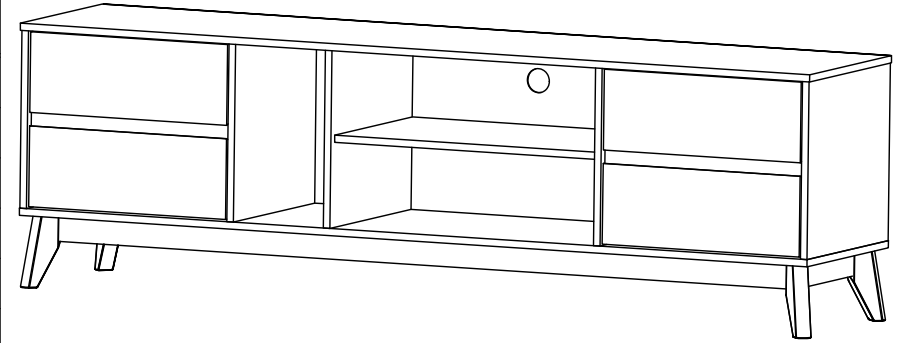
MODEL : UH 7159

Before you begin, please follow assembly instructions carefully, then follow them step by step.

Read instruction carefully . See Furniture Parts list and Hardware List for guidance . Be sure you have all parts before you start assembling . Place and assemble furniture on a clean flat soft surface , such as carpet or rug to prevent being scratched .

PART LIST		QTY
1	TOP PANEL	1 PC
2	BOTTOM PANEL	1 PC
3	SIDE PANEL (L)	1 PC
4	SIDE PANEL (R)	1 PC
5	CENTER PANEL (L)	1 PC
6	CENTER PANEL (R)	1 PC
7	CENTER PANEL	1 PC
8	BONE PANEL	2 PCS
9	SHELF PANEL	1 PC
10	BACK PANEL	1 PC
11	DRAWER FRONT (UP)	2 PCS
12	DRAWER FRONT (DOWN)	2 PCS
13	DRAWER SIDE	8 PCS
14	DRAWER BACK	4 PCS
15	DRAWER BOTTOM	4 PCS
16	LEG	4 PCS

HARDWARE			
A	MINI FIX	A1  A2  A3	10 PCS
B	M8 X 30MM WOOD DOWEL		28 PCS
C	M6 X 50MM CSK CAP WOOD SCREW		10 PCS
D	5/8 NAIL		67 PCS
E	ALLEN KEY M4		1 PC
F	ONE HOLE L BRACKET (2MM)		4 PCS
G	M3.5 X 16MM C.B SCREW		56 PCS
H	M4 X 38MM C.B SCREW		32 PCS
I	METAL SHELF SUPPORT		4 PCS
J	14" DRAWER SLIDE	J1 (L/R)  J2 (L/R)	4 SETS
K	JCBC Screw M6 x 70		8 PCS
L	SPRING WASHER M6		8 PCS
M	FLAT WASHER M6		8 PCS
N	ANTI-TIPPING PACK WITH AI	N1  N2  N3  N4	2 SETS
O	WALL PLUG ( NOT INCLUDED )		-



SELF-PREPARED TOOLS: Tools below are NOT included in package.	
SCREWDRIVER	HAMMER

## Reminder:

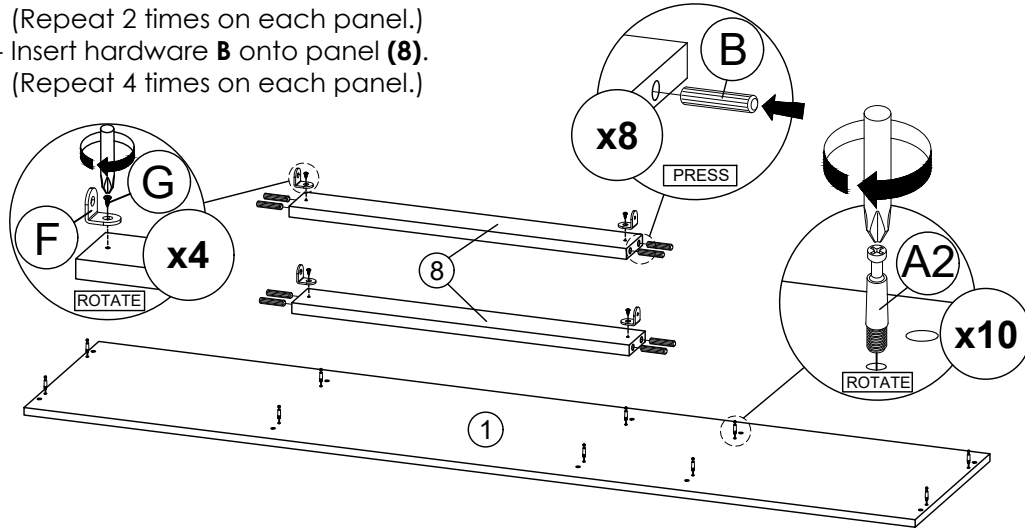
Please ensure that all surfaces and edges with colours/laminations are facing forward/outward.

# ASSEMBLY INSTRUCTIONS

# MODEL : UH 7159

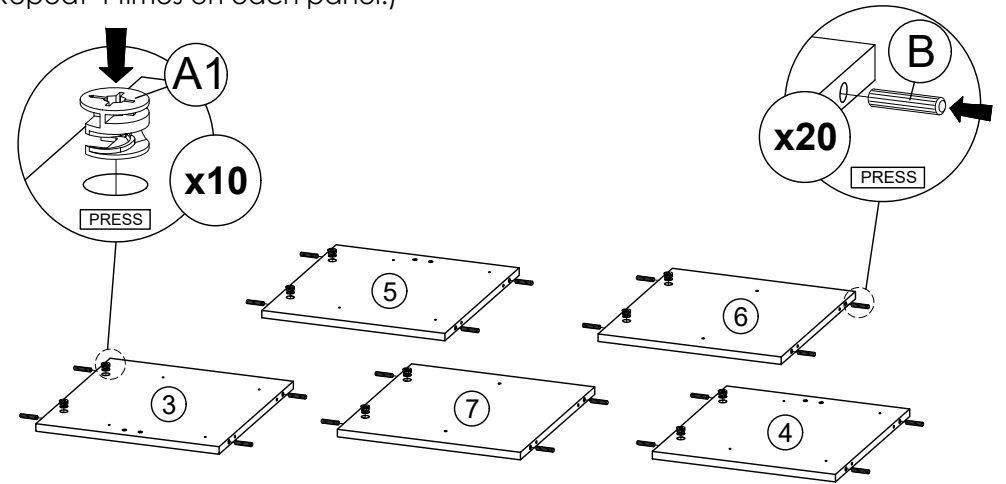
## STEP 1

- Insert hardware **A2** onto panel **(1)**.  
(Repeat 10 times.)
- Assemble hardware **F** to panel **(8)** with hardware **G**.  
(Repeat 2 times on each panel.)
- Insert hardware **B** onto panel **(8)**.  
(Repeat 4 times on each panel.)



## STEP 2

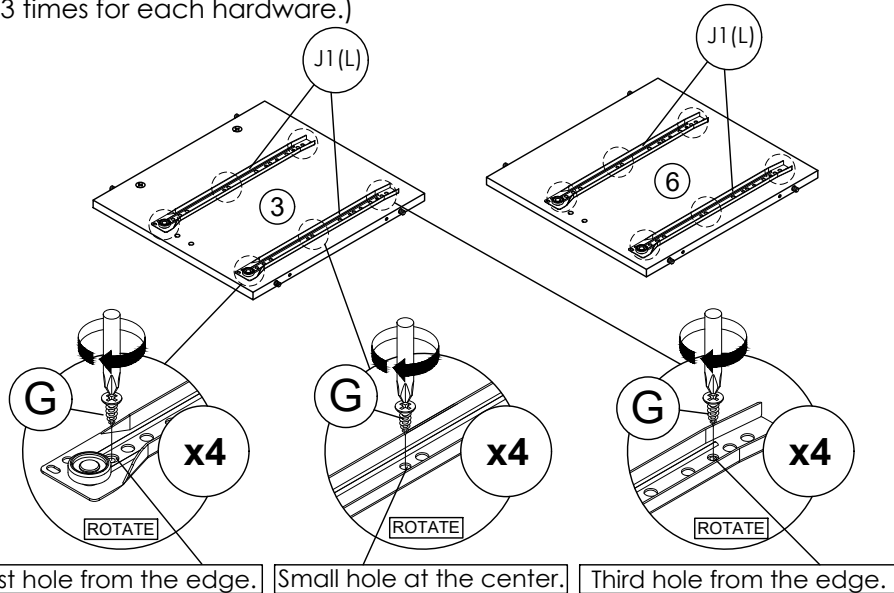
- Insert hardware **A1** onto panel **(3)**, **(4)**, **(5)**, **(6)** and **(7)**.  
(Repeat 2 times on each panel.)
- Insert hardware **B** onto panel **(3)**, **(4)**, **(5)**, **(6)** and **(7)**.  
(Repeat 4 times on each panel.)



\* Ensure the arrows on hardware **A1** point towards mounting positions.

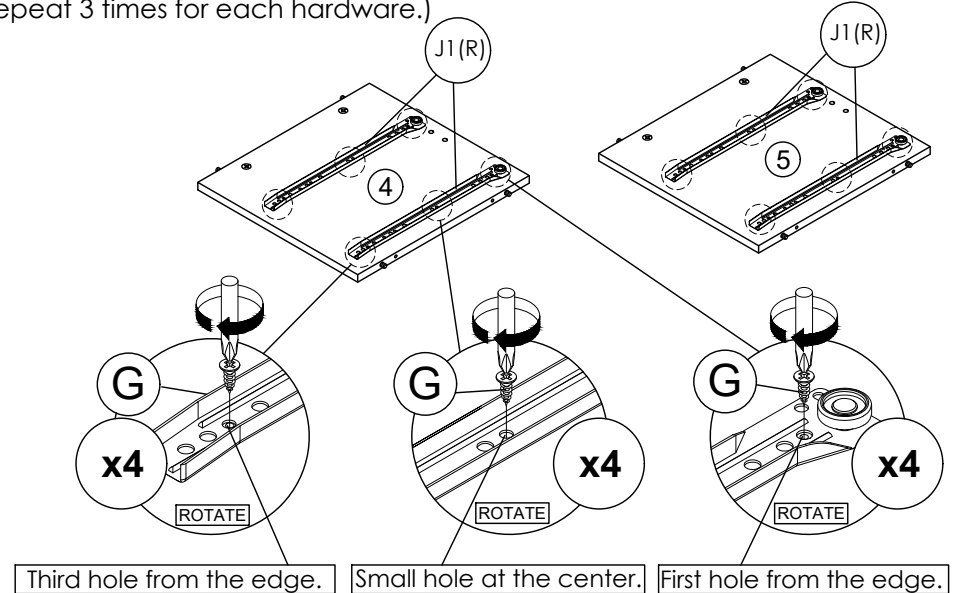
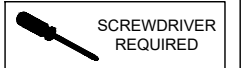
## STEP 3

- Fix hardware **J1 (L)** into panel **(3)** and **(6)** with hardware **G**.  
(Repeat 3 times for each hardware.)



## STEP 4

- Fix hardware **J1 (R)** into panel **(4)** and **(5)** with hardware **G**.  
(Repeat 3 times for each hardware.)



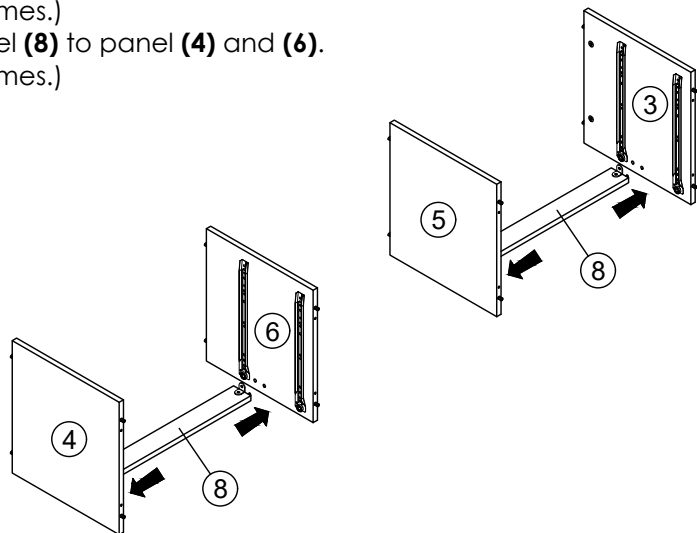
# ASSEMBLY INSTRUCTIONS

PAGE: 3/6

# MODEL : UH 7159

## STEP 5

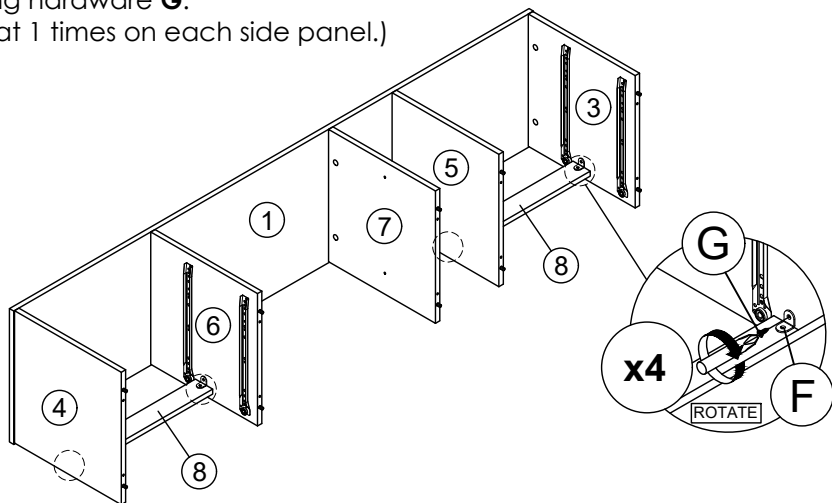
- Attach panel **(8)** to panel **(3)** and **(5)**.  
(Repeat 1 times.)
- Attach panel **(8)** to panel **(4)** and **(6)**.  
(Repeat 1 times.)



\* In this step hardware **B** are pre-inserted.

## STEP 7

- Assemble hardware **F** on panel **(8)** to panel **(3)** and **(5)** by using hardware **G**.
- Assemble hardware **F** on panel **(8)** to panel **(4)** and **(6)** by using hardware **G**.  
(Repeat 1 times on each side panel.)

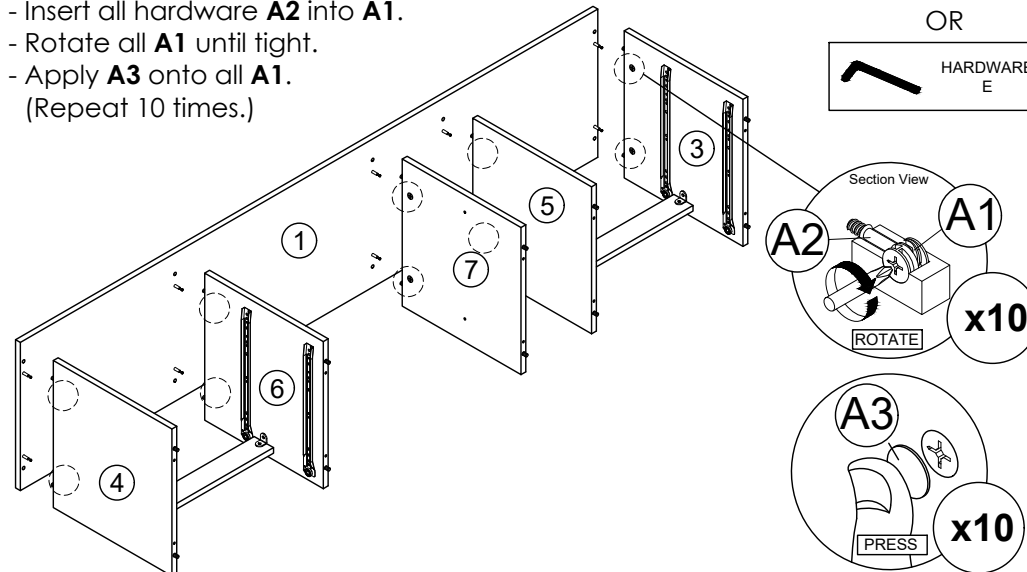
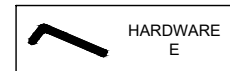


## STEP 6

- Attach panel **(3)**, **(4)**, **(5)**, **(6)** and **(7)** to panel **(1)**.
- Insert all hardware **A2** into **A1**.
- Rotate all **A1** until tight.
- Apply **A3** onto all **A1**.  
(Repeat 10 times.)



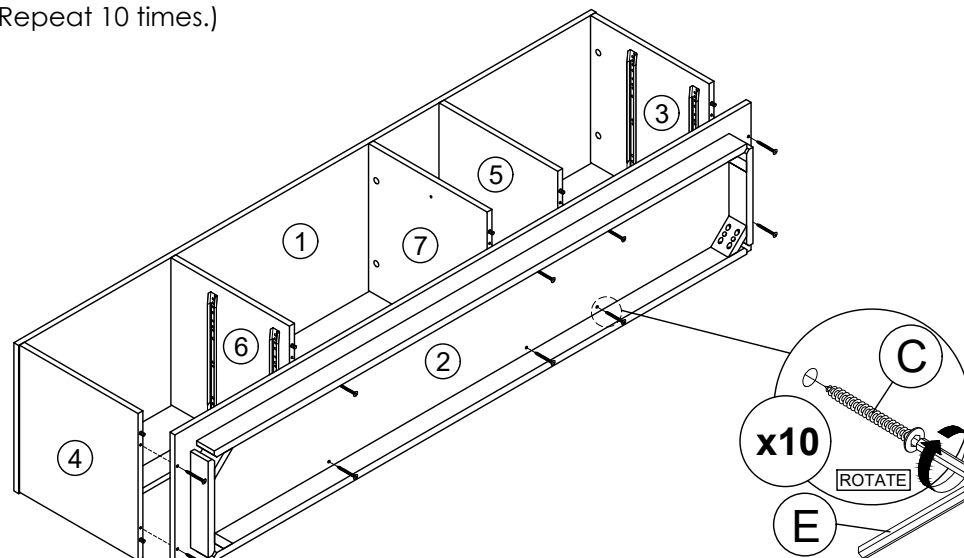
OR



\* In this step hardware **A1**, **A2** and **B** are pre-inserted.

## STEP 8

- Connect panel **(2)** to panel **(3)**, **(4)**, **(5)**, **(6)** and **(7)** by using hardware **C** and **E**.  
(Repeat 10 times.)



\* In this step hardware **B** are pre-inserted.

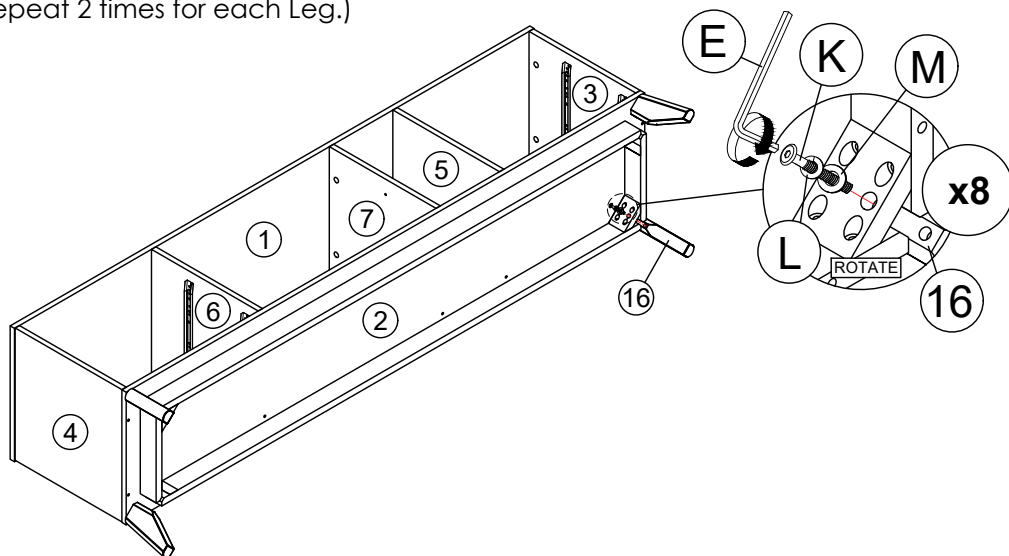
# ASSEMBLY INSTRUCTIONS

PAGE: 4/6

# MODEL : UH 7159

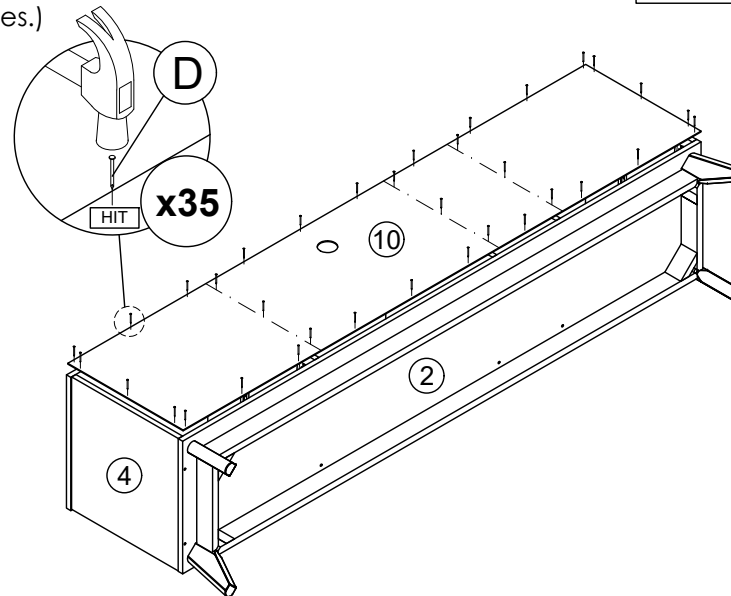
## STEP 9

Assemble part **16** into panel **(2)** by using hardware **E, K, L** and **M**.  
(Repeat 2 times for each Leg.)



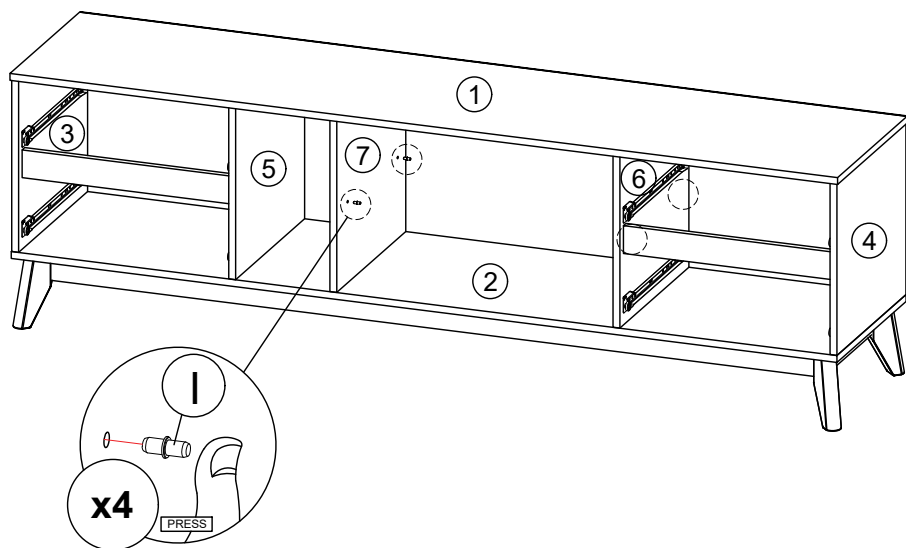
## STEP 10

Assemble panel **(10)** to entire body with hardware **D**.  
(Repeat 35 times.)



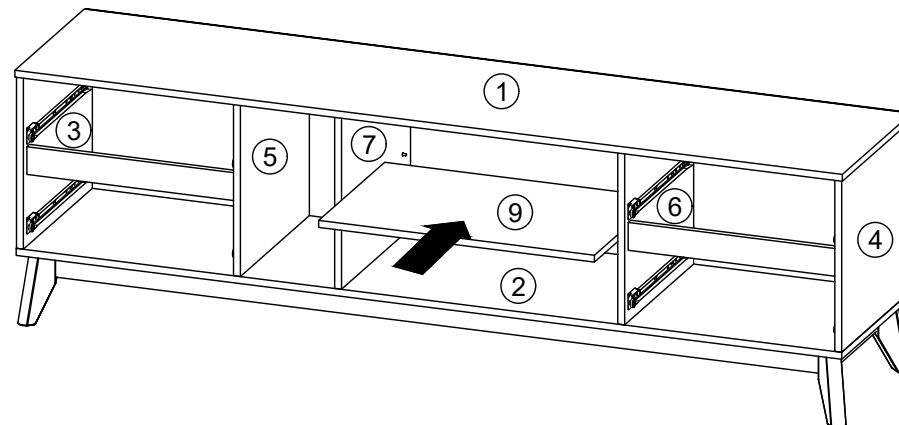
## STEP 11

Insert hardware **I** into mounting positions on panel **(6)** and **(7)** by hand.  
(Repeat 4 times.)



## STEP 12

Assemble the panel **(9)** into between panel **(6)** and **(7)**.  
(Repeat 1 times.)



\* In this step hardware **I** are pre-inserted.

# ASSEMBLY INSTRUCTIONS

PAGE: 5/6

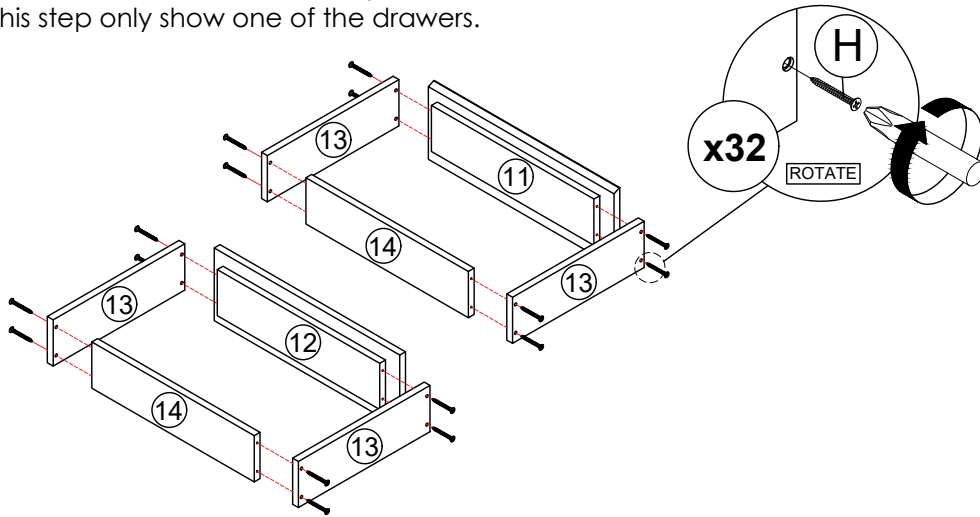
# MODEL : UH 7159

## STEP 13

Assemble panel (13) with panel (11) or (12) and (14) by using hardware H.

(Repeat 8 times for each drawer.)

\* In this step only show one of the drawers.

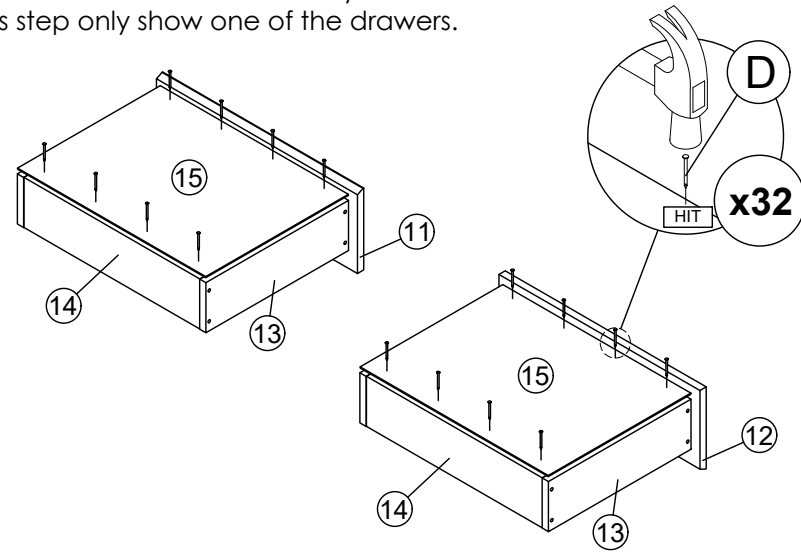


## STEP 14

Assemble panel (15) to entire body with hardware D.

(Repeat 8 times for each drawer.)

\* In this step only show one of the drawers.

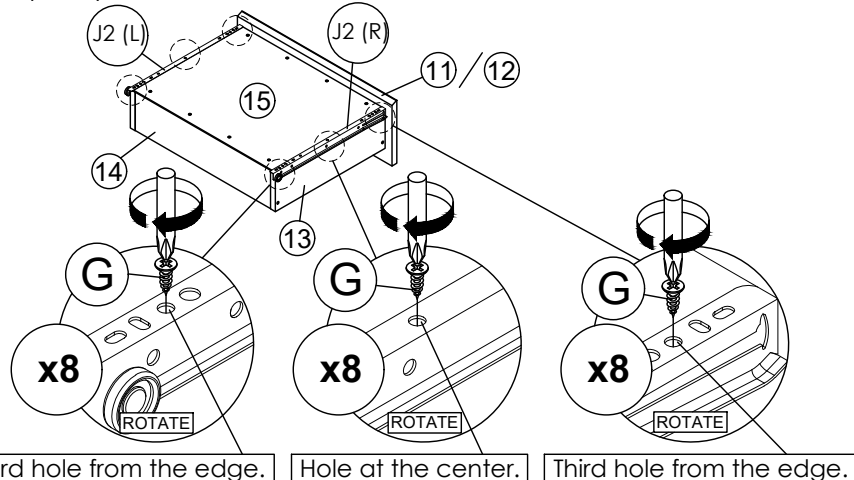


## STEP 15

Assemble hardware J2 (L/R) to panel (15) by using hardware G.

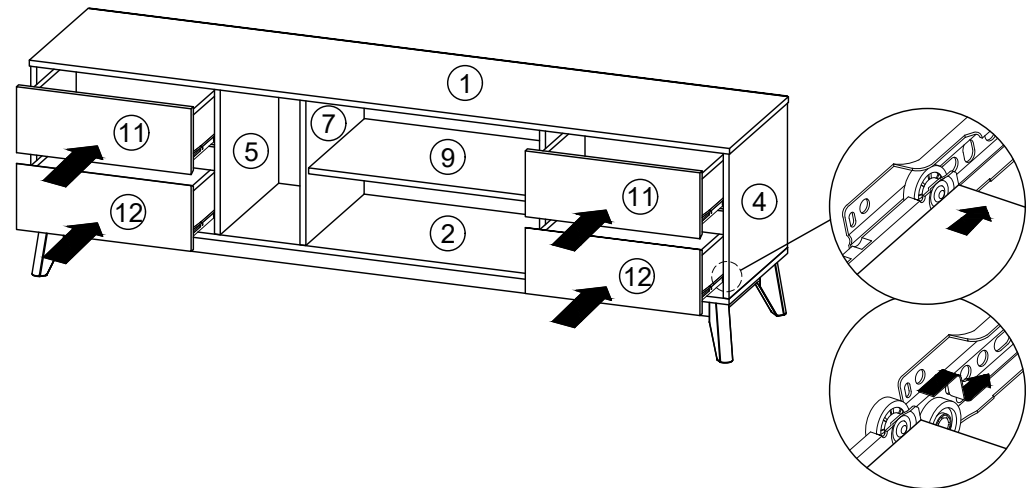
(Repeat 3 times for each hardware.)

\* In this step only show one of the drawers.



## STEP 16

Put all the drawer in place along the drawer slides.



\*Hardware J2 (L/R) shall be leaning against panel (11) or (12) when assembling.

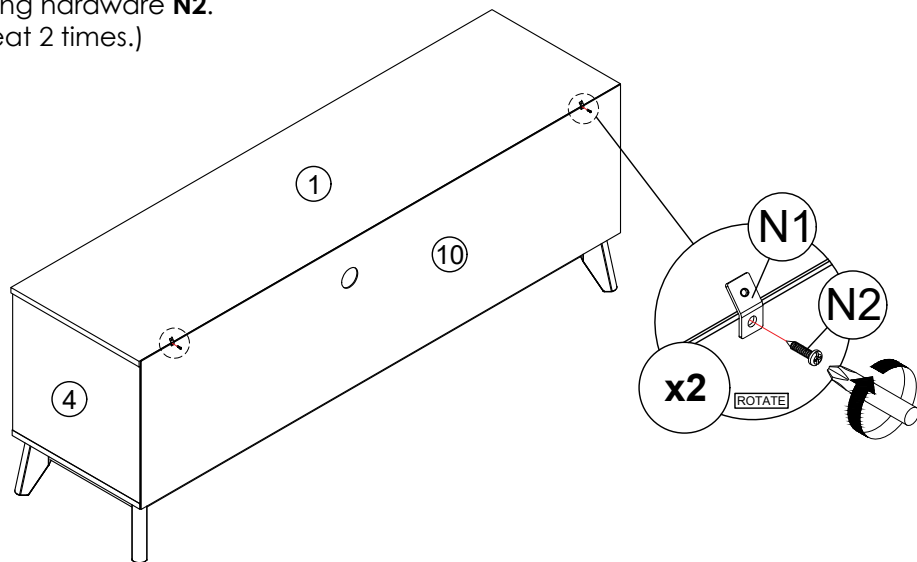
# ASSEMBLY INSTRUCTIONS

PAGE: 6/6

# MODEL : UH 7159

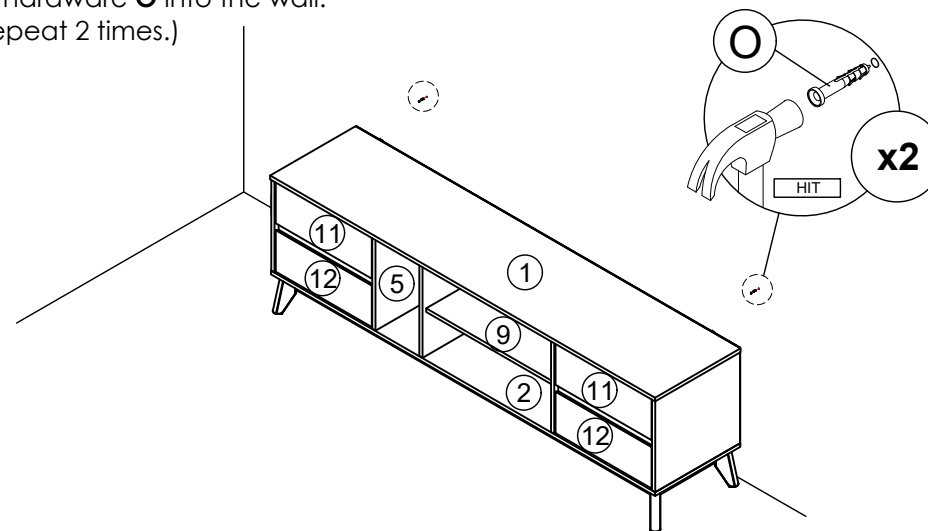
## STEP 13

Assemble hardware **N1** into panel **(1)** and **(10)** by using hardware **N2**.  
(Repeat 2 times.)



## STEP 14

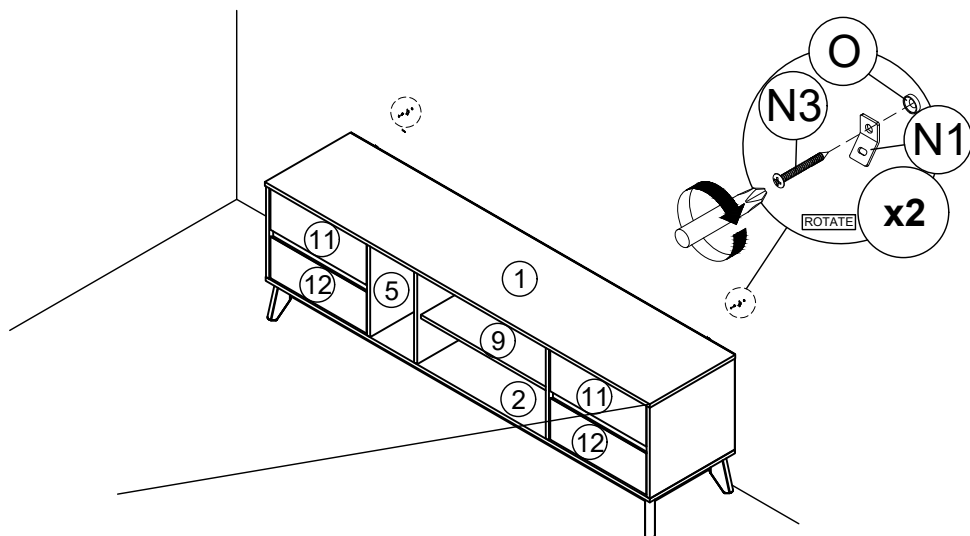
- Mark and use the power drill to drill a hole on the wall.  
- Hit hardware **O** into the wall.  
(Repeat 2 times.)



\* In this step hardware **O** are **NOT** included.

## STEP 15

Assemble hardware **N1** into **O** by using hardware **N3**.  
(Repeat 2 times.)



\* In this step hardware **O** are **NOT** included.

## STEP 16

- Connect both of the hardware **N1** by using hardware **N4**.  
- Tighten the hardware **N4**.  
(Repeat 2 times.)

