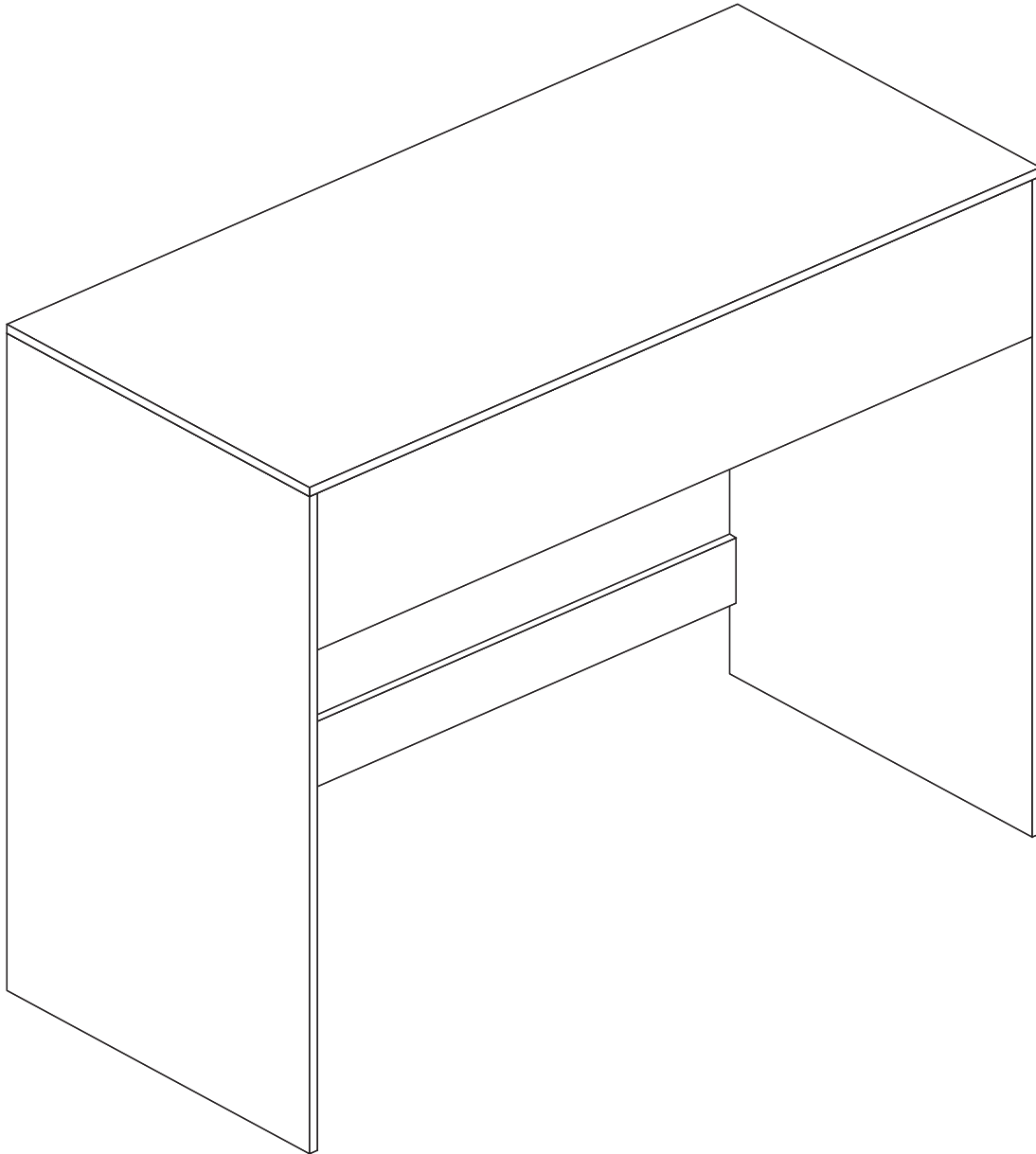




DESK 1 DRAWER

ASSEMBLY INSTRUCTIONS



TIPS BEFORE YOU START

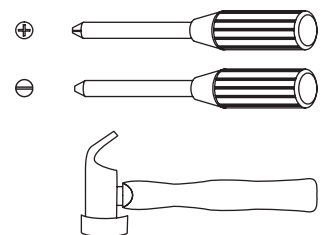
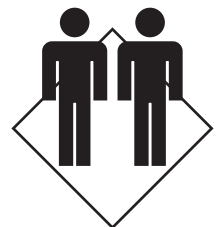
1. Please check that all parts are present before you start the assembly of your furniture.
2. For ease and speed of assembly, we recommend that before you commence each step of the assembly, that you identify all the parts required for that step.
3. For larger items, please ensure that you have sufficient space and people to assemble your product safely.
4. We recommend that, where possible, all items are assembled near to the area in which they will be placed in use, to avoid moving the product unnecessarily once assembled.
5. For the protection of your furniture, we recommend that the product is placed on a protected surface during assembly to prevent any damage.
6. During assembly please take care not to over-tighten any fittings, as this may damage the product. Do not use power tools.
7. Always place the product on a flat, steady and stable surface.
8. Do not stand on the product. Do not use the product as a stepladder.
9. This product is intended for indoor, household use only as it is a non-industrial product.
10. Please use caution and care when lifting the product to avoid personal injury and/or product damage.

CARE AND MAINTENANCE OF YOUR FURNITURE

- ✓ Please periodically check all fittings and re-tighten as necessary.
- ✓ To clean your item, please use a damp cloth and wipe clean.
- ✓ To clean glass, please use glass cleaner.
- ✓ Never allow any kind of liquid to remain on your furniture. Absorption can cause wood to warp or finishes to de-laminate.
- ✓ Please do not place hot items (eg. hot drinks) directly on to the surface.
- ✓ Please do not drag and pull your furniture.

ASSEMBLY REQUIREMENTS

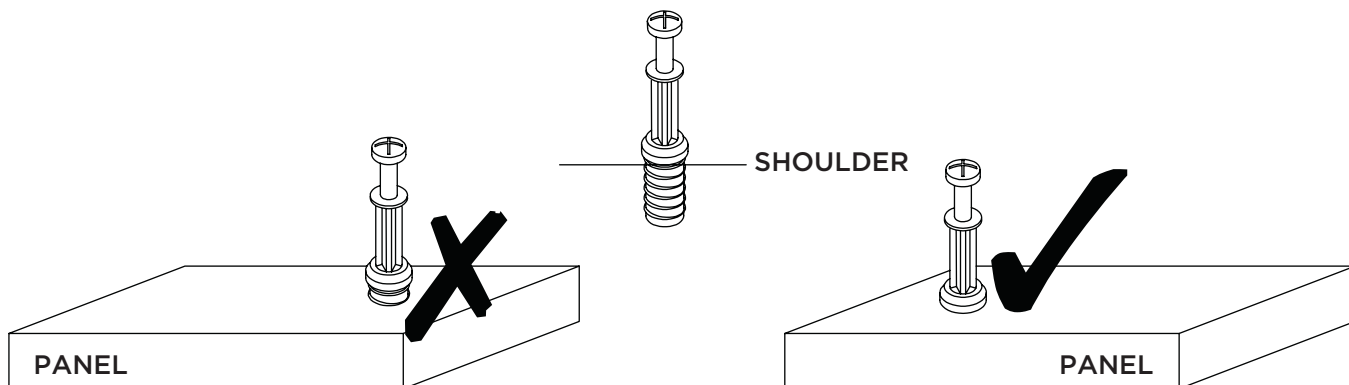
- ✓ Equipment: phillips head screwdriver, flat head screwdriver, hammer
- ✓ 2 x adults required
- ✓ 2m x 2m assembly space required
- ✓ 1 hour assembly time approx.



USING CAM LOCK AND QUICKFIT

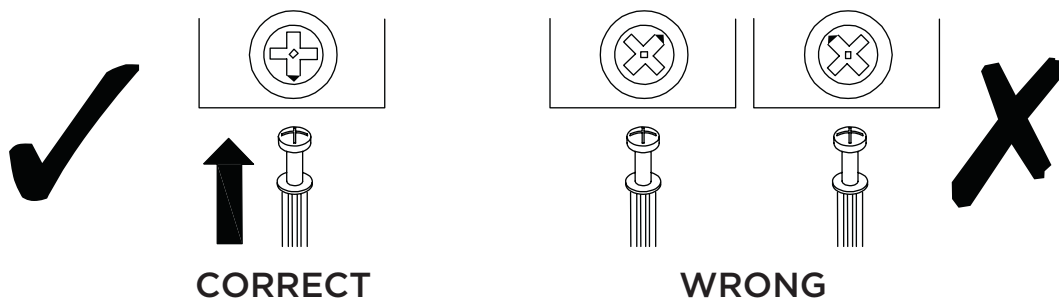
QUICKFIT

Tighten quickfit until shoulder is flush with panel. Do not overtighten or undertighten.



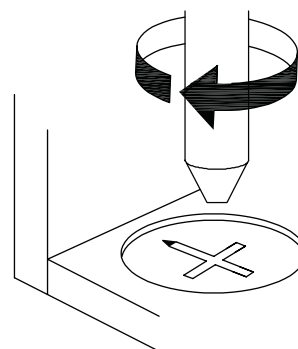
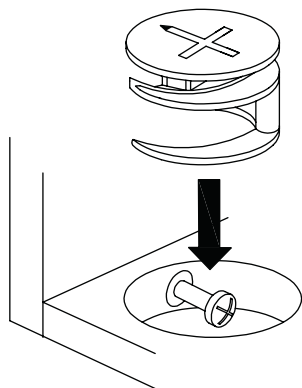
CAM LOCK

When fitting cam lock, ensure starting position is correct before you insert connecting quickfit.

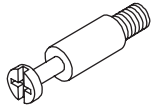


Quickfit head should be in the centre of the cam lock when the two panels are joined.
Cam lock should be inserted before quickfit.

Turn cam lock clockwise to tighten.



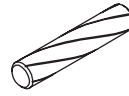
HARDWARE LIST



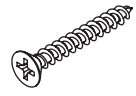
12 x A
Quickfit Screw



12 x B
Cam Lock



11 x C
Wooden Dowel



18 x D
Screw



12 x E
Screw



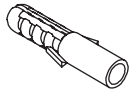
2 x F
Screw



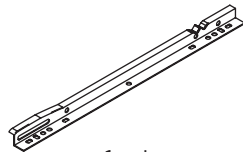
4 x G
Washer



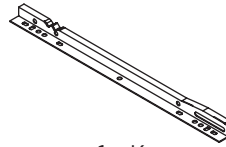
2 x H
Wall Strap



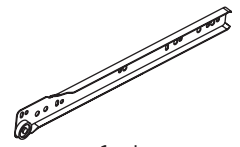
2 x I
Wall Plug



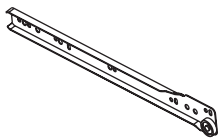
1 x J
Left Inner
Drawer Runner



1 x K
Right Inner
Drawer Runner



1 x L
Left Outer
Drawer Runner

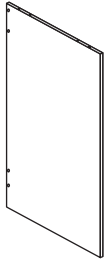


1 x M
Right Outer
Drawer Runner



8 x N
Cover Sticker

PARTS LIST



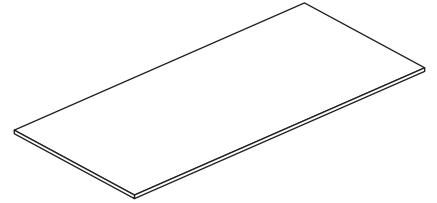
1

1 PC



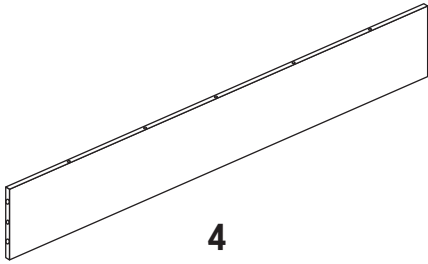
2

1 PC



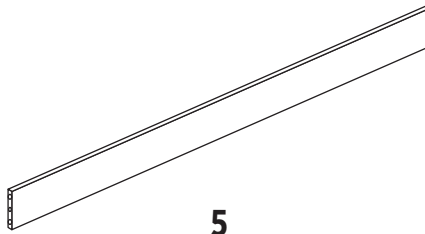
3

1 PC



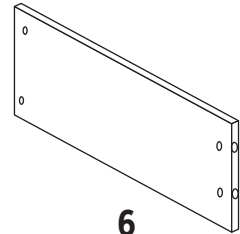
4

1 PC



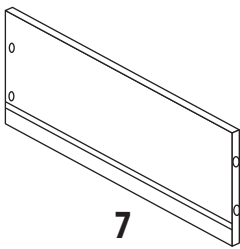
5

1 PC



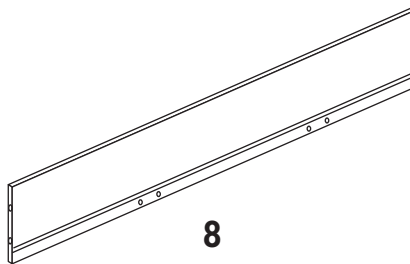
6

1 PC



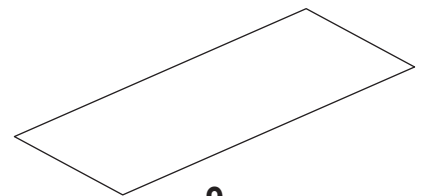
7

1 PC



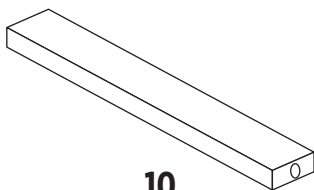
8

1 PC



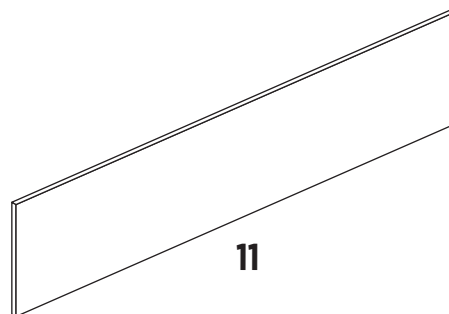
9

1 PC



10

2 PCS



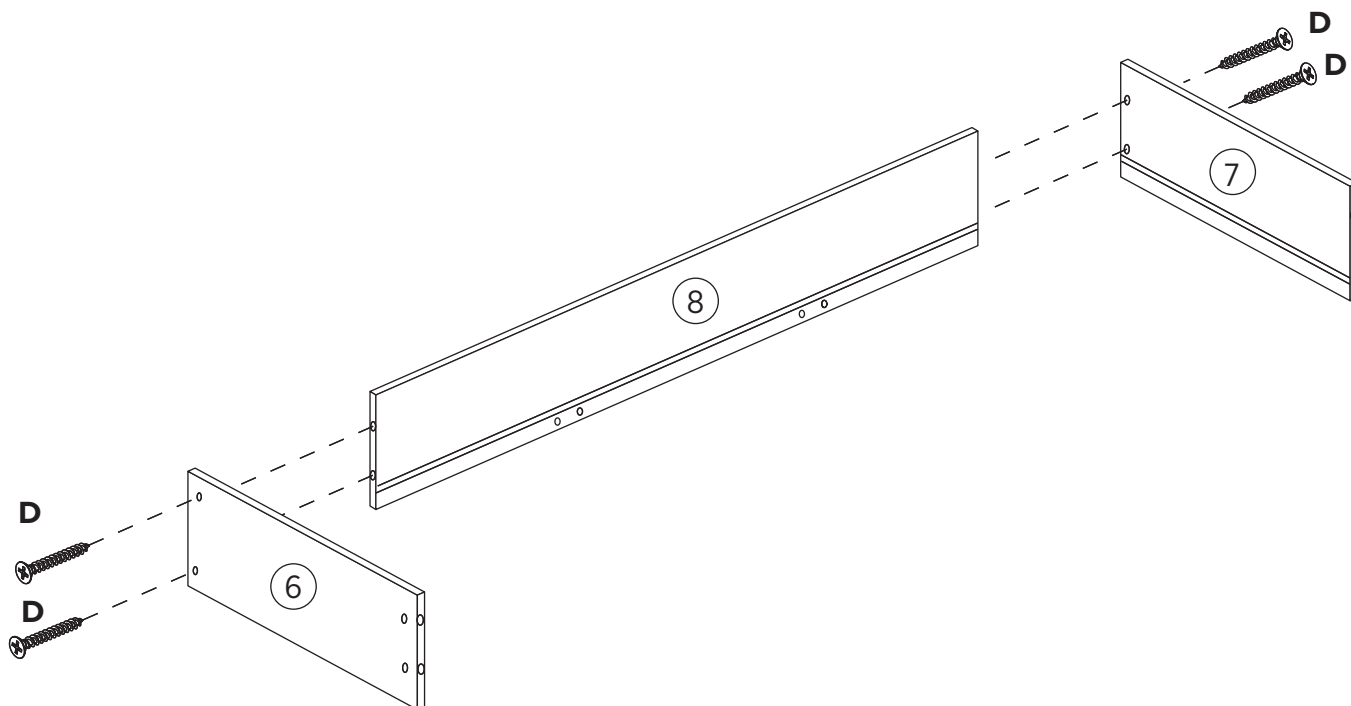
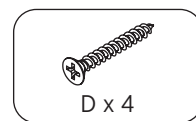
11

1 PC

ASSEMBLY INSTRUCTIONS

STEP 1

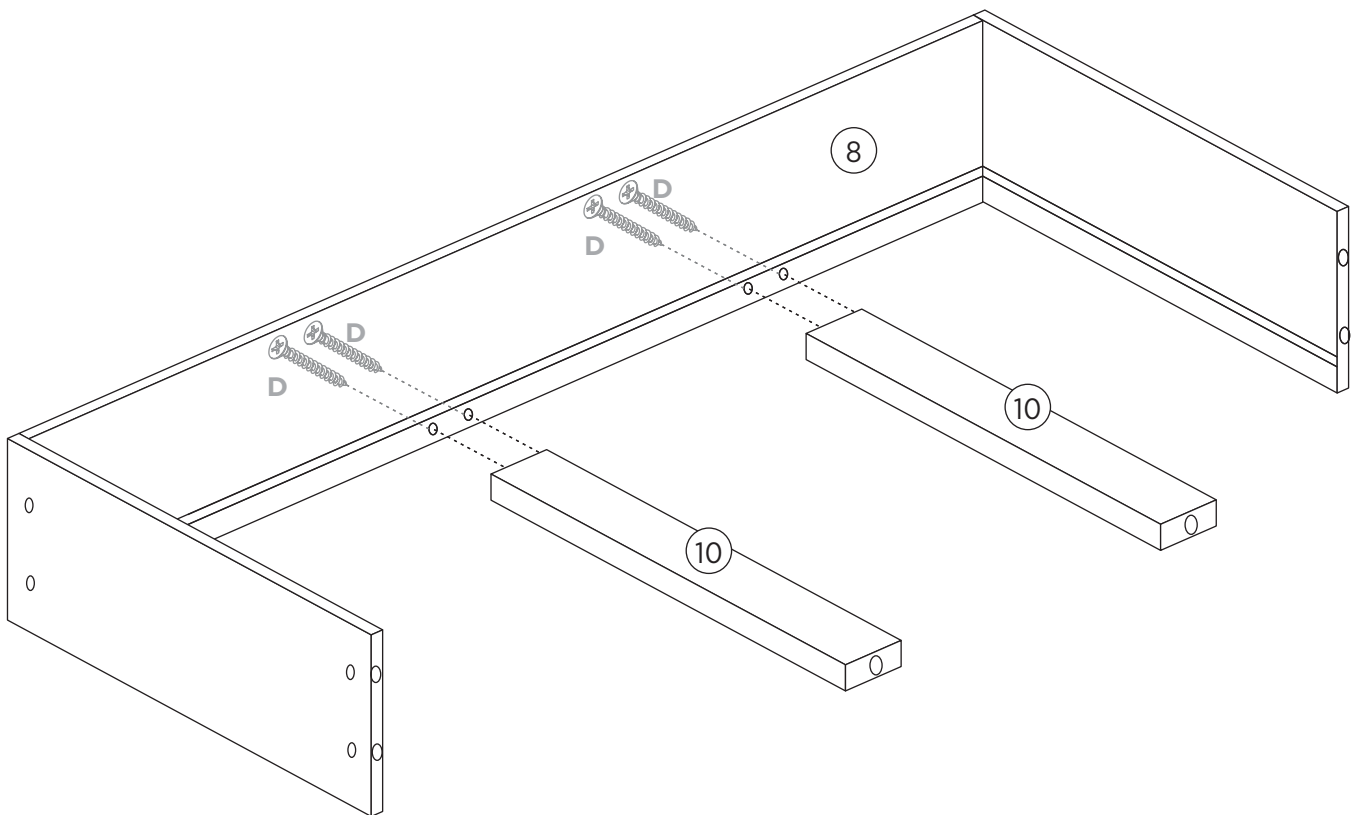
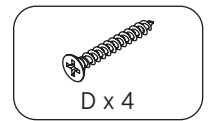
Fix parts 6 and 7 to part 8 using screws (D), as shown.



ASSEMBLY INSTRUCTIONS

STEP 2

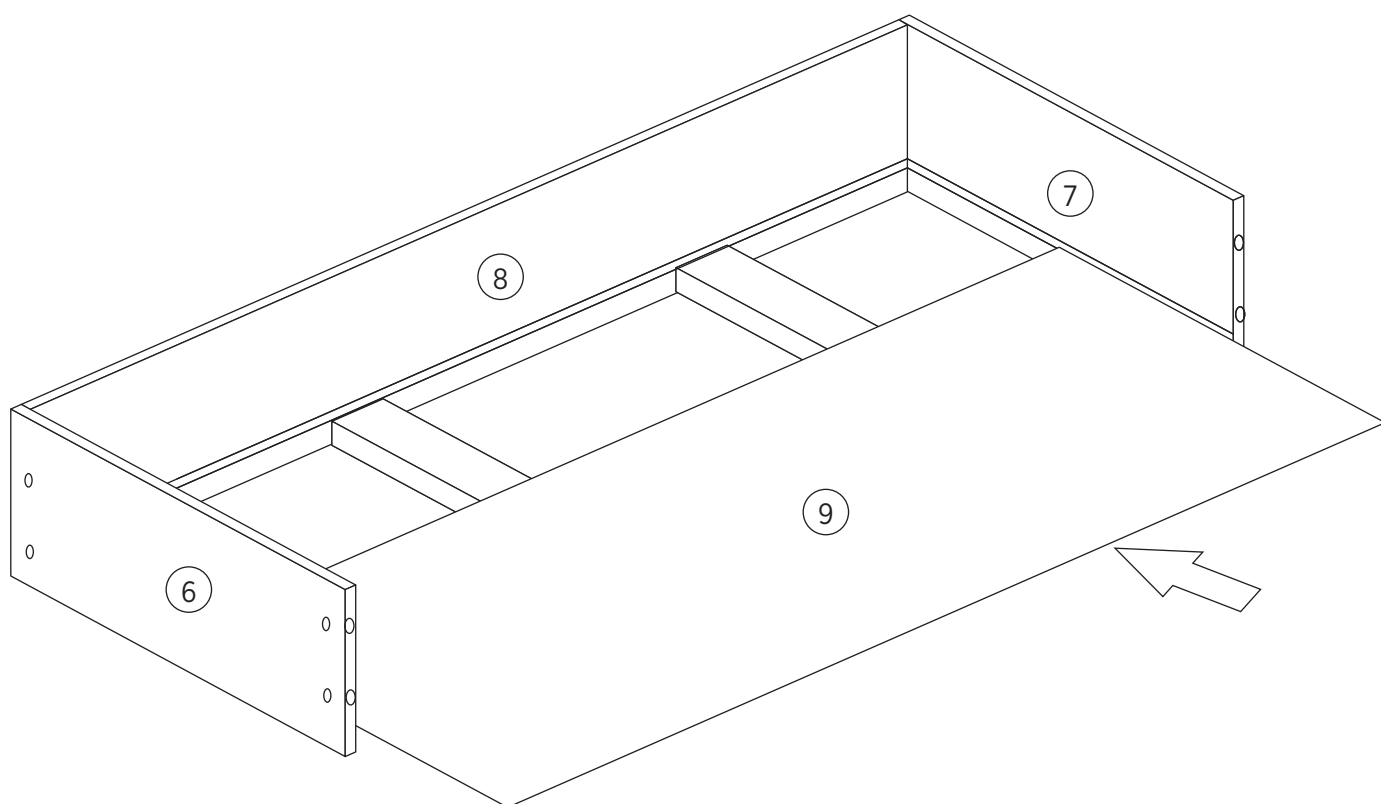
Fix parts 10 to part 8 using screws (D), as shown.



ASSEMBLY INSTRUCTIONS

STEP 3

Insert part 9 into grooves of parts 6, 7 and 8, as shown.

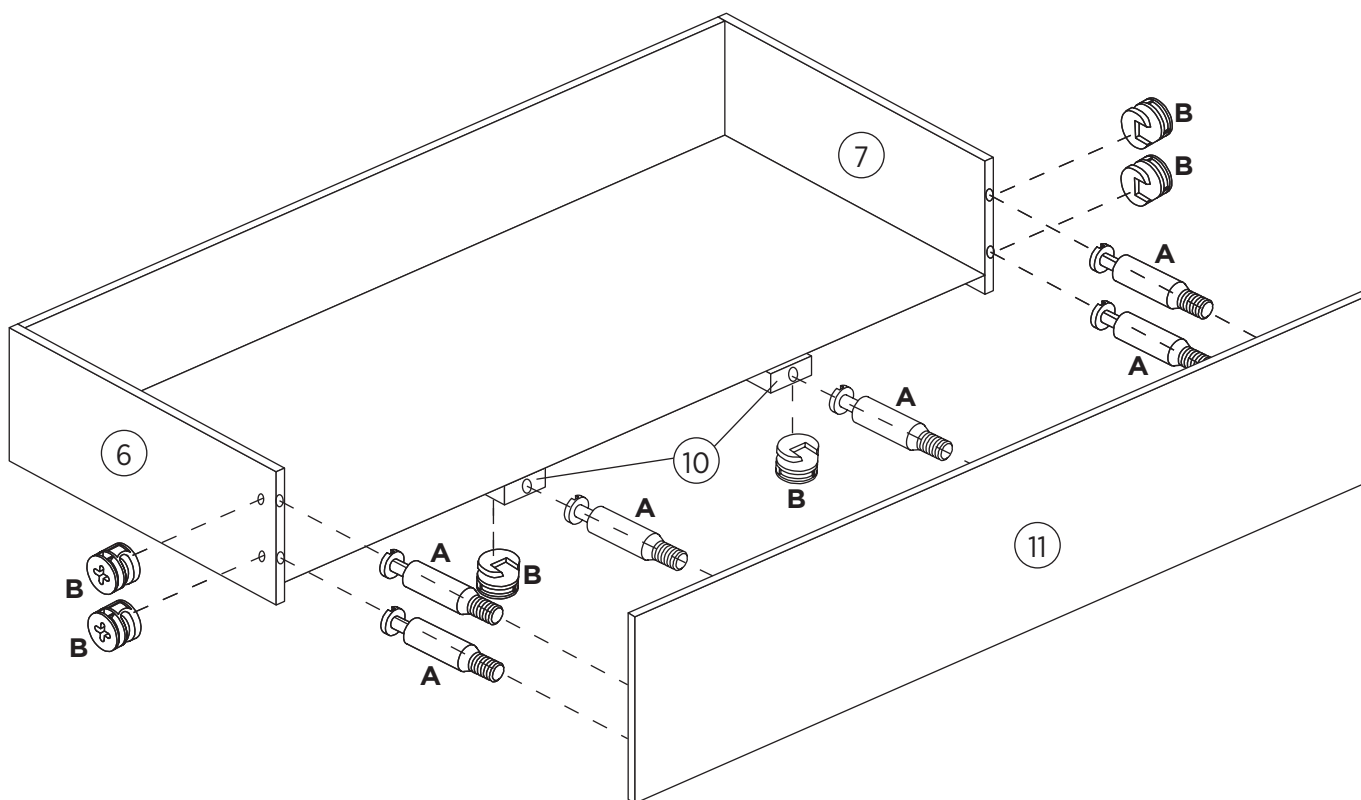
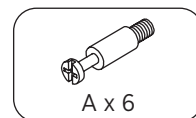


ASSEMBLY INSTRUCTIONS

STEP 4

Insert quickfit screws (A) and cam locks (B) to parts 6, 7 and 10 and attach part 11.

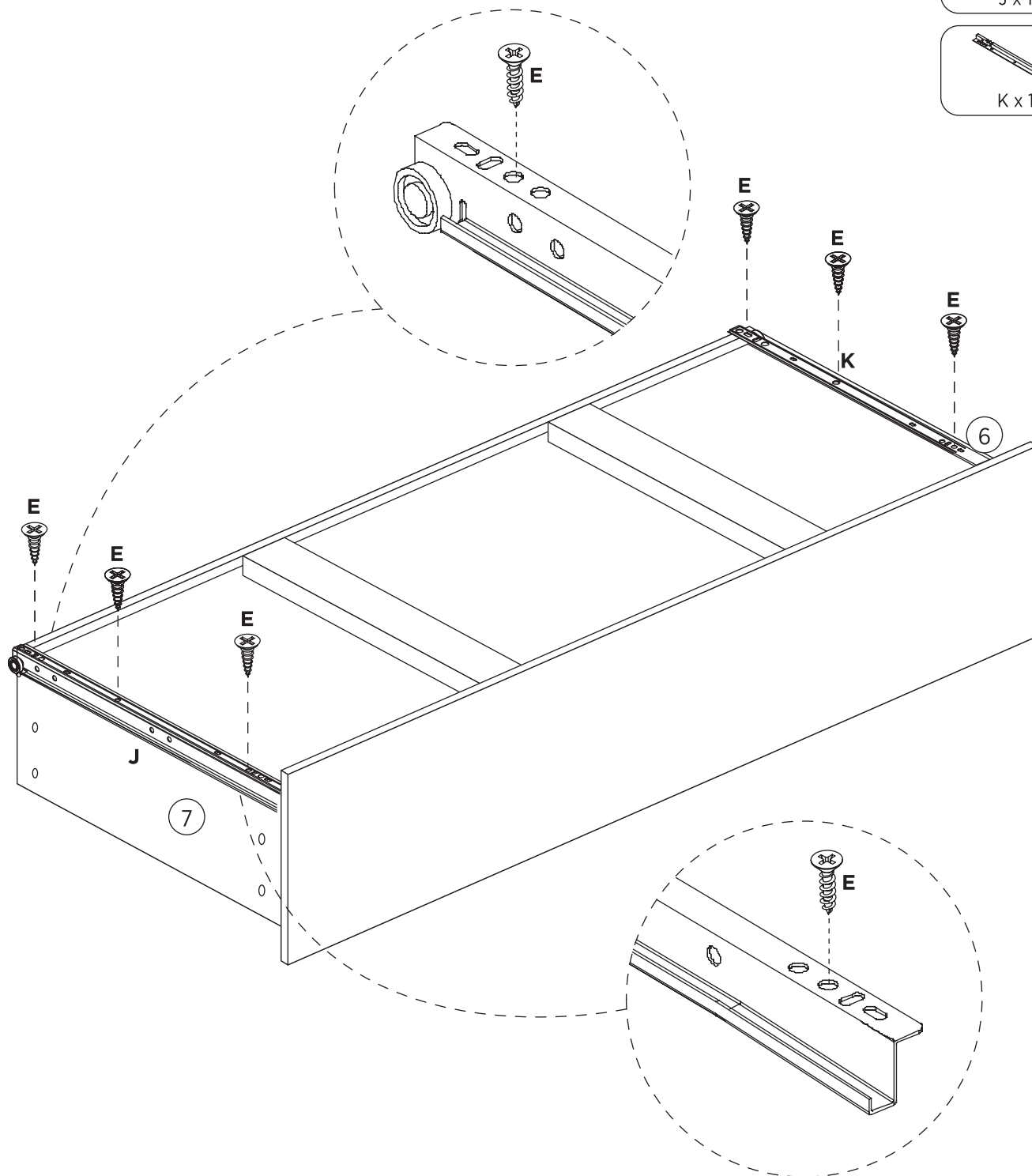
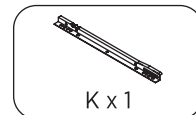
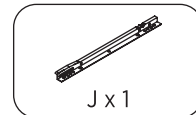
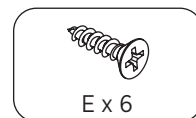
Turn cam lock clockwise to tighten.



ASSEMBLY INSTRUCTIONS

STEP 5

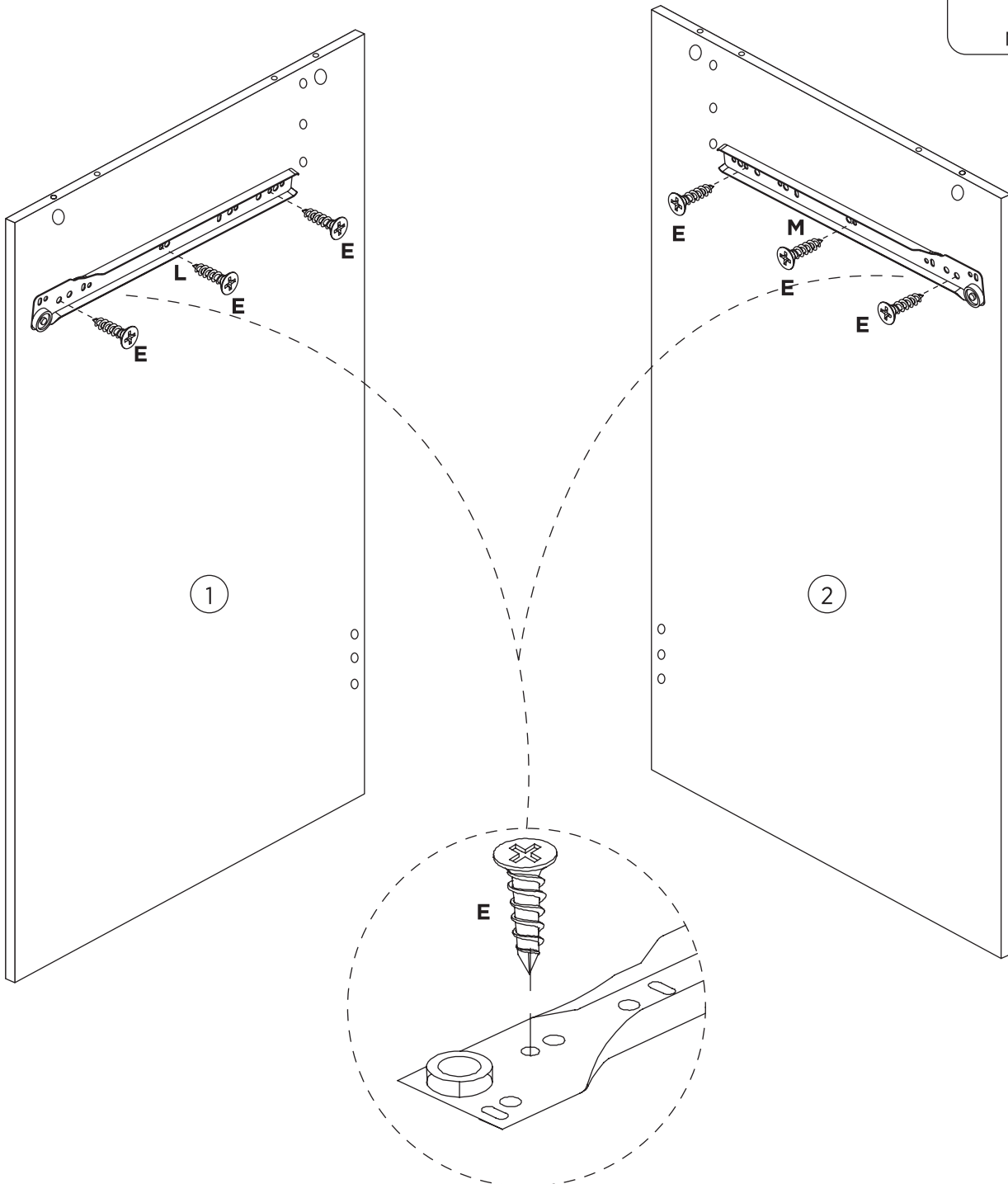
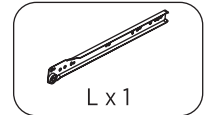
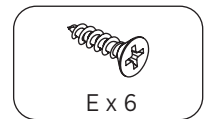
Fix left and right inner drawer runners (J) and (K) to parts 6 and 7 using screws (E), as shown.



ASSEMBLY INSTRUCTIONS

STEP 6

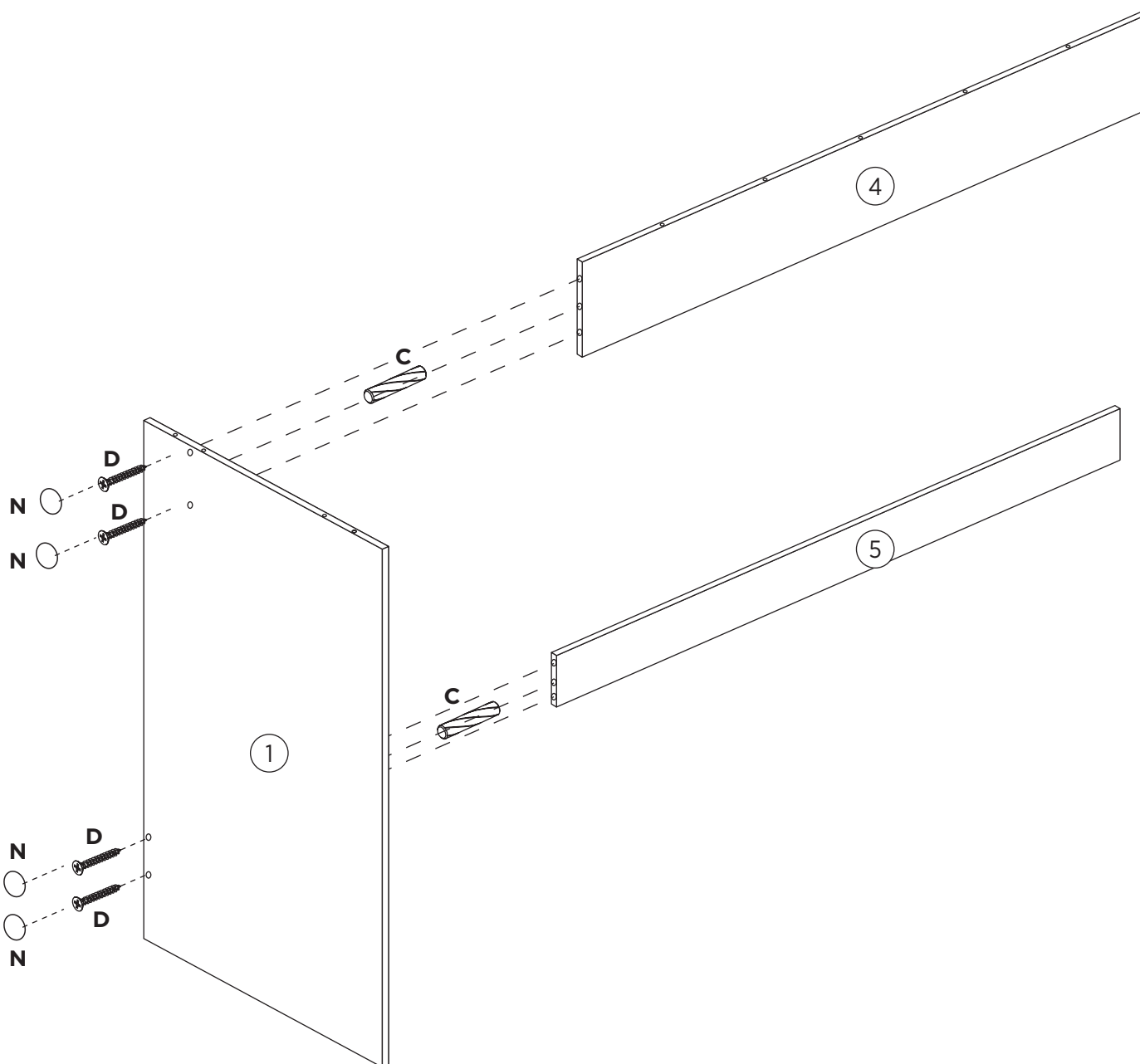
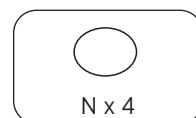
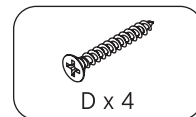
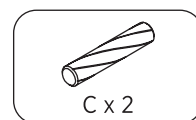
Fix left and right outer drawer runners (L) and (M) to parts 1 and 2 using screws (E), as shown.



ASSEMBLY INSTRUCTIONS

STEP 7

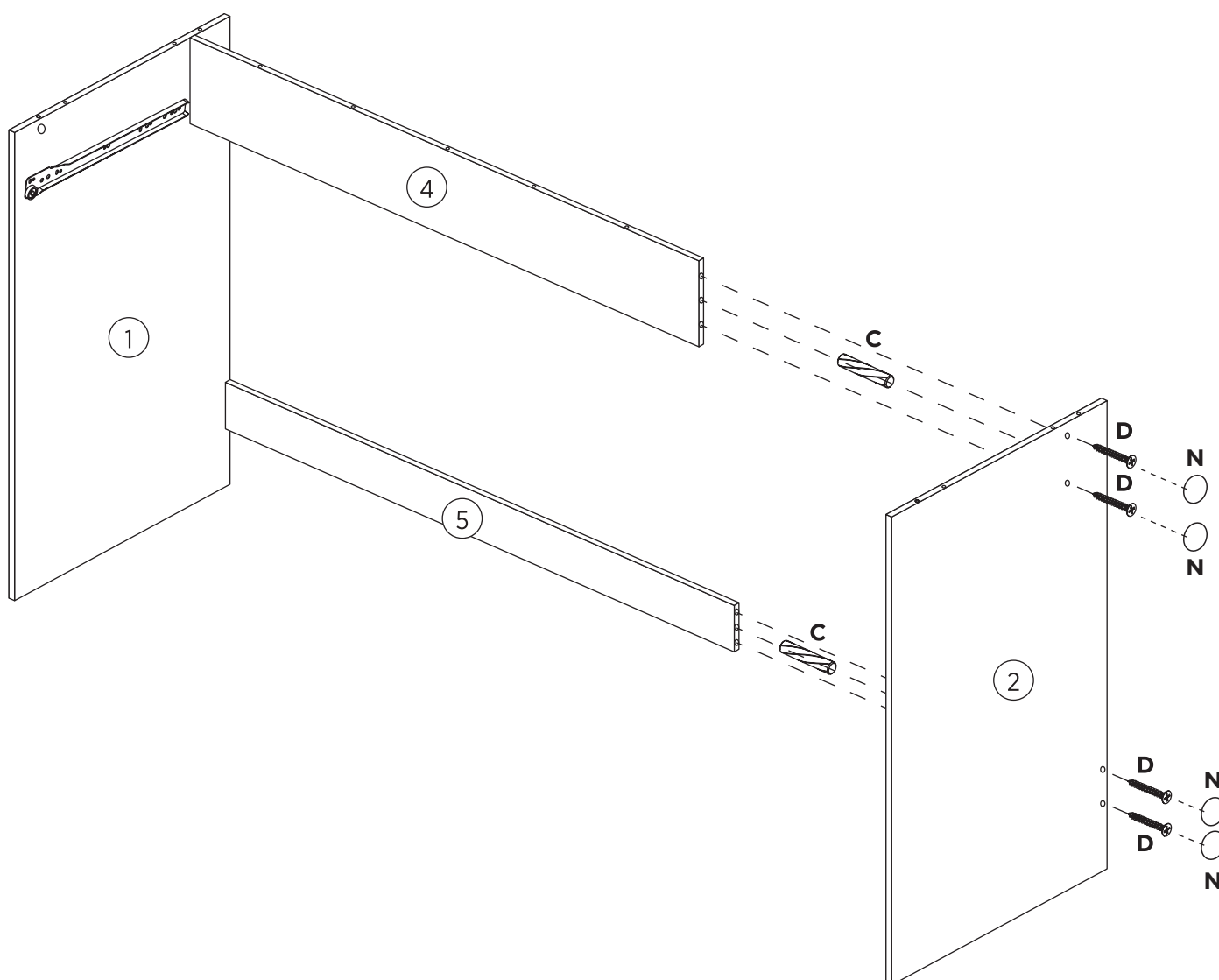
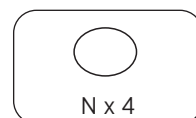
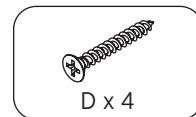
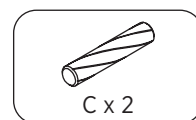
Insert wooden dowels (C) to parts 4 and 5 and attach to part 1 using screws (D), as shown.



ASSEMBLY INSTRUCTIONS

STEP 8

Insert wooden dowels (C) to parts 4 and 5 and attach part 2 using screws (D), as shown.

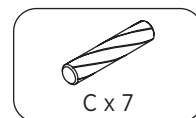
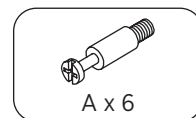
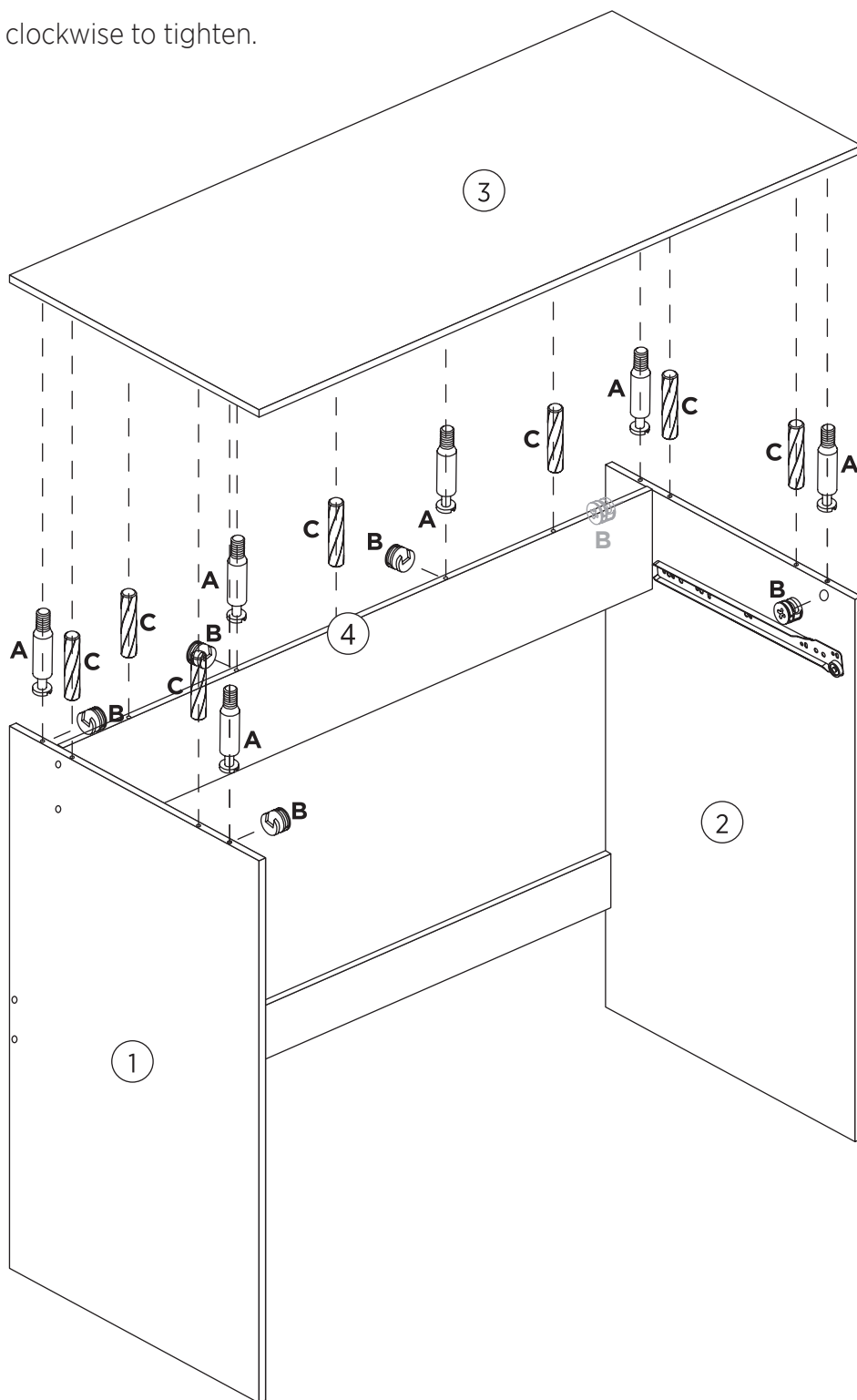


ASSEMBLY INSTRUCTIONS

STEP 9

Insert quickfit screws (A), cam locks (B) and wooden dowels (C) to parts 1, 2 and 4 and attach part 3, as shown.

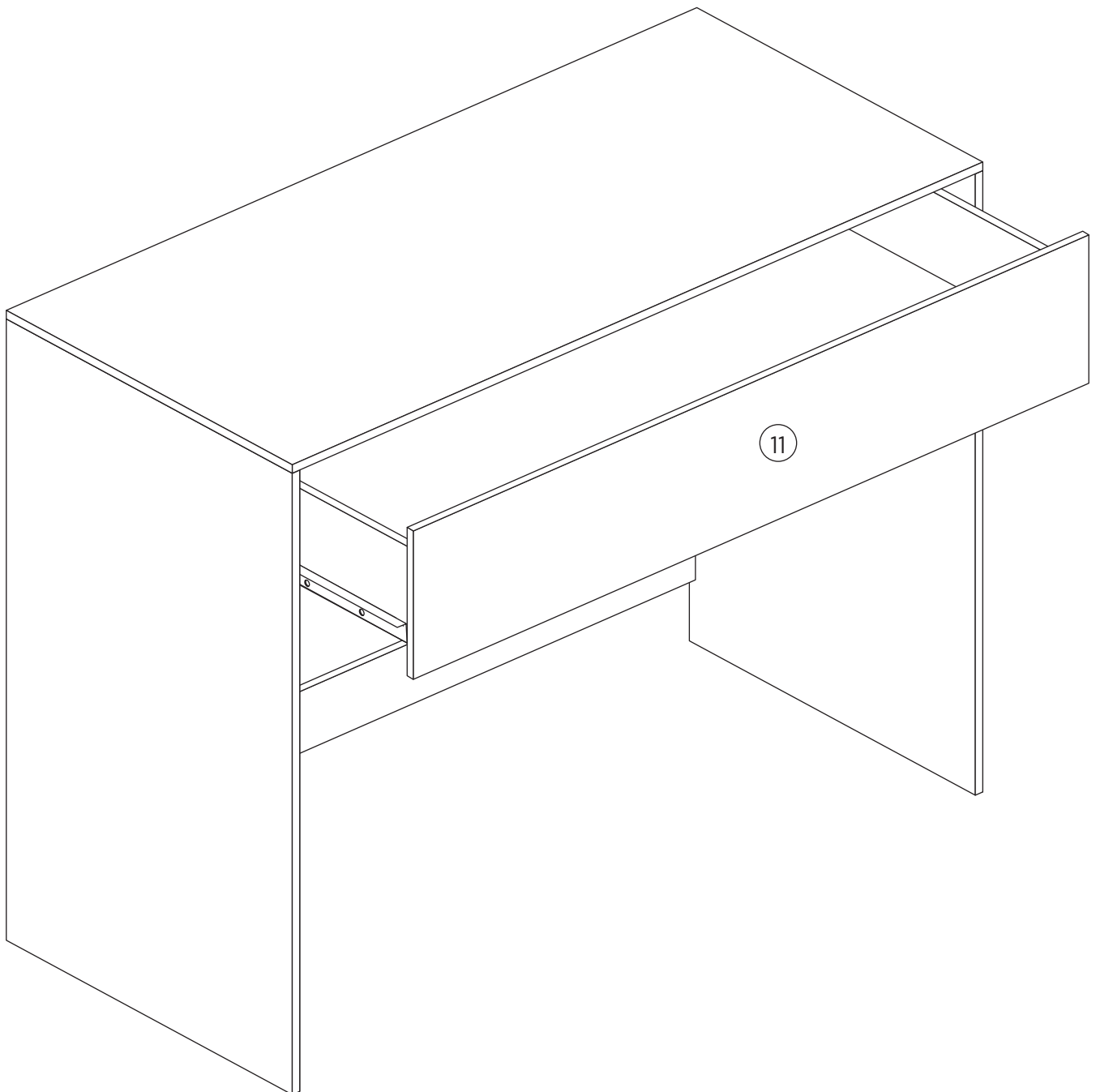
Turn cam lock clockwise to tighten.



ASSEMBLY INSTRUCTIONS

STEP 10

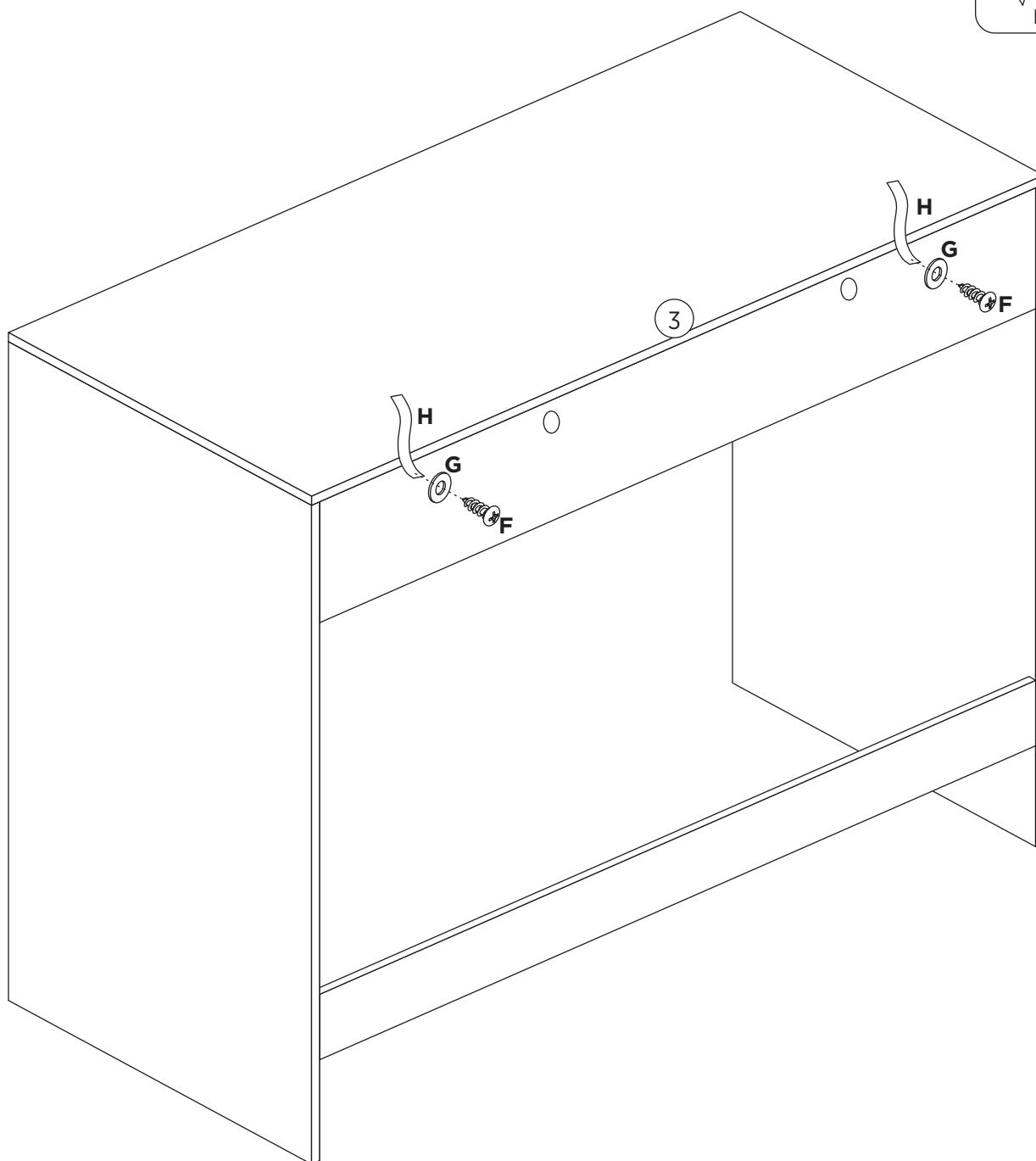
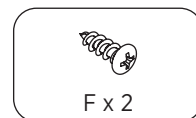
Insert drawer into assembled unit, as shown.



ASSEMBLY INSTRUCTIONS

STEP 11

Fix wall straps (H) to part 3 using screws (F) and washers (G), as shown.



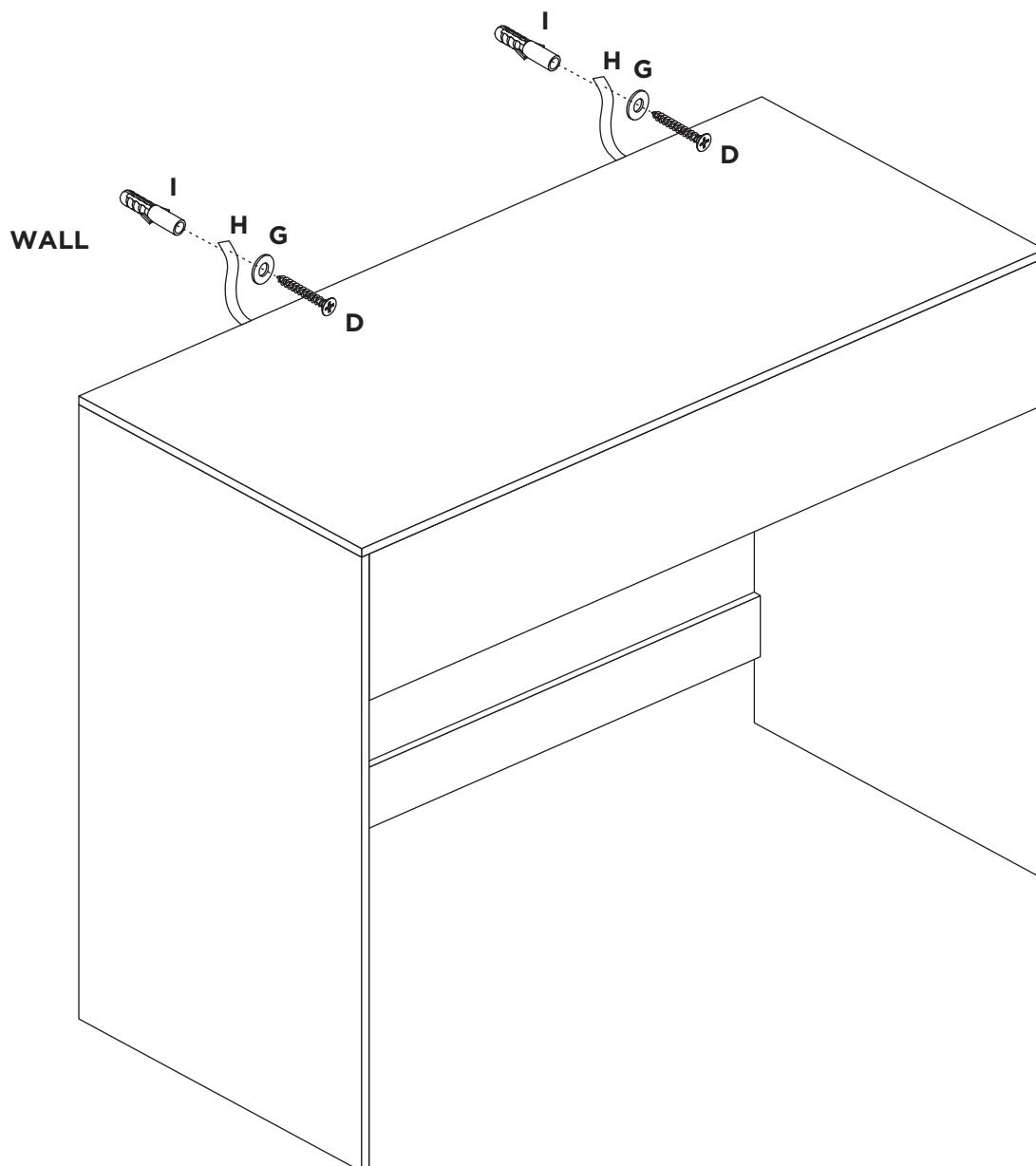
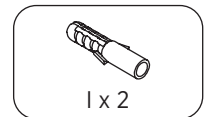
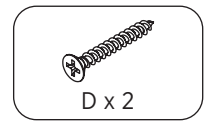
ASSEMBLY INSTRUCTIONS

STEP 12

For extra stability, you must fix your desk to the wall using the additional hardware (D, G and I), as shown.

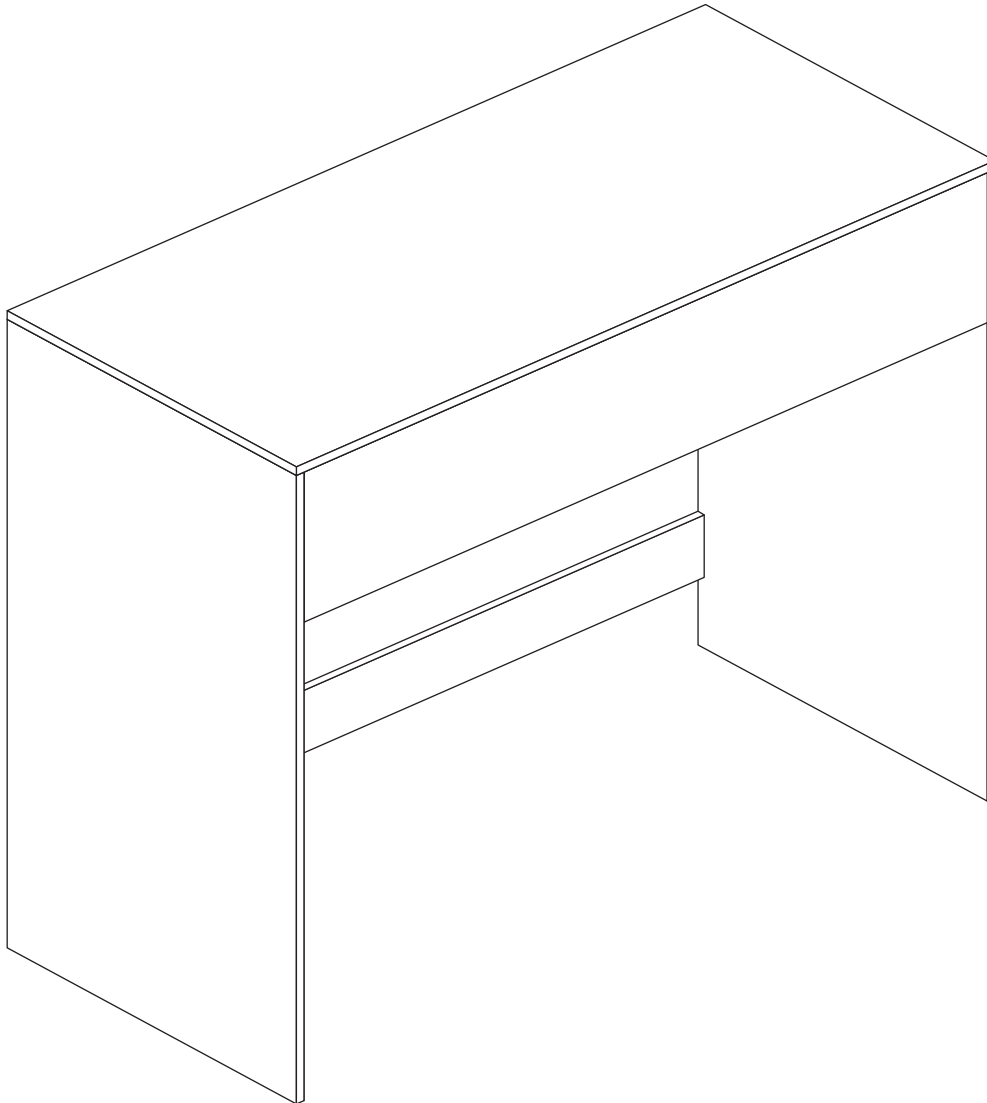
Screw (D) is fixed through washer (G), wall strap (H) and into the wall plug (Q).

Should you choose not to affix the product to the wall, serious injury may be caused if the product tips over.



ASSEMBLY INSTRUCTIONS

STEP 13



Maximum recommended weight is 10kg.

Your Desk 1 Drawer is ready for use.

WALL FIXING GUIDE

NOTE: Supplied wall plugs are only suitable for use in masonry walls.

If you have any doubts about using the correct plug for your wall, please seek professional advice.

Failure of the product due to using incorrect fixings is the responsibility of the installer.



IMPORTANT:

When drilling into walls, always check for hidden wires or pipes, etc.



Tips & Tricks

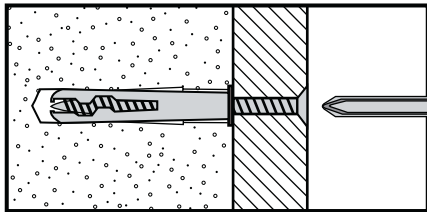
Make sure that the hardware used is suitable for supporting your unit.

Please consult a qualified tradesperson if unsure.

- ☑ Take extra care when drilling high walls, ceiling and ceramic tiles. Ensure wall plugs are inserted beyond the thickness of the ceramic tiles to avoid splitting or cracking.
- ☑ If you are unsure, please select a larger screw and wall plug.
- ☑ Ensure that you use the recommended drill bit to match the wall plug and hole size.
- ☑ Ensure that wall plugs are well fitted and are a tight fit in the drilled hole.

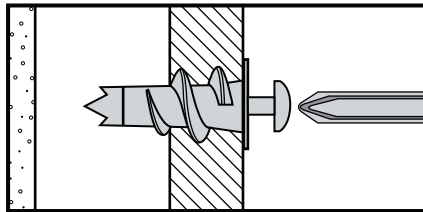
Types of Walls

Use one of the following types of wall plug (not included) if your walls are made of brick, breeze block, concrete, stone or wood. Screws may be able to be fixed directly to solid wood walls as they will provide a secure anchor point.



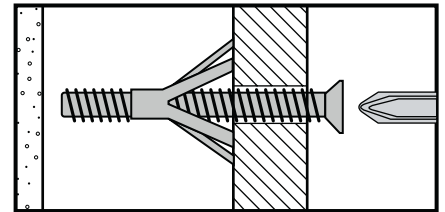
1. General Purpose Wall Plug

Generally, aerated blocks should not be used to support heavy loads, use a specialist fitting in this case. For light loads, general purpose wall plugs can be used.



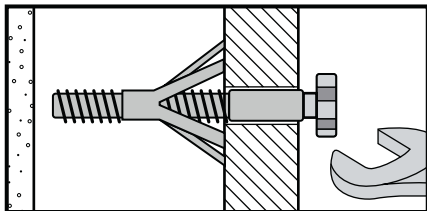
2. Plasterboard Wall Plug

For use when attaching light loads onto plasterboard partitions.



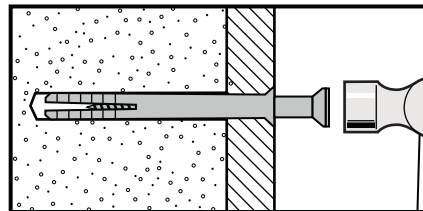
3. Cavity Fixing Wall Plug

For use with plasterboard partitions or hollow wooden doors.



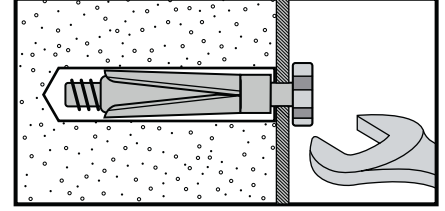
4. Cavity Fixing Heavy Duty Wall Plug

For use when fitting or supporting heavy loads such as shelving and wall cabinets.



5. Hammer Fixing Wall Plug

For use with concrete block or brick walls, or walls stuck with plasterboard. The hammer fixing allows it to be fixed to the wall rather than the plasterboard. Always check the fixing is secure to the retaining wall.



6. Shield Anchor Wall Plug Heavy Loads

For use with concrete or brick walls, or for use with heavier loads such as TV & HiFi speakers and satellite dishes, etc.