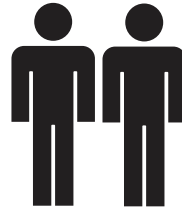


Hampton Chest of 5 Drawers

1.5hr

APPROXIMATE ASSEMBLY TIME



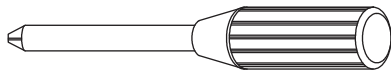
2 PERSON ASSEMBLY

FLOOR AREA
2M x 2M

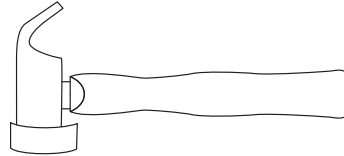


REQUIRED ASSEMBLY SPACE

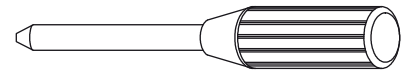
REQUIRED ASSEMBLY TOOLS



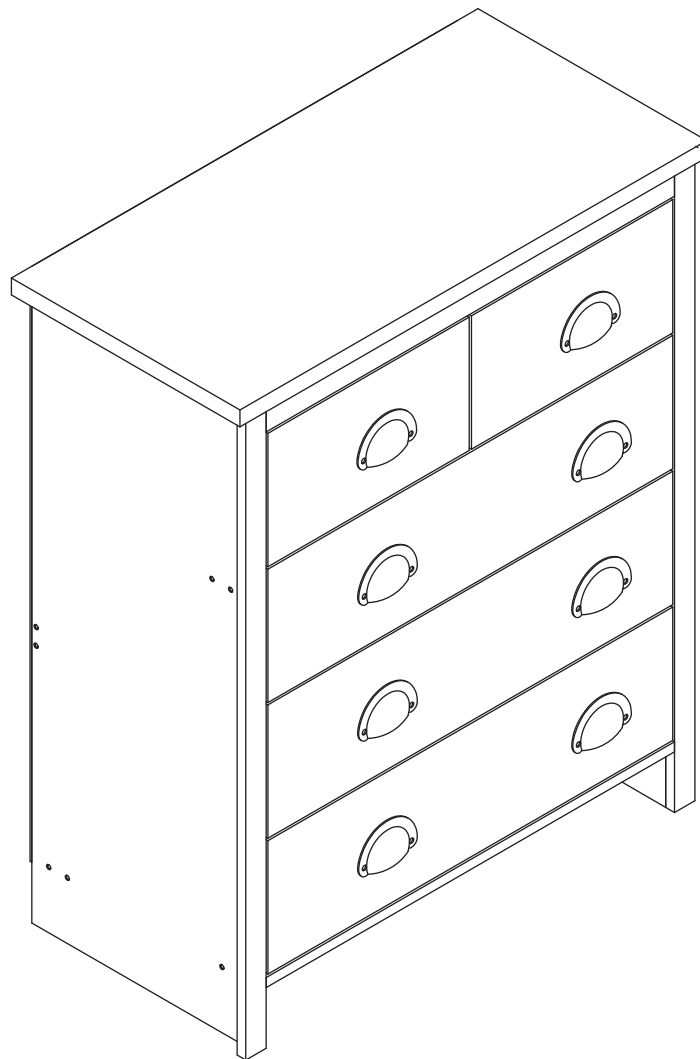
PHILLIPS SCREWDRIVER



HAMMER



FLAT HEAD SCREWDRIVER



Hampton Chest of 5 Drawers

Tips before you start:

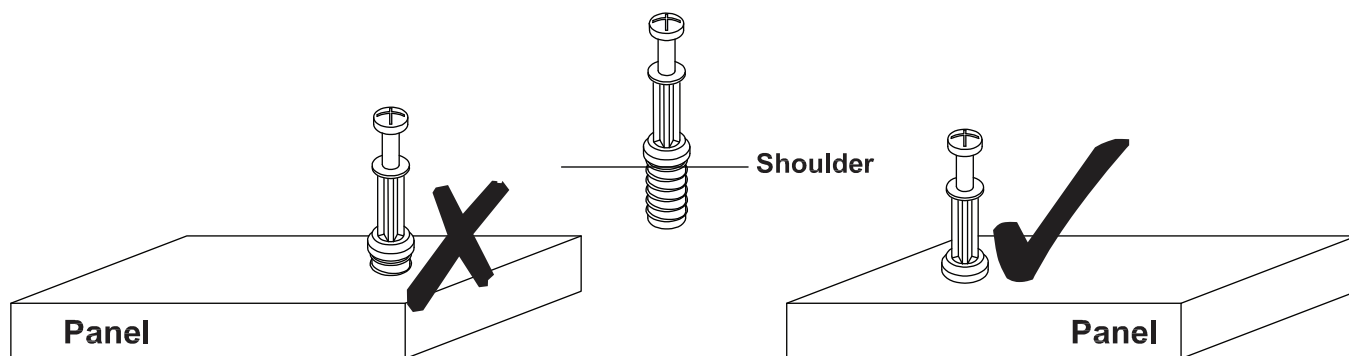
1. Please check that all parts are present before you start the assembly of your furniture.
2. For ease and speed of assembly, we recommend that before you commence each step of the assembly, that you identify all the parts required for that step.
3. For larger items, please ensure that you have sufficient space and people (as indicated on page 1) to assemble your product safely.
4. We recommend that, where possible, all items are assembled near to the area in which they will be placed in use, to avoid moving the product unnecessarily once assembled.
5. For the protection of your furniture, we recommend that the product is placed on a protected surface during assembly to prevent any damage.
6. During assembly please take care not to over-tighten any fittings, as this may damage the product.
7. Always place the product on a flat, steady and stable surface.
8. Do not stand on the product. Do not use the product as a stepladder.
9. This product is intended for indoor, household use only as it is a non-industrial product.
10. Please use caution and care when lifting the product to avoid personal injury and/or product damage.

Care and Maintenance of your Furniture

- Please periodically check all fittings and re-tighten as necessary.
- To clean your item, please use a damp cloth and wipe clean.
- Never allow any kind of liquid to remain on your furniture. Absorption can cause wood to warp or finishes to de-laminate.
- Please do not place hot items (eg. hot drinks) directly on to the surface.
- Please do not drag and pull your furniture.

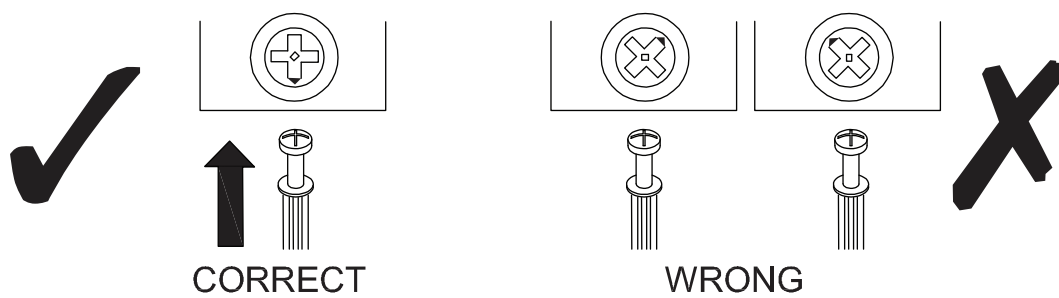
Hampton Chest of 5 Drawers

QUICKFIT



Tighten quickfit until shoulder is flush with panel. Do not overtighten or undertighten.

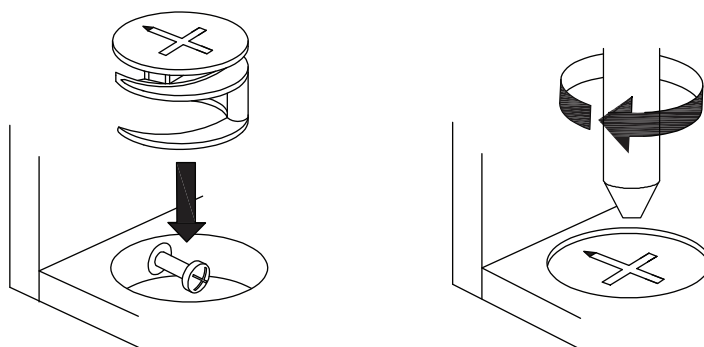
CAM LOCK



When fitting cam lock, ensure starting position is correct before you insert connecting quickfit.

Quickfit head should be in the centre of the cam lock when the two panels are joined.

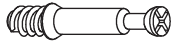
Cam lock should be inserted before quickfit.



Turn cam lock clockwise to tighten.

Hampton Chest of 5 Drawers

HARDWARE LIST



35 x A
Quickfit
Screw



35 x B
Cam Lock



17 x C
Screw



4 x D
Wooden
Dowel



58 x E
Screw



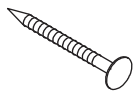
16 x F
Cap Sticker



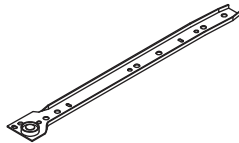
42 x G
Screw



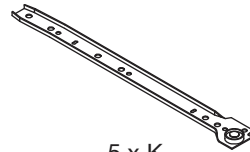
8 x H
Handle



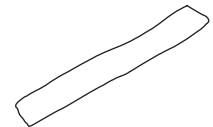
20 x I
Nail



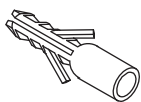
5 x J
Right Inner
Drawer Runner



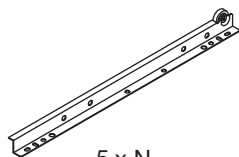
5 x K
Left Inner
Drawer Runner



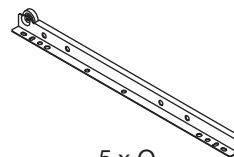
1 x L
Anti-tip
Strap



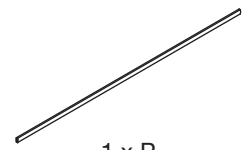
1 x M
Wall Plug



5 x N
Right Outer
Drawer Runner



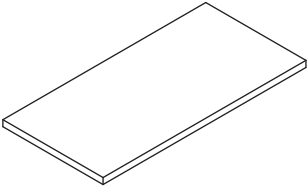
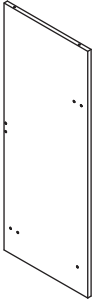
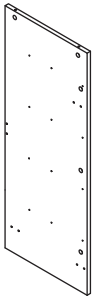
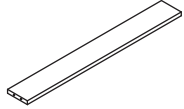
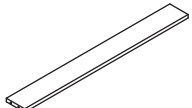
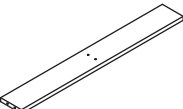


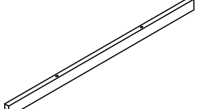
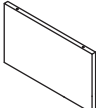
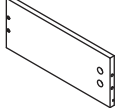
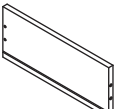
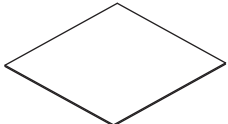
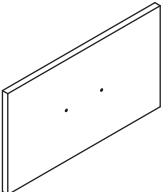
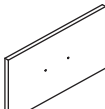

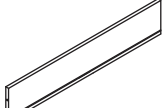
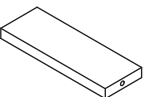
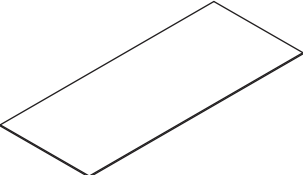
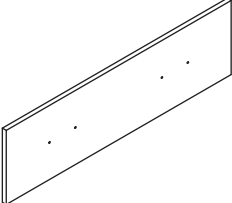
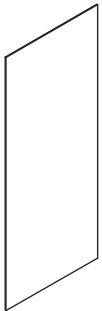
5 x O
Left Outer
Drawer Runner



1 x P
Plastic
Wedge

Hampton Chest of 5 Drawers

PARTS LIST

							
1	1 PC	2	1 PC	3	1 PC	4	1 PC
							
						5	2 PCS
							
6	1 PC					10	1 PC
							
7	1 PC	8	1 PC	9	1 PC	11	5 PCS
							
12	5 PCS					16	1 PC
							
13	2 PCS	14	2 PCS	15	1 PC	17	3 PCS
							
18	3 PCS	19	3 PCS	20	3 PCS	21	2 PCS

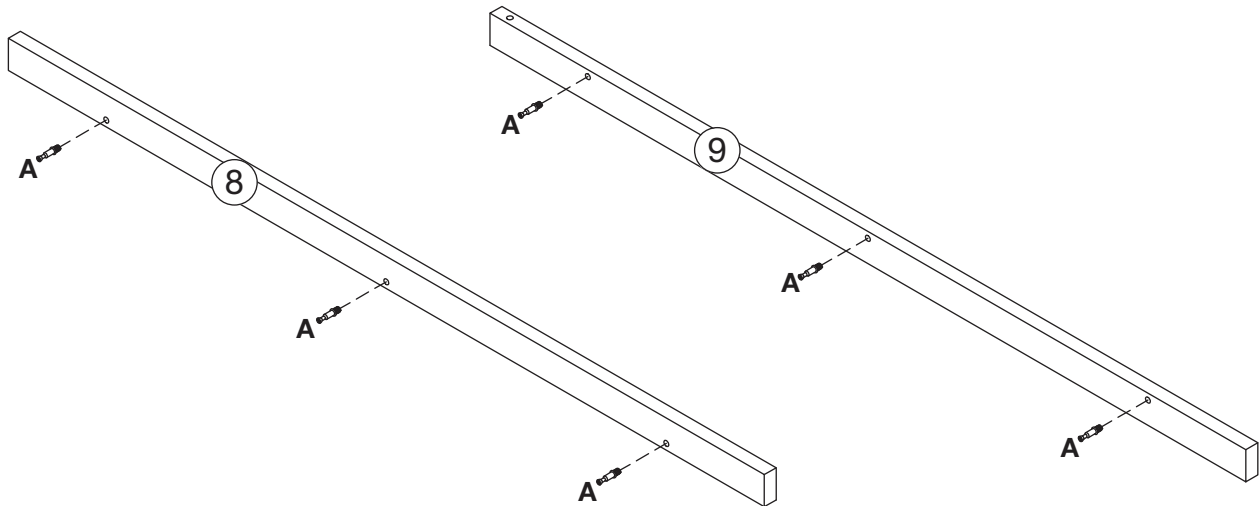
Hampton Chest of 5 Drawers

STEP 1

Insert quickfit screws (A) to parts 8 and 9, as shown.



A x 6



STEP 2

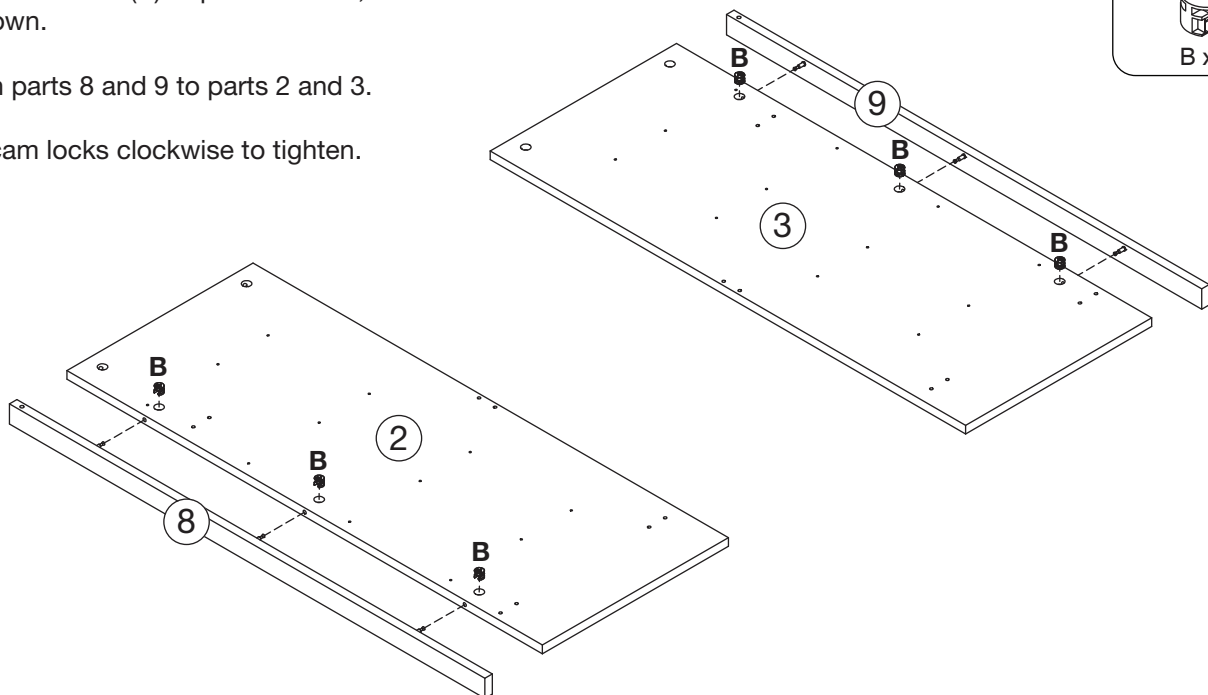
Insert cam locks (B) to parts 2 and 3, as shown.

Attach parts 8 and 9 to parts 2 and 3.

Turn cam locks clockwise to tighten.



B x 6



Hampton Chest of 5 Drawers

STEP 3

Fix right inner drawer runners (J) to part 2 using screws (E), as shown.

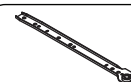
Fix left inner drawer runners (K) to part 3 using screws (E), as shown.



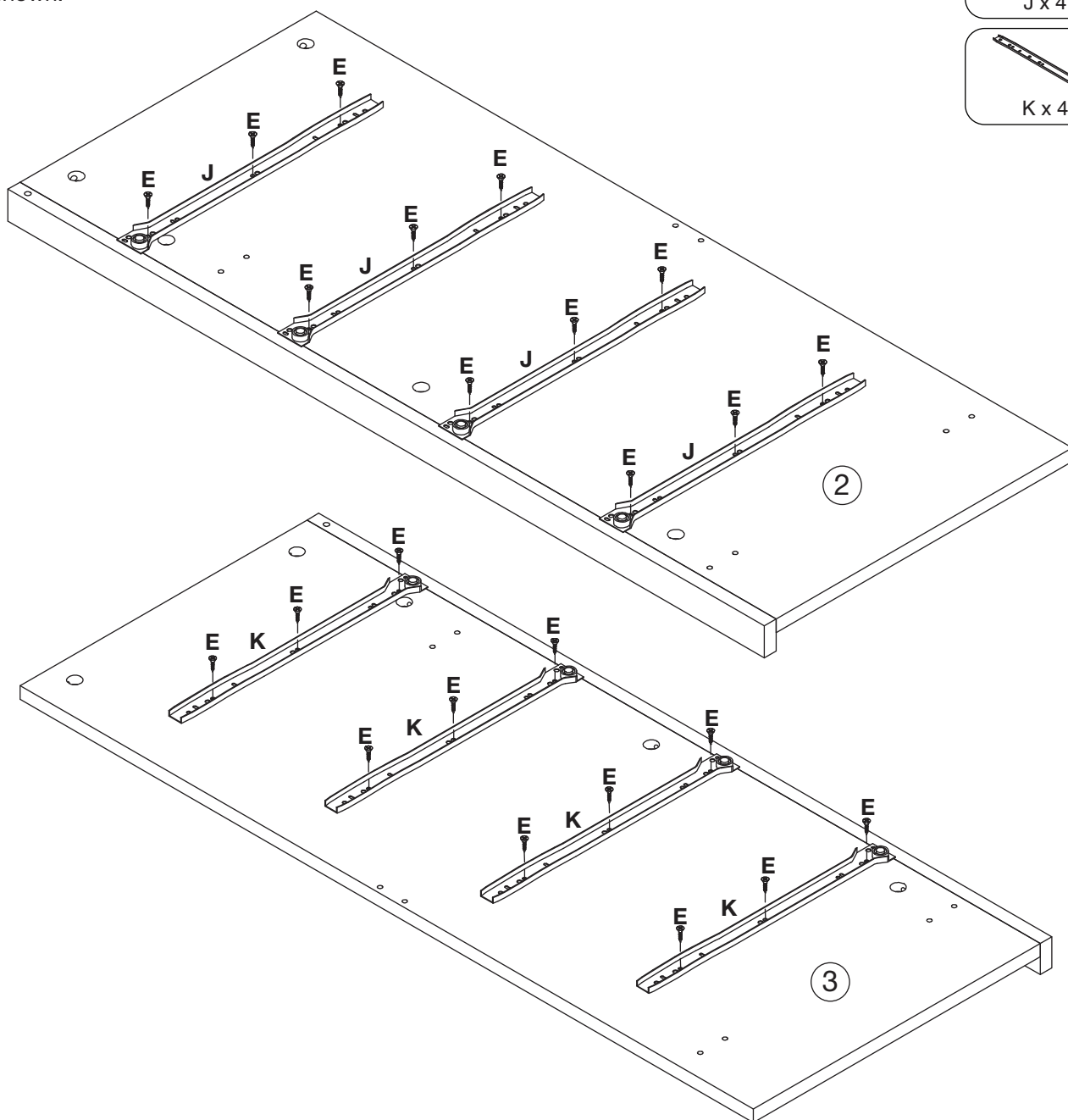
E x 24



J x 4



K x 4



Hampton Chest of 5 Drawers

STEP 4

Insert wooden dowel (D) to part 10 and attach part 2 to parts 4, 5, 6 and 10 using screws (G), as shown.

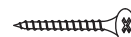
Stick cap stickers (F) on screws (G), as shown.



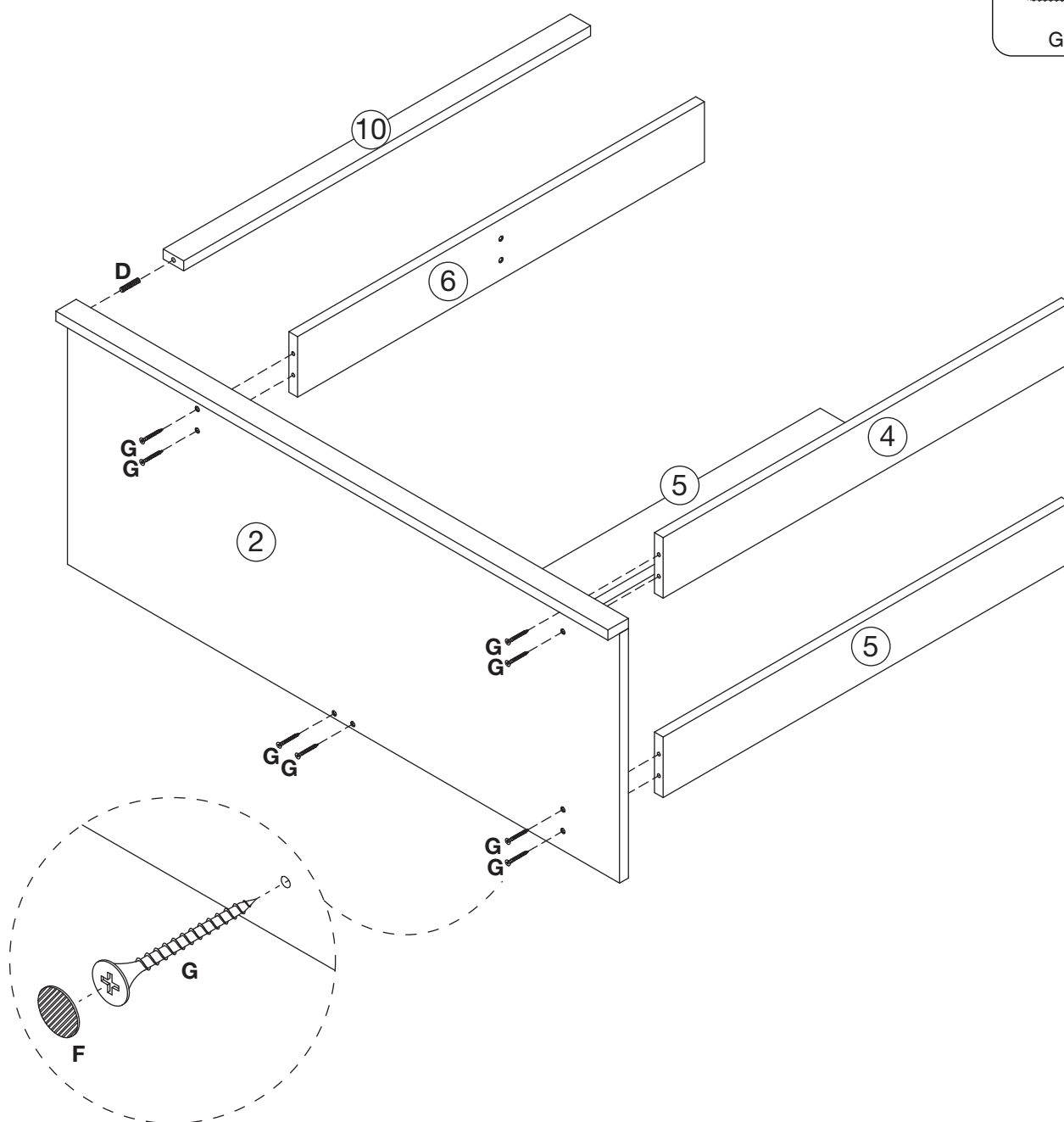
D x 1



F x 8



G x 8

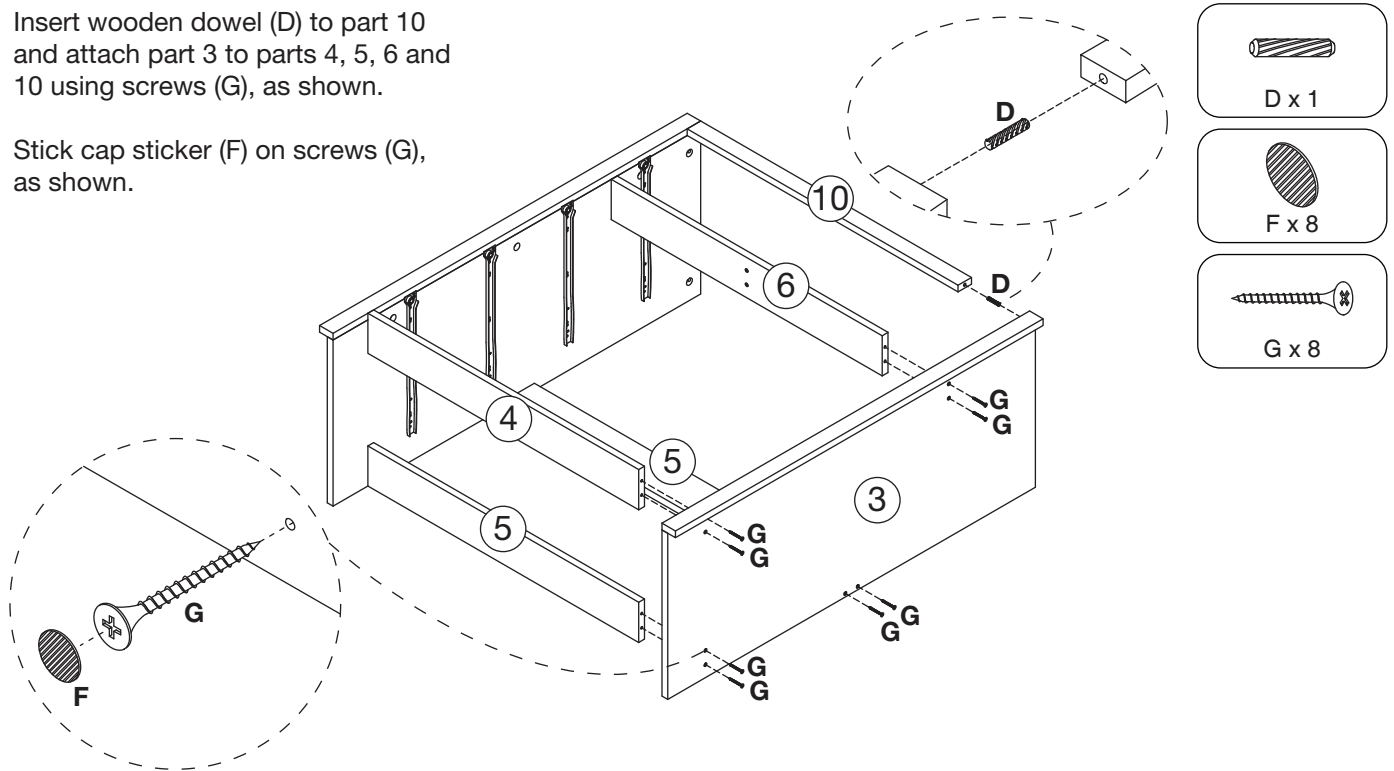


Hampton Chest of 5 Drawers

STEP 5

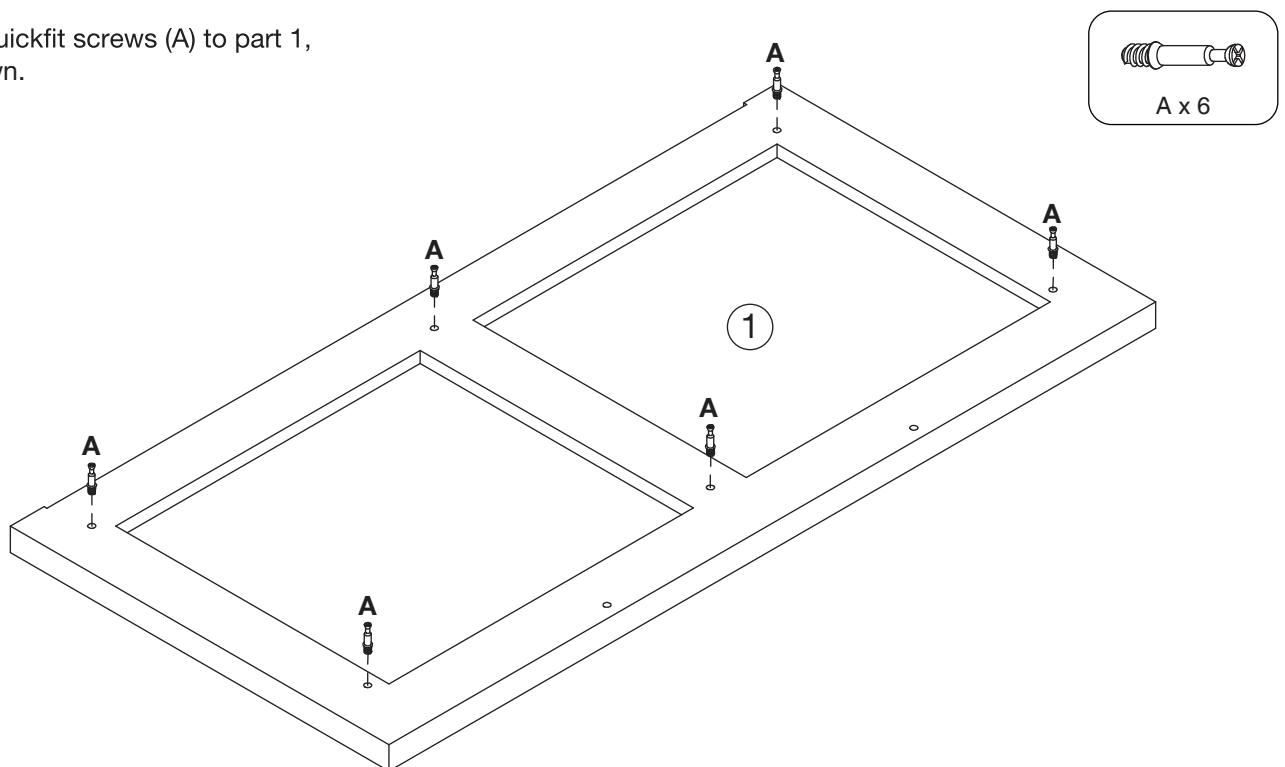
Insert wooden dowel (D) to part 10 and attach part 3 to parts 4, 5, 6 and 10 using screws (G), as shown.

Stick cap sticker (F) on screws (G), as shown.



STEP 6

Insert quickfit screws (A) to part 1, as shown.

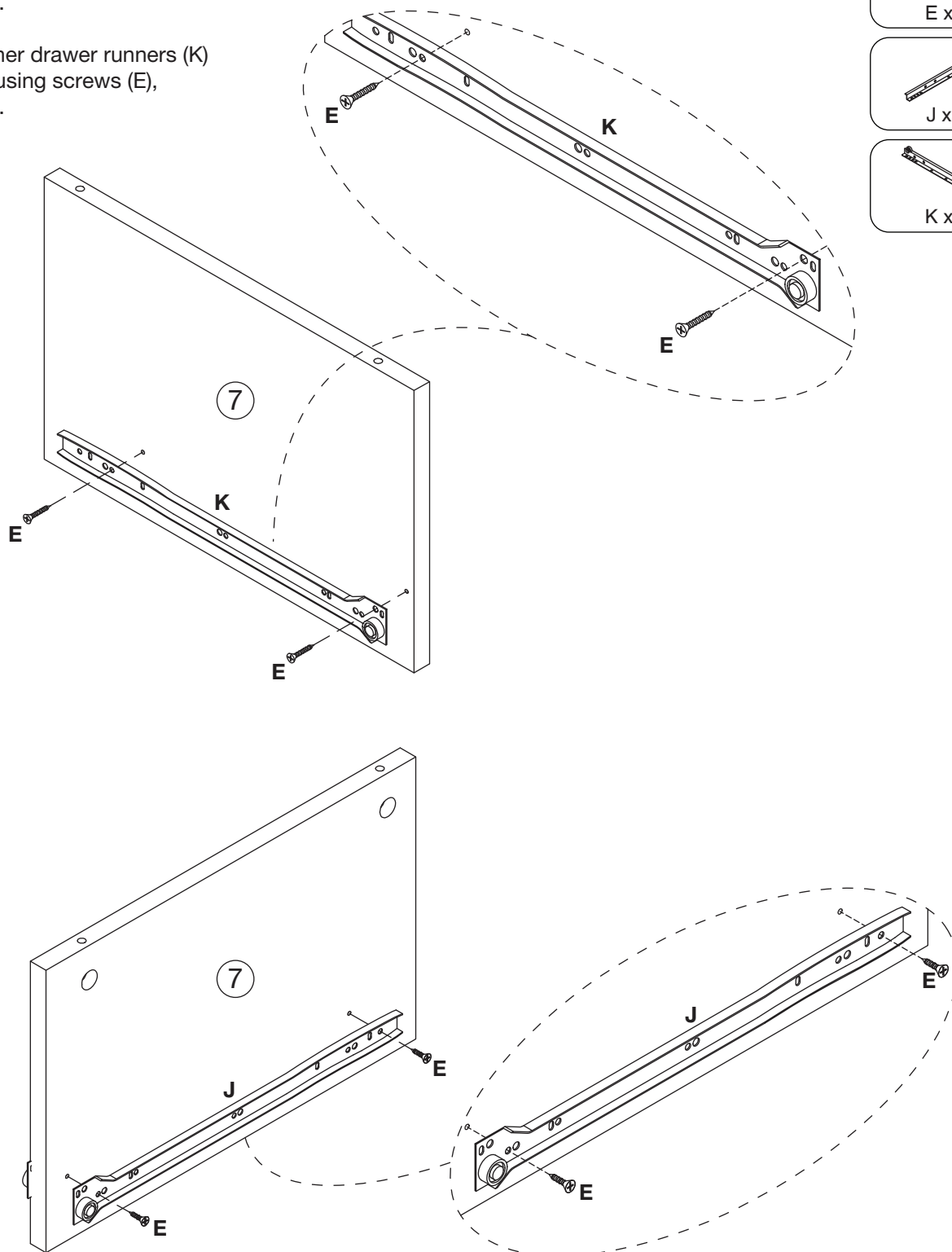


Hampton Chest of 5 Drawers

STEP 7

Fix right inner drawer runners (J) to part 7 using screws (E), as shown.

Fix left inner drawer runners (K) to part 7 using screws (E), as shown.



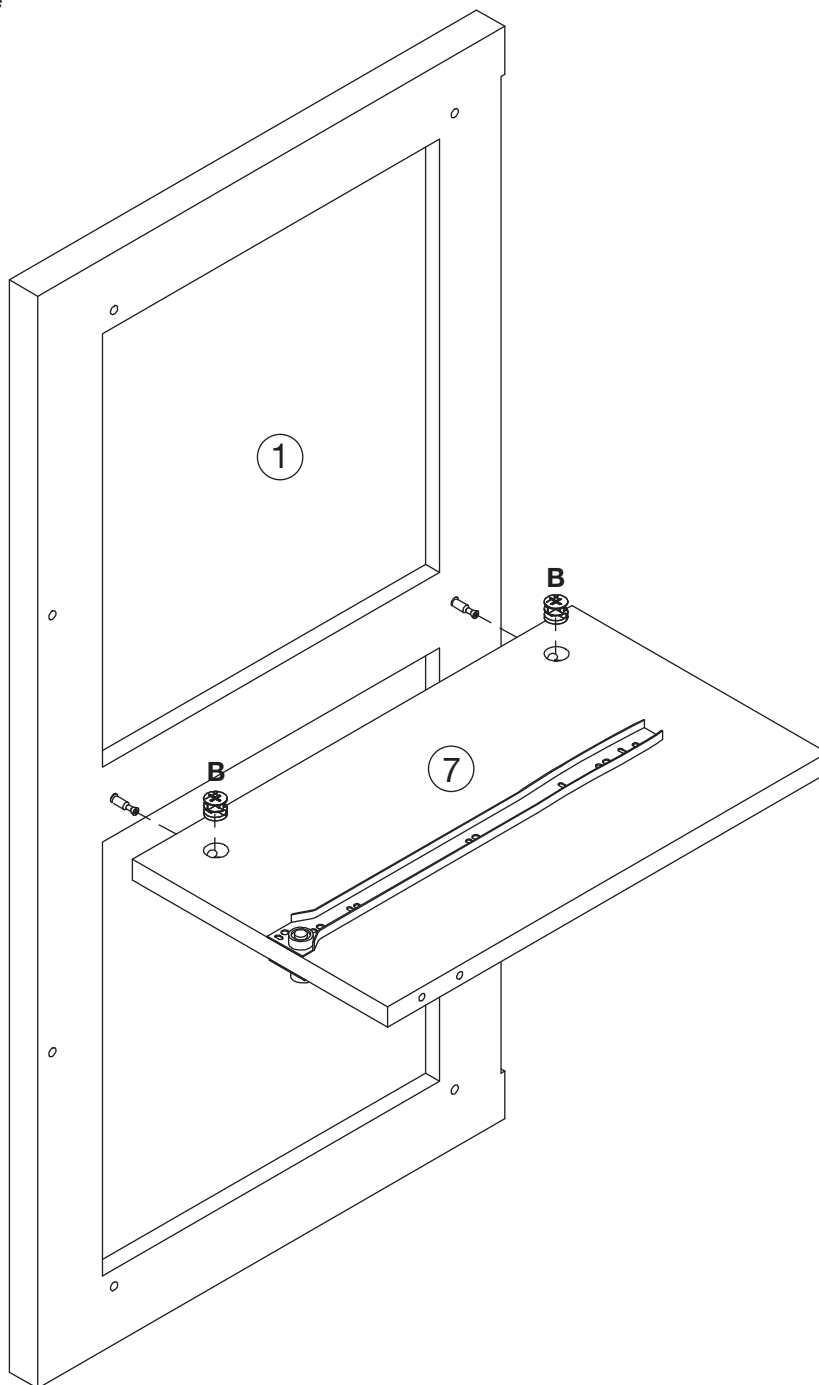
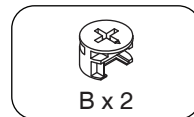
Hampton Chest of 5 Drawers

STEP 8

Insert cam locks (B) to part 7.

Fix part 7 to part 1, as shown.

Turn cam locks clockwise to tighten.



Hampton Chest of 5 Drawers

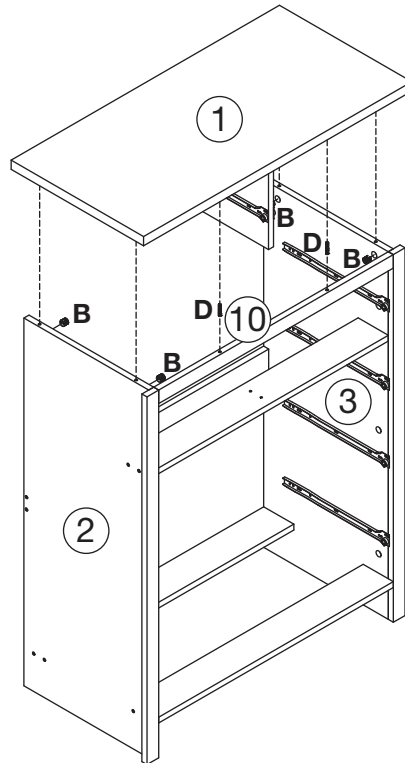
STEP 9

Insert wooden dowels (D) to part 10.

Insert cam locks (B) to parts 2 and 3, as shown.

Fix part 1 to parts 2, 3 and 10.

Turn cam locks clockwise to tighten.



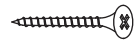
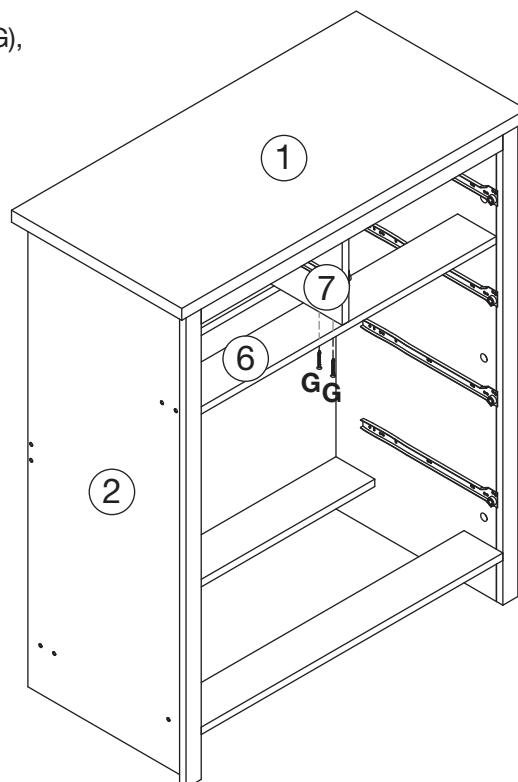
B x 4



D x 2

STEP 10

Fix part 6 to part 7 using screws (G), as shown.



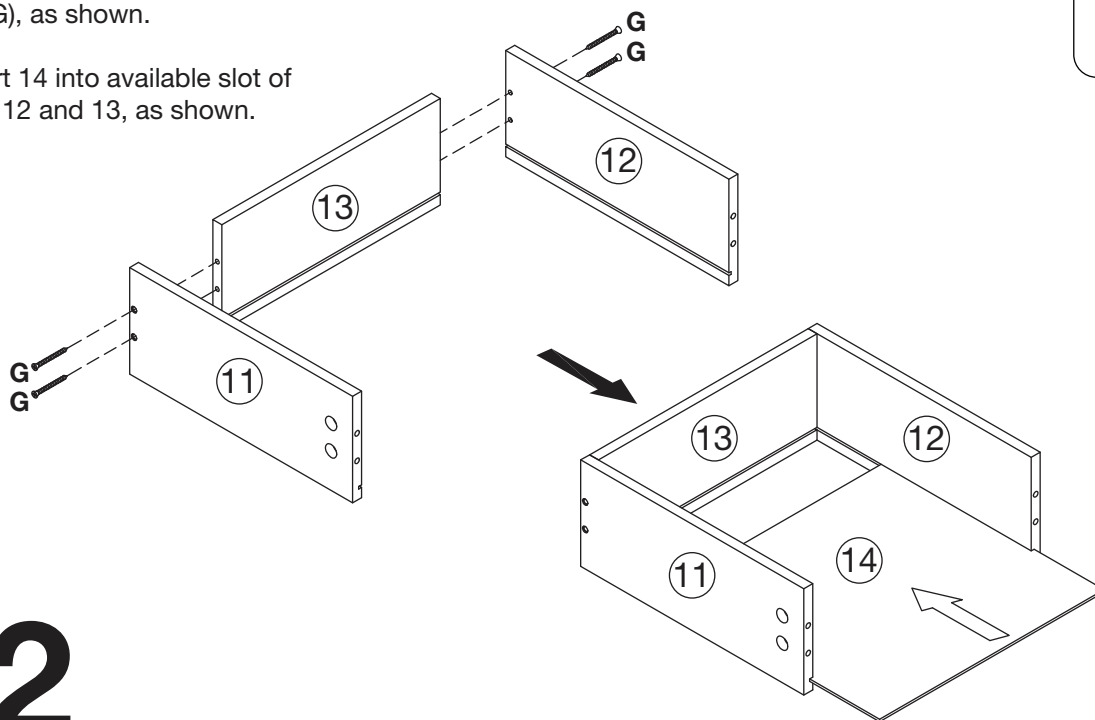
G x 2

Hampton Chest of 5 Drawers

STEP 11

Fix parts 11 and 12 to part 13 using screws (G), as shown.

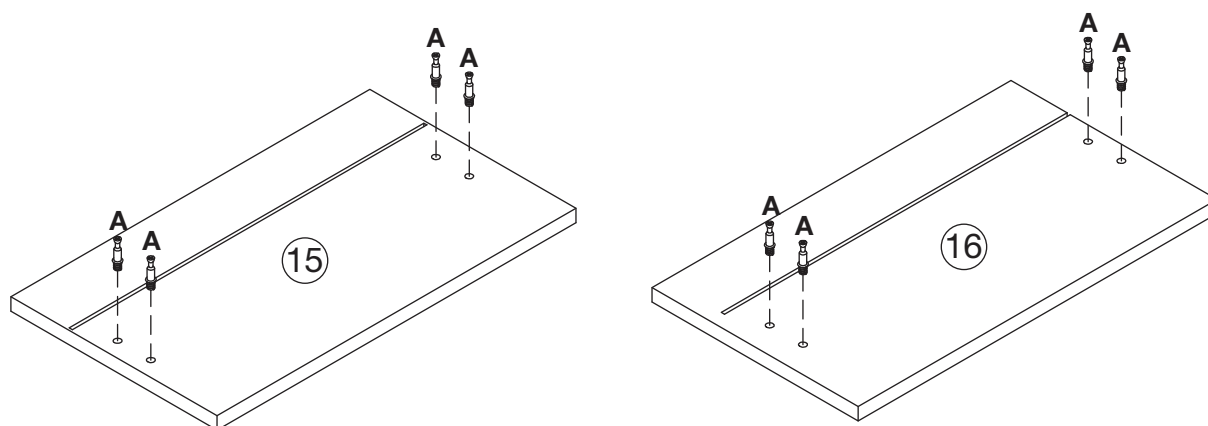
Insert part 14 into available slot of parts 11, 12 and 13, as shown.



x2

STEP 12

Insert quickfit screws (A) to parts 15 and 16, as shown.



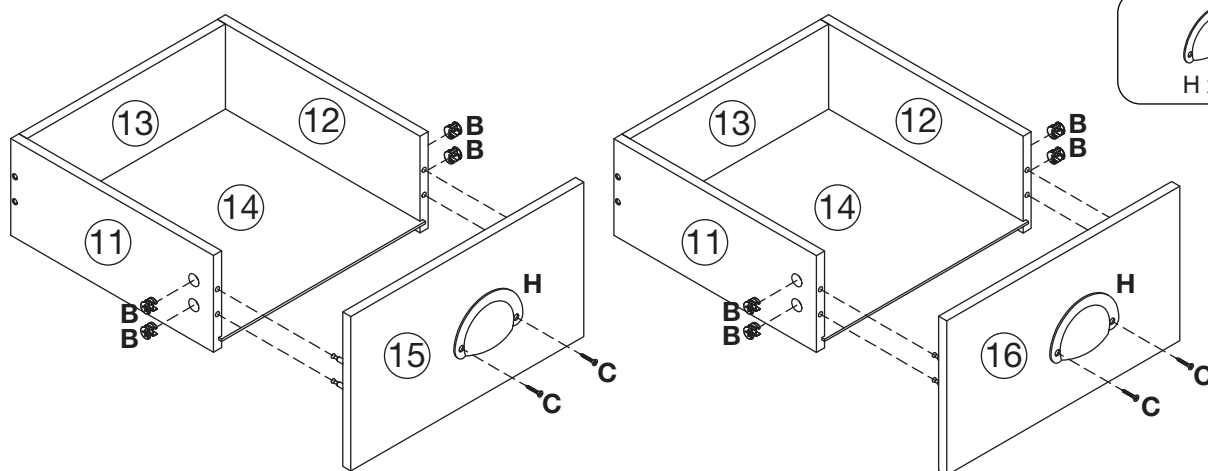
Hampton Chest of 5 Drawers

STEP 13

Fix handles (H) to parts 15 and 16 using screws (C).

Insert cam locks (B) and fix parts 15 and 16 to parts 11 and 12, as shown.

Turn cam locks clockwise to tighten.



B x 8



C x 4

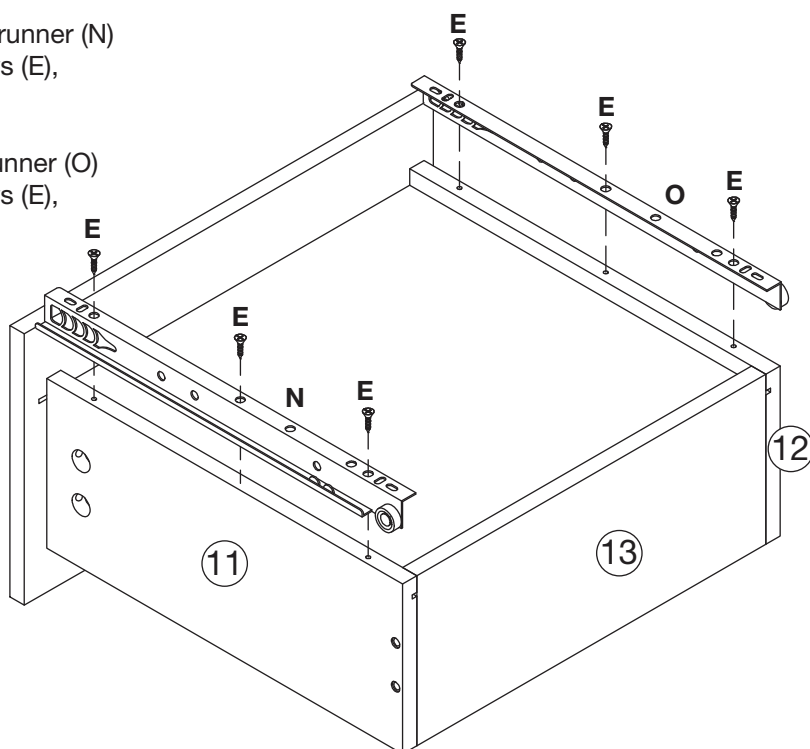


H x 2

STEP 14

Fix right outer drawer runner (N) to part 11 using screws (E), as shown.

Fix left outer drawer runner (O) to part 12 using screws (E), as shown.



E x 6



N x 1



O x 1

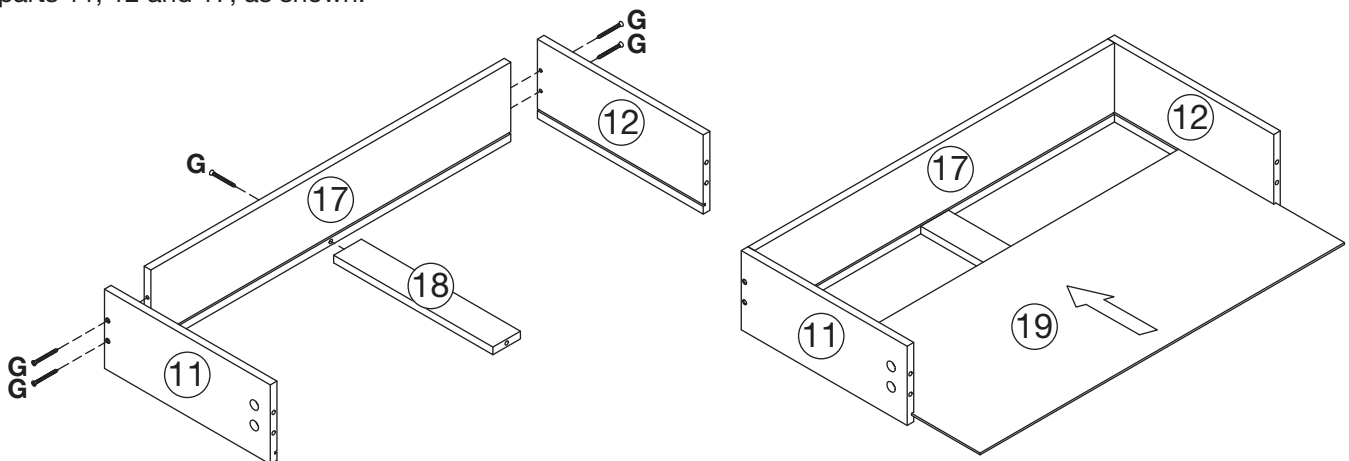
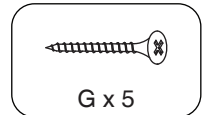
x2

Hampton Chest of 5 Drawers

STEP 15

Fix parts 11, 12 and 18 to part 17 using screws (G), as shown.

Insert part 19 into available slot of parts 11, 12 and 17, as shown.



x3

STEP 16

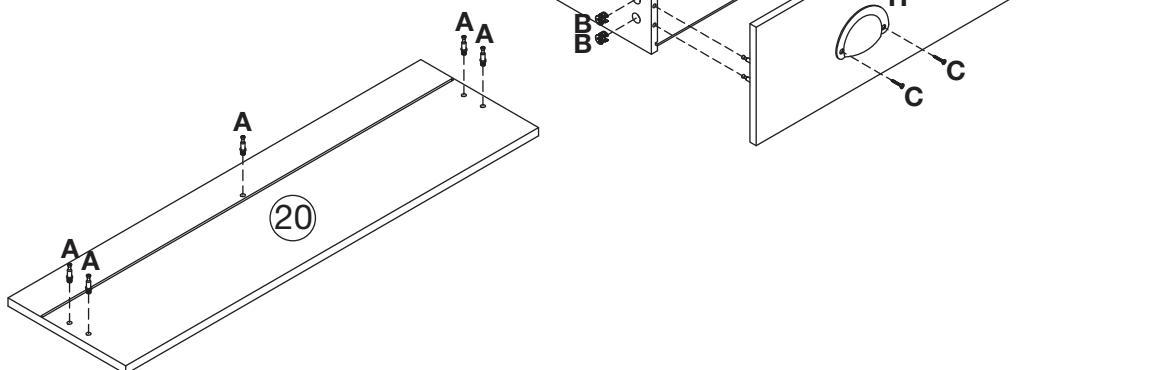
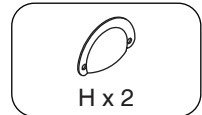
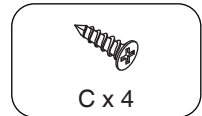
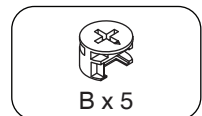
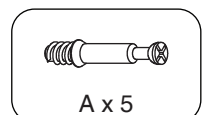
Insert quickfit screws (A) to part 20, as shown.

Fix handles (H) to part 20 using screws (C).

Insert cam locks (B) to parts 11 and 12, as shown.

Fix part 20 to parts 11 and 12, as shown.

Turn cam locks clockwise to tighten.



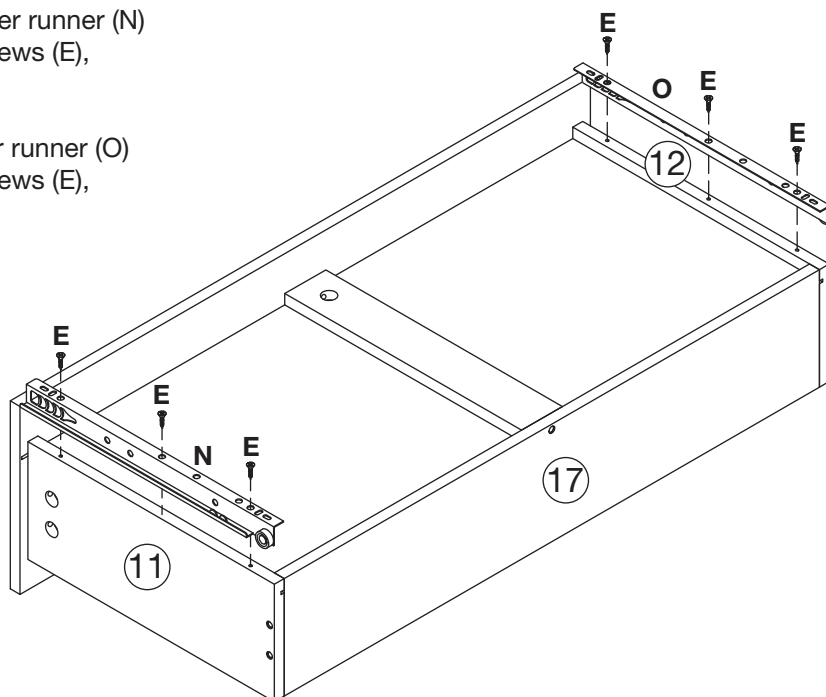
x3

Hampton Chest of 5 Drawers

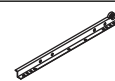
STEP 17

Fix right outer drawer runner (N) to part 11 using screws (E), as shown.

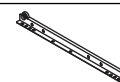
Fix left outer drawer runner (O) to part 12 using screws (E), as shown.



E x 6



N x 1



O x 1

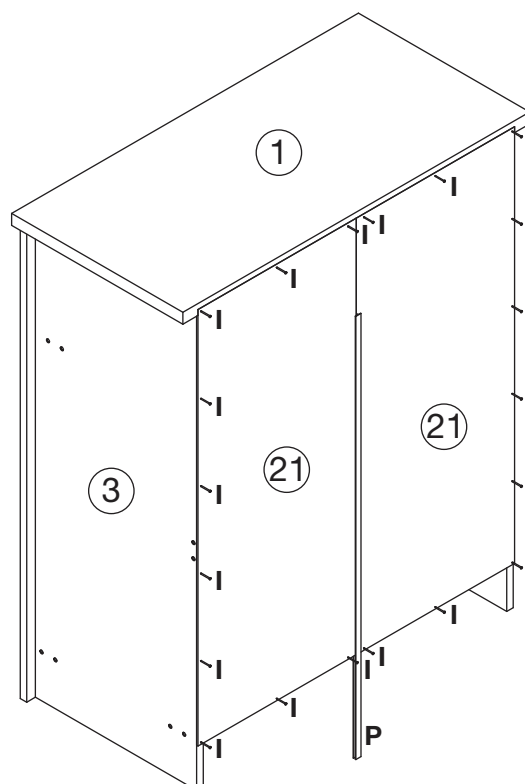
Repeat steps 15 - 17 for the remaining 2 drawers

x3

STEP 18

Insert plastic wedge (P) between parts 21, as shown.

Fix parts 21 to assembled unit using nails (I), as shown.



I x 20



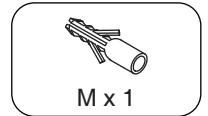
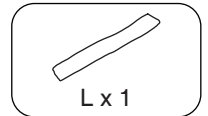
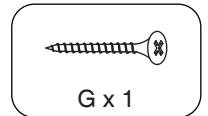
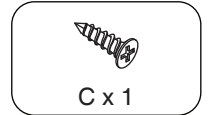
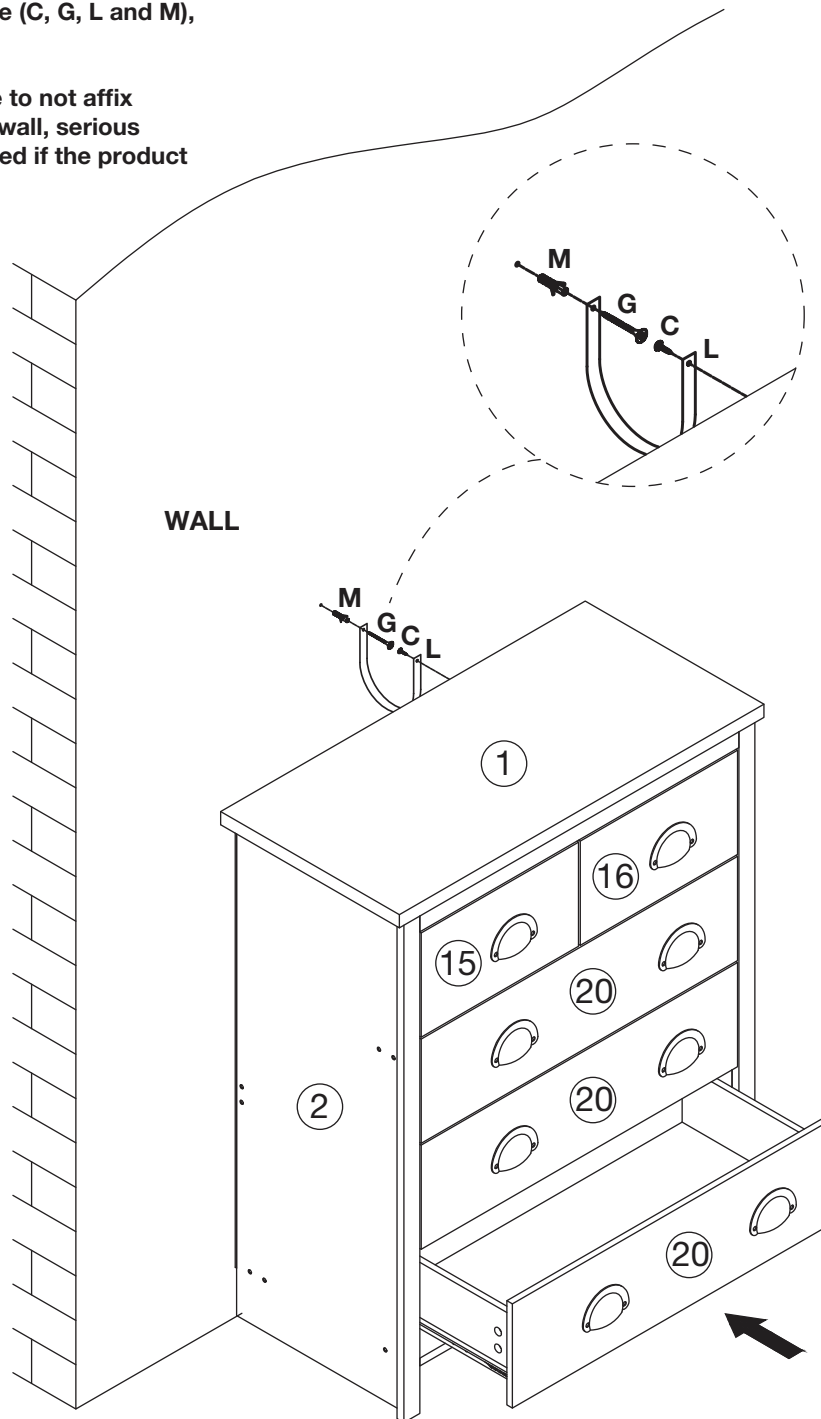
P x 1

Hampton Chest of 5 Drawers

STEP 19

For extra stability, it is recommended that you fix the drawers to a wall using additional hardware (C, G, L and M), as shown.

Should you choose to not affix the product to the wall, serious injury may be caused if the product tips over.



Your chest of 5 drawers is ready for use.

Maximum recommended weight limit is 5kg per drawer.

Hampton Chest of 5 Drawers

WALL FIXING GUIDE

NOTE: Supplied wall plugs are only suitable for use in masonry walls.

If you have any doubts about using the correct plug for your wall, please seek professional advice. Failure of the product due to using incorrect fixings is the responsibility of the installer.



IMPORTANT:

When drilling into walls, always check for hidden wires or pipes, etc.



Tips & Tricks

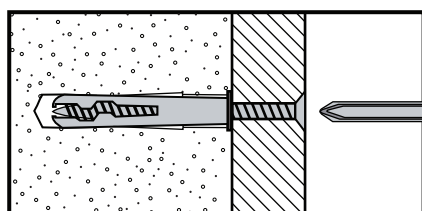
Make sure that the hardware used is suitable for supporting your unit.

Please consult a qualified tradesperson if unsure.

- ☑ If you are unsure, please select a larger screw and wall plug.
- ☑ Ensure that you use the recommended drill bit to match the wall plug and hole size.
- ☑ Take extra care when drilling high walls, ceiling and ceramic tiles. Ensure wall plugs are inserted beyond the thickness of the ceramic tiles to avoid splitting or cracking.
- ☑ Ensure that wall plugs are well fitted and are a tight fit in the drilled hole.

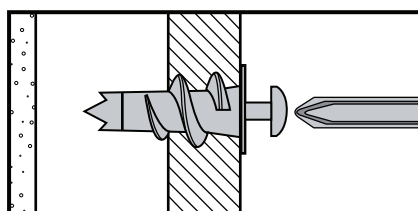
Types of Walls

Use one of the following types of wall plug (not included) if your walls are made of brick, breeze block, concrete, stone or wood. Screws may be able to be fixed directly to solid wood walls as they will provide a secure anchor point.



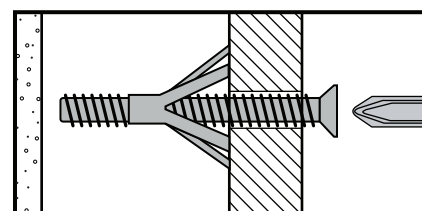
1. General Purpose Wall Plug

Generally, aerated blocks should not be used to support heavy loads, use a specialist fitting in this case. For light loads, general purpose wall plugs can be used.



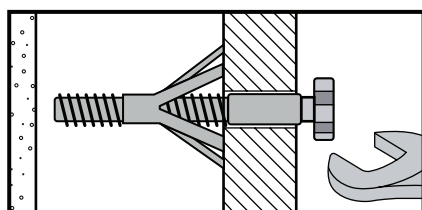
2. Plasterboard Wall Plug

For use when attaching light loads onto plasterboard partitions.



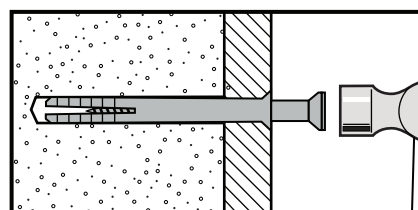
3. Cavity Fixing Wall Plug

For use with plasterboard partitions or hollow wooden doors.



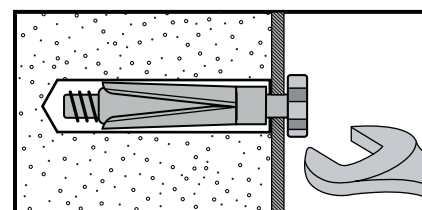
4. Cavity Fixing Heavy Duty Wall Plug

For use when fitting or supporting heavy loads such as shelving and wall cabinets.



5. Hammer Fixing Wall Plug

For use with concrete block or brick walls, or walls stuck with plasterboard. The hammer fixing allows it to be fixed to the wall rather than the plasterboard. Always check the fixing is secure to the retaining wall.



6. Shield Anchor Wall Plug Heavy Loads

For use with concrete or brick walls, or for use with heavier loads such as TV & HiFi speakers and satellite dishes, etc.