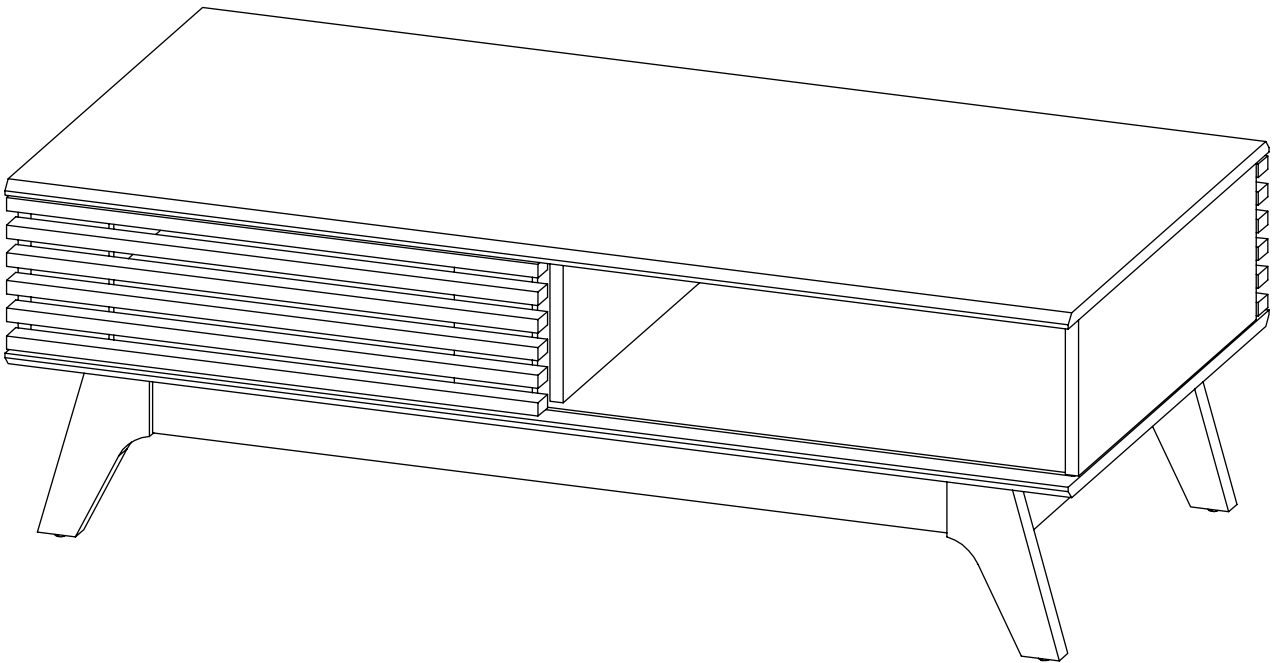


COFFEE TABLE

ASSEMBLY INSTRUCTIONS

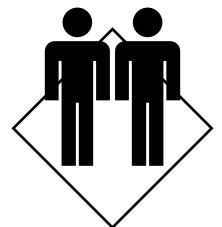


TIPS BEFORE YOU START

1. Please check that all parts are present before you start the assembly of your furniture.
2. For ease and speed of assembly, we recommend that before you commence each step of the assembly, that you identify all the parts required for that step.
3. For larger items, please ensure that you have sufficient space and people to assemble your product safely.
4. We recommend that, where possible, all items are assembled near to the area in which they will be placed in use, to avoid moving the product unnecessarily once assembled.
5. For the protection of your furniture, we recommend that the product is placed on a protected surface during assembly to prevent any damage.
6. During assembly please take care not to over-tighten any fittings, as this may damage the product. Do not use power tools.
7. Always place the product on a flat, steady and stable surface.
8. Do not stand on the product. Do not use the product as a stepladder.
9. This product is intended for indoor, household use only as it is a non-industrial product.
10. Please use caution and care when lifting the product to avoid personal injury and/or product damage.

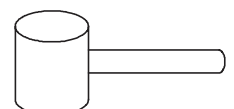
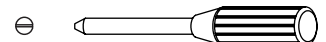
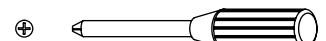
CARE AND MAINTENANCE OF YOUR FURNITURE

- ✓ Please periodically check all fittings and re-tighten as necessary.
- ✓ To clean your item, please use a damp cloth and wipe clean.
- ✓ To clean glass, please use glass cleaner.
- ✓ Never allow any kind of liquid to remain on your furniture. Absorption can cause wood to warp or finishes to de-laminate.
- ✓ Please do not place hot items (eg. hot drinks) directly on to the surface.
- ✓ Please do not drag and pull your furniture.



ASSEMBLY REQUIREMENTS

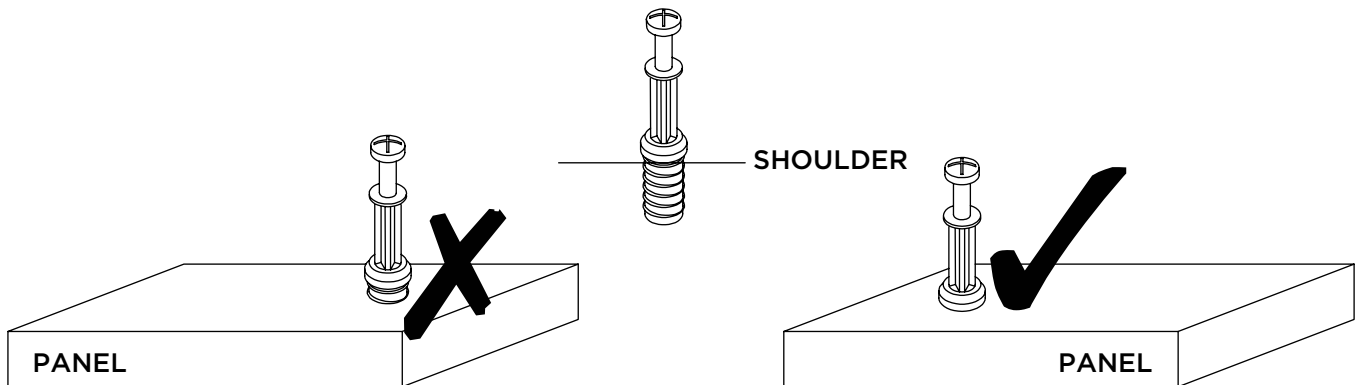
- ✓ Equipment: phillips head screwdriver, flat head screwdriver and soft rubber hammer
- ✓ 2 x adults required
- ✓ 1m x 2m assembly space required
- ✓ 1 hour assembly time approx.



USING CAM LOCK AND QUICKFIT

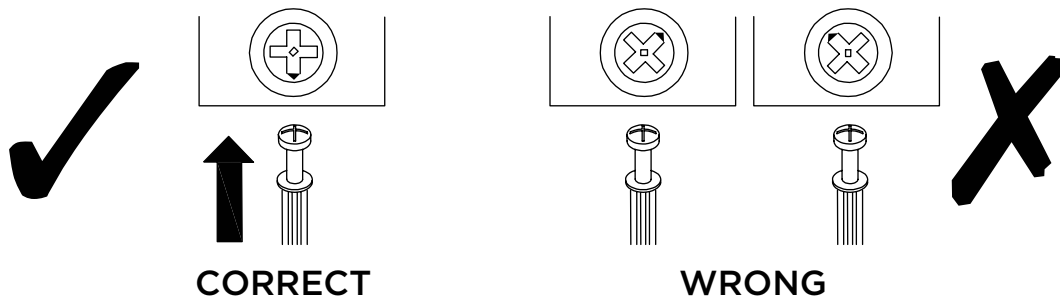
QUICKFIT

Tighten quickfit until shoulder is flush with panel. Do not overtighten or undertighten.



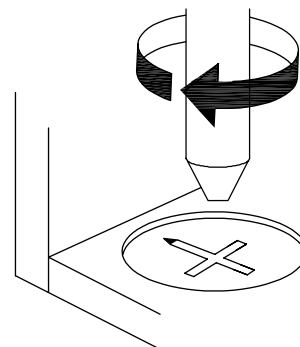
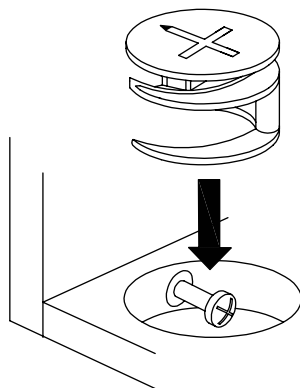
CAM LOCK

When fitting cam lock, ensure starting position is correct before you insert connecting quickfit.



Quickfit head should be in the centre of the cam lock when the two panels are joined.
Cam lock should be inserted before quickfit.

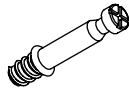
Turn cam lock clockwise to tighten.



HARDWARE LIST



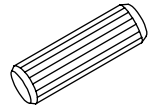
10 x A
Cam Lock



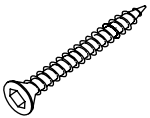
10 x B
Quickfit
Screw



10 x C
Cover



20 x D
Wooden Dowel



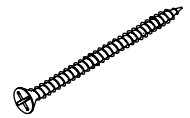
6 x E
Screw



1 x F
Allen Key



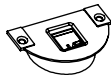
16 x G
Screw



14 x H
Screw



4 x I
Leg

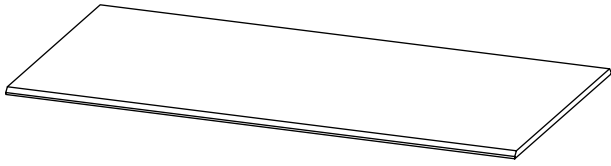


4 x J
Roller

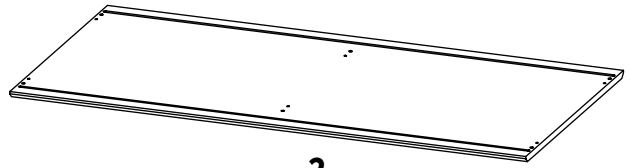


4 x K
Roller

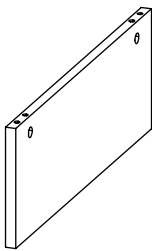
PARTS LIST



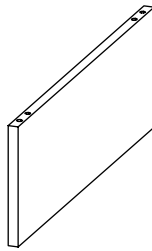
1
1 PC



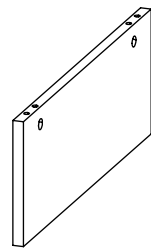
2
1 PC



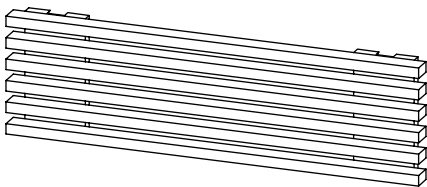
3
1 PC



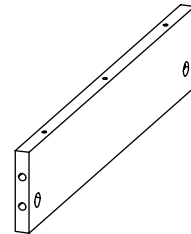
4
1 PC



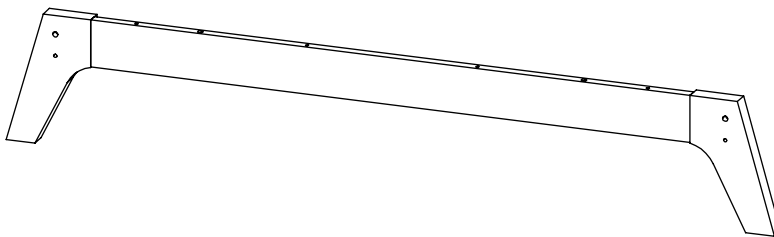
5
1 PC



6
2 PCS



7
2 PCS



8
2 PCS

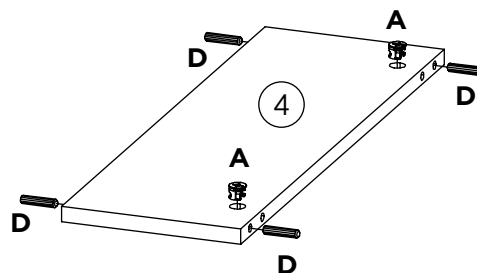
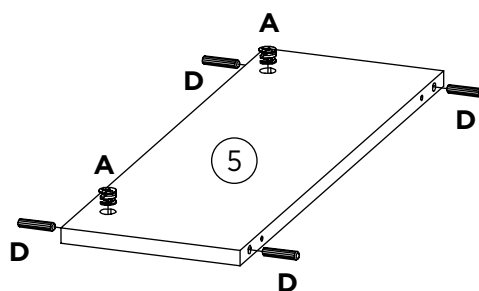
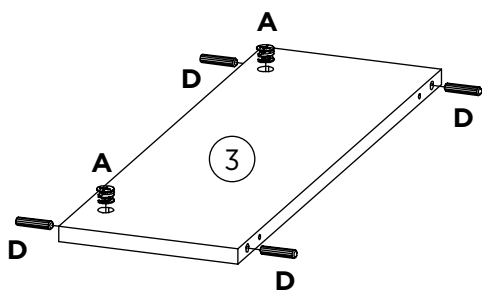
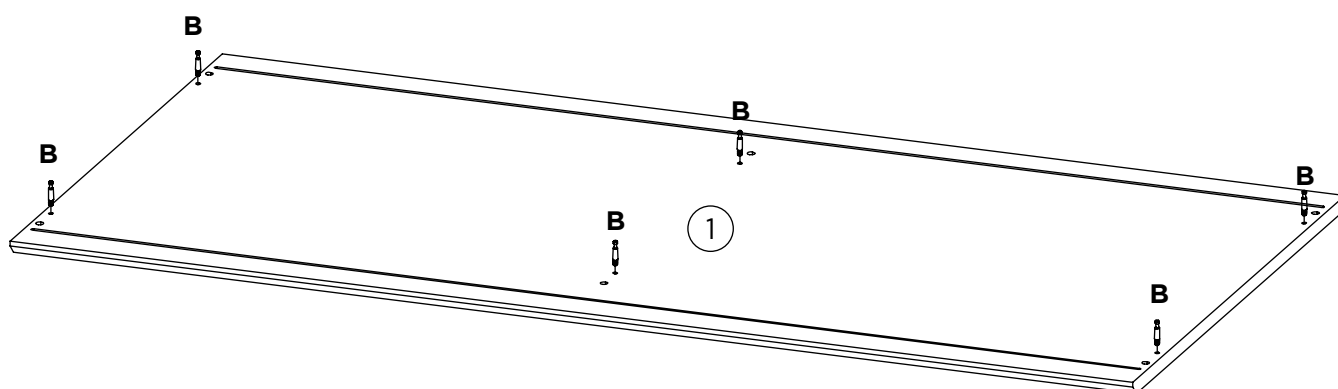
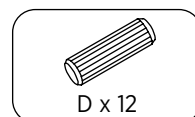
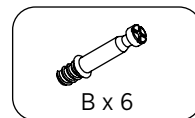
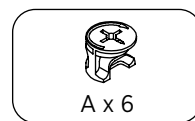
ASSEMBLY INSTRUCTIONS

STEP 1

Insert cam locks (A) to parts 3, 4 and 5.

Insert quickfit screws (B) to part 1.

Insert wooden dowels (D) to parts 3, 4 and 5, as shown.



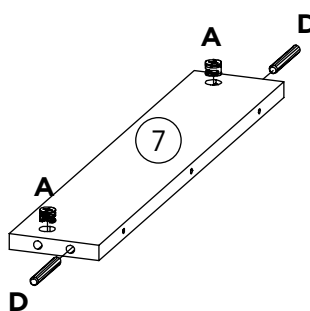
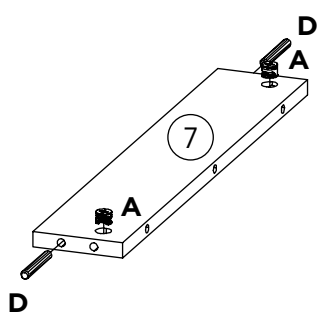
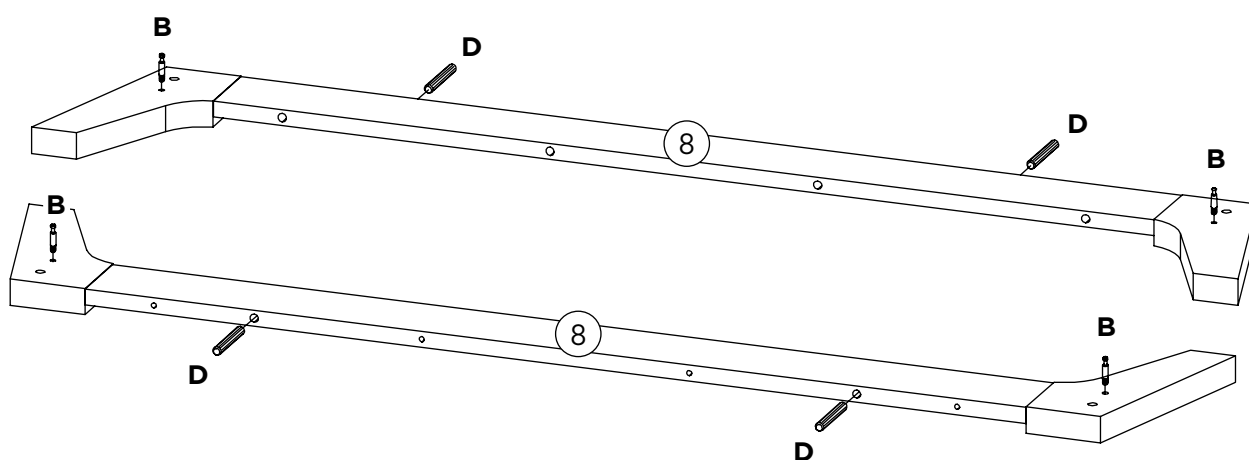
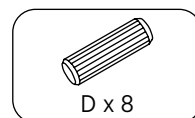
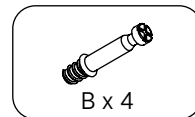
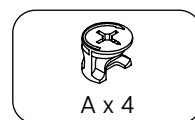
ASSEMBLY INSTRUCTIONS

STEP 2

Insert cam locks (A) to parts 7.

Insert quickfit screws (B) to parts 8.

Insert wooden dowels (D) to parts 7 and 8, as shown.



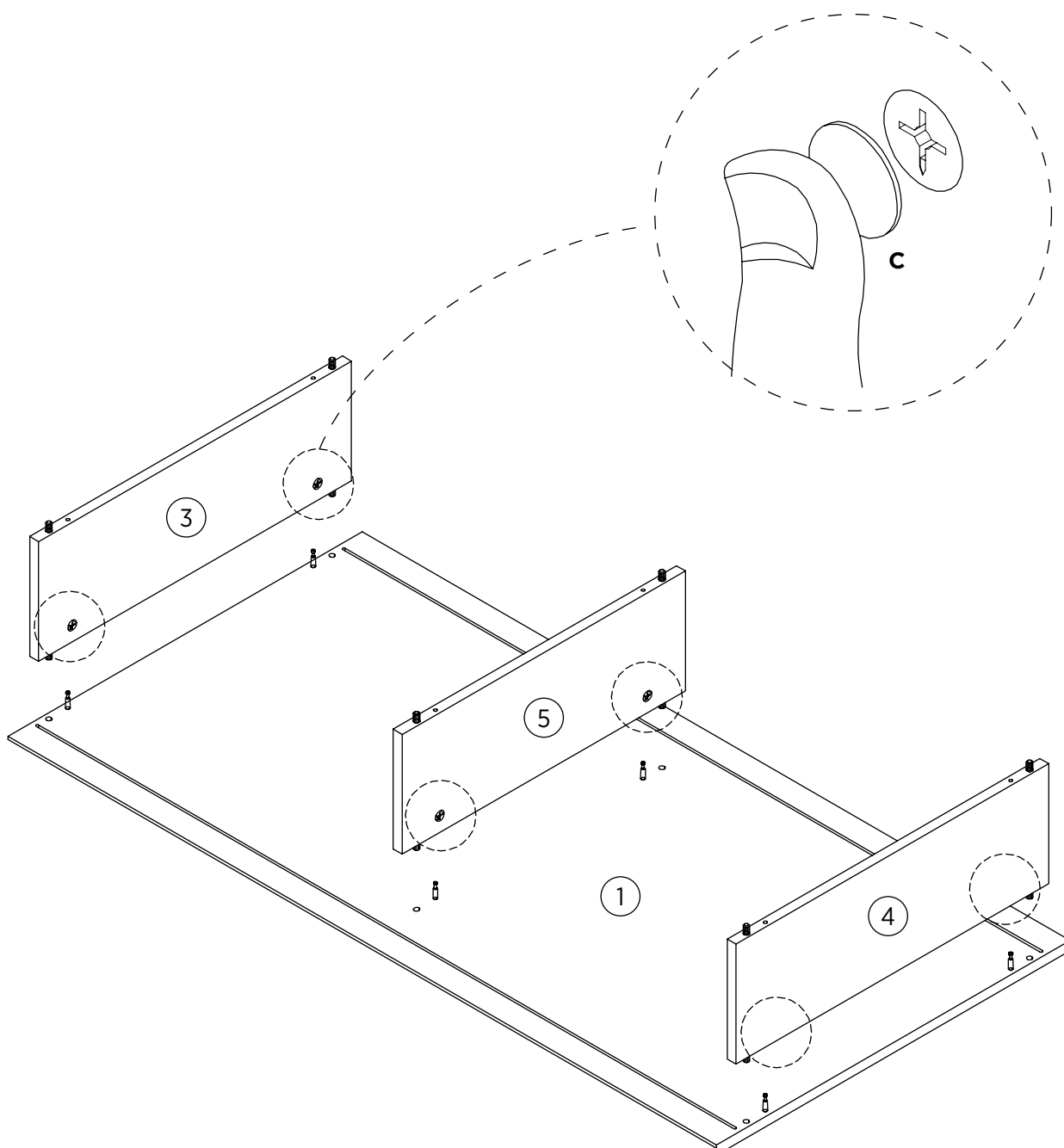
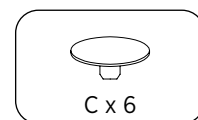
ASSEMBLY INSTRUCTIONS

STEP 3

Fix parts 3, 4 and 5 to part 1.

Turn cam locks clockwise to tighten

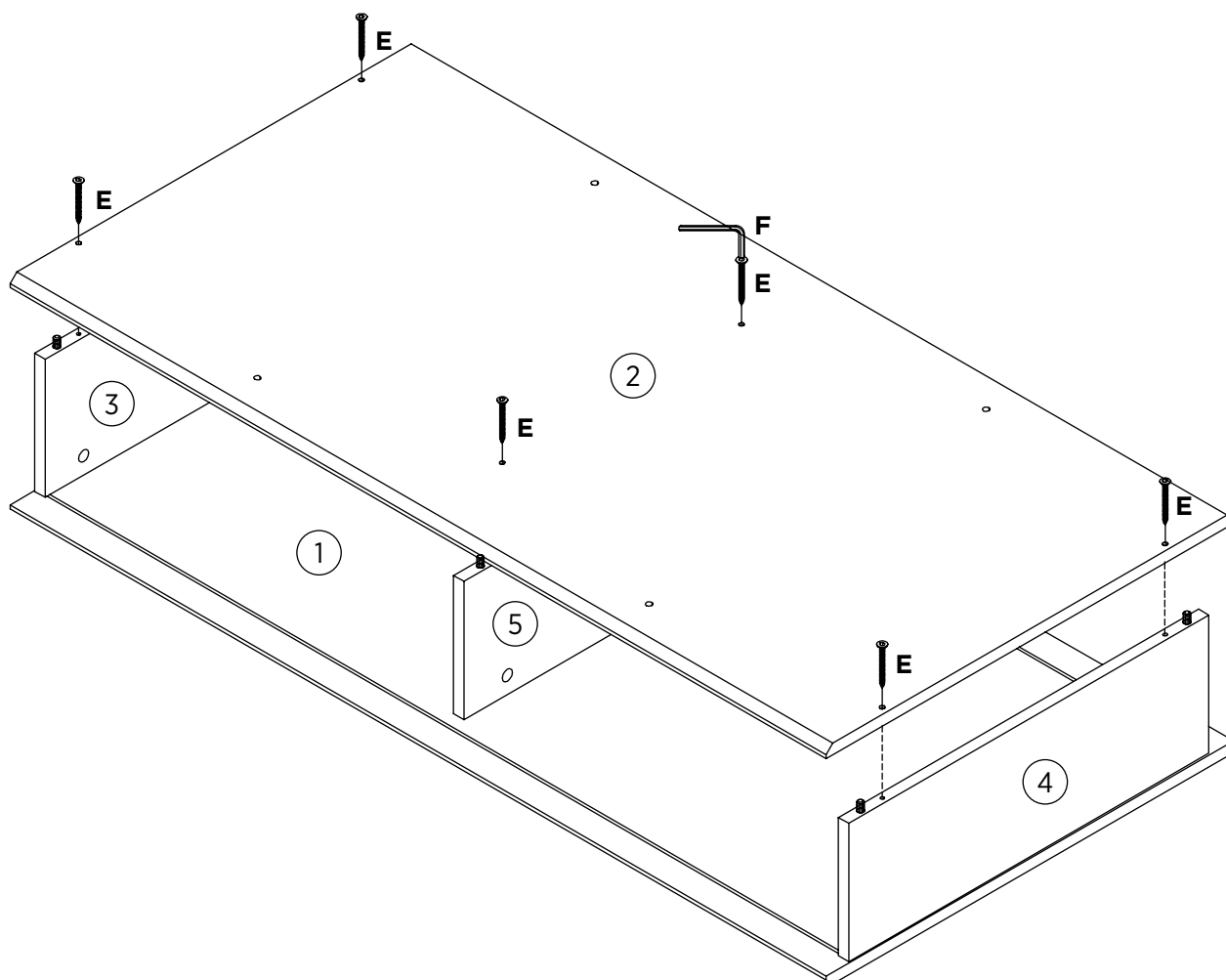
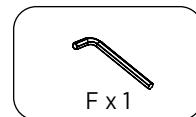
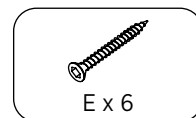
Attach covers (C) to parts 3, 4 and 5, as shown.



ASSEMBLY INSTRUCTIONS

STEP 4

Fix part 2 to parts 3, 4 and 5 using screws (E) and allen key (F), as shown.



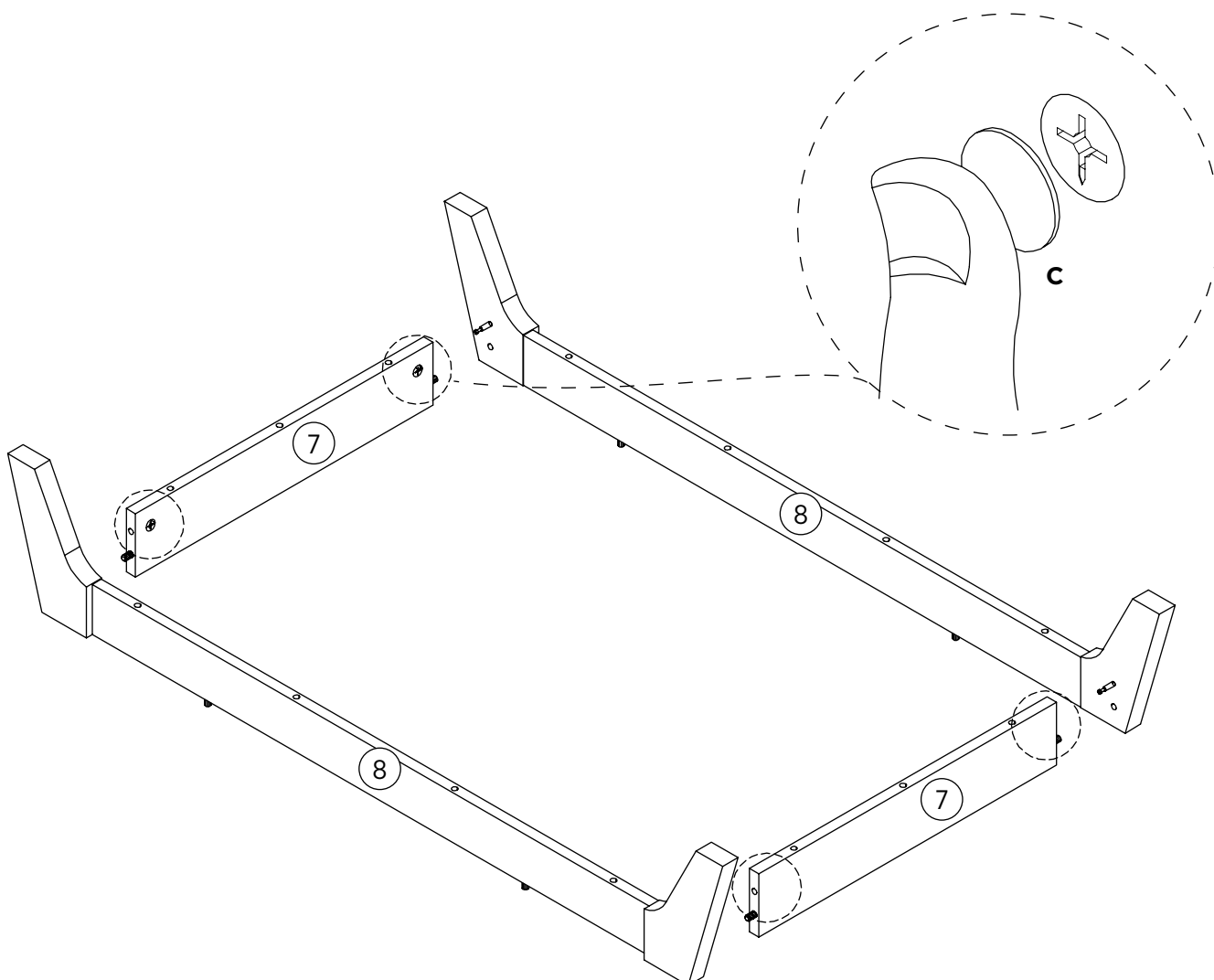
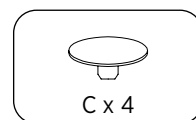
ASSEMBLY INSTRUCTIONS

STEP 5

Attach parts 7 to parts 8.

Turn cam lock clockwise to tighten.

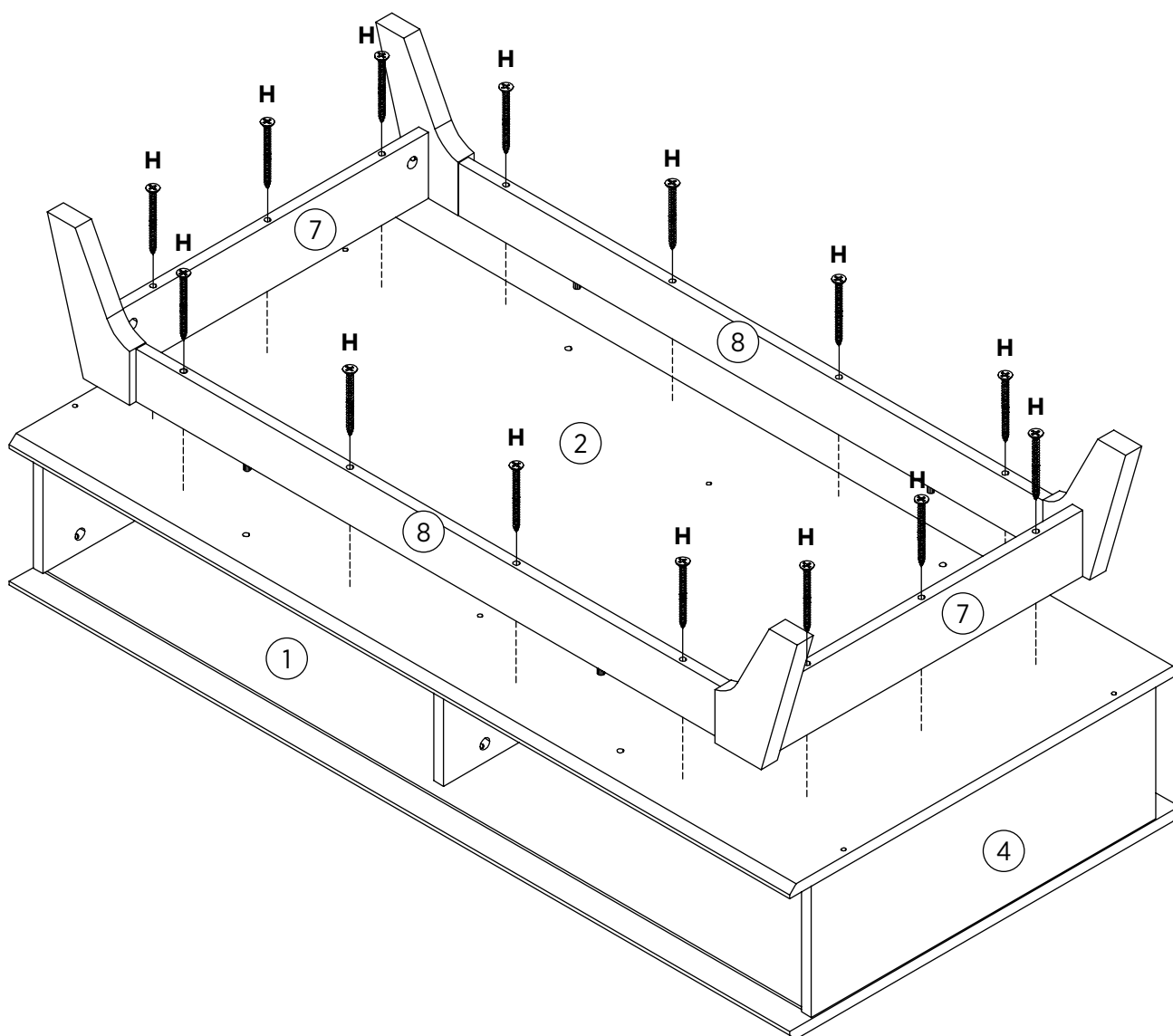
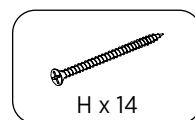
Attach covers (C) to part 7, as shown.



ASSEMBLY INSTRUCTIONS

STEP 6

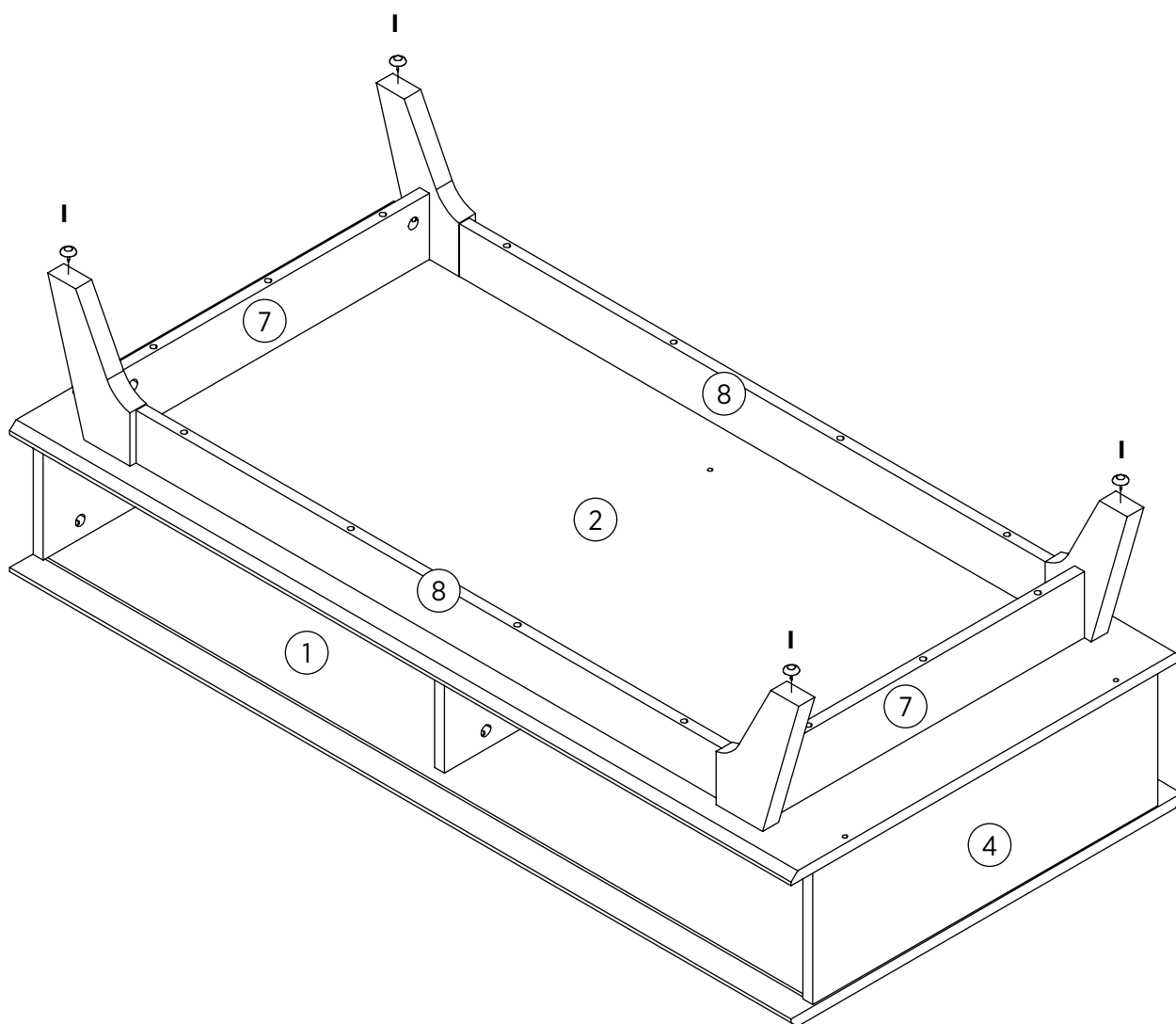
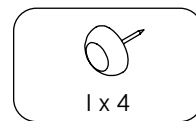
Fix parts 7 and 8 to part 2 using screws (H), as shown.



ASSEMBLY INSTRUCTIONS

STEP 7

Fix legs (1) to parts 8, as shown.



ASSEMBLY INSTRUCTIONS

STEP 8

Fix rollers (J) and (K) to parts 6 using screws (G), as shown.



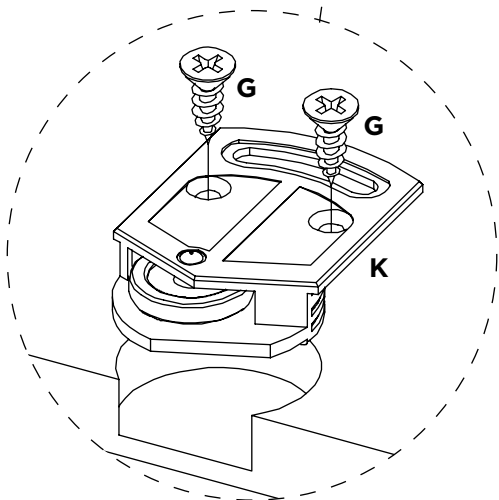
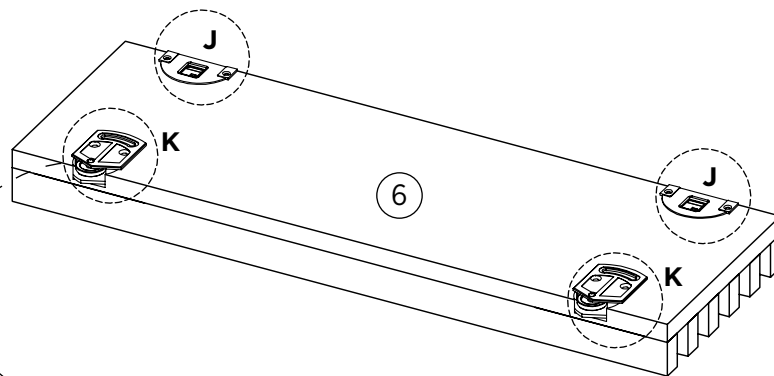
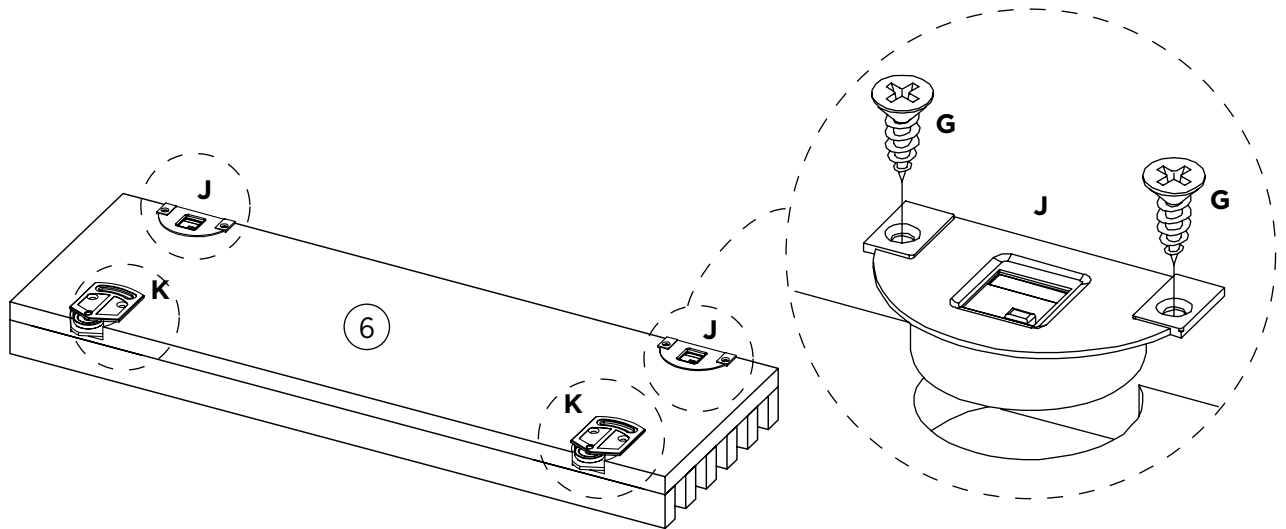
G x 16



J x 4



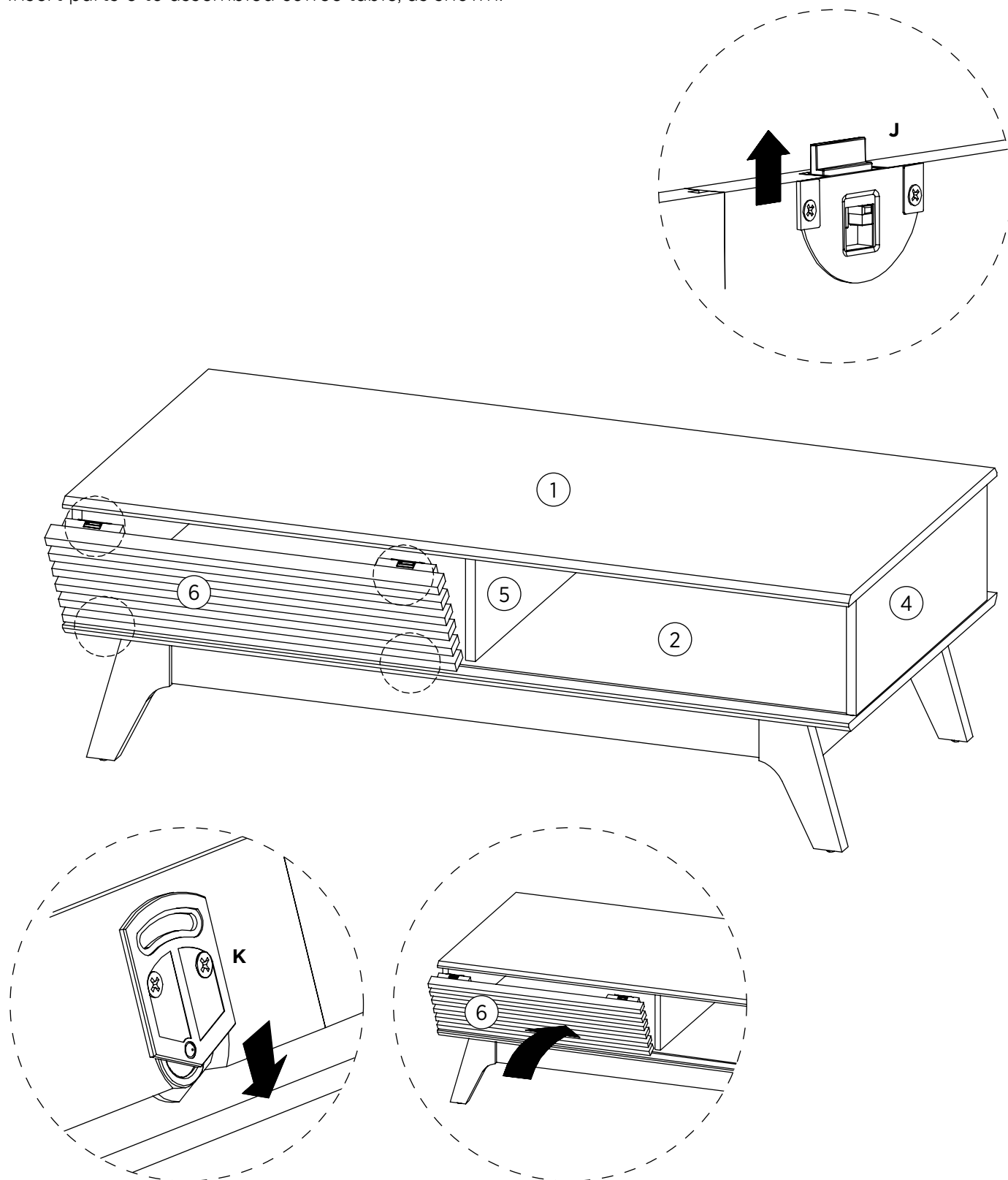
K x 4



ASSEMBLY INSTRUCTIONS

STEP 9

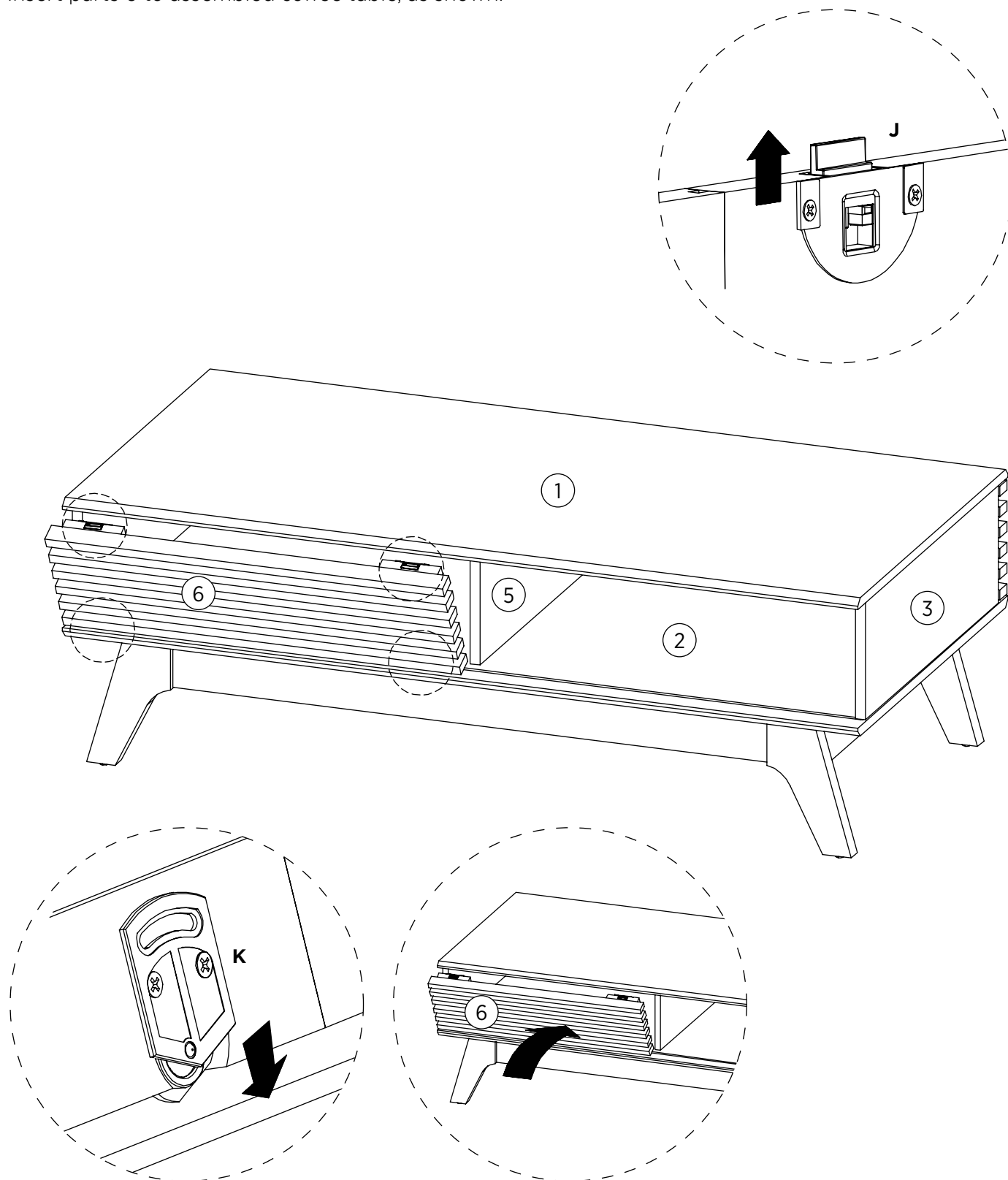
Insert parts 6 to assembled coffee table, as shown.



ASSEMBLY INSTRUCTIONS

STEP 10

Insert parts 6 to assembled coffee table, as shown.



ASSEMBLY INSTRUCTIONS

STEP 11

Please note: the maximum recommended weight is 5kg for each shelves and 20kg on top of coffee table.

Your coffee table is ready for use..

