

ASSEMBLY INSTRUCTIONS



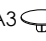








PAGE: 1/4

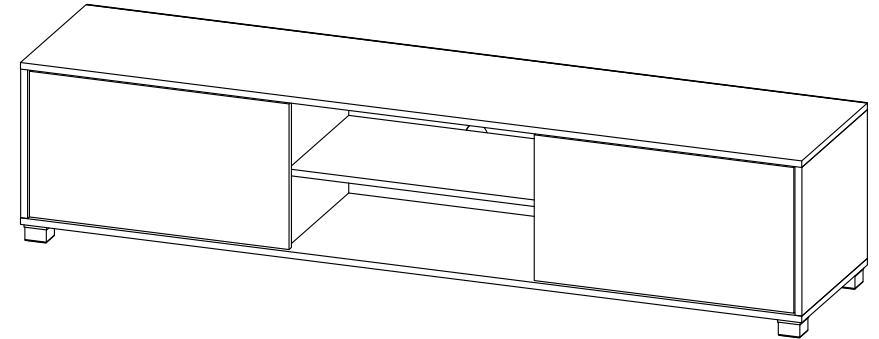
MODEL : UH 6007

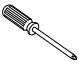

Before you begin, please follow assembly instructions carefully, then follow them step by step.

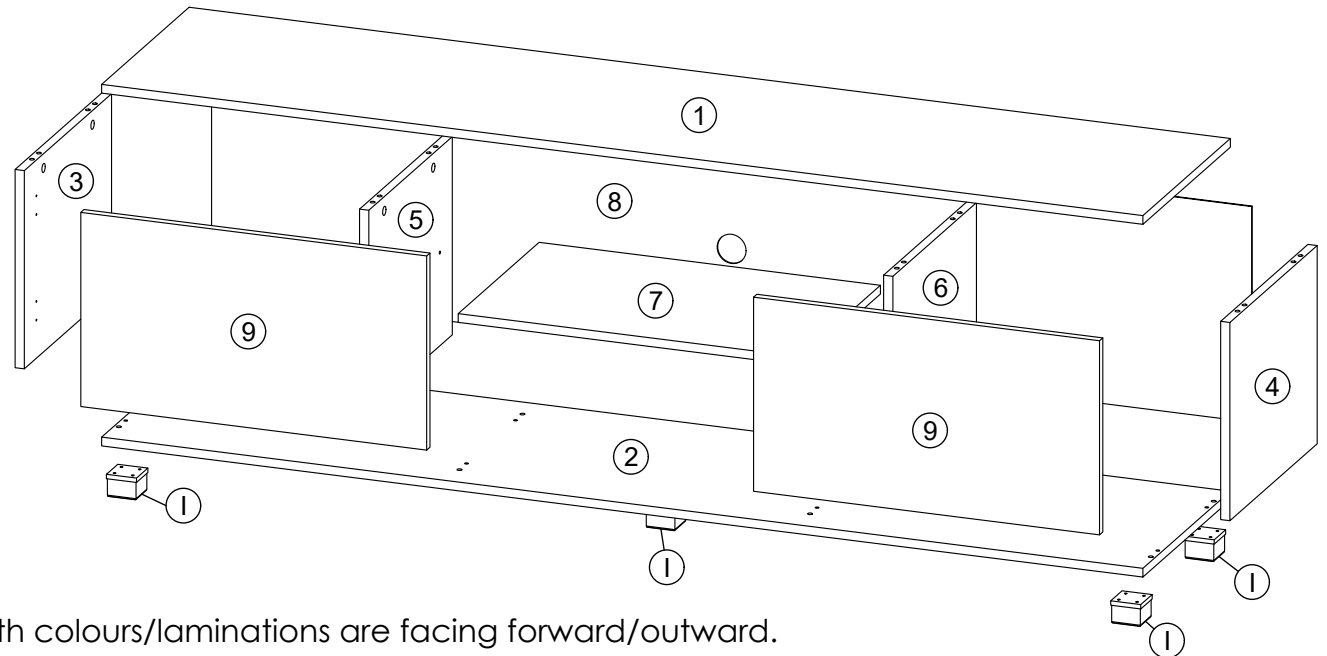
Read instruction carefully . See Furniture Parts list and Hardware List for guidance . Be sure you have all parts before you start assembling . Place and assemble furniture on a clean flat soft surface , such as carpet or rug to prevent being scratched .

PART LIST		QTY
1	TOP PANEL	1 PC
2	BOTTOM PANEL	1 PC
3	SIDE PANEL (L)	1 PC
4	SIDE PANEL (R)	1 PC
5	CENTER PANEL (L)	1 PC
6	CENTER PANEL (R)	1 PC
7	SHELF PANEL	1 PC
8	BACK PANEL	1 PC
9	DOOR PANEL (L/R)	2 PCS

HARDWARE			
A	MINI FIX	A1  A2  A3 	8 SETS
B	M8 X 30MM WOOD DOWEL		16 PCS
C	M6 X 50MM CSK CAP WOOD SCREW		8 PCS
D	ALLEN KEY M4		1 PC
E	M3.5 X 16MM C.B SCREW		36 PCS
F	5/8 NAIL		28 PCS
G	METAL SHELF SUPPORT		4 PCS
H	7/8 HINGES		4 PCS
I	PVC SQUARE LEG 5038		5 PCS



SELF-PREPARED TOOLS: Tools below are NOT included in package.	
 SCREWDRIVER	 HAMMER



Reminder:

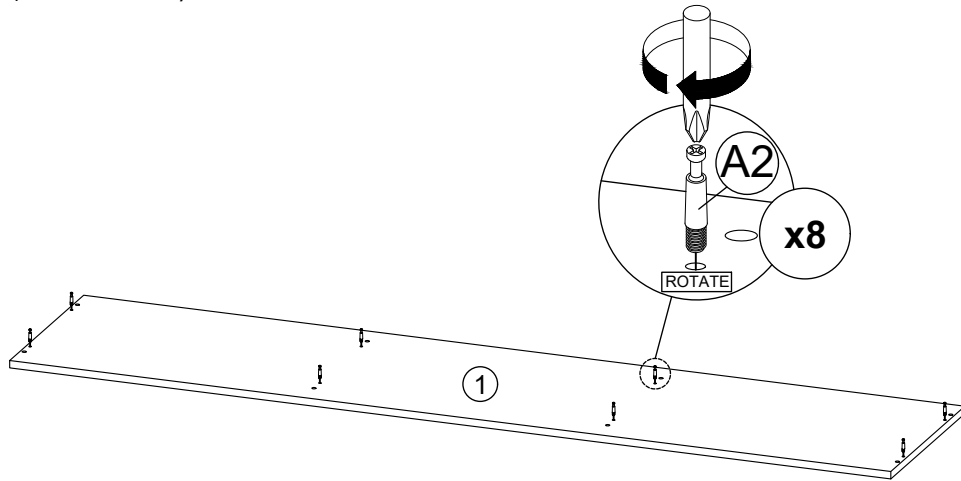
Please ensure that all surfaces and edges with colours/laminations are facing forward/outward.

ASSEMBLY INSTRUCTIONS

MODEL : UH 6007

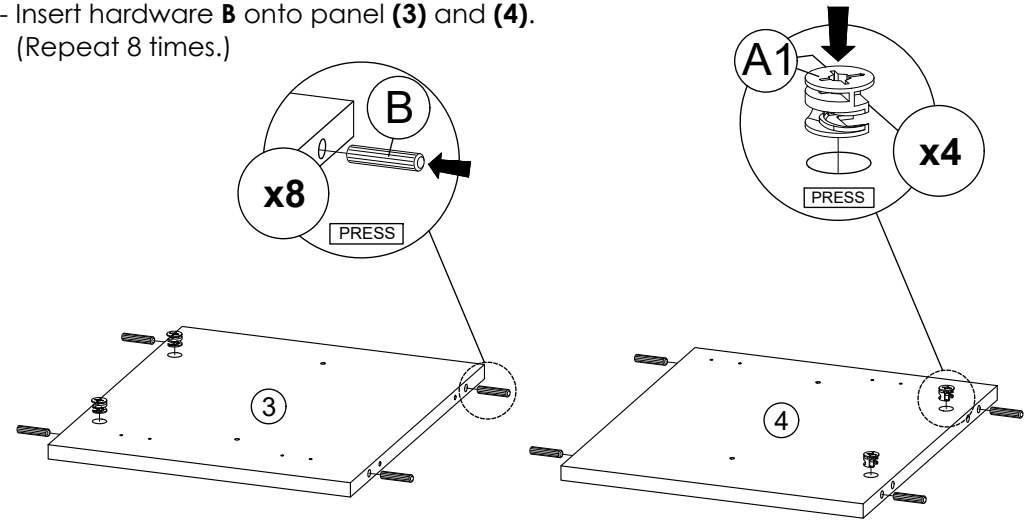
STEP 1

Insert hardware **A2** onto panel **(1)**.
(Repeat 8 times.)



STEP 2

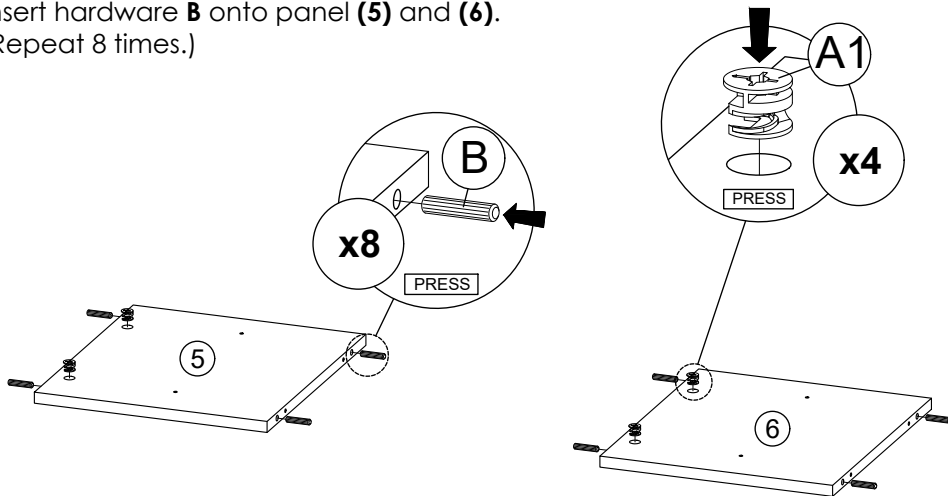
- Insert hardware **A1** onto panel **(3)** and **(4)**.
(Repeat 4 times.)
- Insert hardware **B** onto panel **(3)** and **(4)**.
(Repeat 8 times.)



* Ensure the arrows on hardware **A1** point towards mounting positions.

STEP 3

- Insert hardware **A1** onto panel **(5)** and **(6)**.
(Repeat 4 times.)
- Insert hardware **B** onto panel **(5)** and **(6)**.
(Repeat 8 times.)



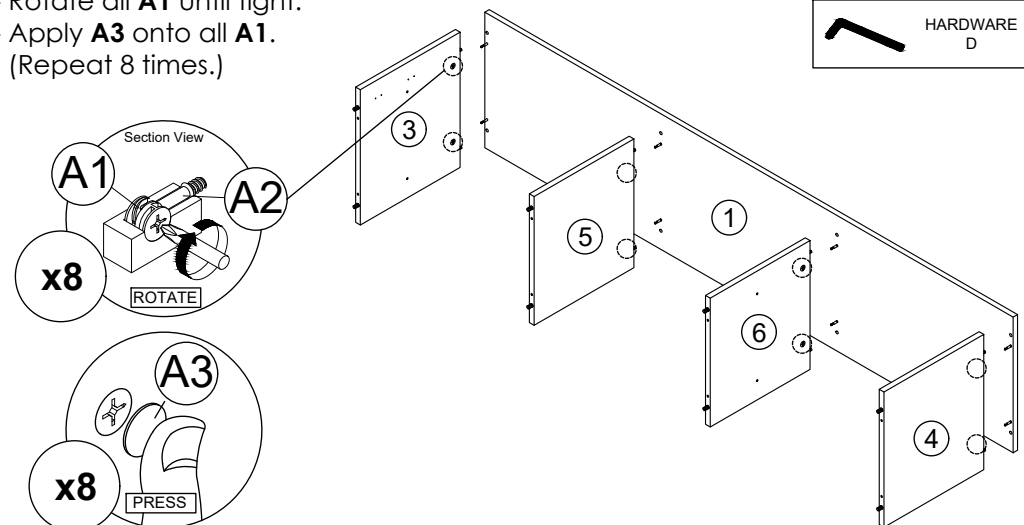
* Ensure the arrows on hardware **A1** point towards mounting positions.

STEP 4

- Attach panel **(3)**, **(4)**, **(5)** and **(6)** to panel **(1)**.
- Insert all hardware **A2** into **A1**.
- Rotate all **A1** until tight.
- Apply **A3** onto all **A1**.
(Repeat 8 times.)



OR



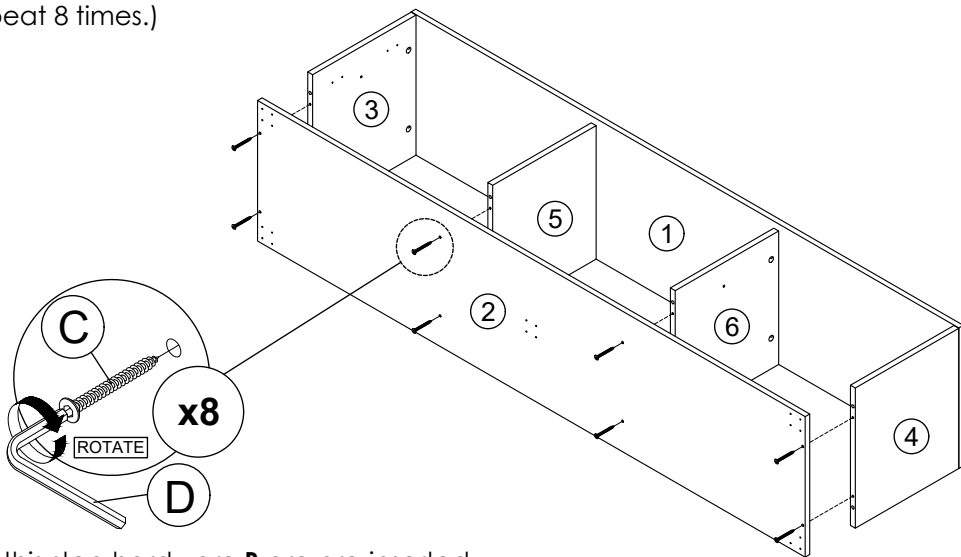
ASSEMBLY INSTRUCTIONS

PAGE: 3/4

MODEL : UH 6007

STEP 5

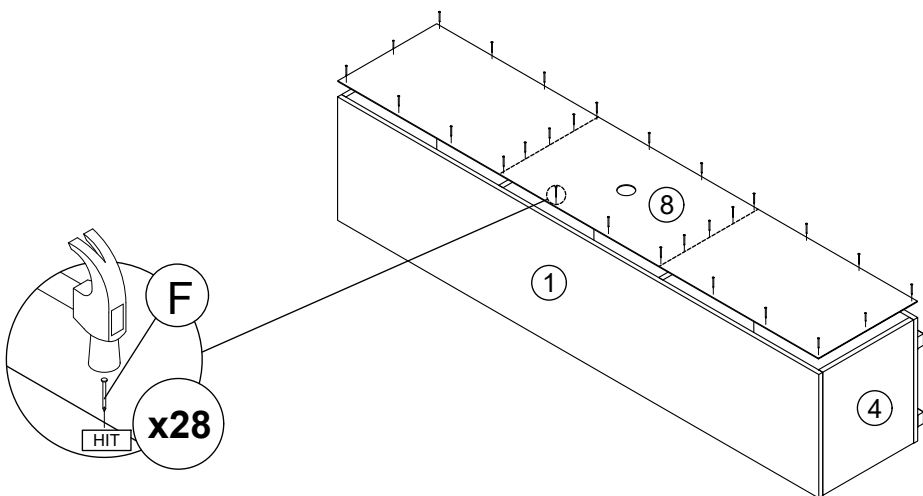
Connect panel (2) to panel (3), (4), (5) and (6) by using hardware C and D.
(Repeat 8 times.)



* In this step hardware B are pre-inserted.

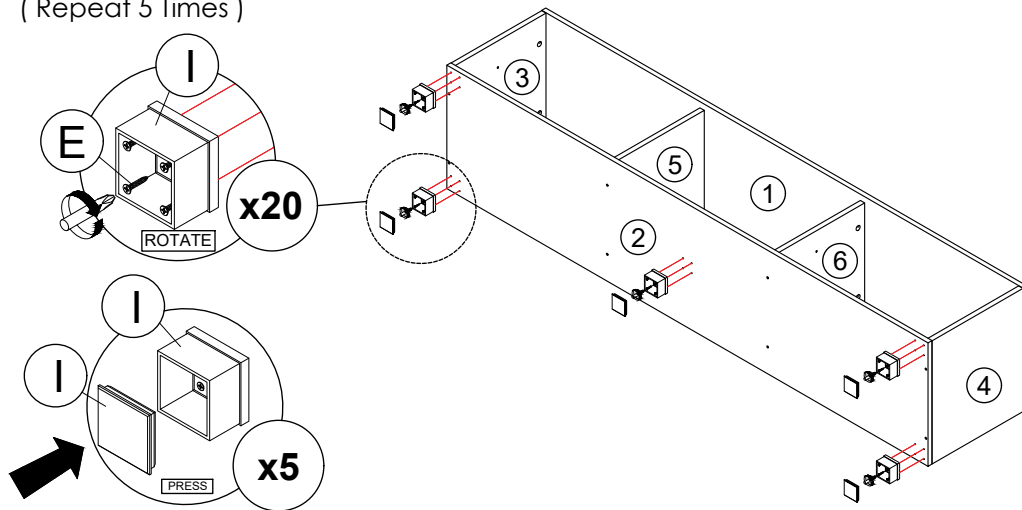
STEP 7

Assemble panel (8) to entire body with hardware F.
(Repeat 28 times.)



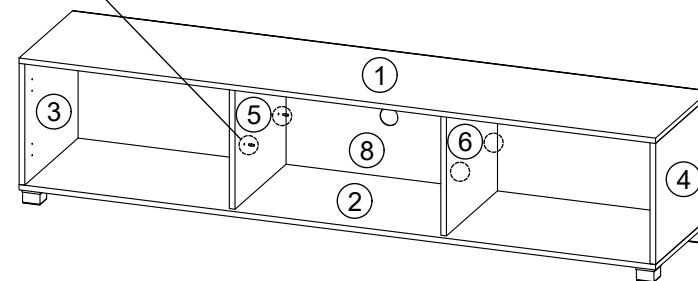
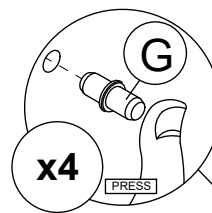
STEP 6

- Fix hardware I into panel (2) with hardware E.
(Repeat 4 times for each hardware.)
- Cover back the hardware I.
(Repeat 5 Times)



STEP 8

Insert hardware G into mounting positions on panel (5) and (6) by hand.
(Repeat 4 times.)



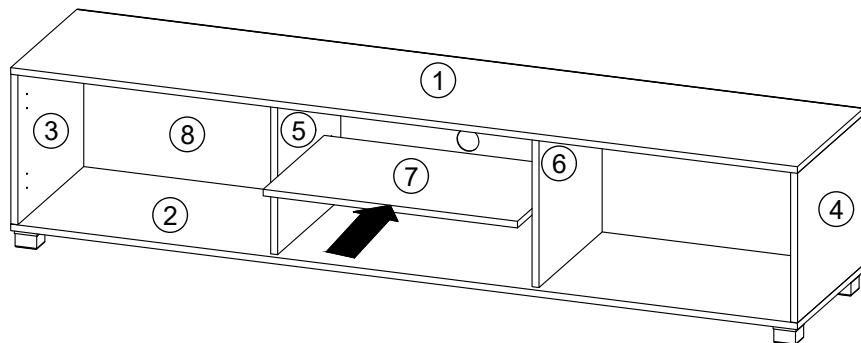
ASSEMBLY INSTRUCTIONS

PAGE: 4/4

MODEL : UH 6007

STEP 9

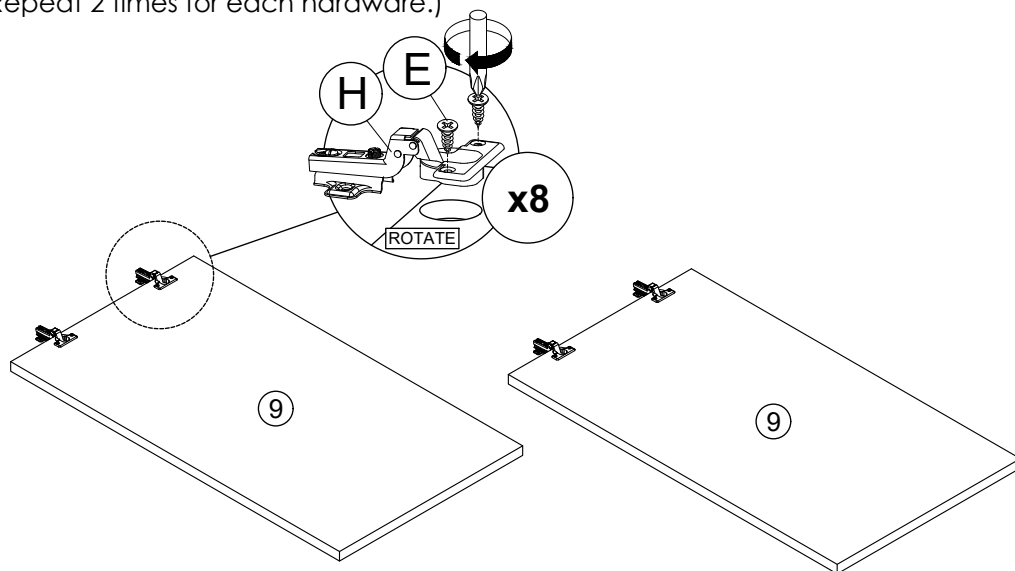
Assemble the panel (7) into between panel (5) and (6).
(Repeat 1 times.)



* In this step hardware **G** are pre-inserted.

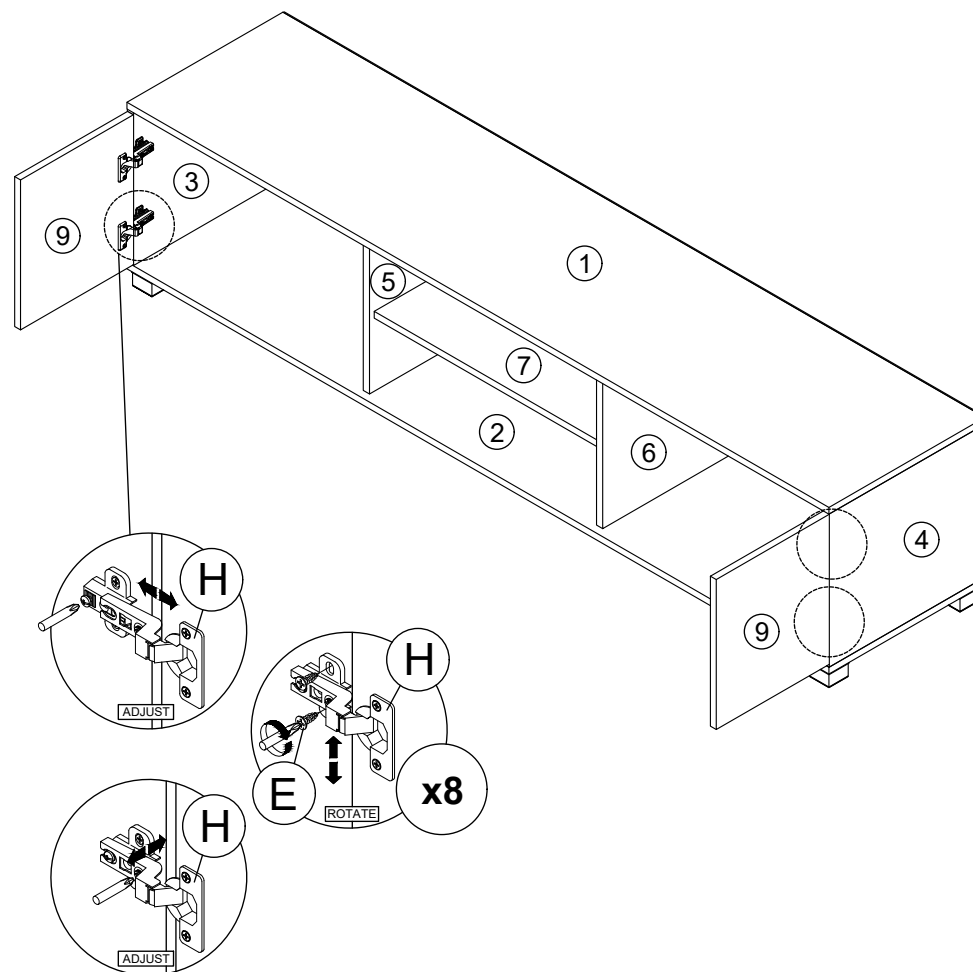
STEP 10

Fix hardware **H** onto panel (9) by using hardware **E**.
(Repeat 2 times for each hardware.)



STEP 11

- Fix hardware **H** into panel (3) and (4) by using hardware **E**.
(Repeat 2 times for each hardware.)
- Tighten or loosen the screw to adjust position of panel (9).
(Do only when needed.)



* In this step hardware **H** have been assembled in panel (9).