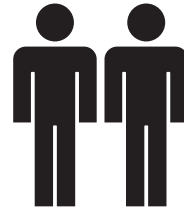


Kitchen Trolley with Rubberwood Top

1.0hr

APPROXIMATE ASSEMBLY TIME

2 PERSON ASSEMBLY

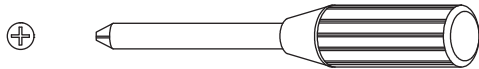


FLOOR AREA
1M x 2M

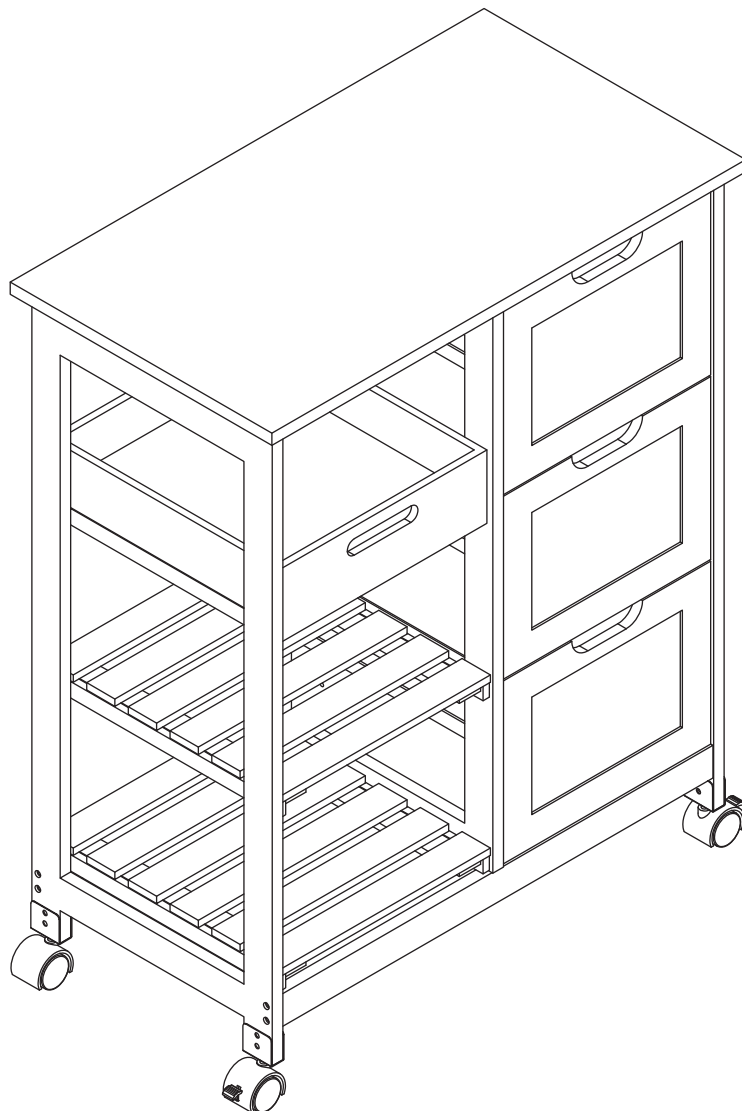


REQUIRED ASSEMBLY SPACE

REQUIRED ASSEMBLY TOOLS



PHILLIPS SCREWDRIVER



Kitchen Trolley with Rubberwood Top

Tips before you start:

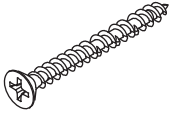
1. Please check that all parts are present before you start the assembly of your furniture.
2. For ease and speed of assembly, we recommend that before you commence each step of the assembly, that you identify all the parts required for that step.
3. For larger items, please ensure that you have sufficient space and people (as indicated on page 1) to assemble your product safely.
4. We recommend that, where possible, all items are assembled near to the area in which they will be placed in use, to avoid moving the product unnecessarily once assembled.
5. For the protection of your furniture, we recommend that the product is placed on a protected surface during assembly to prevent any damage.
6. During assembly please take care not to over-tighten any fittings, as this may damage the product. Do not use power tools.
7. Always place the product on a flat, steady and stable surface.
8. Do not stand on the product. Do not use the product as a stepladder.
9. This product is intended for indoor, household use only as it is a non-industrial product.
10. Please use caution and care when lifting the product to avoid personal injury and/or product damage.

Care and Maintenance of your Furniture

- Please periodically check all fittings and re-tighten as necessary.
- To clean your item, please use a damp cloth and wipe clean.
- To clean glass, please use glass cleaner.
- Never allow any kind of liquid to remain on your furniture. Absorption can cause wood to warp or finishes to de-laminate.
- Please do not place hot items (eg. hot drinks) directly on to the surface.
- Please do not drag and pull your furniture.

Kitchen Trolley with Rubberwood Top

HARDWARE LIST



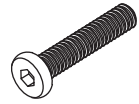
14 x A
Screw



4 x B
Screw



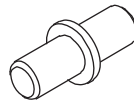
36 x C
Screw



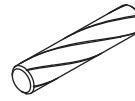
4 x D
Bolt



4 x E
Nut



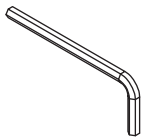
6 x F
Shelf Support



6 x G
Wooden
Dowel



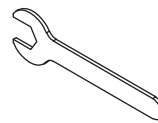
2 x H
Castor
Wheel



1 x I
Allen Key



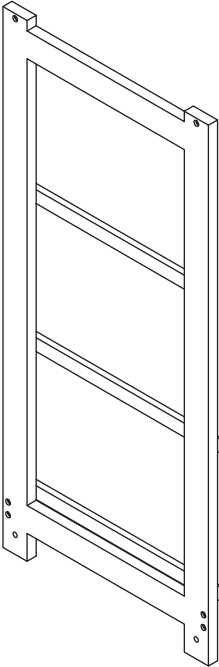
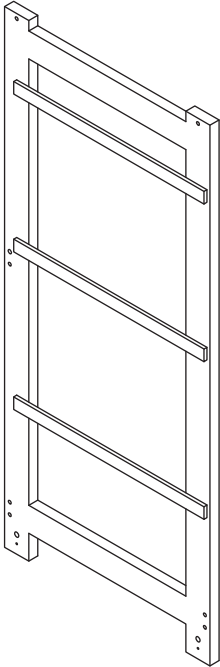
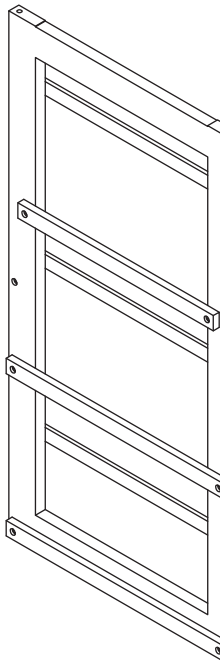
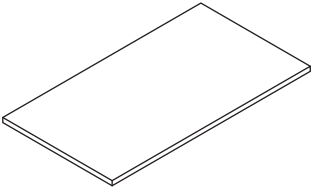
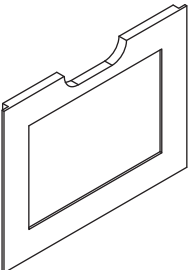
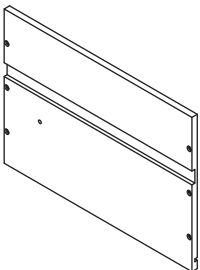
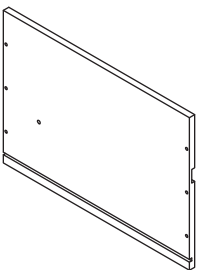
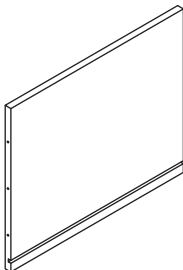
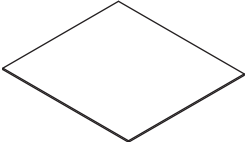
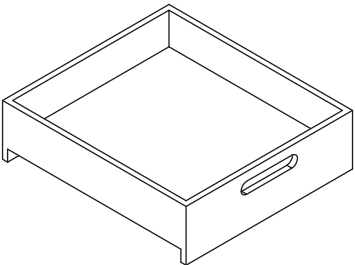
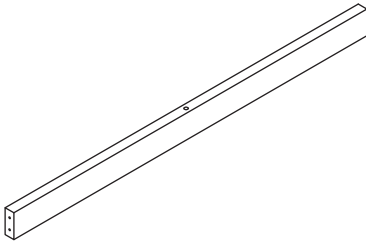
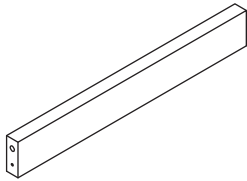
2 x J
Castor
Wheel with Lock



1 x K
Spanner

Kitchen Trolley with Rubberwood Top

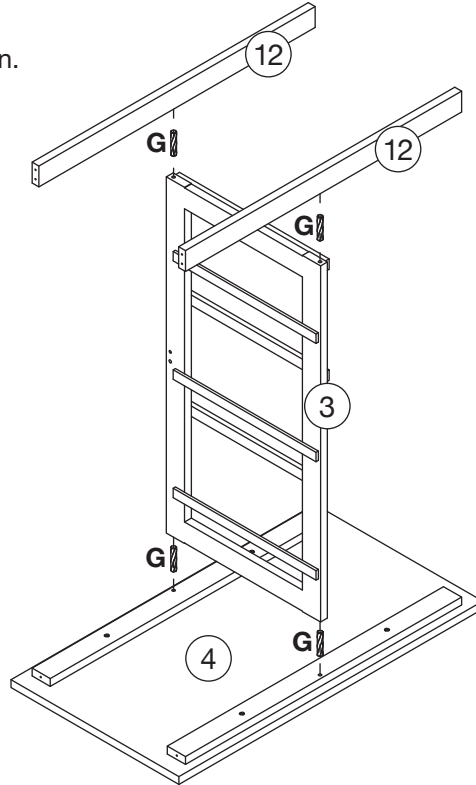
PARTS LIST

| | | | | | | | | | |
|---|------|---|---|---|------|---|------|---|------|
|  | |  | |  | |  | | | |
| 1 | 1 PC | 2 | 1 PC | 3 | 1 PC | 4 | 1 PC | | |
|  | |  | |  | |  | |  | |
| 6 | 1 PC | 7 | 1 PC | 8 | 1 PC | 9 | 1 PC | 10 | 1 PC |
|  | | |  | | |  | | | |
| 11 | 1 PC | 12 | 1 PC | 13 | 1 PC | | | | |

Kitchen Trolley with Rubberwood Top

STEP 1

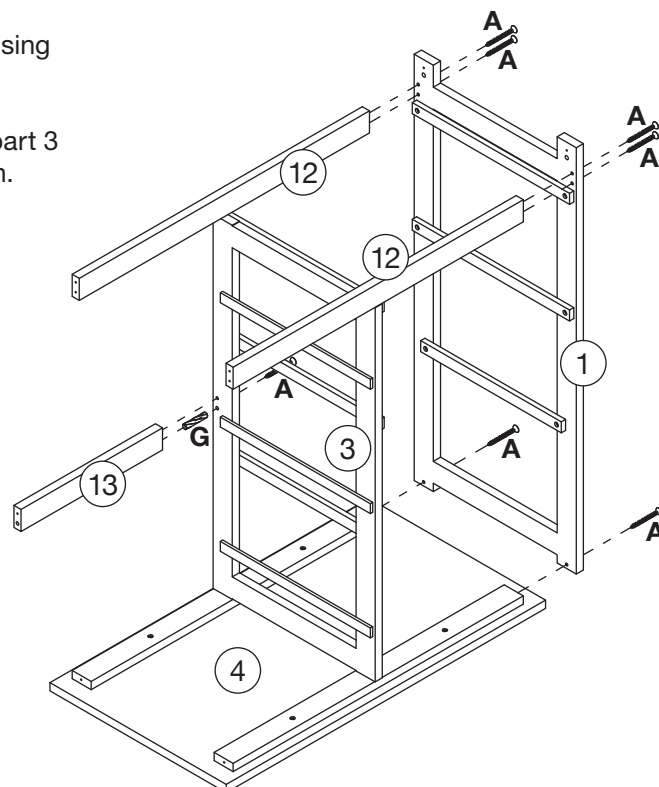
Insert wooden dowels (G) to part 3 and attach parts 4 and 12, as shown.



STEP 2

Fix parts 4 and 12 to part 1 using screws (A), as shown.

Insert wooden dowel (G) to part 3 and attach part 13, as shown.



Kitchen Trolley with Rubberwood Top

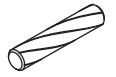
STEP 3

Insert wooden dowel (G) to part 13.

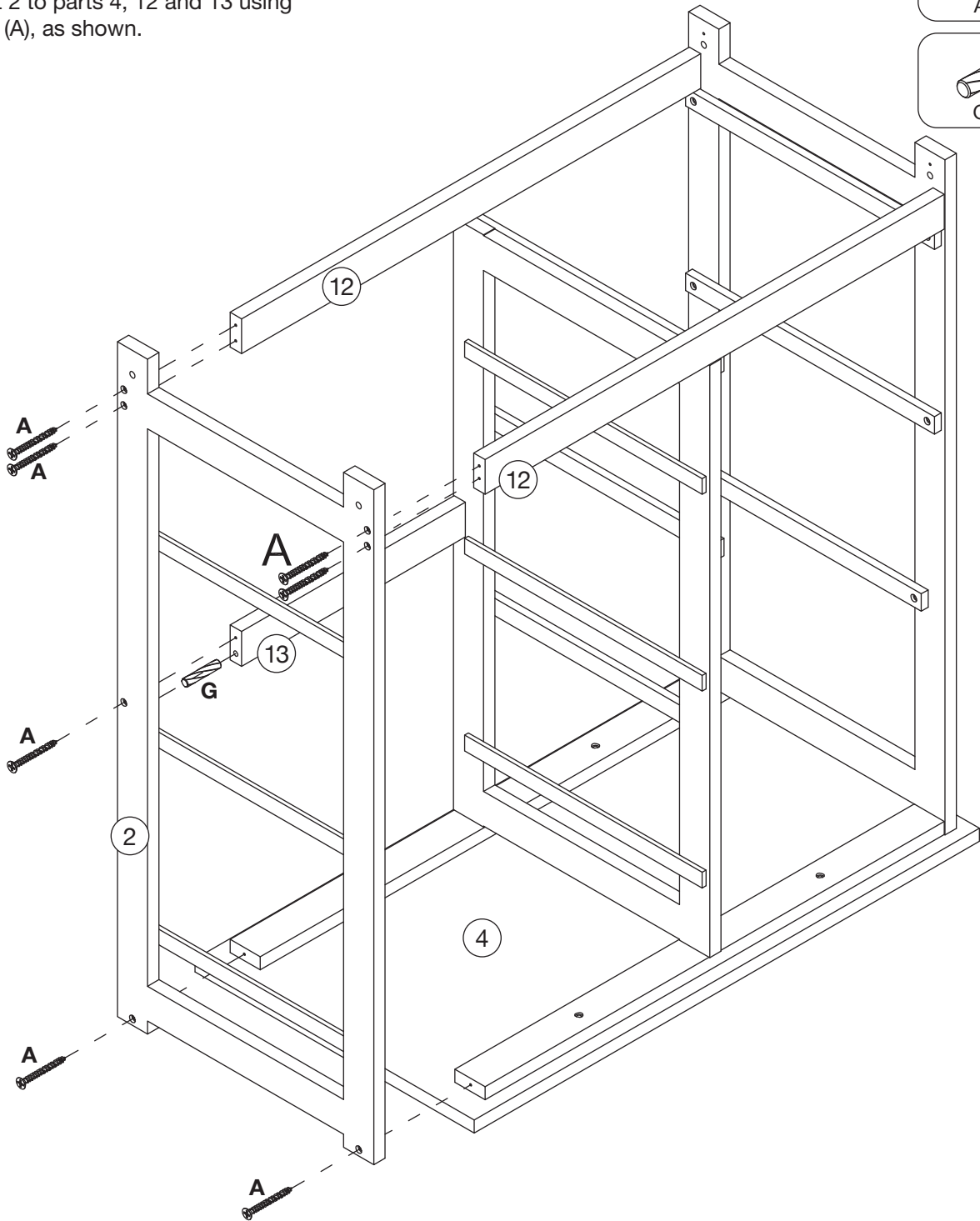
Fix part 2 to parts 4, 12 and 13 using screws (A), as shown.



A x 7



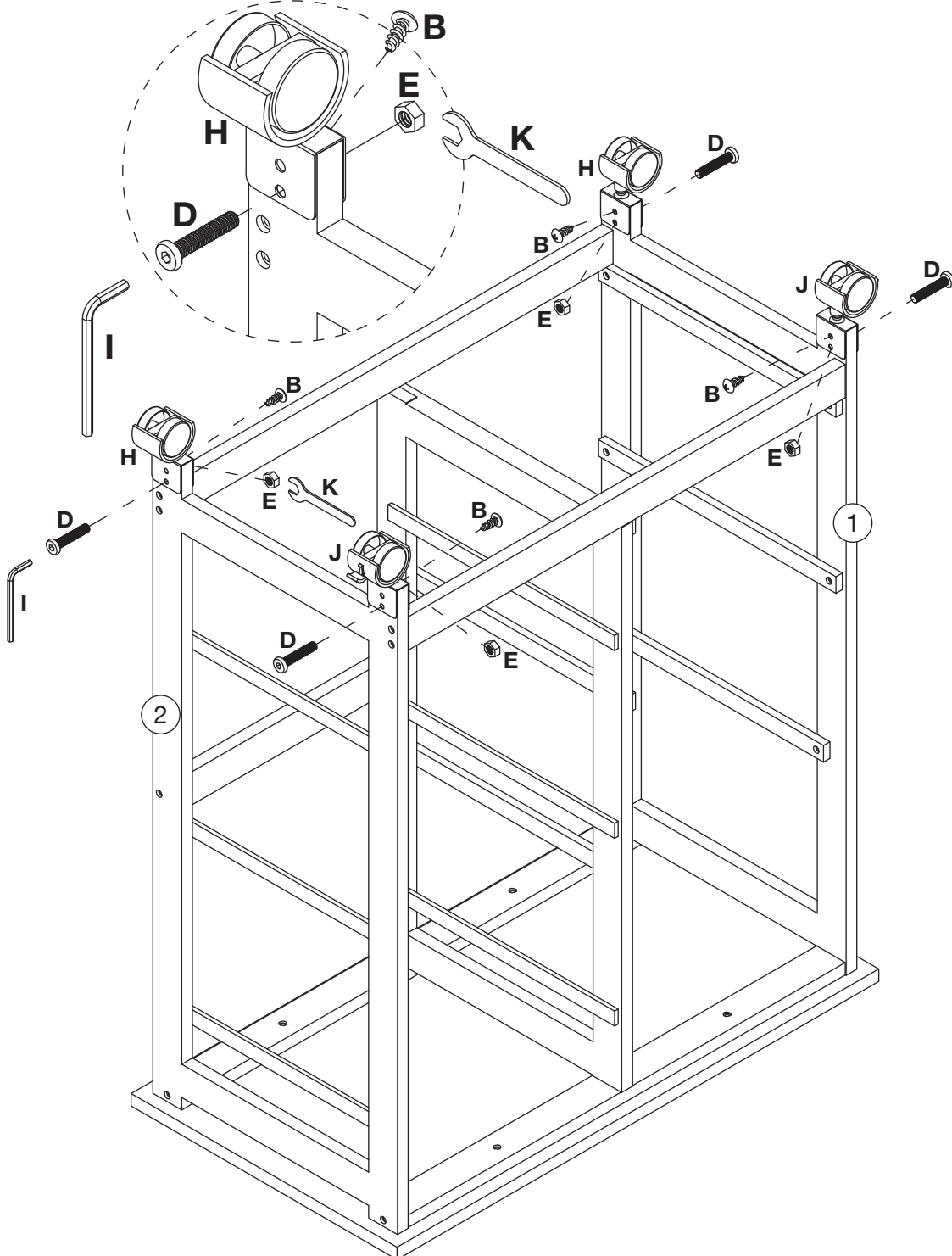
G x 1



Kitchen Trolley with Rubberwood Top

STEP 4

Fix castor wheels (H) and (J) using screws (B) on the inside part and bolts (D), nuts (E), allen key (I) and spanner, as shown.



B x 4



D x 4



E x 4



H x 2



I x 1



J x 2

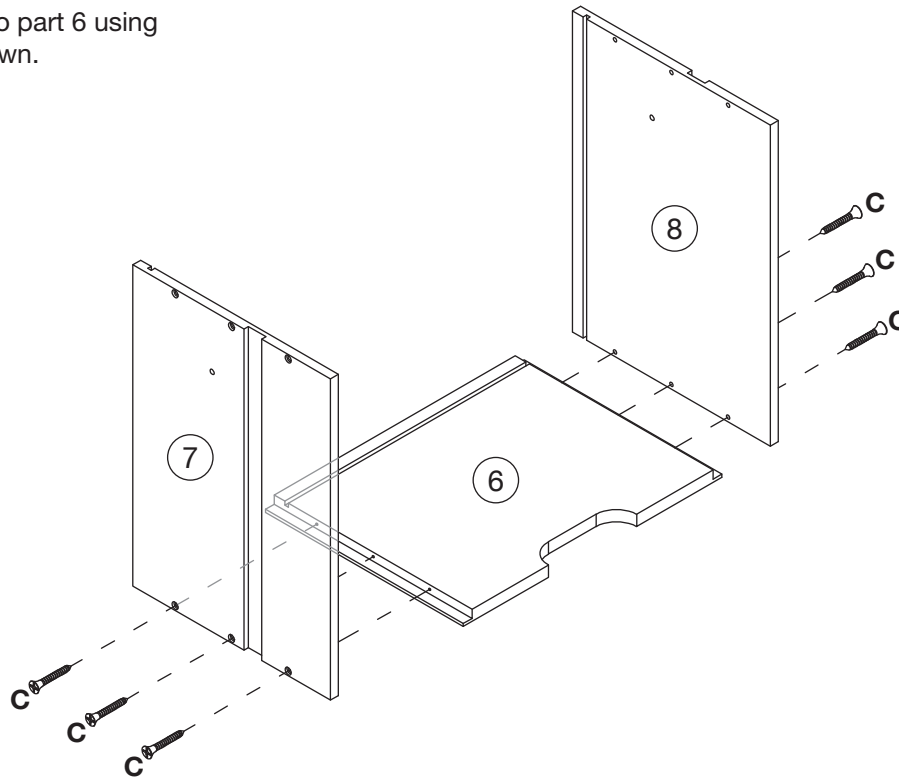


K x 1

Kitchen Trolley with Rubberwood Top

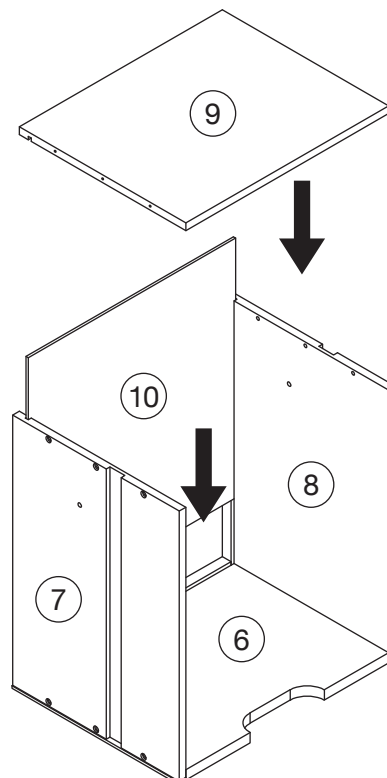
STEP 5

Fix parts 7 and 8 to part 6 using screws (C), as shown.



STEP 6

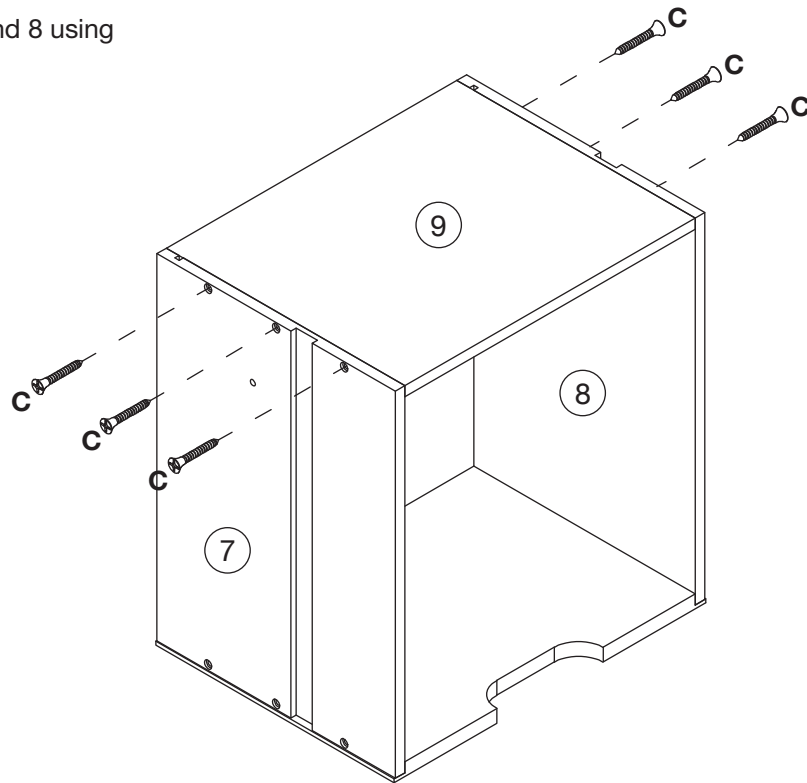
Slide part 10 into available slots of parts 6, 7 and 8 and fit part 9, as shown.



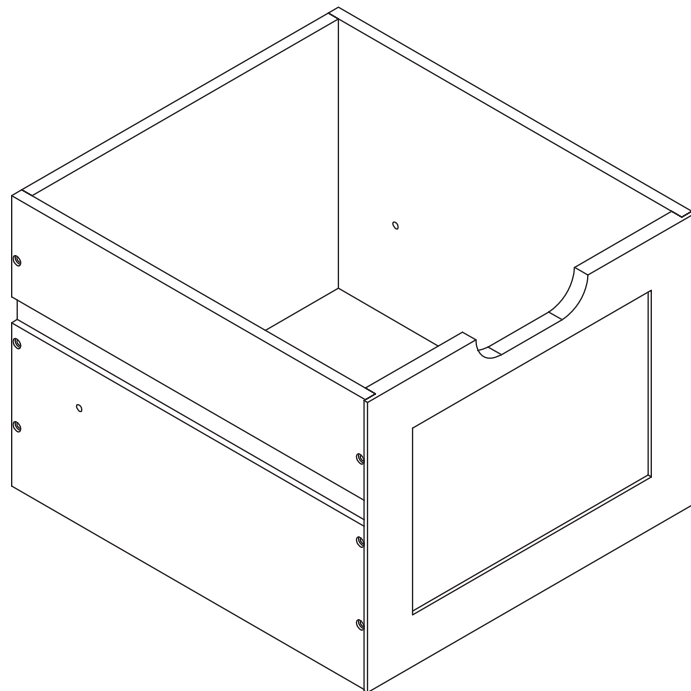
Kitchen Trolley with Rubberwood Top

STEP 7

Fix part 9 to parts 7 and 8 using screws (C), as shown.



STEP 8

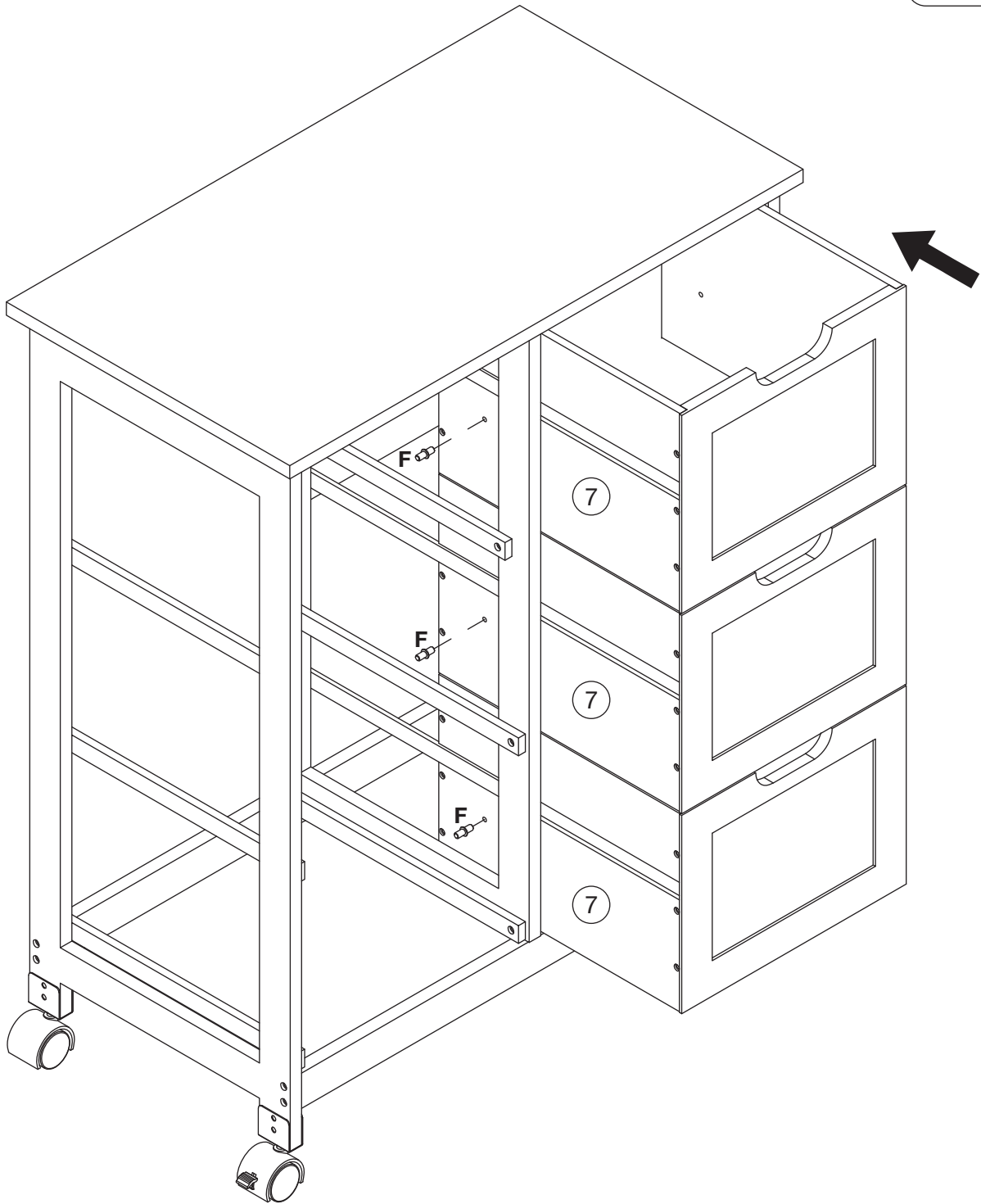
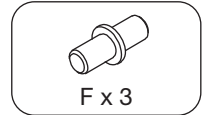


Repeat steps 5 - 8 for remaining 3 drawers.

Kitchen Trolley with Rubberwood Top

STEP 9

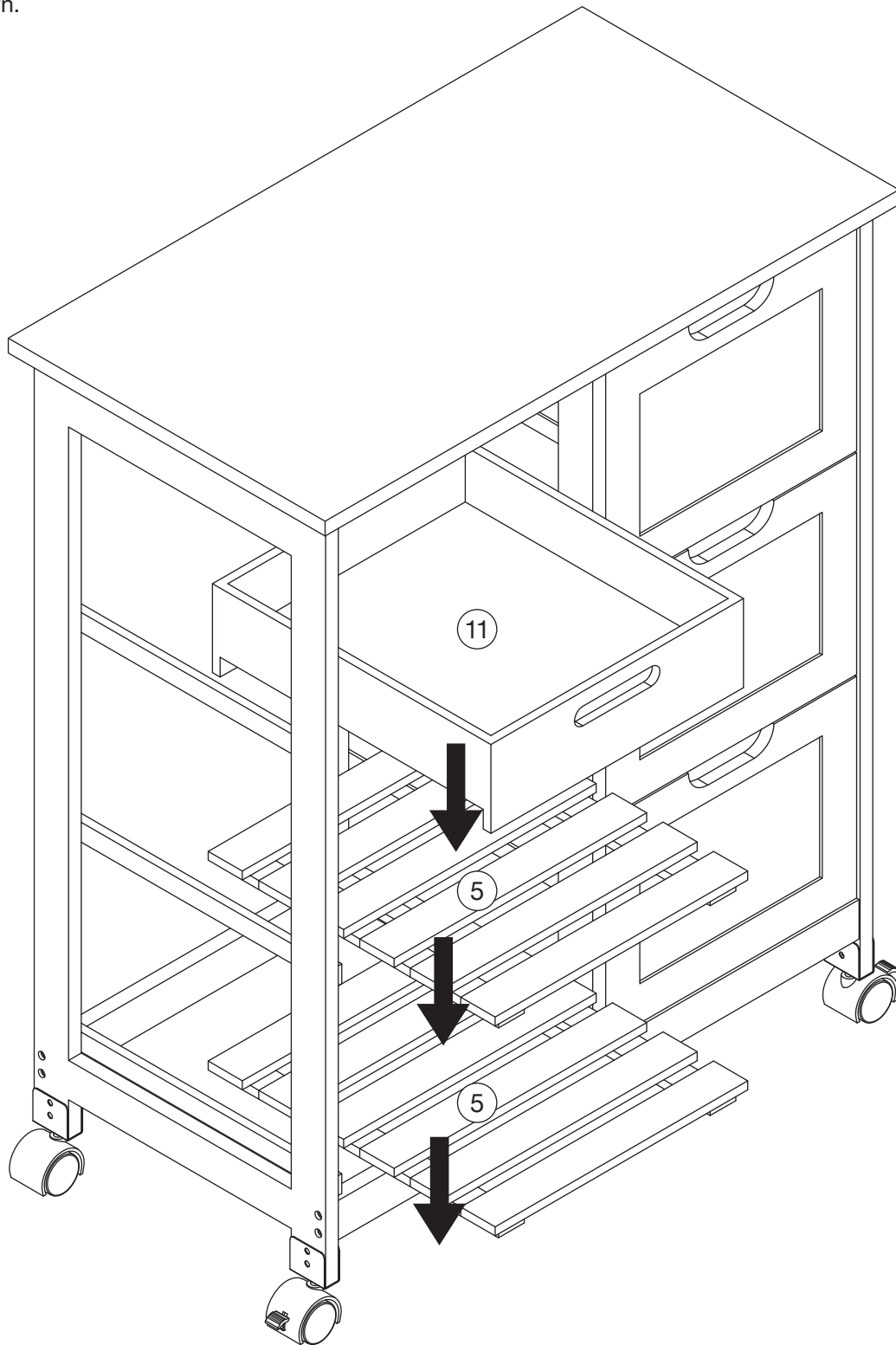
Insert shelf supports (F) to parts 7, as shown.



Kitchen Trolley with Rubberwood Top

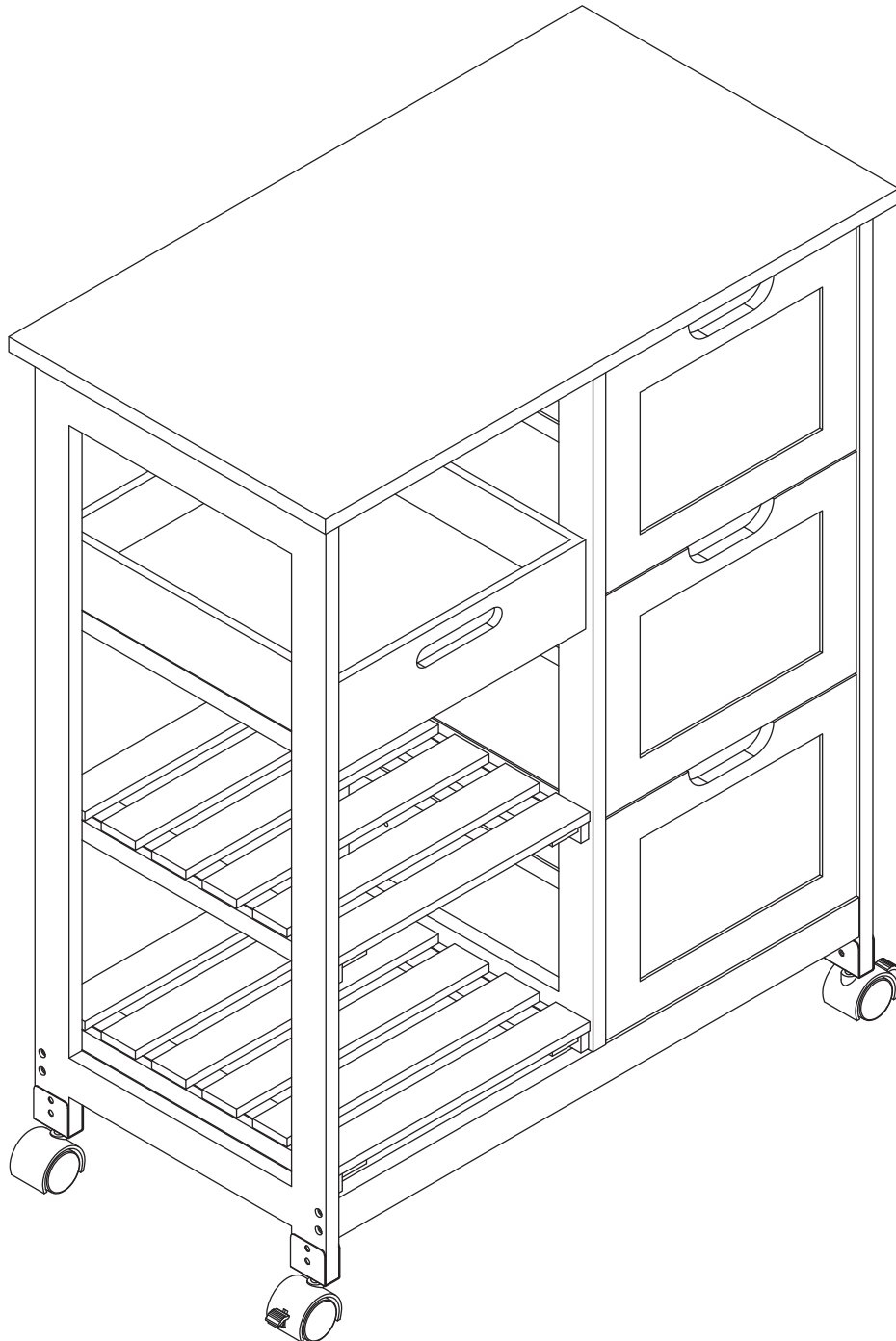
STEP 10

Place parts 5 and 11 into assembled unit, as shown.



Kitchen Trolley with Rubberwood Top

STEP 11



Please note: the maximum recommended weight for each drawer is 3kg, 5kg for each shelf and 5kg for open shelf.

Your kitchen trolley with rubberwood top is ready for use.