

Bedside Cabinet With 1 Drawer

1hr

APPROXIMATE ASSEMBLY TIME

1 PERSON ASSEMBLY

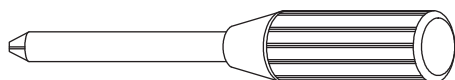


FLOOR AREA
1M x 1M

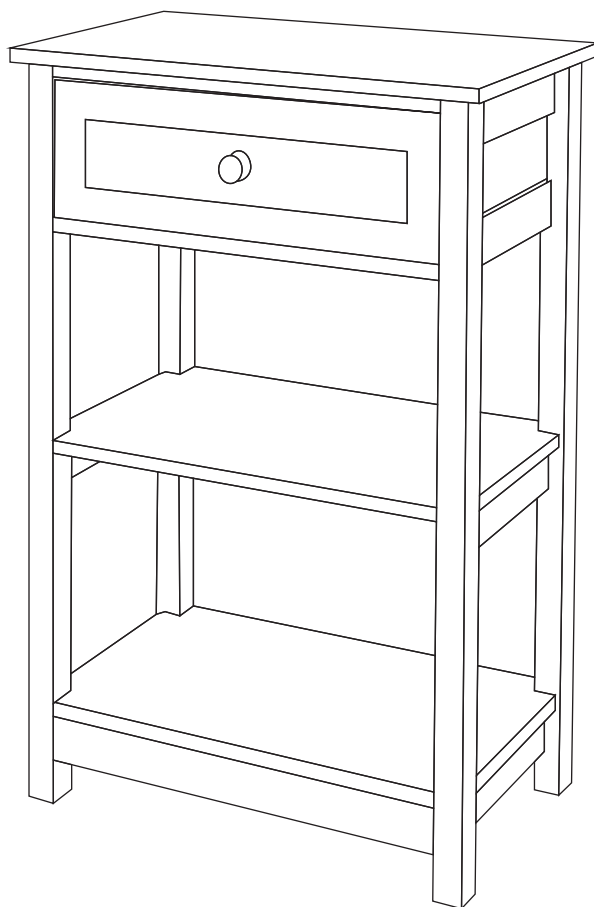


REQUIRED ASSEMBLY SPACE

REQUIRED ASSEMBLY TOOLS



PHILLIPS SCREWDRIVER



Bedside Cabinet With 1 Drawer

Tips before you start:

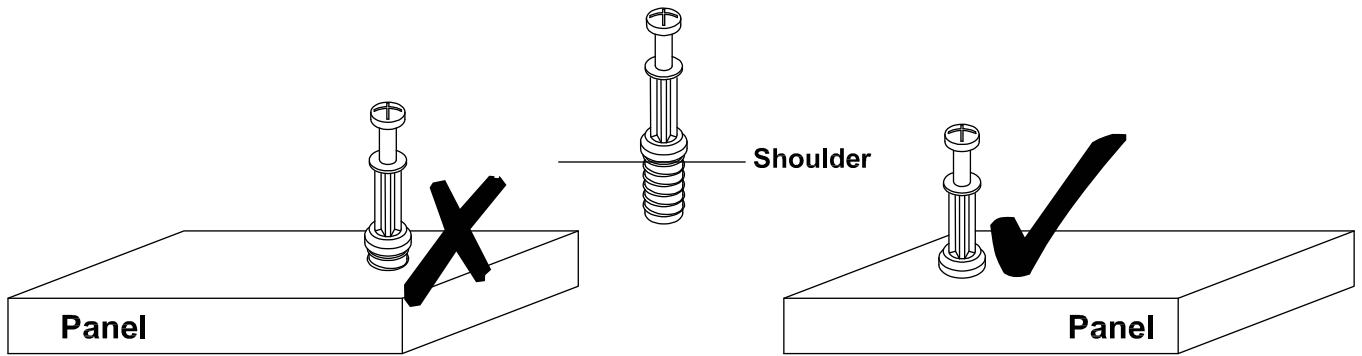
1. Please check that all parts are present before you start the assembly of your furniture.
2. For ease and speed of assembly, we recommend that before you commence each step of the assembly, that you identify all the parts required for that step.
3. For larger items, please ensure that you have sufficient space and people (as indicated on page 1) to assemble your product safely.
4. We recommend that, where possible, all items are assembled near to the area in which they will be placed in use, to avoid moving the product unnecessarily once assembled.
5. For the protection of your furniture, we recommend that the product is placed on a protected surface during assembly to prevent any damage.
6. During assembly please take care not to over-tighten any fittings, as this may damage the product.
7. Always place the product on a flat, steady and stable surface.
8. Do not stand on the product. Do not use the product as a stepladder.
9. This product is intended for indoor, household use only as it is a non-industrial product.
10. Please use caution and care when lifting the product to avoid personal injury and/or product damage.

Care and Maintenance of your Furniture

- Please periodically check all fittings and re-tighten as necessary.
- To clean your item, please use a damp cloth and wipe clean.
- Never allow any kind of liquid to remain on your furniture. Absorption can cause wood to warp or finishes to de-laminate.
- Please do not place hot items (eg. hot drinks) directly on to the surface.
- Please do not drag and pull your furniture.

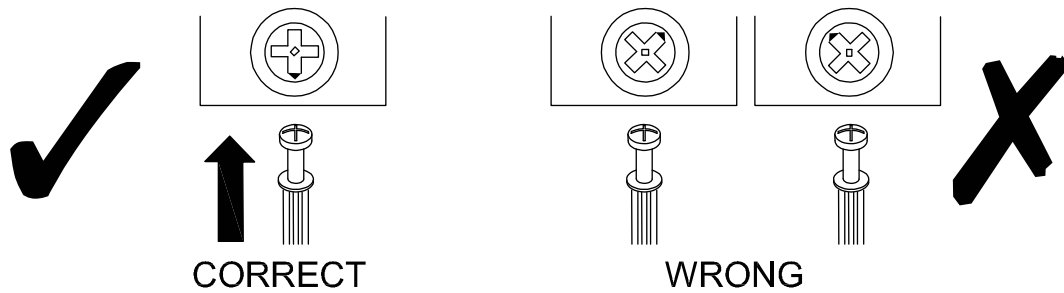
Bedside Cabinet With 1 Drawer

QUICKFIT



Tighten quickfit until shoulder is flush with panel. Do not overtighten or undertighten.

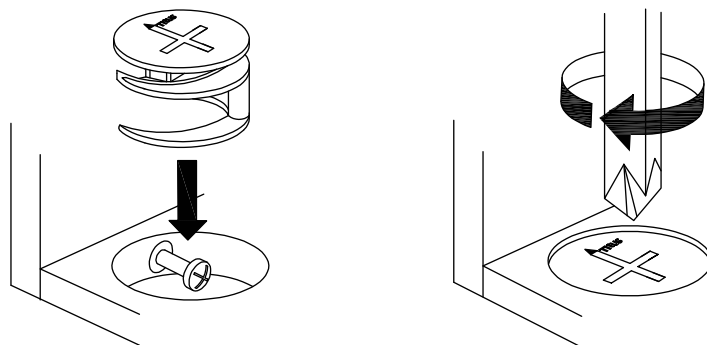
CAM LOCK



When fitting cam lock, ensure starting position is correct before you insert connecting quickfit.

Quickfit head should be in the centre of the cam lock when the two panels are joined.

Cam lock should be inserted before quickfit.



Turn cam lock clockwise to tighten.

Bedside Cabinet With 1 Drawer

HARDWARE LIST



16 x A
Quickfit
Screw



16 x B
Wooden
Dowel



4 x C
Screw
4 x 30mm



4 x D
Screw
4 x 20mm



1 x E
Bolt
4 x 16mm



12 x F
Screw
3x12mm



16 x G
Cam Lock



4 x H
Feet



1 x I
Inner Drawer
Runner



1 x J
Inner Drawer
Runner



1 x K
Outer Drawer
Runner



1 x L
Outer Drawer
Runner



1 x M
Handle



4 x N
Wedge



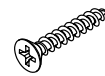
1 x O
Wall Strap



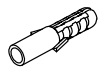
1 x P
Washer



1 x R
Screw
4 x 12mm



1 x S
Screw
4 x 40mm



1 x T
Wall Plug

PARTS LIST

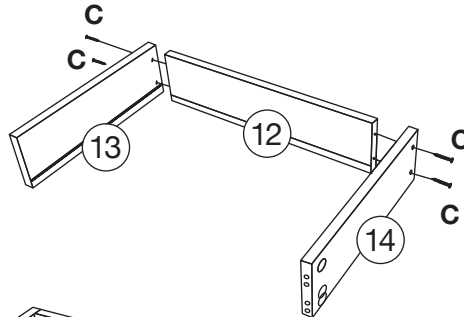
1	2	3	4
1 PC	1 PC	1 PC	1 PC
5	6	7	8
1 PC	1 PC	1 PC	1 PC
9	10	11	12
1 PC	1 PC	1 PC	1 PC
13	14	15	16
1 PC	1 PC	2 PCS	1 PC

Bedside Cabinet With 1 Drawer

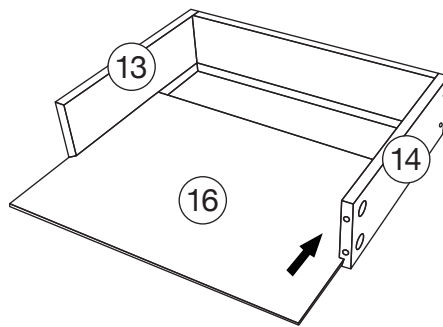
STEP 1

DRAWER

Fix panels 13 and 14 to panel 12 using screws (C).



Fit base panel 16 into grooves between panels 13 and 14.

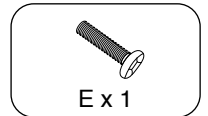
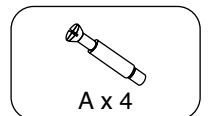
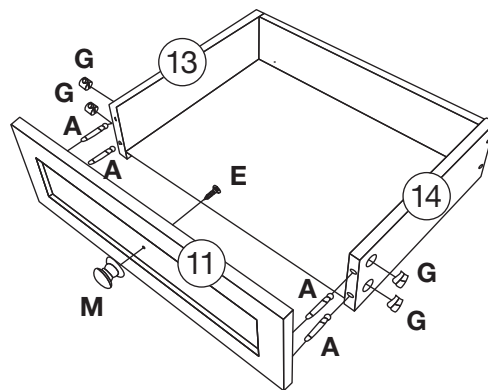


Insert cam locks (G) to panels 13 and 14.

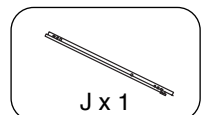
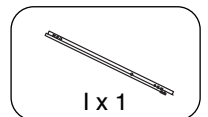
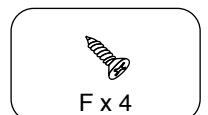
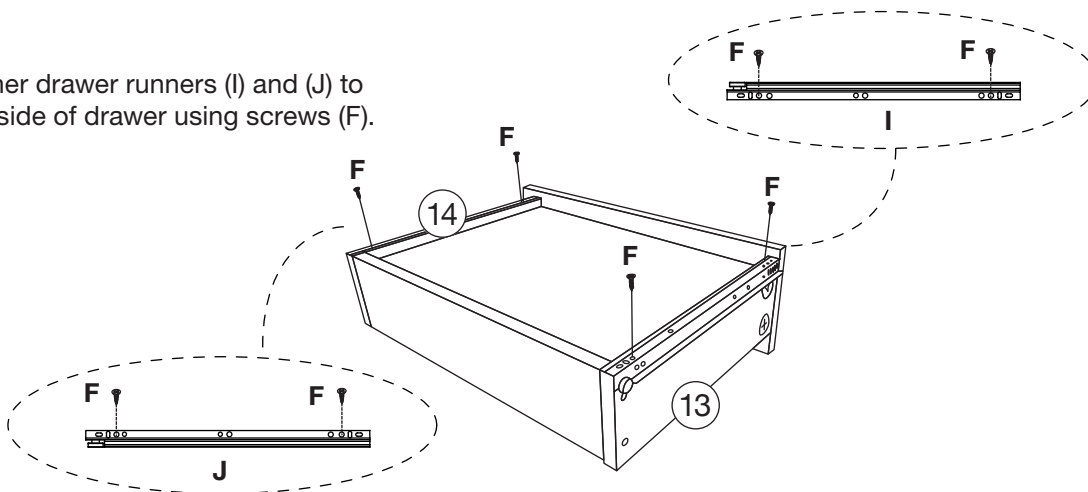
Fit quickfit screws (A) to front panel 11.

Fit front panel 11 to front of drawer and turn cam locks clockwise to tighten.

Fix handle (M) to front panel 11 using bolt (E).



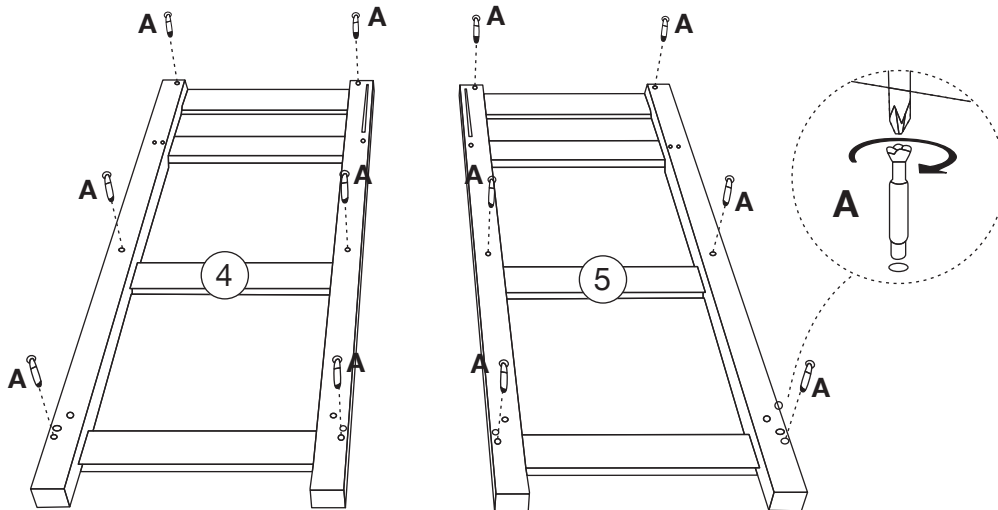
Fix inner drawer runners (I) and (J) to underside of drawer using screws (F).



Bedside Cabinet With 1 Drawer

STEP 2

Fix quickfit screws (A) to panels 4 and 5, as shown.



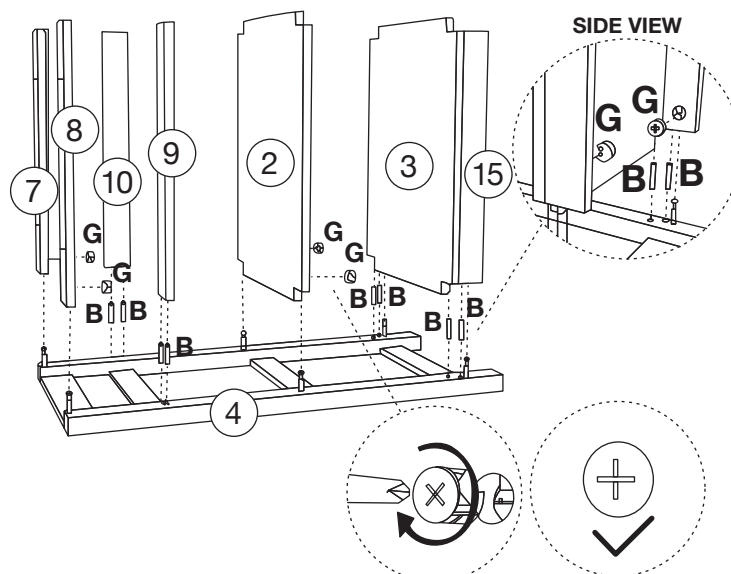
STEP 3

Insert cam locks (G) to panels 2, 7, 8 and 15.

Insert wooden dowels (B) to panel 4.

Fit panels 2, 3, 7, 8, 9, 10 and 15 to panel 4, as shown.

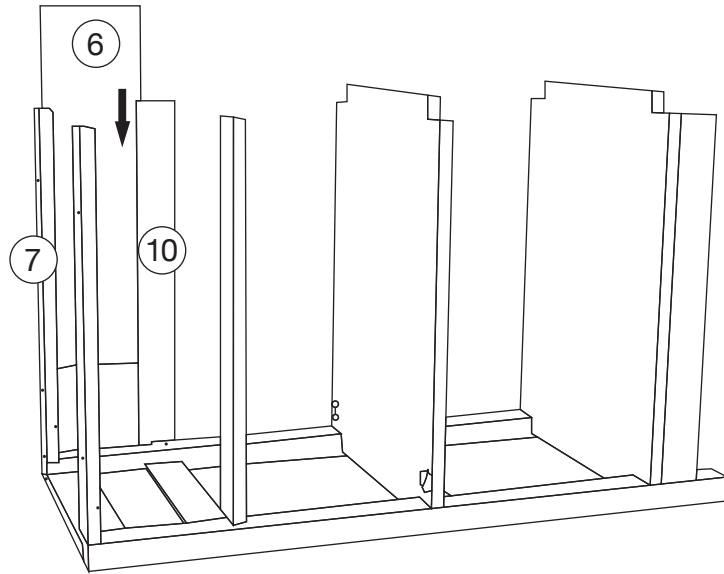
Turn cam locks clockwise to tighten.



Bedside Cabinet With 1 Drawer

STEP 4

Fit part 6 into the grooves between panels 7 and 10, as shown.



STEP 5

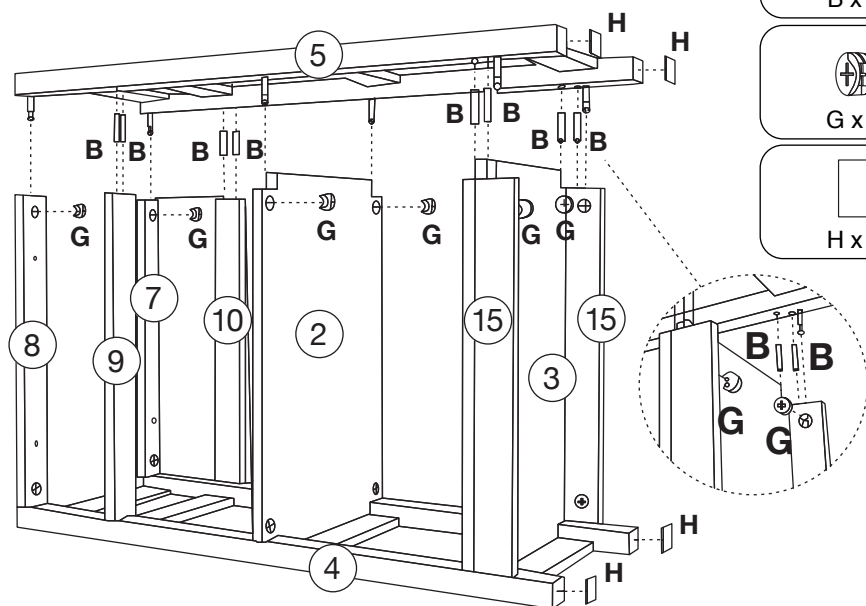
Insert cam locks (G) to the other ends of panels 2, 7, 8 and 15.

Insert wooden dowels (B) to panel 5.

Fit panel 5 onto the assembled unit, as shown.

Turn cam locks clockwise to tighten.

Fix feet (H) to parts 4 and 5.



B x 8



G x 6



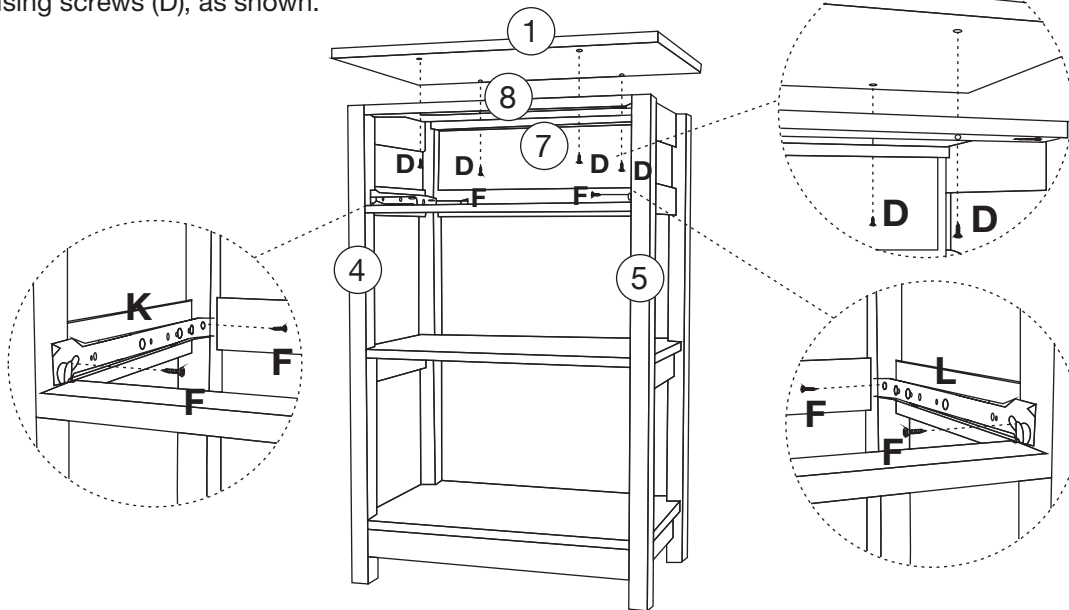
H x 4

Bedside Cabinet With 1 Drawer

STEP 6

Fix outer drawer runners (K) and (L) to panels 4 and 5 using screws (F), as shown.

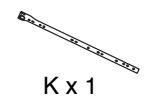
Fix panel 1 to panels 7 and 8 using screws (D), as shown.



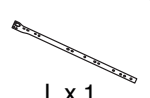
D x 4



F x 4



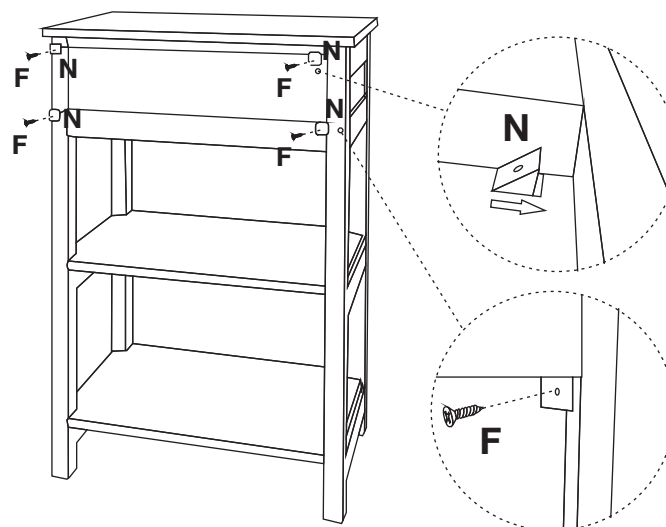
K x 1



L x 1

STEP 7

Fix wedges (N) to the back of the assembled unit using screws (F), as shown.



M x 1



F x 4

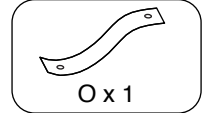
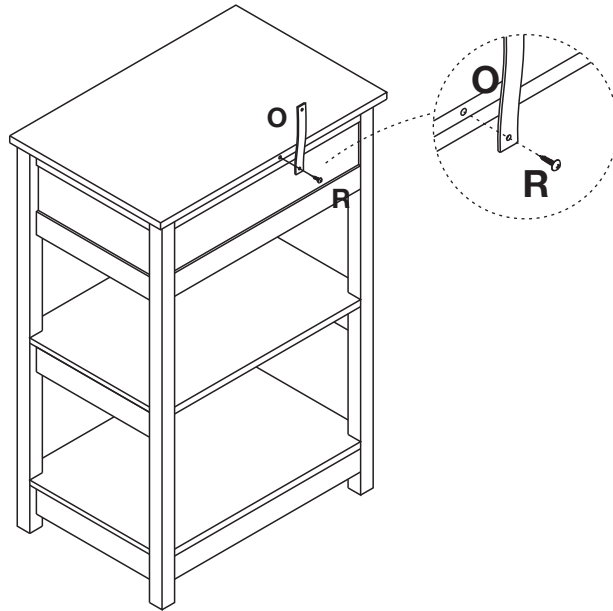


N x 4

Bedside Cabinet With 1 Drawer

STEP 8

Fix wall strap (O) to the back of the assembled unit using screw (R).



STEP 9

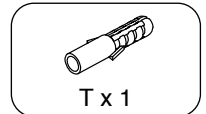
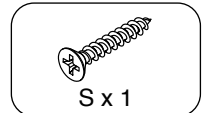
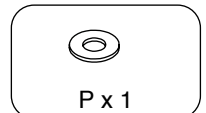
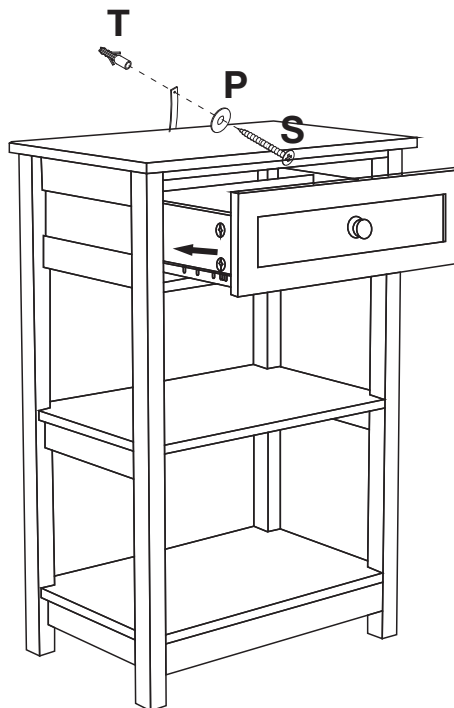
For extra stability, it is recommended that you fix your bedside table to the wall using the additional hardware (P, S and T), as shown. Should you choose not to affix the product to the wall, serious injury may be caused if the product tips over.

Please consider the wall mounting and fixing guide when securing your bedside table.

Slide the drawer into the assembled unit.

Maximum recommended weight is 10kg for top and 4kg for drawer.

Your bedside table is ready for use.



Bedside Cabinet With 1 Drawer

WALL FIXING GUIDE

NOTE: Supplied wall plugs are only suitable for use in masonry walls.

If you have any doubts about using the correct plug for your wall, please seek professional advice. Failure of the product due to using incorrect fixings is the responsibility of the installer.



IMPORTANT:

When drilling into walls, always check for hidden wires or pipes, etc.



Tips & Tricks

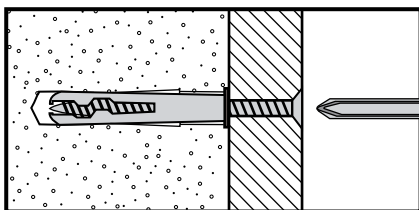
Make sure that the hardware used is suitable for supporting your unit.

Please consult a qualified tradesperson if unsure.

- ☑ If you are unsure, please select a larger screw and wall plug.
- ☑ Ensure that you use the recommended drill bit to match the wall plug and hole size.
- ☑ Take extra care when drilling high walls, ceiling and ceramic tiles. Ensure wall plugs are inserted beyond the thickness of the ceramic tiles to avoid splitting or cracking.
- ☑ Ensure that wall plugs are well fitted and are a tight fit in the drilled hole.

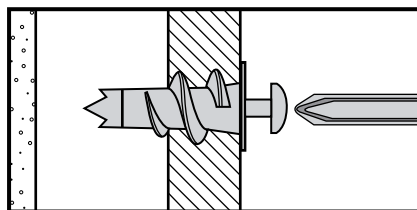
Types of Walls

Use one of the following types of wall plug (not included) if your walls are made of brick, breeze block, concrete, stone or wood. Screws may be able to be fixed directly to solid wood walls as they will provide a secure anchor point.



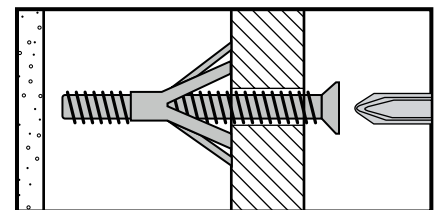
1. General Purpose Wall Plug

Generally, aerated blocks should not be used to support heavy loads, use a specialist fitting in this case. For light loads, general purpose wall plugs can be used.



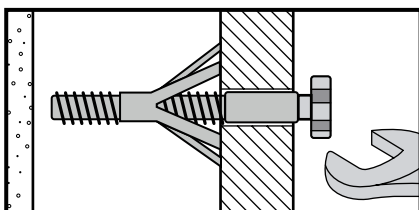
2. Plasterboard Wall Plug

For use when attaching light loads onto plasterboard partitions.



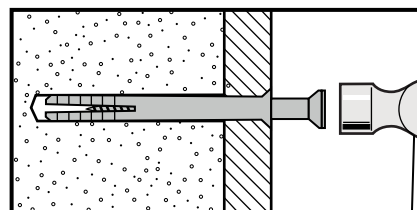
3. Cavity Fixing Wall Plug

For use with plasterboard partitions or hollow wooden doors.



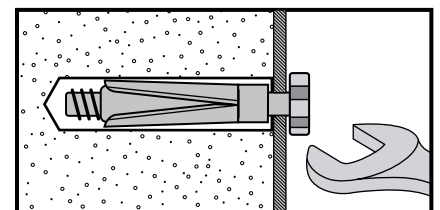
4. Cavity Fixing Heavy Duty Wall Plug

For use when fitting or supporting heavy loads such as shelving and wall cabinets.



5. Hammer Fixing Wall Plug

For use with concrete block or brick walls, or walls stuck with plasterboard. The hammer fixing allows it to be fixed to the wall rather than the plasterboard. Always check the fixing is secure to the retaining wall.



6. Shield Anchor Wall Plug Heavy Loads

For use with concrete or brick walls, or for use with heavier loads such as TV & HiFi speakers and satellite dishes, etc.