

Taranto Barstool

0.5hr

APPROXIMATE ASSEMBLY TIME

1 PERSON ASSEMBLY



FLOOR AREA
1M x 1M



REQUIRED ASSEMBLY SPACE



Taranto Barstool

Tips before you start:

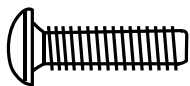
1. Please check that all parts are present before you start the assembly of your furniture.
2. For ease and speed of assembly, we recommend that before you commence each step of the assembly, that you identify all the parts required for that step.
3. For larger items, please ensure that you have sufficient space and people (as indicated on page 1) to assemble your product safely.
4. We recommend that, where possible, all items are assembled near to the area in which they will be placed in use, to avoid moving the product unnecessarily once assembled.
5. For the protection of your furniture, we recommend that the product is placed on a protected surface during assembly to prevent any damage.
6. During assembly please take care not to over-tighten any fittings, as this may damage the product.
7. Always place the product on a flat, steady and stable surface.
8. Do not stand on the product. Do not use the product as a stepladder.
9. This product is intended for indoor, household use only as it is a non-industrial product.
10. Please use caution and care when lifting the product to avoid personal injury and/or product damage.

Care and Maintenance of your Furniture

- Please periodically check all fittings and re-tighten as necessary.
- To clean your item, please use a damp cloth and wipe clean.
- Never allow any kind of liquid to remain on your furniture. Absorption can cause wood to warp or finishes to de-laminate.
- Please do not place hot items (eg. hot drinks) directly on to the surface.
- Please do not drag and pull your furniture.

Taranto Barstool

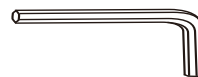
HARDWARE LIST



4 x A
Bolt
6 x 16mm

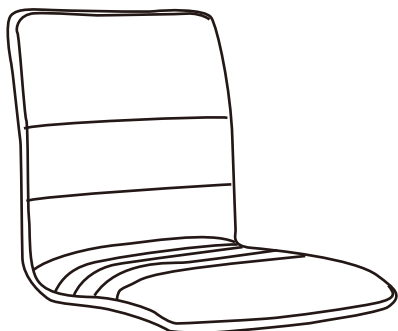


4 x B
Washer



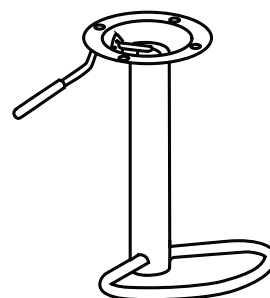
1 x C
Allen Key

PARTS LIST



1

1 PC



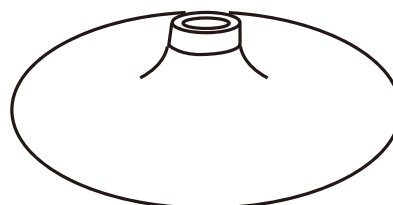
2

1 PC



3

1 PC



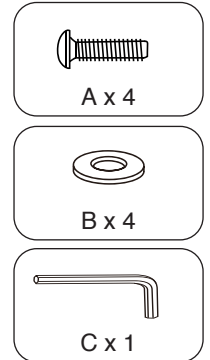
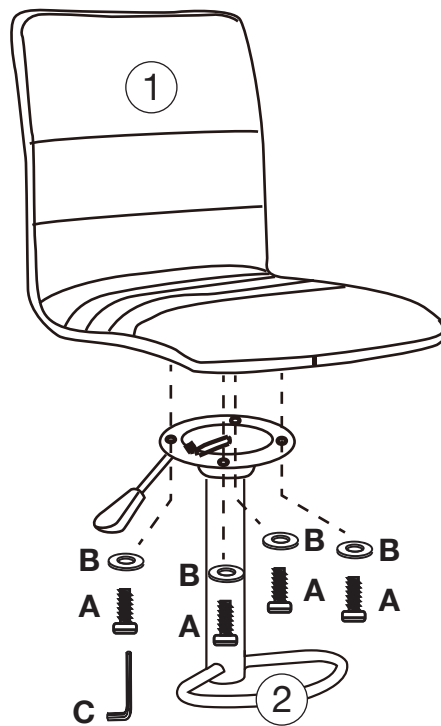
4

1 PC

Taranto Barstool

STEP 1

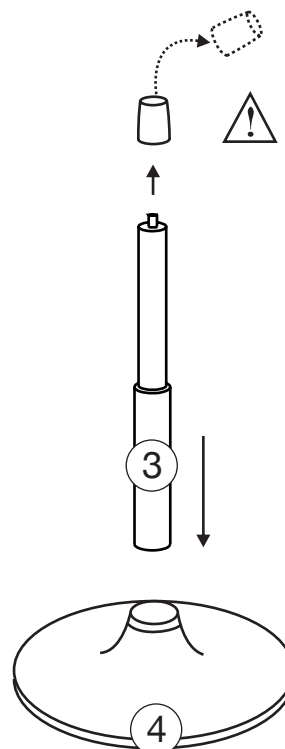
Connect the lift mechanism 2 to seat 1 using bolts (A) , washers (B) and Allen key (C).



STEP 2

Insert gas lift 3 into base 4, as shown.

Remove protective cap from the gas lift

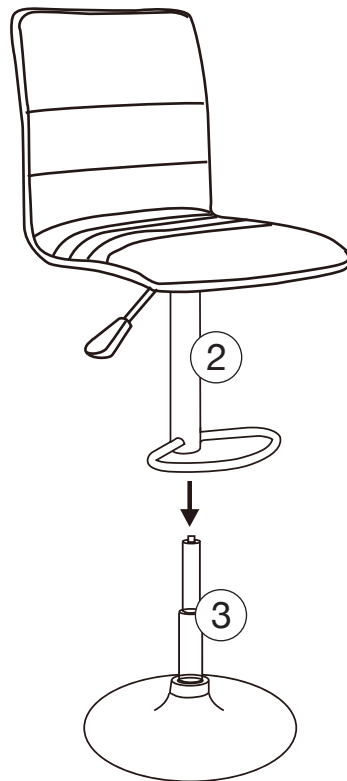


Taranto Barstool

STEP 3

Gently lower assembled seat to connect to the gas lift 3.

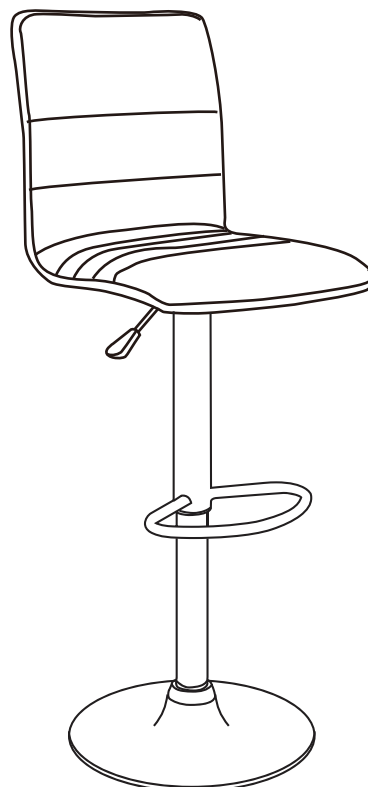
You may need to carefully sit on the assembled barstool to use your weight to lock the gas lift fully into place.



STEP 4

To adjust the height, lift the lever while sitting to lower the seat.
To raise, lift the lever when there is no weight on the seat.

When moving the barstool please lift and carefully place into position. Do not drag the barstool along the floor.



Maximum recommended weight for this barstool is 100kg.

Your barstool is ready for use.