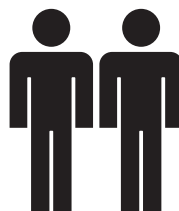


# 4 Drawer Tallboy

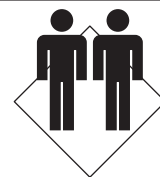
1.5hr

APPROXIMATE ASSEMBLY TIME

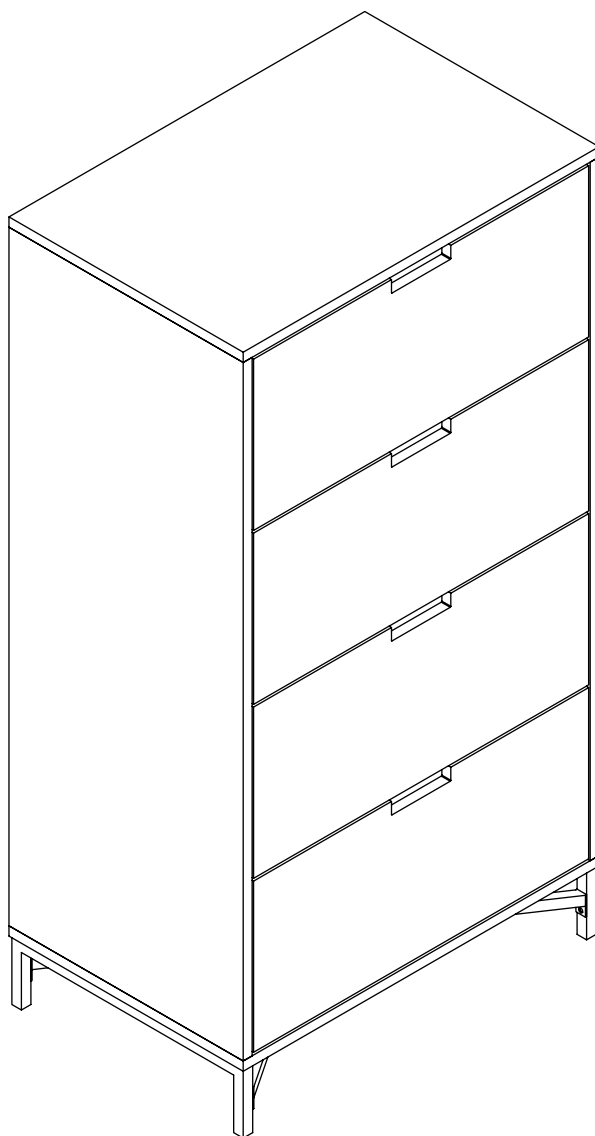


2 PERSON ASSEMBLY

FLOOR AREA  
2M x 2.5M



REQUIRED ASSEMBLY SPACE



# 4 Drawer Tallboy

## Tips before you start:

1. Please check that all parts are present before you start the assembly of your furniture.
2. For ease and speed of assembly, we recommend that before you commence each step of the assembly, that you identify all the parts required for that step.
3. For larger items, please ensure that you have sufficient space and people (as indicated on page 1) to assemble your product safely.
4. We recommend that, where possible, all items are assembled near to the area in which they will be placed in use, to avoid moving the product unnecessarily once assembled.
5. For the protection of your furniture, we recommend that the product is placed on a protected surface during assembly to prevent any damage.
6. During assembly please take care not to over-tighten any fittings, as this may damage the product.
7. Always place the product on a flat, steady and stable surface.
8. Do not stand on the product. Do not use the product as a stepladder.
9. This product is intended for indoor, household use only as it is a non-industrial product.
10. Please use caution and care when lifting the product to avoid personal injury and/or product damage.

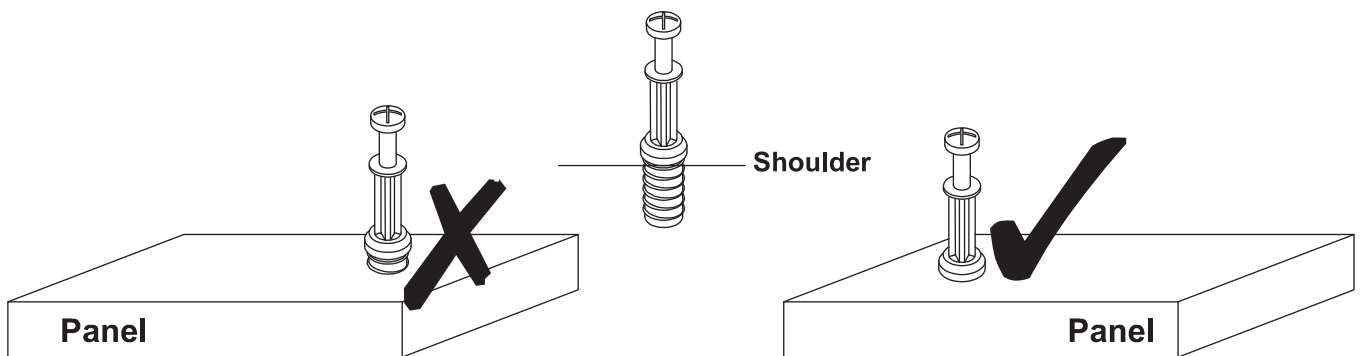
## Care and Maintenance of your Furniture

- Please periodically check all fittings and re-tighten as necessary.
- To clean your item, please use a damp cloth and wipe clean.
- Never allow any kind of liquid to remain on your furniture. Absorption can cause wood to warp or finishes to de-laminate.
- Please do not place hot items (eg. hot drinks) directly on to the surface.
- Please do not drag and pull your furniture.

# 4 Drawer Tallboy

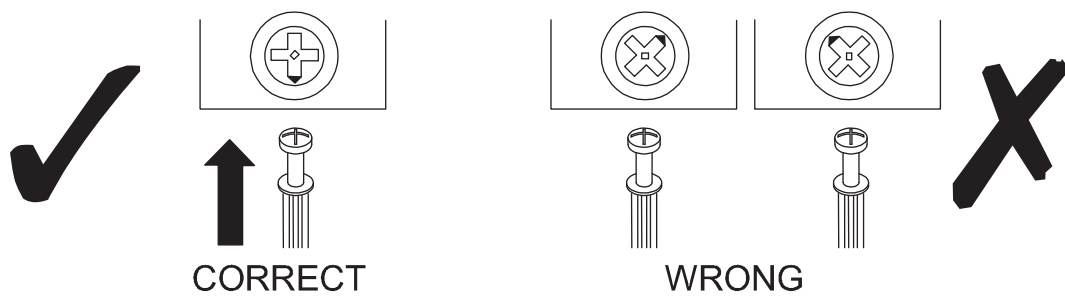
Tips before you start:

## QUICKFIT



Tighten quickfit until shoulder is flush with panel. Do not overtighten or undertighten.

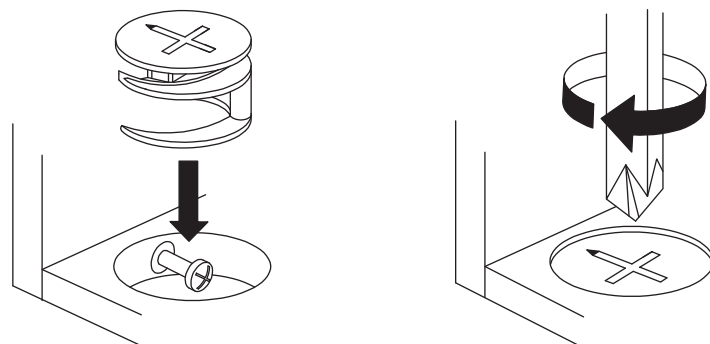
## CAM LOCK



When fitting cam lock, ensure starting position is correct before you insert connecting quickfit.

Quickfit head should be in the centre of the cam lock when the two panels are joined.







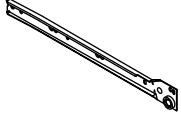
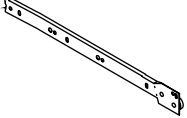

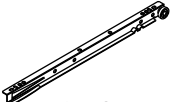

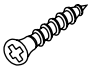


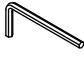





Cam lock should be inserted before quickfit.



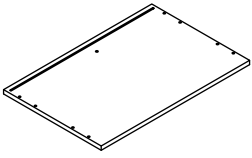
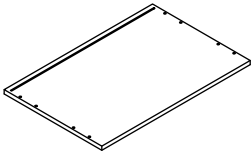
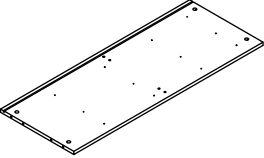
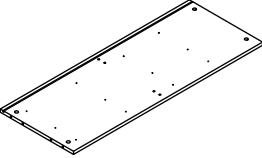
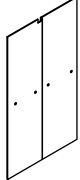
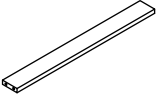
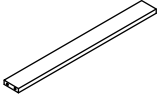
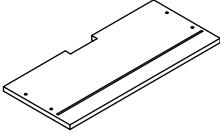
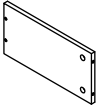
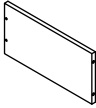
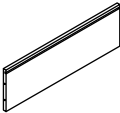
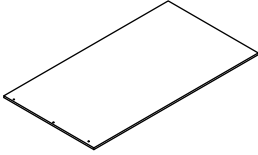
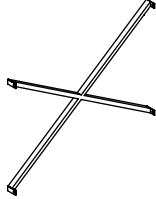
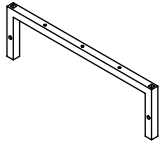
Turn cam lock clockwise to tighten.

# 4 Drawer Tallboy

## HARDWARE LIST

						
24 x A Quickfit Screw	24 x B Cam Lock	12 x C Wooden Dowel	4 x D Bolt 6 x 10mm	4 x E Screw 4 x 12mm	1 x F Bracket	4 x G Outer Drawer Runner
						
4 x H Outer Drawer Runner	48 x I Screw 4 x 30mm	4 x J Inner Drawer Runner	4 x K Inner Drawer Runner	16 x L Screw 4 x 30mm	1 x M Screw 4 x 35mm	1 x N Wall Plug
						
1 x O Allen Key	4 x P Screw 3 x 14mm	4 x Q Wedge	6 x R Screw 4 x 25mm	4 x S Screw 3 x 12mm	4 x T Screw 4 x 35mm	

## PARTS LIST

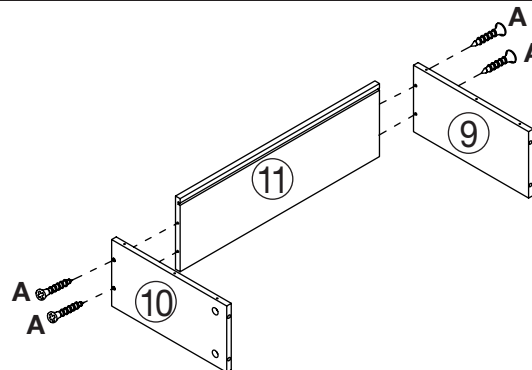
				
1   1 PC	2   1 PC	3   1 PC	4   1 PC	5   1 PC
				
6   1 PC	7   1 PC	8   4 PCS	9   4 PCS	10   4 PCS
				
11   4 PCS	12   4 PCS	13   1 PC	14   2 PCS	

# 4 Drawer Tallboy

## STEP 1

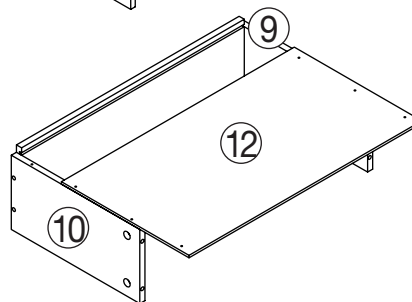
### DRAWERS

Fix parts 9 and 10 to part 11 using screws (L).



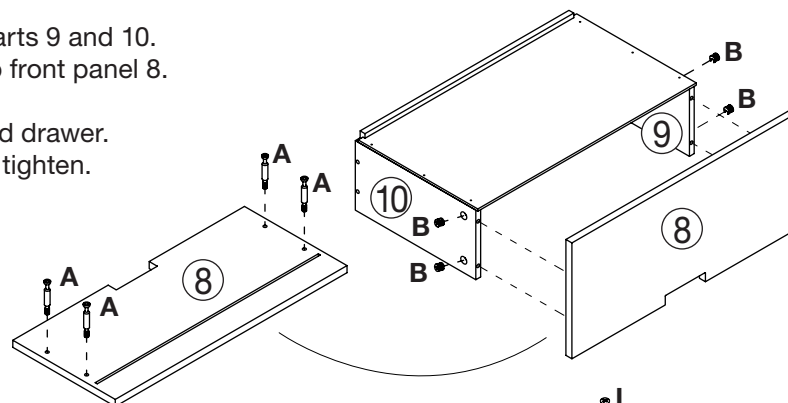
L x 4

Place top panel 12 on top of parts 9 and 10.



Insert the cam locks (B) to parts 9 and 10.  
Insert quickfit screws (A) into front panel 8.

Fit front panel 8 to assembled drawer.  
Turn cam locks clockwise to tighten.

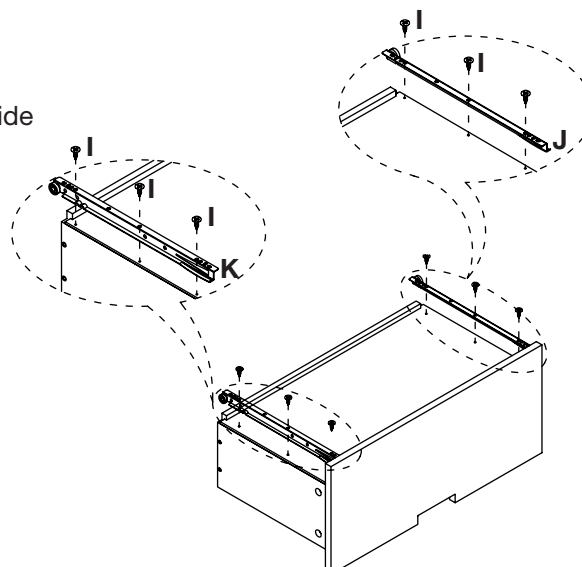


A x 4



B x 4

Fix inner drawer runners (J) and (K) to underside of drawer using screws (I), as shown.



I x 6



J x 1



K x 1

# x4

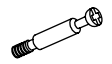
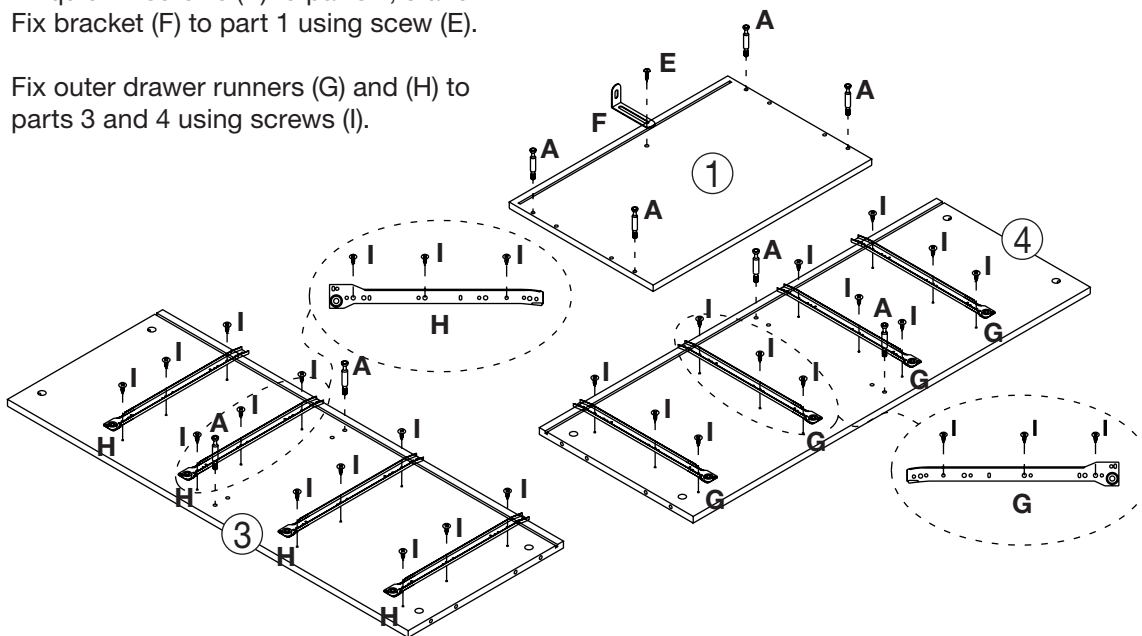
Repeat for all 4 drawers

# 4 Drawer Tallboy

## STEP 2

Fit quickfit screws (A) to parts 1, 3 and 4.  
Fix bracket (F) to part 1 using screw (E).

Fix outer drawer runners (G) and (H) to parts 3 and 4 using screws (I).



A x 8



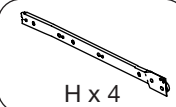
E x 1



F x 1



G x 4



H x 4

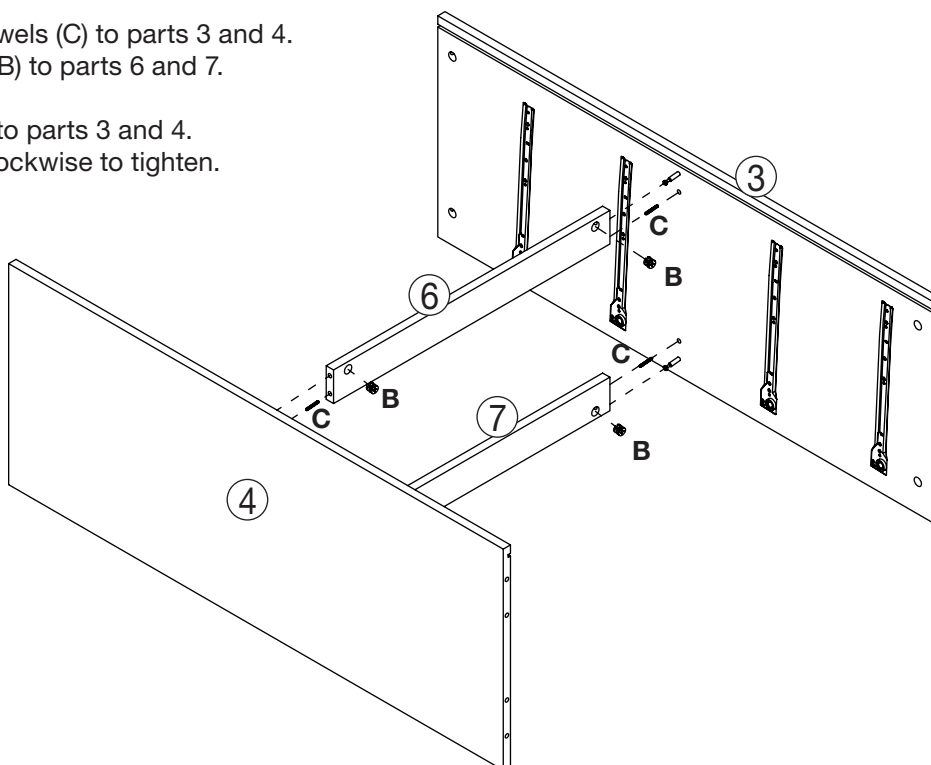


I x 24

## STEP 3

Insert wooden dowels (C) to parts 3 and 4.  
Insert cam locks (B) to parts 6 and 7.

Fit parts 6 and 7 to parts 3 and 4.  
Turn cam locks clockwise to tighten.



B x 4



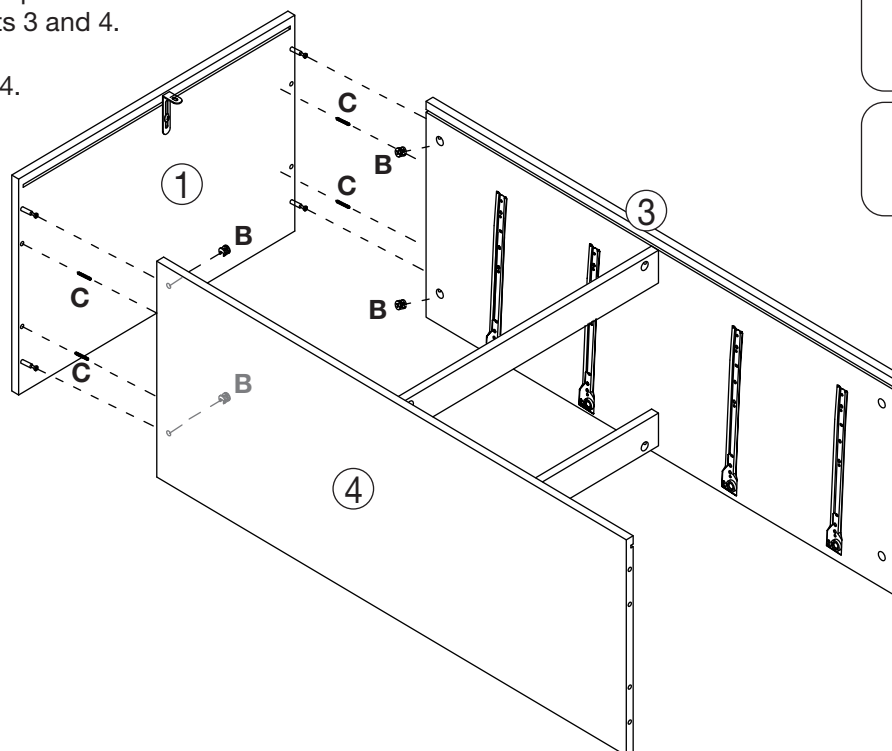
C x 4

# 4 Drawer Tallboy

## STEP 4

Insert wooden dowels (C) to part 1.  
Insert cam locks (B) to parts 3 and 4.

Fit part 1 onto parts 3 and 4.  
Turn cam locks clockwise  
to tighten.



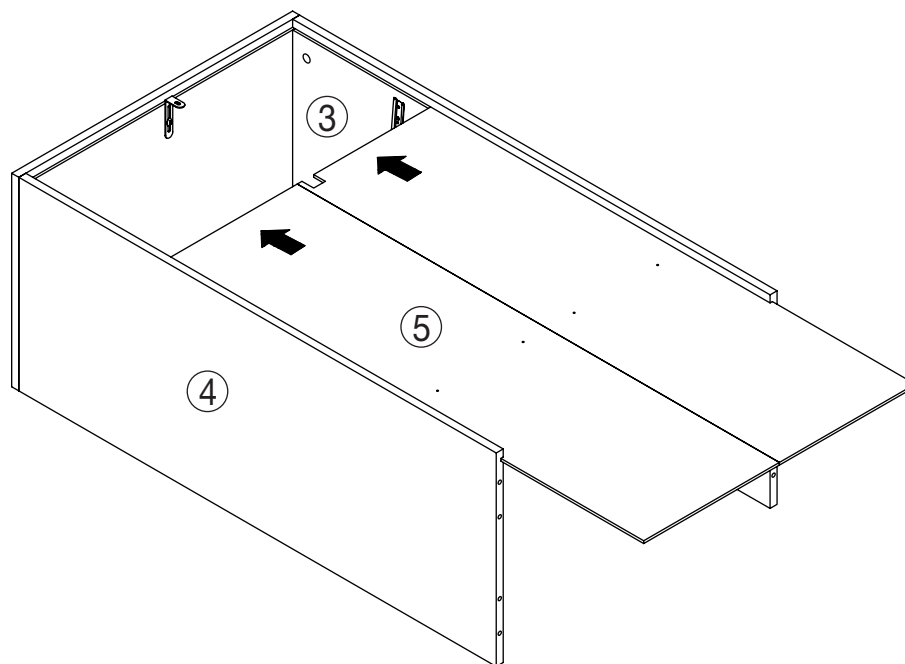
B x 4



C x 4

## STEP 5

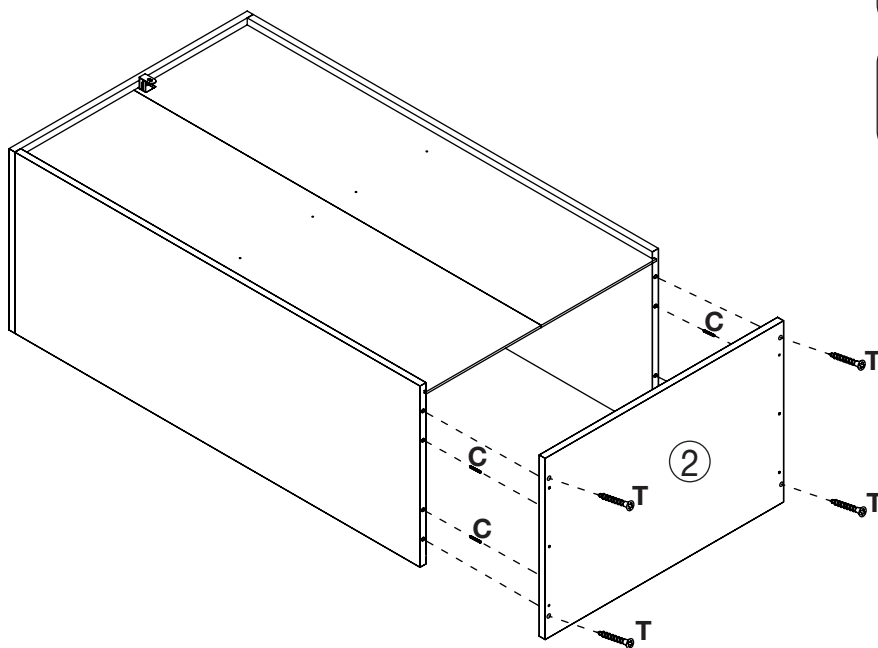
Slide back panel 5 in between slots of parts 3 and 4.



# 4 Drawer Tallboy

## STEP 6

Insert wooden dowels (C) to part 2.  
Fix part 2 to assembled unit using screws (T).



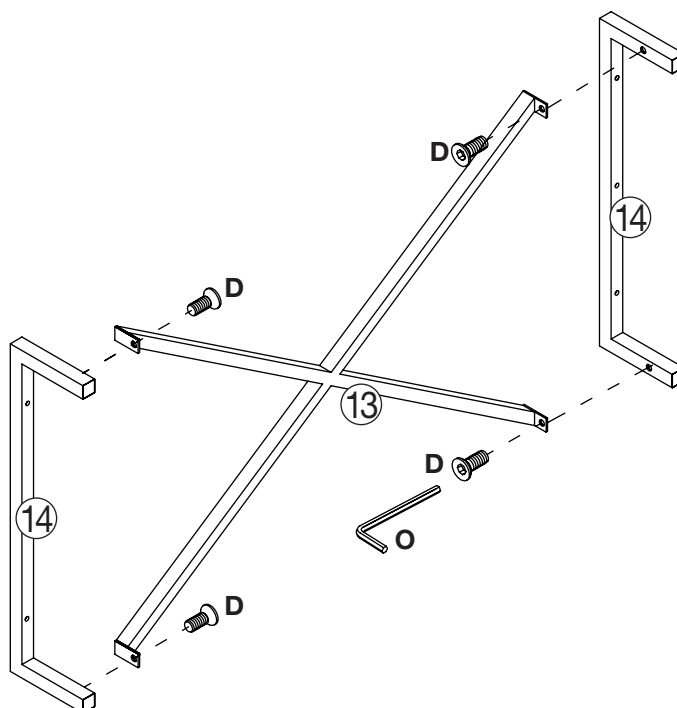
C x 4



T x 4

## STEP 7

Fix parts 13 and 14 together using bolts (D), as shown.



D x 4



O x 1

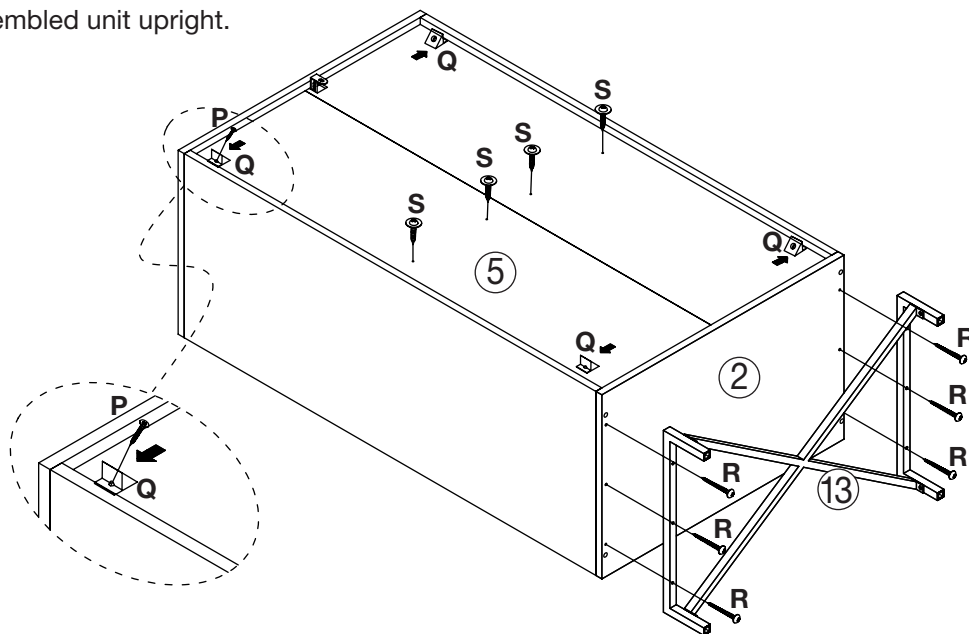


# 4 Drawer Tallboy

## STEP 8

Secure back panel 5 by adding screws (S).  
Fix wedge (Q) to rear of the assembled unit by using screws (P).  
Fix assembled legs to bottom of the unit using screws (R).

Lift assembled unit upright.



R x 6



S x 4



P x 4

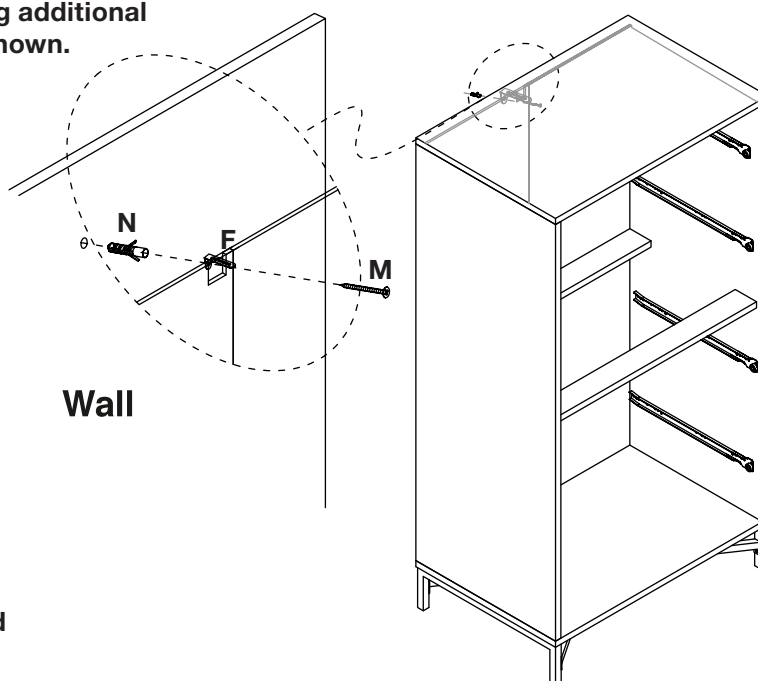


Q x 4

## STEP 9

Move assembled unit to its final position.

**For extra stability, it is recommended that you fix your tallboy to the wall using additional hardware (M, N and F), as shown.**



M x 1



N x 1



F x 1

Should you choose not to affix the product to the wall, serious injury may be caused if the product tips over.

# 4 Drawer Tallboy

## WALL FIXING GUIDE

**NOTE: Supplied wall plugs are only suitable for use in masonry walls.**

If you have any doubts about using the correct plug for your wall, please seek professional advice. Failure of the product due to using incorrect fixings is the responsibility of the installer.



### IMPORTANT:

When drilling into walls, always check for hidden wires or pipes, etc.



## Tips & Tricks

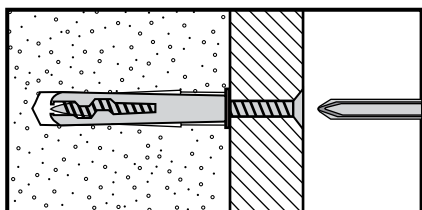
**Make sure that the hardware used is suitable for supporting your unit.**

**Please consult a qualified tradesperson if unsure.**

- ☑ If you are unsure, please select a larger screw and wall plug.
- ☑ Ensure that you use the recommended drill bit to match the wall plug and hole size.
- ☑ Take extra care when drilling high walls, ceiling and ceramic tiles. Ensure wall plugs are inserted beyond the thickness of the ceramic tiles to avoid splitting or cracking.
- ☑ Ensure that wall plugs are well fitted and are a tight fit in the drilled hole.

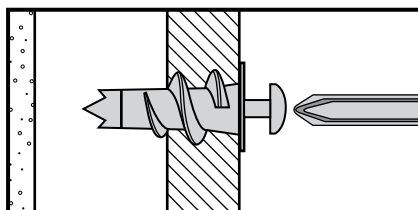
## Types of Walls

Use one of the following types of wall plug (not included) if your walls are made of brick, breeze block, concrete, stone or wood. Screws may be able to be fixed directly to solid wood walls as they will provide a secure anchor point.



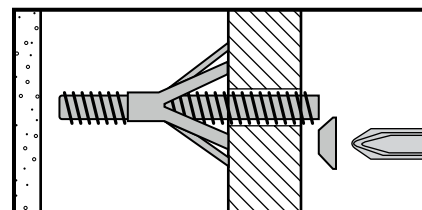
### 1. General Purpose Wall Plug

Generally, aerated blocks should not be used to support heavy loads, use a specialist fitting in this case. For light loads, general purpose wall plugs can be used.



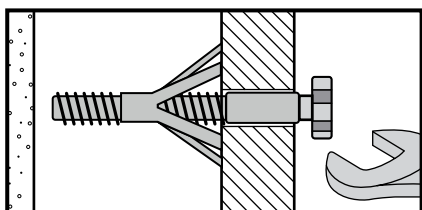
### 2. Plasterboard Wall Plug

For use when attaching light loads onto plasterboard partitions.



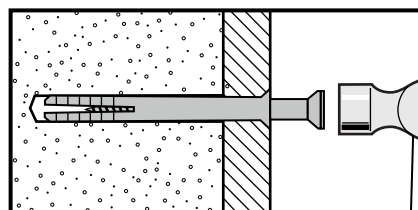
### 3. Cavity Fixing Wall Plug

For use with plasterboard partitions or hollow wooden doors.



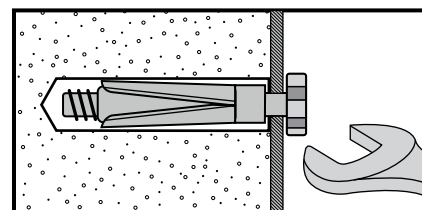
### 4. Cavity Fixing Heavy Duty Wall Plug

For use when fitting or supporting heavy loads such as shelving and wall cabinets.



### 5. Hammer Fixing Wall Plug

For use with concrete block or brick walls, or walls stuck with plasterboard. The hammer fixing allows it to be fixed to the wall rather than the plasterboard. Always check the fixing is secure to the retaining wall.



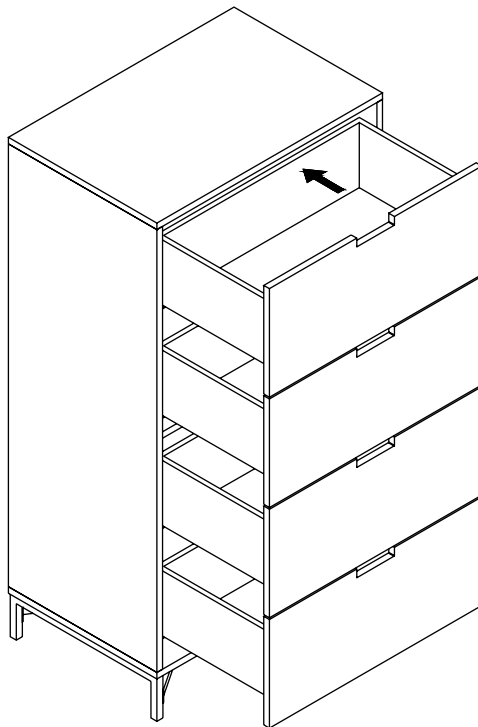
### 6. Shield Anchor Wall Plug Heavy Loads

For use with concrete or brick walls, or for use with heavier loads such as TV & HiFi speakers and satellite dishes, etc.

# 4 Drawer Tallboy

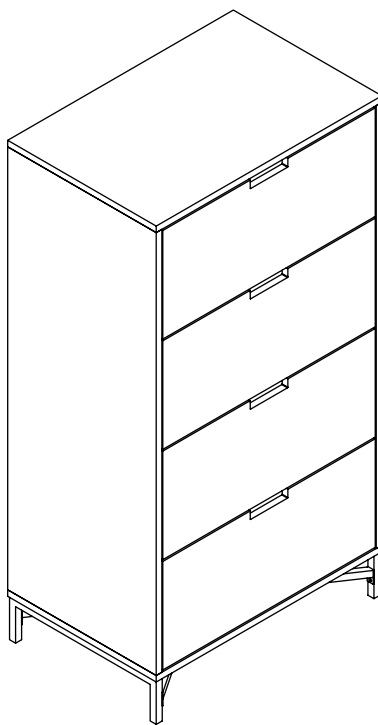
## STEP 8

Insert assembled drawers (step 1) into assembled unit, as shown.



## STEP 9

Your 4 drawer tallboy is ready for use.



Maximum recommended weight is 10kg on top and 10kg per drawer.