

Bedside Table

1hr

APPROXIMATE ASSEMBLY TIME

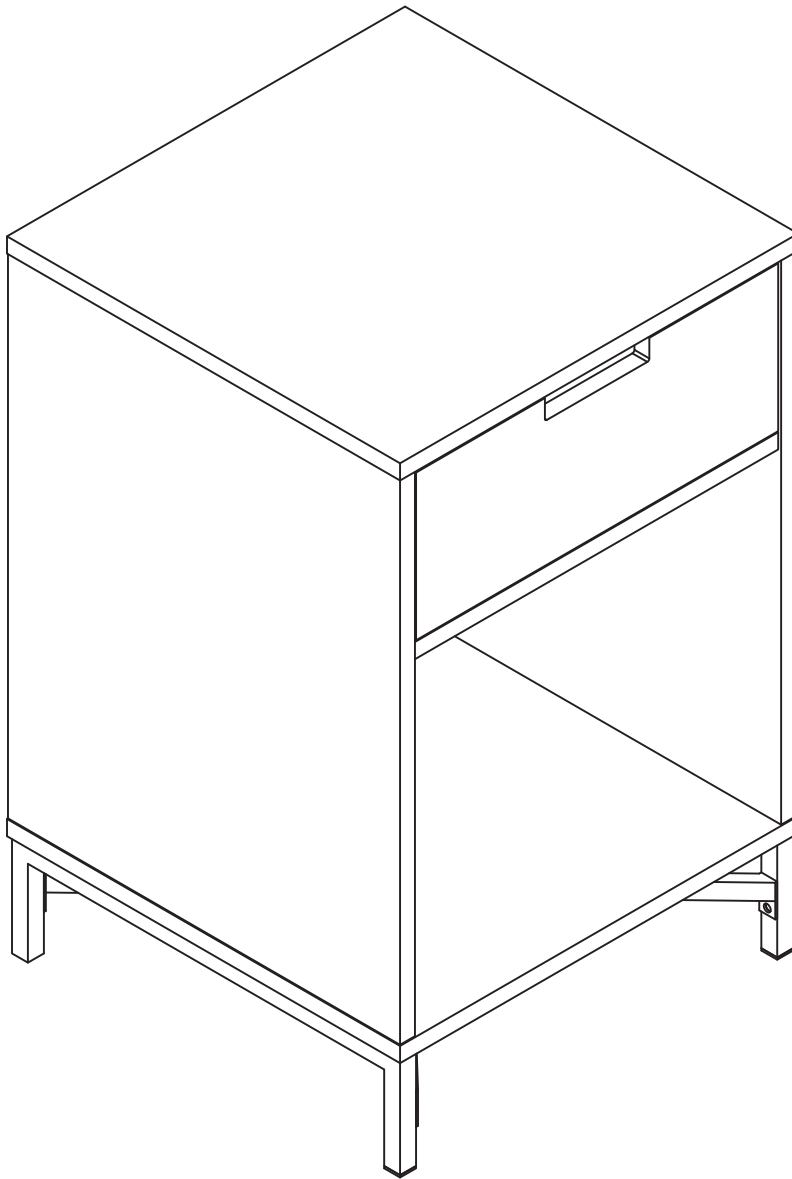


1 PERSON ASSEMBLY

FLOOR AREA
1M x 1M



REQUIRED ASSEMBLY SPACE



Bedside Table

Tips before you start:

1. Please check that all parts are present before you start the assembly of your furniture.
2. For ease and speed of assembly, we recommend that before you commence each step of the assembly, that you identify all the parts required for that step.
3. For larger items, please ensure that you have sufficient space and people (as indicated on page 1) to assemble your product safely.
4. We recommend that, where possible, all items are assembled near to the area in which they will be placed in use, to avoid moving the product unnecessarily once assembled.
5. For the protection of your furniture, we recommend that the product is placed on a protected surface during assembly to prevent any damage.
6. During assembly please take care not to over-tighten any fittings, as this may damage the product.
7. Always place the product on a flat, steady and stable surface.
8. Do not stand on the product. Do not use the product as a stepladder.
9. This product is intended for indoor, household use only as it is a non-industrial product.
10. Please use caution and care when lifting the product to avoid personal injury and/or product damage.

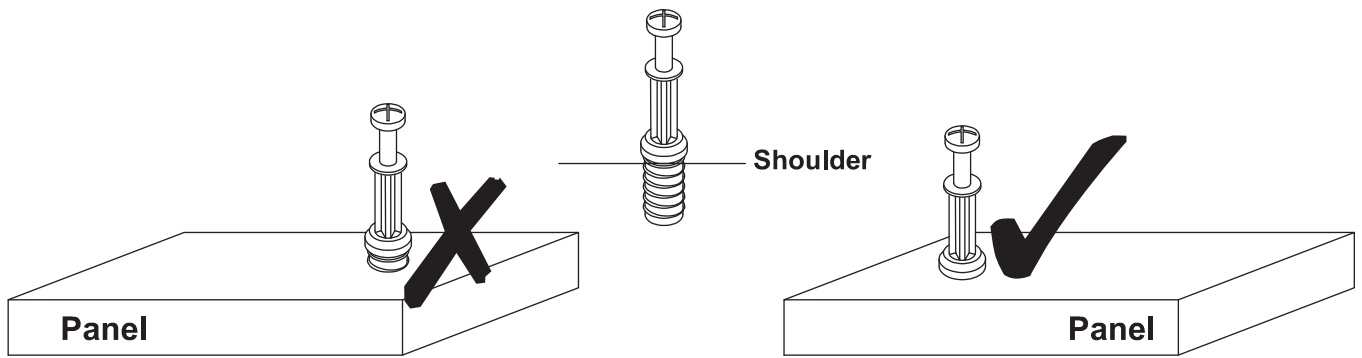
Care and Maintenance of your Furniture

- Please periodically check all fittings and re-tighten as necessary.
- To clean your item, please use a damp cloth and wipe clean.
- Never allow any kind of liquid to remain on your furniture. Absorption can cause wood to warp or finishes to de-laminate.
- Please do not place hot items (eg. hot drinks) directly on to the surface.
- Please do not drag and pull your furniture.

Bedside Table

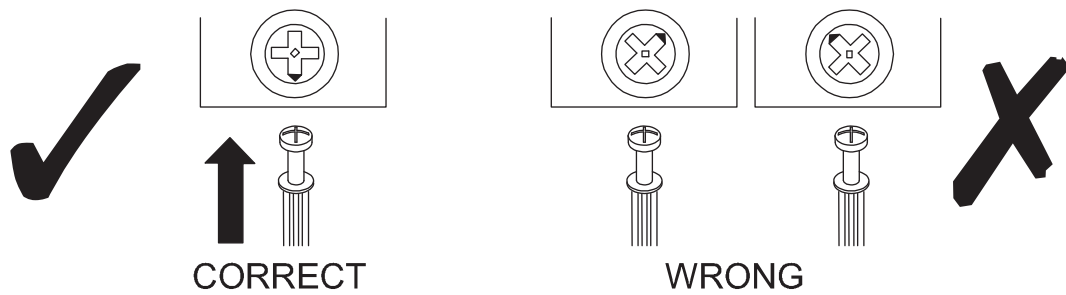
Tips before you start:

QUICKFIT



Tighten quickfit until shoulder is flush with panel. Do not overtighten or undertighten.

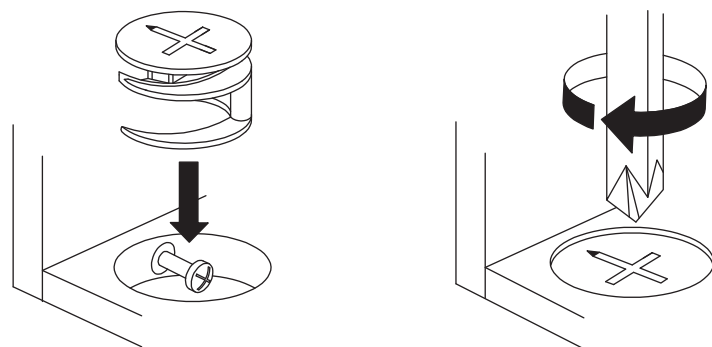
CAM LOCK



When fitting cam lock, ensure starting position is correct before you insert connecting quickfit.

Quickfit head should be in the centre of the cam lock when the two panels are joined.

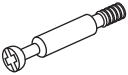





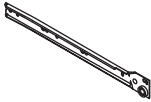
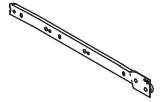

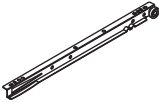

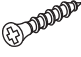



Cam lock should be inserted before quickfit.



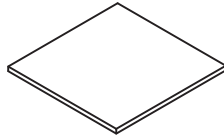
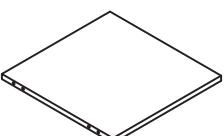
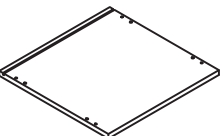
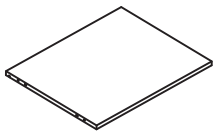
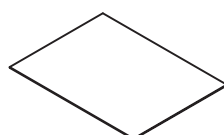
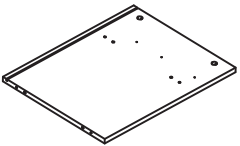
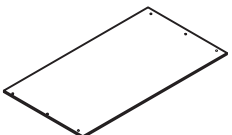
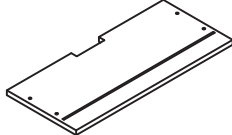
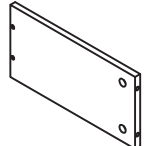
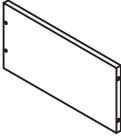
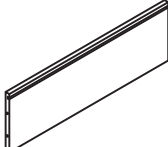

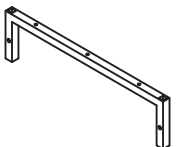
Turn cam lock clockwise to tighten.

Bedside Table

HARDWARE LIST

							
12 x A Quickfit Screw	12 x B Cam Lock	12 x C Wooden Dowel	4 x D Bolt 6 x 10mm	1 x E Allen Key	4 x F Screw 5 x 45mm	1 x G Outer Drawer Runner	1 x H Outer Drawer Runner
							
12 x I Screw 3.5 x 12mm	1 x J Inner Drawer Runner	1 x K Inner Drawer Runner	4 x L Screw 4 x 30mm	6 x M Screw 4 x 25mm	4 x N Wedge	4 x O Screw 3 x 14mm	

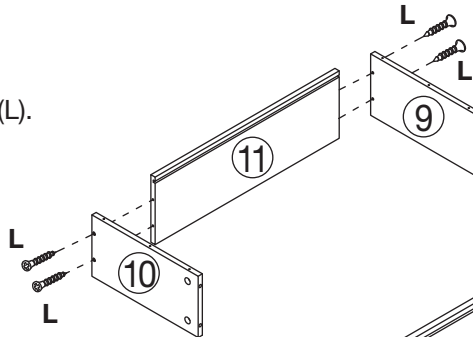
PARTS LIST

									
1	1 PC	2	1 PC	3	1 PC	4	1 PC	5	1 PC
									
6	1 PC	7	1 PC	8	1 PC	9	1 PC		
									
10	1 PC	11	1 PC	12	1 PC	13	2 PCS		

Bedside Table

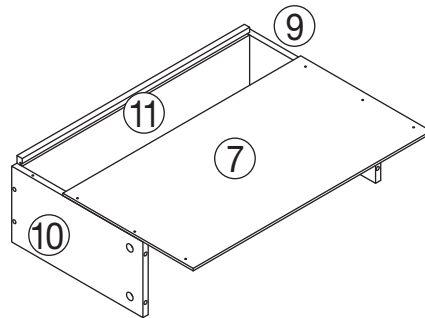
STEP 1

Fix parts 9 and 10 to part 11 using screws (L).

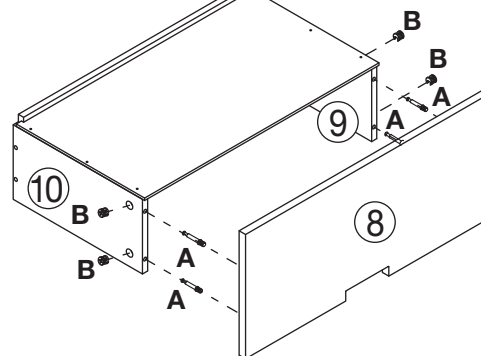


L x 4

Slide part 7 on top of parts 9, 10 and into grooves of part 11.



Insert cam locks (B) to parts 9 and 10.
Insert quickfit screws (A) to part 8.



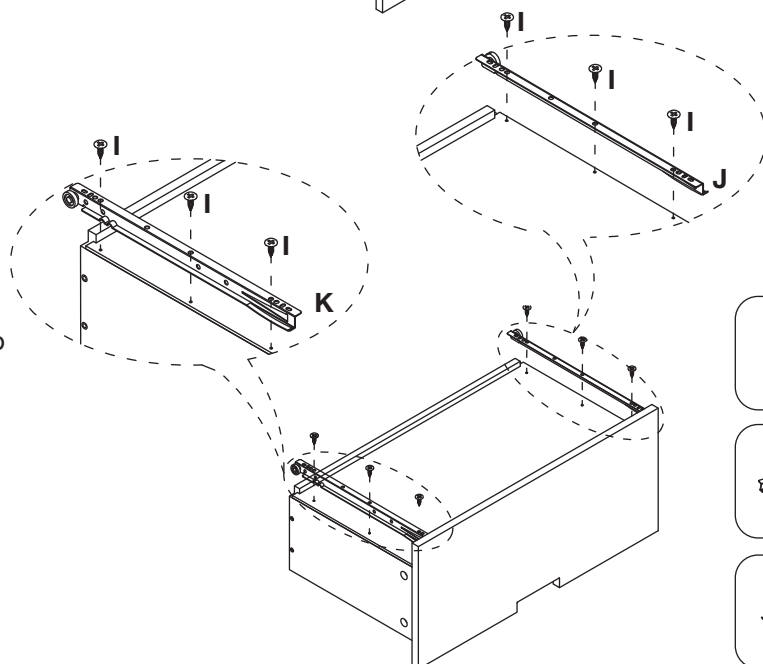
A x 4



B x 4

Fit part 8 to assembled drawer.
Turn cam locks clockwise to tighten.

Fix inner drawer runners (J) and (K) to underside of drawer using screws (I).



I x 6



J x 1

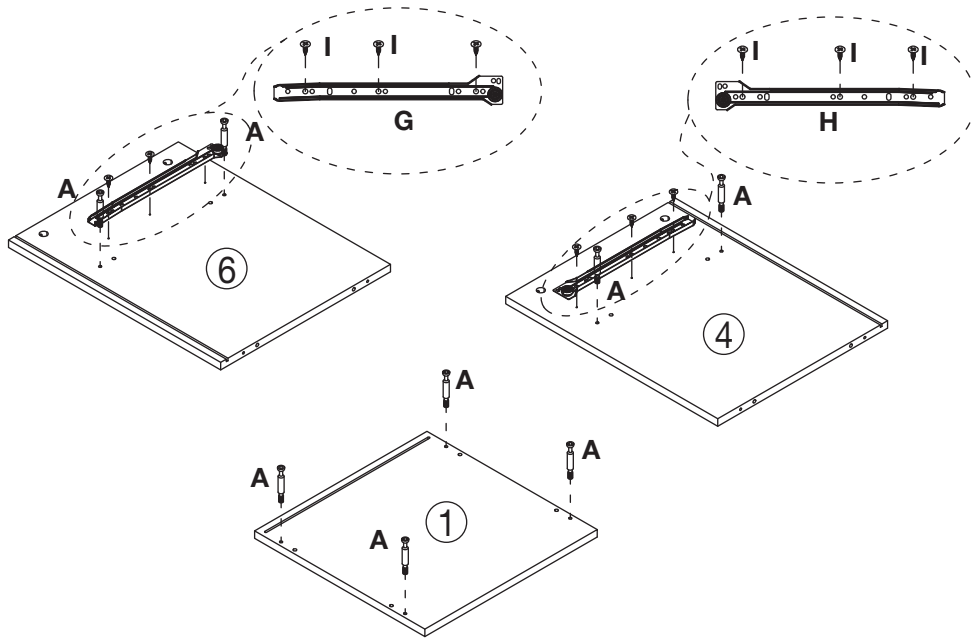


K x 1

Bedside Table

STEP 2

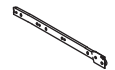
Insert quickfit screws (A) to parts 1, 4 and 6.
Fix outer drawer runners (G) and (H) to parts 4 and 6 using screws I.



A x 8



G x 1



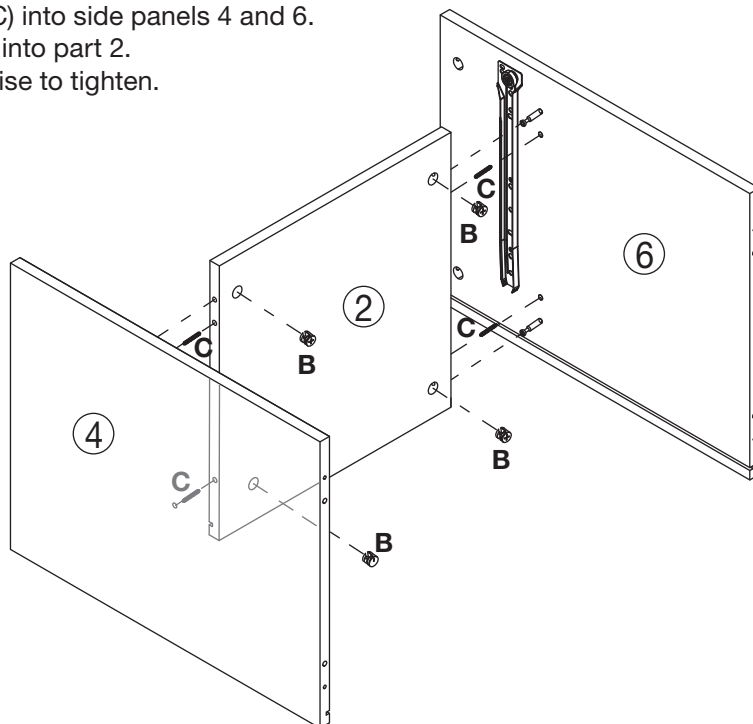
H x 1



I x 6

STEP 3

Insert cam locks (B) to part 2.
Insert wooden dowel (C) into side panels 4 and 6.
Fit side panels 4 and 6 into part 2.
Turn cam locks clockwise to tighten.



B x 4



C x 4

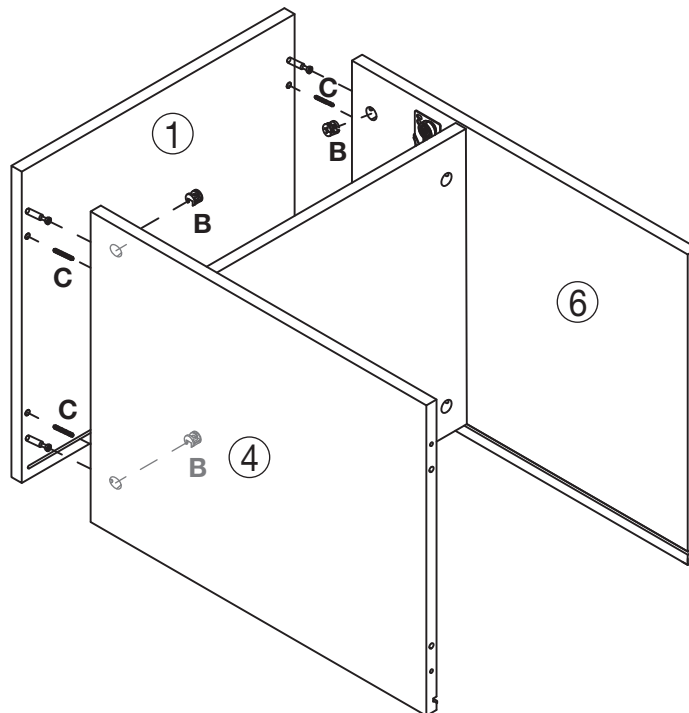
Bedside Table

STEP 4

Insert wooden dowels (C) into side panels 4 and 6 .

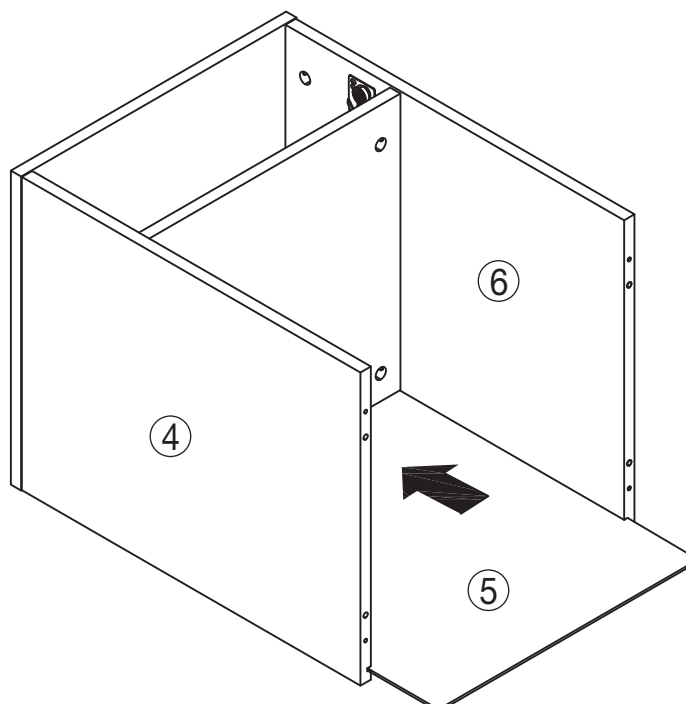
Insert cam locks (B) to parts 4 and 6.
Fit top panel 1 onto parts 4 and 6.

Turn cam locks clockwise to tighten.



STEP 5

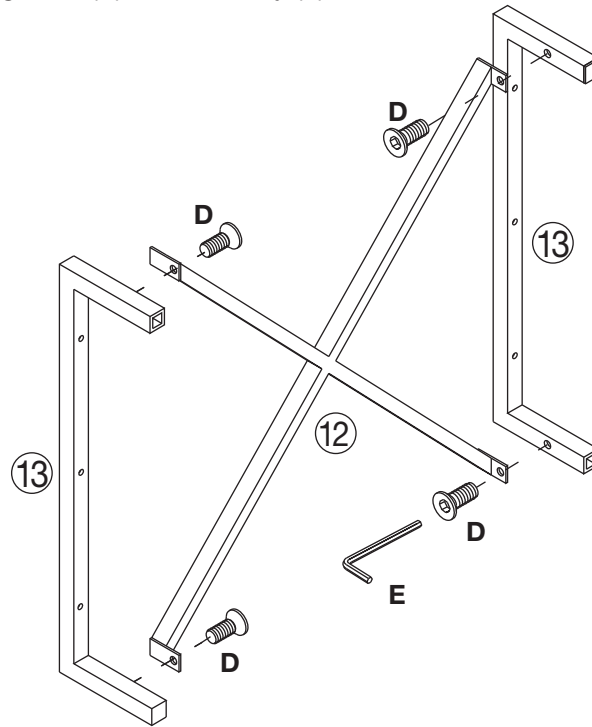
Slide part 5 in between grooves of parts 4 and 6, as shown.



Bedside Table

STEP 6

Fix parts 13 and 12 together using bolts (D) and allen key (E).



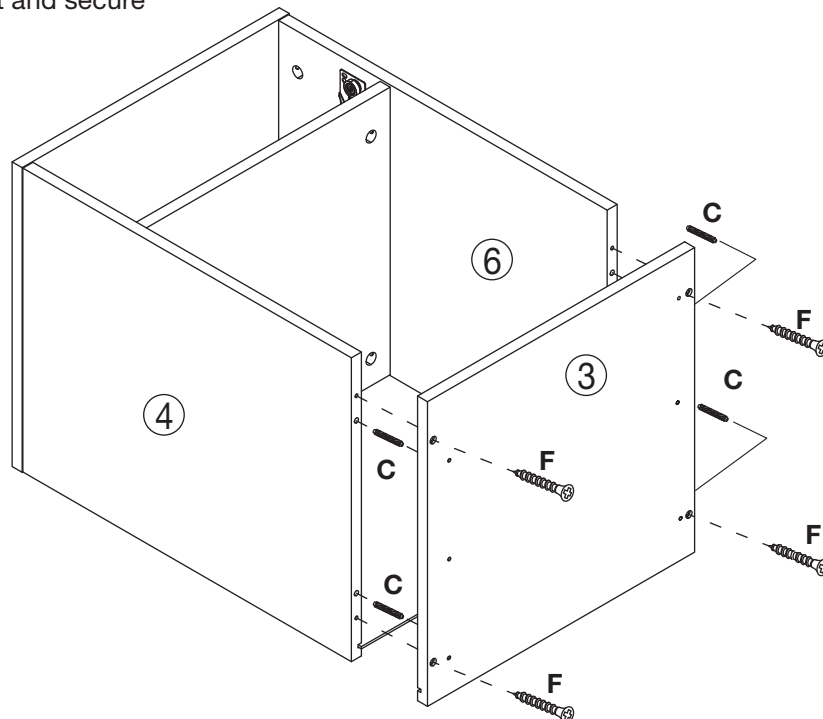
D x 4



E x 1

STEP 7

Insert wooden dowels (C) to parts 4 and 6.
Fit part 3 to assembled unit and secure with screws (F).



C x 4



F x 4

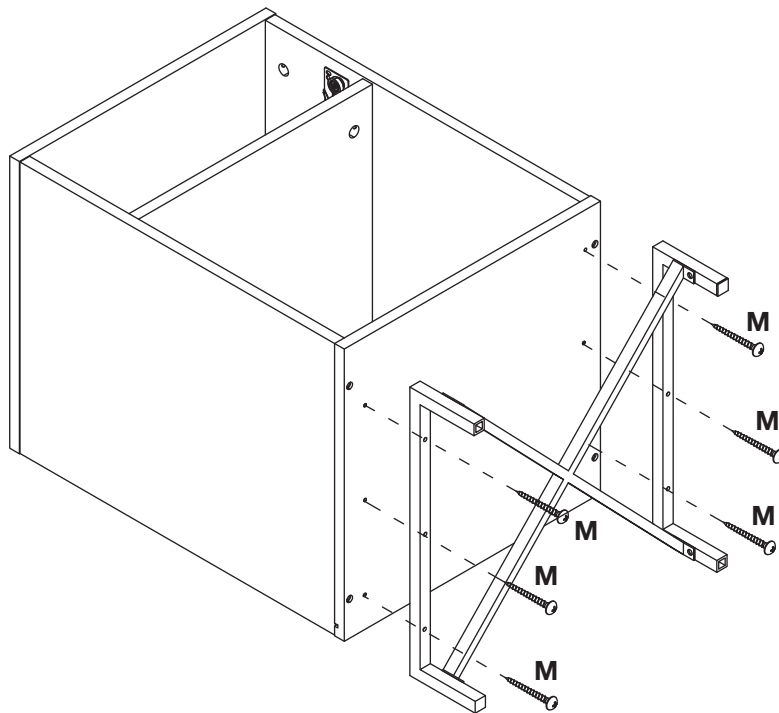
Bedside Table

STEP 8

Fix legs to assembled unit using screws (M).



M x 6



STEP 9

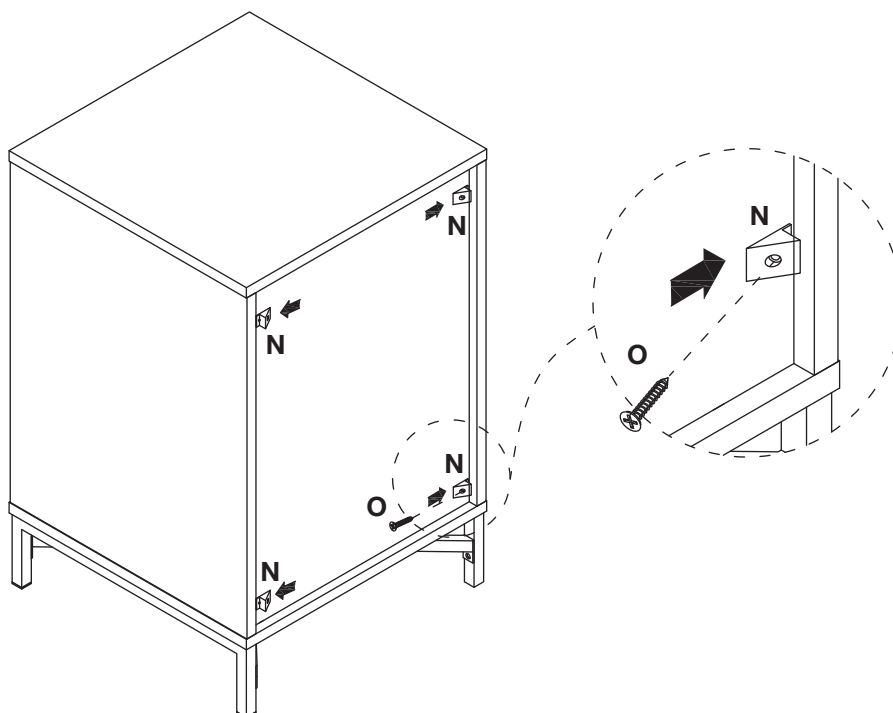
Secure back panel by fixing wedges (N) to back of unit using screws (O).



N x 4



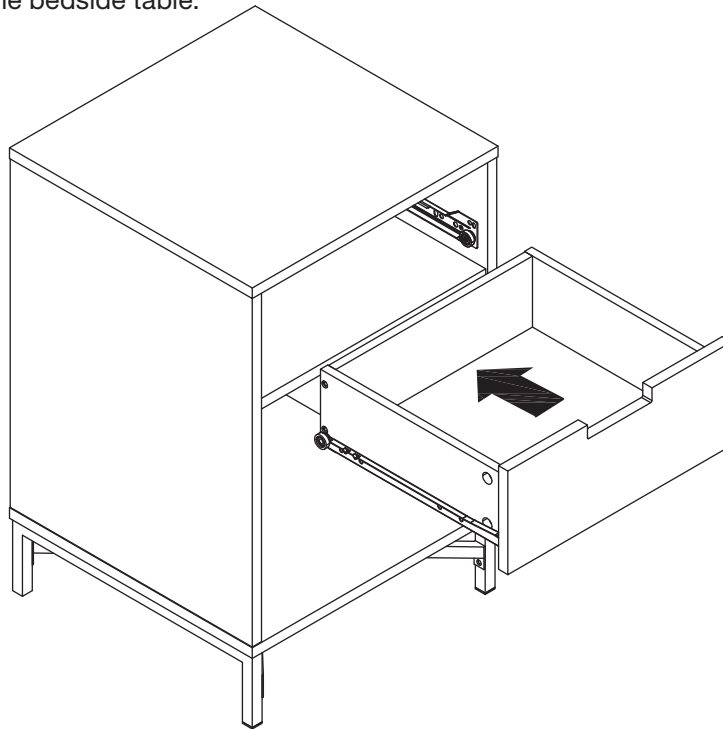
O x 4



Bedside Table

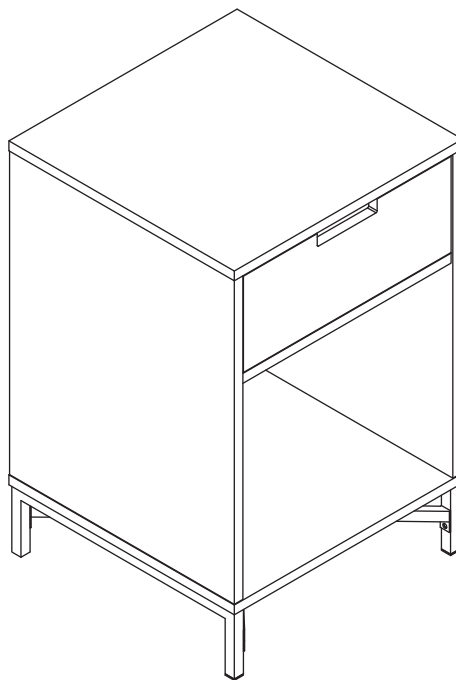
STEP 10

Slide assembled drawer (step 1) into the bedside table.



STEP 11

Your bedside table is ready for use.



Maximum recommended weight is 10kg on top and 5kg for the drawer.