

Queen Bed

1.5hr

APPROXIMATE ASSEMBLY TIME

2 PERSON ASSEMBLY

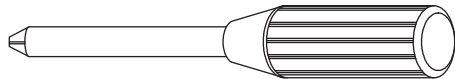


FLOOR AREA
2M x 3M

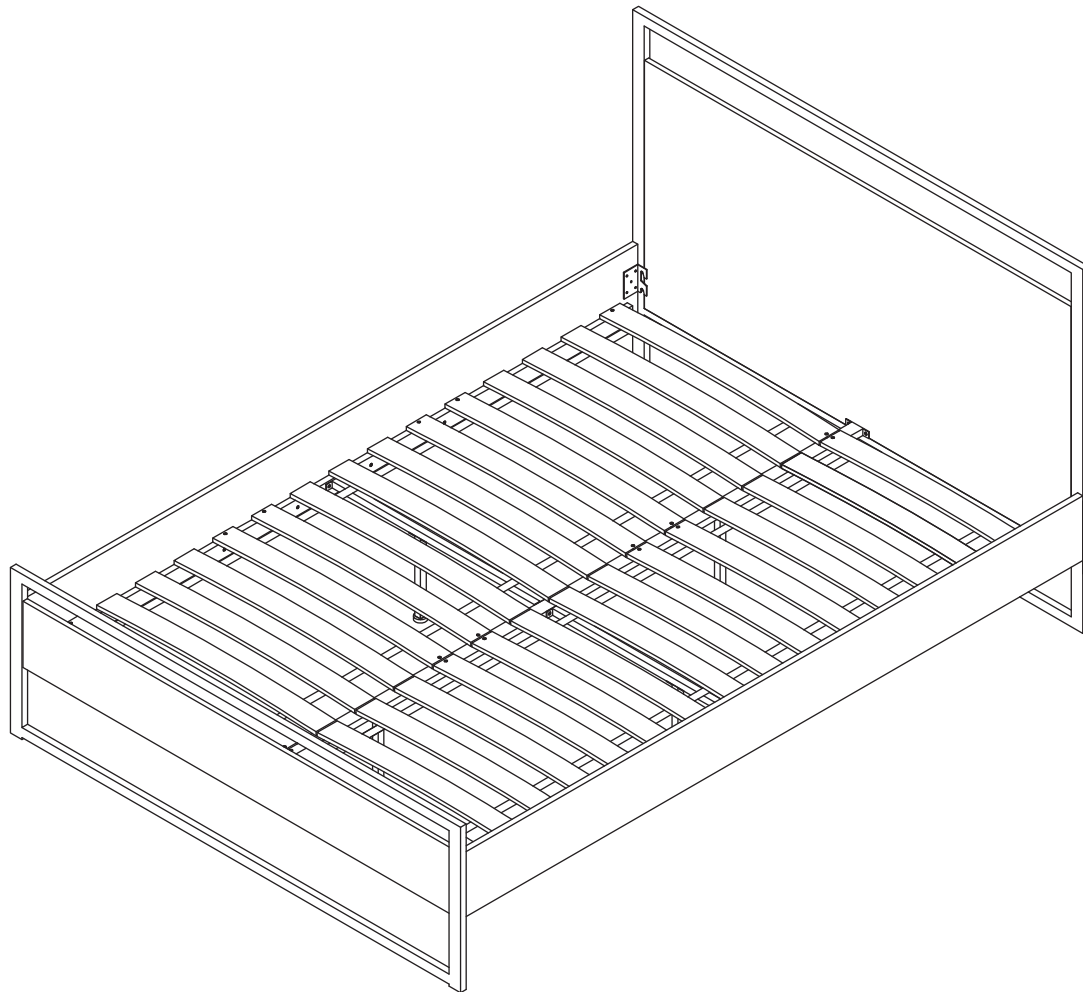


REQUIRED ASSEMBLY SPACE

REQUIRED ASSEMBLY TOOLS



PHILLIPS SCREWDRIVER



Queen Bed

Tips before you start:

1. Please check that all parts are present before you start the assembly of your furniture.
2. For ease and speed of assembly, we recommend that before you commence each step of the assembly, that you identify all the parts required for that step.
3. For larger items, please ensure that you have sufficient space and people (as indicated on page 1) to assemble your product safely.
4. We recommend that, where possible, all items are assembled near to the area in which they will be placed in use, to avoid moving the product unnecessarily once assembled.
5. For the protection of your furniture, we recommend that the product is placed on a protected surface during assembly to prevent any damage.
6. During assembly please take care not to over-tighten any fittings, as this may damage the product. Do not use power tools.
7. Always place the product on a flat, steady and stable surface.
8. Do not stand on the product. Do not use the product as a stepladder.
9. This product is intended for indoor, household use only as it is a non-industrial product.
10. Please use caution and care when lifting the product to avoid personal injury and/or product damage.

Care and Maintenance of your Furniture

- Please periodically check all fittings and re-tighten as necessary.
- To clean your item, please use a damp cloth and wipe clean.
- Never allow any kind of liquid to remain on your furniture. Absorption can cause wood to warp or finishes to de-laminate.
- Please do not place hot items (eg. hot drinks) directly on to the surface.
- Please do not drag and pull your furniture.

Queen Bed

HARDWARE LIST



16 x A
Bolt
6x12mm



20 x B
Screw
4x16mm



2 x C
Bracket



2 x D
Bracket



8 x E
Bolt
8x10mm



4 x F
Foot



2 x G
Bolt
6x55mm



2 x H
Nut



24 x I
Screw
4x18mm

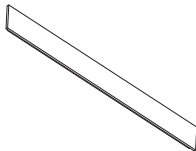


1 x J
Allen Key

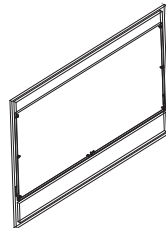


1 x K
Spanner

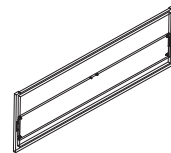
PARTS LIST



1 | 2 PCS



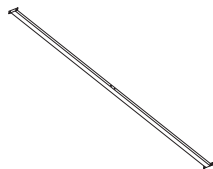
2 | 1 PC



3 | 1 PC



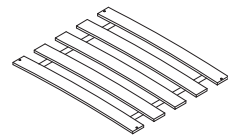
4 | 4 PCS



5 | 1 PC



6 | 2 PCS

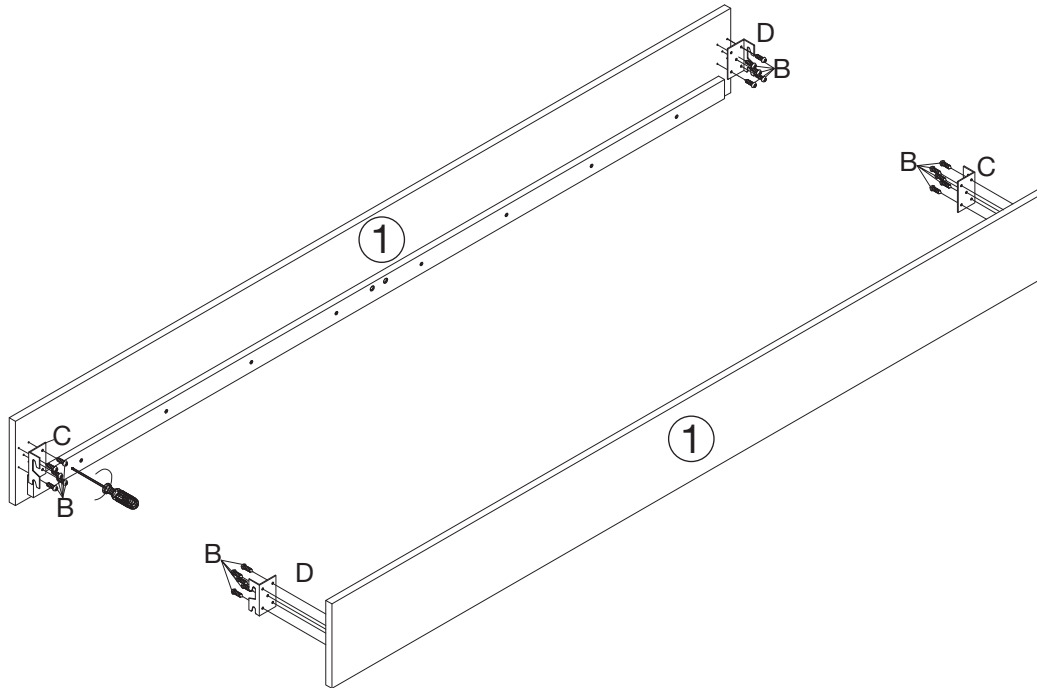


7 | 6 PCS

PQueen Bed

STEP 1

Fix brackets (C and D) using screws (B) to parts 1, as shown.



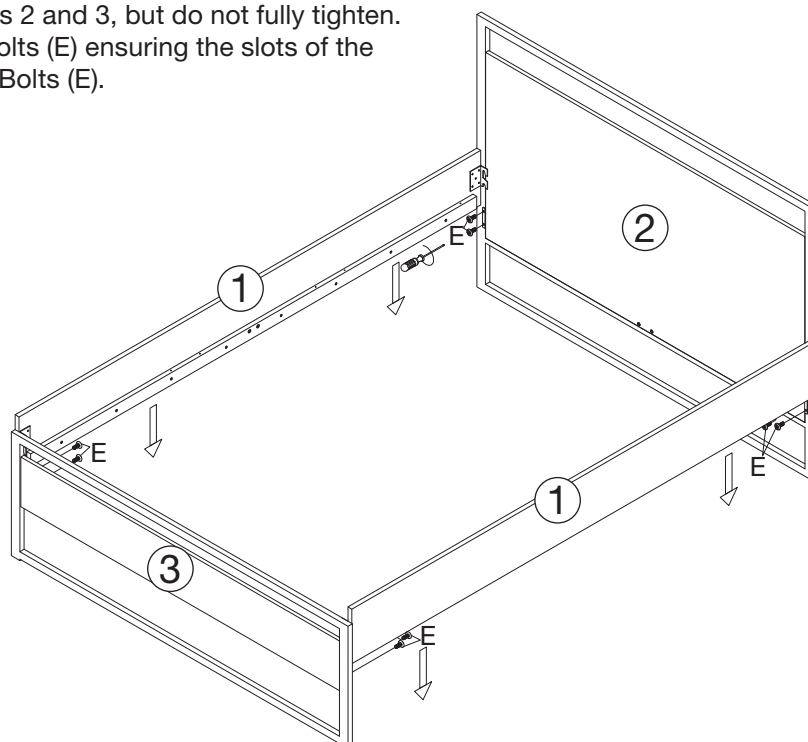

B x 20


C x 2


D x 2

STEP 2

Install Bolts (E) into parts 2 and 3, but do not fully tighten. Slide Parts 1 over the Bolts (E) ensuring the slots of the brackets hang onto the Bolts (E).




E x 8

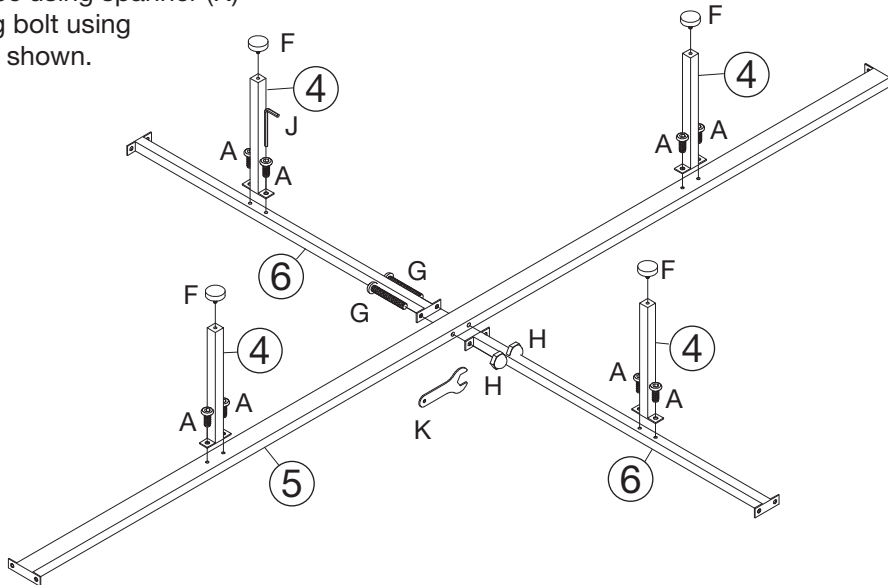
Queen Bed

STEP 3

Fix feet (F) to parts 4, as shown.

Fix parts 4 to parts 5 and 6 using bolts (A) and allen key (J).

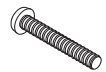
Fix parts 5 and 6 together using bolts (G) and nuts (H).
Hold nut in place using spanner (K)
while tightening bolt using allen key (J), as shown.



A x 8



F x 4



G x 2



H x 2



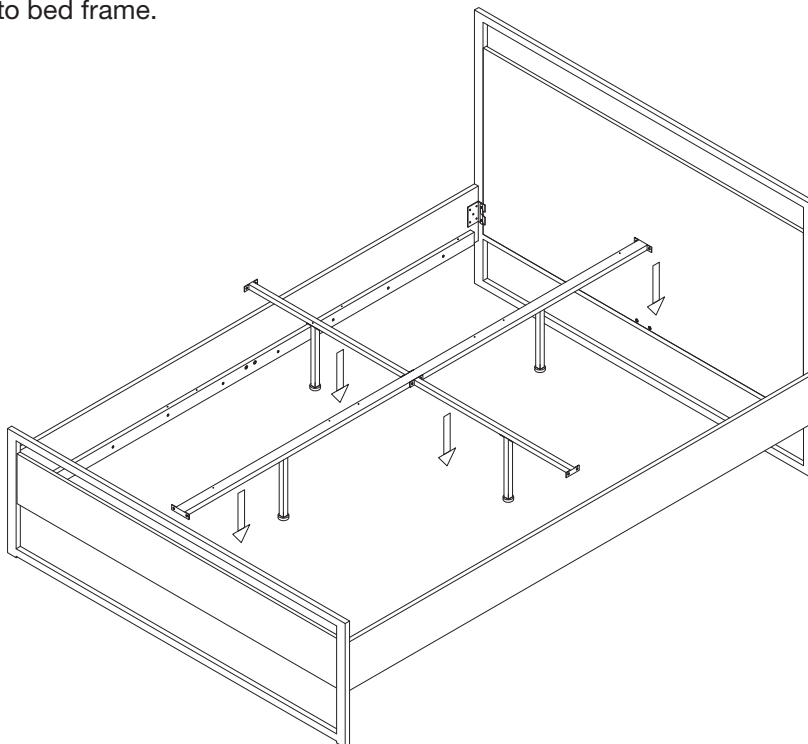
J x 1



K x 1

STEP 4

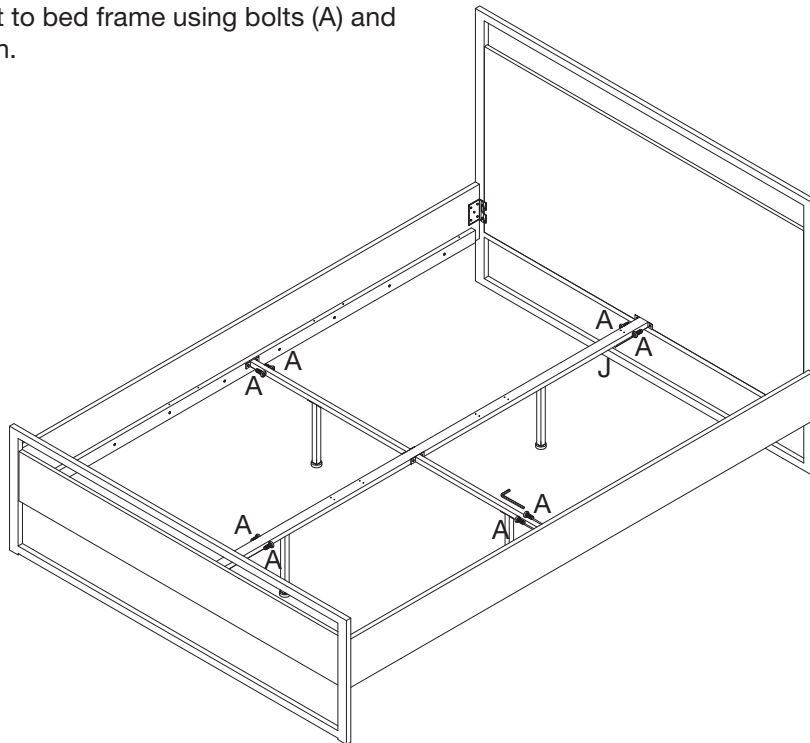
Fit assembled unit to bed frame.



Queen Bed

STEP 5

Fix assembled unit to bed frame using bolts (A) and allen key, as shown.



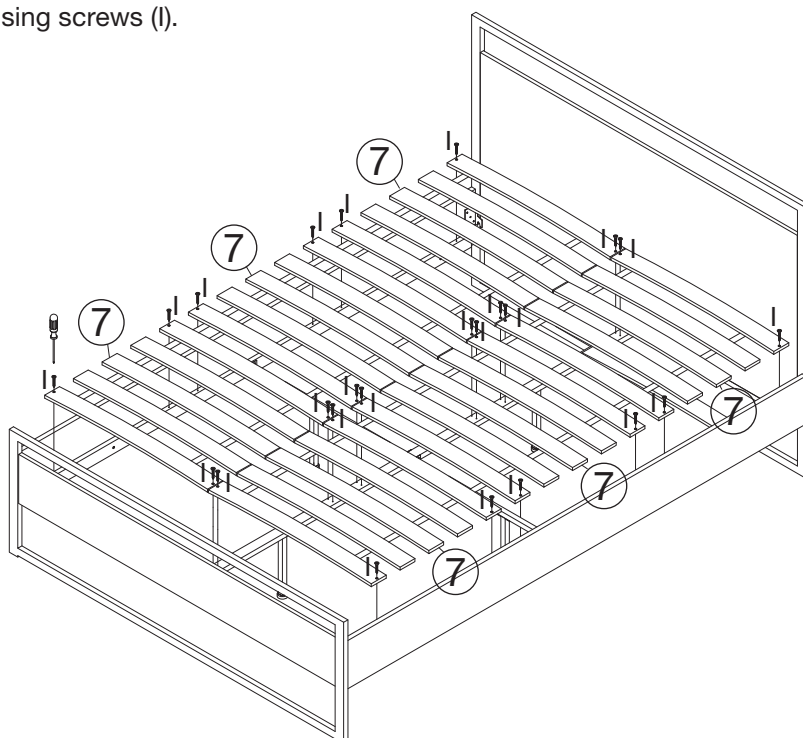
A x 8



J x 1

STEP 6

Fix slats 7 to bed frame using screws (I).

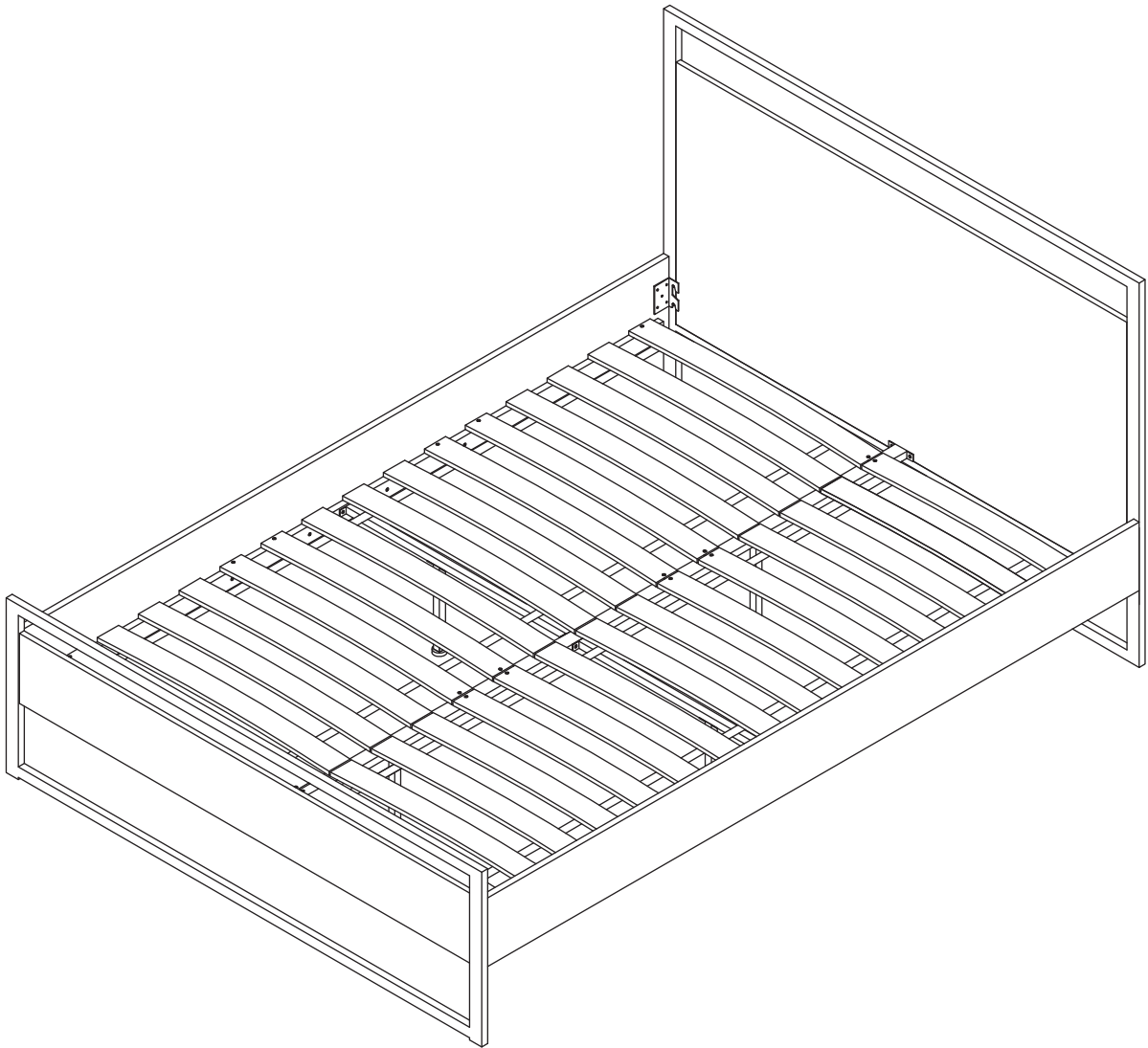


I x 24

Queen Bed

STEP 7

Your queen bed is ready for use.



**Please note: Before use, ensure bolts are fully tightened.
Do not over tighten bolts.**

Adjust the feet if needed to ensure the bed is stable and safe to use.

Maximum recommended weight is 220kg including mattress.