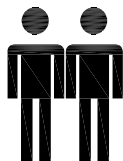


TENLEY 2 DRAWER BEDSIDE

ITEM CODE: 8314-WHT(8344)

45 MINS

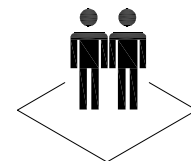
APPROXIMATE ASSEMBLY TIME



**2 PERSON
ASSEMBLY**

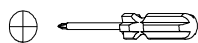
FLOOR AREA

1.2M X 1.6M

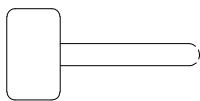


REQUIRED ASSEMBLY SPACE

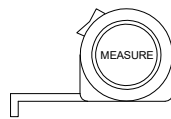
REQUIRED ASSEMBLY TOOLS



POZI SCREWDRIVER



HAMMER

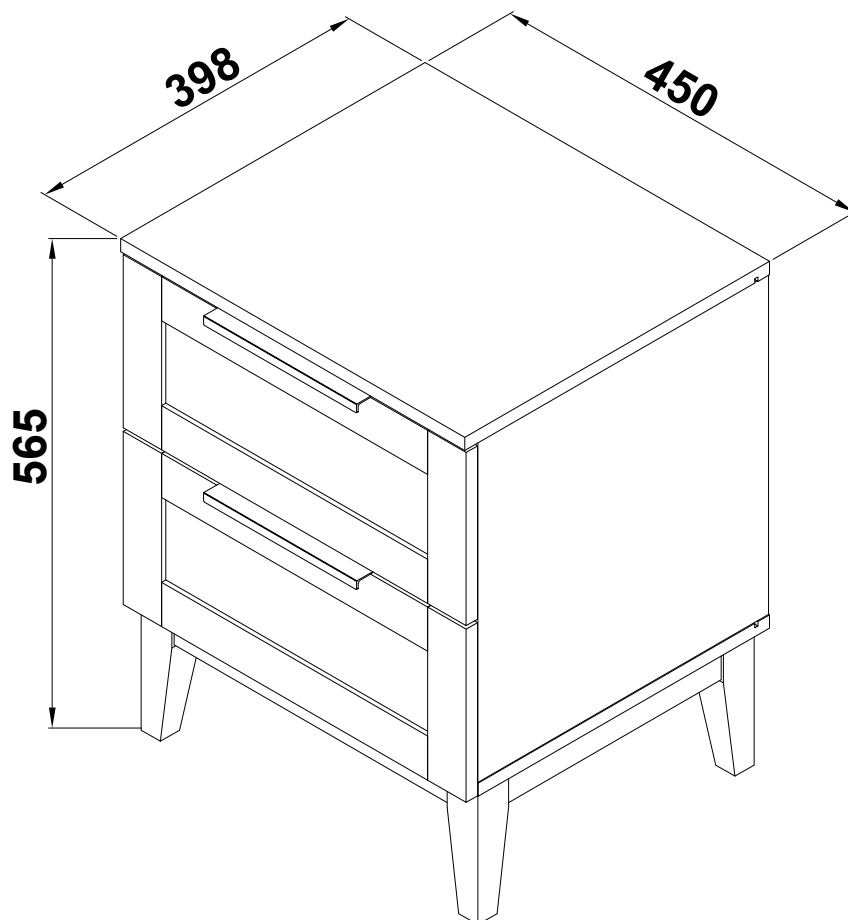


MEASURING TAPE



DRILL

ASSEMBLED DIMENSIONS



TENLEY 2 DRAWER BEDSIDE

ITEM CODE: 8314-WHT(8344)

Important :

Please read these instructions carefully before use and keep for future reference.

- This product is intended for domestic use only and is not designed for commercial use.
- DO NOT assembly / use this item if any components are missing or damaged. Please contact the retailer straight away.
- DO NOT attempt to modify your item as this will void your warranty. Please call the retailer for required parts.
- Assembly to be carried out by a competent adult only.
- During assembly children should be kept away from the product due to possible risk of injury.

Please refer to separate Warranty Certificate for full warranty details and information.

Tips before you start :

- Please check that all parts are present before you start the assembly of your furniture. Please do not start to build your item if any parts are damaged as this may void your warranty. Please contact the retailer immediately so they can advise what you should do.
- For ease and speed of assembly, we recommend that before you commence each step of the assembly, that you identify all the parts required for that step.

TENLEY 2 DRAWER BEDSIDE

ITEM CODE: 8314-WHT(8344)

Assembly Tips:

1. For larger items, please ensure that you have sufficient space and people (as indicated on page 1) to assembly your product safely.
2. We recommend that, where possible, all items are assembled near to the area in which they will be placed in use, to avoid moving the product unnecessarily once assembled.
3. For the protection of your furniture, we recommend that the product is placed on a protected surface during assembly to prevent any damage.
4. During assembly please take care not to over-tighten any fittings, as this may damage the product.
5. Always place the product on a flat, steady and stable surface.
6. Do not stand on the product. Do not use the product as a stepladder.
7. This product is intended for indoor, household use only as it is non industrial product.
8. Use of power tools is NOT recommended for assembling this product as over-tightening may occur and damage the product.
9. Due to the laminated finish of this item and the materials used to construct it, when first opening the carton and assembling a slight smell may be noticeable. This will dissipate over a short period of time. Please contact the retailer you purchased this item from if you have any concerns.
10. Please use caution and care when lifting the product to avoid personal injury and / or damage.

Care and Maintenance of your Furniture

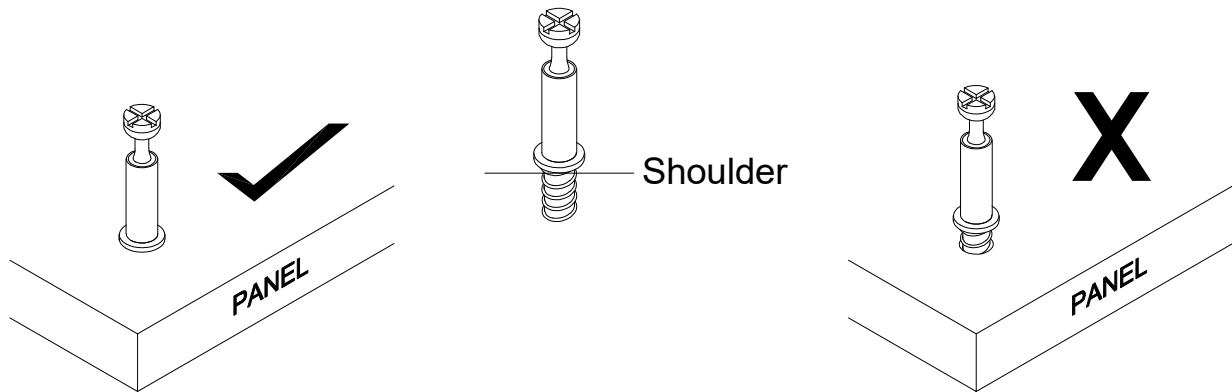
- Please periodically check all fittings and re-tighten as necessary.
- To clean your item, please use a damp cloth and wipe clean. Never use harsh chemicals or strong detergents as this could damage the finish of your product.
- Never allow any kind of liquid to remain on your furniture. Absorption can cause wood to warp or finishes to de-laminate.
- Please do not place hot / cold item (e.g. hot drinks) directly on to the surface.
- Do not pull or drag your item. Ensure its evenly supported and lifted while moving it.
- Avoid placing sharp objects on the surface as this may scratch the surface. It is recommended to use trivets or coasters under flowerpots, vases and cups etc to avoid damage to your item.

TENLEY 2 DRAWER BEDSIDE

ITEM CODE: 8314-WHT(8344)

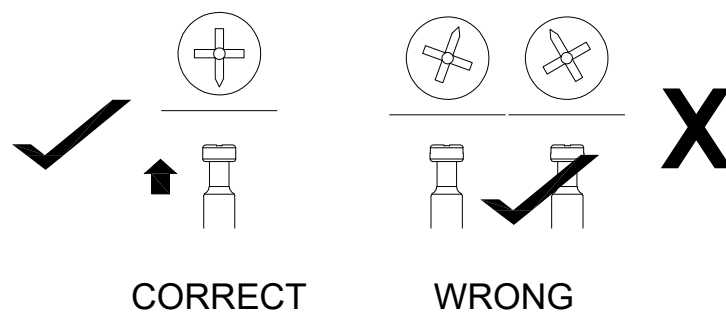
Tips before you start:

QUICKFIT



Tighten quickfit until shoulder is flush with panel. Do not overtighten or undertighten.

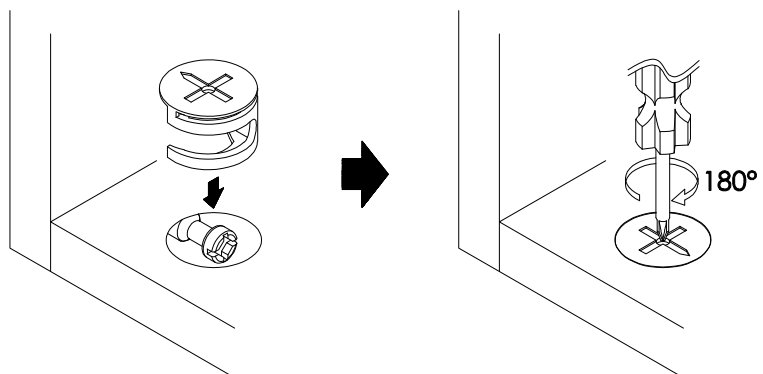
CAM LOCK



When fitting cam lock, ensure starting position is correct before you insert connecting quickfit.

Quickfit head should be in the centre of the cam lock when the two panels are joined.

Cam lock should be inserted before quickfit.



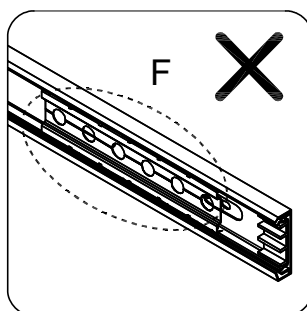
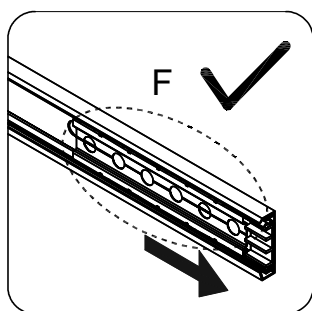
Turn camlock clockwise to tighten.

TENLEY 2 DRAWER BEDSIDE

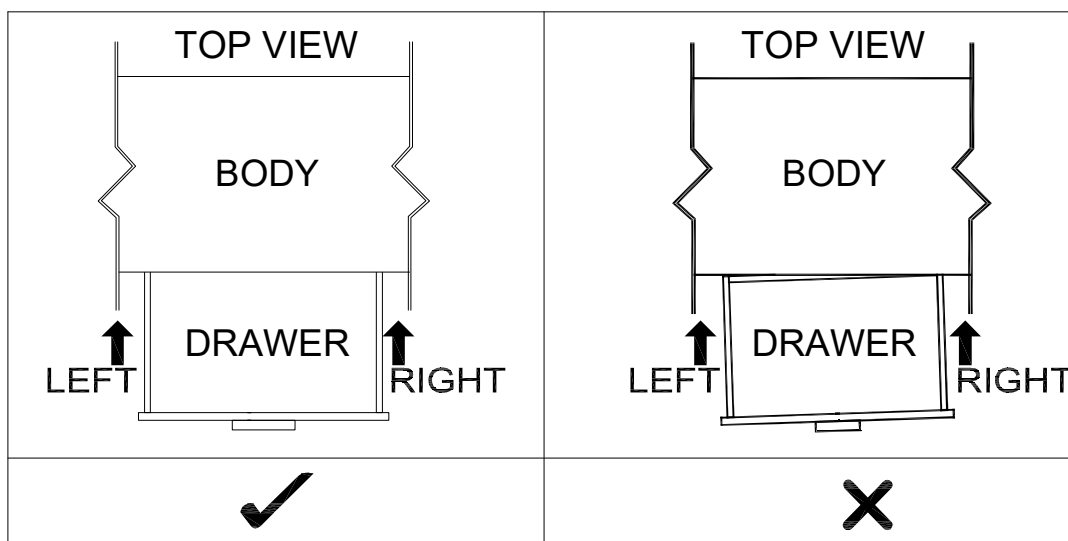
ITEM CODE: 8314-WHT(8344)

Drawer Installation Guide

Before you insert the drawers into the frame, please ensure that the ball bearing sliders (on the assembled unit) have been placed to the front of the main unit. If the bearings are in the middle of the slider it will be difficult to install the drawers correctly.



Insert the drawer into the assembled frame as show below. Keep each side of the drawer straight and aligned correctly to the sliders on the assembled frame.



Gently start to push the drawer into position, the drawer sliders should start to connect with the sliders on the assembled frame. Once connected apply even pressure to each side and gently push the drawer into place.

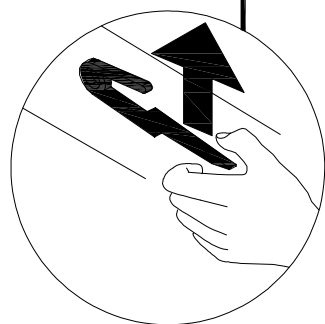
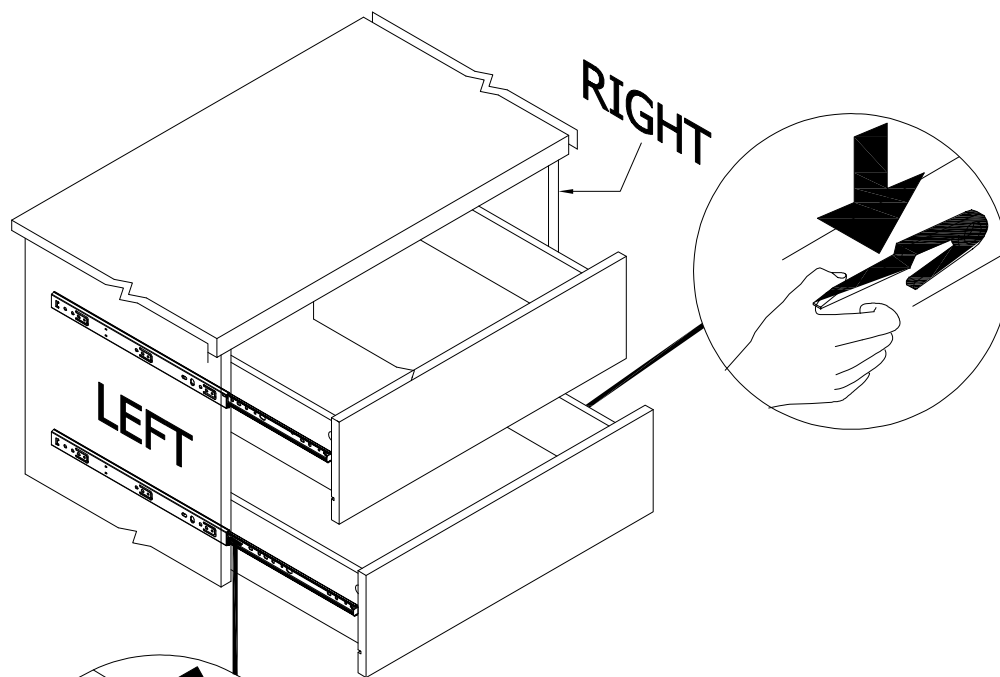
The ball bearings should catch the drawer sliders, once they do you may find that you need to apply more pressure, this is perfectly normal as long as you are keeping the drawers straight, push the drawers 100% of the way in. Finally slide drawer in and out a few times to ensure the ball bearings are running smoothly in the slider. Installation is complete.

At any stage throughout the install process you feel like the drawers are not evenly sliding into the assembled frame, please remove the drawers before they start to attach to the bearing slider and start the install steps again.

TENLEY 2 DRAWER BEDSIDE

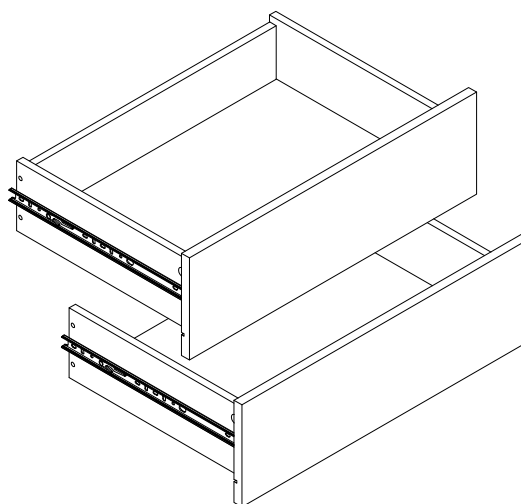
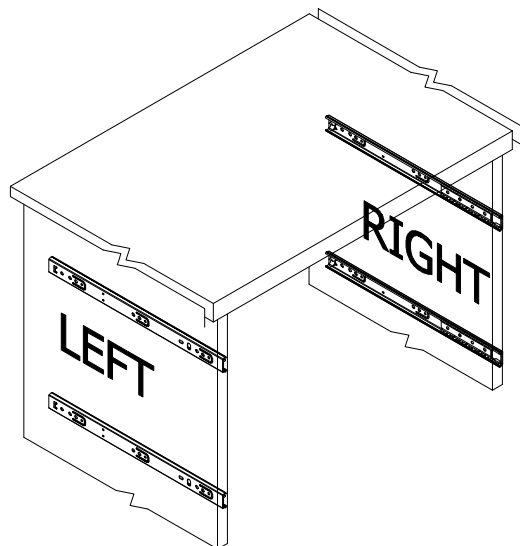
ITEM CODE: 8314-WHT(8344)

NOTE:



⚠ CAUTION

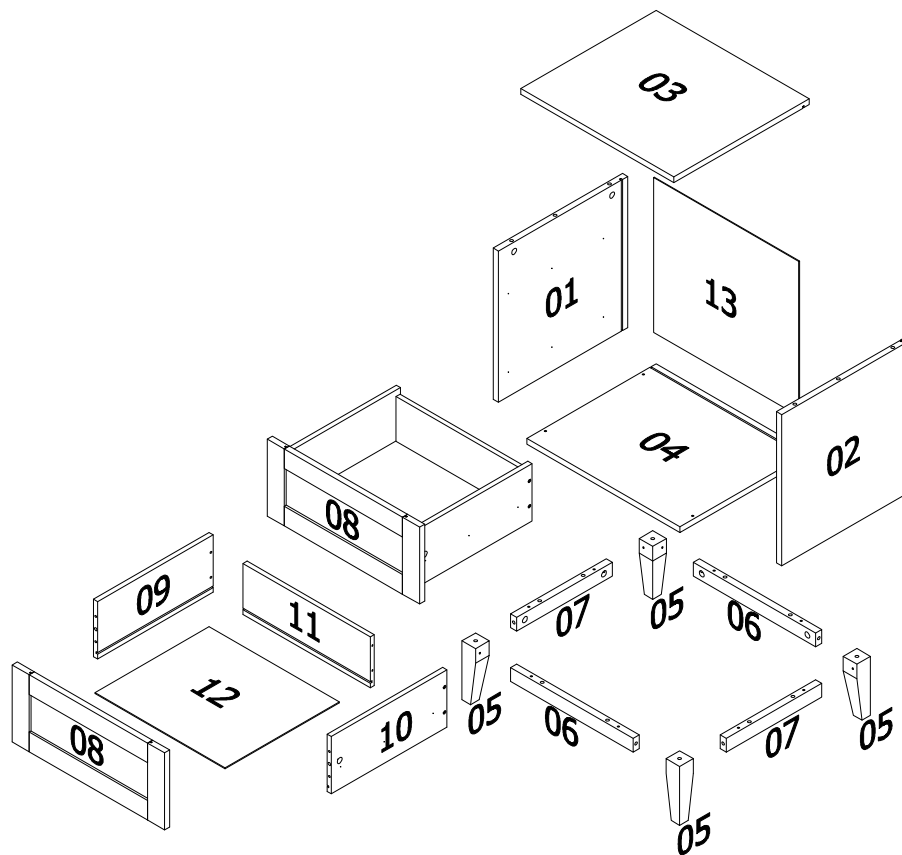
When removing the drawer, be careful to tip up the safety release tab on the left side, and tip it down on the right side to remove the drawer from the body as shown.



TENLEY 2 DRAWER BEDSIDE

ITEM CODE: 8314-WHT(8344)

PART LIST:



NO.	PART NAME	QTY
1	SIDE PANEL (LEFT)	1
2	SIDE PANEL (RIGHT)	1
3	TOP PANEL	1
4	BOTTOM PANEL	1
5	WOODEN LEG	4
6	FRONT & REAR BOTTOM PANEL	2
7	LEFT & RIGHT BOTTOM PANEL	2

NO.	PART NAME	QTY
8	DRAWER FRONT	2
9	DRAWER SIDE (LEFT)	2
10	DRAWER SIDE (RIGHT)	2
11	DRAWER BACK	2
12	DRAWER BOTTOM	2
13	BACK PANEL	1

TENLEY 2 DRAWER BEDSIDE

ITEM CODE: 8314-WHT(8344)

HARDWARE LIST

(A) X24



CSK SCREW
M3.5 X 12MM

(B) X4



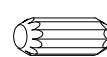
CSK SCREW
M3.5 X 15MM

(C) X20



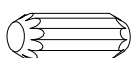
JCBC(W) SCREW
M6 X 40MM

(D) X8



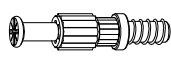
WOOD DOWEL
Ø6 X 20MM

(E) X14



WOOD DOWEL
Ø8 X 25MM

(F) X16



9047975 BOLT DOWEL
DU319 20X5MM

(G) X12



9064684 CAM 15/15

(H) X4



9116018 CAM 15/12

(J) X2



MTL U SHAPE HANDLE
35X200MM=(1PCS) WITH
SCREW (M3.5 X
15MM)=(2PCS)

(Z1) X2

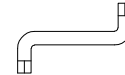


(Z2) X2



METAL DRAWER GLIDE W / STOPPER
(350MM) - 2 EXTENTION

(K) X1

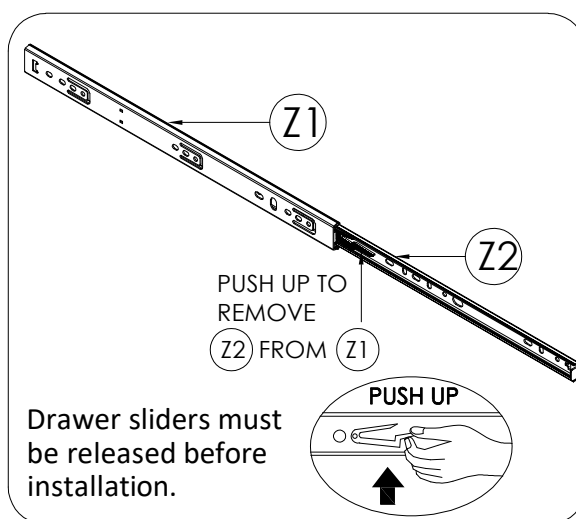


ALLEN KEY M4

(L) X4



BACKPLY STOPPER



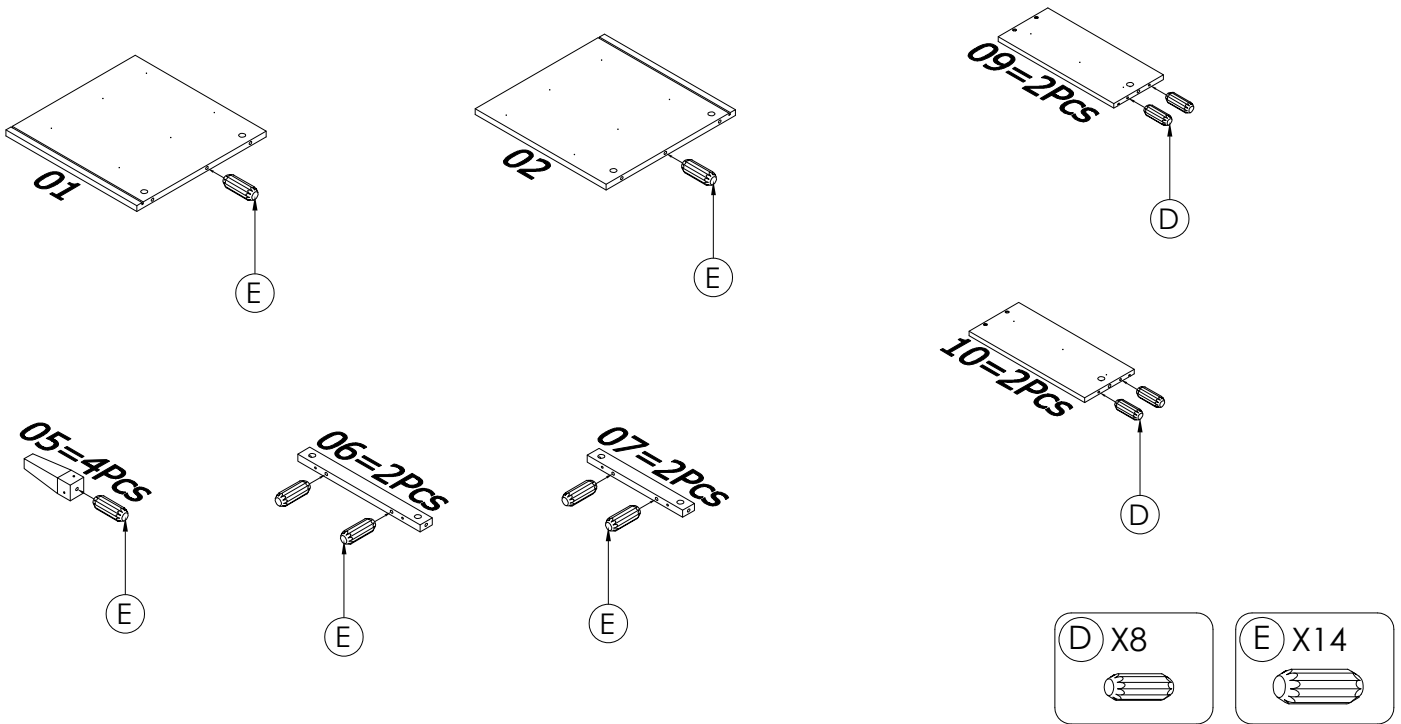
Z1 & Z2

TENLEY 2 DRAWER BEDSIDE

ITEM CODE: 8314-WHT(8344)

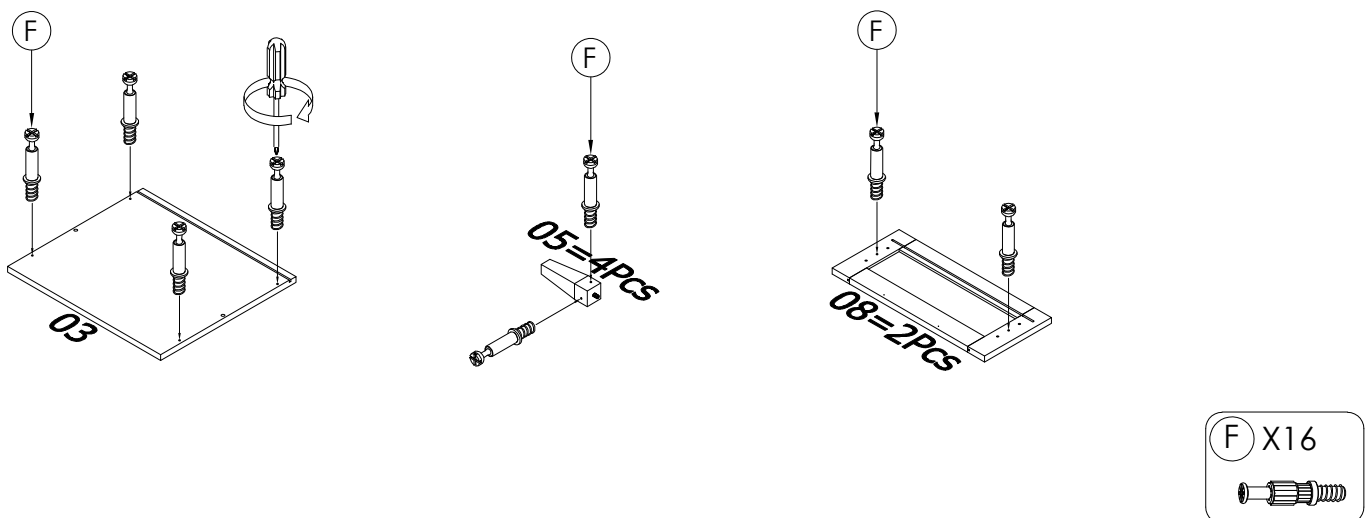
STEP 1

Insert dowel (D) into panels (9 & 10) and insert dowel (E) into panels (1, 2, 5, 6 & 7) as shown.



STEP 2

Take all panels (3, 5 & 8), using a phillips head screw driver CAM PINS (F) as shown.

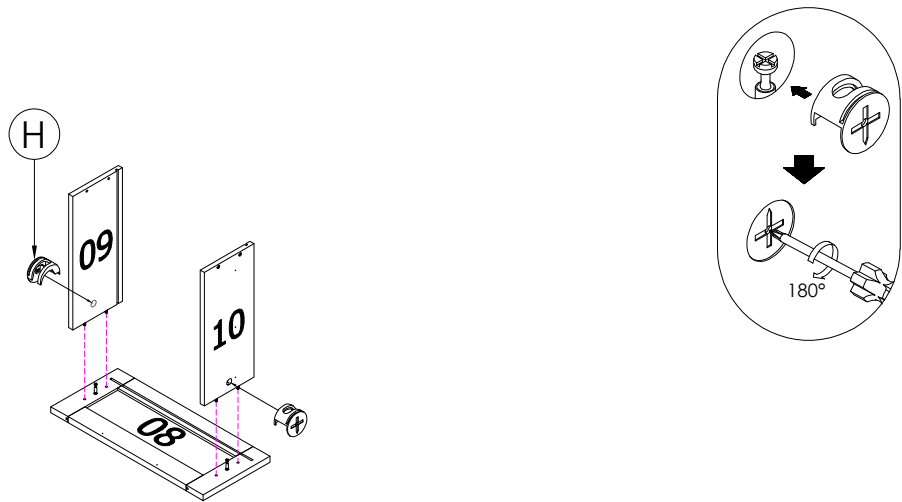


TENLEY 2 DRAWER BEDSIDE

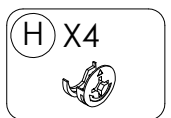
ITEM CODE: 8314-WHT(8344)

STEP 3

Attach drawer side (9 & 10) to drawer front (8) using CAM LOCKS (H) as shown.

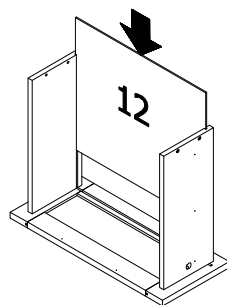


X2



STEP 4

Slot the drawer bottom (12) into the drawer body.



X2

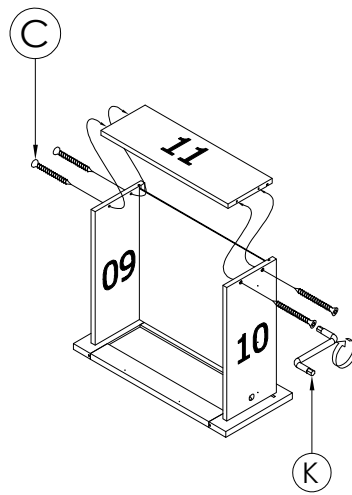
TENLEY 2 DRAWER BEDSIDE

ITEM CODE: 8314-WHT(8344)

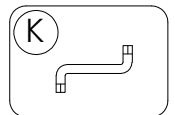
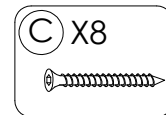
STEP 5

Attach drawer back (11) to drawer side (9 & 10) using 40mm Screw (C) as shown.

Note: Its important not to over-tighten screws on the drawer sides until all sides are aligned and the drawer base is inserted. Tighten screws fully once base is inserted correctly. Always keep drawer flat in this step so the groove for base will align correctly.

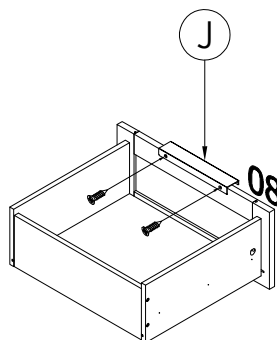


X2

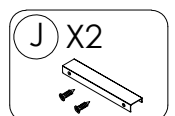


STEP 6

Affix the handle (J) to the drawer (8) with the 15mm screw.



X2

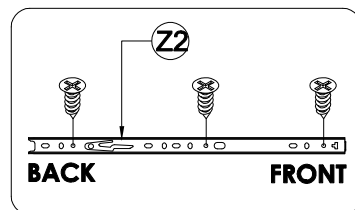
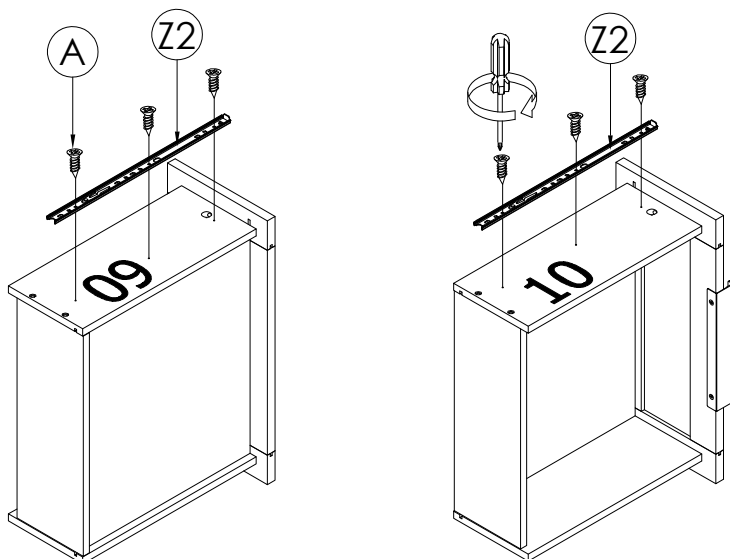


TENLEY 2 DRAWER BEDSIDE

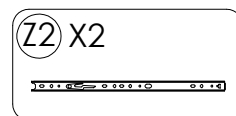
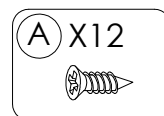
ITEM CODE: 8314-WHT(8344)

STEP 7

Attach the drawer glide insert (Z2) to the drawer side (9 & 10) with the 12mm screw (A), ensuring the correct holes as shown in diagram.

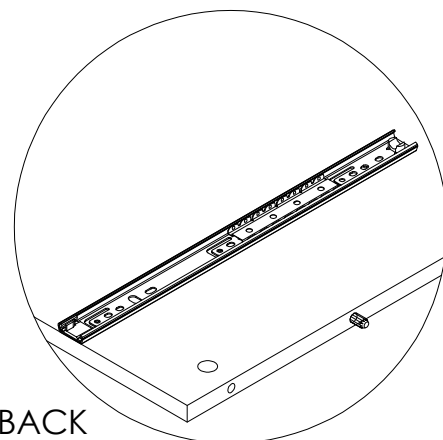
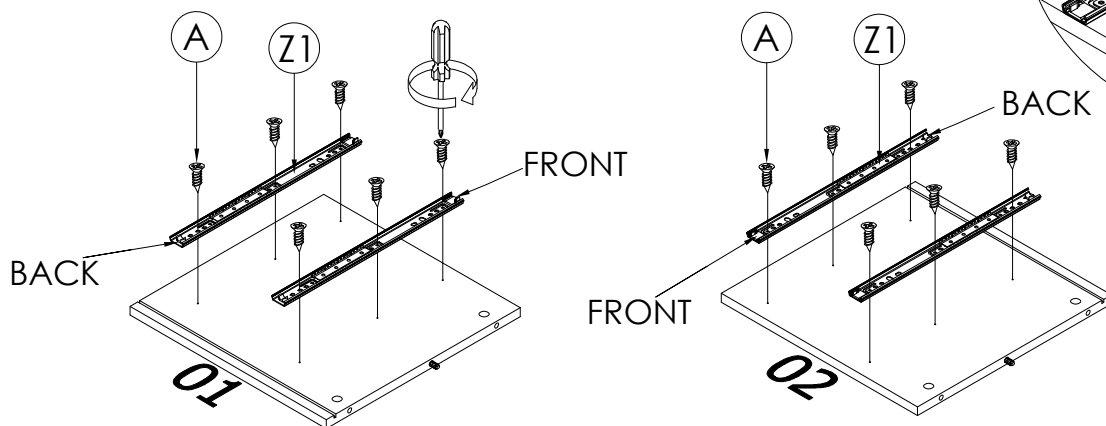


X2

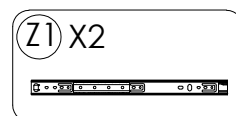
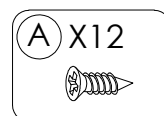
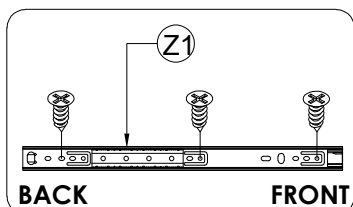


STEP 8

Attach drawer glide casing (Z1) to panels (1 & 2) using screw 12mm (A) as shown.



Note: Once runners are in place the side panel should look like this.

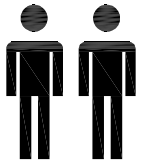
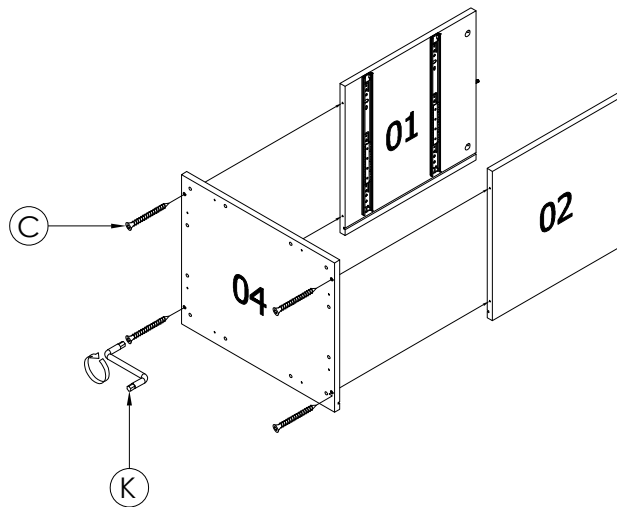
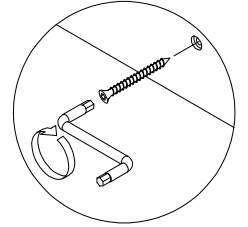


TENLEY 2 DRAWER BEDSIDE

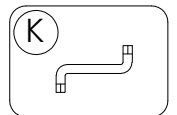
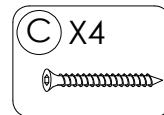
ITEM CODE: 8314-WHT(8344)

STEP 9

Attach panel (4) to panels (1 & 2) using 40mm Screw (C) as shown.



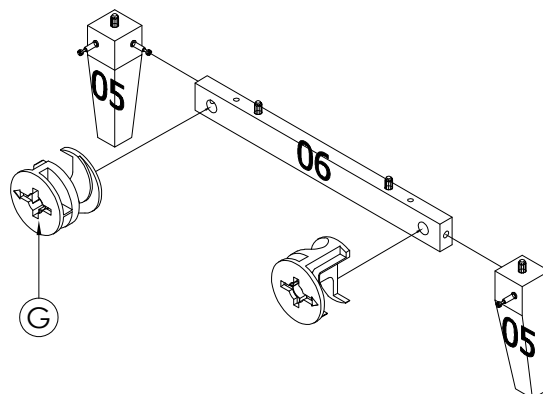
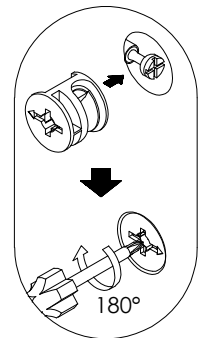
2 PERSON



STEP 10

Attach panel (5) to panel (6) using cam locks (G) as shown.

Tip: Cams should be pushed deeply into the hole, they don't sit flush with the panel, this will ensure correct placement over the quickfit screw before they are tightened.



X2



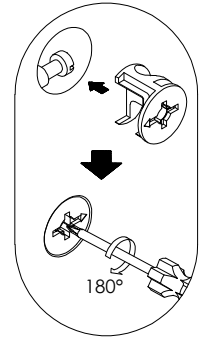
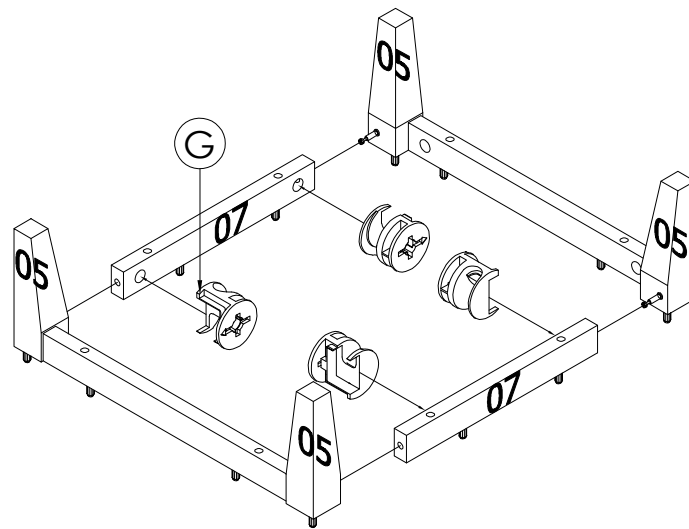
TENLEY 2 DRAWER BEDSIDE

ITEM CODE: 8314-WHT(8344)

STEP 11

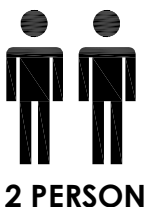
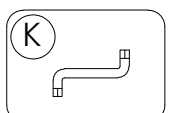
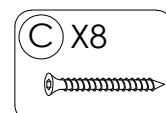
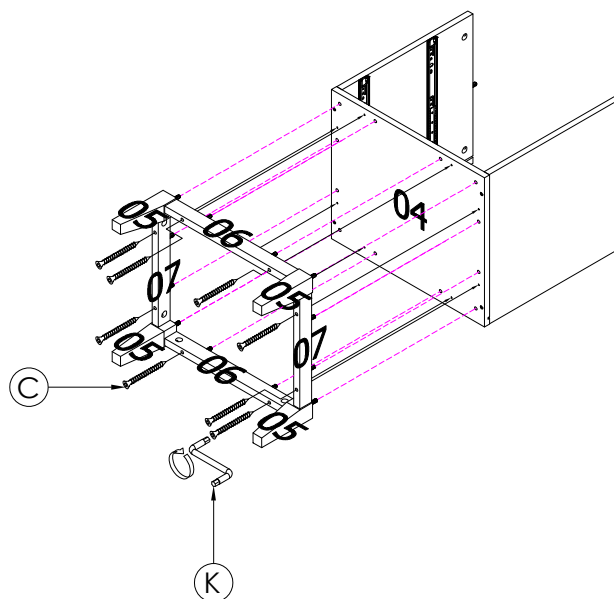
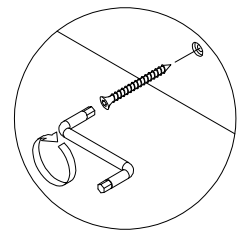
Attach panel (7) to panel (5) using cam locks (G) as shown.

Note: Do not overtighten the cams as it may cause damage to the legs.



STEP 12

Attach panels (5, 6 & 7) to panel (4) using 40mm Screw (C) as shown.



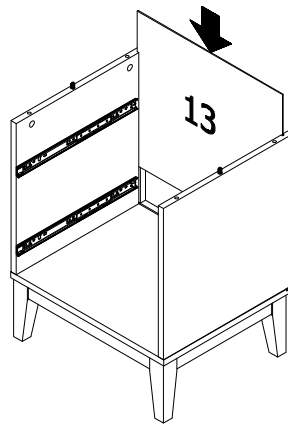
2 PERSON

TENLEY 2 DRAWER BEDSIDE

ITEM CODE: 8314-WHT(8344)

STEP 13

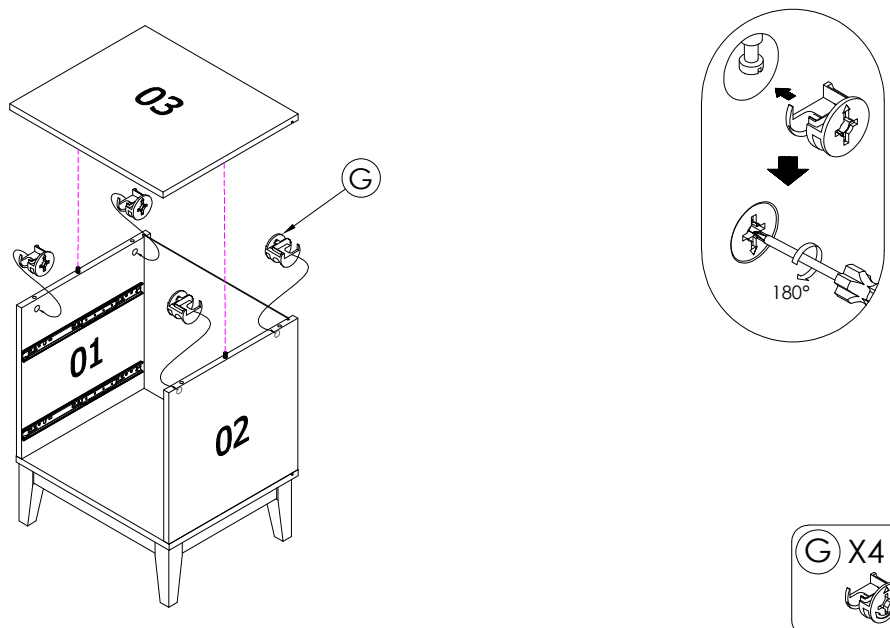
Slot back panel (13) to frame.



STEP 14

Attach top panel (3) to body frame. Fasten into place using CAM LOCKS (G) as shown.

Note: Please always ensure cam's are correctly locked to secure and support your item. Refer to Camlock guidelines at the beginning of this manual for further information.

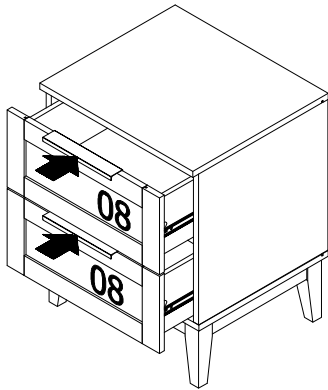


TENLEY 2 DRAWER BEDSIDE

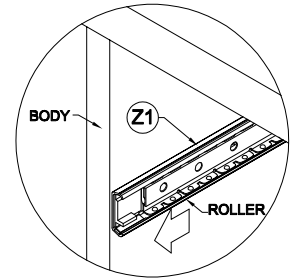
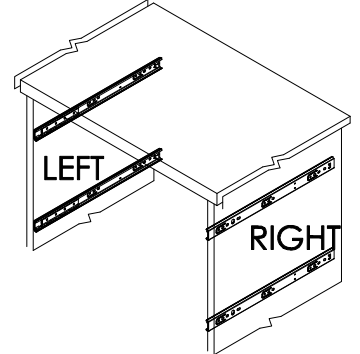
ITEM CODE: 8314-WHT(8344)

STEP 15

Insert the completed drawer boxes into the frame.

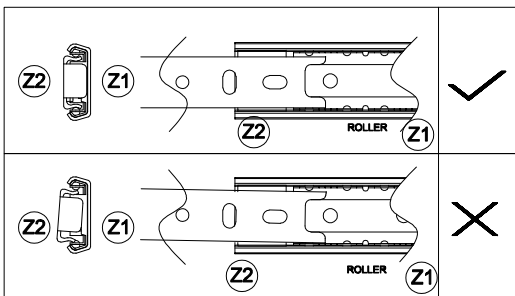
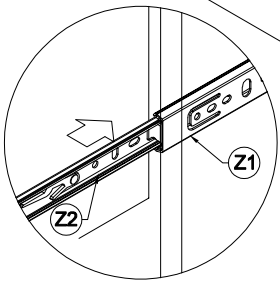
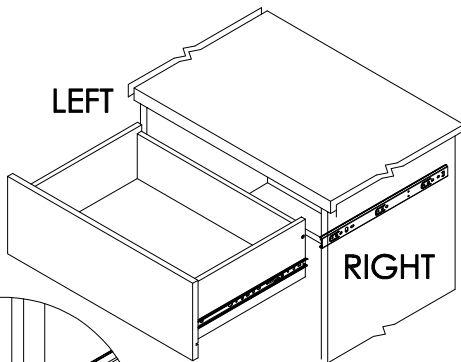


A



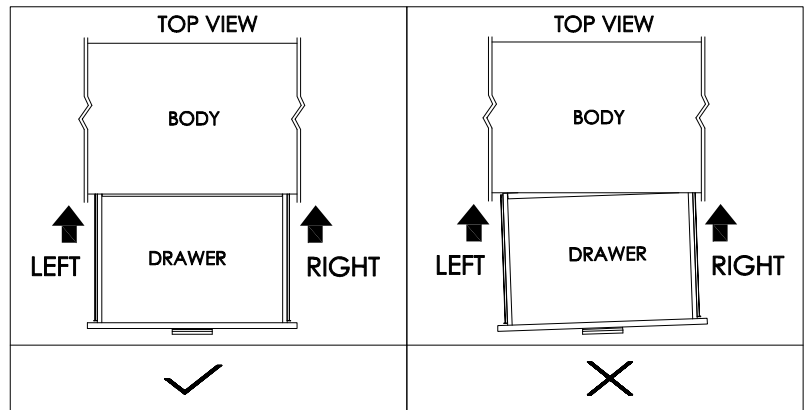
- PUSH THE ROLLER OF Z1 TO THE FRONT SIDE OF THE BODY.

B



- ALIGN Z2 ON LEFT & RIGHT TO Z1 AT THE CORRECT POSITION.

C



- PUSH IN LEFT & RIGHT SIDE OF THE DRAWER INTO THE BODY SIMULTANEOUSLY.
- WHEN THE DRAWER IS PUSHED IN HALF WAY, THE STOPPER ON Z2 WILL BE ENGAGED INTO Z1. THIS WILL CAUSE THE PUSHING A BIT TIGHT. (PULL OUT THE DRAWER A LITTLE BIT AND SLOWLY PUSH IN THE DRAWER AGAIN TO CHECK WHETHER THE DRAWER IS STUCK / THE DRAWER GLIDE IS INSTALLED CORRECTLY.)
- DO NOT PUSH IN THE DRAWER IF THE DRAWER IS STUCK OR CANNOT BE PUSHED IN SMOOTHLY. TAKE OUT THE DRAWER AND REPEAT STEP 1 & 2.

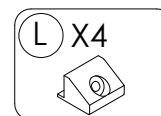
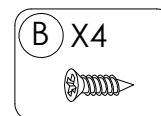
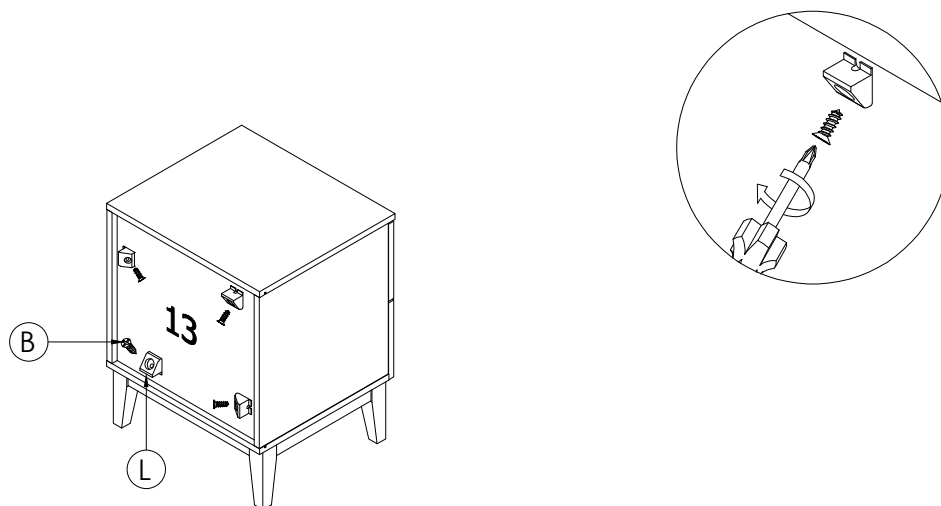
TENLEY 2 DRAWER BEDSIDE

ITEM CODE: 8314-WHT(8344)

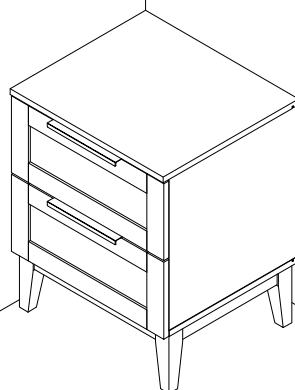
STEP 16

Attach backply stopper (L) to back panel (13) as shown using 15mm screw (B).

Note: It is really important to attach the backply stoppers correctly as this will help with the overall structure and stability of the item.



ASSEMBLY IS COMPELETE





MEUBILAIR
DIRECT IMPORTS

Warranty Certificate

Congratulations! You have made an excellent choice of this quality product. Our commitment to quality also includes our service. Should you, contrary to expectations, experience defects due to manufacturing faults, **Meubilair Direct Imports** will provide you with a warranty against defects as follows:

Warranty

The product is guaranteed to be free from defects in workmanship and parts for a period of 12 months from the date of purchase. Defects that occur within this warranty period, under normal use and care, will be repaired, replaced or refunded at our discretion. The benefits conferred by this warranty are in addition to all rights and remedies in respect of the product that the consumer has under the Competition and

Consumer Act 2010 and similar state and territory laws.

Our goods come with guarantees that cannot be excluded under the Australian Consumer Law. You are entitled to a replacement or refund for a major failure and for compensation for any other reasonably foreseeable loss or damage. You are also entitled to have the goods repaired or replaced if the goods fail to be of acceptable quality and the failure does not amount to a major failure.

Proof of Purchase

This warranty is valid for the original purchase and is not transferable. Please keep your purchase docket, tax invoice or receipt as the best proof of purchase, and as proof of date on which the purchase was made.

Normal Wear and Tear

This warranty does not cover normal wear and tear to the products or parts.

Exclusions

This warranty does not cover:

- Any defects caused by an accident, misuse, abuse, improper installation or operation, lack of reasonable care, unauthorized modification, loss of parts, tampering or attempted repair by a person not authorized by the distributor.
- Any product that has not been installed, operated or maintained in accordance with the manufacturers' operating instructions provided with the product.
- Any product that has been used for purposes other than domestic use.
- Any damage caused by improper power input or improper cable connection.

MEUBILAIR DIRECT IMPORTS PTY LTD

Customer Service

Email: cs@meubilair.com.au

Address: Unit 4, 16 Hickeys Lane, Penrith, NSW, 2750

Opening Hours 9:00 am - 4:00pm (Mon-Fri)

When making a return, please ensure the product is properly packaged, so as to ensure that no damage occurs to the product during transit.

Please provide the original or a copy of the proof of purchase. Also please make sure you have included an explanation of the problem.

Please note that the costs of making a warranty claim, including any return postage, will be covered by the supplier identified above.

Please note upon receiving your warranty claim, the supplier will send, via the post or email, a repair and refurbished goods or parts notice.

Please provide your email address and advise the supplier, if you wish to obtain a repair and refurbished goods or parts notice via email.

AFTER SALES SUPPORT

EMAIL : cs@meubilair.com.au

Product code: 8314-WHT(8344)

08/2024





MEUBILAIR
DIRECT IMPORTS

Warranty Certificate

PRODUCT NAME **TENLEY 2 DRAWER BEDSIDE**

BRAND NAME

PRODUCT CODE **8314-WHT(8344)**

NAME

ADDRESS

EMAIL

DAYTIME TEL NO

DATE OF PURCHASE

SERIAL NUMBER

We recommend that you attach a photocopy of your receipt, showing the date of purchase, to this Warranty certificate and **keep for your reference.**

In the event of a product fault, please email the Customer Service team. Please ensure that you include the product details (as shown on the card) at hand so that we are able to respond as quickly and efficiently as possible.

MEUBILAIR DIRECT IMPORTS PTY LTD

Customer Service

Email: cs@meubilair.com.au

Address: Unit 4, 16 Hickeys Lane, Penrith, NSW, 2750

Opening Hours 9:00 am - 4:00pm (Mon-Fri)

Phone Number: +61 2 47015363

AFTER SALES SUPPORT

Product code: 8314-WHT(8344)

08/2024

