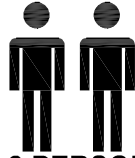


TENLEY 3 DOOR 2 DRAWER SIDEBOARD

ITEM CODE: 5402-WHT

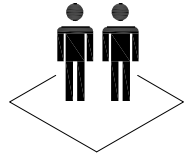
2.5 HR

APPROXIMATE ASSEMBLY TIME



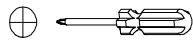
**2 PERSON
ASSEMBLY**

FLOOR AREA
1.9M X 2.0M

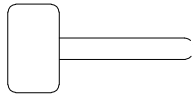


REQUIRED ASSEMBLY SPACE

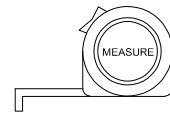
REQUIRED ASSEMBLY TOOLS



POZI SCREWDRIVER



HAMMER

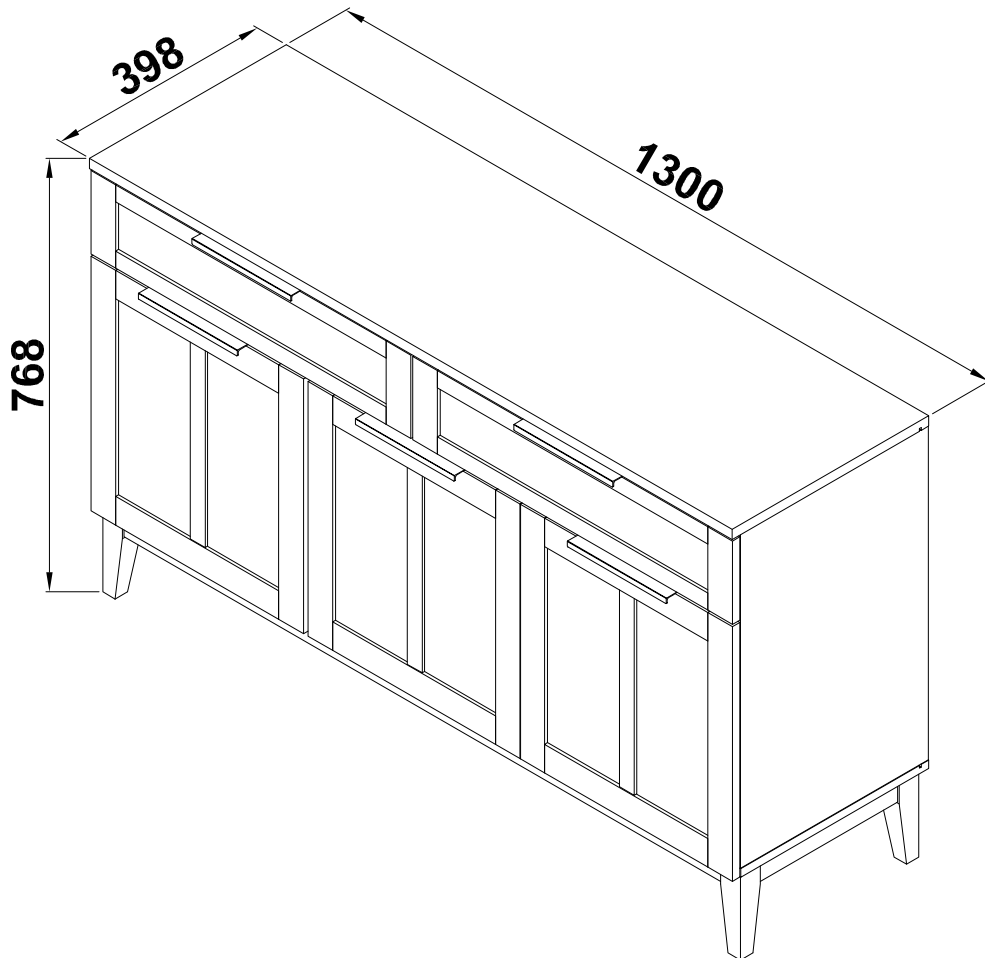


MEASURING TAPE



DRILL

ASSEMBLED DIMENSIONS



TENLEY 3 DOOR 2 DRAWER SIDEBOARD

ITEM CODE: 5402-WHT

Important :

Please read these instructions carefully before use and keep for future reference.

- This product is intended for domestic use only and is not designed for commercial use.
- DO NOT assembly / use this item if any components are missing or damaged. Please contact the retailer straight away.
- DO NOT attempt to modify your item as this will void your warranty. Please call the retailer for required parts.
- Assembly to be carried out by a competent adult only.
- During assembly children should be kept away from the product due to possible risk of injury.

Please refer to separate Warranty Certificate for full warranty details and information.

Tips before you start :

- Please check that all parts are present before you start the assembly of your furniture. Please do not start to build your item if any parts are damaged as this may void your warranty. Please contact the retailer immediately so they can advise what you should do.
- For ease and speed of assembly, we recommend that before you commence each step of the assembly, that you identify all the parts required for that step.

TENLEY 3 DOOR 2 DRAWER SIDEBOARD

ITEM CODE: 5402-WHT

Assembly Tips:

1. For larger items, please ensure that you have sufficient space and people (as indicated on page 1) to assembly your product safely.
2. We recommend that, where possible, all items are assembled near to the area in which they will be placed in use, to avoid moving the product unnecessarily once assembled.
3. For the protection of your furniture, we recommend that the product is placed on a protected surface during assembly to prevent any damage.
4. During assembly please take care not to over-tighten any fittings, as this may damage the product.
5. Always place the product on a flat, steady and stable surface.
6. Do not stand on the product. Do not use the product as a stepladder.
7. This product is intended for indoor, household use only as it is non industrial product.
8. Use of power tools is NOT recommended for assembling this product as over-tightening may occur and damage the product.
9. Due to the laminated finish of this item and the materials used to construct it, when first opening the carton and assembling a slight smell may be noticeable. This will dissipate over a short period of time. Please contact the retailer you purchased this item from if you have any concerns.
10. Please use caution and care when lifting the product to avoid personal injury and / or damage.

Care and Maintenance of your Furniture

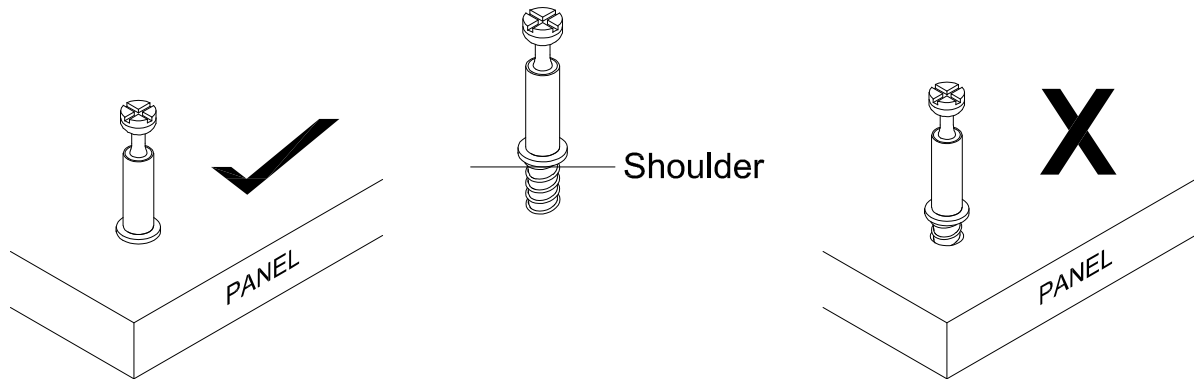
- Please periodically check all fittings and re-tighten as necessary.
- To clean your item, please use a damp cloth and wipe clean. Never use harsh chemicals or strong detergents as this could damage the finish of your product.
- Never allow any kind of liquid to remain on your furniture. Absorption can cause wood to warp or finishes to de-laminate.
- Please do not place hot / cold item (e.g. hot drinks) directly on to the surface.
- Do not pull or drag your item. Ensure its evenly supported and lifted while moving it.
- Avoid placing sharp objects on the surface as this may scratch the surface. It is recommended to use trivets or coasters under flowerpots, vases and cups etc to avoid damage to your item.

TENLEY 3 DOOR 2 DRAWER SIDEBOARD

ITEM CODE: 5402-WHT

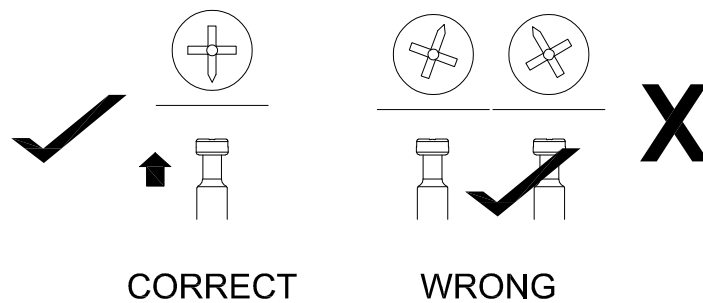
Tips before you start:

QUICKFIT



Tighten quickfit until shoulder is flush with panel. Do not overtighten or undertighten.

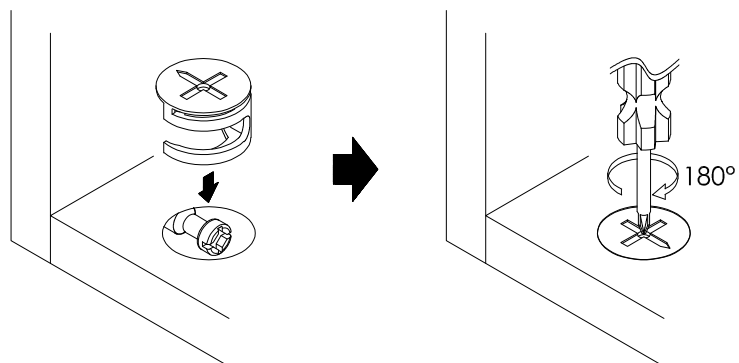
CAM LOCK



When fitting cam lock, ensure starting position is correct before you insert connecting quickfit.

Quickfit head should be in the centre of the cam lock when the two panels are joined.

Cam lock should be inserted before quickfit.



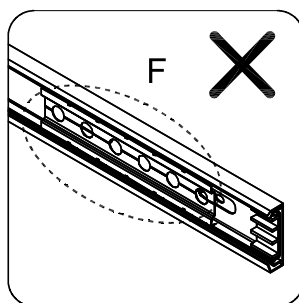
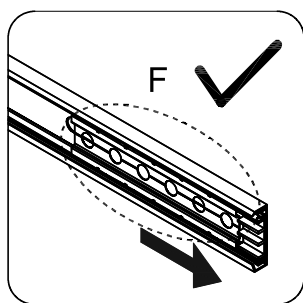
Turn camlock clockwise to tighten.

TENLEY 3 DOOR 2 DRAWER SIDEBOARD

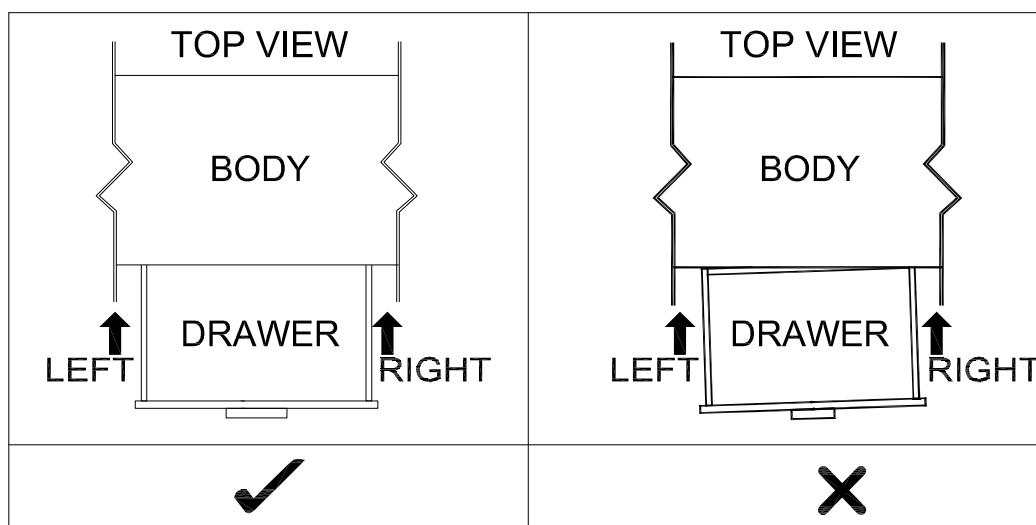
ITEM CODE: 5402-WHT

Drawer Installation Guide

- Before you insert the drawers into the frame, please ensure that the ball bearing sliders (on the assembled unit) have been placed to the front of the main unit. If the bearings are in the middle of the slider it will be difficult to install the drawers correctly.



- Insert the drawer into the assembled frame as show below. Keep each side of the drawer straight and aligned correctly to the sliders on the assembled frame.

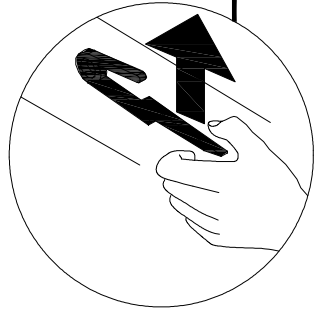
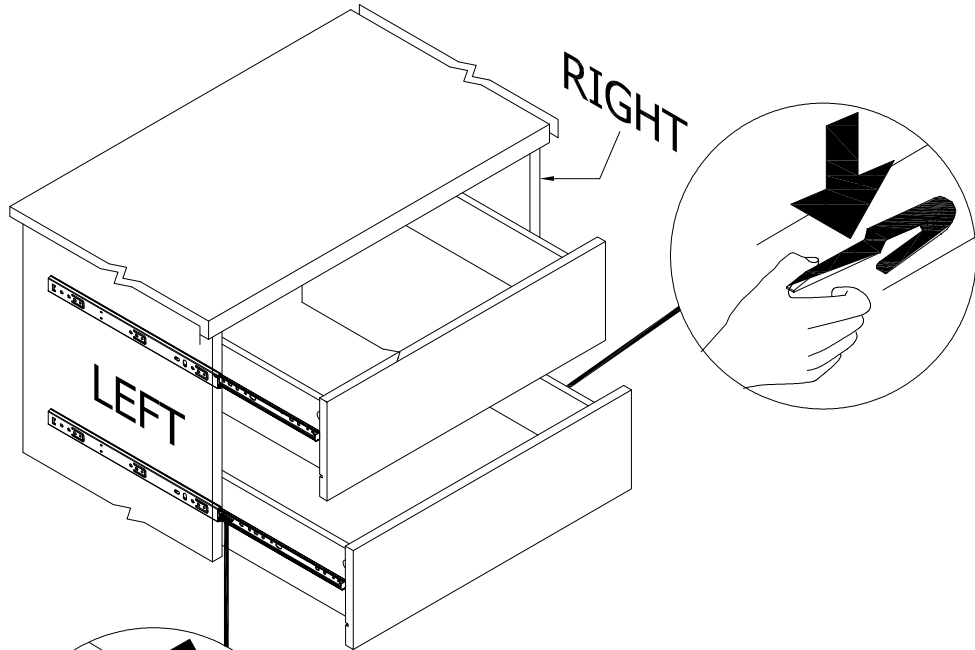


- Gently start to push the drawer into position, the drawer sliders should start to connect with the sliders on the assembled frame. Once connected apply even pressure to each side and gently push the drawer into place.
- The ball bearings should catch the drawer sliders, once they do you may find that you need to apply more pressure, this is perfectly normal as long as you are keeping the drawers straight, push the drawers 100% of the way in. Finally slide drawer in and out a few times to ensure the ball bearings are running smoothly in the slider. Installation is complete.
- At any stage throughout the install process you feel like the drawers are not evenly sliding into the assembled frame, please remove the drawers before they start to attach to the bearing slider and start the install steps again.

TENLEY 3 DOOR 2 DRAWER SIDEBOARD

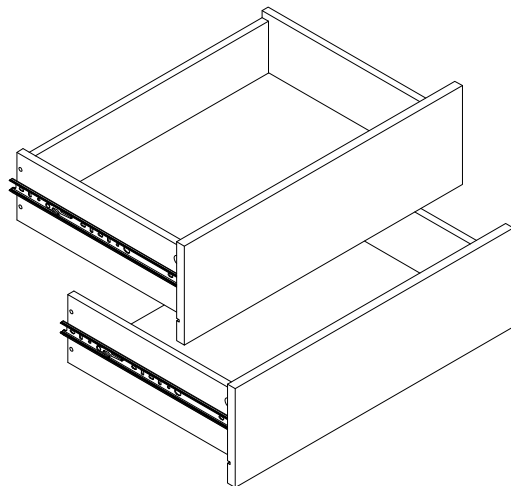
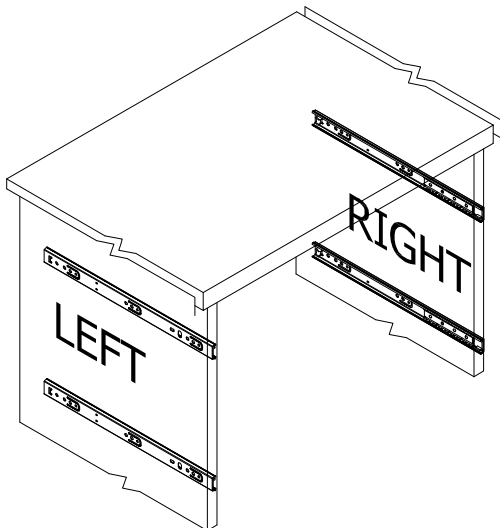
ITEM CODE: 5402-WHT

NOTE:



! CAUTION

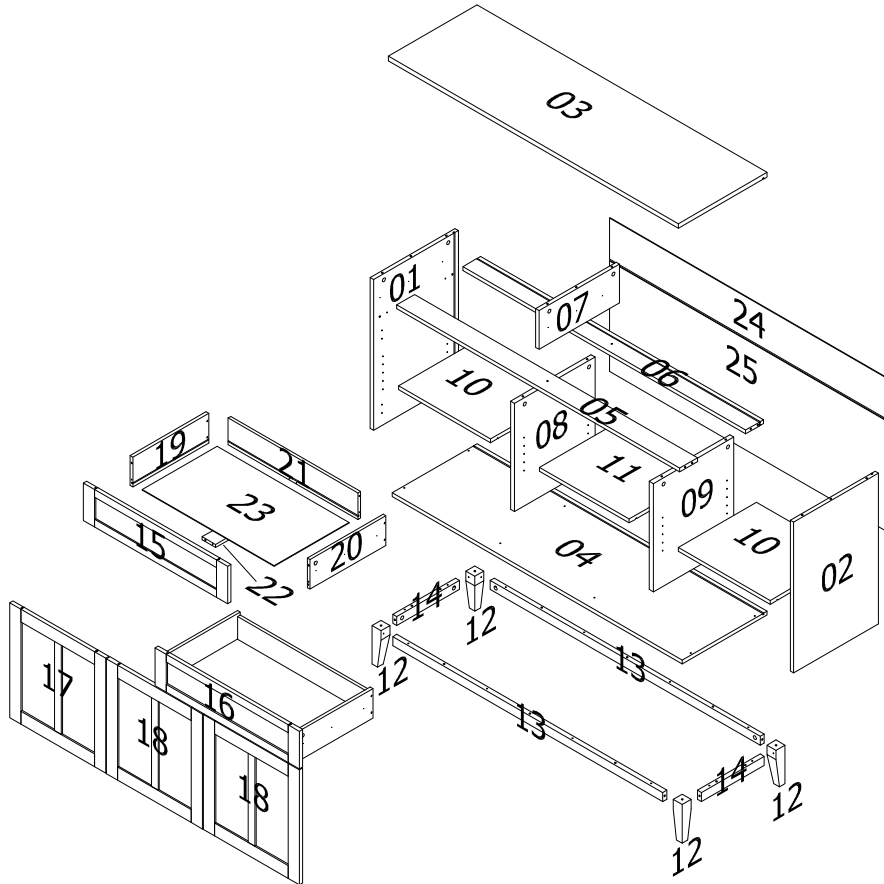
When removing the drawer, be careful to tip up the safety release tab on the left side, and tip it down on the right side to remove the drawer from the body as shown.



TENLEY 3 DOOR 2 DRAWER SIDEBOARD

ITEM CODE: 5402-WHT

PART LIST:


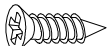
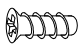
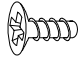
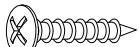
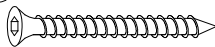

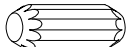
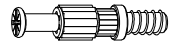
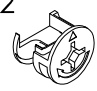

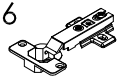



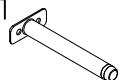
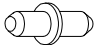
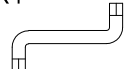




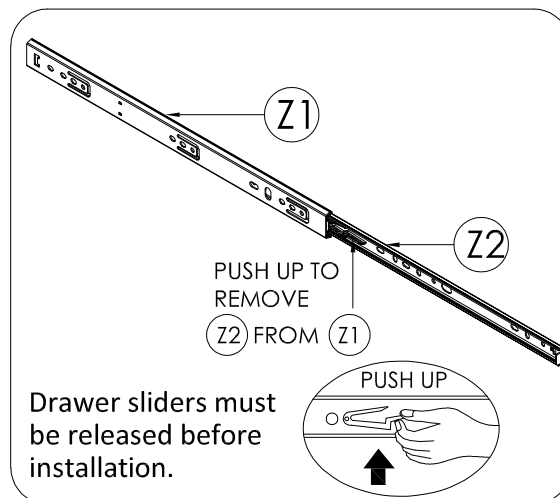
NO.	PART NAME	QTY	NO.	PART NAME	QTY
1	SIDE PANEL (LEFT)	1	14	LEFT & RIGHT BOTTOM PANEL	2
2	SIDE PANEL (RIGHT)	1	15	DRAWER PANEL (LEFT)	1
3	TOP PANEL	1	16	DRAWER PANEL (RIGHT)	1
4	BOTTOM PANEL	1	17	DOOR PANEL (LEFT)	1
5	CENTER RAIL PANEL (FRONT)	1	18	DOOR PANEL (RIGHT & CENTER)	2
6	CENTER RAIL PANEL (BACK)	1	19	DRAWER SIDE (LEFT)	2
7	CENTER PANEL	1	20	DRAWER SIDE (RIGHT)	2
8	DIVIDER PANEL (LEFT)	1	21	DRAWER BACK	2
9	DIVIDER PANEL (RIGHT)	1	22	DRAWER SUPPORT	2
10	ADJUSTABLE SHELF PANEL (LEFT & RIGHT)	2	23	DRAWER BOTTOM	2
11	ADJUSTABLE SHELF PANEL (CENTER)	1	24	BACK PANEL	1
12	WOODEN LEG	4	25	BACK PANEL	1
13	FRONT & REAR BOTTOM PANEL	2			

TENLEY 3 DOOR 2 DRAWER SIDEBOARD

ITEM CODE: 5402-WHT

HARDWARE LIST

<p>A X24</p>  <p>CSK SCREW M3.5 X 12MM</p>	<p>B X24</p>  <p>CSK SCREW M3.5 X 15MM</p>	<p>C X12</p>  <p>EURO SCREW M6 X 13MM</p>	<p>D X2</p>  <p>SCREW (HEAD 11MM) M6 X 13MM</p>
<p>E X2</p>  <p>TH CB SCREW M4 X 16MM (RB)</p>	<p>F X30</p>  <p>JCBC(W) SCREW M6 X 40MM</p>	<p>G X8</p>  <p>WOOD DOWEL Ø6 X 20MM</p>	<p>H X21</p>  <p>WOOD DOWEL Ø8 X 25MM</p>
<p>J X30</p>  <p>9047975 BOLT DOWEL DU319 20X5MM</p>	<p>K X22</p>  <p>9064684 CAM 15/15</p>	<p>L X8</p>  <p>9116018 CAM 15/12</p>	<p>M X6</p>  <p>METAL CONCEALED HINGES (5/8") W/SPRING</p>
<p>N X5</p>  <p>MTL U SHAPE HANDLE 35X200MM= (1PC) WITH SCREW (M3.5 X 15MM)=(2PC)</p>	<p>Z1 X4</p> 	<p>Z2 X4</p>  <p>METAL DRAWER GLIDE W / STOPPER (350MM) - 2 EXTENTION</p>	<p>P X1</p>  <p>T SHAPE METAL LEG (Ø19 X 145MM)</p>
<p>Q X12</p>  <p>METAL ADJUSTABLE SHELF STUD</p>	<p>R X1</p>  <p>ALLEN KEY M4</p>	<p>S X12</p>  <p>BACKPLY STOPPER</p>	<p>T X2</p>  <p>PP STRAP 12 X 150 X 1.2MM BLK 2 HOLE WITH EYELET</p>



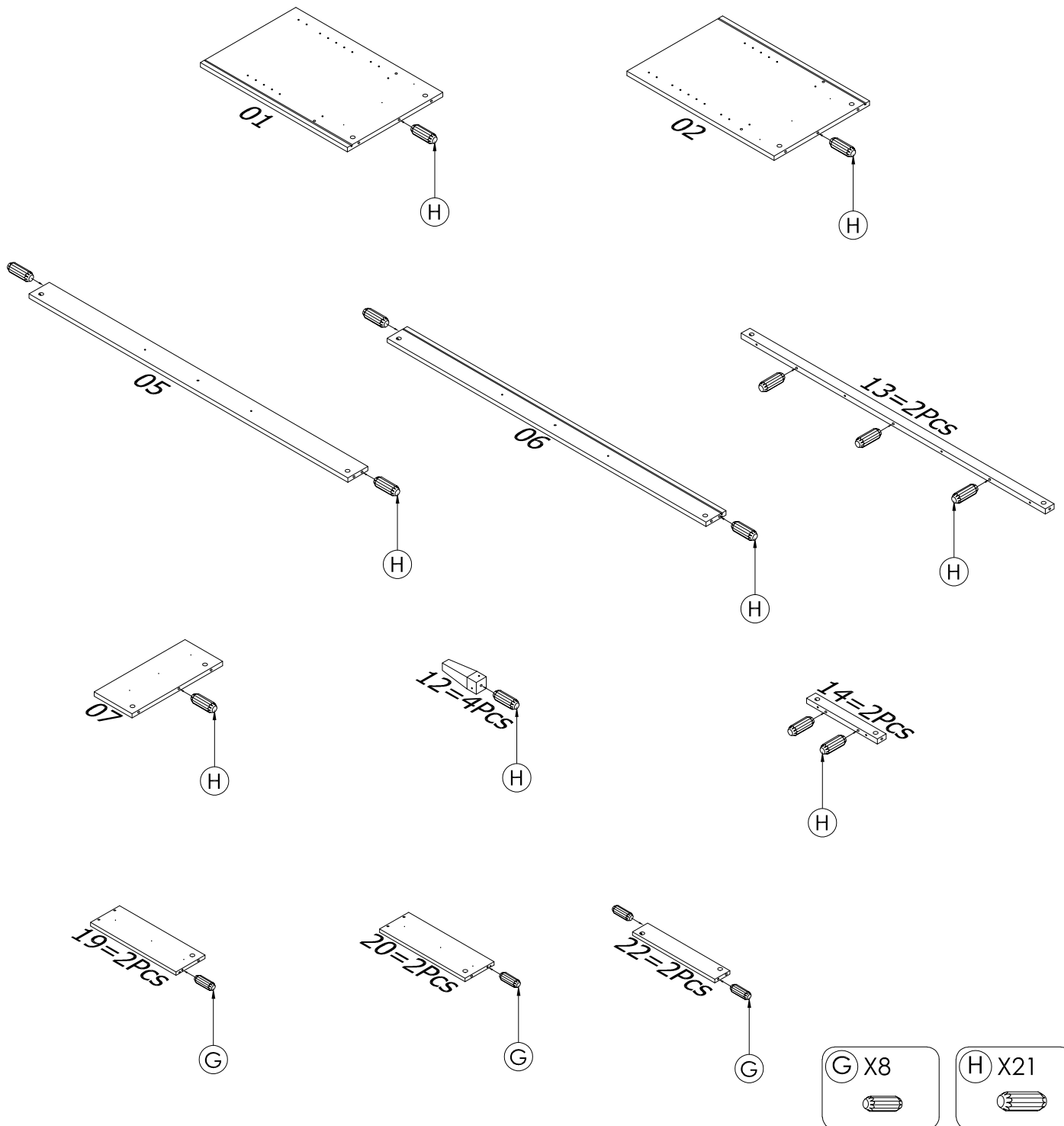
Z1 & Z2

TENLEY 3 DOOR 2 DRAWER SIDEBOARD

ITEM CODE: 5402-WHT

STEP 1

Insert dowel (G) into panels (19, 20 & 22) and wood dowel (H) into panels (1, 2, 5, 6, 7, 12, 13 & 14) as shown.

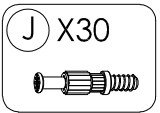
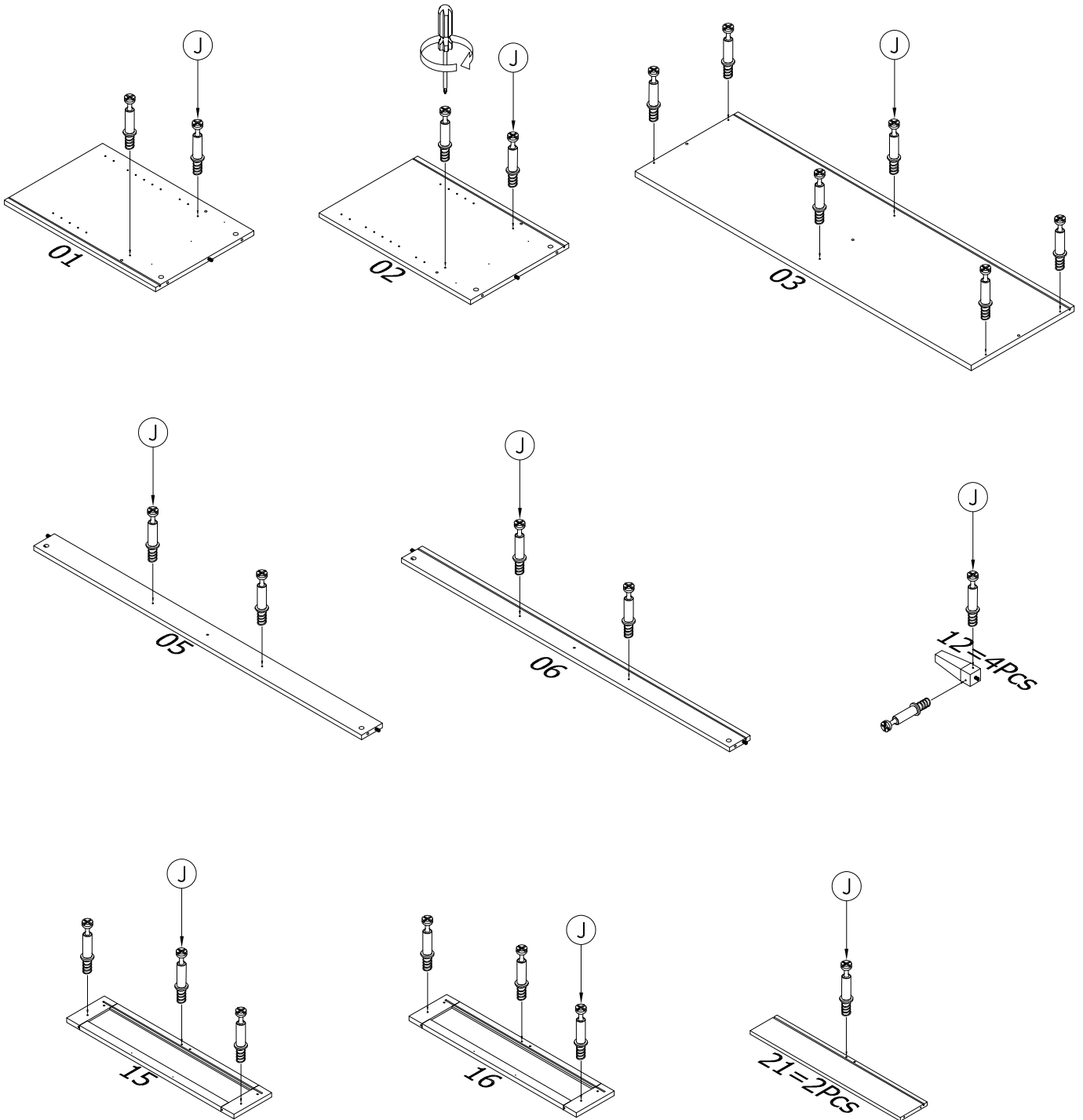


TENLEY 3 DOOR 2 DRAWER SIDEBORD

ITEM CODE: 5402-WHT

STEP 2

Take all panels (1, 2, 3, 5, 6, 12, 15, 16 & 21), using a phillips head screw driver CAM PINS (J) as shown.

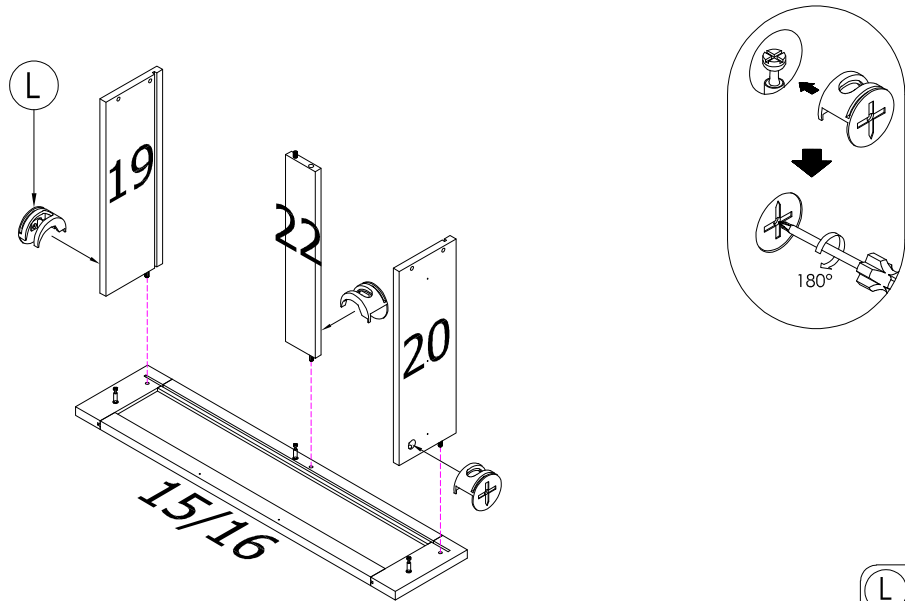


TENLEY 3 DOOR 2 DRAWER SIDEBOARD

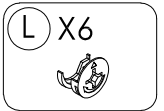
ITEM CODE: 5402-WHT

STEP 3

Attach drawer side (19 & 20) and drawer support (22) to drawer front (15 & 16) using CAM LOCKS (L) as shown.

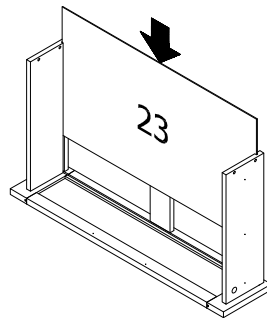


X2



STEP 4

Slot the drawer bottom (23) into the drawer body.



X2

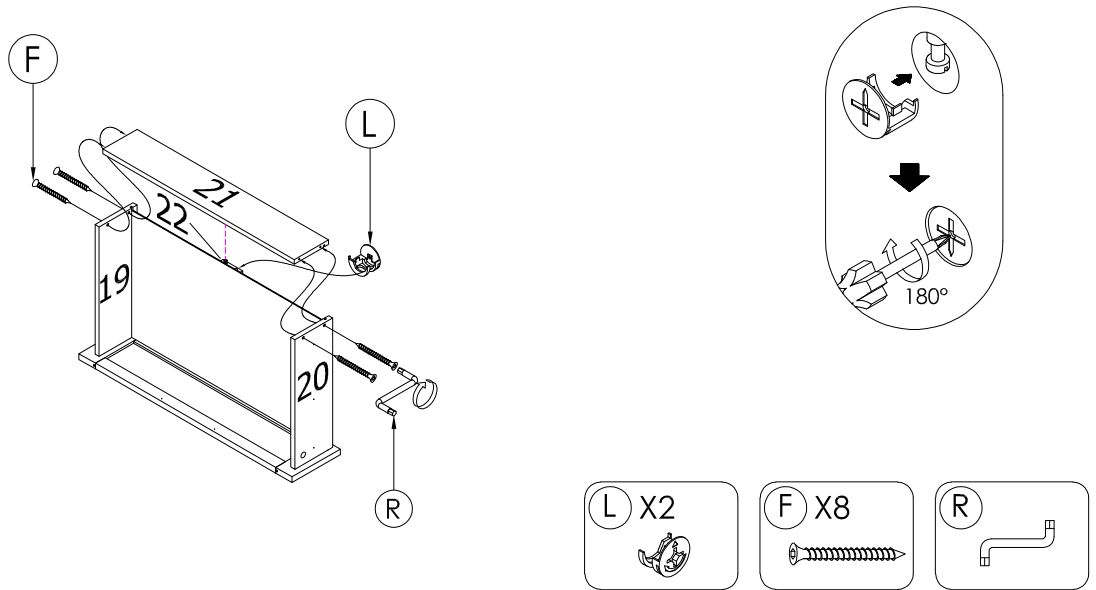
TENLEY 3 DOOR 2 DRAWER SIDEBOARD

ITEM CODE: 5402-WHT

STEP 5

Attach drawer back (21) to drawer side (19 & 20) using 40mm Screw (F) and attach drawer back (21) to drawer support (22) using CAM LOCKS (L) as shown.

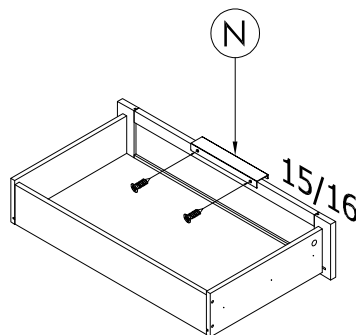
Note: Its important not to over-tighten screws on the drawer sides until all sides are aligned and the drawer base is inserted. Tighten screws fully once base is inserted correctly. Always keep drawer flat in this step so the groove for base will align correctly.



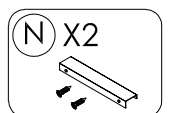
X2

STEP 6

Affix the handle (N) to the drawer front (15 & 16) with the 15mm screw.



X2

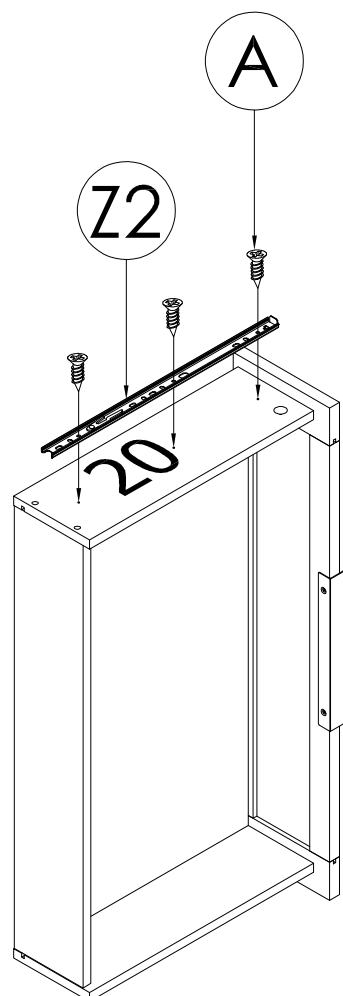
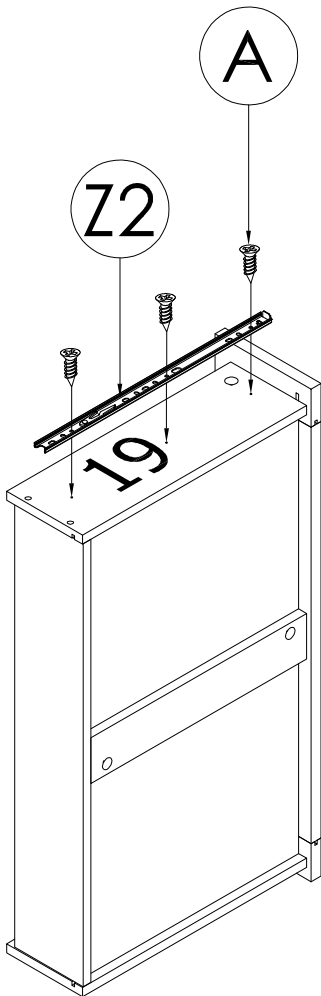
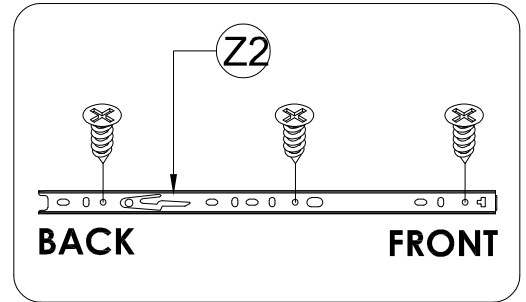


TENLEY 3 DOOR 2 DRAWER SIDEBOARD

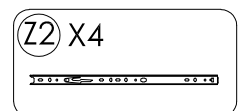
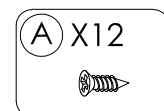
ITEM CODE: 5402-WHT

STEP 7

Attach drawer glide insert (Z2) to the drawer side (19 & 20) with 12mm screw (A), ensuring the correct holes as shown in diagram.



X2

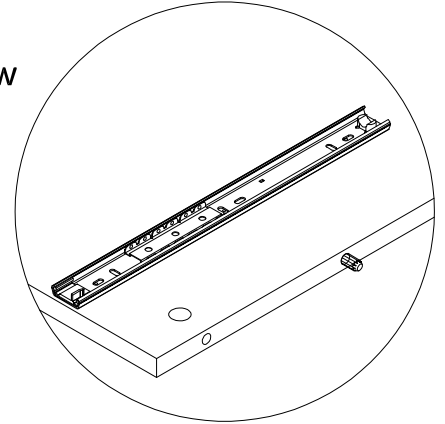


TENLEY 3 DOOR 2 DRAWER SIDEBOARD

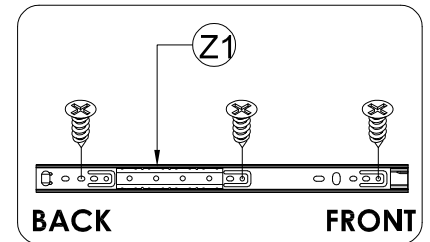
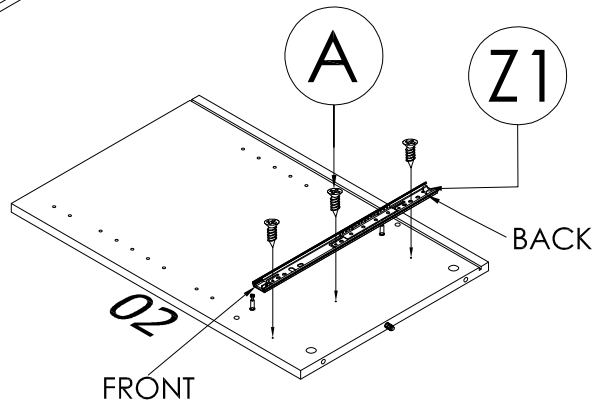
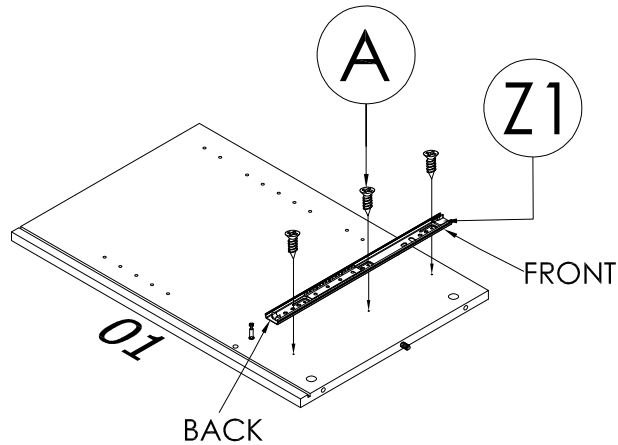
ITEM CODE: 5402-WHT

STEP 8

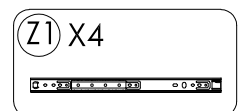
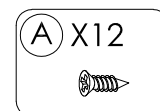
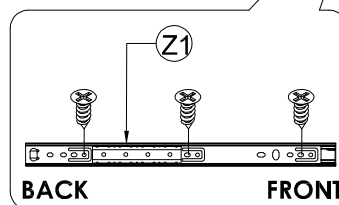
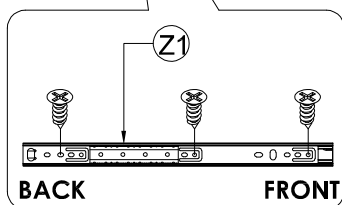
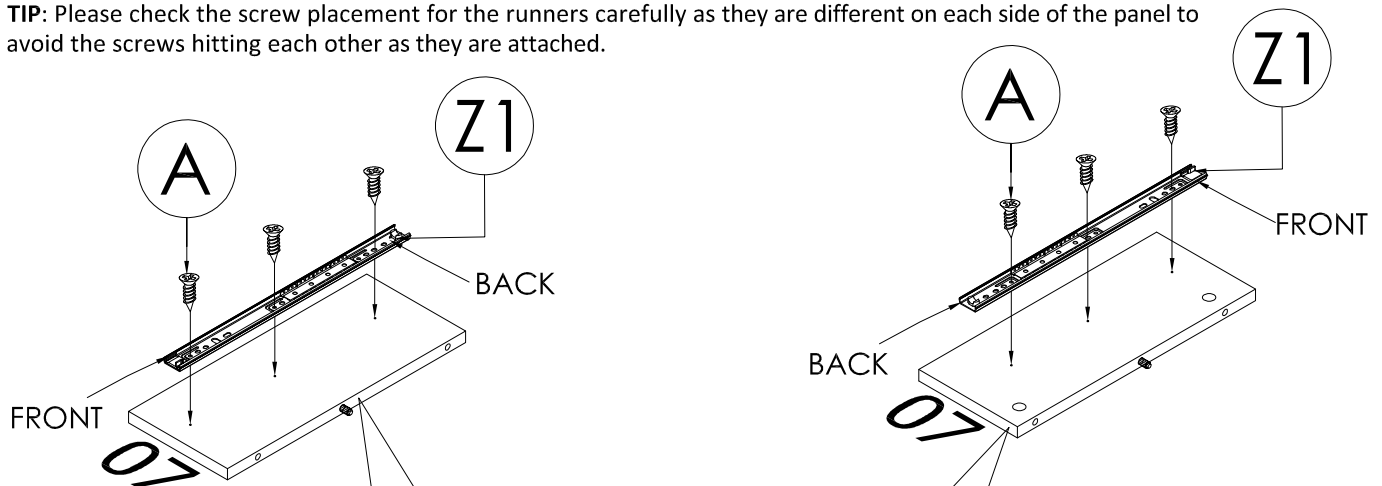
Attach drawer glide casing (Z1) to panels (1, 2 & 7) using screw 12mm (A) as shown.



Note: Once runners are in place the side panel should look like this.



TIP: Please check the screw placement for the runners carefully as they are different on each side of the panel to avoid the screws hitting each other as they are attached.

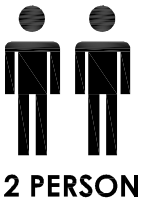
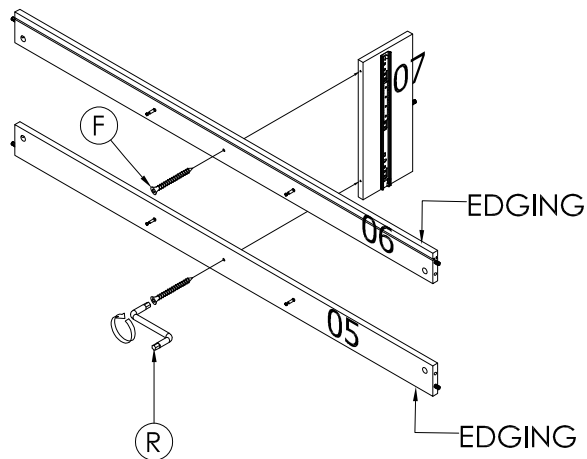


TENLEY 3 DOOR 2 DRAWER SIDEBOARD

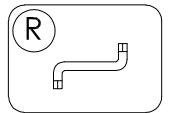
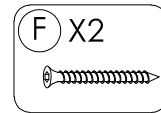
ITEM CODE: 5402-WHT

STEP 9

Attach panels (5 & 6) to panel (7) using 40mm Screw (F) as shown.

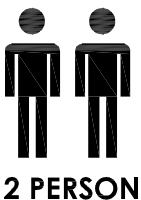
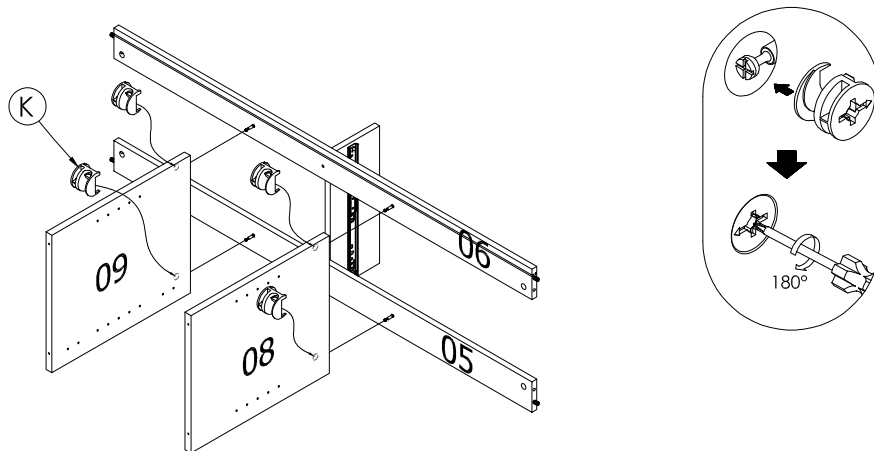


2 PERSON

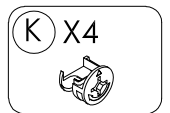


STEP 10

Attach panels (8 & 9) to panels (5 & 6) using CAM LOCKS (K) as shown.



2 PERSON

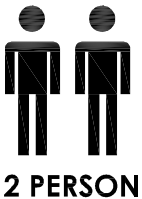
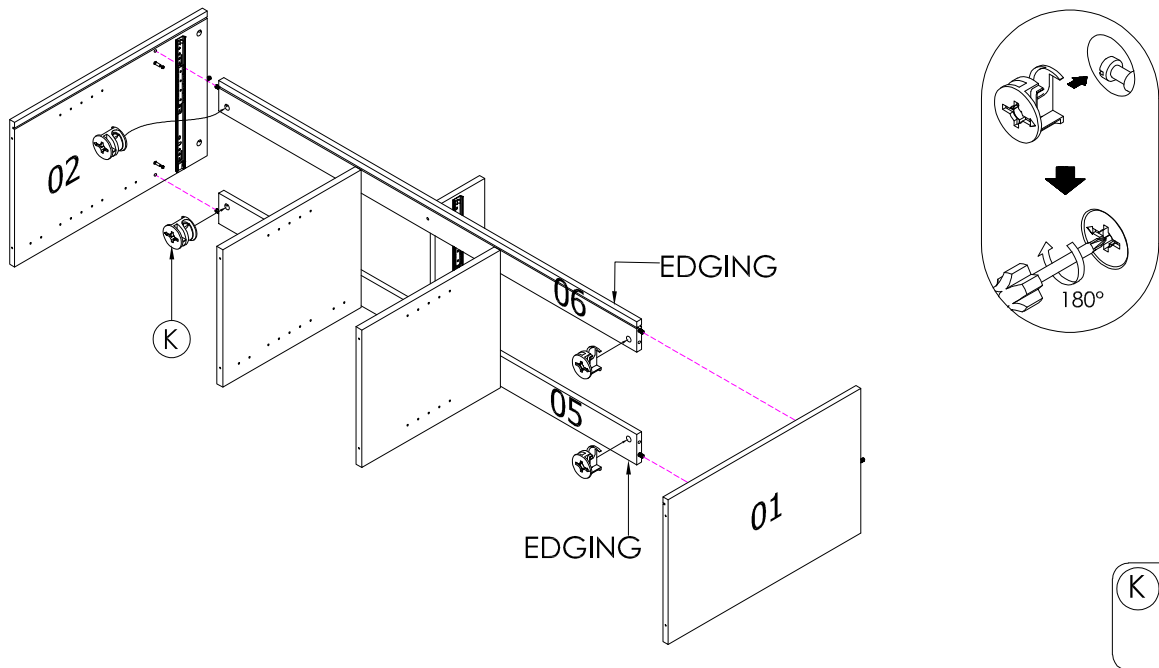


TENLEY 3 DOOR 2 DRAWER SIDEBOARD

ITEM CODE: 5402-WHT

STEP 11

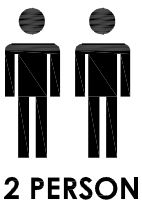
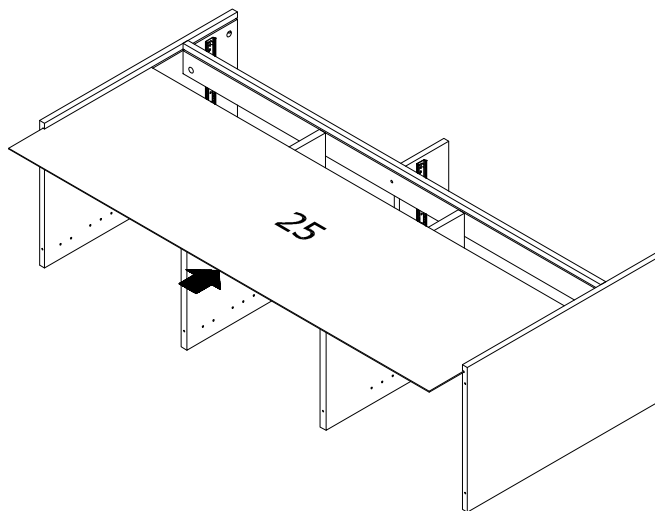
Attach panels (1 & 2) to panels (5 & 6) using CAM LOCKS (K) as shown.



STEP 12

Slot back panel (25) to frame.

Note: With the help of a 2nd person gently guide the backing board into place. 1 person guides from the inside, the other from the outside until it has completely fallen into place on the groove. The top panel will not connect properly if the backing board isn't in place correctly.

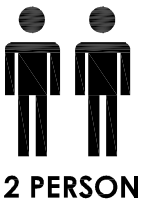
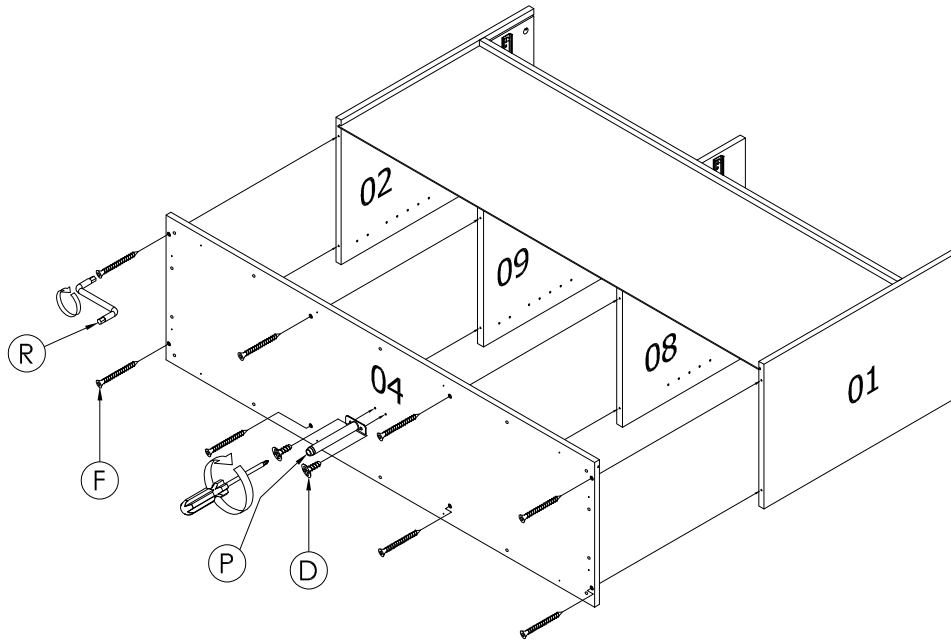


TENLEY 3 DOOR 2 DRAWER SIDEBORD

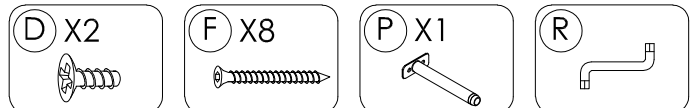
ITEM CODE: 5402-WHT

STEP 13

Attach panel (4) to panels (1, 2, 8 & 9) using 40mm Screw (F) and attach metal leg (P) to panel (4) using screw (D) as shown.



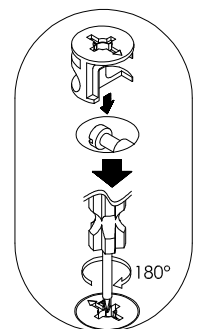
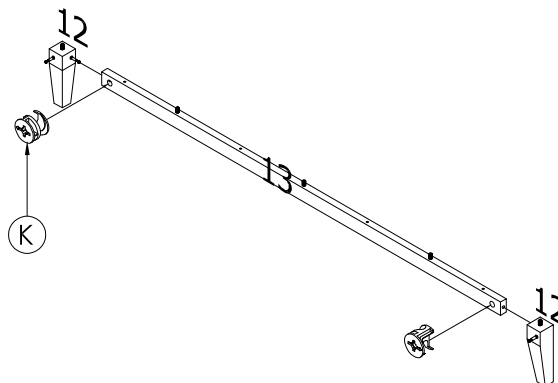
2 PERSON



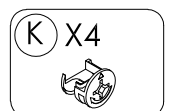
STEP 14

Attach panel (12) to panel (13) using CAM LOCKS (K) as shown.

TIP: Cams should be pushed deeply into the hole, they dont sit flush with the panel, this will ensure correct placement over the quickfit screw before they are tightened.



X2



TENLEY 3 DOOR 2 DRAWER SIDEBOARD

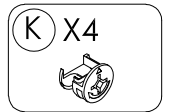
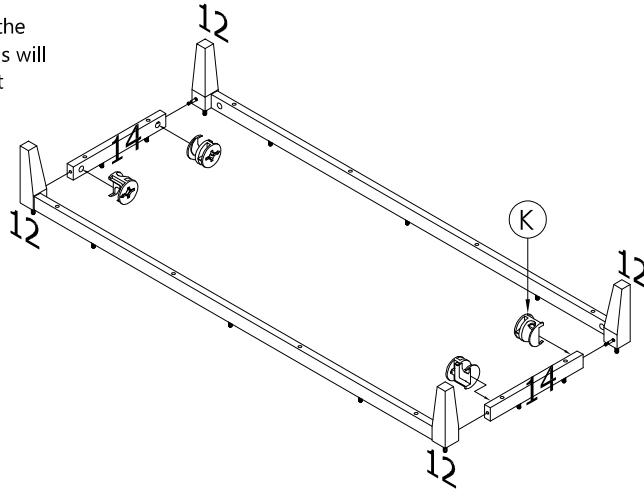
ITEM CODE: 5402-WHT

STEP 15

Attach panel (14) to panel (12) using CAM LOCKS (K) as shown.

Note: Do not overtighten the cams as it may cause damage to the legs.

TIP: Cams should be pushed deeply into the hole, they dont sit flush with the panel, this will ensure correct placement over the quickfit screw before they are tightened.

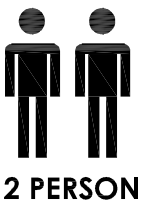
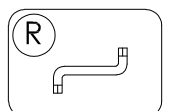
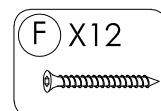
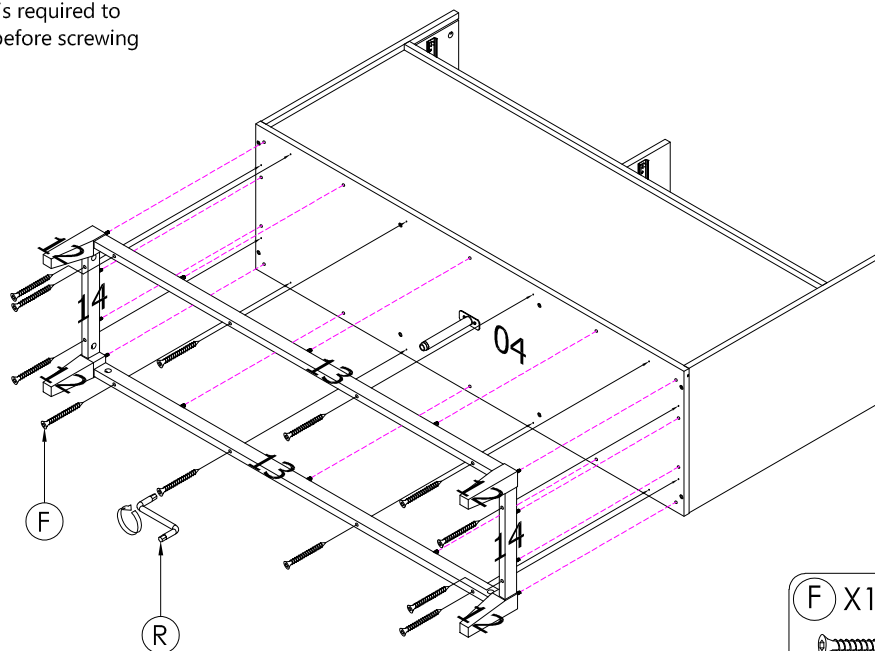


STEP 16

Attach panels (12, 13 & 14) to panel (4) using 40mm Screw (F) as shown.

Note: Place screws randomly on the base so that it will tighten evenly. First screw them into place 3/4 of the way, once all in place proceed to randomly tighten each one until fully tightened.

TIP: The legs are designed to fit tightly over the base of the item for better strength and stability. A little bit of strength is required to push the dowels into position before screwing in the base.



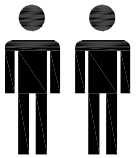
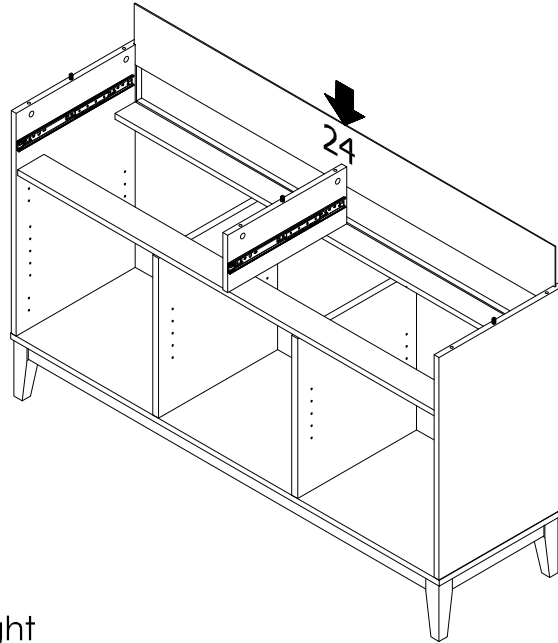
TENLEY 3 DOOR 2 DRAWER SIDEBORD

ITEM CODE: 5402-WHT

STEP 17

Slot back panel (24) to frame.

TIP: Before you assemble the top, look at the runner placement and ensure they all look like they line and are facing the right direction.



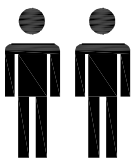
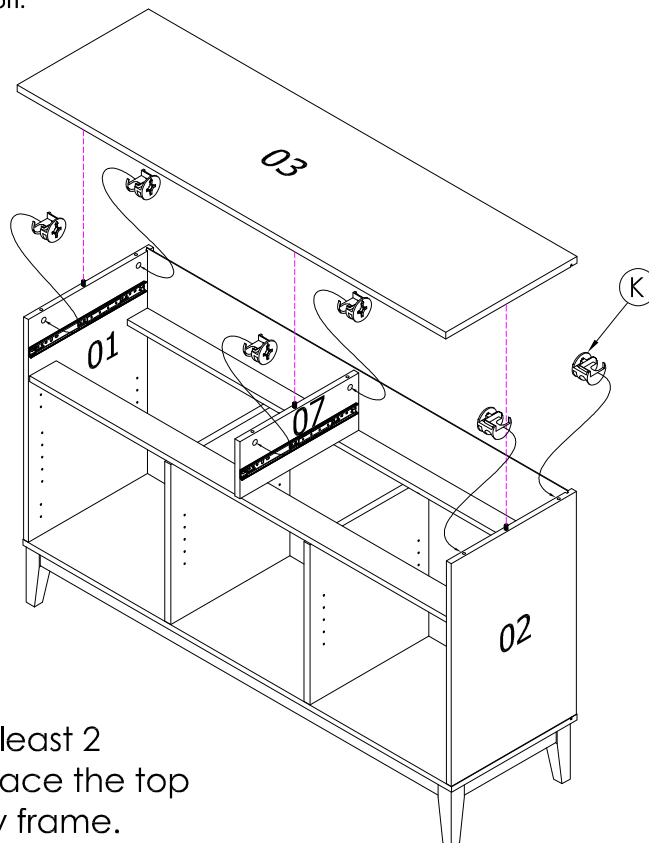
2 PERSON

Note: Always use atleast 2 adults to stand the item upright

STEP 18

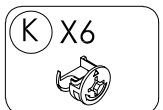
Attach top panel (3) to body frame. Fasten into place using CAM LOCKS (K) as shown.

Note: Please always ensure cam's are correctly locked to secure and support your item. Refer to Camlock guidelines at the beginning of this manual for further information.



2 PERSON

Note: Always use atleast 2 adults to carefully place the top panel onto the body frame.

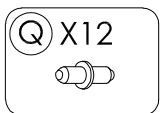
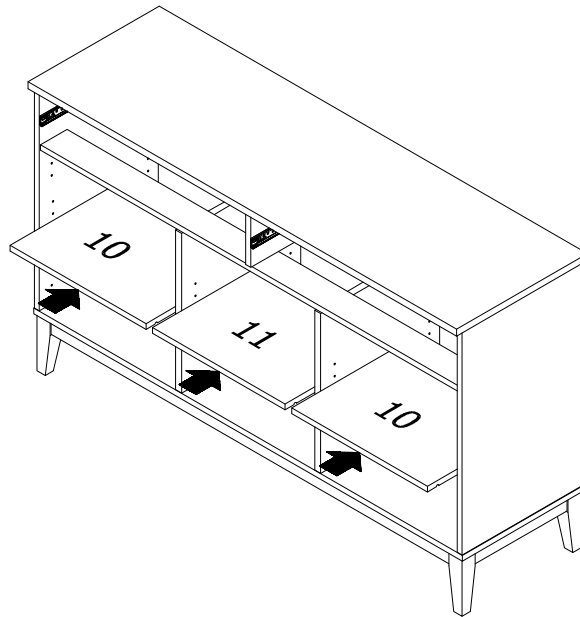
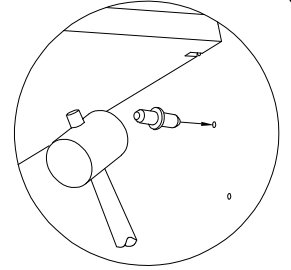


TENLEY 3 DOOR 2 DRAWER SIDEBOARD

ITEM CODE: 5402-WHT

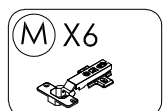
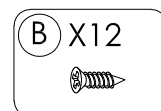
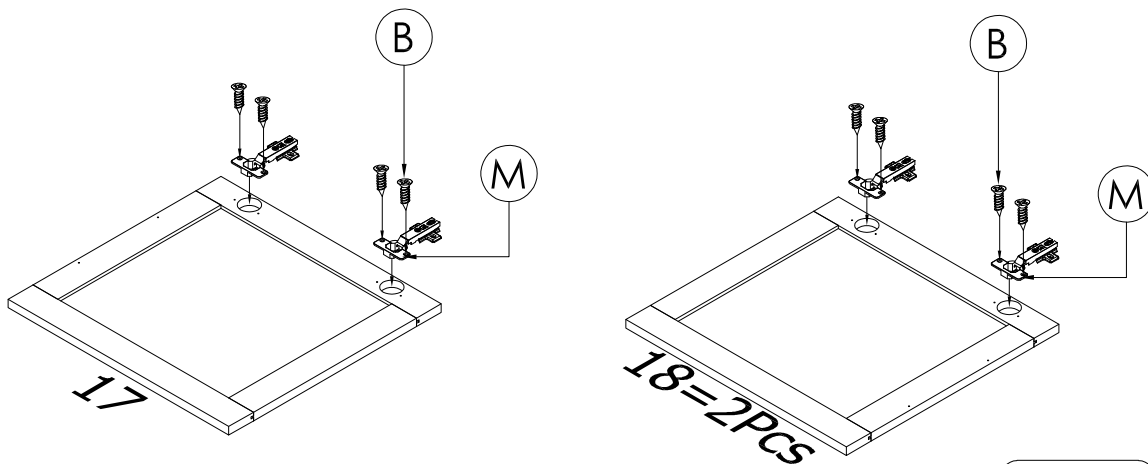
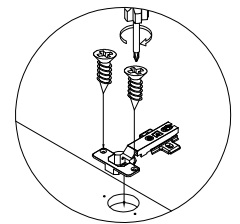
STEP 19

Slot the shelf panels (10 & 11) into the body after fix in the metal adjustable shelf stud (Q) on the holes as shown.



STEP 20

Attach hinges (M) to door panels (17 & 18) using screw (B) as shown.



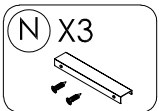
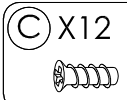
TENLEY 3 DOOR 2 DRAWER SIDEBOARD

ITEM CODE: 5402-WHT

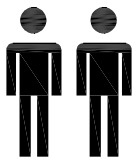
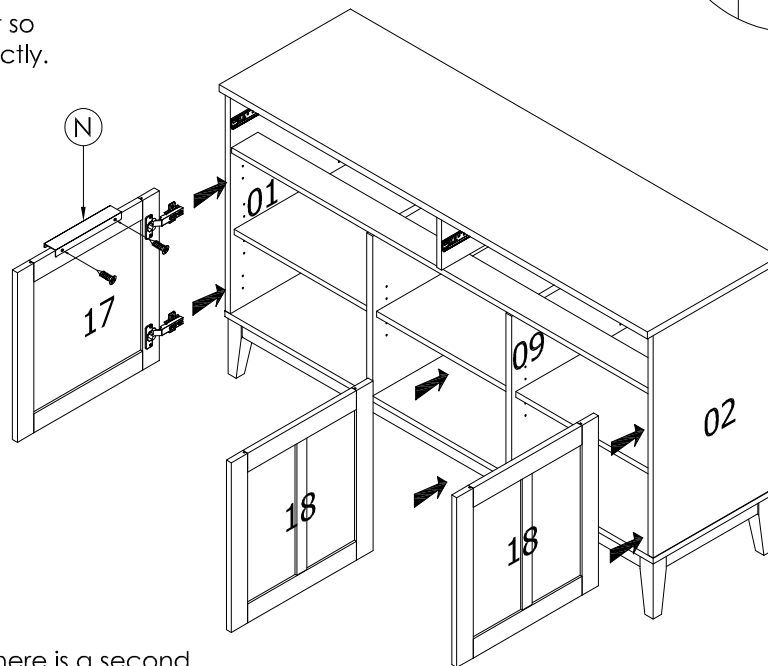
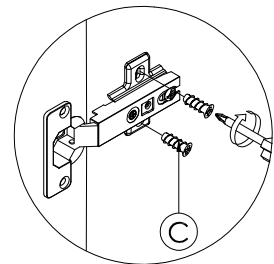
STEP 21

Attach the handle (N) to door panels (17 & 18) as shown. Then attach the door panels (17 & 18) to panels (1, 2 & 9) using screw (C) as shown.

Note: To attach your doors to the cabinet, align the door panel and hinges with the screw guide holes on the side panels. A second person must help during this step. Attach the hinges plate with screws (C) as shown. The screw should be positioned into the middle of the oval holes on the hinges plate. If required they can be adjusted in the final step if you need to adjust door heights.

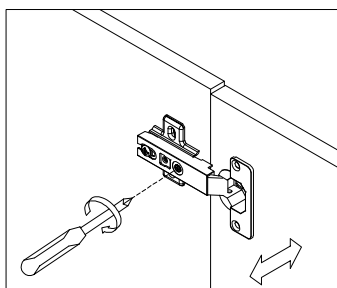


TIP: You might find this step easier if you loosely tighten all screws first into the hinges plate so that they can take the weight of the door and help to keep it straight before you fully tighten and complete the step. Hinges must be secured straight so that the door will function correctly.

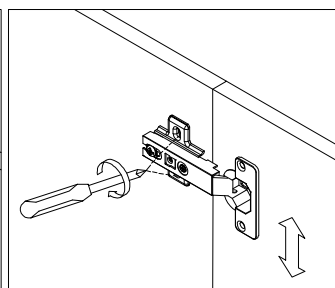


2 PERSON

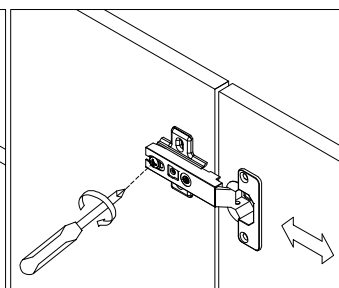
Note: Ensure that there is a second person holding and supporting the door while the hinges are being installed to the side panel.



A. Lateral adjustment by screw adjusting



B. Vertical adjustment via slot in the mounting plate

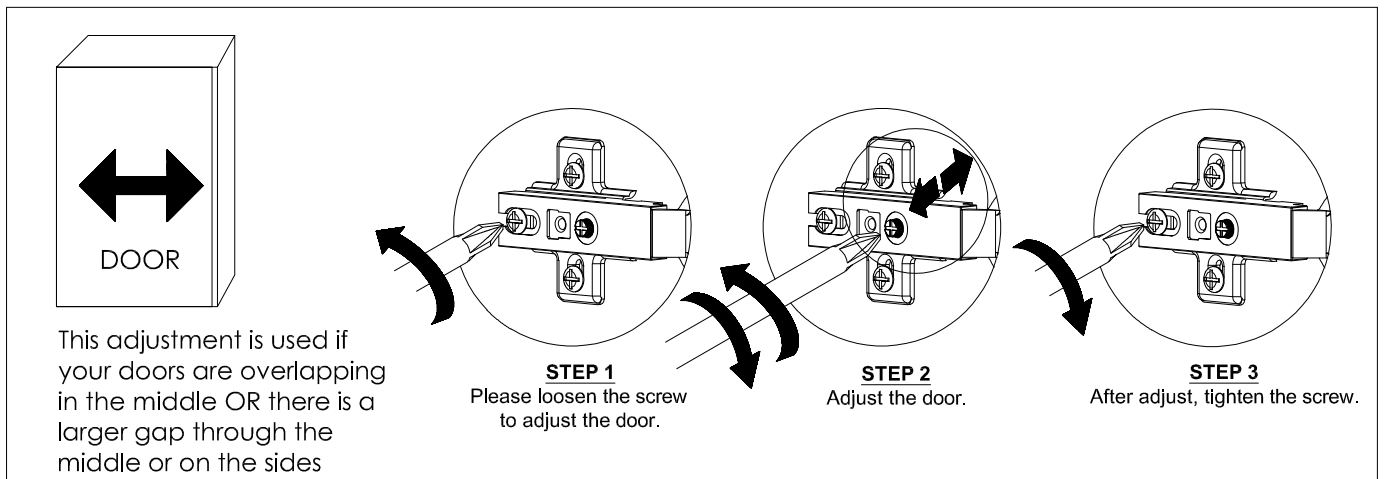


C. Front-to-Back by the slacking the hinge arm mounting screw

TENLEY 3 DOOR 2 DRAWER SIDEBOARD

ITEM CODE: 5402-WHT

HOW TO ADJUST YOUR HINGES AND ALIGN THE DOORS



Follow the adjustments and make sure the middle pin is correctly installed as per previous instructions. If the middle pin isn't correctly installed then this adjustment will not work correctly.

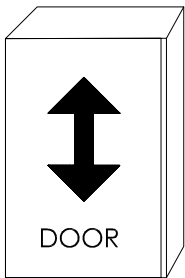
If you tighten/loosen this screw it will adjust the doors to the left/right.

This step usually takes small adjustments and then closing doors to see if the gaps have evened out. Sometimes just half a turn of the screw can make a big impact to the gap.

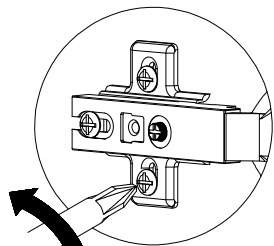
The hinges are correctly installed and in position once you have a nice straight gap down the sides of the cupboard between the door and the side of the cupboard cavity.

TENLEY 3 DOOR 2 DRAWER SIDEBOARD

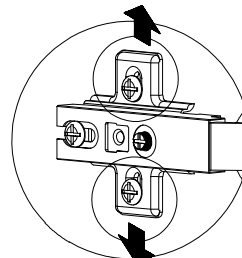
ITEM CODE: 5402-WHT



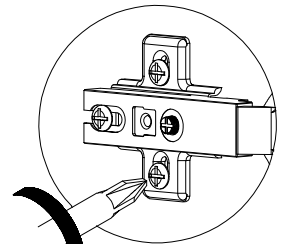
This adjustment is used if your doors have a big gap at the top or the bottom, or if one door sits straight but is lower than the other door.



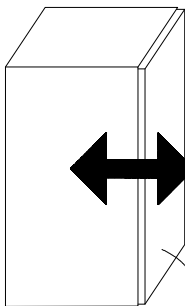
STEP 1
Please loosen the screw to adjust the door.



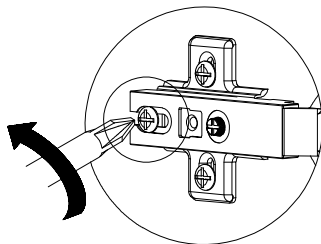
STEP 2
Adjust the door.



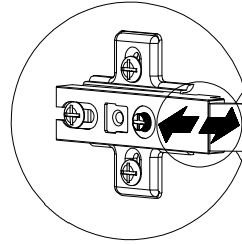
STEP 3
After adjust, tighten the screw.



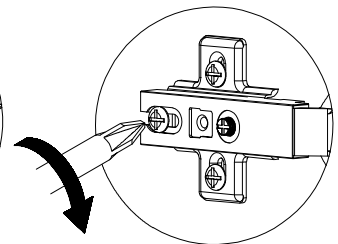
This adjustment is used if your doors are TOO CLOSE to the main cavity. You can loosen the screw and then move the door hinge closer or further out depending on the outcome you want to achieve



STEP 1
Please loosen the screw to adjust the door.



STEP 2
Adjust the door.



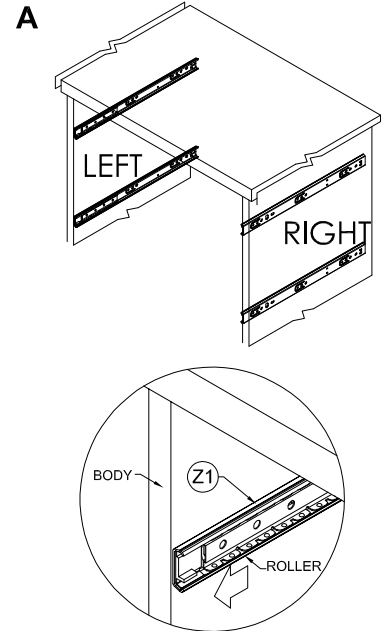
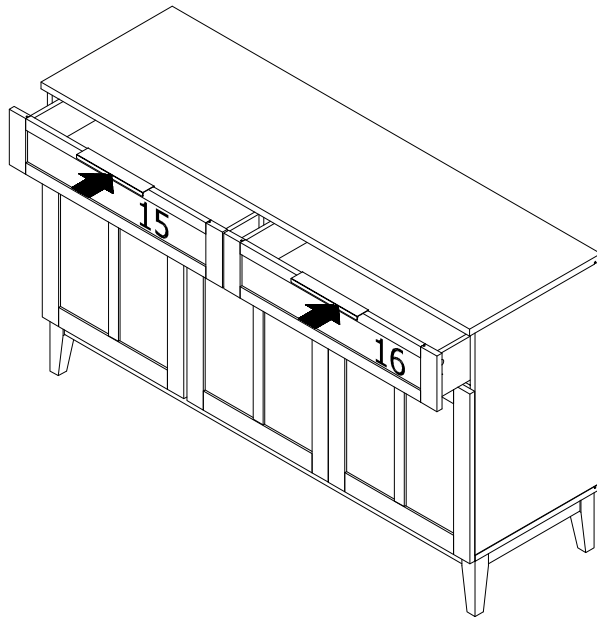
STEP 3
After adjust, tighten the screw.

TENLEY 3 DOOR 2 DRAWER SIDEBOARD

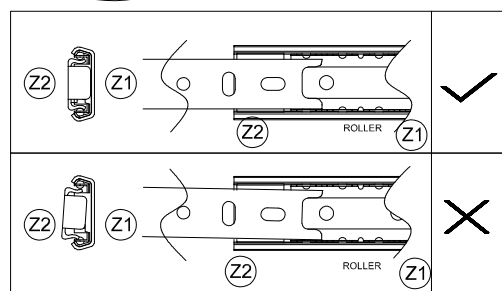
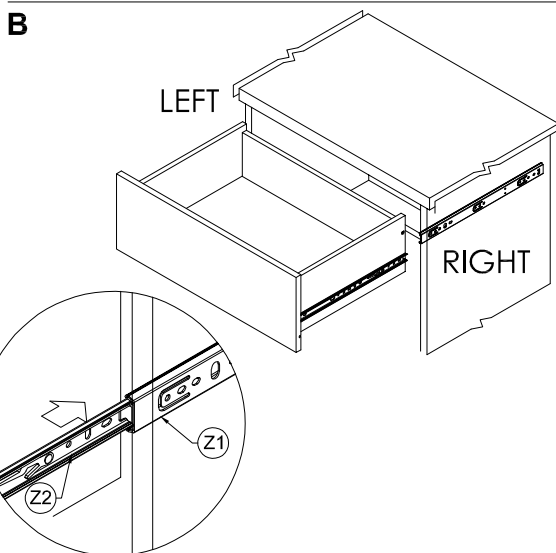
ITEM CODE: 5402-WHT

STEP 22

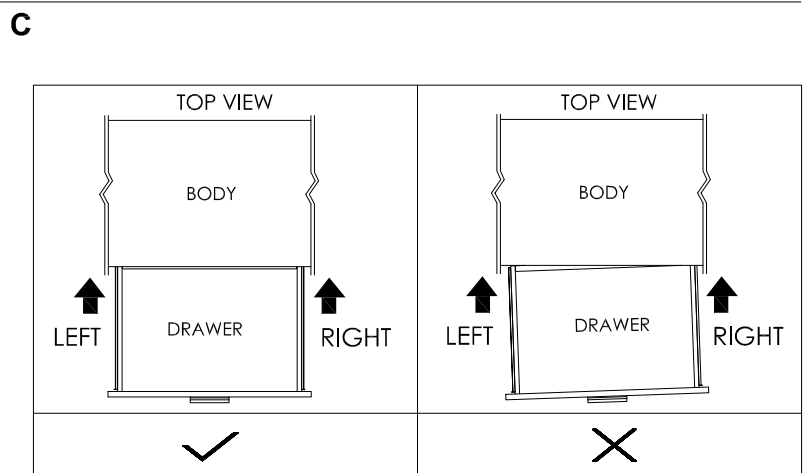
Insert the completed drawer boxes into the frame.



- PUSH THE ROLLER OF Z1 TO THE FRONT SIDE OF THE BODY.



- ALIGN Z2 ON LEFT & RIGHT TO Z1 AT THE CORRECT POSITION.



- PUSH IN LEFT & RIGHT SIDE OF THE DRAWER INTO THE BODY SIMULTANEOUSLY.
- WHEN THE DRAWER IS PUSHED IN HALF WAY, THE STOPPER ON Z2 WILL BE ENGAGED INTO Z1. THIS WILL CAUSE THE PUSHING A BIT TIGHT. (PULL OUT THE DRAWER A LITTLE BIT AND SLOWLY PUSH IN THE DRAWER AGAIN TO CHECK WHETHER THE DRAWER IS STUCK / THE DRAWER GLIDE IS INSTALLED CORRECTLY.)
- DO NOT PUSH IN THE DRAWER IF THE DRAWER IS STUCK OR CANNOT BE PUSHED IN SMOOTHLY. TAKE OUT THE DRAWER AND REPEAT STEP 1 & 2.

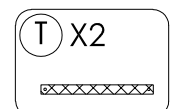
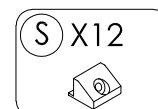
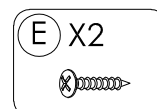
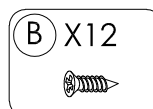
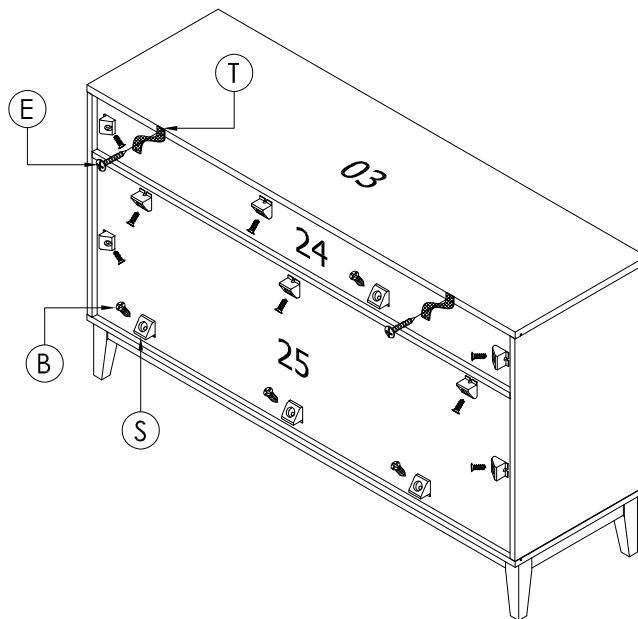
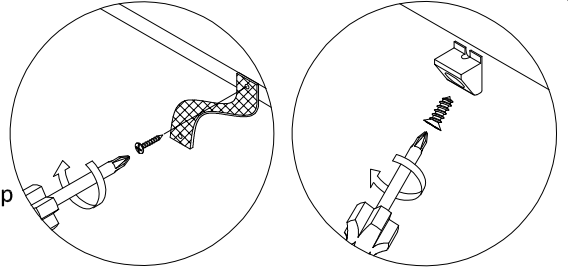
TENLEY 3 DOOR 2 DRAWER SIDEBOARD

ITEM CODE: 5402-WHT

STEP 23

Attach backply stopper (S) to the back panels (24 & 25) using 15mm screw (B). Then attach pp strap (T) to top panel (3) with 16mm screw (E) as shown.

Note: It is really important to attach the backply stoppers correctly as this will help with the overall structure and stability of the item.



TENLEY 3 DOOR 2 DRAWER SIDEBOARD

ITEM CODE: 5402-WHT

ASSEMBLY IS COMPELETE

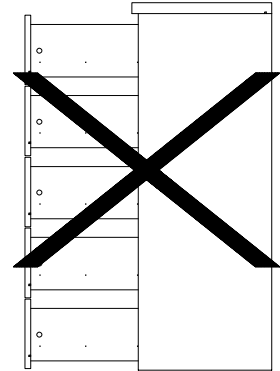


WARNING

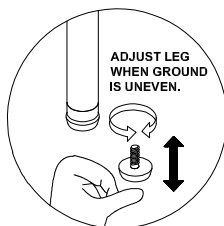
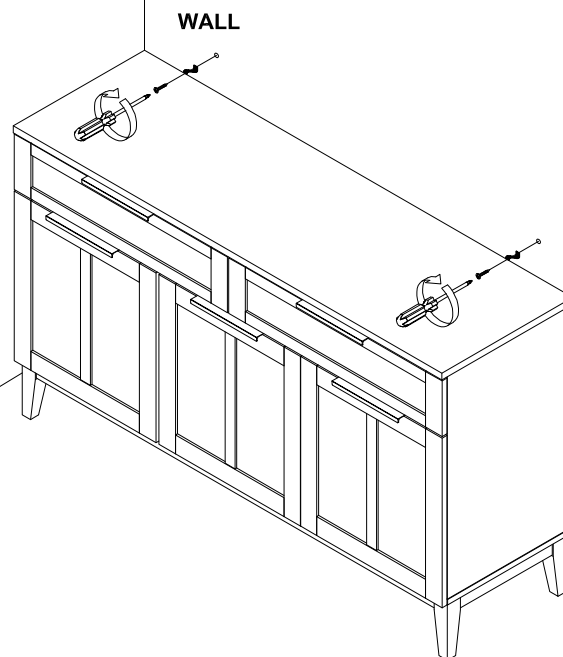
Serious or fatal crushing can occur from furniture tip over. To help prevent tip over :

- Install all tip over restraints provided with your product.
- Place heaviest item inside the lower doors.
- Do not sit TV 's or other heavy objects on top of this product.
- Never allow children to climb or hang on drawers, doors, shelves.
- Never open more than one door at a time.

Use a tip over restraints may only reduce, but will not eliminate, the risk of tip over.



CAUTION :
PLEASE DO NOT FULLY OPEN
DRAWERS SIMULTANEOUSLY AS
IT WILL CAUSE THE DRAWER
CHEST TO FALL DOWN.



WARNING :

ENSURE THAT WALL STRAP IS ATTACHED TO AVOID SERIOUS INJURY

To avoid any serious injury, this product has been supplied with a wall strap to prevent toppling. We strongly recommend that this product is permanently fixed to the wall or other suitable surface. Wall fixing hardware is not supplied as different surface materials require different attachments. Please seek professional advice if you are in doubt of what fixing should be use. Wall fixings can be purchased from your local hardware store.

Wall Mounting & Fixing Guide

NOTE: Supplied wall plugs are only suitable for use in masonry walls.

If you have any doubts about using the correct plug for your wall, please seek professional advice.

Failure of the product due to using incorrect fixings is the responsibility of the installer.



IMPORTANT:

When drilling into walls, always check for hidden wires or pipes, etc.



Tips & Tricks

Make sure that the hardware used is suitable for supporting your unit.

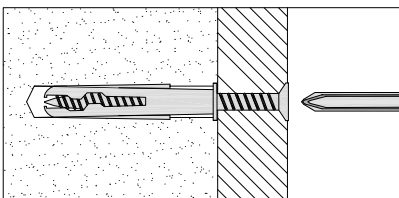
Please consult a qualified tradesperson if unsure.

- ✓ If you are unsure, please select a larger screw and wall plug.
- ✓ Ensure that you use the recommended drill bit to match the wall plug and hole size.
- ✓ Take extra care when drilling high walls, ceiling and ceramic tiles. Ensure wall plugs are inserted beyond the thickness of the ceramic tiles to avoid splitting or cracking.
- ✓ Ensure that wall plugs are well fitted and are a tight fit in the drilled hole.

Types Of Walls

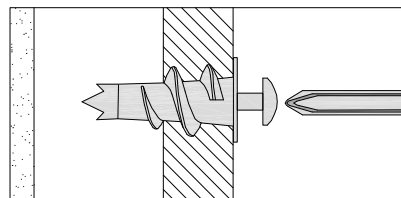
Use one of the following types of wall plug (not included) if your walls are made of brick, breeze block, concrete, stone or wood. Screws may be able to be fixed directly to solid wood walls as they will provide a secure anchor point.

1. General purpose wall plug



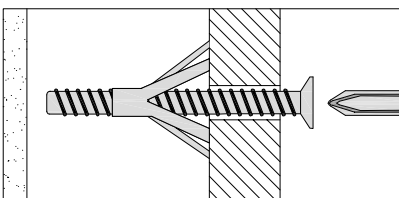
Generally aerated blocks should not be used to support heavy loads, use a specialist fitting in this case. For light loads, general purpose wall plugs can be used.

2. Plasterboard wall plug



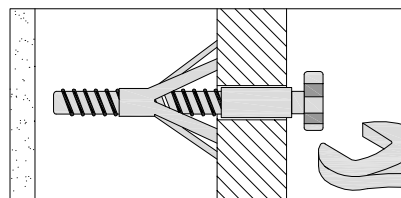
For use when attaching light loads on to plasterboard partitions or hollow wooden doors.

3. Cavity fixing wall plug



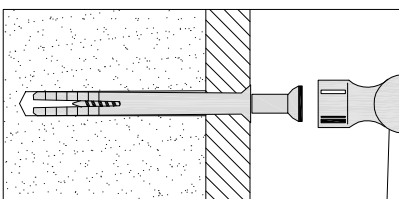
For use with plasterboard partitions or hollow wooden doors.

4. Cavity fixing-heavy duty wall plug



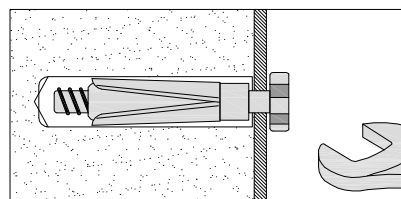
For use when fitting or supporting heavy loads such as shelving, wall cabinets and coat racks.

5. Hammer fixing wall plug



For use with walls stuck with plasterboard. The hammer fixing allows it to be fixed to the wall rather than the plasterboard. Always check the fixing is secure to the retaining wall.

6. Shield anchor wall plug - heavy loads



For use with heavier loads such as TV & HiFi speakers and satellite dishes etc.



MEUBILAIR
DIRECT IMPORTS

Warranty Certificate

Congratulations! You have made an excellent choice of this quality product. Our commitment to quality also includes our service. Should you, contrary to expectations, experience defects due to manufacturing faults, **Meubilair Direct Imports** will provide you with a warranty against defects as follows:

Warranty

The product is guaranteed to be free from defects in workmanship and parts for a period of 12 months from the date of purchase. Defects that occur within this warranty period, under normal use and care, will be repaired, replaced or refunded at our discretion. The benefits conferred

by this warranty are in addition to all rights and remedies in respect of the product that the consumer has under the Competition and

Consumer Act 2010 and similar state and territory laws.

Our goods come with guarantees that cannot be excluded under the Australian Consumer Law. You are entitled to a replacement or refund for a major failure and for compensation for any other reasonably foreseeable loss or damage. You are also entitled to have the goods repaired or replaced if the goods fail to be of acceptable quality and the failure does not amount to a major failure.

Proof of Purchase

This warranty is valid for the original purchase and is not transferable. Please keep your purchase docket, tax invoice or receipt as the best proof of purchase, and as proof of date on which the purchase was made.

Normal Wear and Tear

This warranty does not cover normal wear and tear to the products or parts.

Exclusions

This warranty does not cover:

- Any defects caused by an accident, misuse, abuse, improper installation or operation, lack of reasonable care, unauthorized modification, loss of parts, tampering or attempted repair by a person not authorized by the distributor.
- Any product that has not been installed, operated or maintained in accordance with the manufacturers' operating instructions provided with the product.
- Any product that has been used for purposes other than domestic use.
- Any damage caused by improper power input or improper cable connection.

MEUBILAIR DIRECT IMPORTS PTY LTD

Customer Service

Email: cs@meubilair.com.au

Address: Unit 4, 4-5 Lambridge Place, Penrith, NSW, 2750

Opening Hours 9:00 am - 4:30pm (Mon-Fri)

When making a return, please ensure the product is properly packaged, so as to ensure that no damage occurs to the product during transit.

Please provide the original or a copy of the proof of purchase. Also please make sure you have included an explanation of the problem.

Please note that the costs of making a warranty claim, including any return postage, will be covered by the supplier identified above.

Please note upon receiving your warranty claim, the supplier will send, via the post or email, a repair and refurbished goods or parts notice.

Please provide your email address and advise the supplier, if you wish to obtain a repair and refurbished goods or parts notice via email.

AFTER SALES SUPPORT

EMAIL : cs@meubilair.com.au

Product code: 5402-WHT

07/2023





MEUBILAIR
DIRECT IMPORTS

Warranty Certificate

PRODUCT NAME **TENLEY 3 DOOR 2 DRAWER SIDEBOARD**

BRAND NAME

PRODUCT CODE **5402-WHT**

NAME

ADDRESS

EMAIL

DAYTIME TEL NO

DATE OF PURCHASE

SERIAL NUMBER

We recommend that you attach a photocopy of your receipt, showing the date of purchase, to this Warranty certificate and **keep for your reference**.

In the event of a product fault, please email the Customer Service team. Please ensure that you include the product details (as shown on the card) at hand so that we are able to respond as quickly and efficiently as possible.

MEUBILAIR DIRECT IMPORTS PTY LTD

Customer Service

Email: cs@meubilair.com.au

Address: Unit 4, 16 Hickeys Lane, Penrith, NSW, 2750

Opening Hours 9:00 am - 4:00pm (Mon-Fri)

Phone Number: +61 2 47015363

AFTER SALES SUPPORT

Product code: 5402-WHT

07/2023

