

MULTI-PURPOSE BROOM CUPBOARD 2 DOOR SONOMA OAK

ITEM CODE : 63232

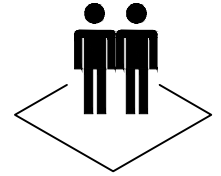
1.0 HR

APPROXIMATE ASSEMBLY TIME



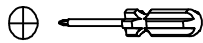
**2 PERSON
ASSEMBLY**

FLOOR AREA
1.0M X 2.0M

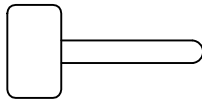


REQUIRED ASSEMBLY SPACE

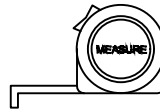
REQUIRED ASSEMBLY TOOLS



POZI SCREWDRIVER



HAMMER



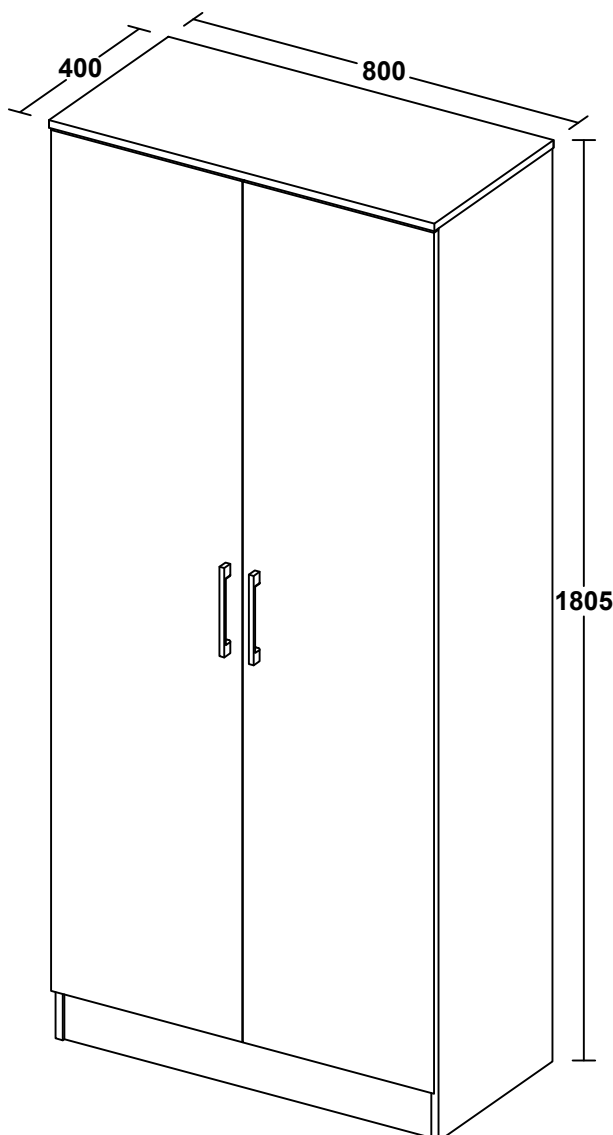
MEASURING TAPE



DRILL

ASSEMBLED DIMENSIONS

63232



MULTI-PURPOSE BROOM CUPBOARD 2 DOOR SONOMA OAK

ITEM CODE : 63232

Important :

Please read these instructions carefully before use and keep for future reference.

- This product is intended for domestic use only and is not designed for commercial use.
- DO NOT assembly / use this item if any components are missing or damaged. Please contact the retailer straight away.
- DO NOT attempt to modify your item as this will void your warranty. Please call the retailer for required parts.
- Assembly to be carried out by a competent adult only.
- During assembly children should be kept away from the product due to possible risk of injury.

Please refer to separate Warranty Certificate for full warranty details and information.

Tips before you start :

- Please check that all parts are present before you start the assembly of your furniture. Please do not start to build your item if any parts are damaged as this may void your warranty. Please contact the retailer immediately so they can advise what you should do.
- For ease and speed of assembly, we recommend that before you commence each step of the assembly, that you identify all the parts required for that step.

MULTI-PURPOSE BROOM CUPBOARD 2 DOOR

SONOMA OAK

ITEM CODE : 63232

Assembly Tips:

1. For larger items, please ensure that you have sufficient space and people (as indicated on page 1) to assembly your product safely.
2. We recommend that, where possible, all items are assembled near to the area in which they will be placed in use, to avoid moving the product unnecessarily once assembled.
3. For the protection of your furniture, we recommend that the product is placed on a protected surface during assembly to prevent any damage.
4. During assembly please take care not to over-tighter, any fittings, as this may damage the product.
5. Always place the product on a flat, steady and stable surface.
6. Do not stand on the product. Do not use the product as a stepladder.
7. This product is intended for indoor, household use only as it is non industrial product.
8. Use of power tools is NOT recommended for assembling this product as over-tightening may occur and damage the product.
9. Due to the laminated finish of this item and the materials used to construct it, when first opening the carton and assembling a slight smell may be noticeable. This will dissipate over a short period of time. Please contact the retailer you purchased this item from if you have any concerns.
10. Please use caution and care when lifting the product to avoid personal injury and / or damage.

Care and Maintenance of your Furniture

- Please periodically check all fittings and re-tighten as necessary.
- To clean your item, please use a damp cloth and wipe clean. Never use harsh chemicals or strong detergents as this could damage the finish of your product.
- Never allow any kind of liquid to remain on your furniture. Absorption can cause wood to warp or finishes to de-laminate.
- Please do not place hot / cold item (e.g. hot drinks) directly on to the surface.
- Do not pull or drag your item. Ensure its evenly supported and lifted while moving it.
- Avoid placing sharp objects on the surface as this may scratch the surface. It is recommended to use trivets or coasters under flowerpots, vases cups etc to avoid damage to your item.

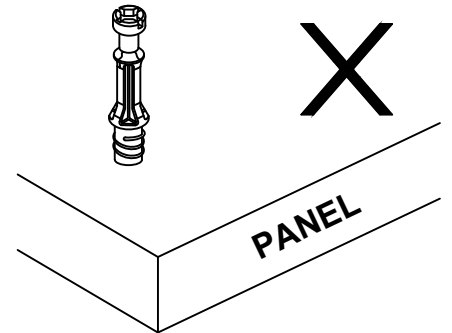
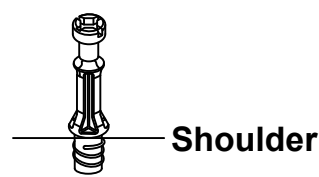
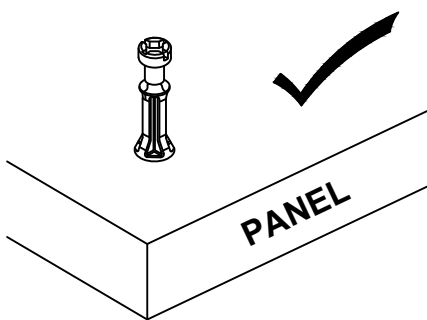
MULTI-PURPOSE BROOM CUPBOARD 2 DOOR

SONOMA OAK

ITEM CODE : 63232

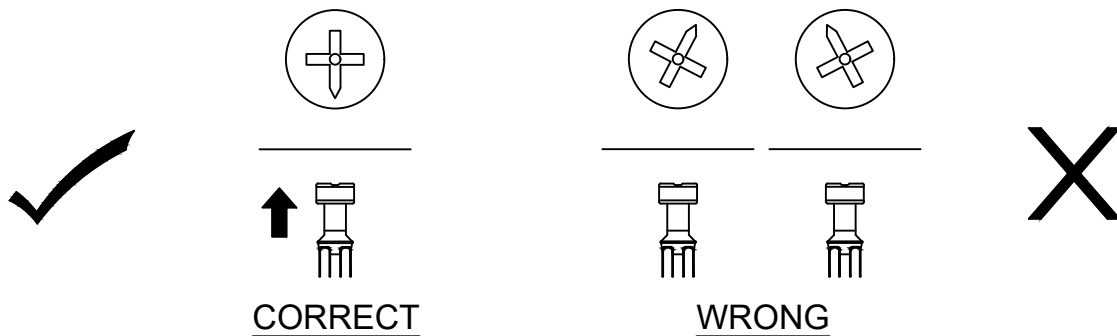
Tips before you start :

QUICKFIT



Tighten quickfit until shoulder is flush with panel . Do not overtighten or undertighten.

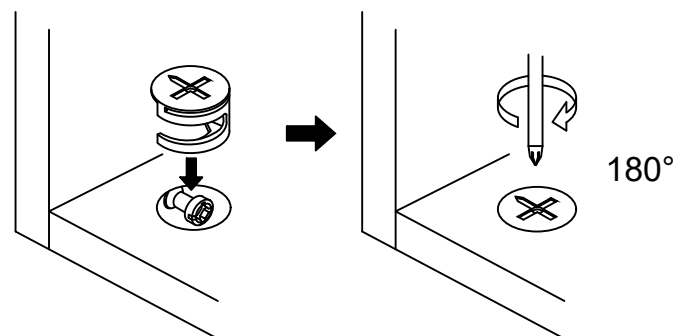
CAM LOCK



When fitting cam lock , ensure starting position is correct before you insert connecting quickfit.

Quickfit head should be in the center of the cam lock when the two panels are joined .

Cam lock should be inserted before quickfit

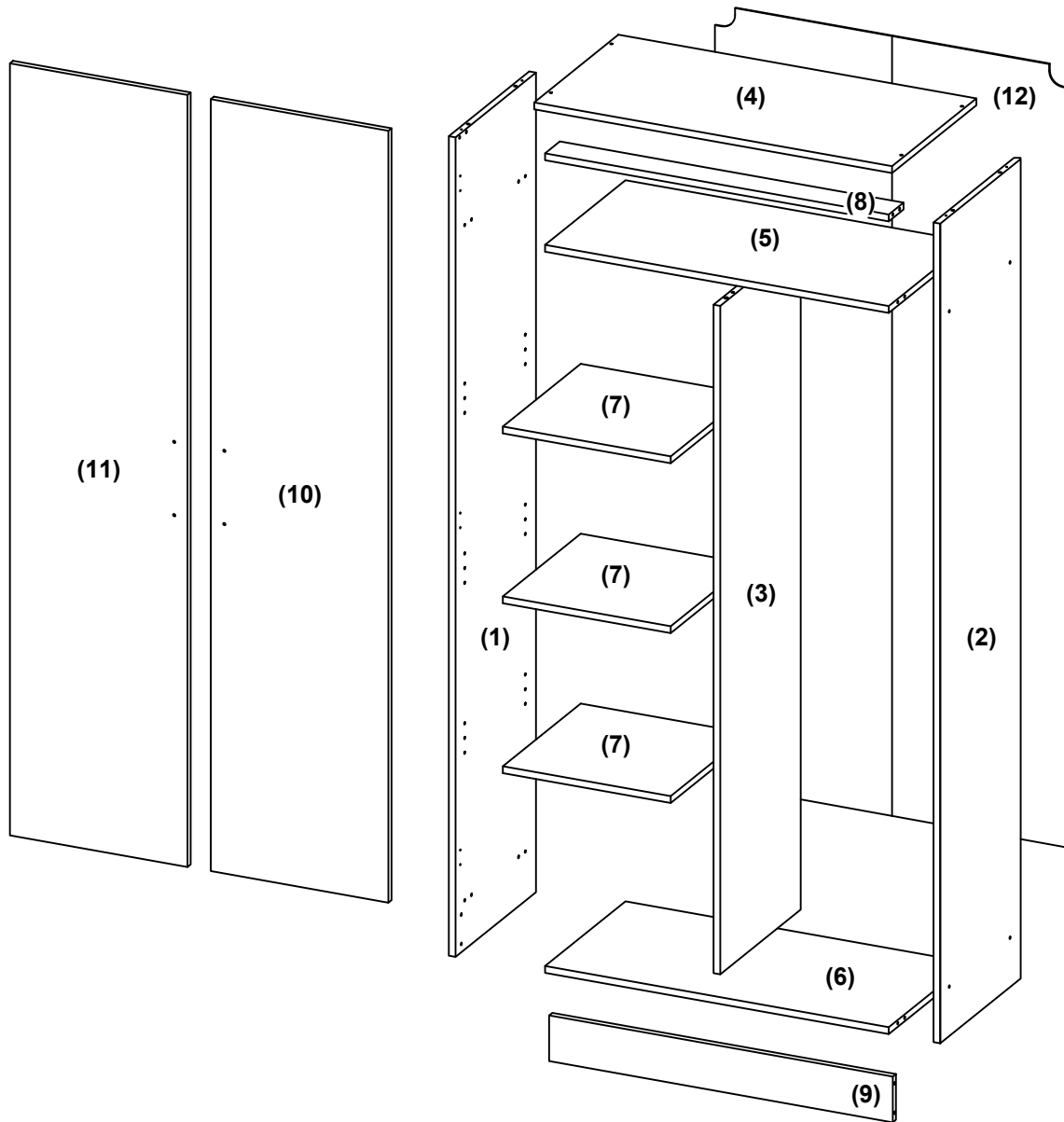


Turn cam lock clockwise to tighten.

MULTI-PURPOSE BROOM CUPBOARD 2 DOOR SONOMA OAK

ITEM CODE : 63232

PART LIST:



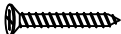
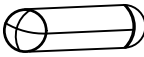


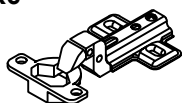


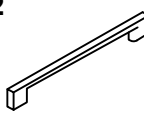


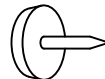
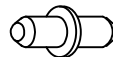
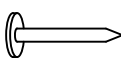


NO.	PART NAME	QTY	NO.	PART NAME	QTY
1	SIDE PANEL (LEFT)	1	7	SHELF PANEL	3
2	SIDE PANEL (RIGHT)	1	8	SLATS (UP)	1
3	MIDDLE PANEL	1	9	SLATS (BOTTOM)	1
4	TOP PANEL	1	10	DOOR (LEFT)	1
5	HORIZONTAL PANEL	1	11	DOOR (RIGHT)	1
6	BOTTOM PANEL	1	12	BACK PANEL	2

MULTI-PURPOSE BROOM CUPBOARD 2 DOOR

SONOMA OAK

ITEM CODE : 63232

HARDWARE LIST

A x14  C/B SCREW M4 x 45mm	B x24  DOWEL Ø6 x 25mm	C x2  CAM BOLT	D x2  CAM NUT
E x6  HINGE (5/8) W/SPRING	F x24  C/B SCREW M3.5 x 16mm	G x6  C/B SCREW M3.5 x 20mm	H x2  PVC HANDLE
I x4  C/B SCREW M4 x 30mm	J x8  SCREW COVER	K x4  GLIDER WITH NAIL	L x12  SHELF SUPPORT
M x35  NAIL	N x2  L-BRACKET	O x2  C/B SCREW M3.5 x 12mm	

Tips before you start :

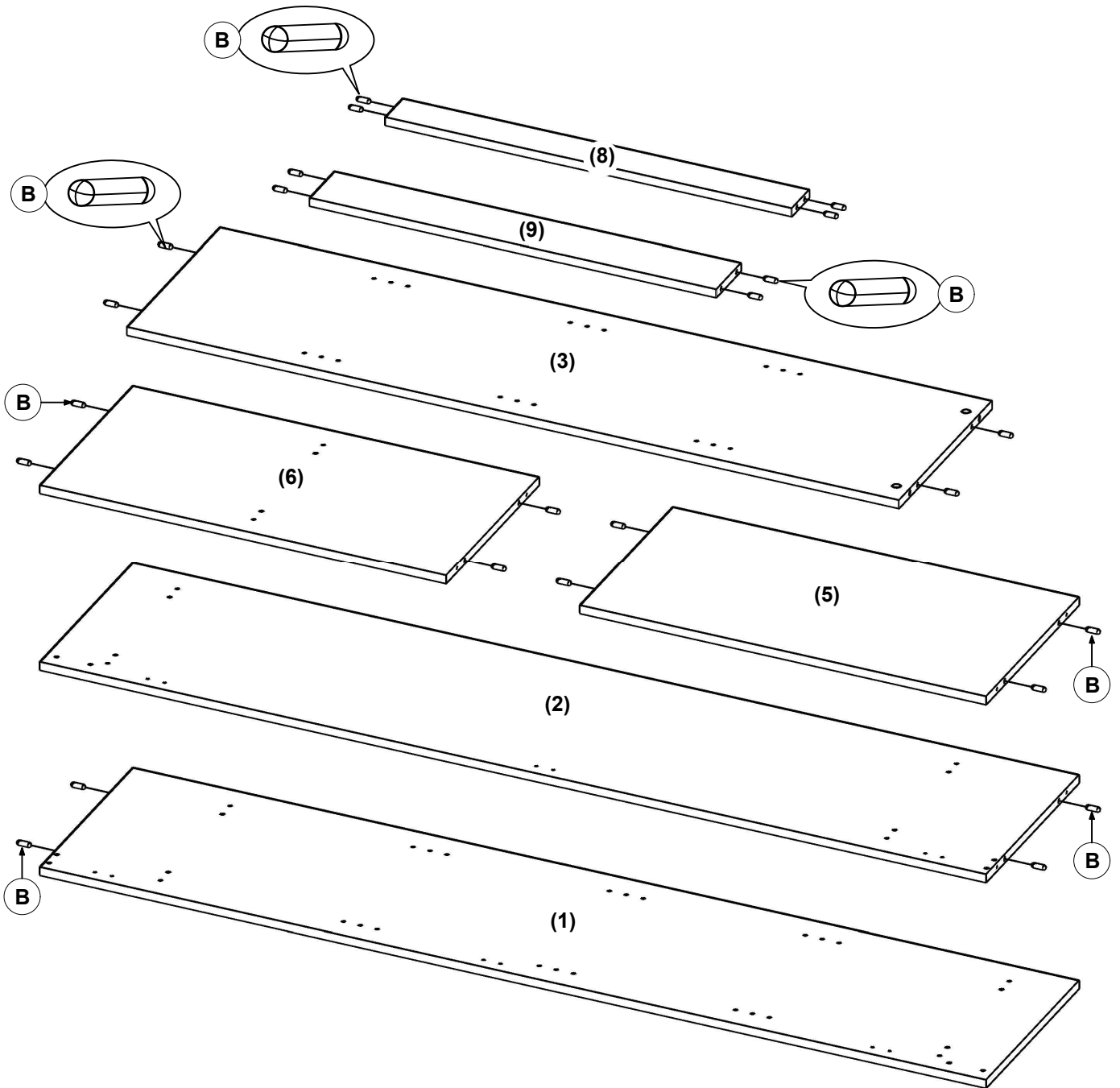
- Please check that all parts are present before you start the assembly of your furniture. Please do not start to build your item if any parts are damaged as this may void your warranty. Please contact the retailer immediately so they can advise what you should do.
- For ease and speed of assembly, we recommend that before you commence each step of the assembly, that you identify all the parts required for that step.

MULTI-PURPOSE BROOM CUPBOARD 2 DOOR SONOMA OAK

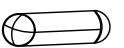
ITEM CODE : 63232

STEP 1

Insert the Dowel (B) into the designated hole as shown.



B x24



MULTI-PURPOSE BROOM CUPBOARD 2 DOOR

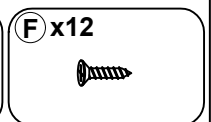
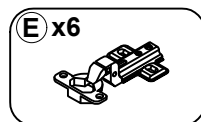
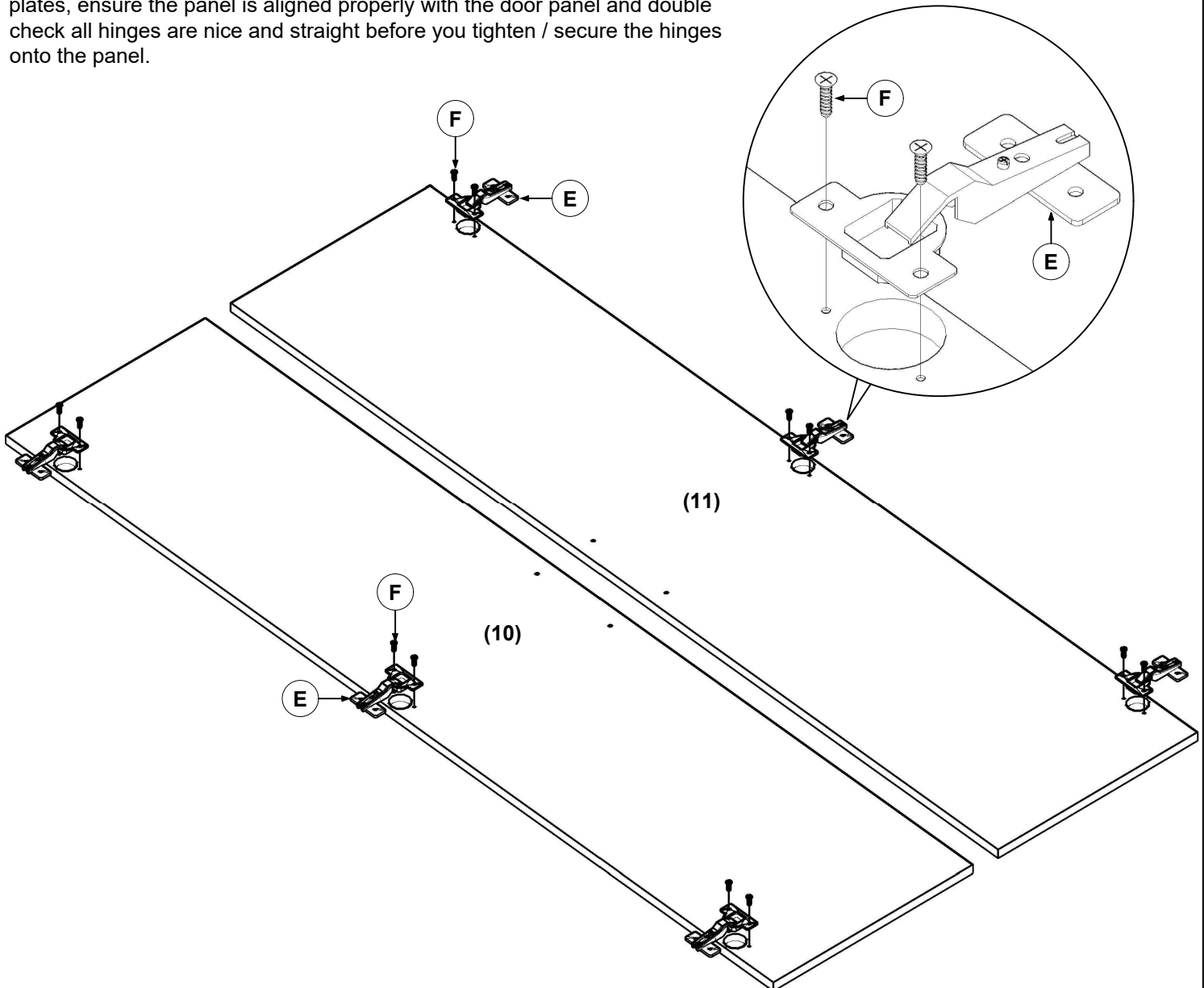
SONOMA OAK

ITEM CODE : 63232

STEP 2

Attach Hinges (E) to the door panel (10&11) using screws (F) as shown in the diagram below. Ensure the hinges are nice and straight.

TIP : To ensure the hinge plates are straight you could use the straight edge of another panel and place on top and position the edge against the hinge plates, ensure the panel is aligned properly with the door panel and double check all hinges are nice and straight before you tighten / secure the hinges onto the panel.



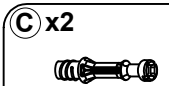
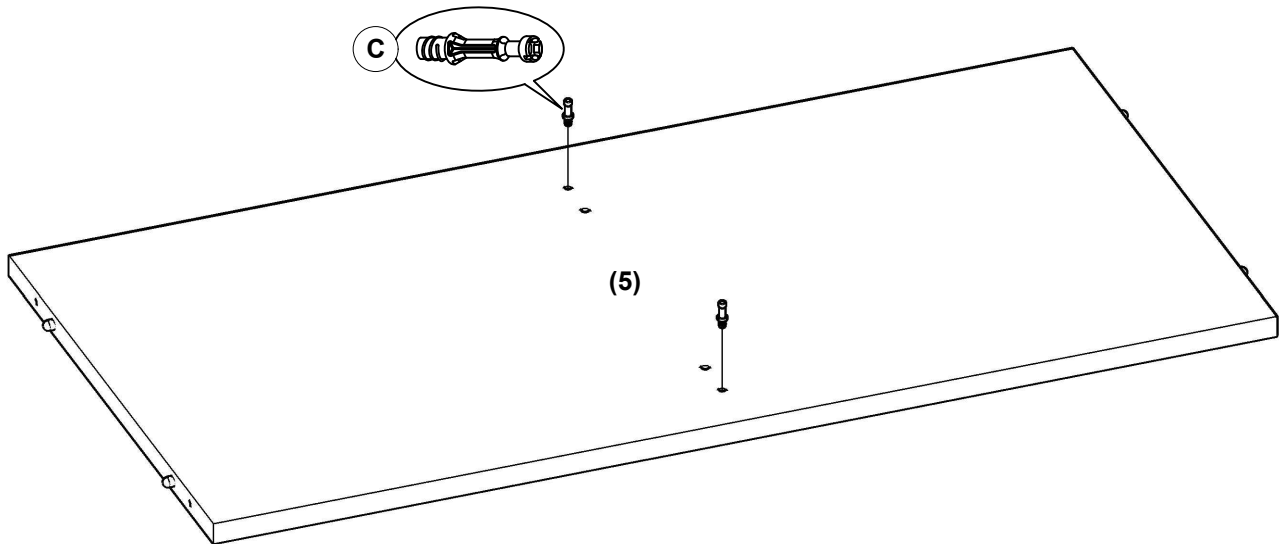
MULTI-PURPOSE BROOM CUPBOARD 2 DOOR

SONOMA OAK

ITEM CODE : 63232

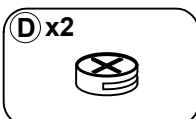
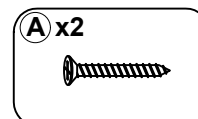
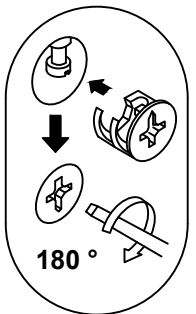
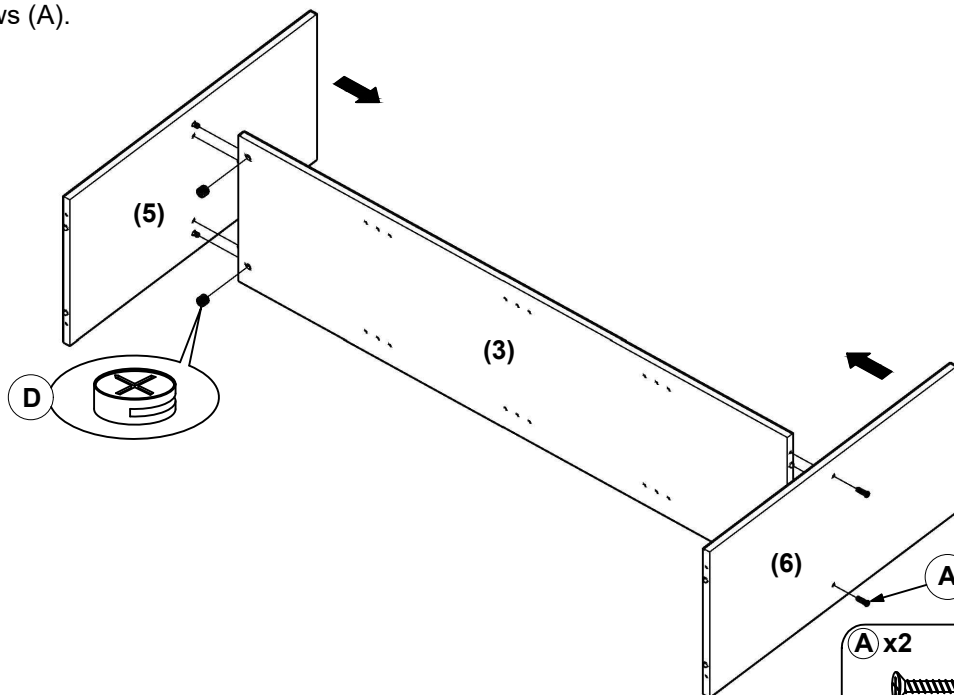
STEP 3

Align the CAM Bolt (C) with the specified hole and tighten as shown



STEP 4

Align the CAM BOLT (C) on the top of panel 3 with the hole on the top of panel 3 and place it in the designated hole with the CAM NUT (D) and tighten 180°. Next, align the bottom of the No. 3 panel with the holes on the top of the No. 6 panel and connect it with screws (A).



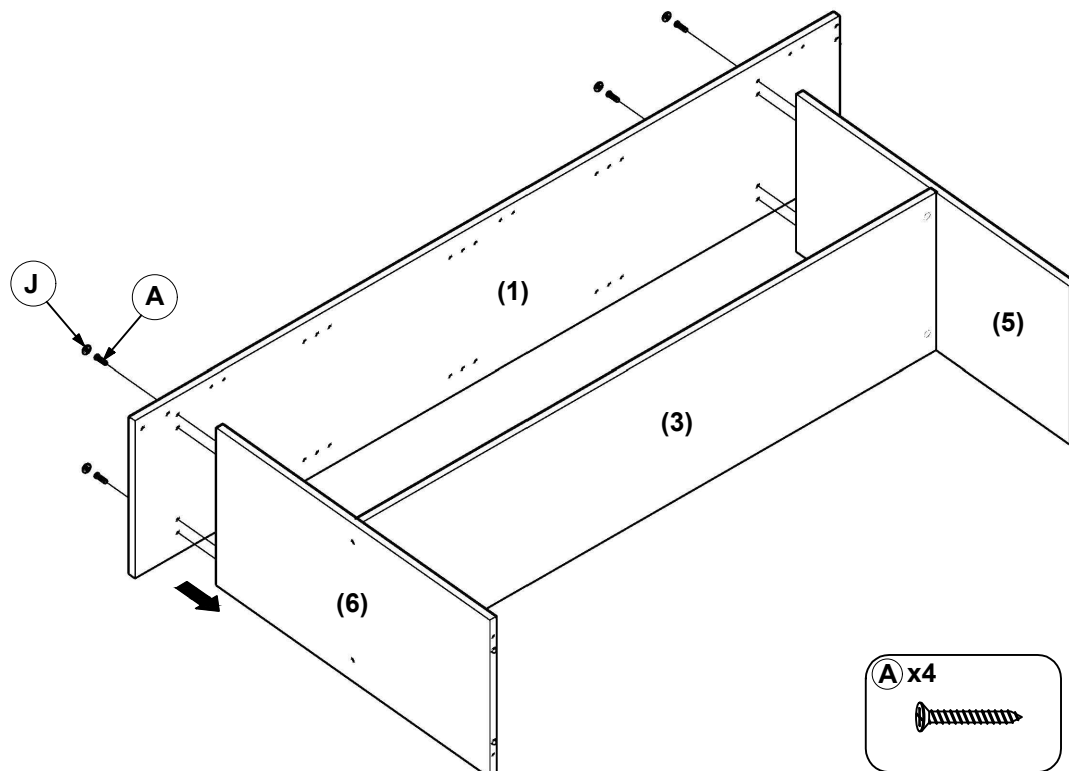
2 PERSON

MULTI-PURPOSE BROOM CUPBOARD 2 DOOR SONOMA OAK

ITEM CODE : 63232

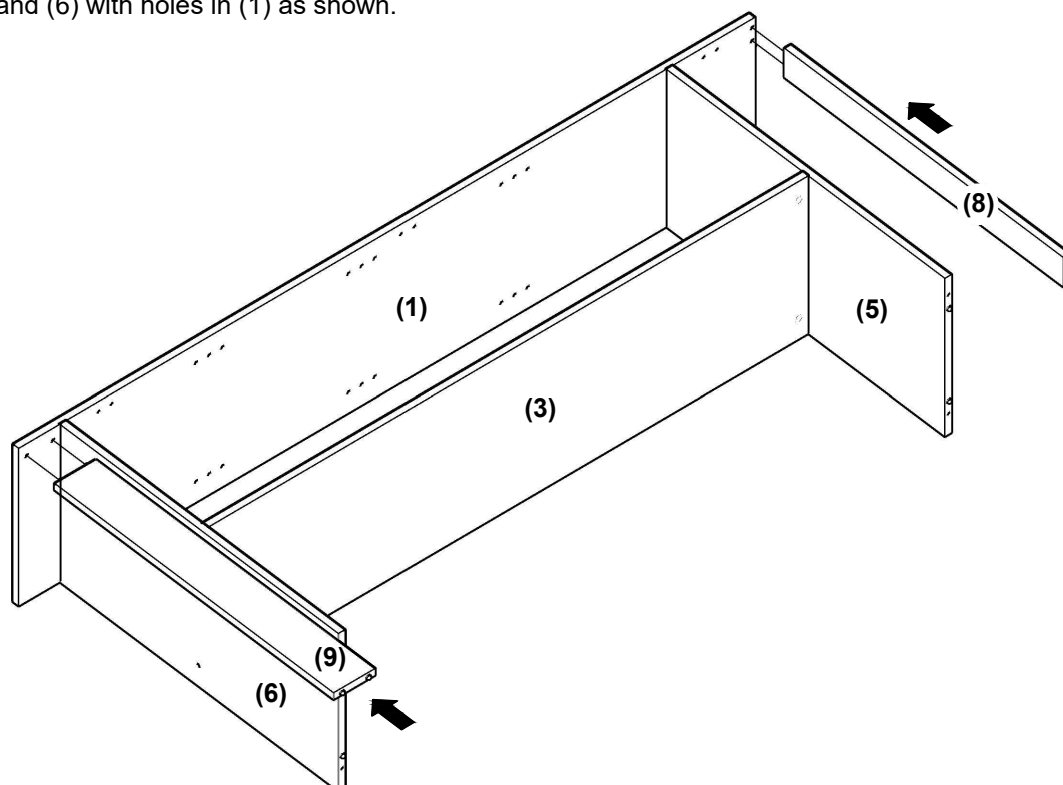
STEP 5

Align panels (5) and (6) with holes in (1) as shown and secure with screws (A). Add screw cover (J) to complete steps.



STEP 6

Align and secure panels (5) and (6) with holes in (1) as shown.



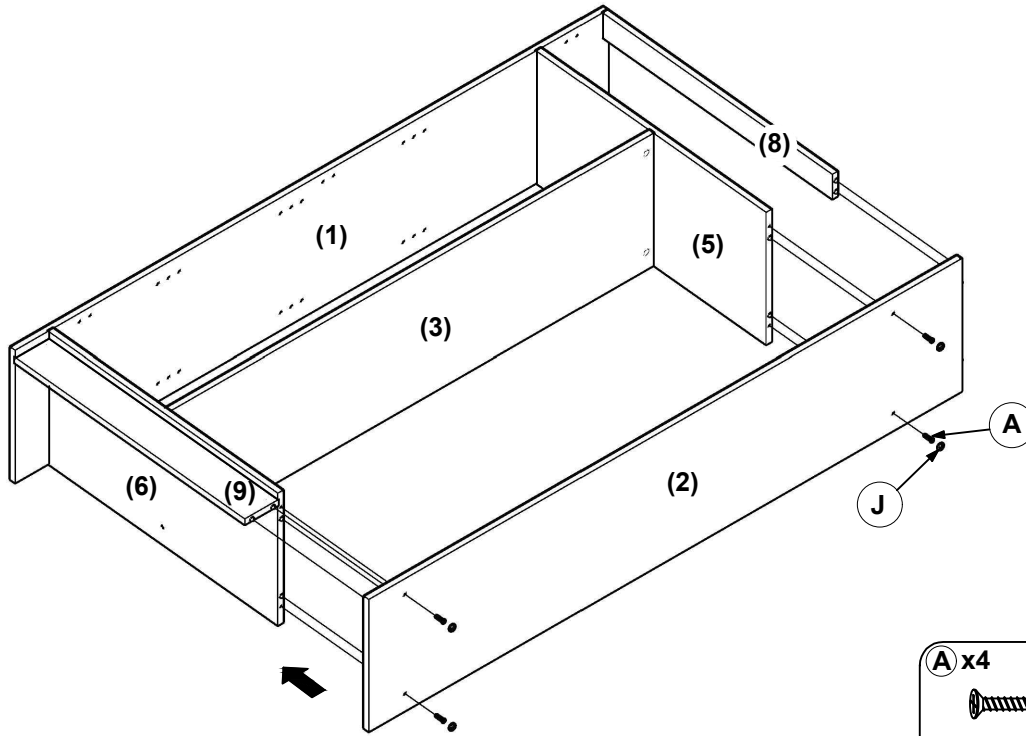
MULTI-PURPOSE BROOM CUPBOARD 2 DOOR

SONOMA OAK

ITEM CODE : 63232

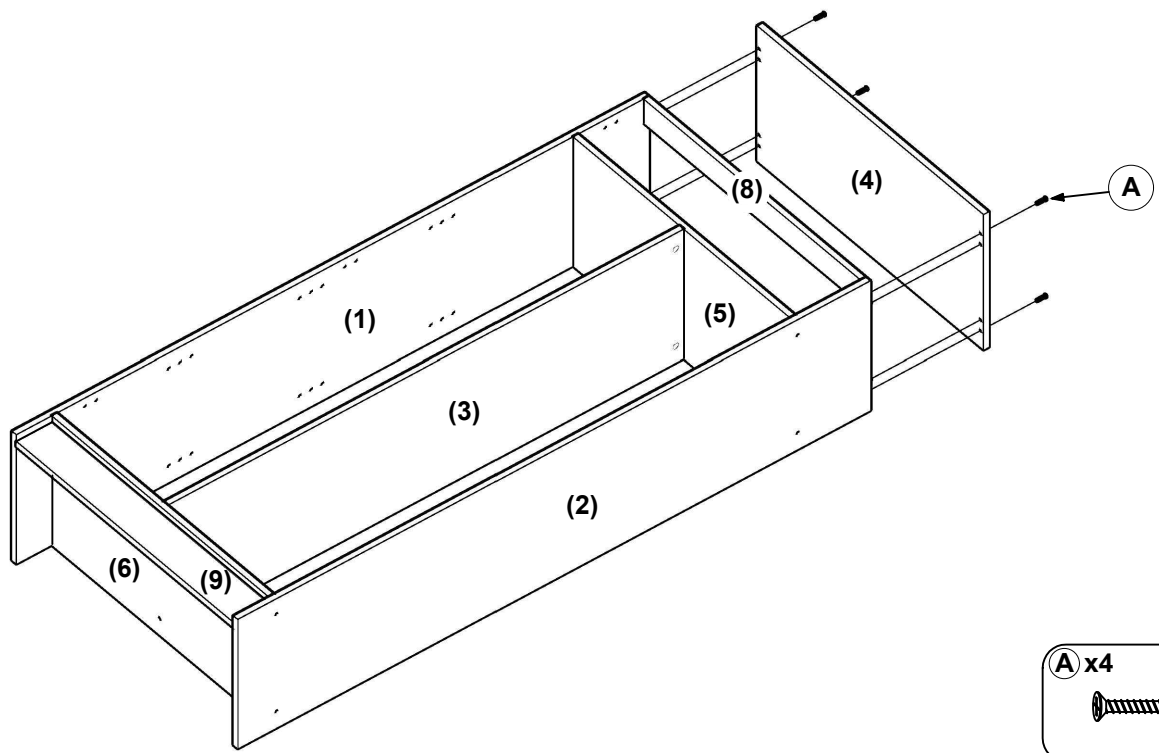
STEP 7

Align panels (5) and (6) with holes in (2) as shown and secure with screws (A). Add screw cover (J) to complete steps.



STEP 8

Align panels (4) with holes on top of panels (1&2) as shown and secure with screws (A).



MULTI-PURPOSE BROOM CUPBOARD 2 DOOR

SONOMA OAK

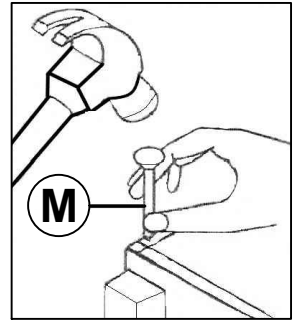
ITEM CODE : 63232

STEP 9

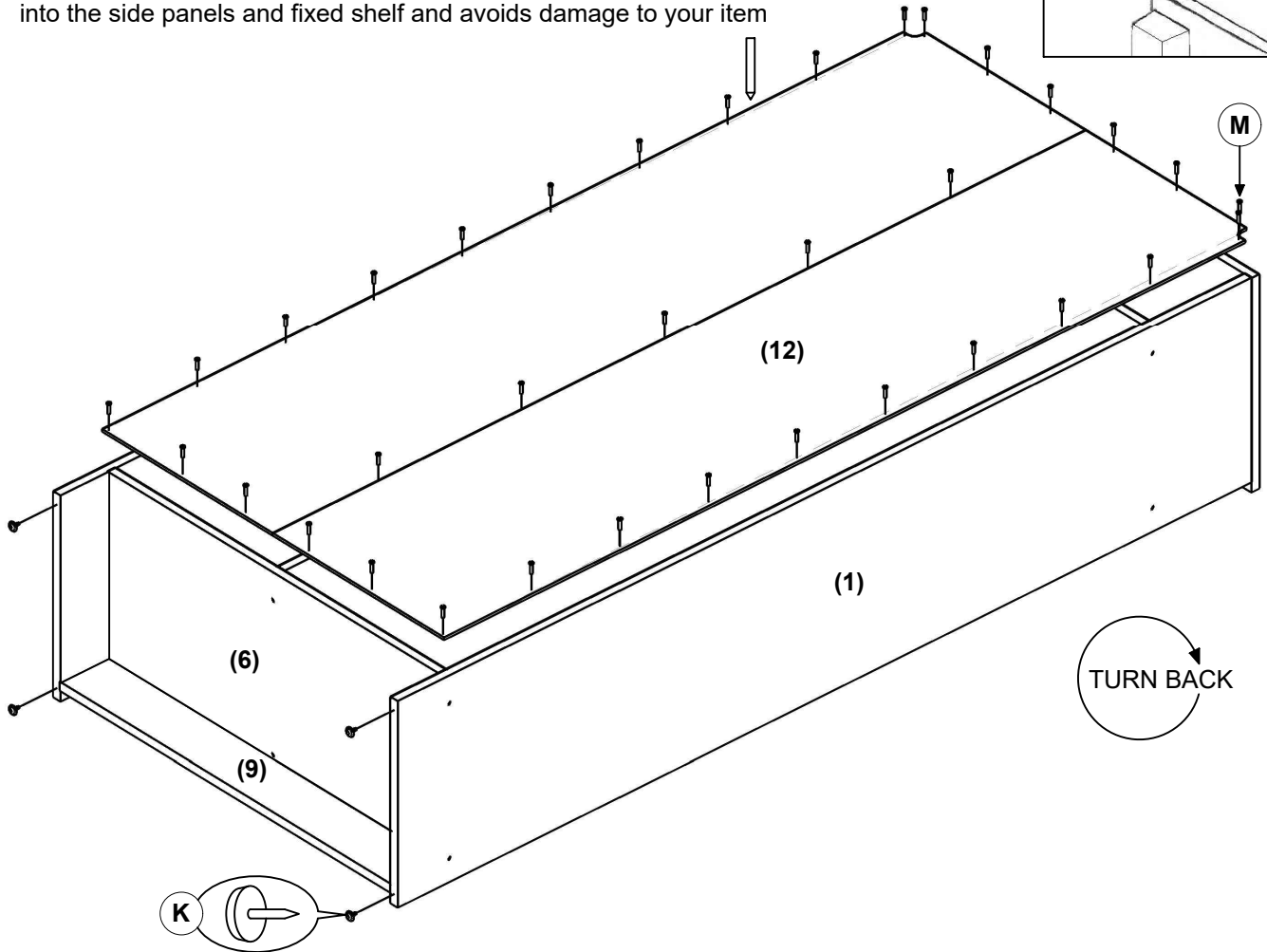
Place the back panel onto the cabinet and ensure the cut outs for the wall brackets are facing to the top, and that the laminated side of the panel is facing inwards. Mark the location of the nails (M) with a pencil then carefully secure nails with a hammer.

TIP : Ensure the raw, unlaminated side of the backing board is facing outwards. And ensure the raw edges of side & shelf panels are facing the back of the item before attaching the backing board

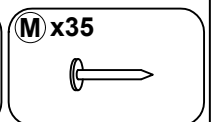
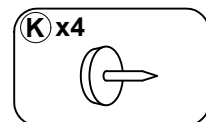
Note: With the help of a second person carefully turn your item over



Use a pencil guide to mark the position of the nails so they are centered into the side panels and fixed shelf and avoids damage to your item



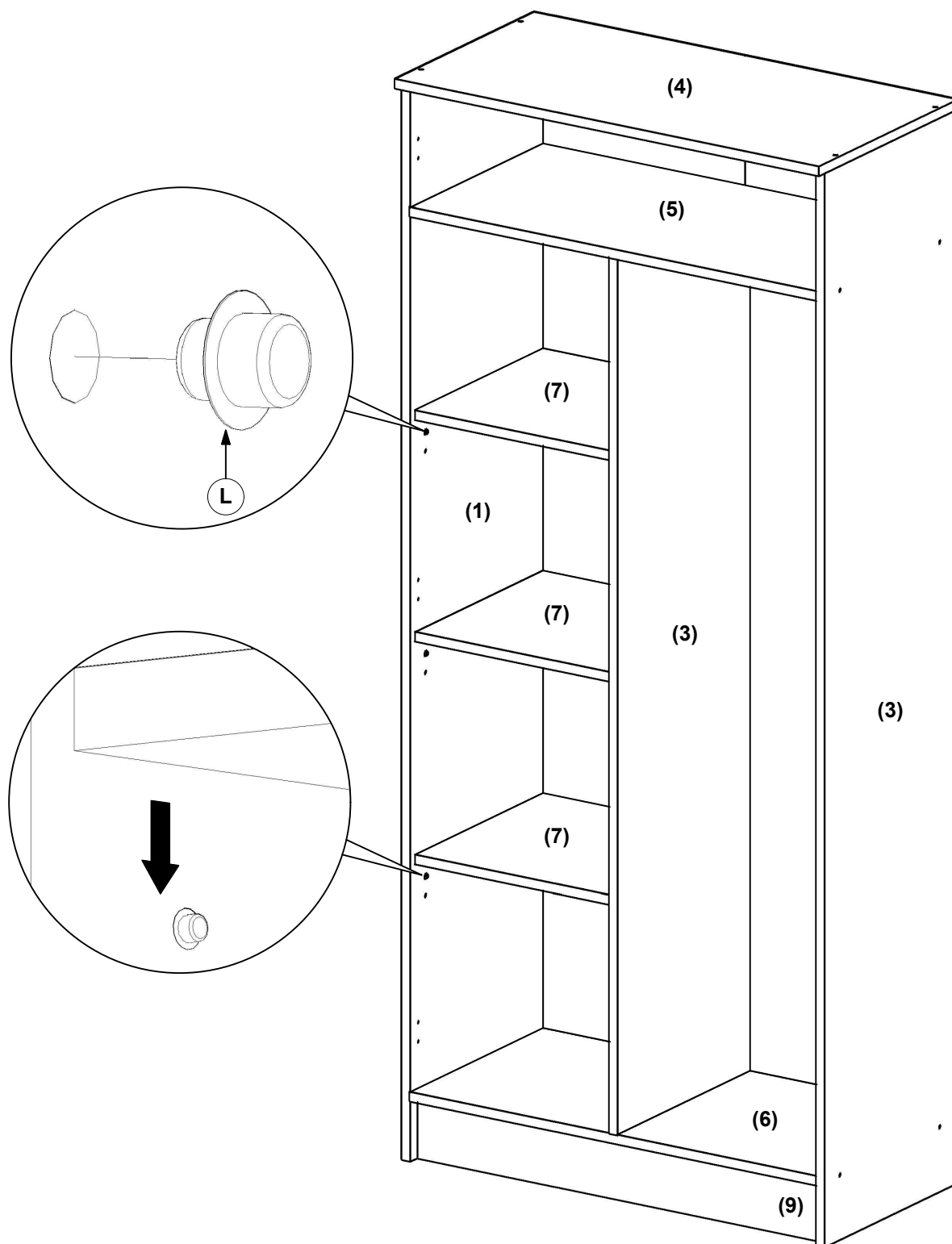
2 PERSON



MULTI-PURPOSE BROOM CUPBOARD 2 DOOR SONOMA OAK ITEM CODE : 63232

STEP 10

As shown in the picture, first place the shelf support (L) in the designated holes of No. 1 & No. 3 plates and then put No. 7 shelf on it.



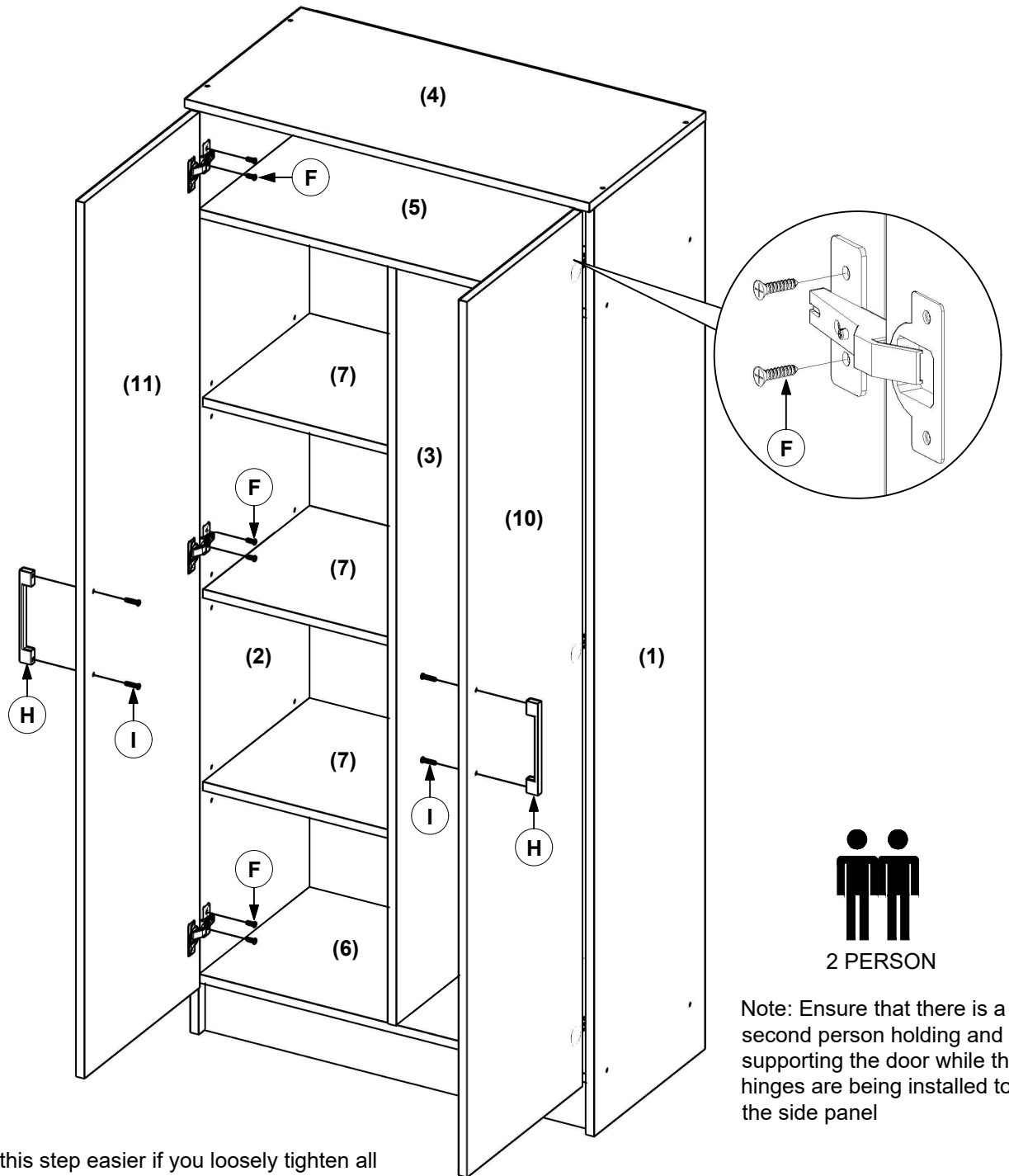
MULTI-PURPOSE BROOM CUPBOARD 2 DOOR

SONOMA OAK

ITEM CODE : 63232

STEP 11

To attach the door to the cabinet, align the door panels and hinges with the screw guide holes on the side panels. The second person has to help with this step. Install the hinge plate with screws (F) as shown. The screw should be positioned at the middle of the oval hole in the hinge plate, if you need to adjust the height of the door, you can adjust them in the final step. Attach the door handles (H) to the door panels using screws (I).



TIP: You might find this step easier if you loosely tighten all screws first into the hinge plates so that they can take the weight of the door and help to keep it straight before you fully tighten and complete the step. Hinges must be secured straight so that the door will function correctly.

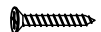
(F) x12



(H) x2



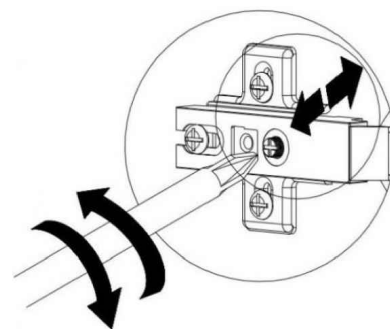
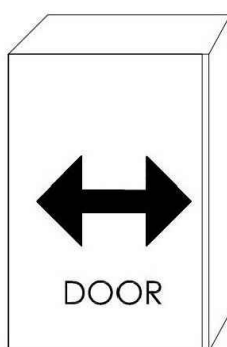
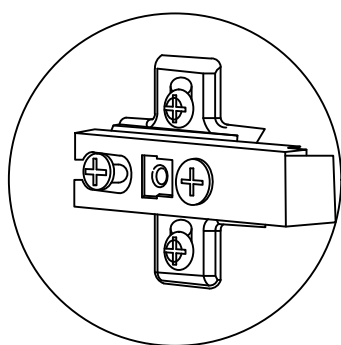
(I) x4



MULTI-PURPOSE BROOM CUPBOARD 2 DOOR SONOMA OAK

ITEM CODE : 63232

HOW TO ADJUST YOUR HINGES AND ALIGN THE DOORS



This adjustment is used if your doors are overlapping in the middle OR there is a large gap through the middle that you want to even out.

Before you begin always ensure your cupboard is on a flat even surface, as rugs and carpet / uneven tiles can affect the position of the doors.

To begin, carefully tighten/loosen the screw as shown in the diagram it will move your doors to the left or the right.

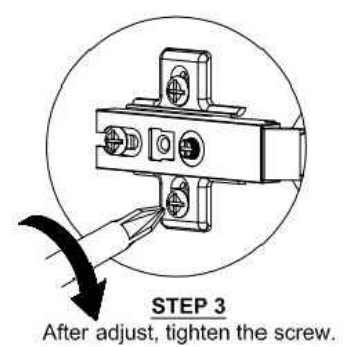
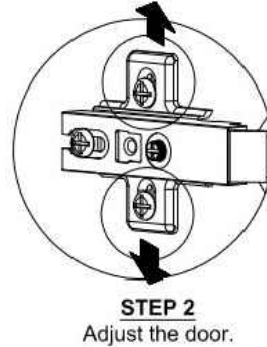
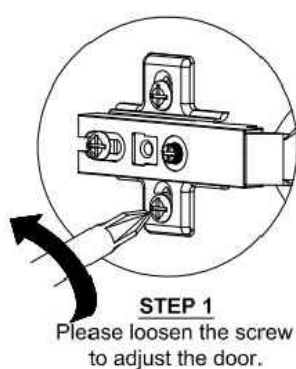
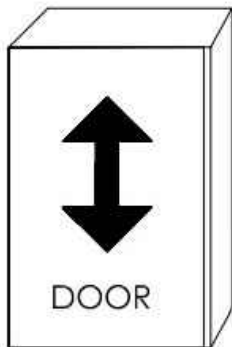
This step usually takes small adjustments and then closing doors to see if the gaps have evened out.

Sometimes just half a turn of the screw can make a big impact to the gap.

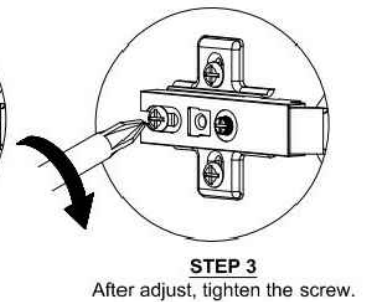
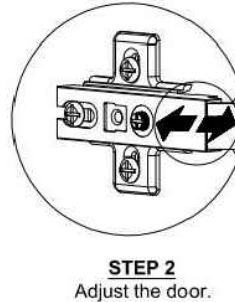
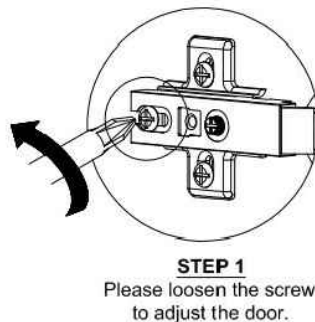
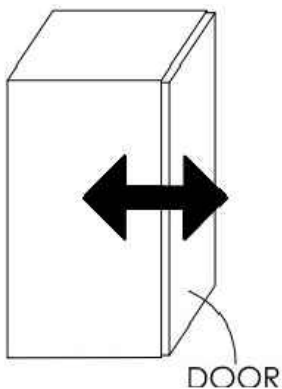
MULTI-PURPOSE BROOM CUPBOARD 2 DOOR

SONOMA OAK

ITEM CODE : 63232



This adjustment is used if your doors have a big gap at the top or the bottom, or if one door sits straight but is lower than the other door.



This adjustment is used if your doors are TOO CLOSE to the main cavity. You can loosen the screw and then move the door hinge closer or further out depending on the outcome you want to achieve

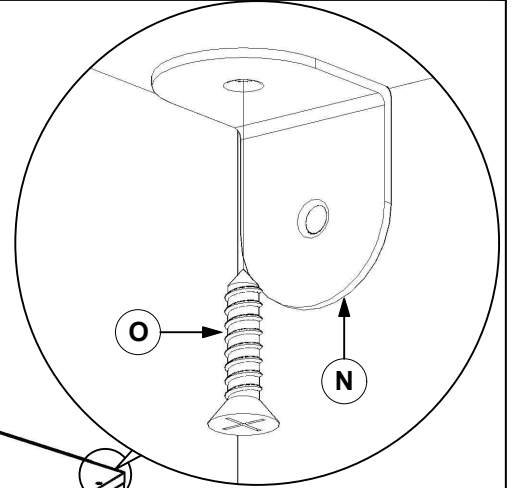
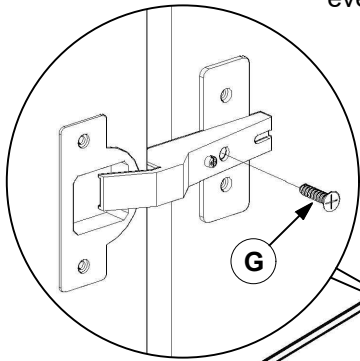
MULTI-PURPOSE BROOM CUPBOARD 2 DOOR SONOMA OAK ITEM CODE : 63232

STEP 12

Secure the L-Bracket (M) to the bottom of the panel (3) with screws (O) as shown. Then fasten the screw (G) to the designated hole.

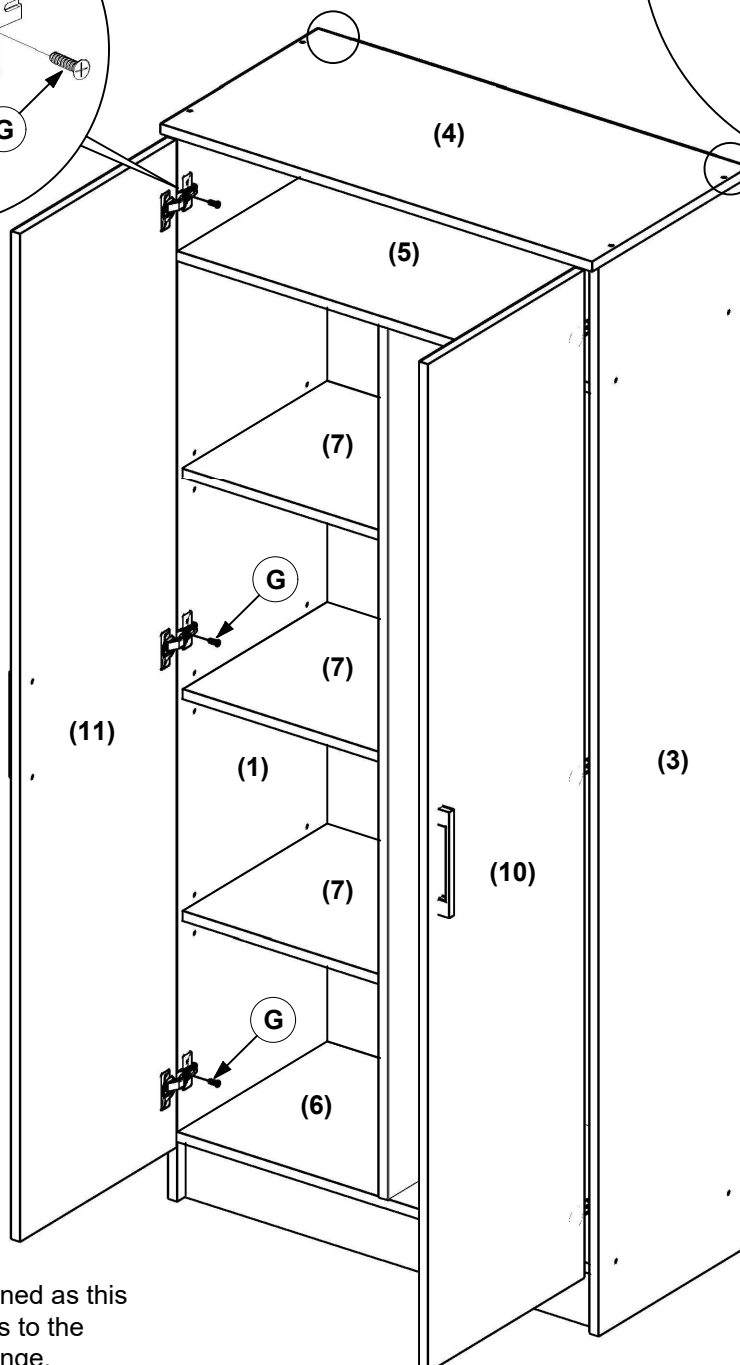
IMPORTANT:

Weight Capacity per shelf is 6kg distributed evenly across the shelf



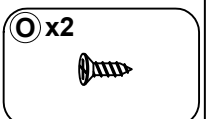
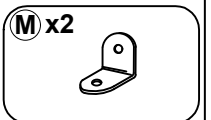
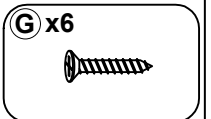
IMPORTANT:

The "G" screw should only be secured once the doors have been adjusted and are properly into position.



NOTE :

Ensure the G screw is positioned as this will further secure your hinges to the cabinet and strengthen the hinge.



MULTI-PURPOSE BROOM CUPBOARD 2 DOOR

SONOMA OAK

ITEM CODE : 63232

ASSEMBLY IS COMPLETE

WARNING

Serous or fatal crushing can occur from furniture tip over, To help prevent tip over :

- Install all tip over restraints provided with your product.
- Place heavleest Item Inside the lower doors.
- Do not sit TV's or other heavy objects on top of this product,
- Never allow children to cllmb or hang on drawers, doors, shelves.
- Never open more than one door at a time.

Use a tip over restraints may only reduce, but will not ellminate, the risk of tip over.

Bracket Fixing

The horizontal arms of the brackets are to be secured to the underside of shelf so that it is out of sight when the cabinet is installed into position.

After assembling the unit place it against the wall where it will be permently positioned.

Working from inside the cabinet place the bracket through the pre-cut hole in the rear wall of the cabinet as shown in diagram.

Use a pencil to mark through the screw hole in the bracket, where the bracket has to be attached to the wall.

- Move the cabinet away from the wall and secure the bracket to the wall at the marked position using a wall anchor suited to your wall surface.

With the wall brackets in position, move the cabinet back to the wall allowing the horizontal arm of the bracket to enter into the cabinet through the pre-cut holes in the back wall of the cabinet.

Then using the screw supplied, secure the horizontal arm of the brackets to the underside of the shelf.

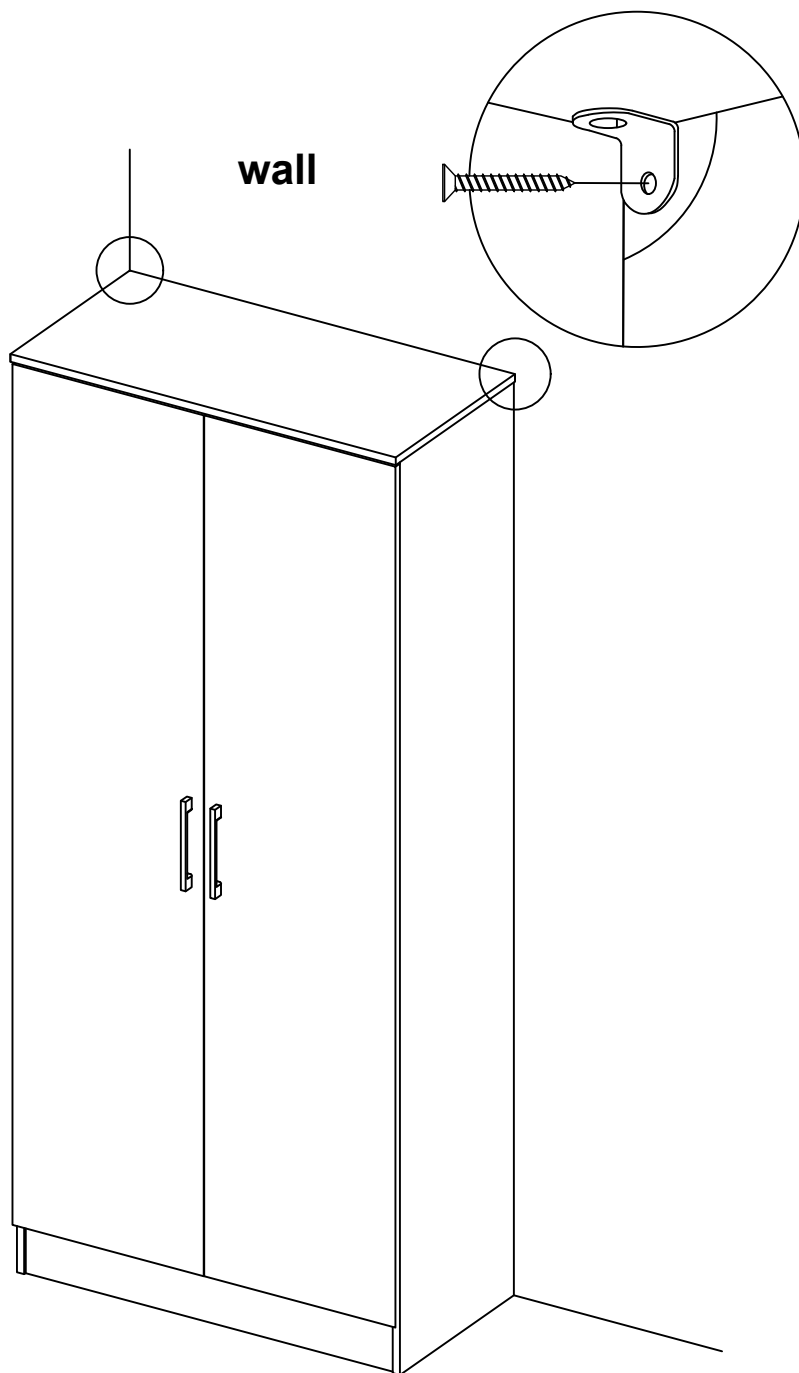
WARNING:

ENSURE THAT WALL STRAP IS ATTACHED TO AVOID SERIOUS INJURY

To avoid any serious injury, this product has been supplied with a wall strap to prevent toppling.

We strongly recommend that this product is permanently fixed to the wall or other suitable surface.

Please seek professional advice if you are in doubt of what fixing should be use.Wall fixings can be purchased from your local hardware store.



Wall Mounting & Fixing Guide

NOTE: Supplied wall plugs are only suitable for use in masonry walls.

If you have any doubts about using the correct plug for your wall, please seek professional advice. Failure of the product due to using incorrect fixings is the responsibility of the installer.



IMPORTANT:

When drilling into walls, always check for hidden wires or pipes, etc.



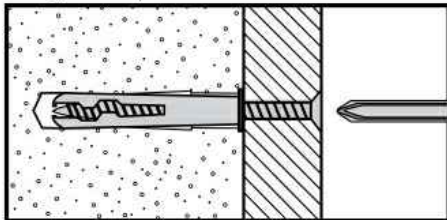
Tips & Tricks

Make sure that the hardware used is suitable for supporting your unit. Please consult a qualified tradesperson if unsure.

- ✓ If you are unsure, please select a larger screw and wall plug.
- ✓ Ensure that you use the recommended drill bit to match the wall plug and hole size.
- ✓ Take extra care when drilling high walls, ceiling and ceramic tiles. Ensure wall plugs are inserted beyond the thickness of the ceramic tiles to avoid splitting or cracking.
- ✓ Ensure that wall plugs are well fitted and are a tight fit in the drilled hole.

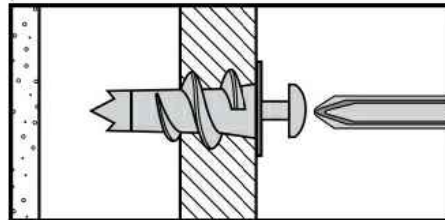
Types Of Walls

Use one of the following types of wall plug (not included) if your walls are made of brick, breeze block, concrete, stone or wood. Screws may be able to be fixed directly to solid wood walls as they will provide a secure anchor point.



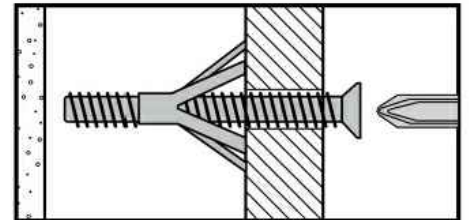
1. General Purpose Wall Plug

Generally, aerated blocks should not be used to support heavy loads, use a specialist fitting in this case. For light loads, general purpose wall plugs can be used.



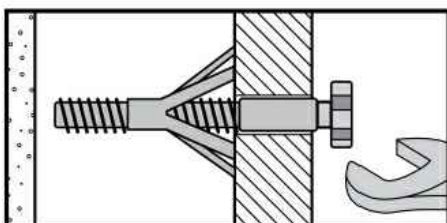
2. Plasterboard Wall Plug

For use when attaching light loads onto plasterboard partitions.



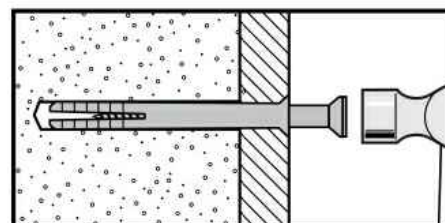
3. Cavity Fixing Wall Plug

For use with plasterboard partitions or hollow wooden doors.



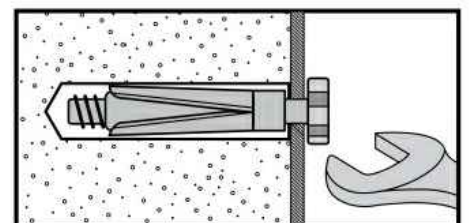
4. Cavity Fixing Heavy Duty Wall Plug

For use when fitting or supporting heavy loads such as shelving and wall cabinets.



5. Hammer Fixing Wall Plug

For use with concrete block or brick walls, or walls stuck with plasterboard. The hammer fixing allows it to be fixed to the wall rather than the plasterboard. Always check the fixing is secure to



6. Shield Anchor Wall Plug Heavy Loads

For use with concrete or brick walls, or for use with heavier loads such as TV & HiFi speakers and satellite dishes, etc.



Warranty Certificate

Congratulations! You have made an excellent choice of this quality product. Our commitment to quality also includes our service. Should you, contrary to expectations, experience defects due to manufacturing faults, **Meubilair Direct Imports** will provide you with a warranty against defects as follows:

Warranty

The product is guaranteed to be free from defects in workmanship and parts for a period of 12 months from the date of purchase. Defects that occur within this warranty period, under normal use and care, will be repaired, replaced or refunded at our discretion. The benefits conferred by this warranty are in addition to all rights and remedies in respect of the product that the consumer has under the Competition and Consumer Act 2010 and similar state and territory laws.

Our goods come with guarantees that cannot be excluded under the Australian Consumer Law. You are entitled to a replacement or refund for a major failure and for compensation for any other reasonably foreseeable loss or damage. You are also entitled to have the goods repaired or replaced if the goods fail to be of acceptable quality and the failure does not amount to a major failure.

Proof of Purchase

This warranty is valid for the original purchase and is not transferable. Please keep your purchase docket, tax invoice or receipt as the best proof of purchase, and as proof of date on which the purchase was made.

Normal Wear and Tear

This warranty does not cover normal wear and tear to the products or parts.

Exclusions

This warranty does not cover:

- Any defects caused by an accident, misuse, abuse, improper installation or operation, lack of reasonable care, unauthorized modification, loss of parts, tampering or attempted repair by a person not authorized by the distributor.
- Any product that has not been installed, operated or maintained in accordance with the manufacturers' operating instructions provided with the product.
- Any product that has been used for purposes other than domestic use.
- Any damage caused by improper power input or improper cable connection.

MEUBILAIR DIRECT IMPORTS PTY LTD

Customer Service

Email: cs@meubilair.com.au

Address: Unit 4, 16 Hickeys Road, Penrith, NSW, 2750

Opening hours: 9am to 4pm (Monday – Friday)

Contact Number: (02) 4701 5363

When making a return, please ensure the product is properly packaged, so as to ensure that no damage occurs to the product during transit. Please provide the original or a copy of the proof of purchase. Also please make sure you have included an explanation of the problem. Please note that the costs of making a warranty claim, including any return postage, will be covered by the supplier identified above. Please note upon receiving your warranty claim, the supplier will send, via the post or email, a repair and refurbished goods or parts notice. Please provide your email address and advise the supplier, if you wish to obtain a repair and refurbished goods or parts notice via email.

AFTER SALES SUPPORT

EMAIL : cs@meubilair.com.au

Product code: 63232





MEUBILAIR
DIRECT IMPORTS

Warranty Certificate

PRODUCT NAME: Multipurpose Broom Cupboard 2 Door Sonoma Oak

BRAND NAME:

PRODUCT CODE: 63232

NAME

ADDRESS

EMAIL DAYTIME TEL NO

DATE OF PURCHASE

SERIAL NUMBER

We recommend that you attach a photocopy of your receipt, showing the date of purchase, to this Warranty certificate and **keep for your reference.**

In the event of a product fault, please email the Customer Service team. Please ensure that you include the product details (as shown on the card) at hand so that we are able to respond as quickly and efficiently as possible.

MEUBILAIR DIRECT IMPORTS PTY LTD

Customer Service

Email: cs@meubilair.com.au

Address: Unit 4, 16 Hickeys Road, Penrith, NSW, 2750

Opening hours: 9am to 4pm (Monday – Friday)

Contact Number: (02) 4701 5363

AFTER SALES SUPPORT

EMAIL : cs@meubilair.com.au

Product code: 63232

