

# Chloe 2 Drawer Console Table

**60min**

APPROXIMATE ASSEMBLY TIME

2 PERSON ASSEMBLY

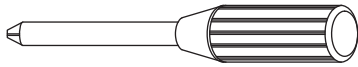


FLOOR AREA  
2M x 2M

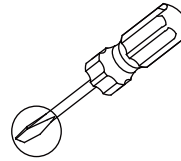
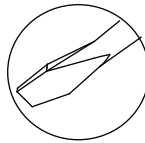


REQUIRED ASSEMBLY SPACE

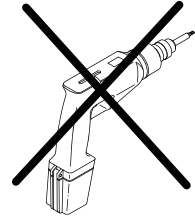
REQUIRED ASSEMBLY TOOLS



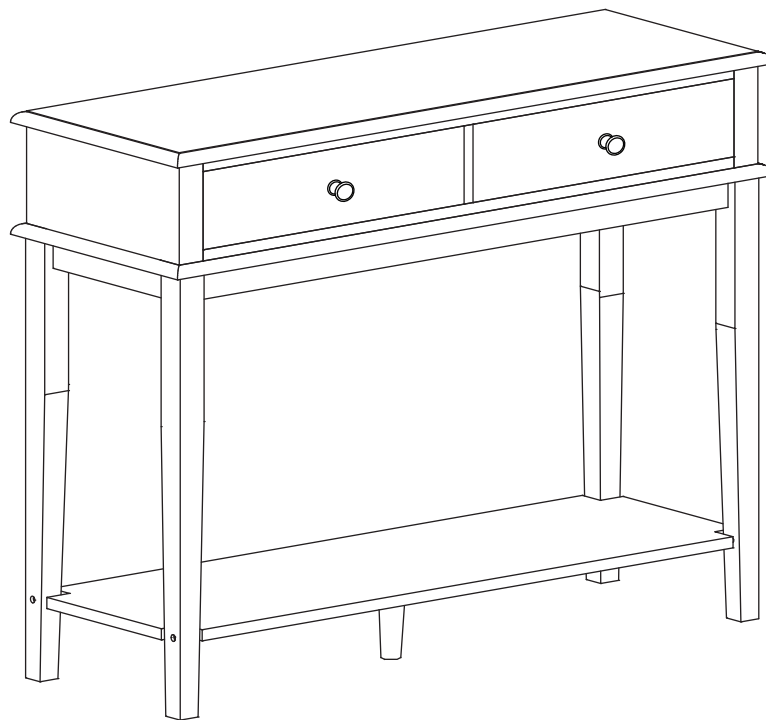
PHILLIPS SCREWDRIVER



Flat Head screwdriver



DO NOT USE POWER DRILL



# Chloe 2 Drawer Console Table

## **Important**

Please read these instructions carefully before use and keep for future reference.

- This product is intended for domestic use only and is not designed for commercial use.
- Do not assemble/use this item if any components are missing or damaged.  
Please contact the retailer straight away.
- DO NOT attempt to modify your item as this will void your warranty.  
Please call the retailer for required parts.
- Assembly to be carried out by a competent adult only.
- During assembly children should be kept away from the product due to possible risk of injury.

**Please refer to separate Warranty Certificate for full warranty details and information.**

## **Tips before you start:**

- **Please check that all parts are present before you start the assembly of your furniture.  
Please do not start to build your item if any parts are damaged as this may void your warranty. Please contact the retailer immediately so they can advise what you should do.**
- **For ease and speed of assembly, we recommend that before you commence each step of the assembly, that you identify all the parts required for that step.**

# Chloe 2 Drawer Console Table

## Assembly Tips

1. For larger items, please ensure that you have sufficient space and people (as indicated on page 1) to assemble your product safely.
2. We recommend that, where possible, all items are assembled near to the area in which they will be placed in use, to avoid moving the product unnecessarily once assembled.
3. For the protection of your furniture, we recommend that the product is placed on a protected surface during assembly to prevent any damage.
4. During assembly please take care not to over-tighten any fittings, as this may damage the product.
5. Always place the product on a flat, steady and stable surface.
6. Do not stand on the product. Do not use the product as a stepladder.
7. This product is intended for indoor, household use only as it is non industrial product.
8. Use of power tools is NOT recommended for assembling this product.
9. Due to the painted finish of this product, when first opening the carton and assembling, the smell of paint may be noticeable. If there is any smell of paint it will dissipate over a short period of time. The paint is non-toxic and contains no lead. Please contact the retailer you purchased this item from if you have any concerns.
10. Please use caution and care when lifting the product to avoid personal injury and/or damage.

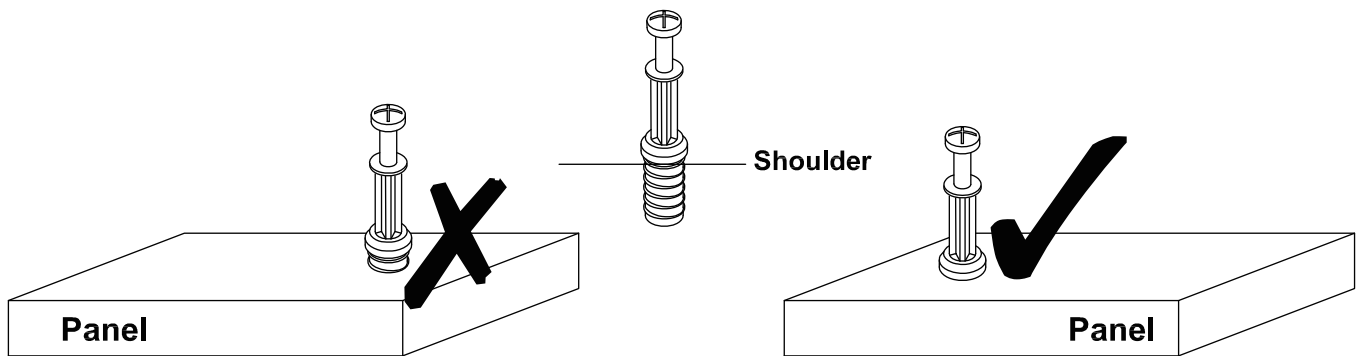
## Care and Maintenance of your Furniture

- Please periodically check all fittings and re-tighten as necessary.
- To clean your item, please use a damp cloth and wipe clean. Never use harsh chemicals or strong detergents as this could damage the finish of your product.
- Never allow any kind of liquid to remain on your furniture. Absorption can cause wood to warp or finishes to de-laminate.
- Avoid placing sharp objects on the surface as this may scratch the surface. It is recommended to use trivets or coasters under flowerpots, vases, cups etc to avoid damage to your item.
- Please do not place hot/cold items (eg. Hot drinks) directly on to the surface.
- Do not pull or drag your item. Ensure its evenly supported and lifted while moving it.

# Chloe 2 Drawer Console Table

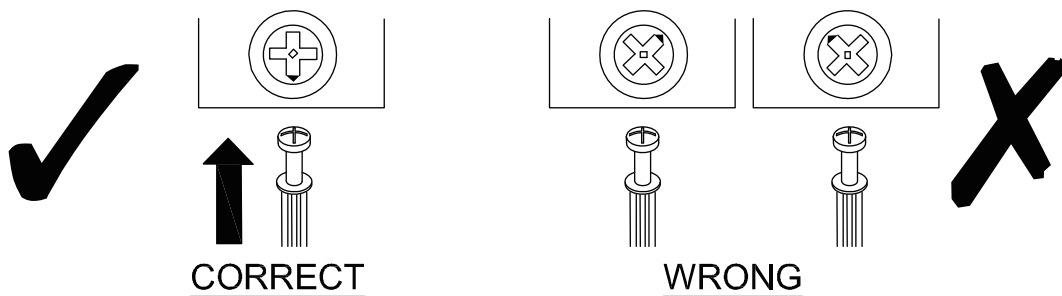
Tips before you start:

## QUICKFIT



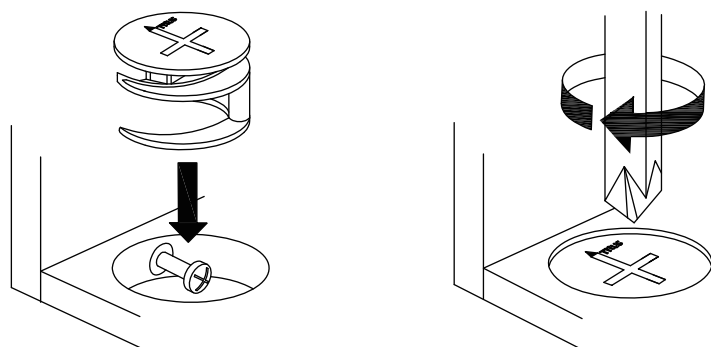
Tighten quickfit until shoulder is flush with panel. Do not overtighten or undertighten.

## CAM LOCK



When fitting cam lock, ensure starting position is correct before you insert connecting quickfit.

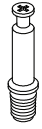
Quickfit head should be in the centre of the cam lock when the two panels are joined.  
Cam lock should be inserted before quickfit.



Turn cam lock clockwise to tighten.

# Chloe 2 Drawer Console Table

## HARDWARE LIST



Cam Bolt  
Ax10



Cam Lock  
Bx10



( $\varnothing$ 8x30mm)  
Wooden Dowel  
Cx6



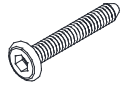
Screw  
Dx24



Screw  
Ex16



Screw  
Fx28



Bolt  
Gx8



Bolt Nut  
Hx8



Handle  
Ix2



Screw  
Jx2



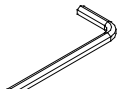
Floor Pads  
Kx4



( $\varnothing$ 6x30mm)  
Wooden Dowel  
Lx4



Stickers  
Mx4



Allen Key  
Nx1



Washer  
Ox4



Washer  
Px4



Anti-tip Bracket  
Qx2



Screw  
Rx2



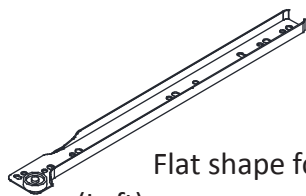
Plastic Insert  
Sx2



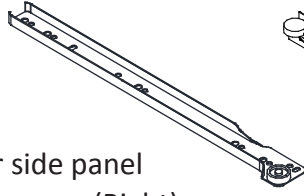
Leveler  
X x1



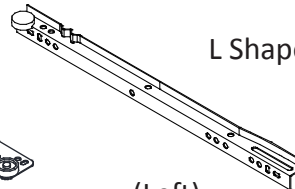
Washer  
Y x4



(Left)  
Slider  
Tx2

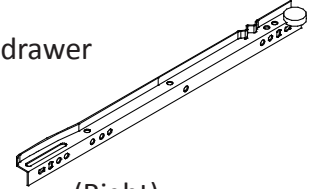


(Right)  
Slider  
Ux2



(Left)  
Slider  
Vx2

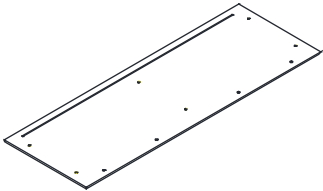
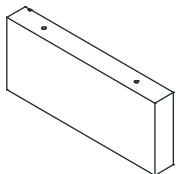
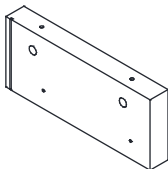
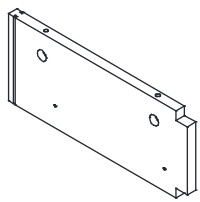
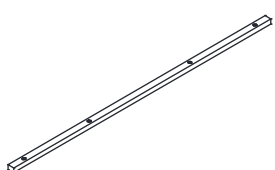
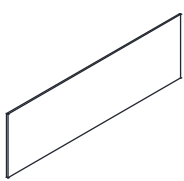
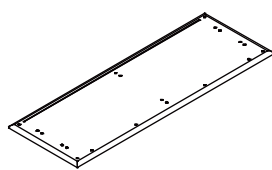
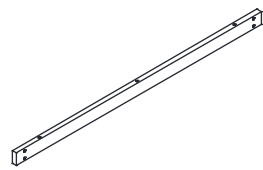
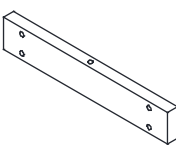
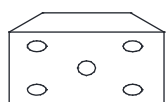
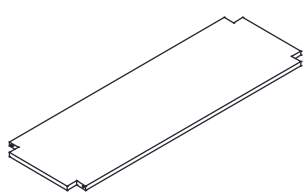


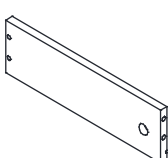
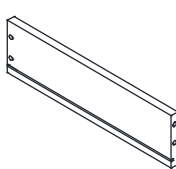
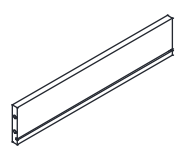
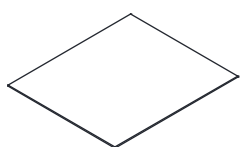
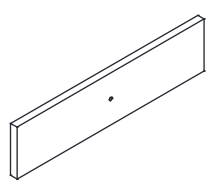

L Shape for drawer



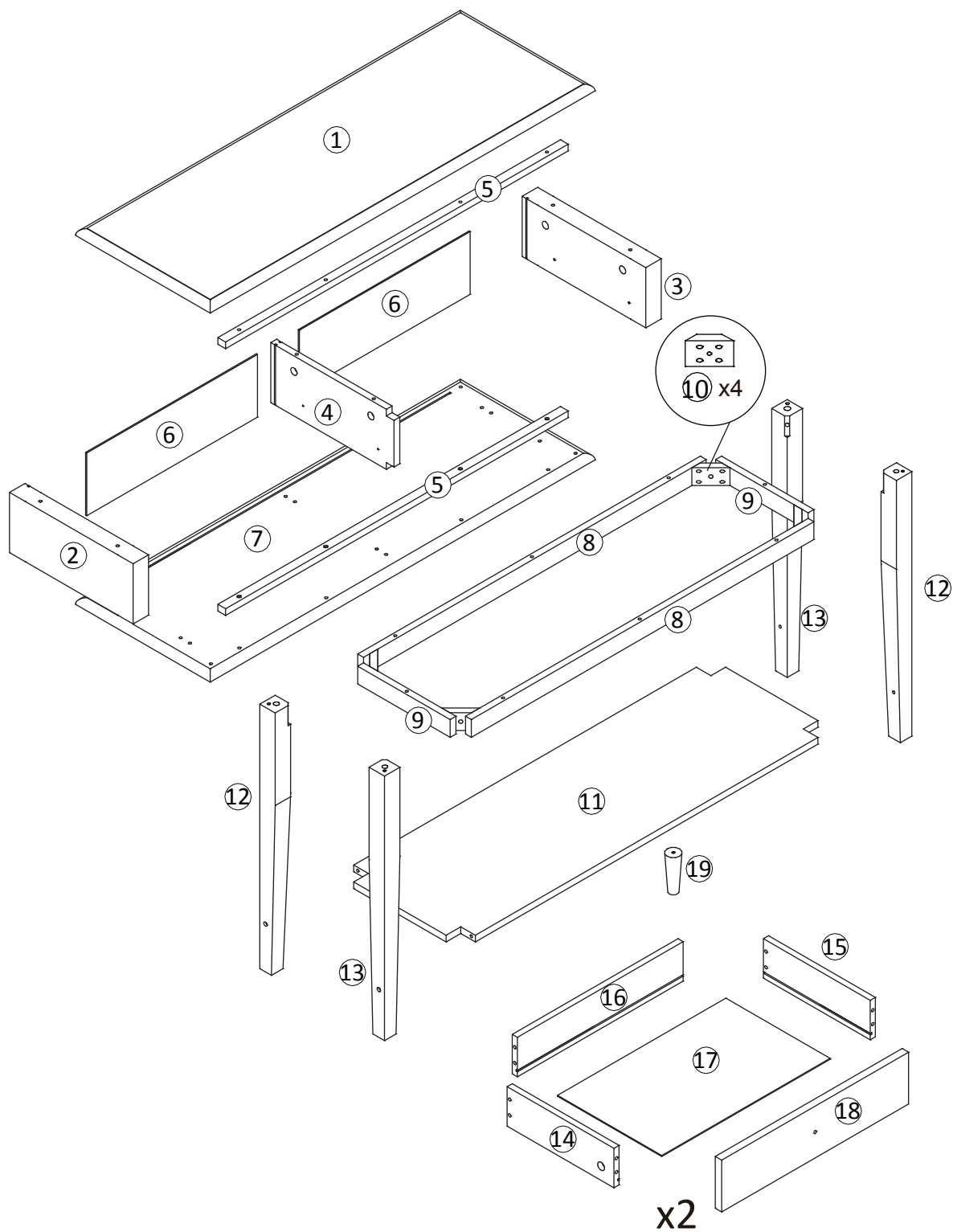
(Right)  
Slider  
Wx2

# Chloe 2 Drawer Console Table

## PARTS LIST

			
1   1PC	2   1PC	3   1PC	4   1PC
			
5   2PCS	6   2PCS	7   1PC	8   2PCS
			
9   2PCS	10   4PCS	11   1PC	12   2PCS
			
13   2PCS	14   2PCS	15   2PCS	16   2PCS
			
17   2PCS	18   2PCS	19   1PC	

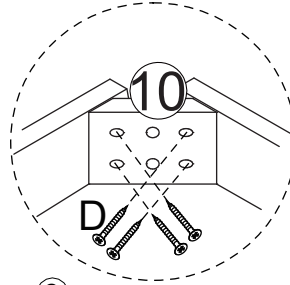
# Chloe 2 Drawer Console Table



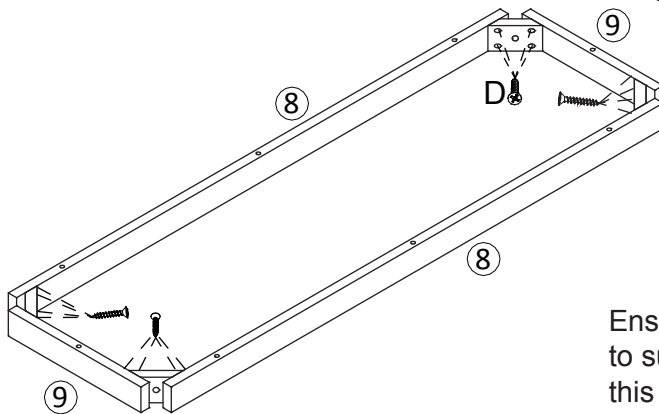
# Chloe 2 Drawer Console Table

## STEP 1

Please line up all the slats of 8/9, make sure the frame on a flat surface, all screws D in the correct position, then tighten the screws D.



  
16 x D



Ensure the 2nd person is holding the panels 8 9 to support them until this step is completed, this will avoid damage to your item.

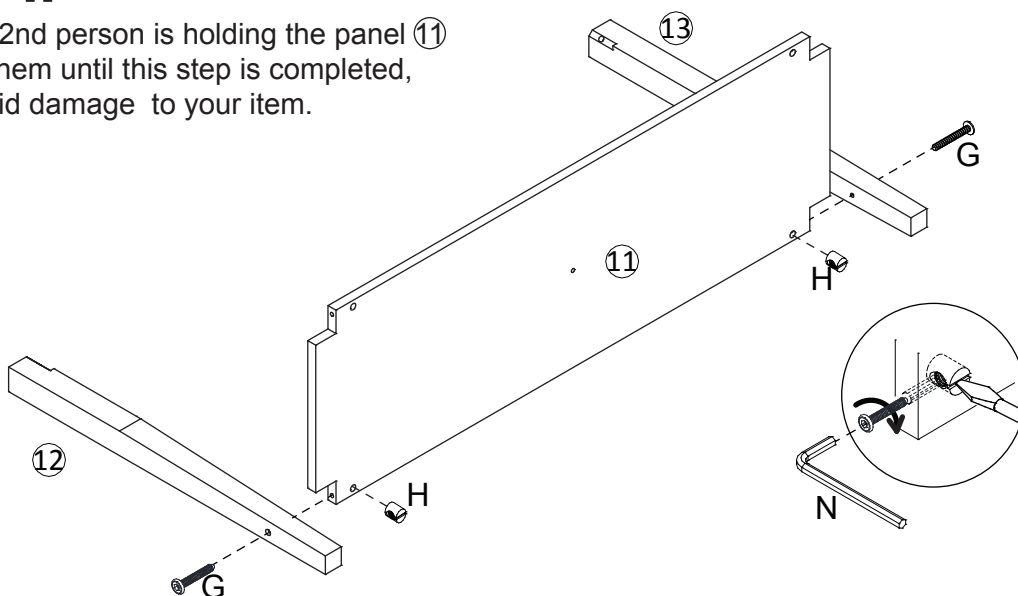
## STEP 2



Ensure the 2nd person is holding the panel 11 to support them until this step is completed, this will avoid damage to your item.

  
2 x G

  
2 x H

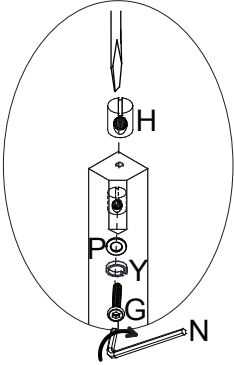




# Chloe 2 Drawer Console Table

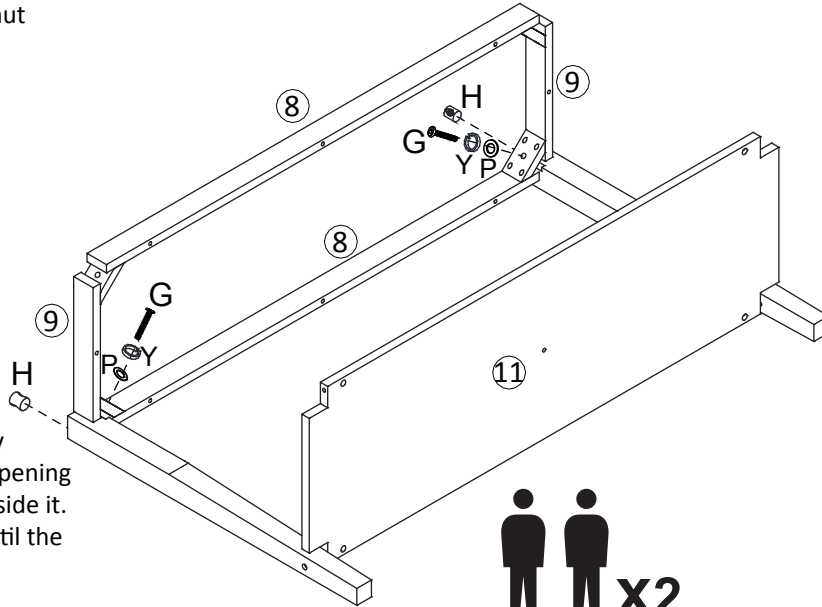
## STEP 3

Attention! make sure the nut hole in position.



NOTE: Ensure the nut is correctly inserted into the hole with the opening facing out so the screw will fit inside it. Use screwdriver to adjust nut until the hole is visible.

NOTE: Please ensure the legs and table aprons align with each other and are straight before you tighten screws the whole way in.



2 x G



2 x H



2 x P



2 x Y

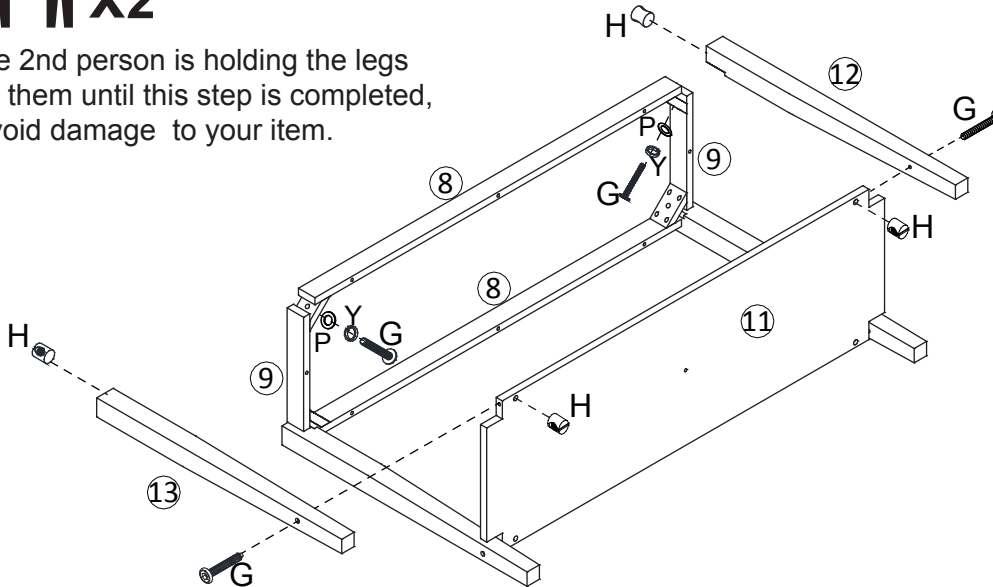


Ensure the 2nd person is holding the panels 8/9 to support them until this step is completed, this will avoid damage to your item.

## STEP 4



Ensure the 2nd person is holding the legs to support them until this step is completed, this will avoid damage to your item.



4 x G



4 x H



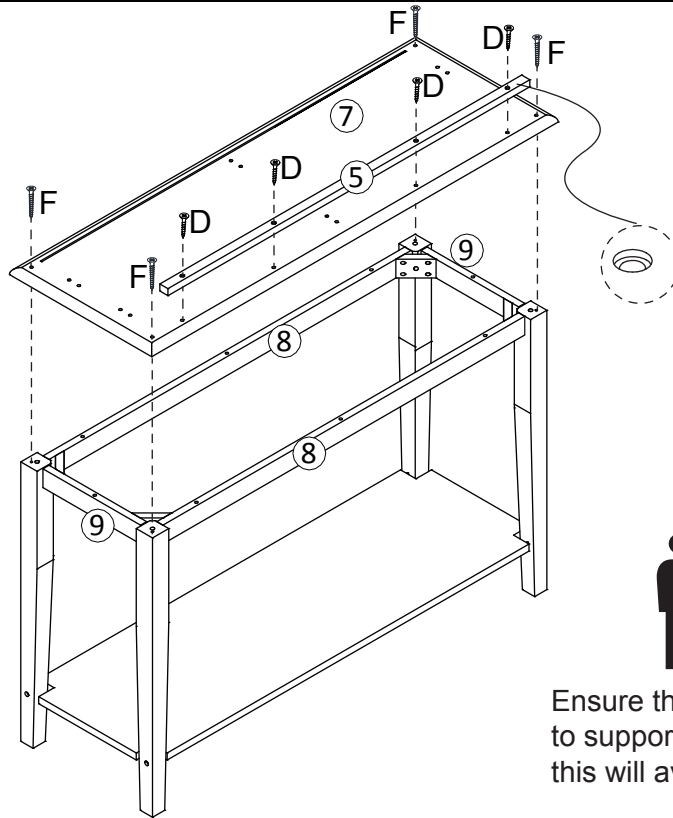
2 x P



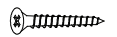
2 x Y

# Chloe 2 Drawer Console Table

## STEP 5



4 x D



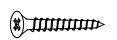
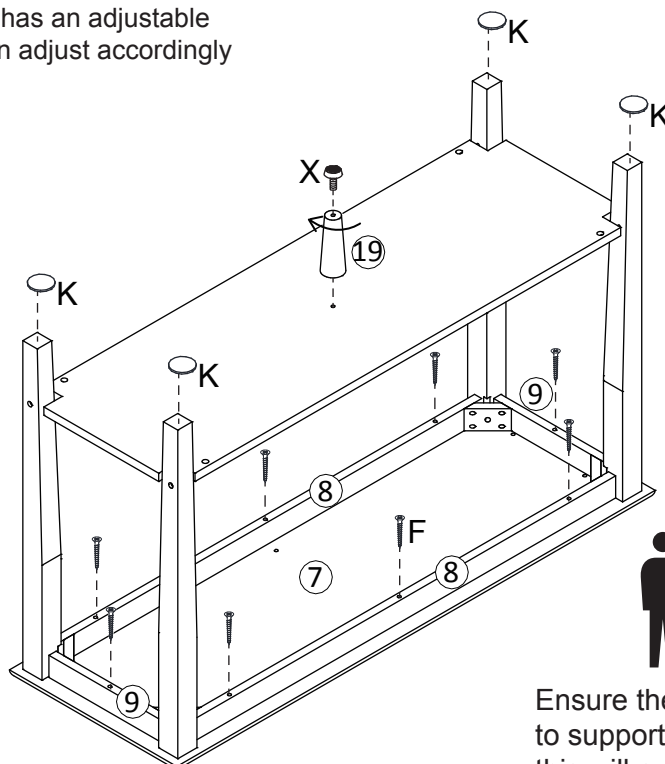
4 x F



Ensure the 2nd person is holding the legs to support them until this step is completed, this will avoid damage to your item.

## STEP 6

The centre support leg has an adjustable foot pad so that you can adjust accordingly to your flooring



8 x F



4 x K



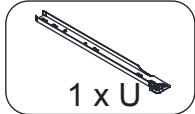
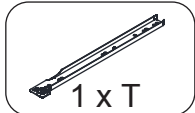
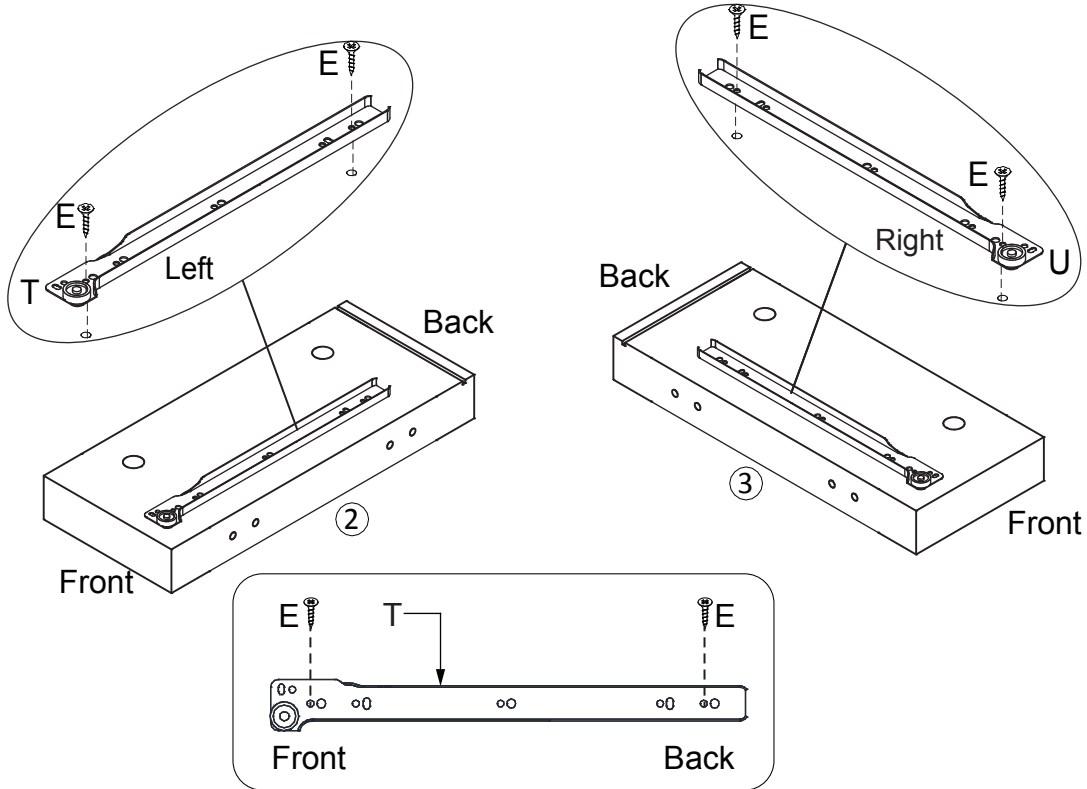
1 x X



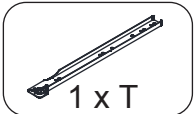
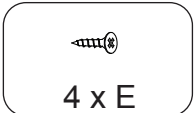
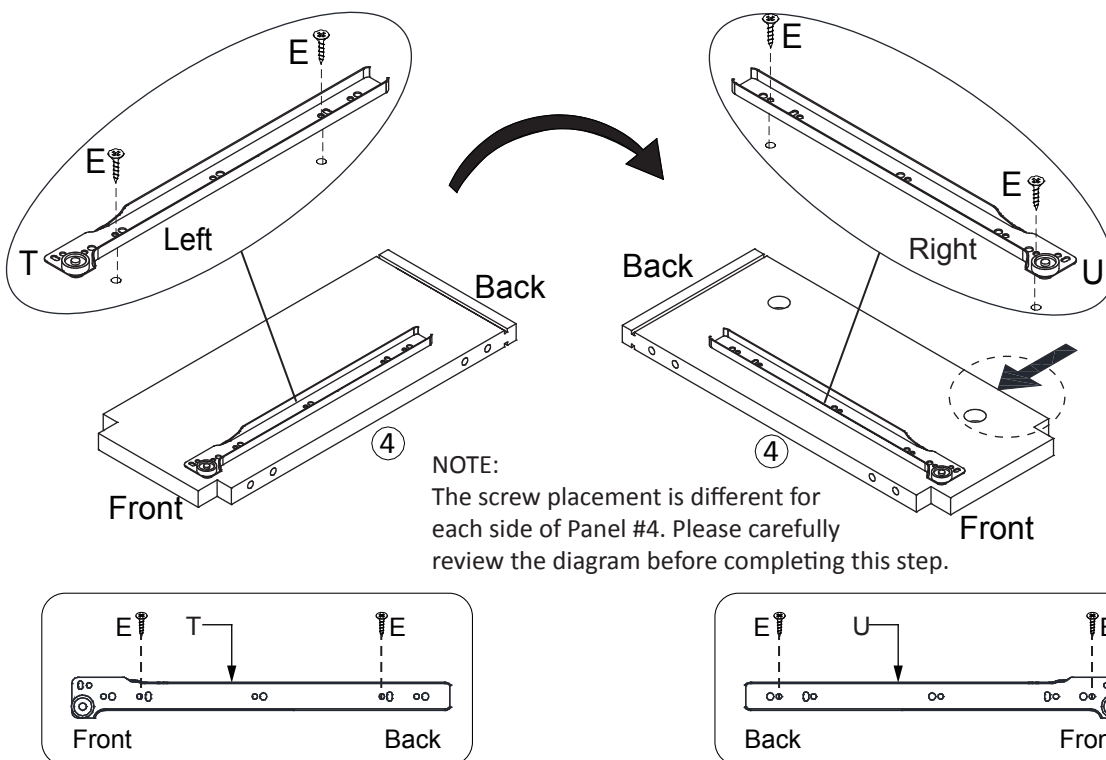
Ensure the 2nd person is holding the legs to support them until this step is completed, this will avoid damage to your item.

# Chloe 2 Drawer Console Table

## STEP 7



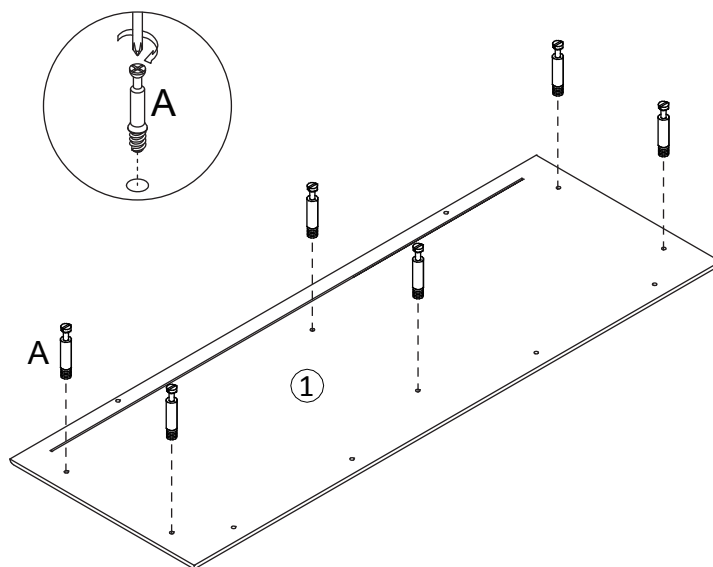
## STEP 8



**NOTE:**  
The screw placement is different for each side of Panel #4. Please carefully review the diagram before completing this step.

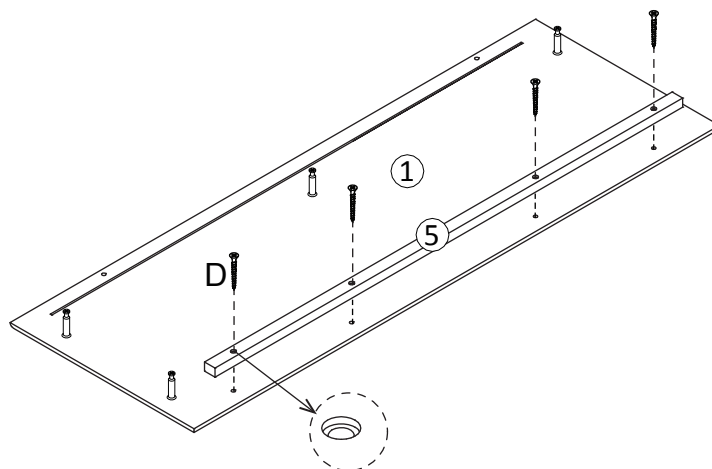
# Chloe 2 Drawer Console Table

## STEP 9



6 x A

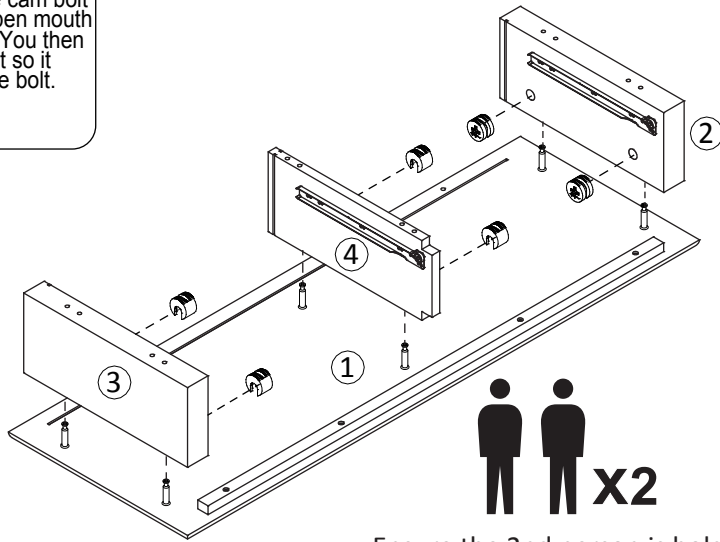
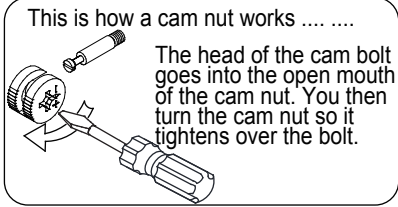
## STEP 10



4 x D

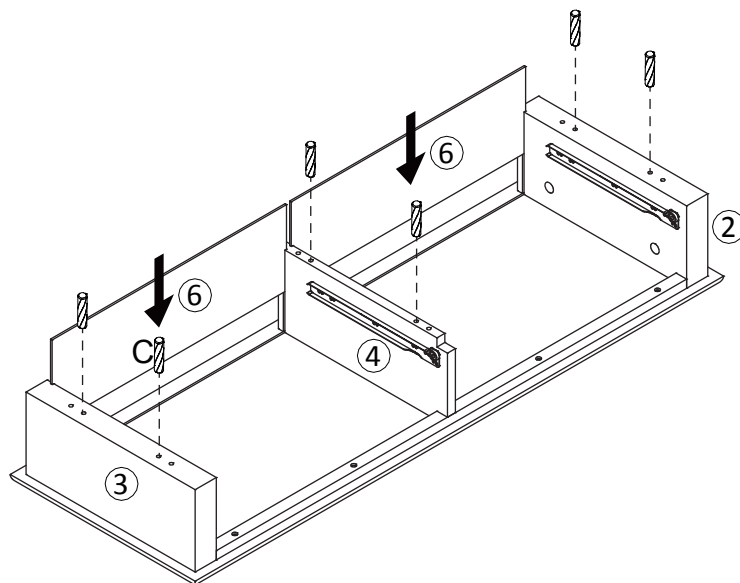
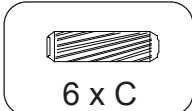
# Chloe 2 Drawer Console Table

## STEP 11



Ensure the 2nd person is holding the panels ② ③ ④ to support them until this step is completed, this will avoid damage to your item.

## STEP 12

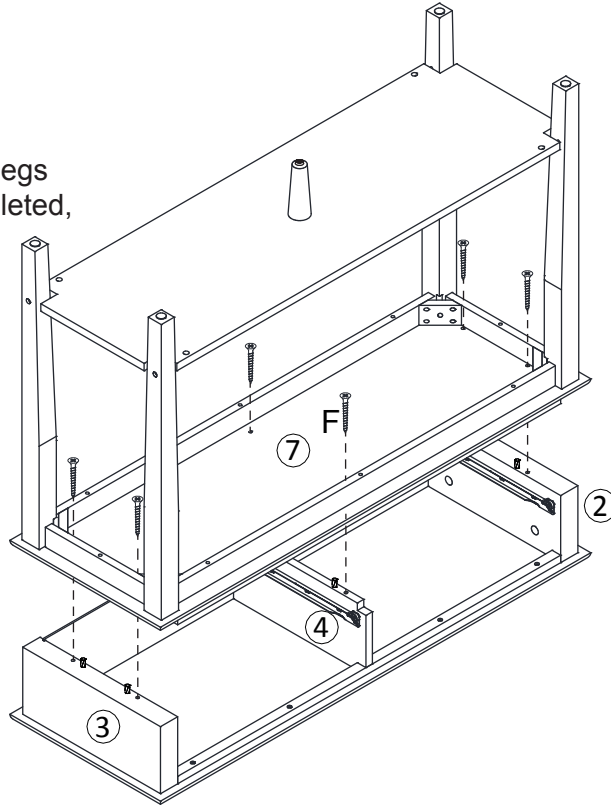


# Chloe 2 Drawer Console Table

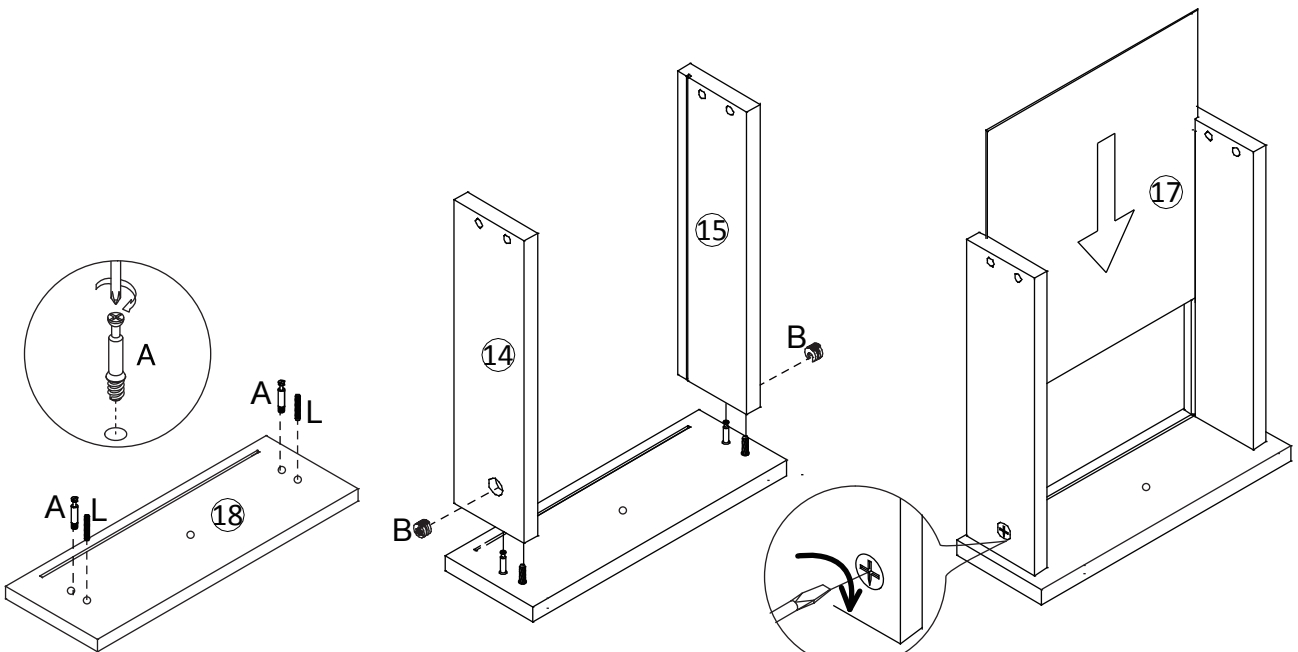
## STEP 13



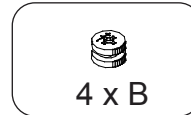
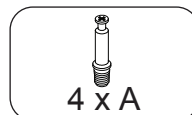
Ensure the 2nd person is holding the legs to support them until this step is completed, this will avoid damage to your item.



## STEP 14

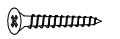
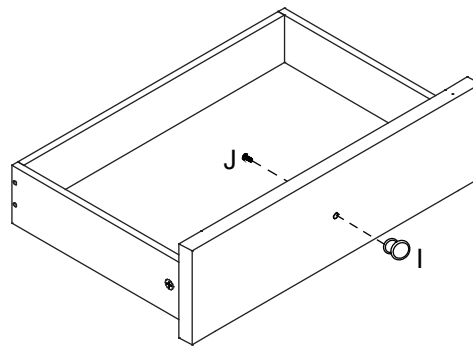
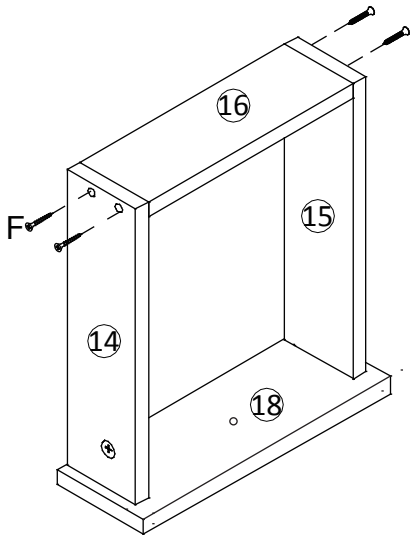


x2



# Chloe 2 Drawer Console Table

## STEP 15



8 x F



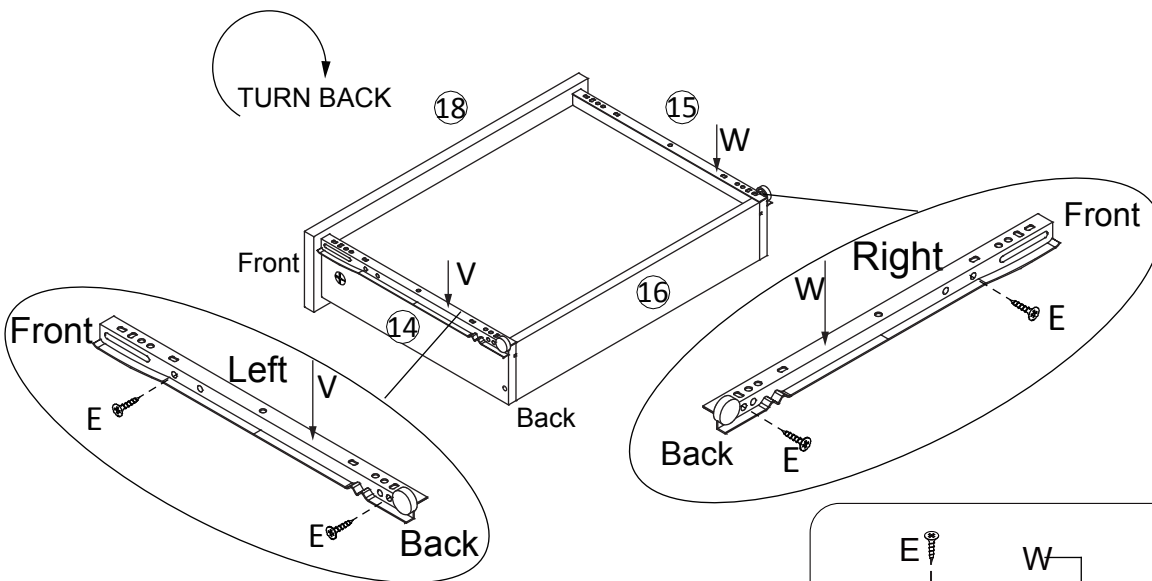
2 x I



2 x J

x2

## STEP 16



8 x E

2 x V

2 x W

x2

# Chloe 2 Drawer Console Table

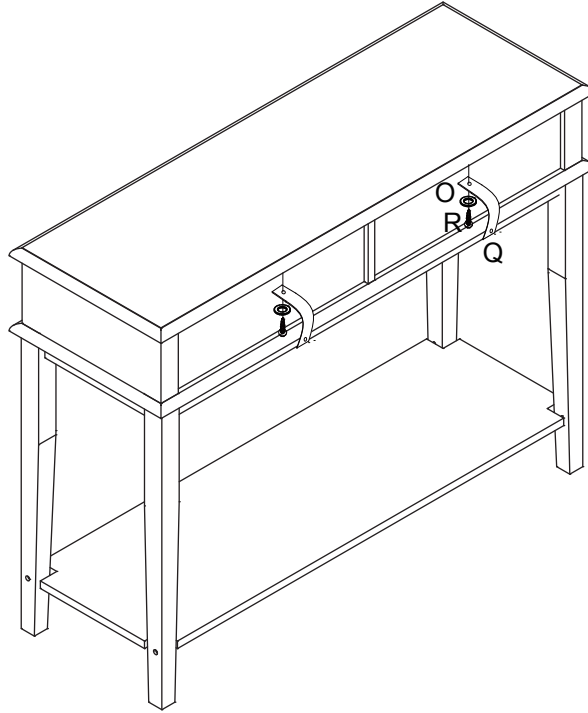
## STEP 17

**⚠ WARNING: ENSURE THAT WALL STRAP IS ATTACHED TO AVOID SERIOUS INJURY**

To avoid any serious injury, this product has been supplied with a wall strap to prevent toppling. We strongly recommend that this product is permanently fixed to the wall or other suitable surface.

Wall fixing hardware has been supplied which is suitable for use only on a concrete wall. Please seek professional advice if you are in doubt of what fixing should be used.

Additional wall fixing hardware can be purchased from your local hardware store if the ones supplied are not suitable for your surface.



2 x Q



2 x R



2 x O

## STEP 18

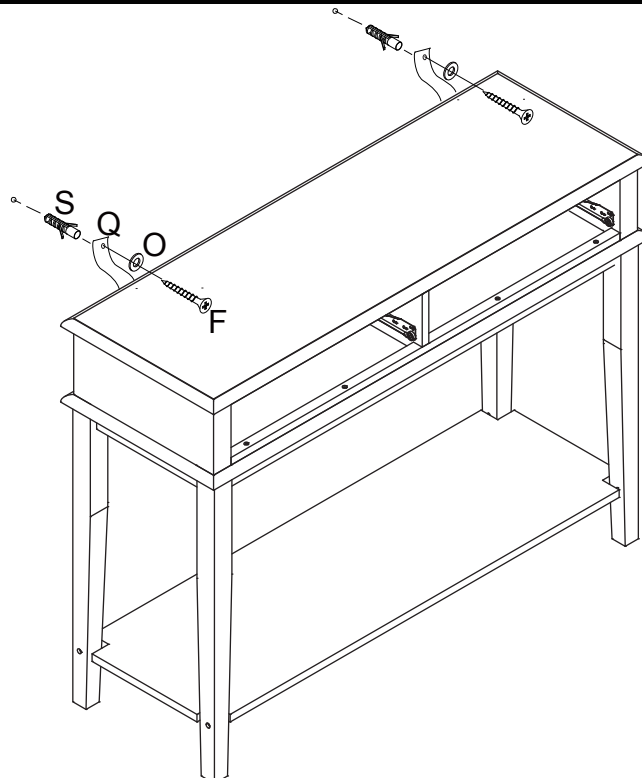
**⚠ WARNING**

**Serious or fatal crushing can occur from furniture tip over.**

**To help prevent tip over:**

- Install all tip over restraints provided with your product.
- Place heaviest items inside the lower doors.
- Do not sit TV's or other heavy objects on top of this product.
- Never allow children to climb or hang on drawers, doors, shelves.
- Never open more than one door at a time.

**Use of tip over restraints may only reduce, but will not eliminate, the risk of tip over.**



2 x F



2 x S



2 x O



# Chloe 2 Drawer Console Table

## Wall Mounting & Fixing Guide

**NOTE: Supplied wall plugs are only suitable for use in masonry walls.**

If you have any doubts about using the correct plug for your wall, please seek professional advice. Failure of the product due to using incorrect fixings is the responsibility of the installer.



### IMPORTANT:

When drilling into walls, always check for hidden wires or pipes, etc.



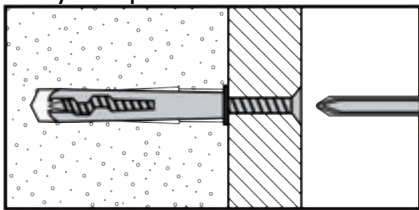
## Tips & Tricks

**Make sure that the hardware used is suitable for supporting your unit.**  
**Please consult a qualified tradesperson if unsure.**

- If you are unsure, please select a larger screw and wall plug.
- Ensure that you use the recommended drill bit to match the wall plug and hole size.
- Take extra care when drilling high walls, ceiling and ceramic tiles. Ensure wall plugs are inserted beyond the thickness of the ceramic tiles to avoid splitting or cracking.
- Ensure that wall plugs are well fitted and are a tight fit in the drilled hole.

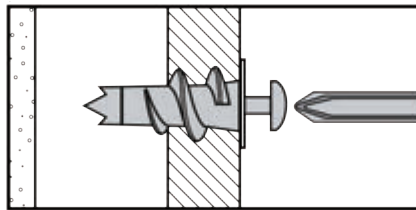
## Types Of Walls

Use one of the following types of wall plug (not included) if your walls are made of brick, breeze block, concrete, stone or wood. Screws may be able to be fixed directly to solid wood walls as they will provide a secure anchor point.



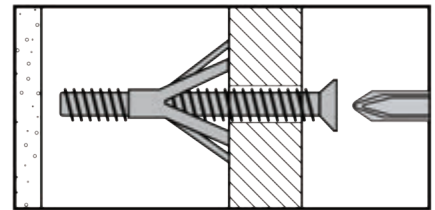
### 1. General Purpose Wall Plug

Generally, aerated blocks should not be used to support heavy loads, use a specialist fitting in this case. For light loads, general purpose wall plugs can be used.



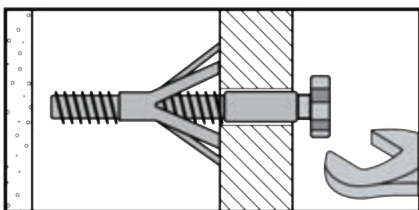
### 2. Plasterboard Wall Plug

For use when attaching light loads onto plasterboard partitions.



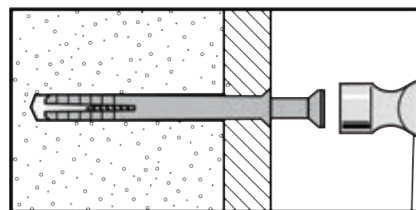
### 3. Cavity Fixing Wall Plug

For use with plasterboard partitions or hollow wooden doors.



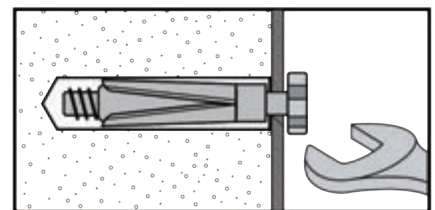
### 4. Cavity Fixing Heavy Duty Wall Plug

For use when fitting or supporting heavy loads such as shelving and wall cabinets.



### 5. Hammer Fixing Wall Plug

For use with concrete block or brick walls, or walls stuck with plasterboard. The hammer fixing allows it to be fixed to the wall rather than the plasterboard. Always check the fixing is secure to the retaining wall.

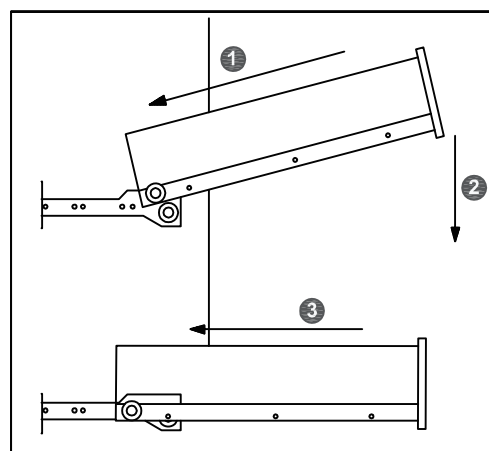
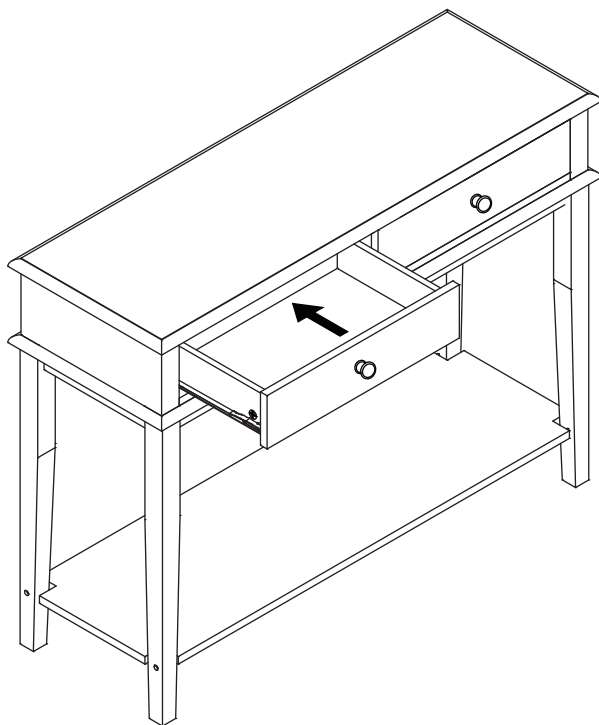


### 6. Shield Anchor Wall Plug Heavy Loads

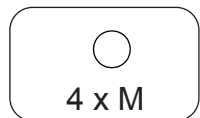
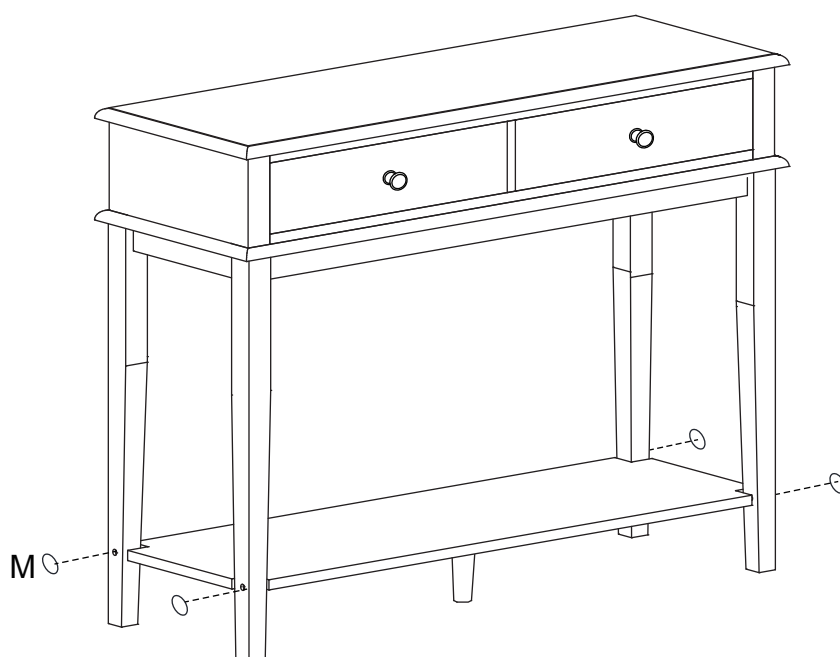
For use with concrete or brick walls, or for use with heavier loads such as TV & HiFi speakers and satellite dishes, etc.

# Chloe 2 Drawer Console Table

## STEP 19



## STEP 20





**MEUBILAIR**  
DIRECT IMPORTS

## Warranty Certificate

**Congratulations!** You have made an excellent choice of this quality product. Our commitment to quality also includes our service. Should you, contrary to expectations, experience defects due to manufacturing faults, Meubilairst Direct Imports will provide you with a warranty against defects as follows:

### Warranty

The product is guaranteed to be free from defects in workmanship and parts for a period of 12 months from the date of purchase. Defects that occur within this warranty period, under normal use and care, will be repaired, replaced or refunded at our discretion. The benefits conferred

by this warranty are in addition to all rights and remedies in respect of the product that the consumer has under the Competition and Consumer Act 2010 and similar state and territory laws.

Our goods come with guarantees that cannot be excluded under the Australian Consumer Law. You are entitled to a replacement or refund for a major failure and for compensation for any other reasonably foreseeable loss or damage. You are also entitled to have the goods repaired or replaced if the goods fail to be of acceptable quality and the failure does not amount to a major failure.

### Proof of Purchase

This warranty is valid for the original purchase and is not transferable. Please keep your purchase docket, tax invoice or receipt as the best proof of purchase, and as proof of date on which the purchase was made.

### Normal Wear and Tear

This warranty does not cover normal wear and tear to the products or parts.

### Exclusions

This warranty does not cover:

- Any defects caused by an accident, misuse, abuse, improper installation or operation, lack of reasonable care, unauthorized modification, loss of parts, tampering or attempted repair by a person not authorized by the distributor.
- Any product that has not been installed, operated or maintained in accordance with the manufacturers' operating instructions provided with the product.
- Any product that has been used for purposes other than domestic use.
- Any damage caused by improper power input or improper cable connection.

### MEUBILAIR DIRECT IMPORTS PTY LTD

Customer Service

Email: [cs@meubilairst.com.au](mailto:cs@meubilairst.com.au)

Address: Unit 4, 16 Hickeys Lane, Penrith NSW 2750

Telephone Number: (02) 47015363

**Opening Hours 9:00 am – 4:00 pm (Mon - Fri)**

When making a return, please ensure the product is properly packaged, so as to ensure that no damage occurs to the product during transit.

Please provide the original or a copy of the proof of purchase. Also please make sure you have included an explanation of the problem.

Please note that the costs of making a warranty claim, including any return postage, will be covered by the supplier identified above.

Please note upon receiving your warranty claim, the supplier will send, via the post or email, a repair and refurbished goods or parts notice. Please provide your email address and advise the supplier, if you wish to obtain a repair and refurbished goods or parts notice via email.

### AFTER SALES SUPPORT

EMAIL : [cs@meubilairst.com.au](mailto:cs@meubilairst.com.au)

Product code: 203594-WHT/203594-BLK





**MEUBILAIR**  
DIRECT IMPORTS

## Warranty Certificate

PRODUCT NAME: Chloe 2 Drawer Console Table

BRAND NAME:

PRODUCT CODE: 203594-WHT/203594-BLK

NAME

ADDRESS

EMAIL

DAYTIME TEL NO

DATE OF PURCHASE

SERIAL NUMBER

We recommend that you attach a photocopy of your receipt, showing the date of purchase, to this Warranty certificate and keep for your reference.

In the event of a product fault, please email the Customer Service team. Please ensure that you include the product details (as shown on the card) at hand so that we are able to respond as quickly and efficiently as possible.

**Meubilair Direct Imports PTY LTD**

Customer Service

Email: [cs@meubilair.com.au](mailto:cs@meubilair.com.au)

Address: Unit 4, 16 Hickeys Lane, Penrith NSW 2750

**Opening Hours 9:00 am – 4:00 pm (Mon - Fri)**

---

### AFTER SALES SUPPORT

EMAIL : [cs@meubilair.com.au](mailto:cs@meubilair.com.au)

Product code: 203594-WHT/203594-BLK

