

# Maine 1 Drawer 1 Door Multipurpose Cabinet

1.0hr

APPROXIMATE ASSEMBLY TIME

2 PERSON ASSEMBLY

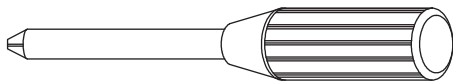


FLOOR AREA  
1M x 2M

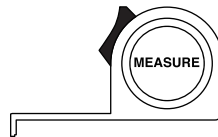


REQUIRED ASSEMBLY SPACE

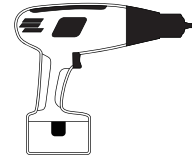
REQUIRED ASSEMBLY TOOLS



POZI SCREWDRIVER

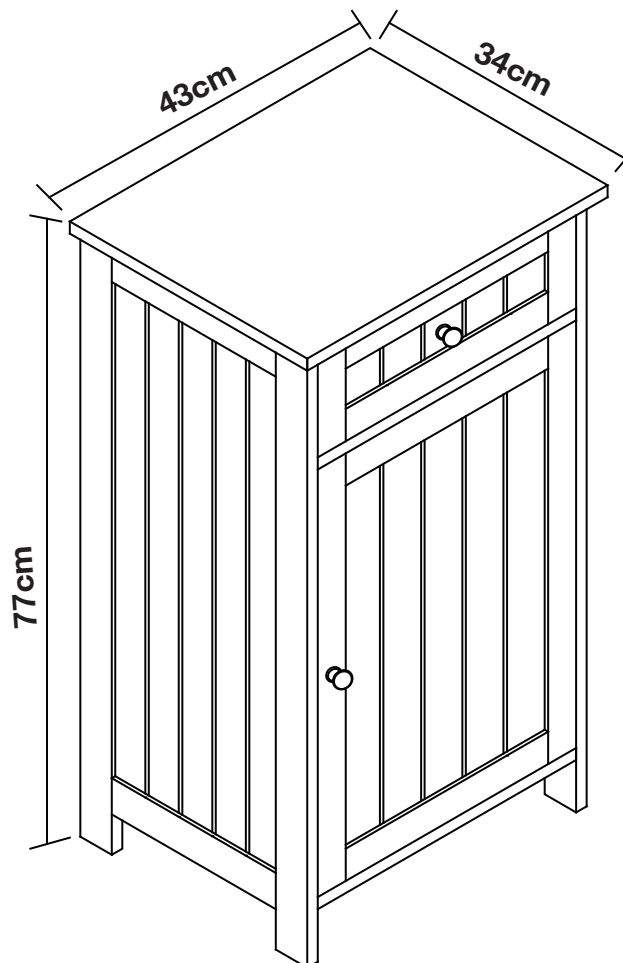


MEASURING TAPE



DRILL

## ASSEMBLED DIMENSIONS



# Maine 1 Drawer 1 Door Multipurpose Cabinet

## Tips before you start:

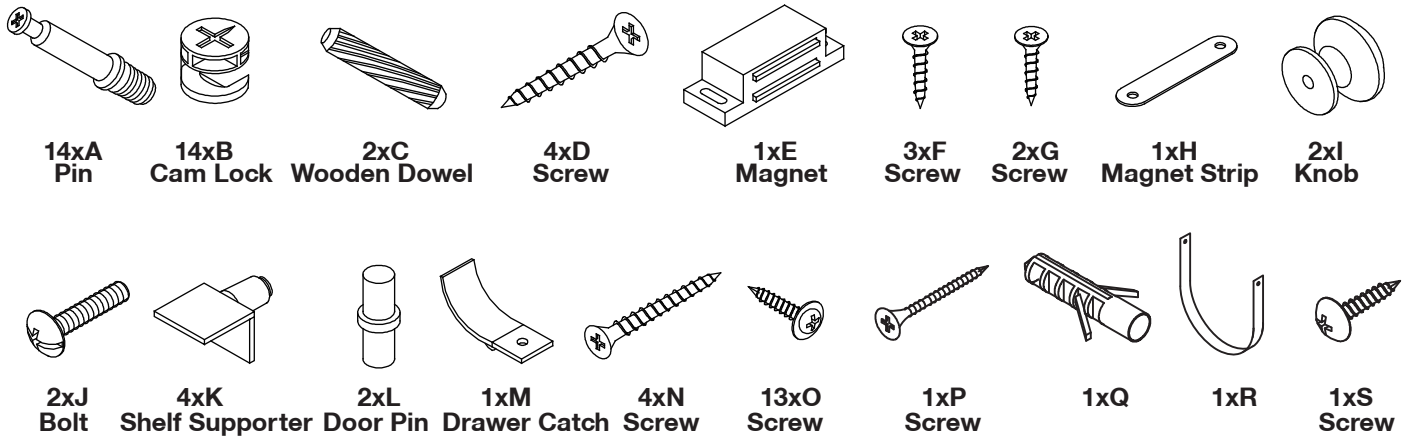
1. Please check that all parts are present before you start the assembly of your furniture.
2. For ease and speed of assembly, we recommend that before you commence each step of the assembly, that you identify all the parts required for that step.
3. For larger items, please ensure that you have sufficient space and people (as indicated on page 1) to assemble your product safely.
4. We recommend that, where possible, all items are assembled near to the area in which they will be placed in use, to avoid moving the product unnecessarily once assembled.
5. For the protection of your furniture, we recommend that the product is placed on a protected surface during assembly to prevent any damage.
6. During assembly please take care not to over-tighten any fittings, as this may damage the product.
7. Always place the product on a flat, steady and stable surface.
8. Do not stand on the product. Do not use the product as a stepladder.
9. This product is intended for indoor, household use only as it is non industrial product.

## Care and Maintenance of your Furniture

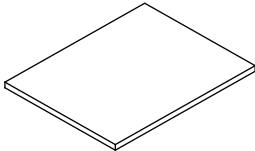
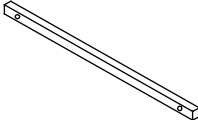
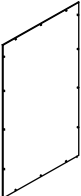
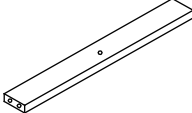
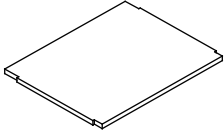
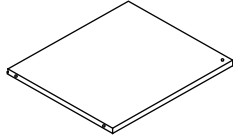
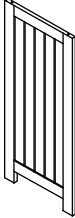
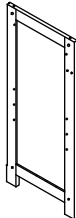
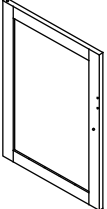
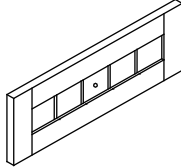
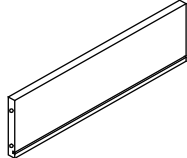
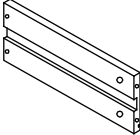
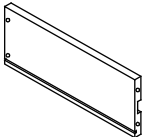
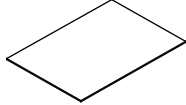
- Please periodically check all fittings and re-tighten as necessary.
- To clean your item, please use a damp cloth and wipe clean.
- Never allow any kind of liquid to remain on your furniture. Absorption can cause wood to warp or finishes to de-laminate.
- Please do not place hot items (eg. Hot drinks) directly on to the surface.
- Please do not drag and pull your furniture.

# Maine 1 Drawer 1 Door Multipurpose Cabinet

## HARDWARE LIST

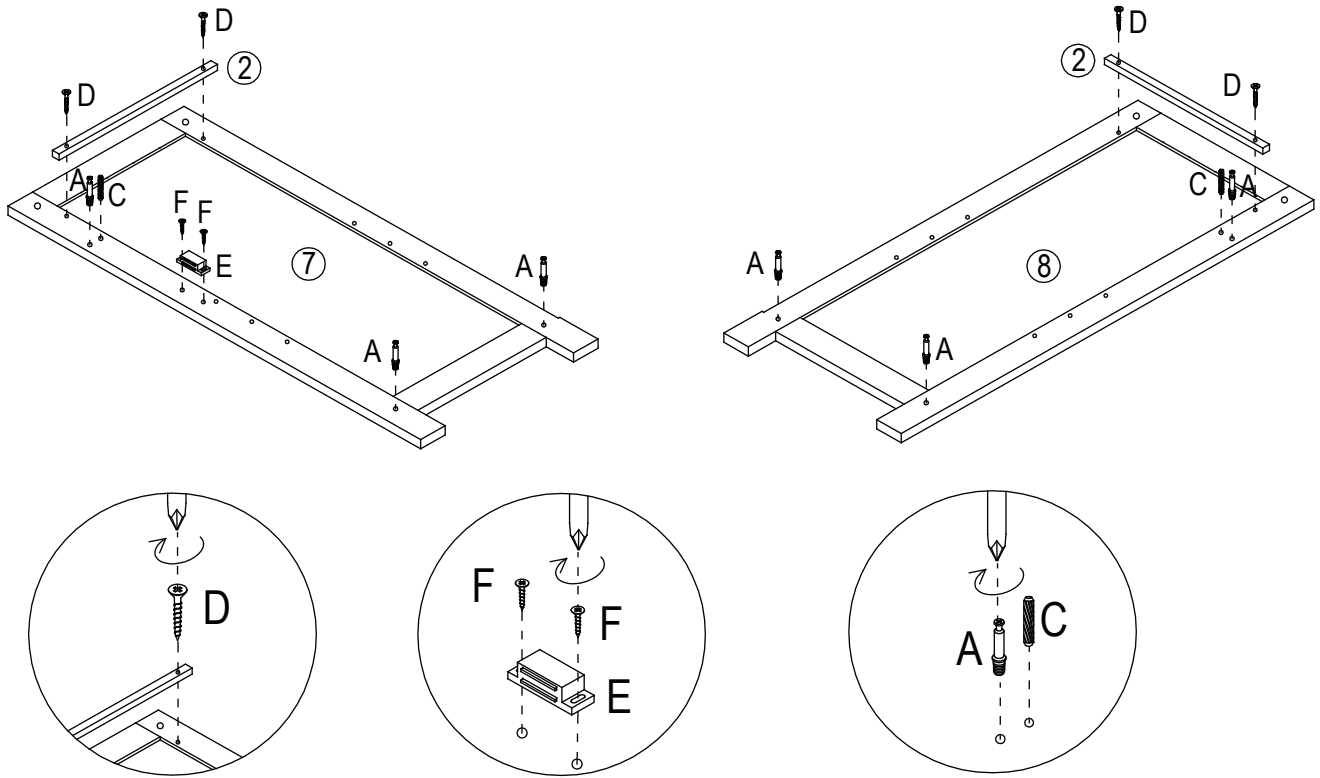


## PARTS LIST

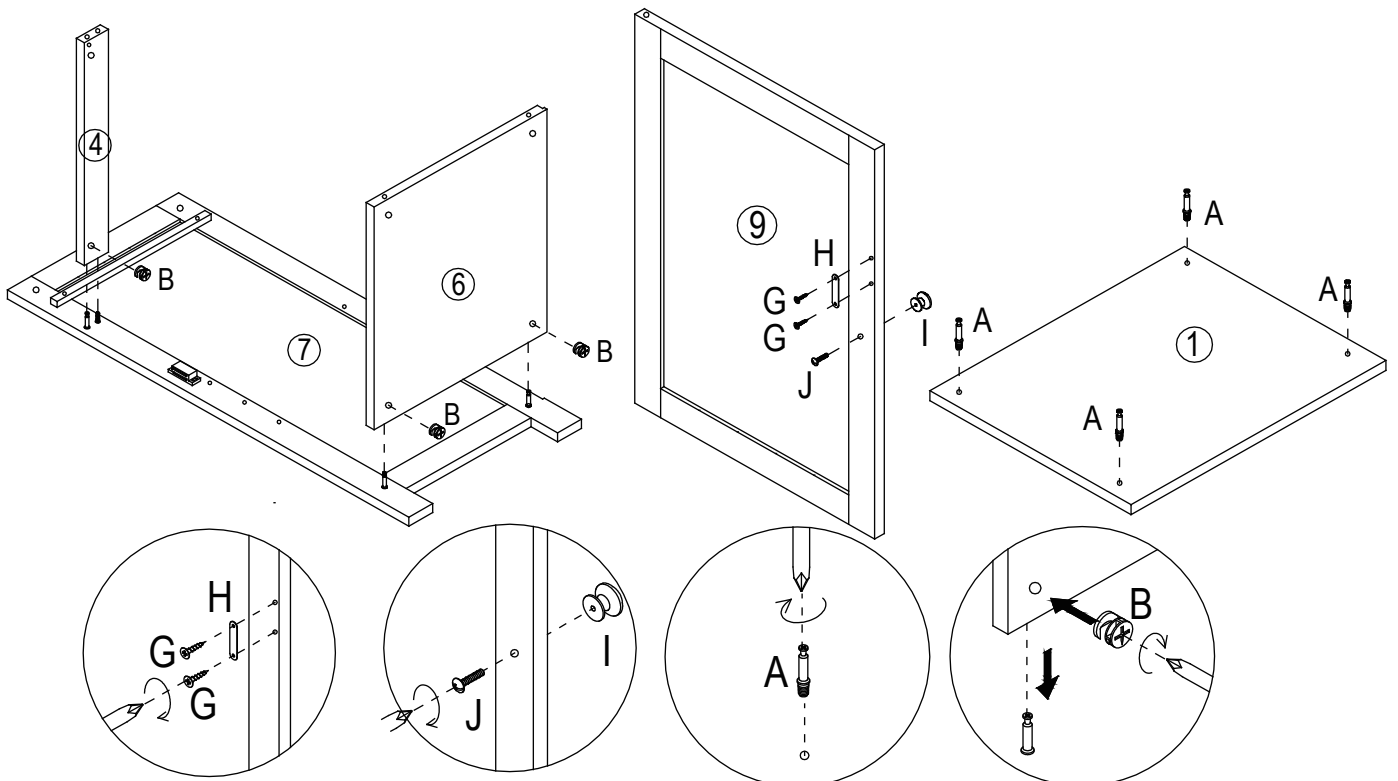
			
1    1PC	2    2PCS	3    1PC	4    1PC
			
5    1PC	6    1PC	7    1PC	8    1PC
			
9    1PC	10    1PC	11    1PC	12    1PC
			
13    1PC	14    1PC		

# Maine 1 Drawer 1 Door Multipurpose Cabinet

## STEP 1

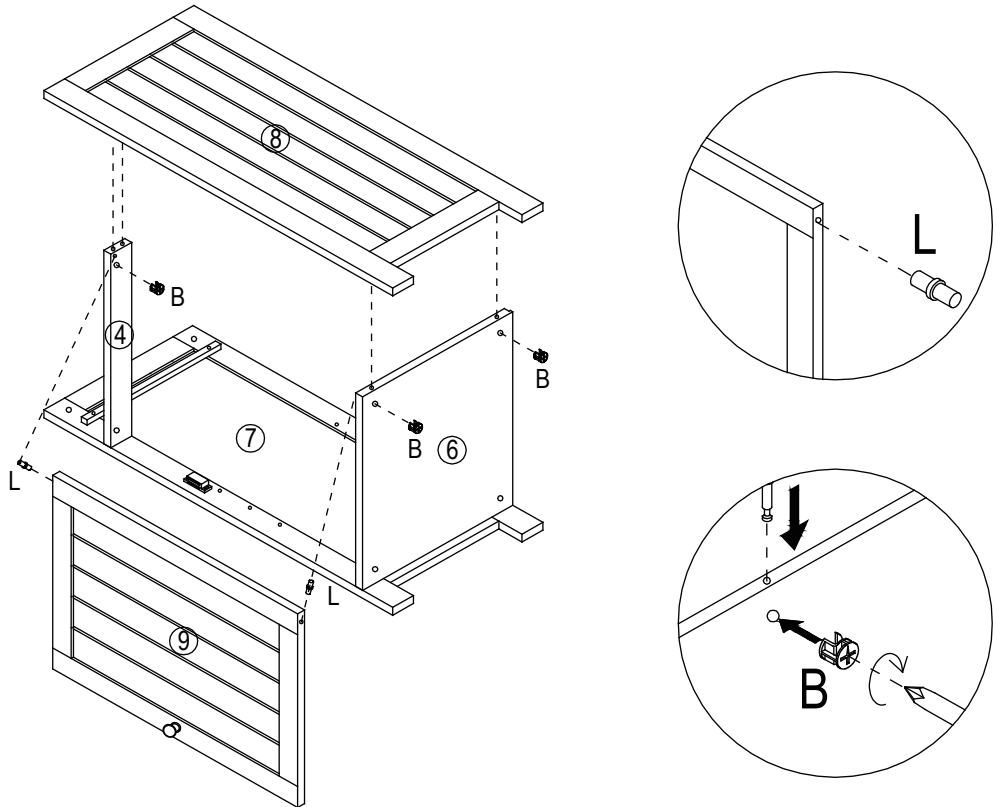


## STEP 2

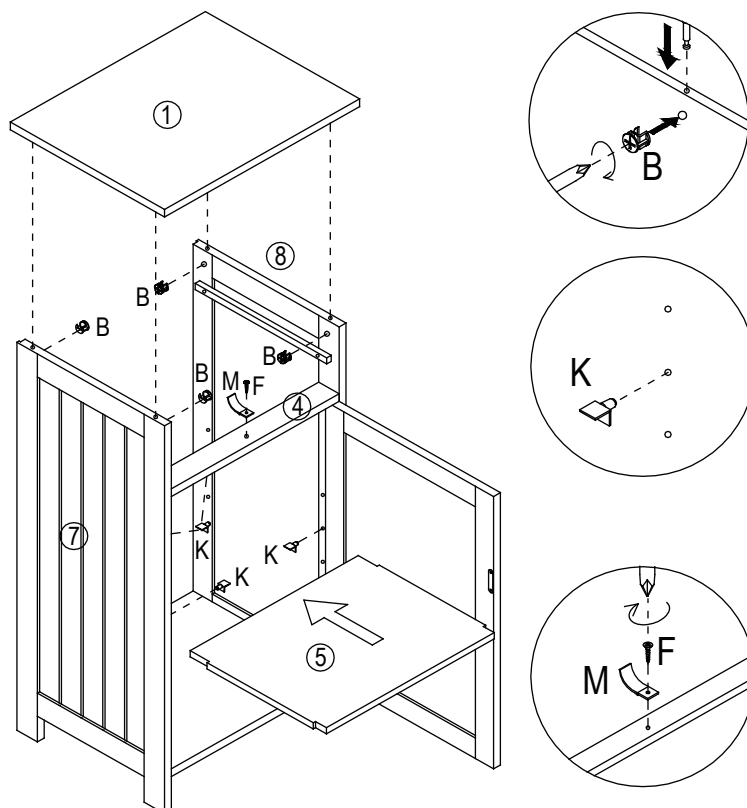


# Maine 1 Drawer 1 Door Multipurpose Cabinet

## STEP 3

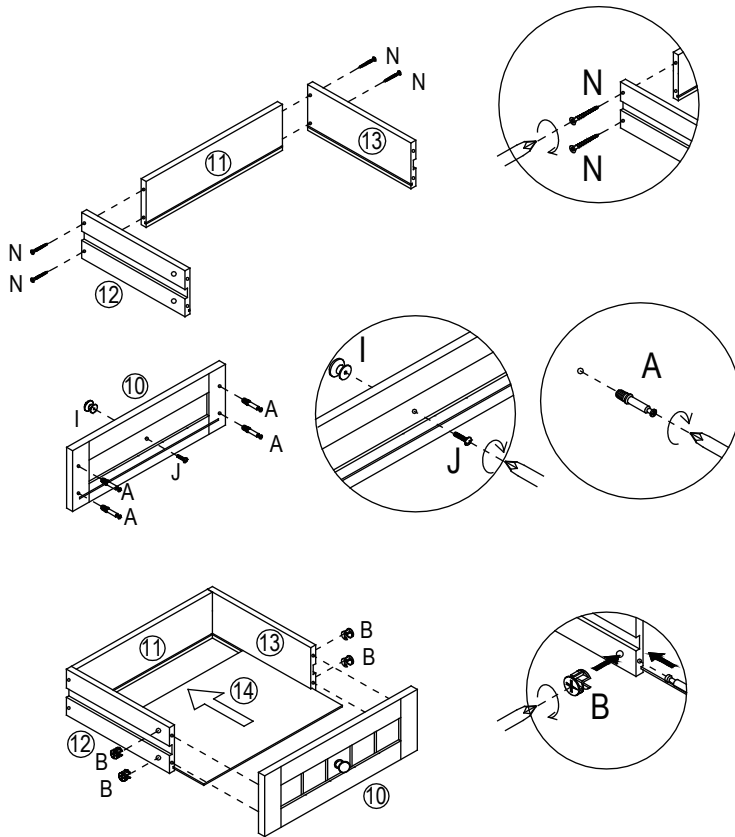


## STEP 4

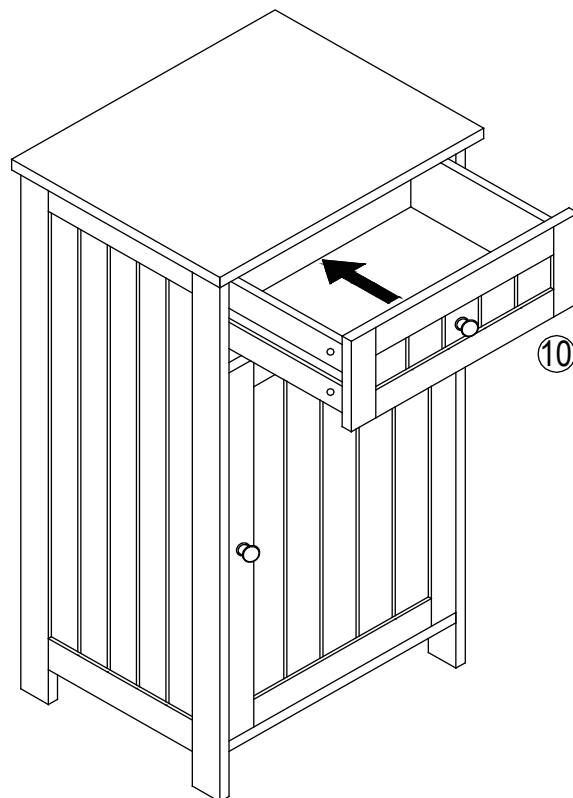


# Maine 1 Drawer 1 Door Multipurpose Cabinet

## STEP 5

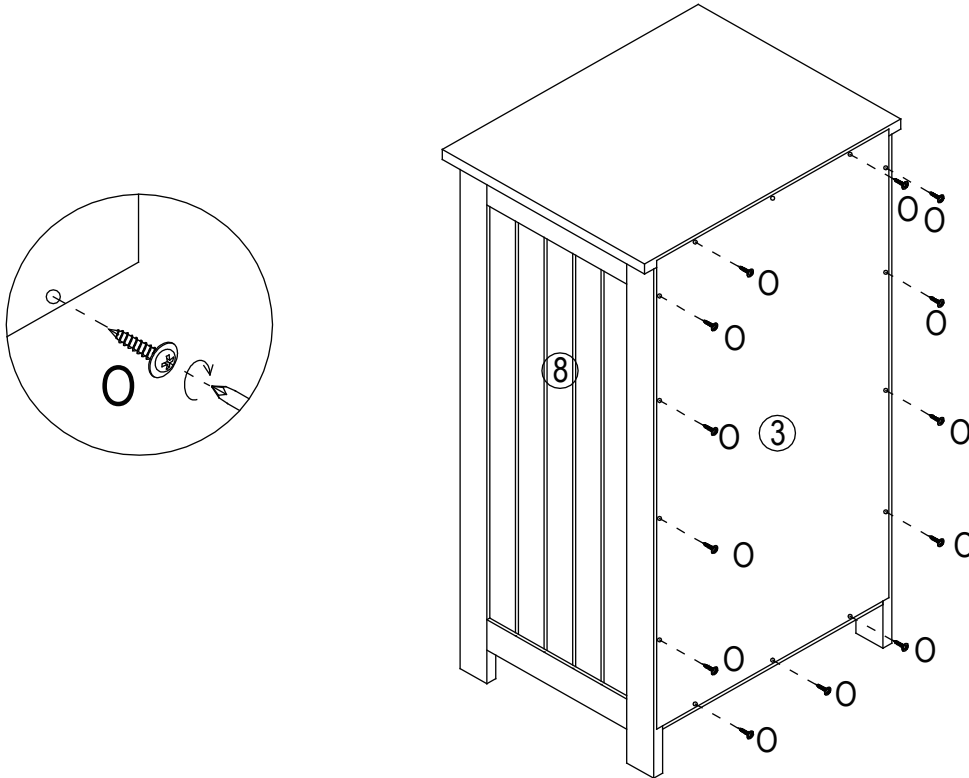


## STEP 6

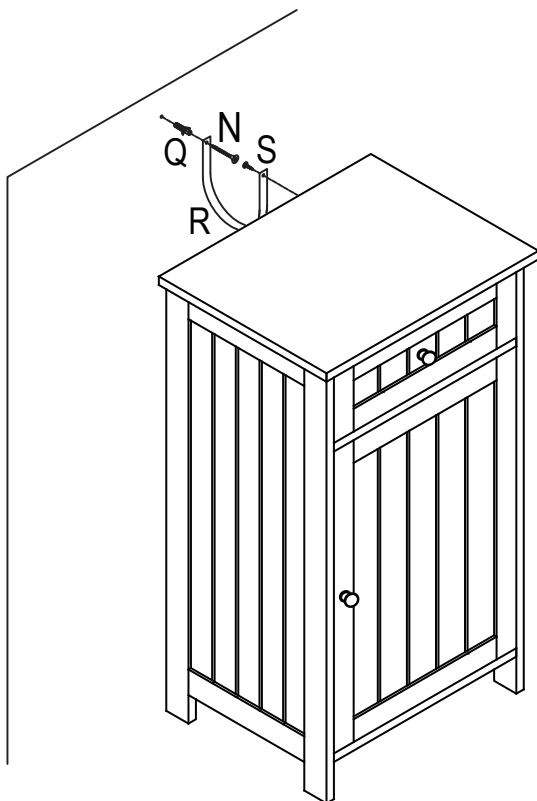


# Maine 1 Drawer 1 Door Multipurpose Cabinet

## STEP 7



## STEP 8



**WARNING: ENSURE THAT WALL STRAP IS ATTACHED TO AVOID SERIOUS INJURY**

To avoid any serious injury, this product has been supplied with a wall strap to prevent toppling. We strongly recommend that this product is permanently fixed to the wall or other suitable surface.

Wall fixing hardware has been supplied which is suitable for use only on a concrete wall. Please seek professional advice if you are in doubt of what fixing should be used.

Additional wall fixing hardware can be purchased from your local hardware store if the ones supplied are not suitable for your surface.