

MONTREAL TABLE BEDSIDE 1 DRAWER



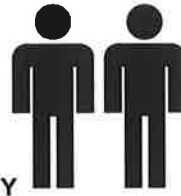
Children have been injured climbing on furniture when the child's weight has caused the furniture to topple over. A bracket and fitting instructions are included with this item to allow the cabinet to be fastened to your wall.

As the material used on walls varies from plasterboard, timber to masonry purchase a wall anchor suited to the surface that you will attach the bracket to. A wide variety of suitable fasteners is available from your local hardware store.

1.0hr

APPROXIMATE ASSEMBLY TIME

2 PERSON ASSEMBLY

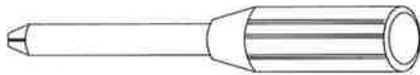


FLOOR AREA
1M x 2M



REQUIRED ASSEMBLY SPACE

REQUIRED ASSEMBLY TOOLS



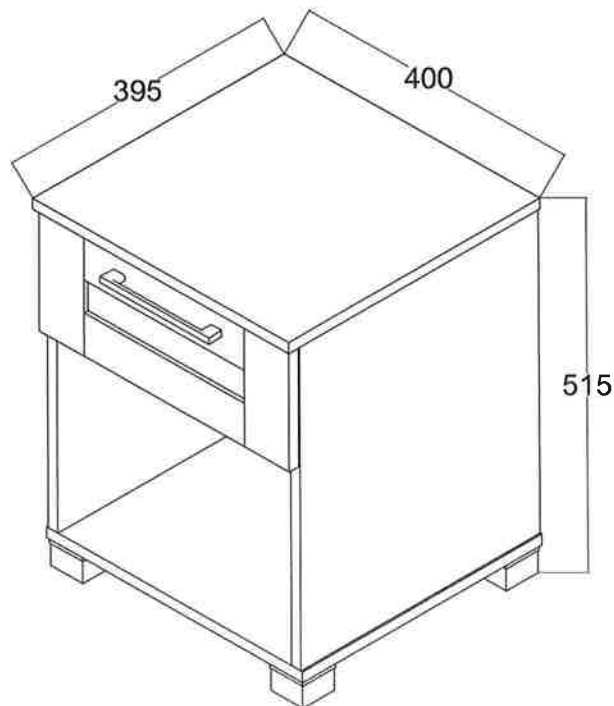
POZI SCREWDRIVER



MEASURE TAPE

ASSEMBLED DIMENSIONS

61493



1 / 10

MONTREAL TABLE BEDSIDE 1 DRAWER

Tips before you start :

1. Please check that all parts are present before you start the assembly of your furniture.
2. For ease and speed of assembly, we recommend that before you commence each step of the assembly, that you identify all the parts required for that step.
3. For larger items, please ensure that you have sufficient space and people (as indicated on page 1) to assemble your product safely.
4. We recommend that, where possible, all items are assembled near to the area in which they will be placed in use, to avoid moving the product unnecessarily once assembled.
5. For the protection of your furniture, we recommend that the product is placed on a protected surface during assembly to prevent any damage.
6. During assembly please take care not to over-tighten any fittings, as this may damage the product.
7. Always place the product on a flat, steady and stable surface.
8. Do not stand on the product. Do not use the product as a stepladder.
9. This product is intended for indoor, household use only as it is non industrial product.

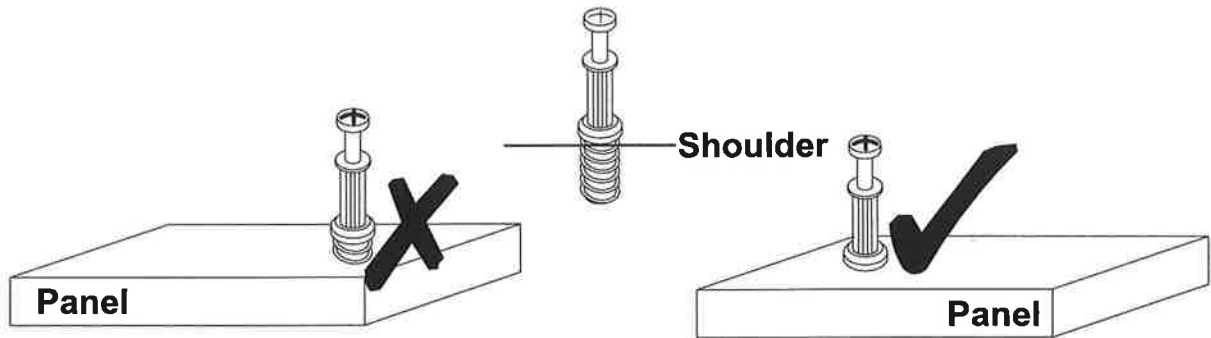
Care and Maintenance of your furniture

- Please periodically check all fittings and re-tighten as necessary.
- To clean your item, please use a damp cloth and wipe clean.
- Never allow any kind of liquid to remain on your furniture. Absorption can cause wood to warp or finishes to de-laminate.
- Please do not place hot items (eg. Hot drinks) directly on the surface.
- Please do not drag and pull your furniture .

MONTREAL TABLE BEDSIDE 1 DRAWER

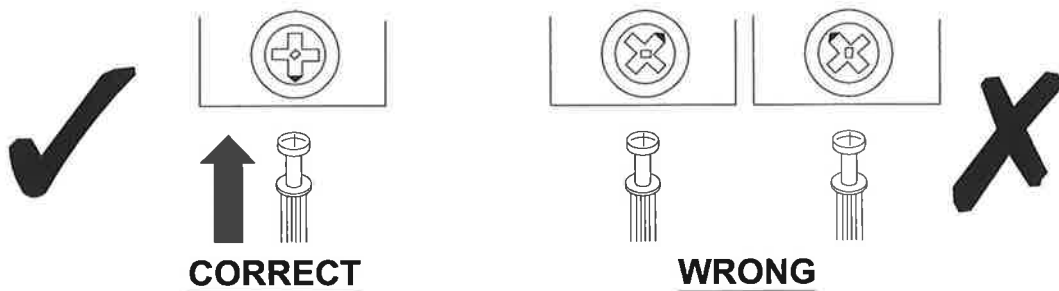
Tips before you start :

QUICKFIT



Tighten quickfit until shoulder is flush with panel. Do not overtighten or undertighten.

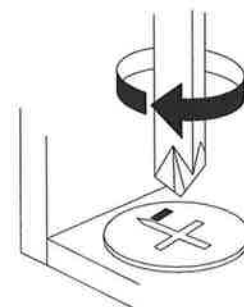
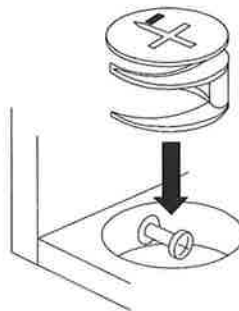
CAM LOCK



When fitting cam lock, ensure starting position is correct before you insert connecting quickfit.

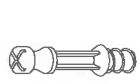
Quickfit head should be in the centre of the cam lock when the two panels are joined.

Cam lock should be inserted before quickfit.



Turn camlock clockwise to tighten.

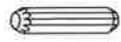
MONTREAL TABLE BEDSIDE 1 DRAWER



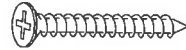
6 x (A)
CAM BOLT



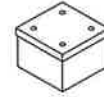
6 x (B)
CAM NUT



12 x (C)
DOWEL
Ø6 X 25mm



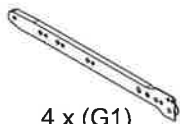
4 x (D)
C/B SCREW
M4 X 45mm



4 x (E)
PVC SQ. LEG



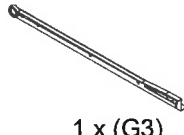
16 x (F)
C/B SCREW
M3.5 X 16mm



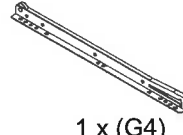
4 x (G1)
DRAWER
RUNNER (CL)



1 x (G2)
DRAWER
RUNNER (CR)



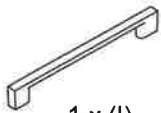
1 x (G3)
DRAWER
RUNNER (DL)



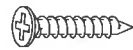
1 x (G4)
DRAWER
RUNNER (DR)



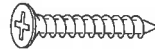
14 x (H)
C/B SCREW
M3.5 X 12mm



1 x (I)
PVC HANDLE



2 x (J)
C/B SCREW
M4 X 30mm



4 x (K)
C/B SCREW
M4 X 38mm

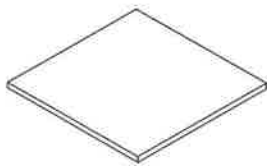


12 x (L)
NAIL



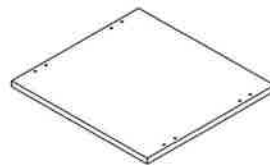
2 x (M)
L-BRACKET

PARTS LIST



1

1PC



2

1PC



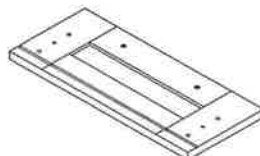
3

1PC



4

1PC



5

1PC



6

1PC



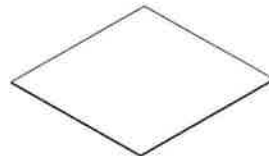
7

1PC



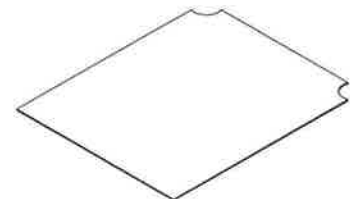
8

1PC



9

1PC

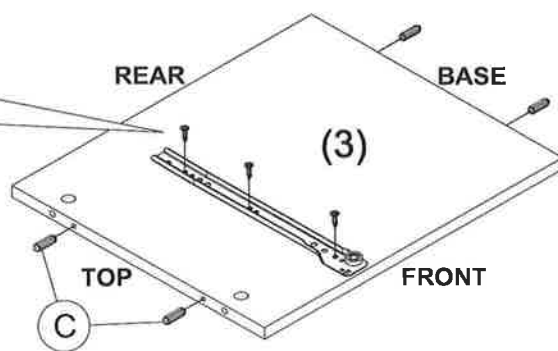
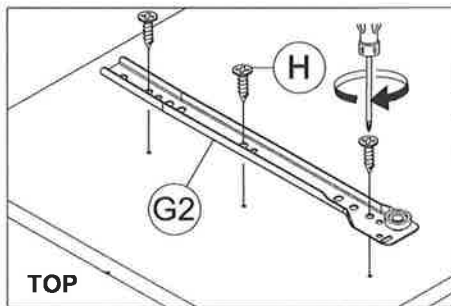
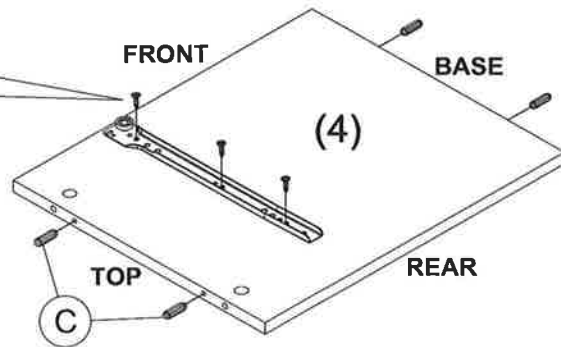
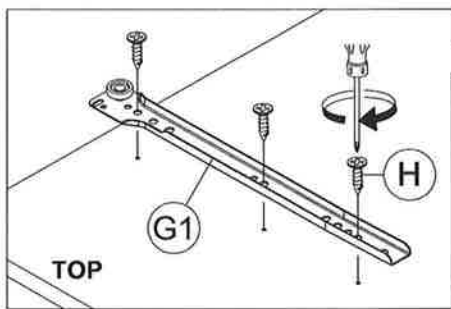
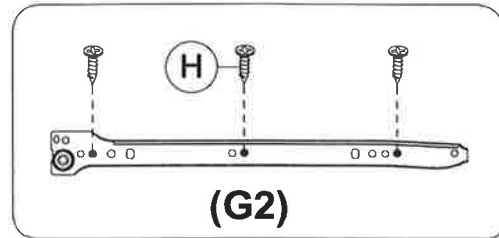
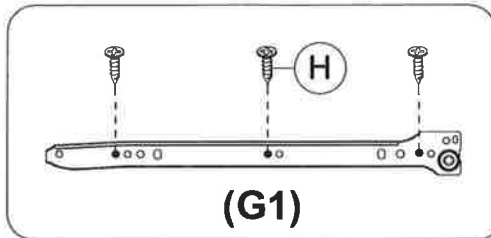


10

1PC

MONTREAL TABLE BEDSIDE 1 DRAWER

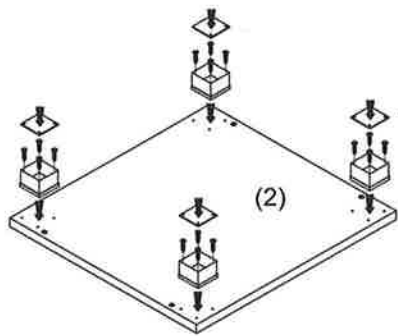
STEP 1



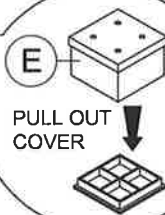
(C) = 8pcs (G1) = 1pcs (G2) = 1pcs (H) = 6pcs

MONTREAL TABLE BEDSIDE 1 DRAWER

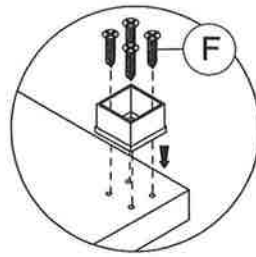
STEP 2



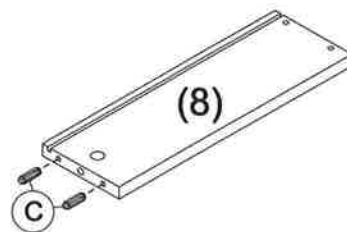
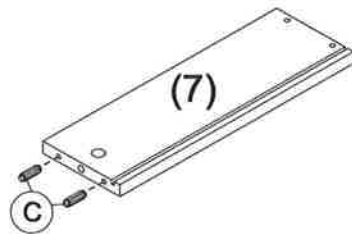
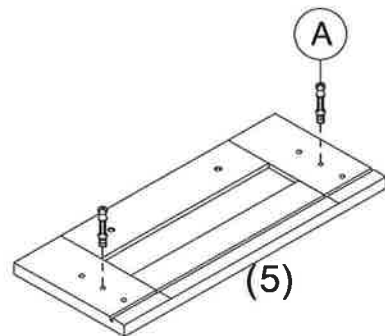
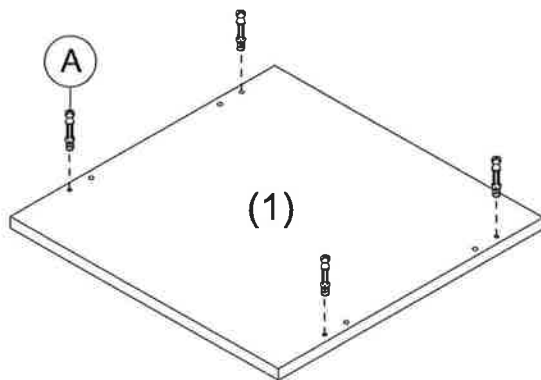
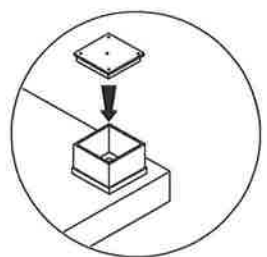
STEP 1



STEP 2



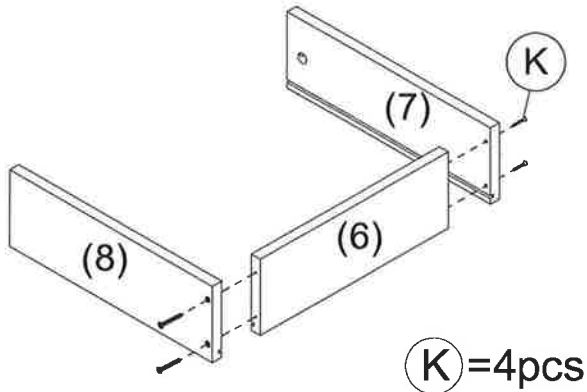
STEP 3



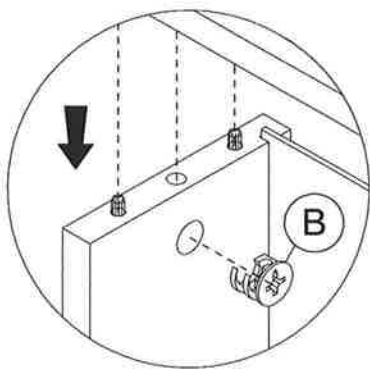
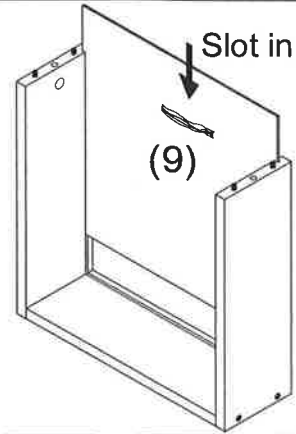
(A) = 6 pcs (C) = 4 pcs (E) = 4 pcs (F) = 16 pcs

MONTREAL TABLE BEDSIDE 1 DRAWER

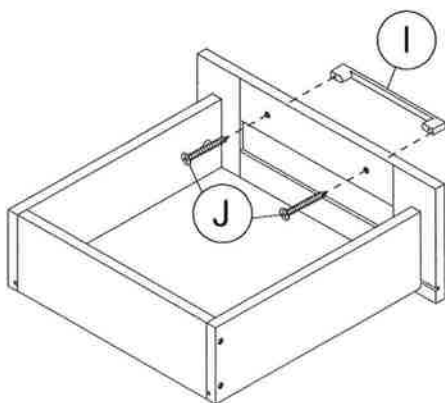
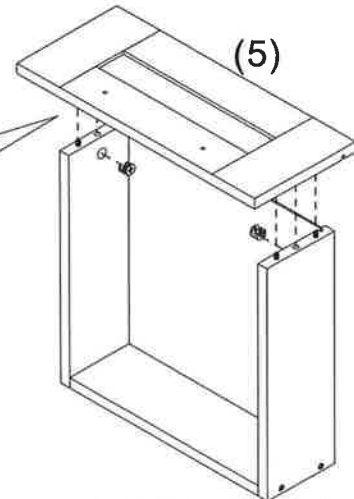
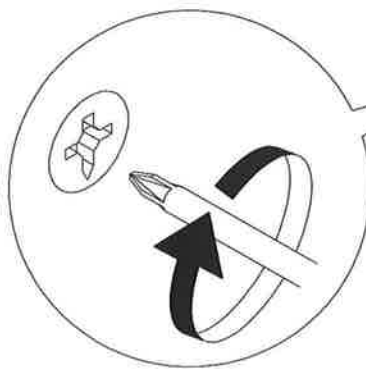
STEP 3



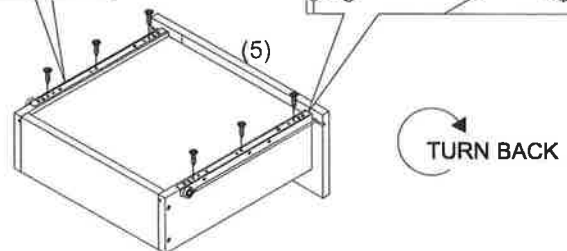
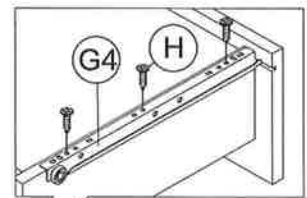
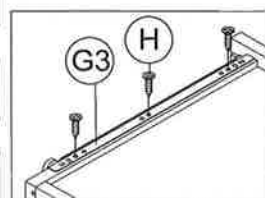
(K) = 4pcs



(B) = 2pcs



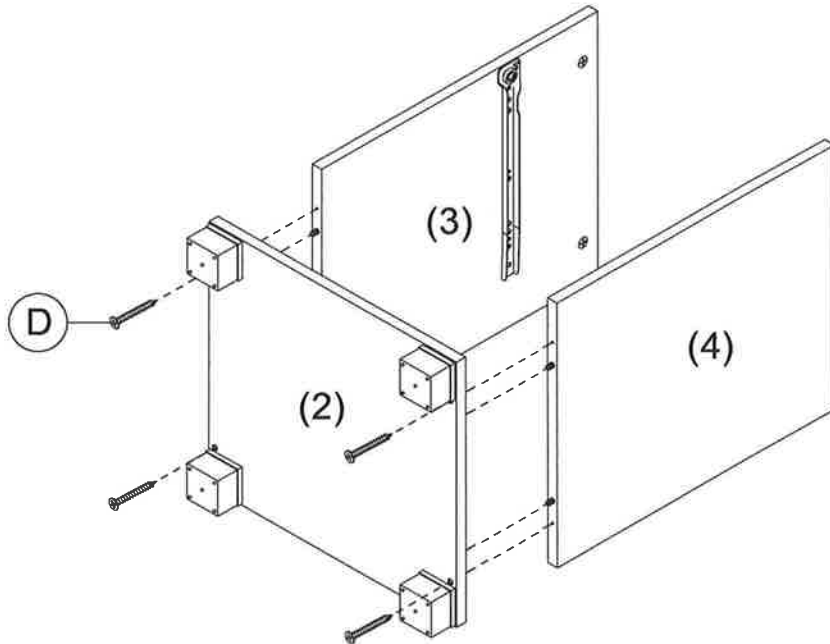
(I) = 1pc (J) = 2pcs



(G3) = 1pcs (G4) = 1pcs (H) = 6pcs

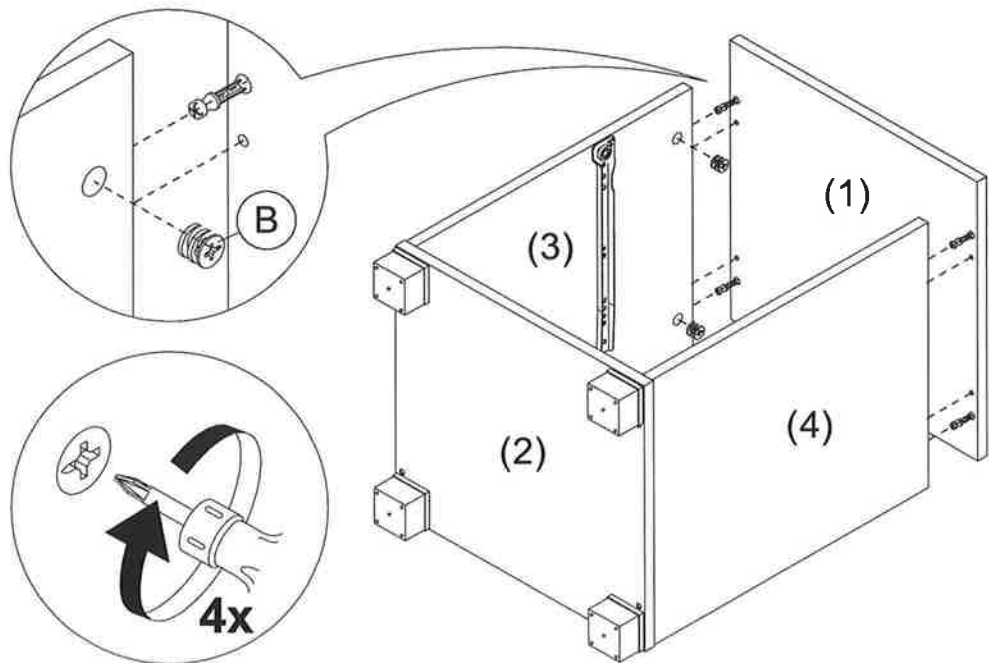
MONTREAL TABLE BEDSIDE 1 DRAWER

STEP 4



(D) = 4pcs

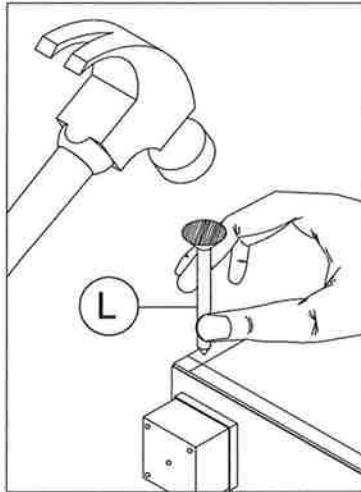
STEP 5



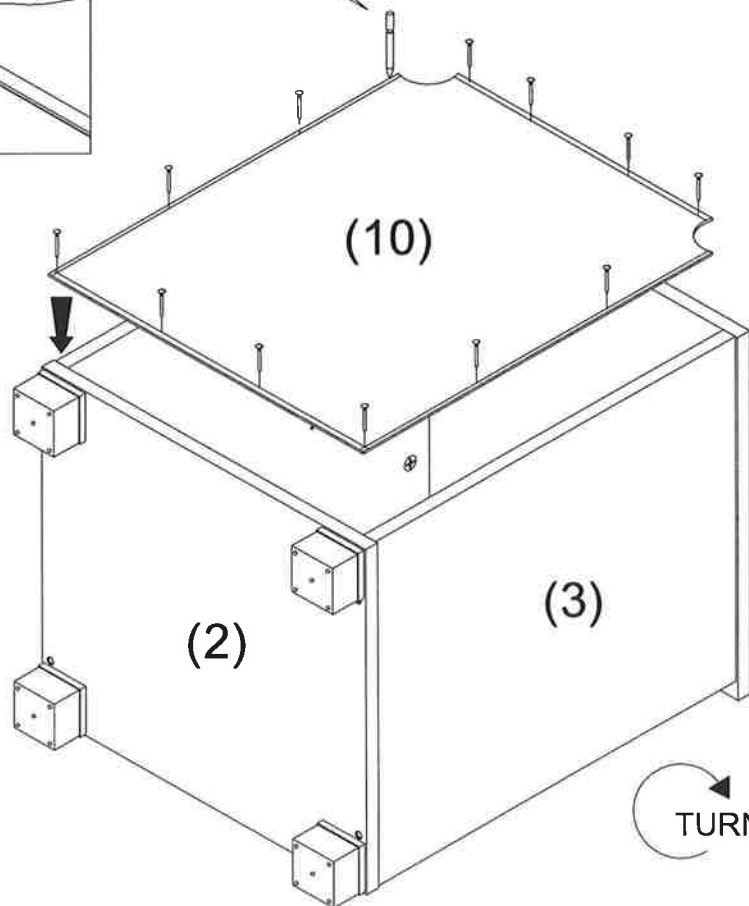
(B) = 4pcs

MONTREAL TABLE BEDSIDE 1 DRAWER

STEP 6



*Use pencil to mark hidden parts



(L) = 12 pcs

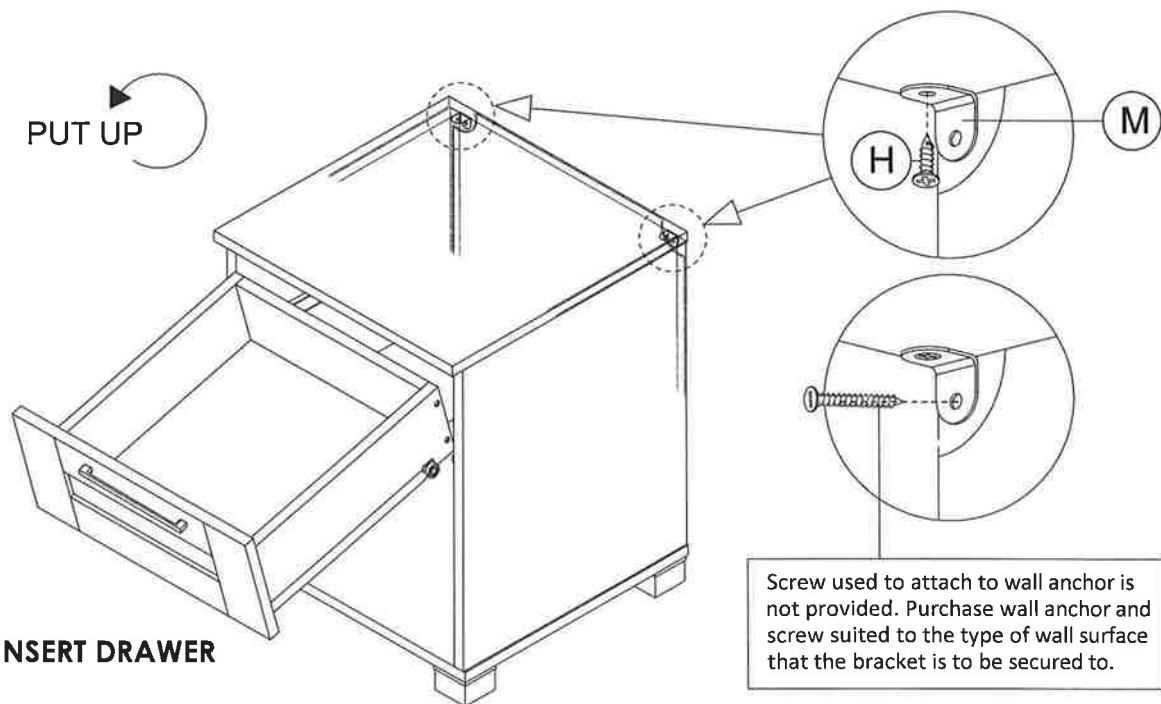
MONTREAL TABLE BEDSIDE 1 DRAWER

STEP 7

Bracket Fixing

The horizontal arms of the brackets are to be secured to the underside of shelf so that it is out of sight when the cabinet is installed into position.

- After assembling the unit place it against the wall where it will be permanently positioned.
- Working from inside the cabinet place the bracket through the pre-cut hole in the rear wall of the cabinet as shown in diagram.
- Use a pencil to mark through the screw hole in the bracket, where the bracket has to be attached to the wall.
- Move the cabinet away from the wall and secure the bracket to the wall at the marked position using a wall anchor suited to your wall surface.
- With the wall brackets in position, move the cabinet back to the wall allowing the horizontal arm of the bracket to enter into the cabinet through the pre-cut holes in the back wall of the cabinet.
- Then using the screw supplied, secure the horizontal arm of the brackets to the underside of the shelf.



(M) = 2pcs (H) = 2pcs