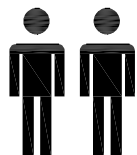


TRIBECCA 5 DRAWER CHEST

ITEM CODE:5096-9

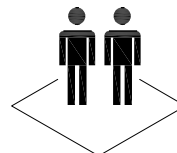
1.0 HR

APPROXIMATE ASSEMBLY TIME



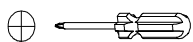
**2 PERSON
ASSEMBLY**

FLOOR AREA
2.0M X 2.0M

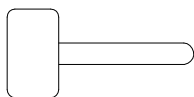


REQUIRED ASSEMBLY SPACE

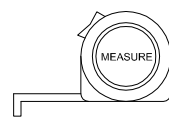
REQUIRED ASSEMBLY TOOLS



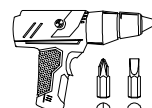
POZI SCREWDRIVER



HAMMER

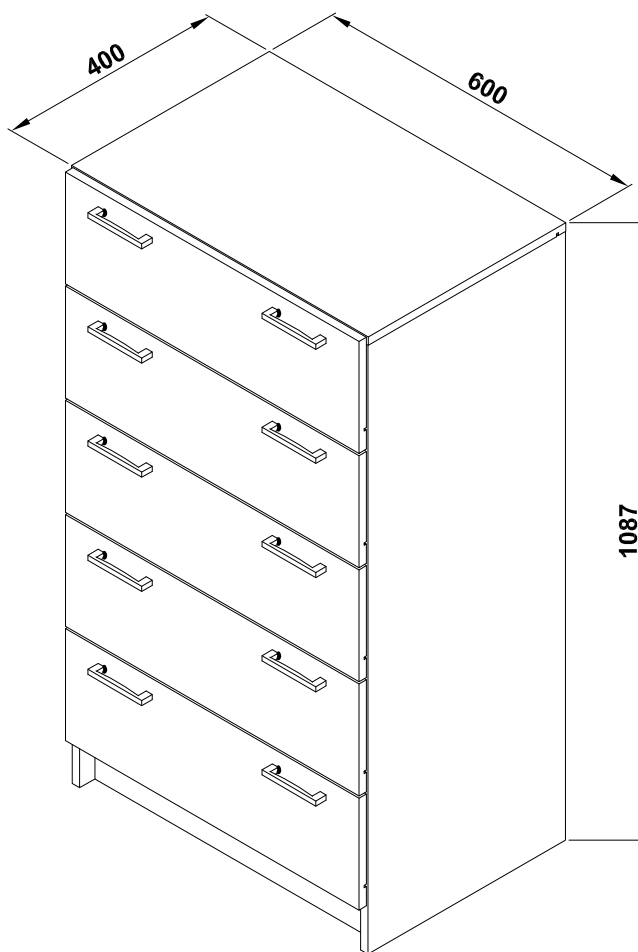


MEASURING TAPE



DRILL

ALWAYS USE A DRILL
WITH CARE TO AVOID
DAMAGE TO YOUR ITEM
FROM OVER TIGHTENING.



TRIBECCA 5 DRAWER CHEST

ITEM CODE:5096-9

Tips before you start:

1. Please check that all parts are present before you start the assembly of your furniture.
2. For ease and speed of assembly, we recommend that before you commence each step of the assembly, that you identify all the parts required for that step.
3. For larger items, please ensure that you have sufficient space and people (as indicated on page 1) to assemble your product safely.
4. We recommend that, where possible, all items are assembled near to the area in which they will be placed in use, to avoid moving the product unnecessarily once assembled.
5. For the protection of your furniture, we recommend that the product is placed on a protected surface during assembly to prevent any damage.
6. During assembly please take care not to over-tighten any fittings, as this may damage the product.
7. Always place the product on a flat, steady and stable surface.
8. Do not stand on the product. Do not use the product as a stepladder.
9. This product is intended for indoor, household use only as it is non industrial product.

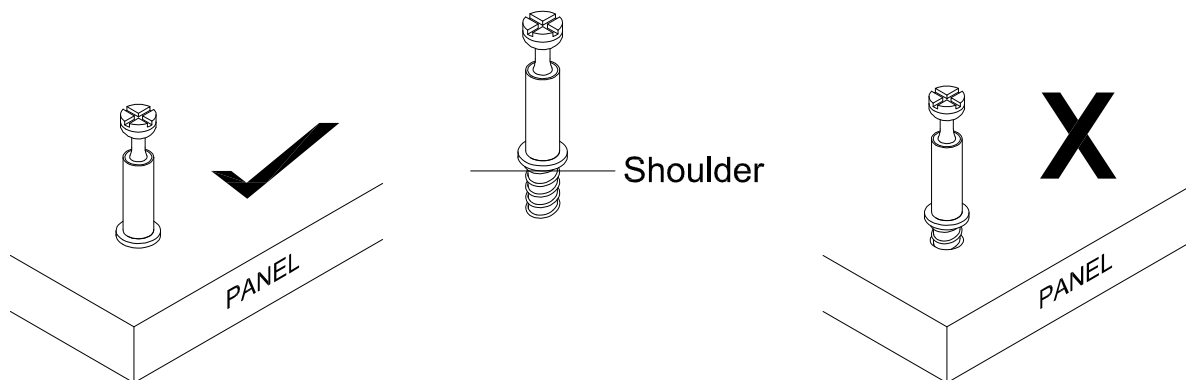
Care and Maintenance of your Furniture

- Please periodically check all fittings and re-tighten as necessary.
- To clean your item, please use a damp cloth and wipe clean.
- Never allow any kind of liquid to remain on your furniture. Absorption can cause wood to warp or finishes to de-laminate.
- Please do not place hot item (e.g. hot drinks) directly on to the wood surface.
- Please do not drag or pull your furniture.

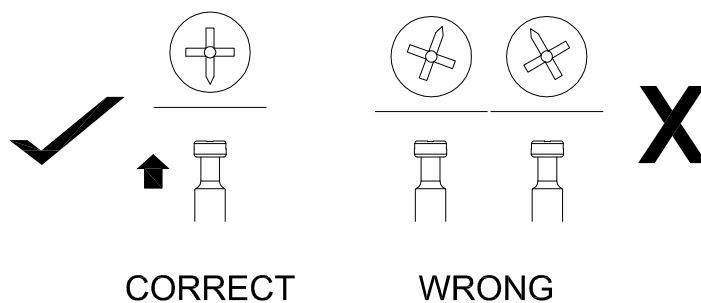
TRIBECCA 5 DRAWER CHEST

ITEM CODE:5096-9

Tips before you start:



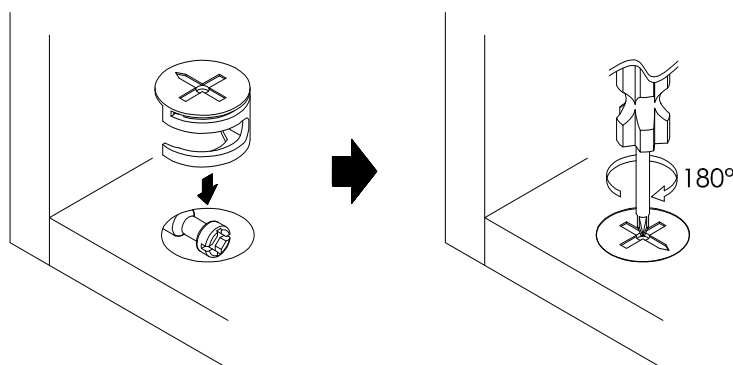
Tighten quickfit until shoulder is flush with panel. Do not overtighten or undertighten.



When fitting cam lock, ensure starting position is correct before you insert connecting quickfit.

Quickfit head should be in the centre of the cam lock when the two panels are joined.

Cam lock should be inserted before quickfit.

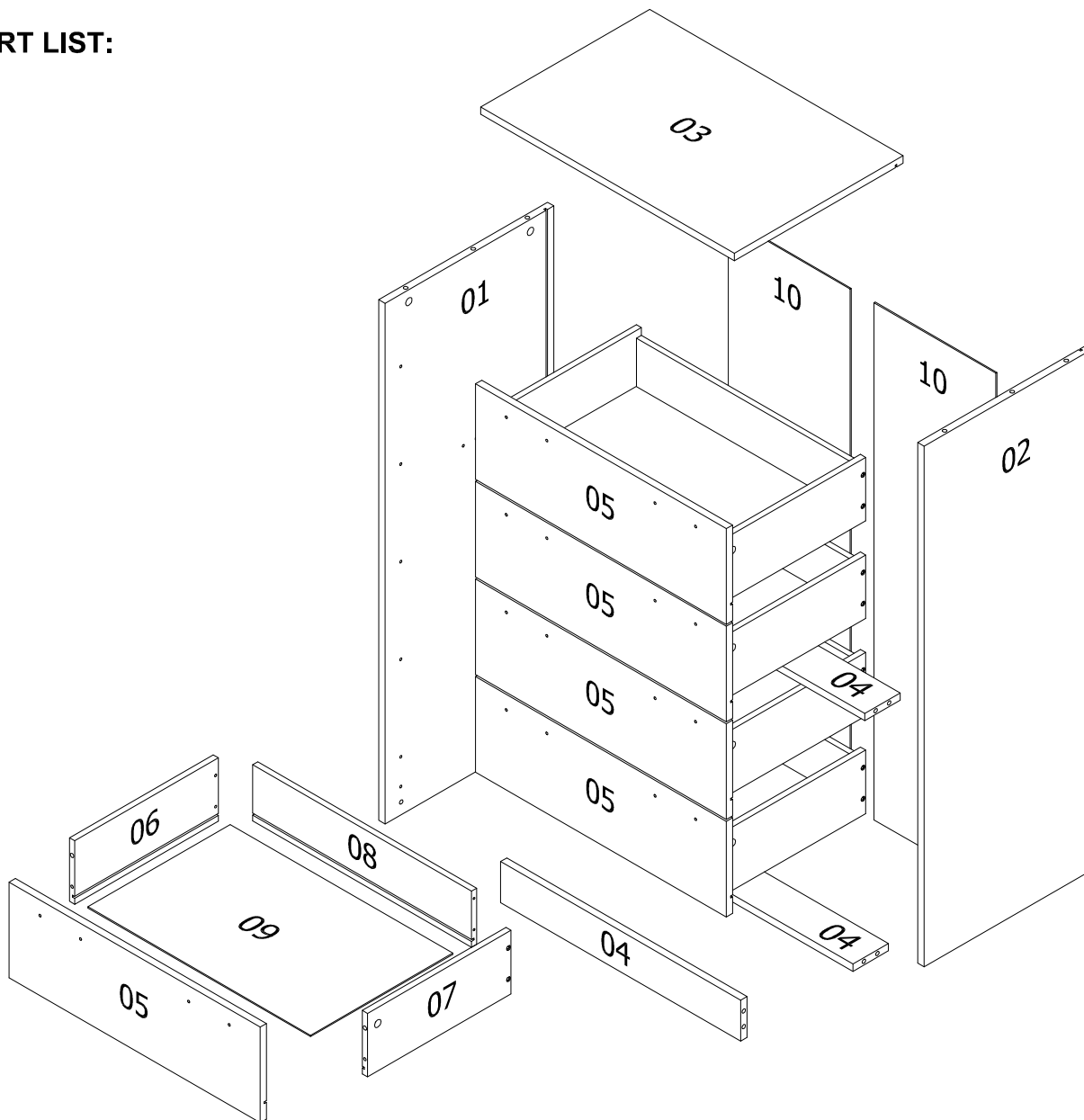


Turn camlock clockwise to tighten.

TRIBECCA 5 DRAWER CHEST

ITEM CODE:5096-9

PART LIST:

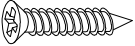

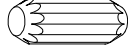
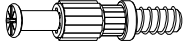
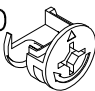

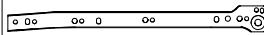
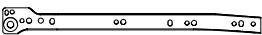
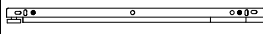
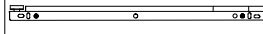



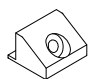
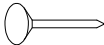
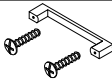
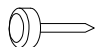
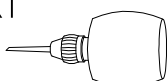
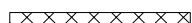


NO.	PART NAME	QTY	NO.	PART NAME	QTY
1	SIDE PANEL (LEFT)	1	6	DRAWER SIDE (LEFT)	5
2	SIDE PANEL (RIGHT)	1	7	DRAWER SIDE (RIGHT)	5
3	TOP PANEL	1	8	DRAWER BACK	5
4	SUPPORT RAIL	3	9	DRAWER BOTTOM	5
5	DRAWER FRONT	5	10	BACK PANEL	2

TRIBECCA 5 DRAWER CHEST

ITEM CODE:5096-9

HARDWARE LIST

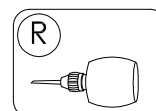
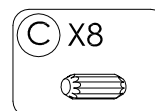
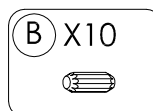
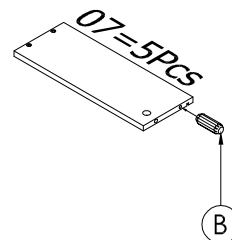
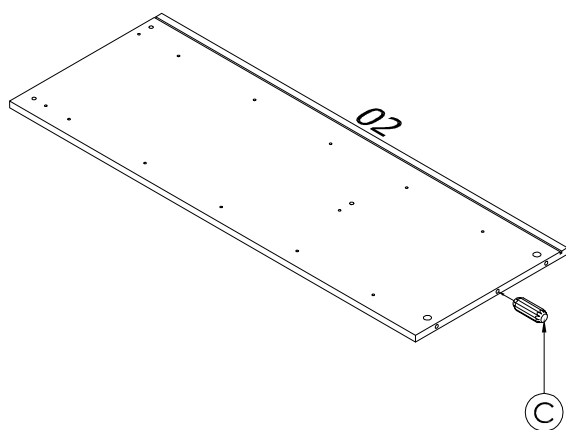
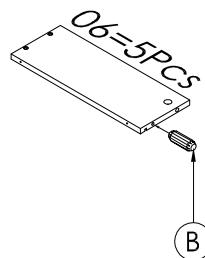
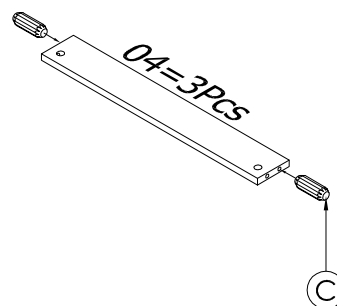
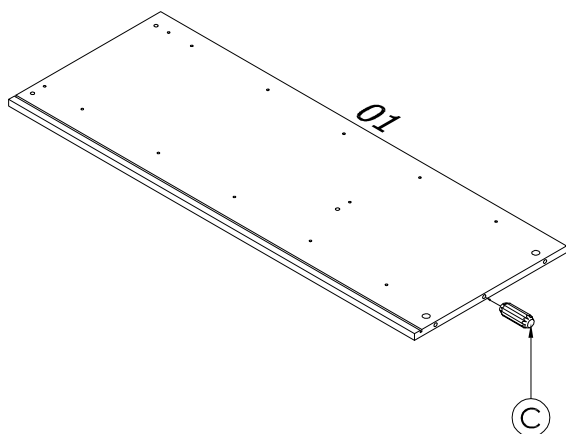
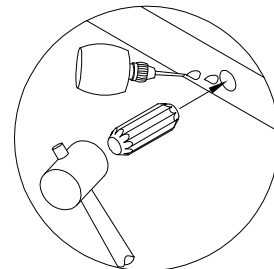
<p>A X20</p>  <p>CSK SCREW M4.5 X 32MM</p>	<p>B X10</p>  <p>WOOD DOWEL Ø6 X 20MM</p>	<p>C X8</p>  <p>WOOD DOWEL Ø8 X 25MM</p>	<p>D X20</p>  <p>BOLT-9607 PARALEL NECK DOWEL 24 X 8.5</p>
<p>E X10</p>  <p>CAM-9499 CAM 3000 15X12MM</p>	<p>F X10</p>  <p>CAM-9642 CAM 3000 12/13MM</p>	<p>G1 X5</p>  <p>METAL DRAWER SLIDE CR (350MM)</p>	<p>G2 X5</p>  <p>METAL DRAWER SLIDE CL (350MM)</p>
<p>H1 X5</p>  <p>METAL DRAWER SLIDE DR (350MM)</p>	<p>H2 X5</p>  <p>METAL DRAWER SLIDE DL (350MM)</p>	<p>J X20</p>  <p>CSK SCREW M3.5 X 12MM</p>	<p>K X20</p>  <p>EURO SCREW M6 X 9MM</p>
<p>L X5</p>  <p>CSK SCREW M3.5 X 15MM</p>	<p>M X4</p>  <p>BACKPLY STOPPER</p>	<p>N X12</p>  <p>NAIL</p>	<p>P X10</p>  <p>96MM PVC U SHAPE HANDLE (1PC) WITH SCREW (M4 X 25MM = 2PCS)</p>
<p>Q X4</p>  <p>PLASTIC LEG STUD</p>	<p>R X1</p>  <p>GLUE</p>	<p>S X1</p>  <p>WEBBING TAPE 1.2 X 12 X 145MM</p>	

TRIBECCA 5 DRAWER CHEST

ITEM CODE:5096-9

STEP 1

Using glue (R) insert dowel (B & C) into pieces (1, 2, 4, 6 & 7) as shown.

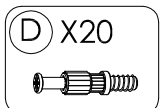
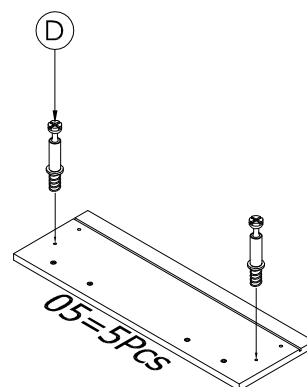
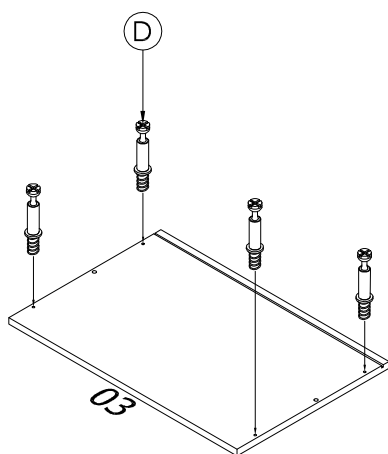
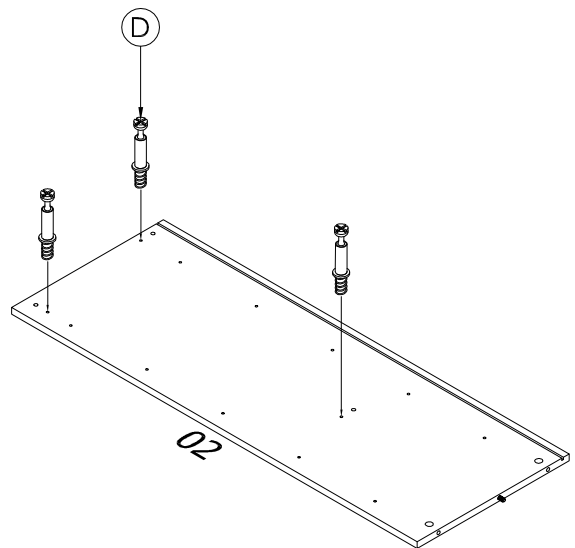
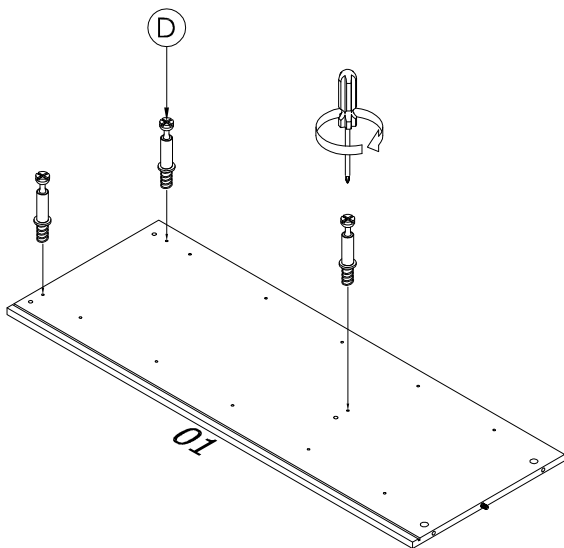


TRIBECCA 5 DRAWER CHEST

ITEM CODE:5096-9

STEP 2

Take all panels (1 , 2 , 3 & 5), using a drill on low speed / torque or a phillips head screw driver cam pins (D) as shown.

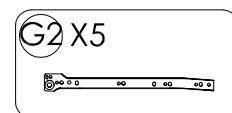
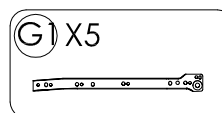
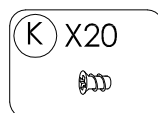
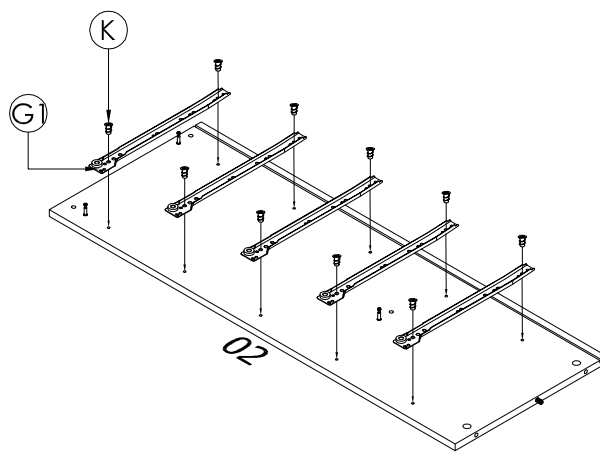
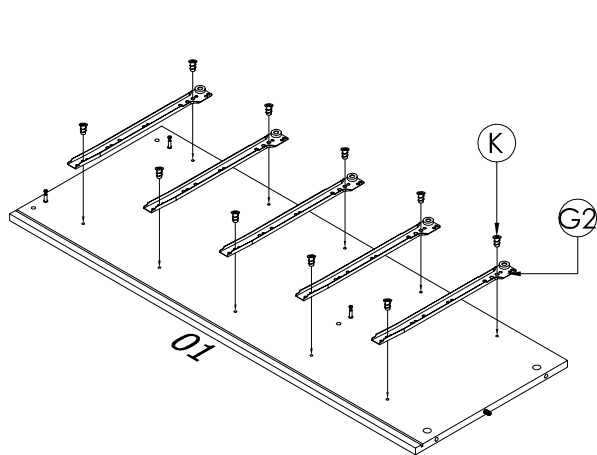
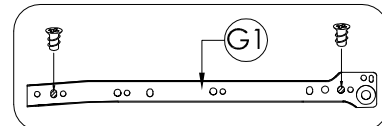
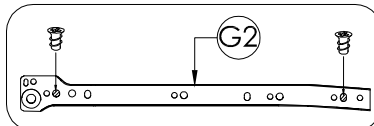


TRIBECCA 5 DRAWER CHEST

ITEM CODE:5096-9

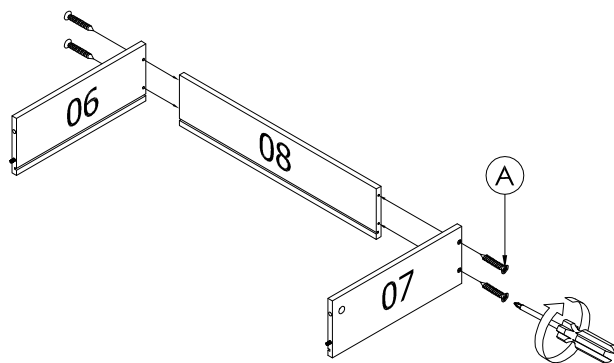
STEP 3

Take both side panels (1 & 2), attach drawer slide casing (G1 & G2) using screw 9mm (K) as shown.

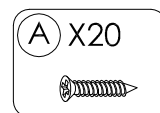


STEP 4

Attach drawer side (6 & 7) to drawer back (8) using 32mm screw (A).



X5

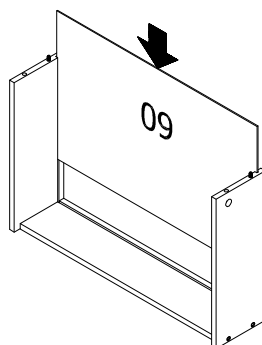


TRIBECCA 5 DRAWER CHEST

ITEM CODE:5096-9

STEP 5

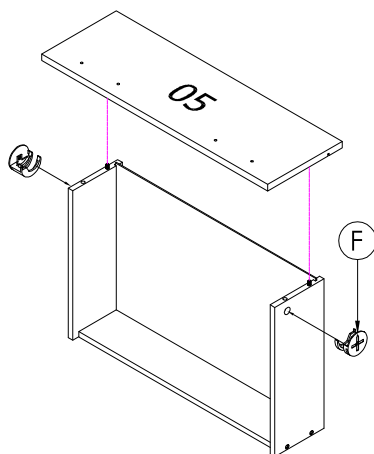
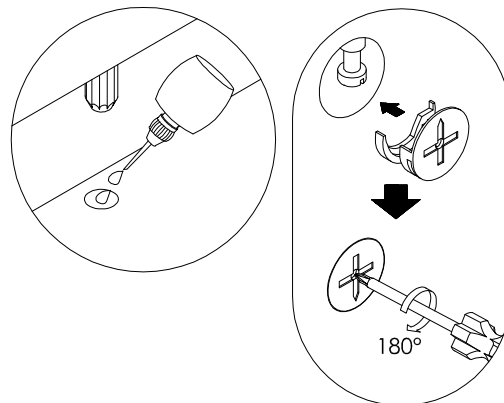
Slot the drawer bottom (9) into the drawer body.



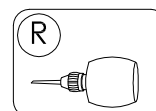
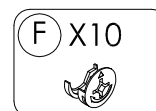
X5

STEP 6

Using glue (R) attach drawer front (5) to drawer body. Fasten into place using cam lock (F) as shown.



X5

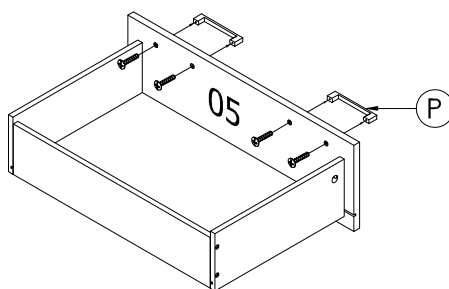


TRIBECCA 5 DRAWER CHEST

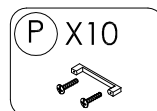
ITEM CODE:5096-9

STEP 7

Affix the handle (P) to drawer front (5) with 25mm screw.

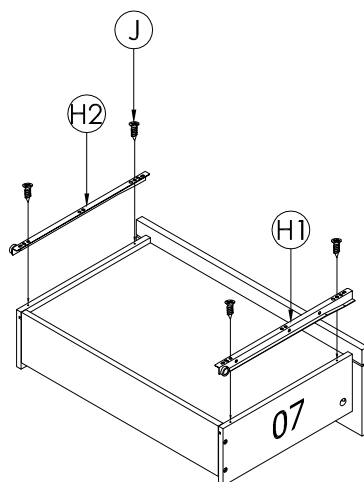
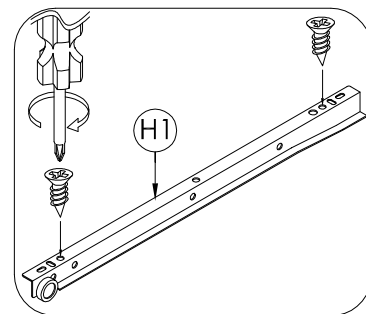
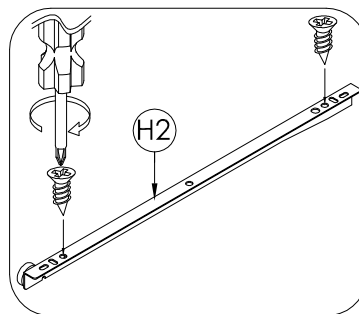


X5

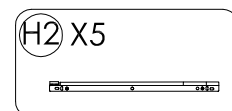
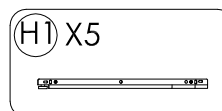
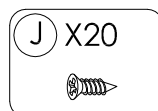


STEP 8

Attach the drawer slide inserts (H1 & H2) to the base of the drawer side (6 & 7) with the 12mm screw (J) as shown.



X5



TRIBECCA 5 DRAWER CHEST

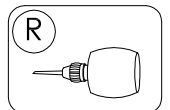
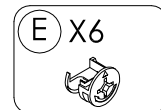
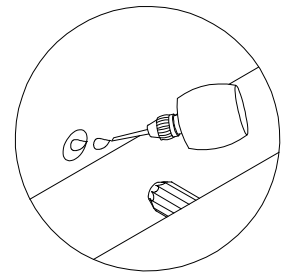
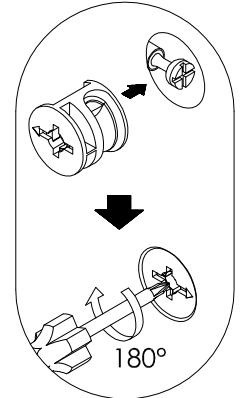
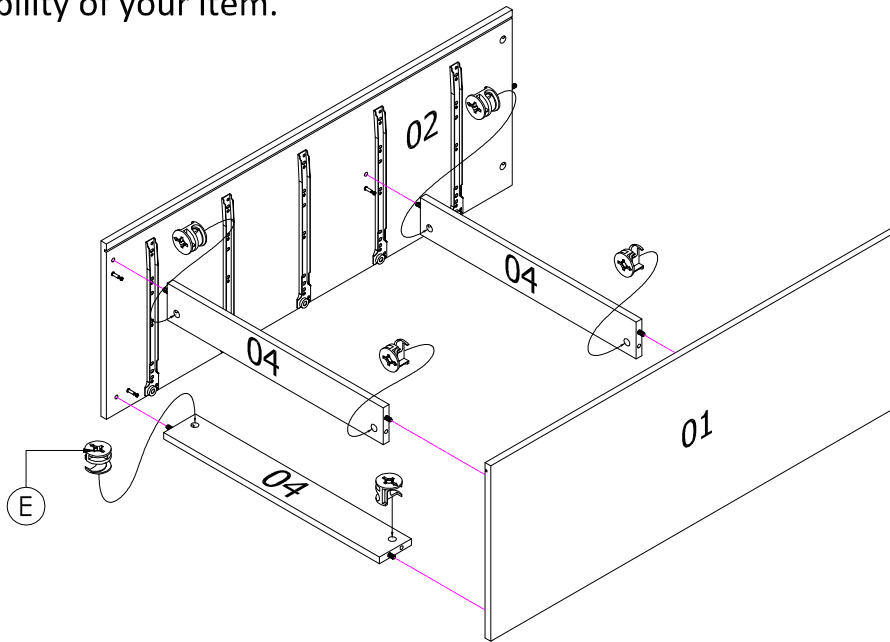
ITEM CODE:5096-9

STEP 9

Attach panels (1 & 2) to frame using glue (R) with cam lock (E) on panels (4) as shown.

Turn cam lock using screw driver until they tighten into place.

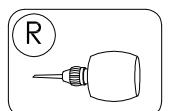
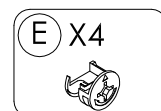
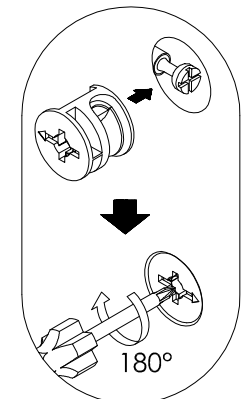
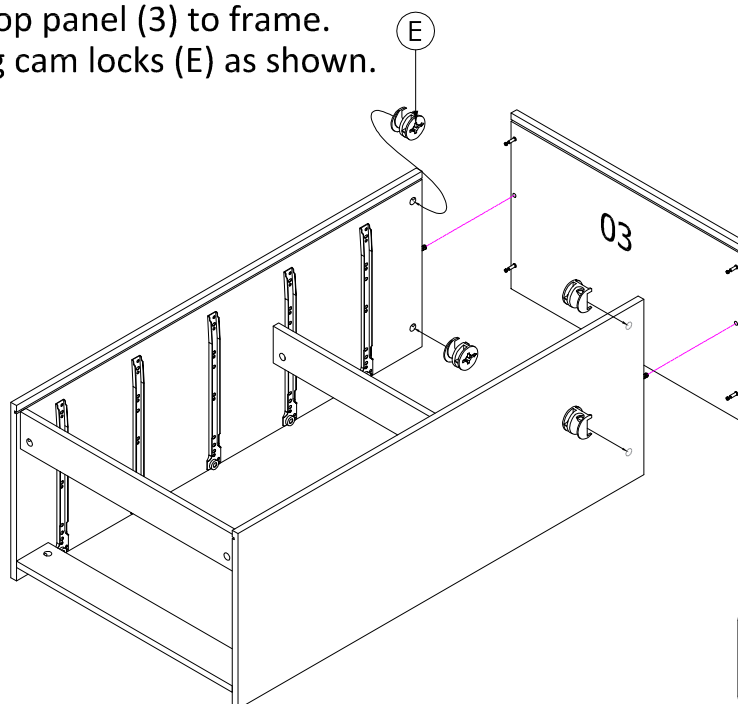
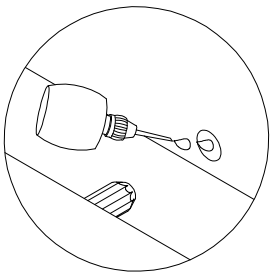
Note: Carefully check your cam lock are securely fastened to ensure correct stability of your item.



STEP 10

Using glue (R) attach top panel (3) to frame.

Fasten into place using cam locks (E) as shown.

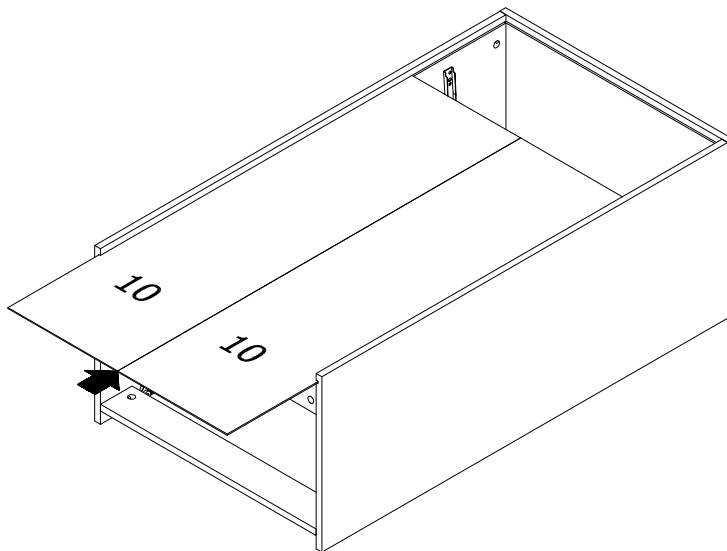


TRIBECCA 5 DRAWER CHEST

ITEM CODE:5096-9

STEP 11

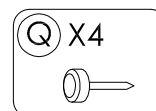
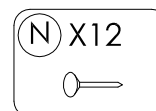
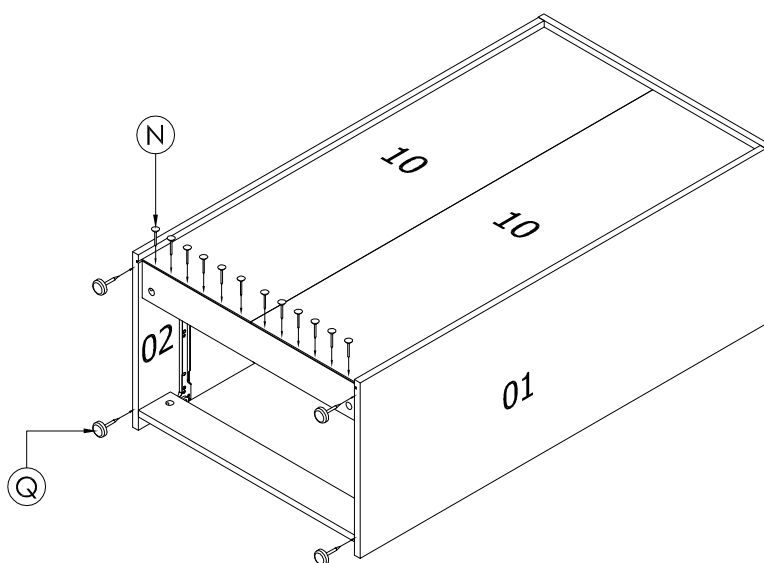
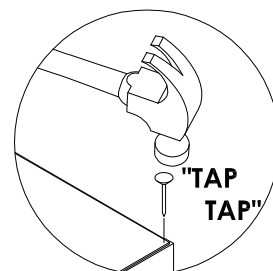
Slot panels (10) to frame.



STEP 12

Tack the nail to back panel (10) as shown.

Tack the plastre leg stud to side panel (1 & 2) as shown.

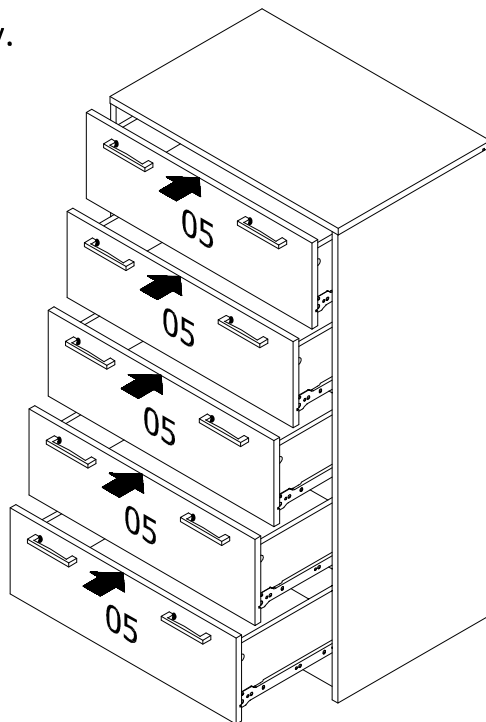


TRIBECCA 5 DRAWER CHEST

ITEM CODE:5096-9

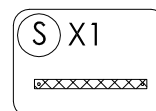
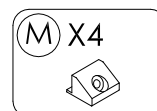
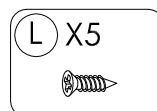
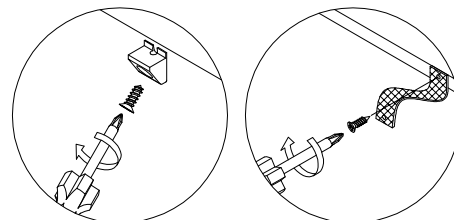
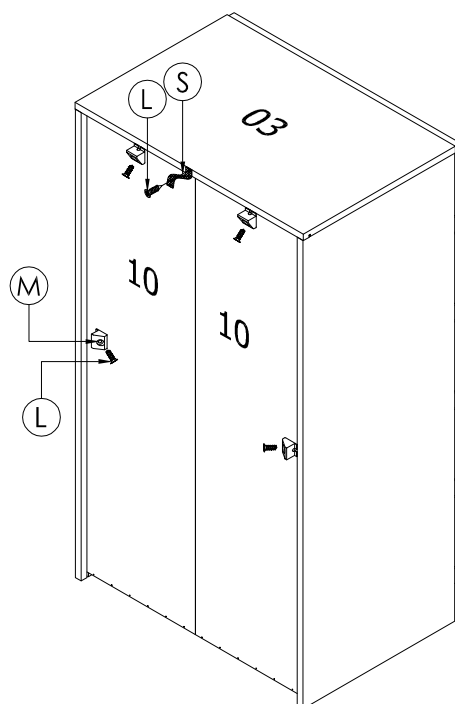
STEP 13

Affix the drawer to the body.



STEP 14

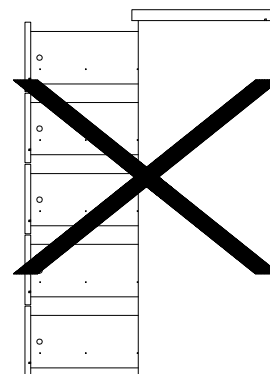
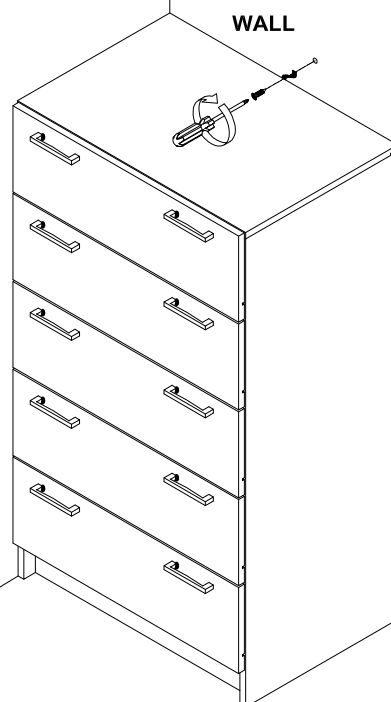
Attach the backply stoppers (M) to the rear panels (10) using 15mm screw (L). Attach pp strap (S) to top panels (3) with 15mm screw (L).



TRIBECCA 5 DRAWER CHEST

ITEM CODE:5096-9

ASSEMBLY IS COMPELETE



CAUTION :
FURNITURE THAT TIPS CAN
CAUSE SERIOUS INJURIES AND
CHILDREN ARE MORE AT RISK.
SECURE THIS PIECE OF
FURNITURE TO THE WALL,
USING THE STRAP PROVIDED.

NOTE :

WALL PLUG & SCREW ARE NOT SUPPLIED WITH THIS PRODUCT AS DIFFERENT WALL MATERIALS REQUIRE DIFFERENT TYPES OF FIXING HARDWARE & YOU MUST USE SUITABLE FIXING HARDWARE FOR TYPE OF WALL YOU INTEND TO MOUNT THIS PRODUCT TO WALL.



MEUBILAIR
DIRECT IMPORTS

Warranty Certificate

Congratulations! You have made an excellent choice of this quality product. Our commitment to quality also includes our service. Should you, contrary to expectations, experience defects due to manufacturing faults, **Meubilair Direct Imports** will provide you with a warranty against defects as follows:

Warranty

The product is guaranteed to be free from defects in workmanship and parts for a period of 12 months from the date of purchase. Defects that occur within this warranty period, under normal use and care, will be repaired, replaced or refunded at our discretion. The benefits conferred

by this warranty are in addition to all rights and remedies in respect of the product that the consumer has under the Competition and

Consumer Act 2010 and similar state and territory laws.

Our goods come with guarantees that cannot be excluded under the Australian Consumer Law. You are entitled to a replacement or refund for a major failure and for compensation for any other reasonably foreseeable loss or damage. You are also entitled to have the goods repaired or replaced if the goods fail to be of acceptable quality and the failure does not amount to a major failure.

Proof of Purchase

This warranty is valid for the original purchase and is not transferable. Please keep your purchase docket, tax invoice or receipt as the best proof of purchase, and as proof of date on which the purchase was made.

Normal Wear and Tear

This warranty does not cover normal wear and tear to the products or parts.

Exclusions

This warranty does not cover:

- Any defects caused by an accident, misuse, abuse, improper installation or operation, lack of reasonable care, unauthorized modification, loss of parts, tampering or attempted repair by a person not authorized by the distributor.
- Any product that has not been installed, operated or maintained in accordance with the manufacturers' operating instructions provided with the product.
- Any product that has been used for purposes other than domestic use.
- Any damage caused by improper power input or improper cable connection.

MEUBILAIR DIRECT IMPORTS PTY LTD

Customer Service

Email: cs@meubilair.com.au

Address: Unit 4, 4-5 Lambridge Place, Penrith, NSW, 2750

Opening Hours 9:00 am - 4:30pm (Mon-Fri)

When making a return, please ensure the product is properly packaged, so as to ensure that no damage occurs to the product during transit.

Please provide the original or a copy of the proof of purchase. Also please make sure you have included an explanation of the problem.

Please note that the costs of making a warranty claim, including any return postage, will be covered by the supplier identified above.

Please note upon receiving your warranty claim, the supplier will send, via the post or email, a repair and refurbished goods or parts notice.

Please provide your email address and advise the supplier, if you wish to obtain a repair and refurbished goods or parts notice via email.

AFTER SALES SUPPORT

EMAIL : cs@meubilair.com.au

Product code: 5096-9

03/2021





MEUBILAIR
DIRECT IMPORTS

Warranty Certificate

PRODUCT NAME

BRAND NAME

PRODUCT CODE 5096-9

NAME

ADDRESS

EMAIL

DAYTIME TEL NO

DATE OF PURCHASE

SERIAL NUMBER

We recommend that you attach a photocopy of your receipt, showing the date of purchase, to this Warranty certificate and **keep for your reference**.

In the event of a product fault, please email the Customer Service team. Please ensure that you include the product details (as shown on the card) at hand so that we are able to respond as quickly and efficiently as possible.

MEUBILAIR DIRECT IMPORTS PTY LTD

Customer Service

Email: cs@meubilair.com.au

Address: Unit 4, 4-5 Lambridge Place, Penrith, NSW, 2750

Opening Hours 9:00 am - 4:30pm (Mon-Fri)

Phone Number: [+61 2 47015363](tel:+61247015363)

AFTER SALES SUPPORT

Product code: 5096-9

03/2021

