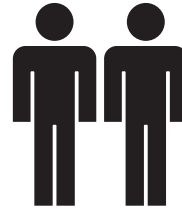


Marston White Multipurpose Storage Box

1.0hr

APPROXIMATE ASSEMBLY TIME

2 PERSON ASSEMBLY

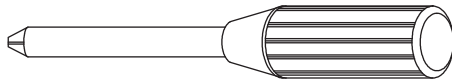


FLOOR AREA
1M x 2M

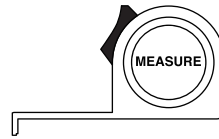


REQUIRED ASSEMBLY SPACE

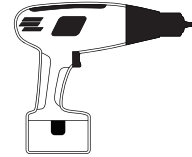
REQUIRED ASSEMBLY TOOLS



POZI SCREWDRIVER

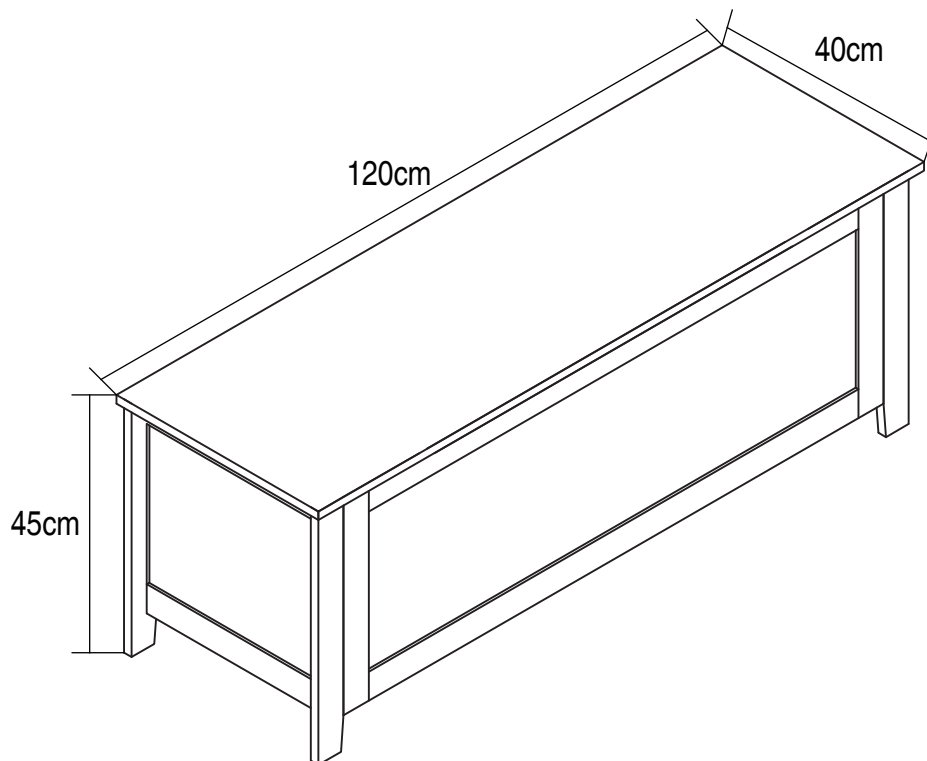


MEASURING TAPE



DRILL

ASSEMBLED DIMENSIONS



Marston White Multipurpose Storage Box

Tips before you start:

1. Please check that all parts are present before you start the assembly of your furniture.
2. For ease and speed of assembly, we recommend that before you commence each step of the assembly, that you identify all the parts required for that step.
3. For larger items, please ensure that you have sufficient space and people (as indicated on page 1) to assemble your product safely.
4. We recommend that, where possible, all items are assembled near to the area in which they will be placed in use, to avoid moving the product unnecessarily once assembled.
5. For the protection of your furniture, we recommend that the product is placed on a protected surface during assembly to prevent any damage.
6. During assembly please take care not to over-tighten any fittings, as this may damage the product.
7. Always place the product on a flat, steady and stable surface.
8. Do not stand on the product. Do not use the product as a stepladder.
9. This product is intended for indoor, household use only as it is non industrial product.

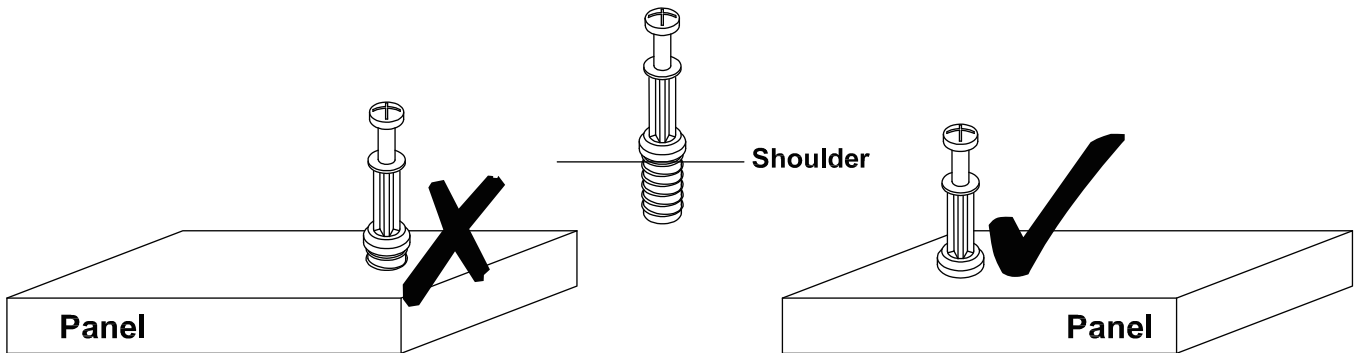
Care and Maintenance of your Furniture

- Please periodically check all fittings and re-tighten as necessary.
- To clean your item, please use a damp cloth and wipe clean.
- Never allow any kind of liquid to remain on your furniture. Absorption can cause wood to warp or finishes to de-laminate.
- Please do not place hot items (eg. Hot drinks) directly on to the surface.
- Please do not drag and pull your furniture.

Marston White Multipurpose Storage Box

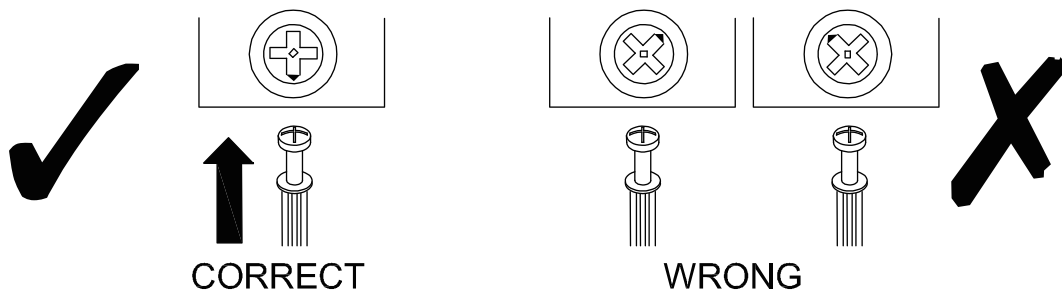
Tips before you start:

QUICKFIT



Tighten quickfit until shoulder is flush with panel. Do not overtighten or undertighten.

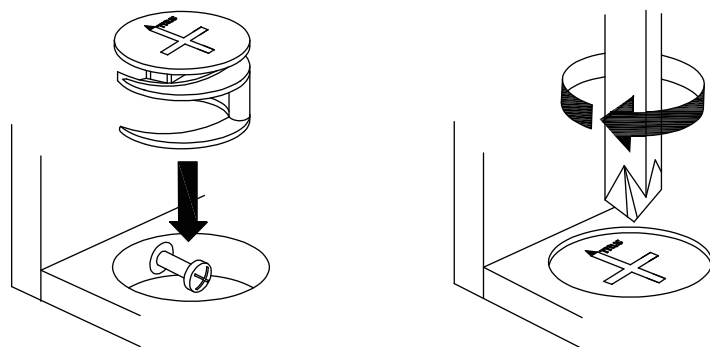
CAM LOCK



When fitting cam lock, ensure starting position is correct before you insert connecting quickfit.

Quickfit head should be in the centre of the cam lock when the two panels are joined.

Cam lock should be inserted before quickfit.



Turn camlock clockwise to tighten.

Marston White Multipurpose Storage Box

HARDWARE LIST



A X 10 PCS
Male Camlock Screw



B X 10 PCS
Female Camlock



C X 2 PCS



D X 16 PCS
Screw



E X 1 PCS

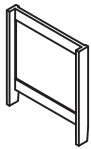


F X 1 PCS

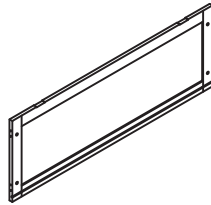


G X 8 PCS
Wooden Dowel

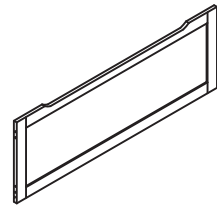
PARTS LIST



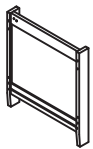
1 1 PC



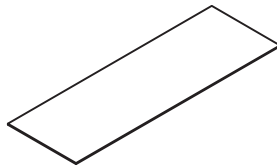
2 1 PC



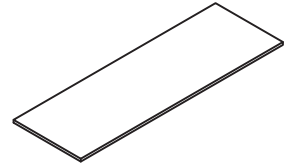
3 1 PC



4 1 PC



5 1 PC



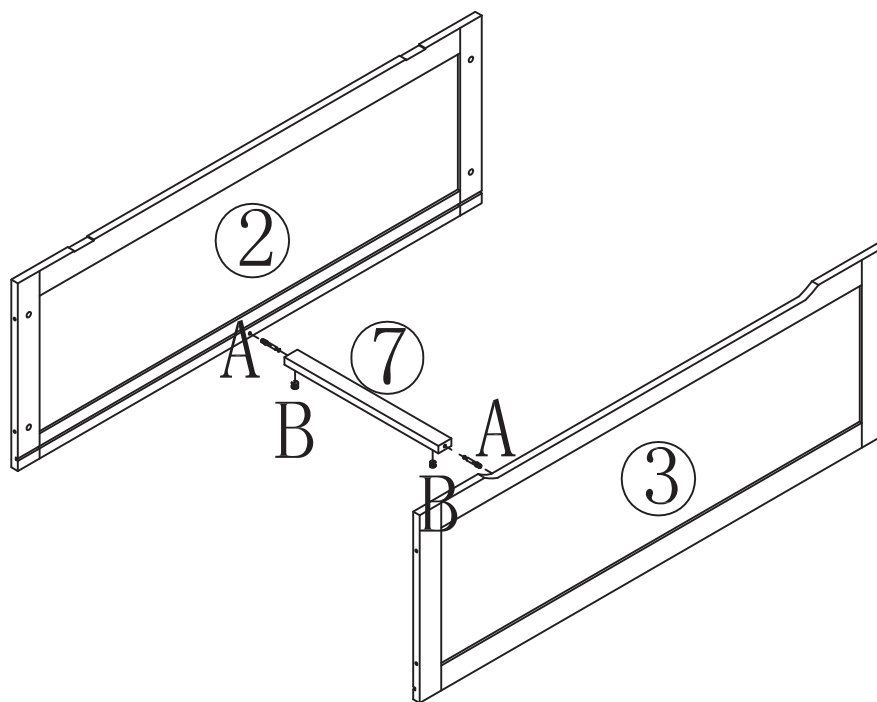
6 1 PC



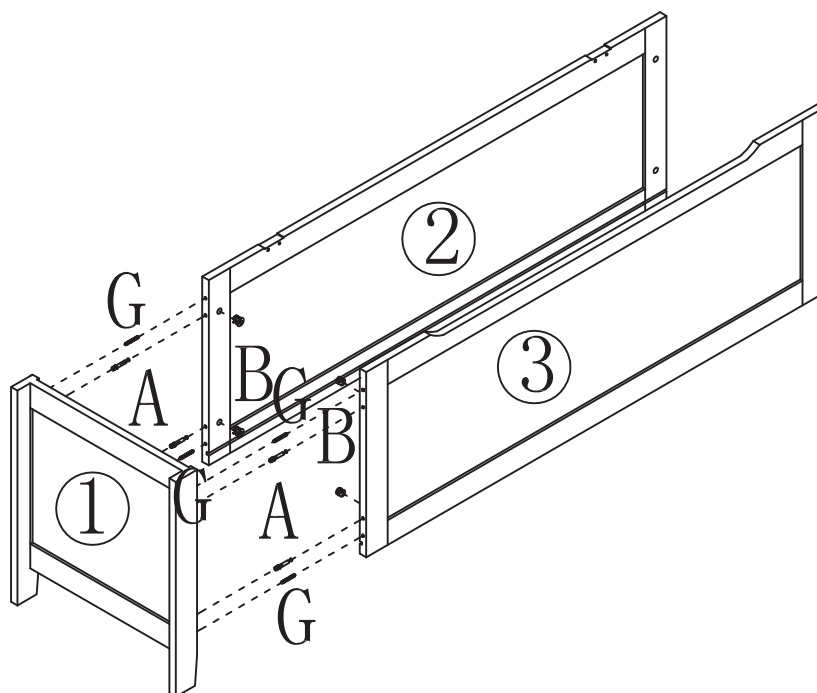
7 1 PC

Marston White Multipurpose Storage Box

STEP 1

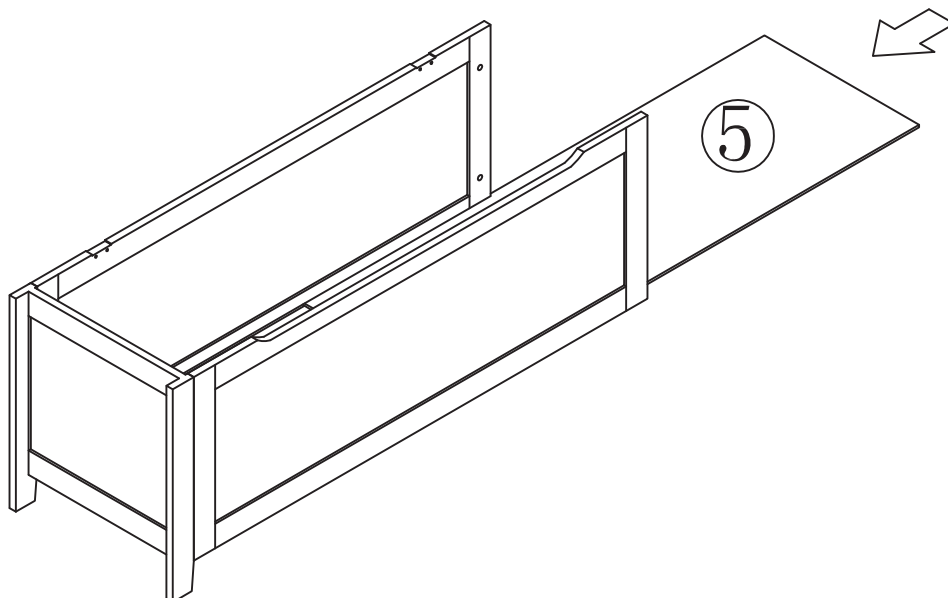


STEP 2

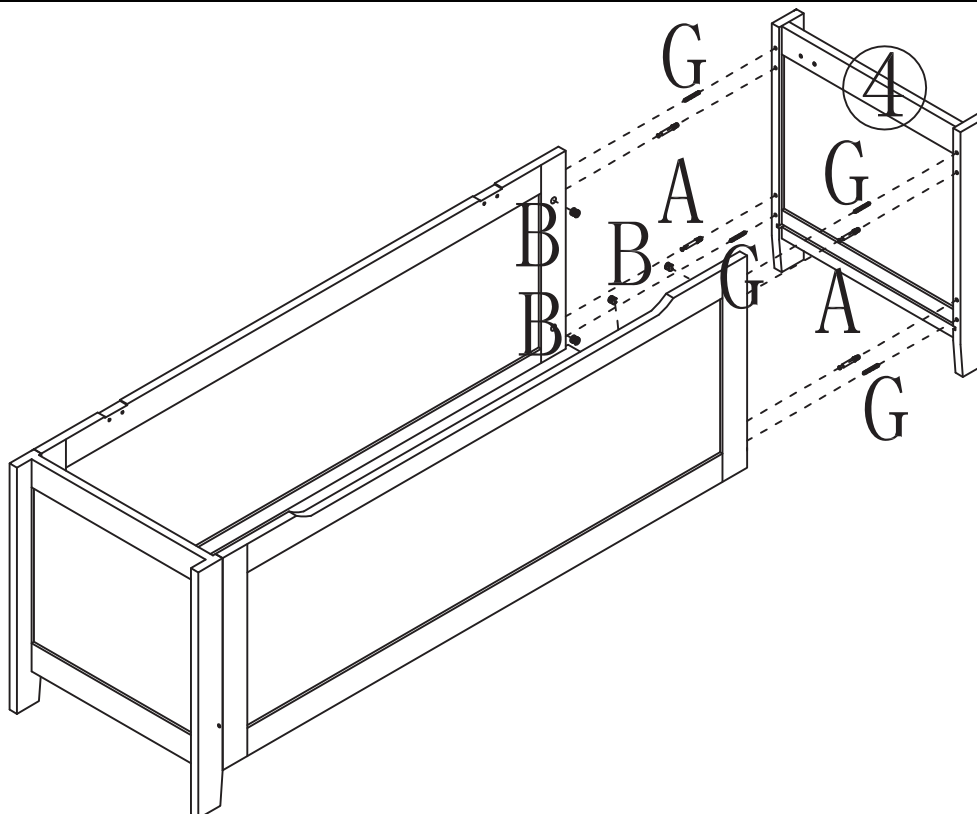


Marston White Multipurpose Storage Box

STEP 3

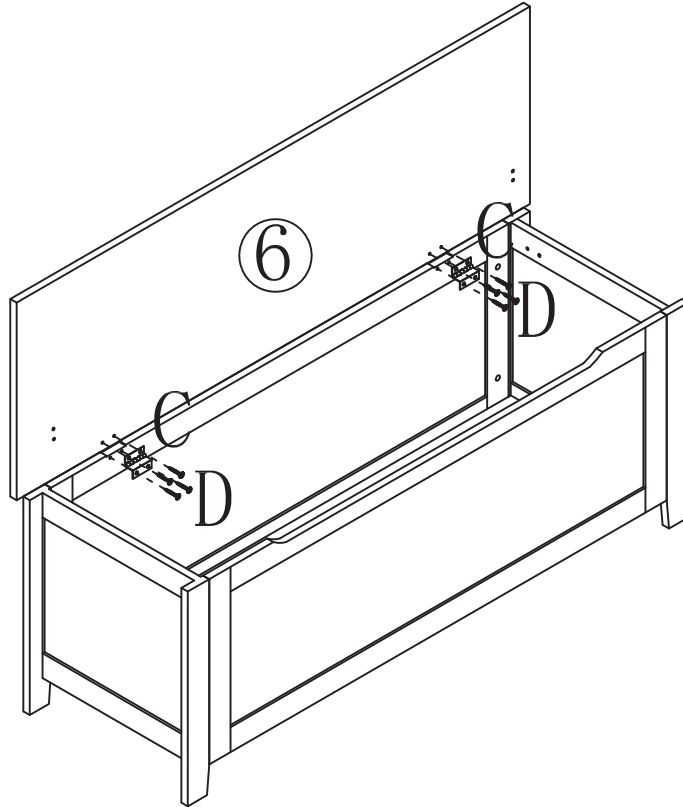


STEP 4

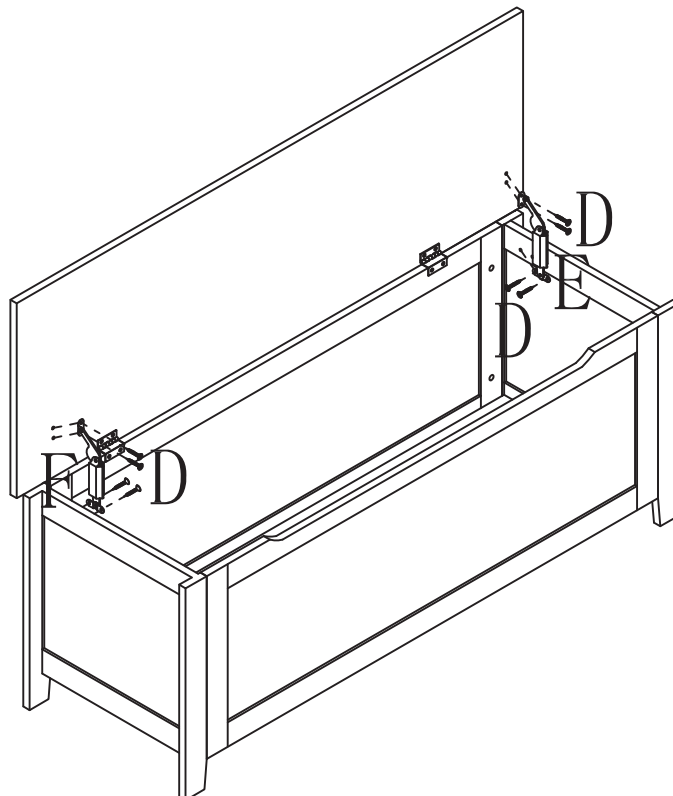


Marston White Multipurpose Storage Box

STEP 5



STEP 6



Marston White Multipurpose Storage Box

STEP 7

