

Assembly Instruction

SAFETY WARNING !

A)

WARNING : TOP BUNKS AND ELEVATED BEDS

ARE DANGEROUS AND ARE NOT RECOMMENDED

FOR CHILDREN UNDER THE AGE OF 9

Falls from elevated beds can be fatal and deaths have occurred where children have fallen from elevated beds. This is relevant for all ages. The risk is greater for younger children.

The risk of injury or death from a fall from an elevated bed compared to a non-elevated bed is :

10 x greater for 7-8 year olds

7 x greater for 9-10 year olds

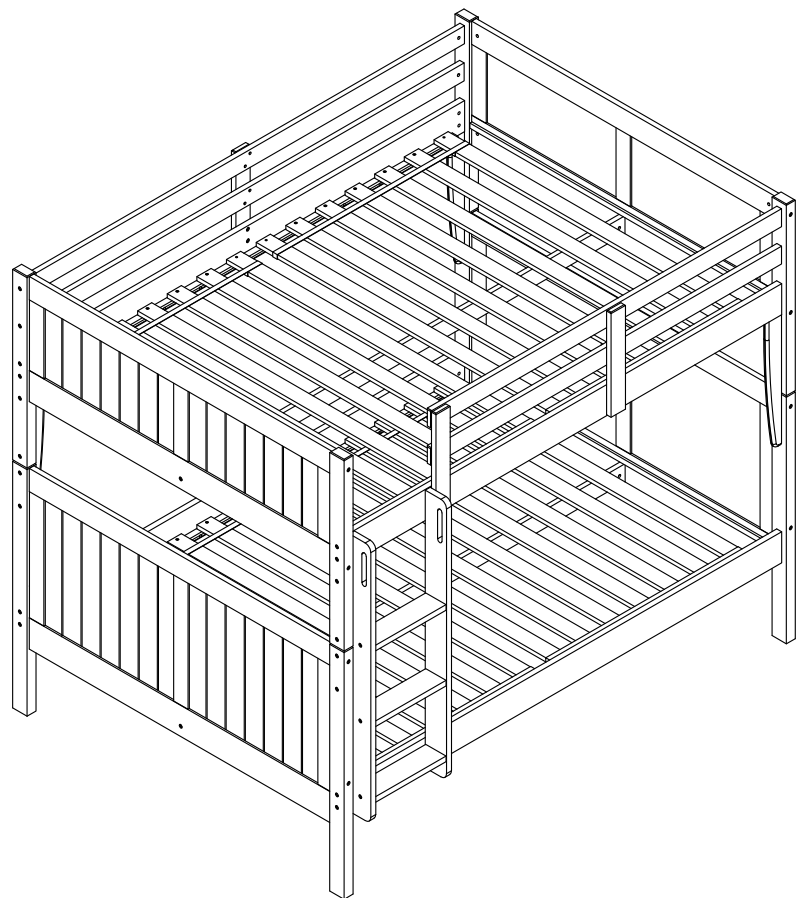
3 x greater for 11-12 year olds

B) Children should be discouraged from playing on the bunk bed.

C) The bunk bed should be checked periodically to ensure that the guardrail, access device and other components are maintained in the correct position and state of repair and that all connectors are tight.

D) **WARNING** : The upper bunk must be more than 2m from any ceiling fan.

ASSEMBLY INSTRUCTIONS



ASSEMBLY TIPS

1. Remove hardware from box and sort by size.
2. Please check to see that all hardware and parts are present prior start of assembly.
3. Please follow attached instructions in the same sequence as numbered to assure fast and easy assembly.












Warning !

1. Don't attempt to repair or modify parts that are broken or defective. Please contact the store immediately.
2. This product is for home use only and not intended for commercial establishments.

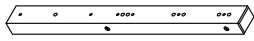
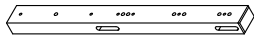
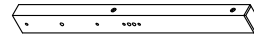
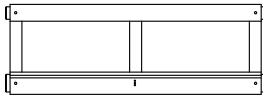
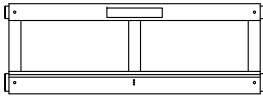

"Slat base is using the timber wood material which is LVL (Laminated Veneer Lumber). Laminated veneer lumber (LVL) is an engineered wood product that uses multiple layers of thin wood assembled with adhesives, and it is comparable in strength to solid timber slat. Some of the slat you might find the timber wood joiner which is not a crack or defect which is still strong and solid".

HARDWARE LIST

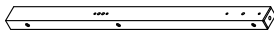

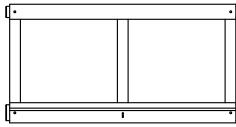
1		16 PCS	8		48 PCS
	JCBC M6 x 100mm			BARREL NUT M6 x 13mm	
2		22 PCS	9		1 PC
	JCBC M6 x 80mm			ALLEN KEY M4	
3		26 PCS			
	JCBC M6 x 60mm				
4		10 PCS			
	JCBC M6 x 30mm				
5		16 PCS			
	JCBC-W M6 x 28mm				
6		52 PCS			
	WOOD SCREW 4.0 x 28mm				
7		62 PCS			
	WOOD DOWEL Ø10 x 30mm				

PART LIST

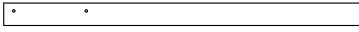
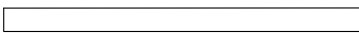
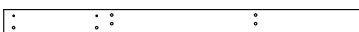
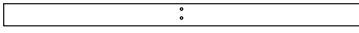
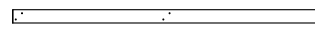
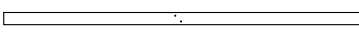
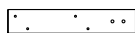
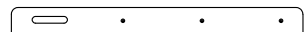



CARTON 1 OF 4

ITEM	PART NAME	QTY
C	UPPER LEG (RIGHT FRONT & LEFT REAR) 	2
D	UPPER LEG (RIGHT REAR) 	1
E	UPPER LEG (LEFT FRONT) 	1
F	UPPER HEADBOARD FRAME 	1
G	UPPER FOOTBOARD FRAME (WITH STICKER) 	1
T	SUPPORT RAIL 	4

CARTON 2 OF 4

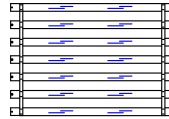
ITEM	PART NAME	QTY
A	LOWER LEG (RIGHT FRONT & LEFT REAR) 	2
B	LOWER LEG (RIGHT REAR & LEFT FRONT) 	2
H	LOWER HEADBOARD/FOOTBOARD FRAME 	2

CARTON 3 OF 4

ITEM	PART NAME	QTY
I	SIDE RAIL (LOWER FRONT) 	1
J	SIDE RAIL (LOWER REAR) 	1
K	SIDE RAIL (UPPER FRONT) 	1
L	SIDE RAIL (UPPER REAR) 	1
M	FRONT GUARD RAIL 	2
N	REAR GUARD RAIL 	2
O	GUARD RAIL SUPPORT 	3
P	LEFT LADDER RAIL 	1
Q	RIGHT LADDER RAIL 	1
R	LADDER STRETCHER 	3
S	CENTER RAIL 	2

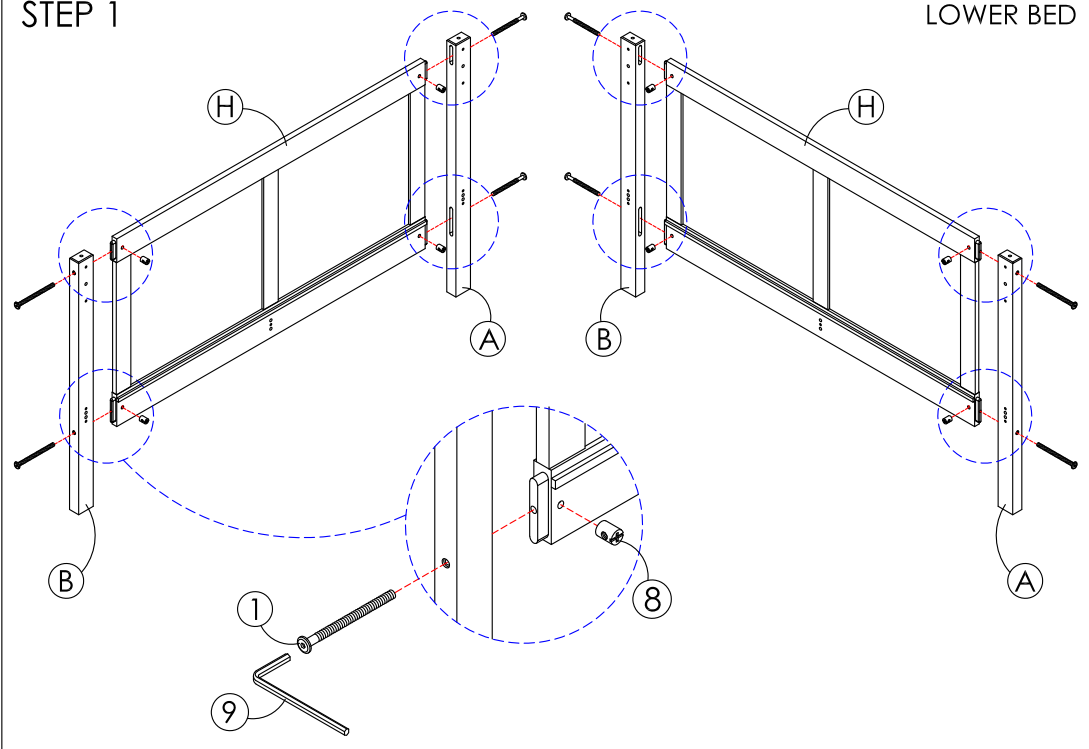
Assembly Instructions + Fitting List

CARTON 4 OF 4

ITEM	PART NAME	QTY
U	SLATS 	4

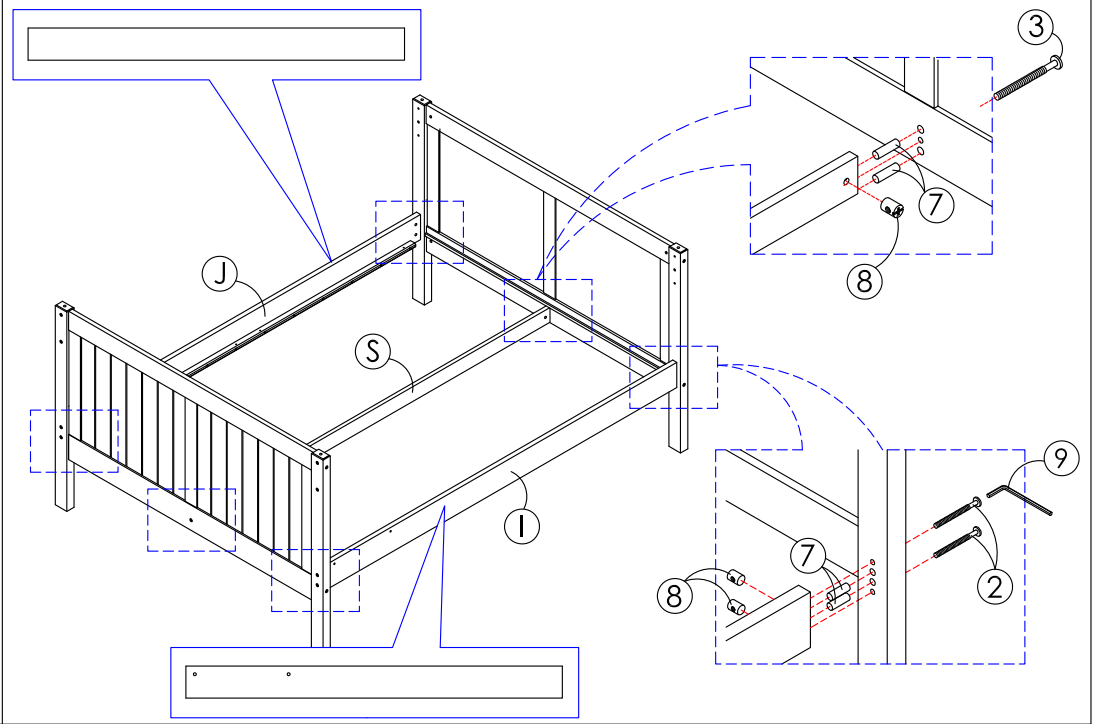
STEP 1

LOWER BED



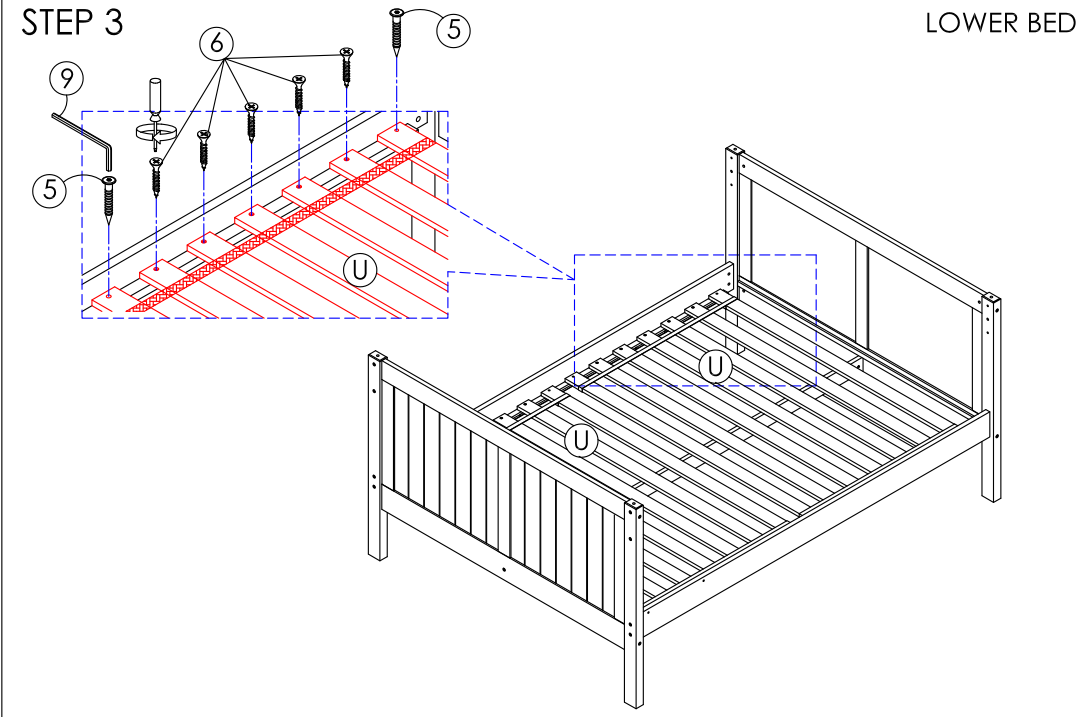
STEP 2

LOWER BED



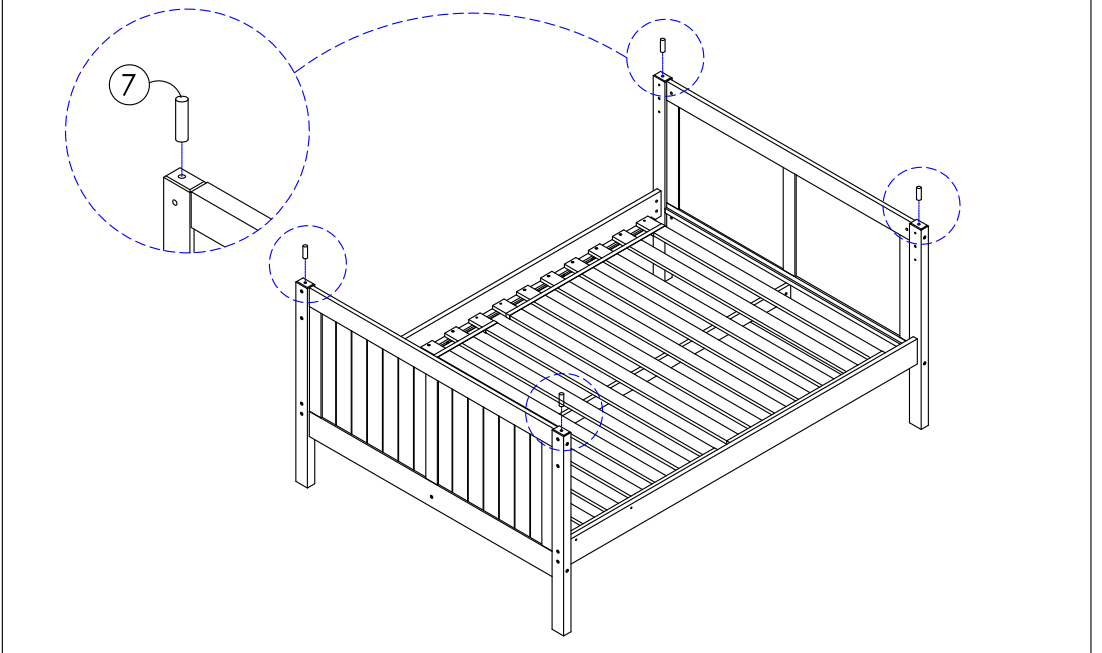
STEP 3

LOWER BED



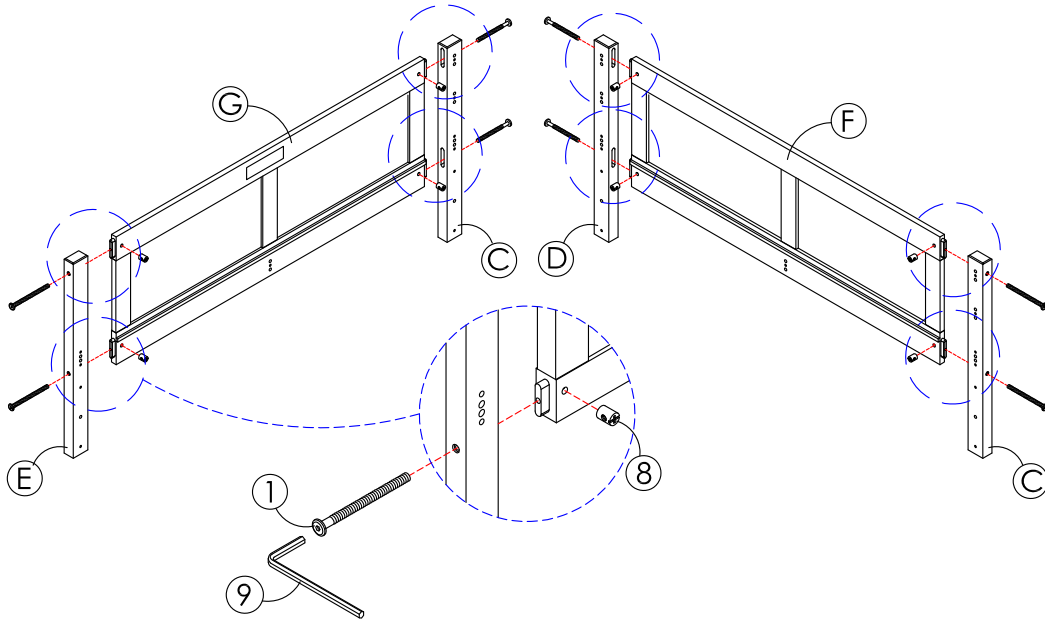
STEP 4

LOWER BED



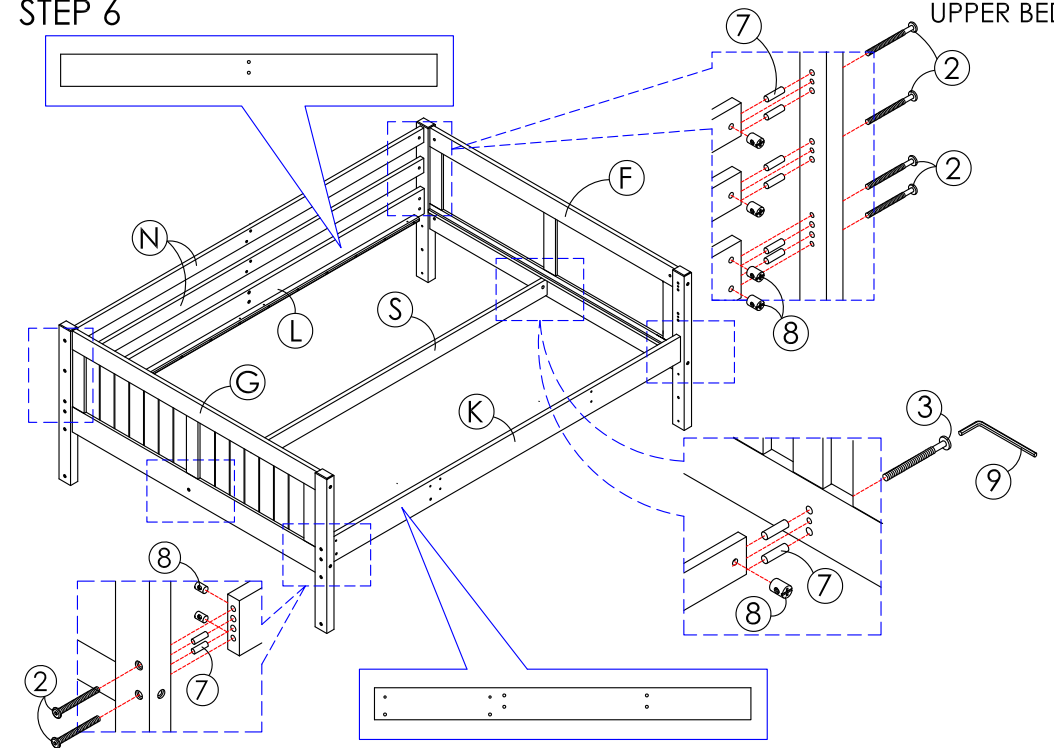
STEP 5

UPPER BED



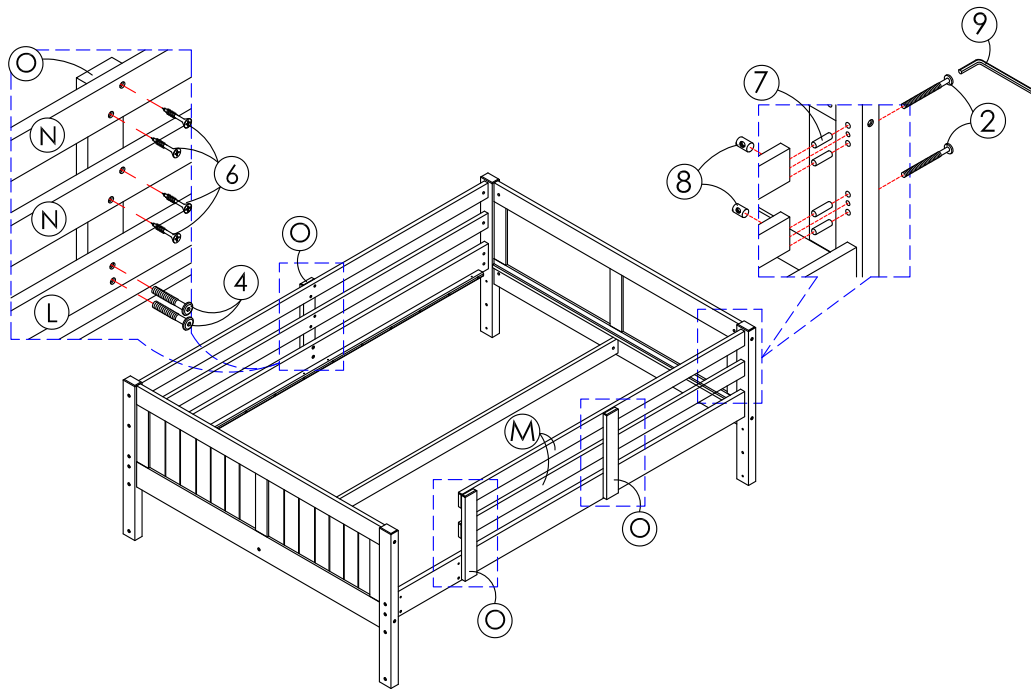
STEP 6

UPPER BED



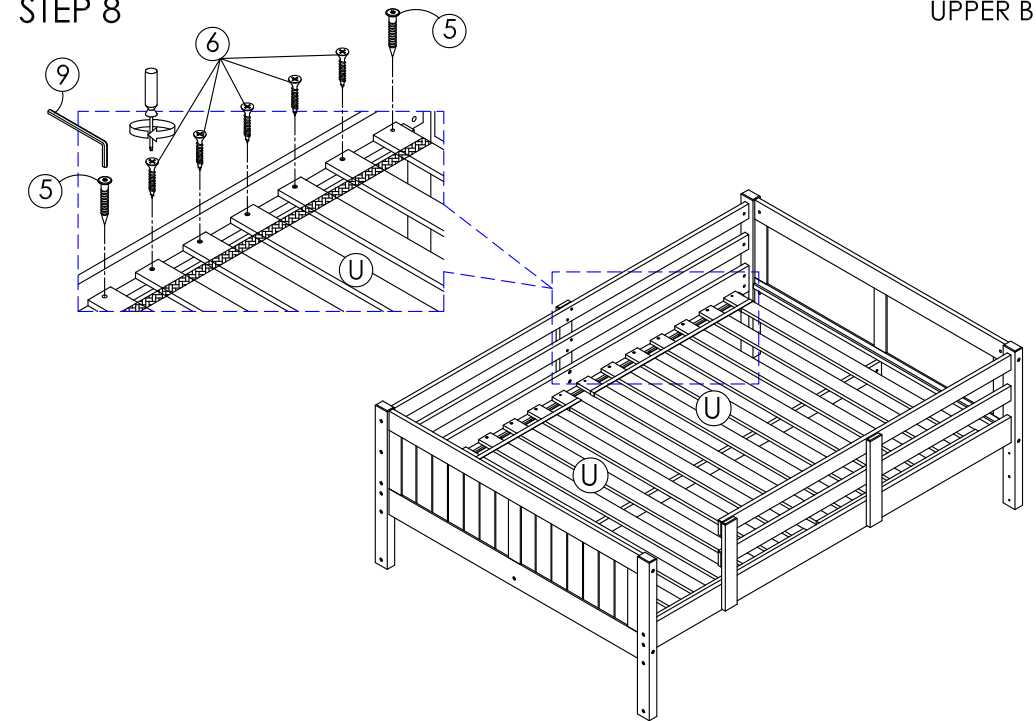
STEP 7

UPPER BED

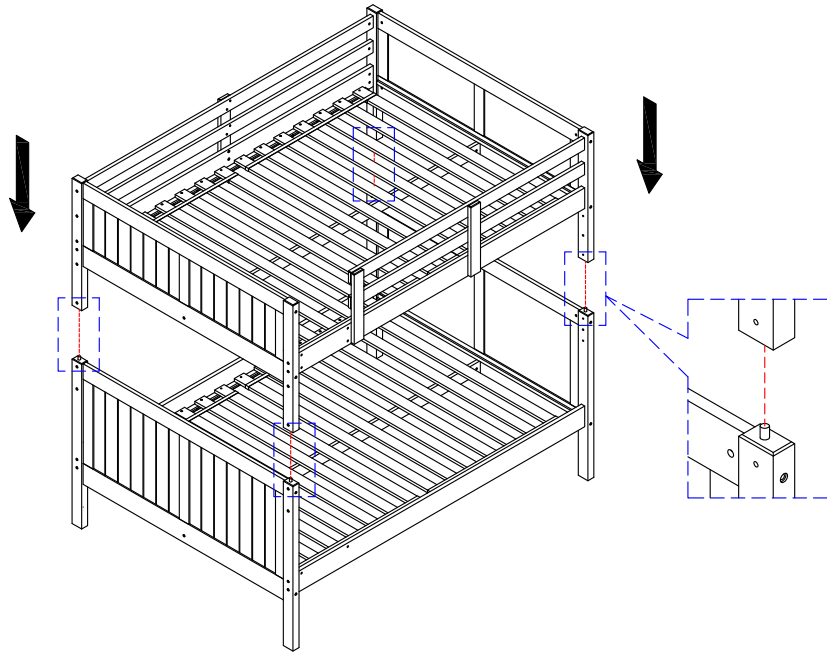


STEP 8

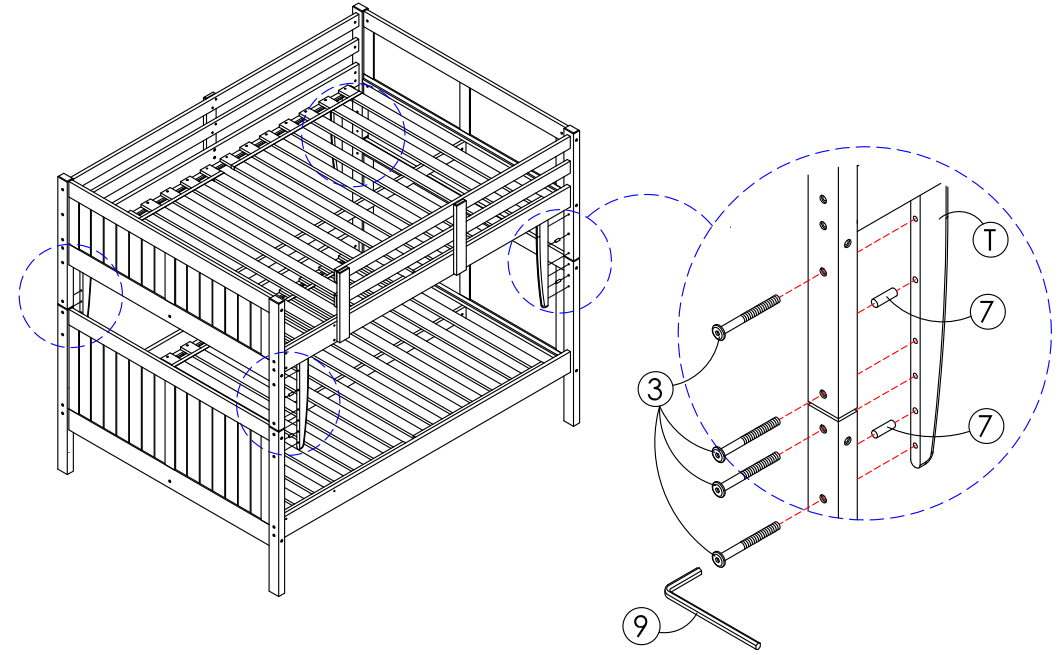
UPPER BED



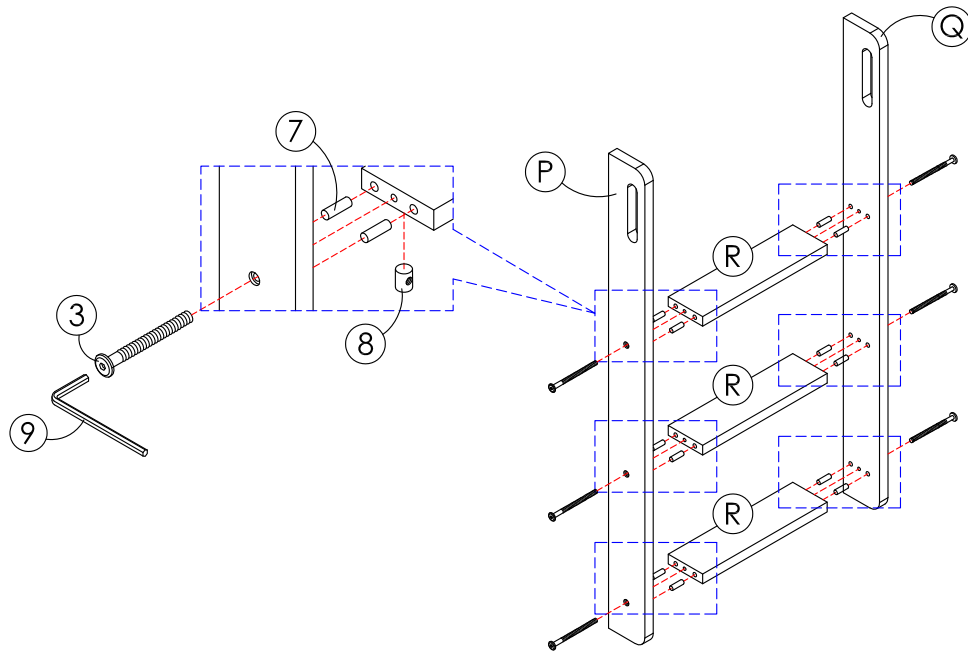
STEP 9



STEP 10



STEP 11



STEP 12

