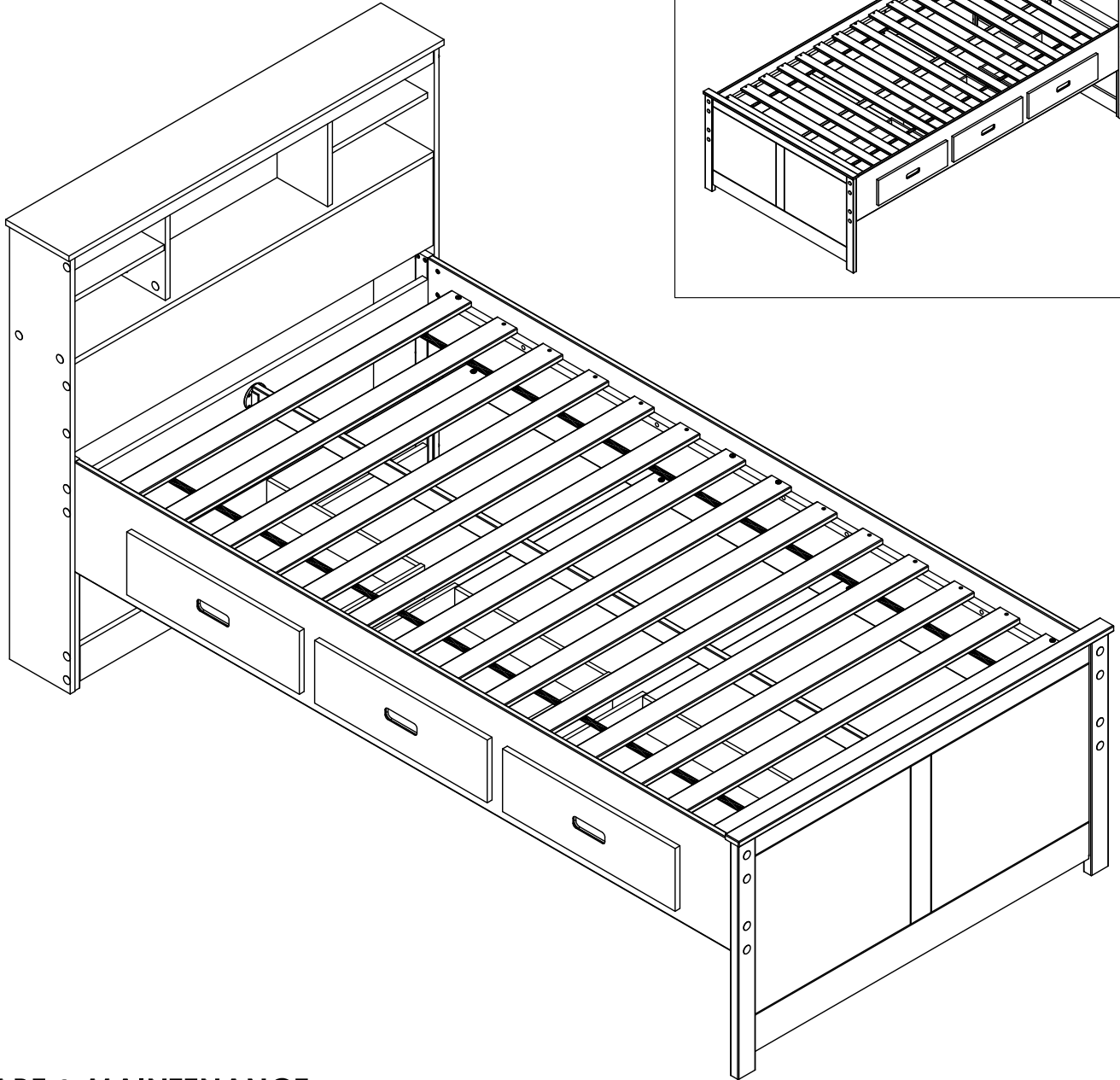


ASSEMBLY INSTRUCTION

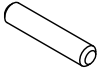
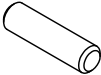
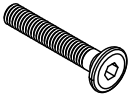
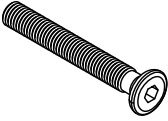
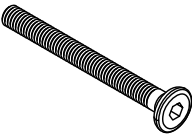
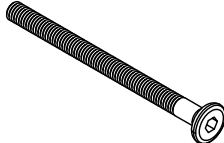


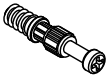




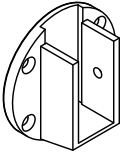


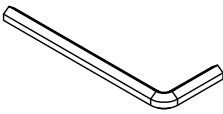

MODEL : IQ2106KSW KING SINGLE CAPTAIN BED (1090 x 2070)MM



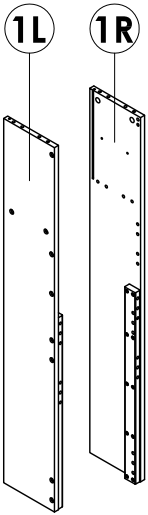
CARE & MAINTENANCE:

- Check all the components and fittings before start assembly.
- Assemble the item as close as possible to its final position (in the room of use).
- Assemble on a soft level surface to avoid damaging the unit or your floor.
- Assemble the parts will be easier with 2 persons.
- Periodically check all screws and fittings to ensure they are secure.
- The use of power drill is not recommended as this could damage the unit. Only use hand screwdrivers.
- DO NOT push the bed frame as this will damage the legs.
- Always lift the item with 2 persons to reposition.
- Keep any sharp objects away from the item.
- DO NOT drag objects across finished surfaces.
- Avoid placing your furniture in direct sunlight.
- Use clean, soft, dry, and lint-free cloth for the dusting process.

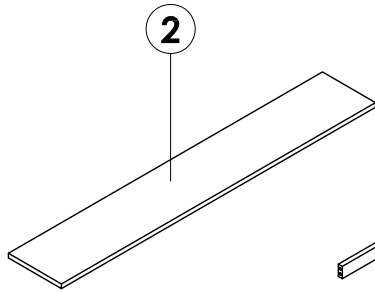
HARDWARE LIST (VP 399)

<p>A 24 PCS</p>  <p>PLASTIC DOWEL (M6 x 30MM)</p>	<p>B 37 PCS</p>  <p>PLASTIC DOWEL (M8 x 30MM)</p>	<p>C 8 PCS</p>  <p>JCBC BOLT (M6 x 35MM)</p>
<p>D 10 PCS</p>  <p>JCBC BOLT (M6 x 50MM)</p>	<p>E 8 PCS</p>  <p>JCBC BOLT (M6 x 60MM)</p>	<p>F 16 PCS</p>  <p>JCBC BOLT (M6 x 80MM)</p>
<p>G 34 PCS</p>  <p>JRN NUT (M6 x 13MM)</p>	<p>H 8 PCS</p>  <p>JCBC W SCREW (M7 x 32MM)</p>	<p>J 26 PCS</p>  <p>CONNECTING BOLT (24MM)</p>
<p>K 12 PCS</p>  <p>MINIFIX (9MM)</p>	<p>L 14 PCS</p>  <p>MINIFIX (12MM)</p>	<p>M 10 PCS</p>  <p>CSK C/B SCREW (M3.5 x 16MM)</p>
<p>N 27 PCS</p>  <p>CSK C/B SCREW (M4 x 32MM)</p>	<p>P 2 PCS</p>  <p>944 BED BRACKET</p>	<p>Q 8 PCS</p>  <p>METAL SHELF SUPPORT 010</p>
<p>R 30 PCS</p>  <p>ROUND STICKER (0.5 x 21MM)</p>	<p>S 1 PC</p>  <p>ALLEN KEY (M4 x 60MM)</p>	 <p>Do not recommend the use of power drills/drivers for inserting bolts/screws as this could damage the unit.</p> <p>Tools Required : Crosshead Screw Driver</p>

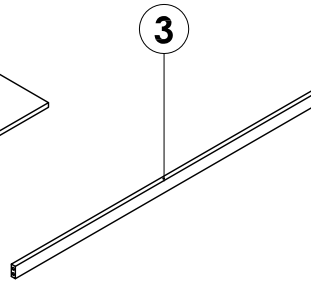
PART LIST



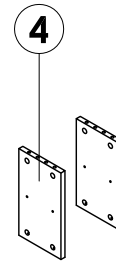
**SIDE PANEL
HEADBOARD (L/R)**
(2 PCS / SET)
CARTON 1 OF 3



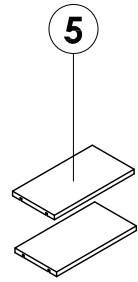
**TOP PANEL
HEADBOARD**
(1 PC / SET)
CARTON 1 OF 3



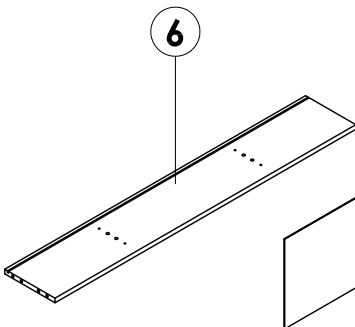
**TOP RAIL
HEADBOARD**
(1 PC / SET)
CARTON 1 OF 3



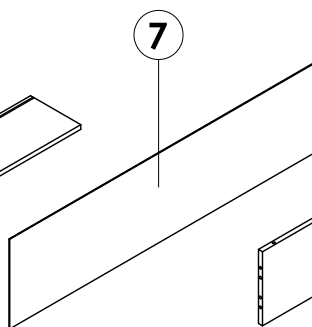
**DIVIDER
HEADBOARD**
(2 PCS / SET)
CARTON 1 OF 3



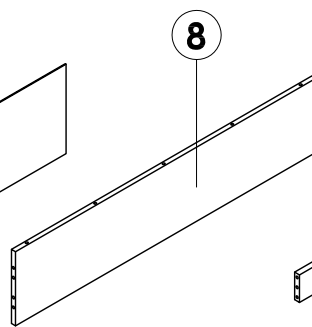
**TOP SHELF
HEADBOARD**
(2 PCS / SET)
CARTON 1 OF 3



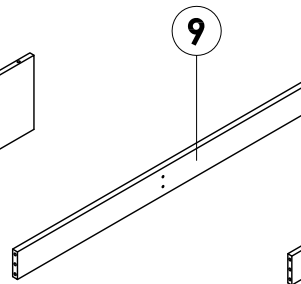
**BOTTOM PANEL
HEADBOARD**
(1 PC / SET)
CARTON 1 OF 3



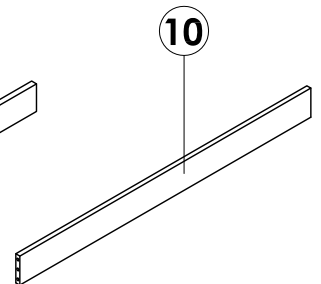
**BACK PANEL
HEADBOARD**
(1 PC / SET)
CARTON 1 OF 3



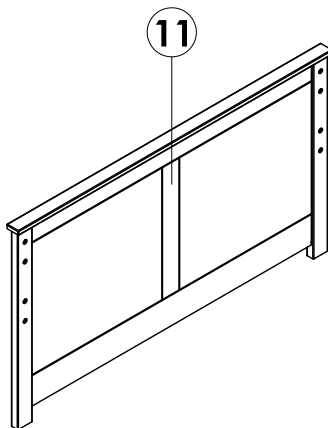
**FRONT PANEL
HEADBOARD**
(1 PC / SET)
CARTON 1 OF 3



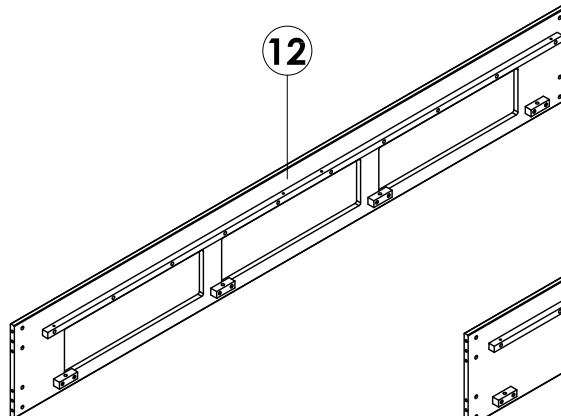
**CENTER RAIL
HEADBOARD**
(1 PC / SET)
CARTON 1 OF 3



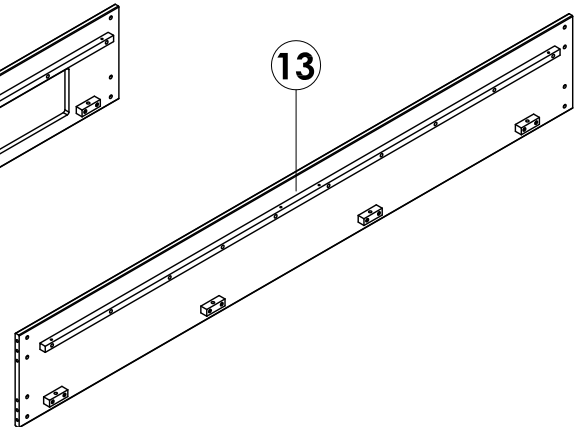
**BOTTOM RAIL
HEADBOARD**
(1 PC / SET)
CARTON 1 OF 3



FOOTBOARD
(1 PC / SET)
CARTON 2 OF 3

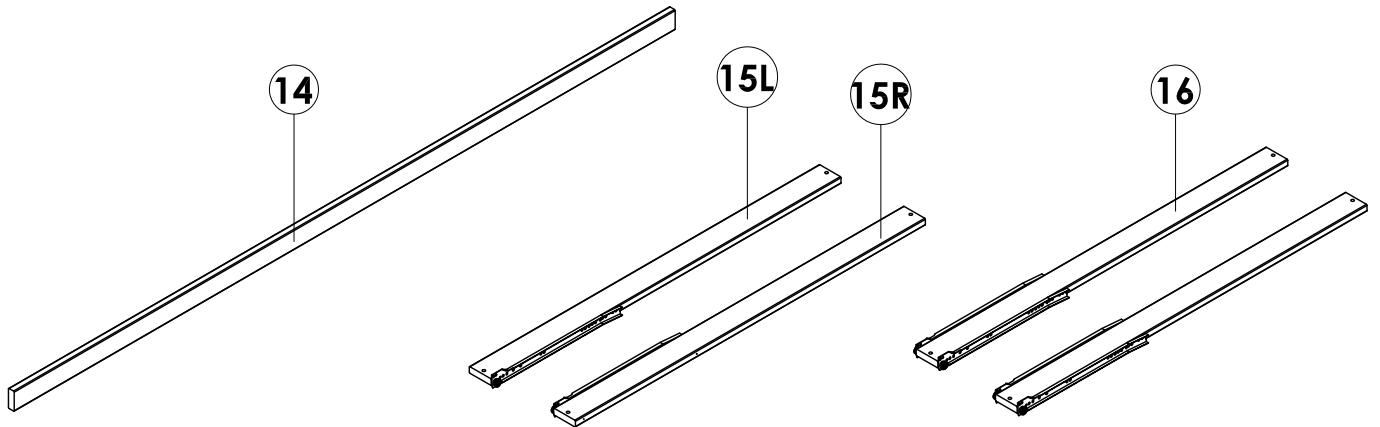


SIDE RAIL (FRONT)
(1 PC / SET)
CARTON 3 OF 3



SIDE RAIL (REAR)
(1 PC / SET)
CARTON 3 OF 3

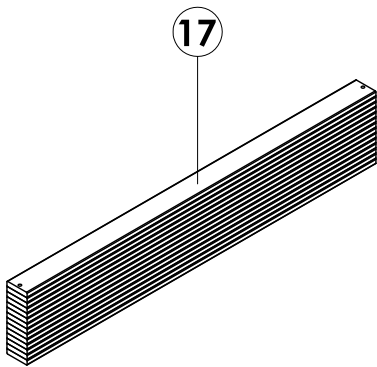
PART LIST



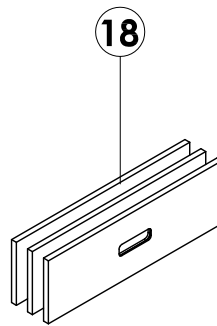
14
CENTER SUPPORT
(1 PC / SET)
CARTON 3 OF 3

15L
15R
DRAWER SUPPORT (L/R)
(2 PCS / SET)
CARTON 3 OF 3

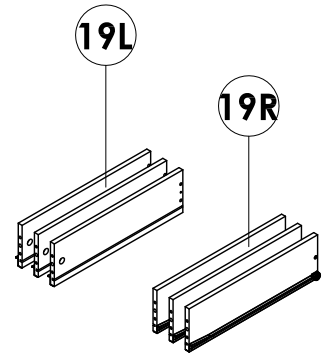
16
DRAWER SUPPORT (CENTER)
(2 PCS / SET)
CARTON 3 OF 3



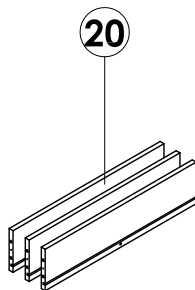
17
WOODEN SLAT
(14 PCS / SET)
CARTON 2 OF 3



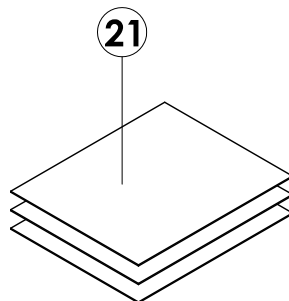
18
DRAWER FACE
(3 PCS / SET)
CARTON 3 OF 3



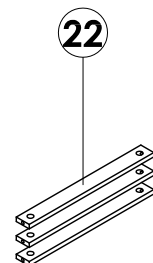
19L
19R
DRAWER SIDE (L/R)
(6 PCS / SET)
CARTON 3 OF 3



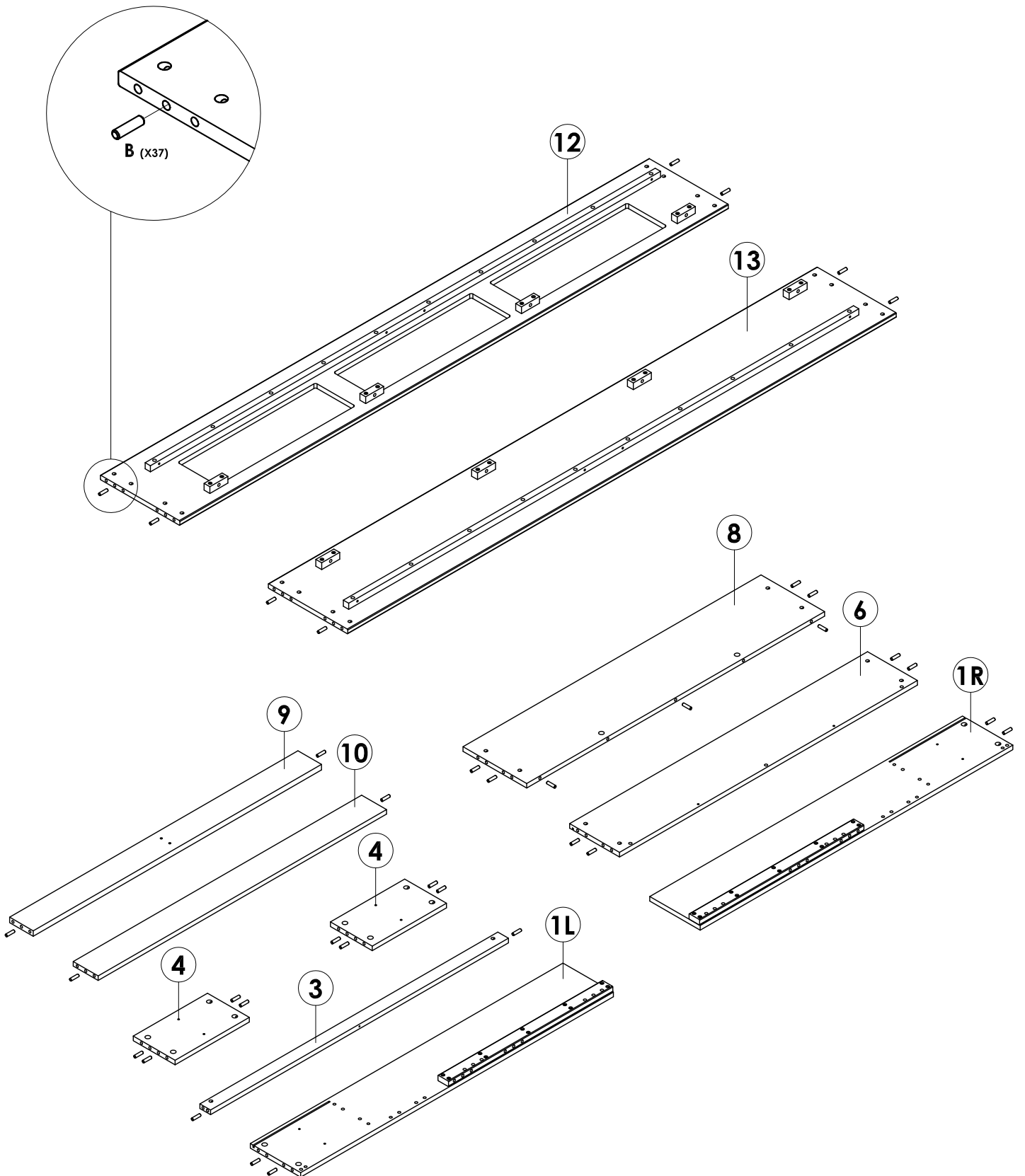
20
DRAWER REAR
(3 PCS / SET)
CARTON 3 OF 3



21
DRAWER BASE
(3 PCS / SET)
CARTON 3 OF 3

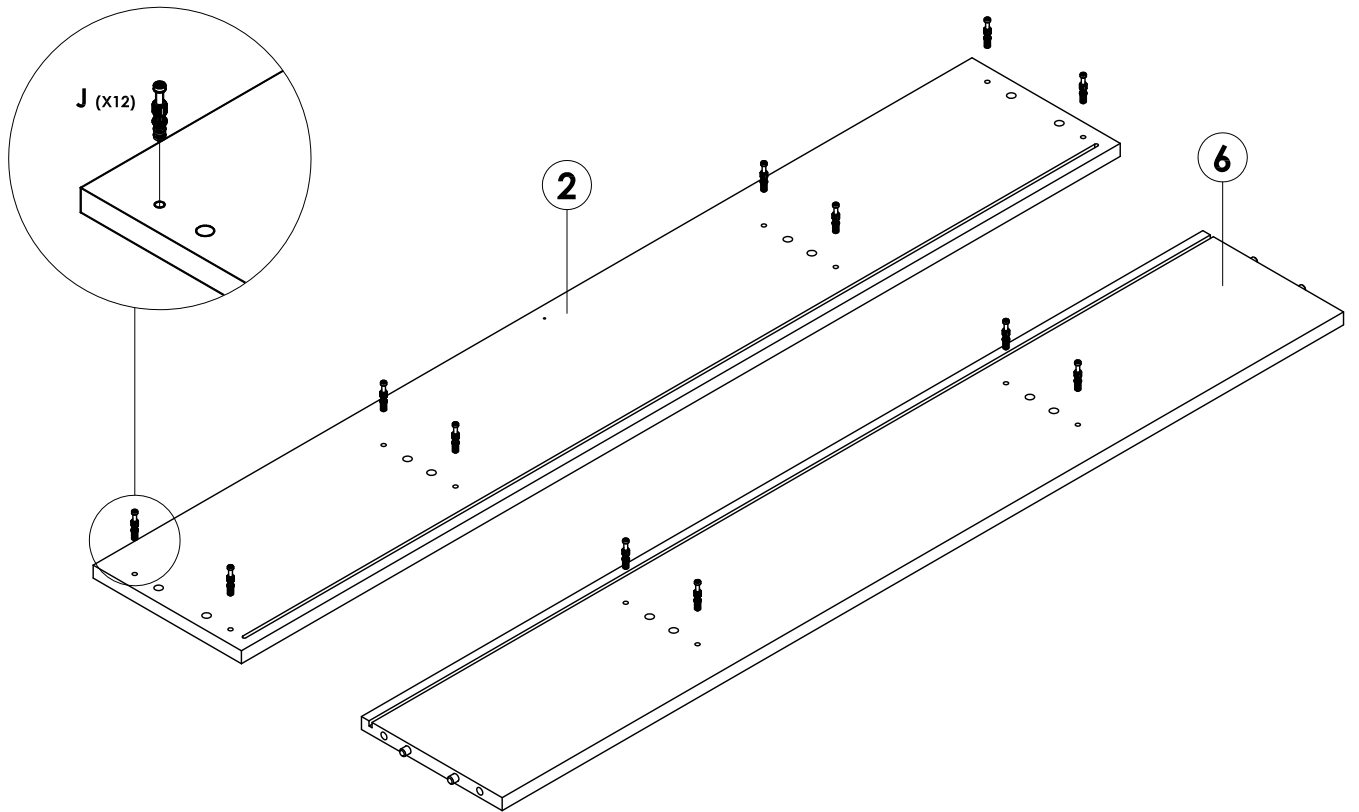


22
DRAWER BASE SUPPORT
(3 PCS / SET)
CARTON 3 OF 3



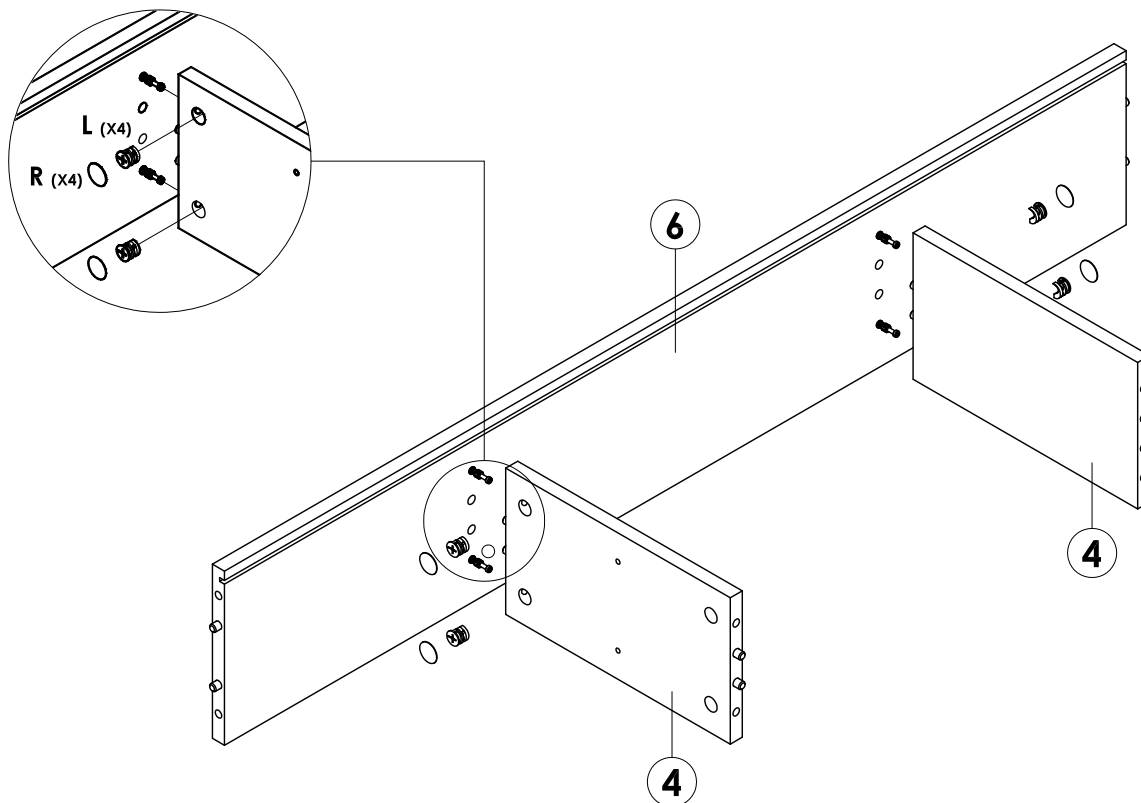
STEP 1

Insert **(B)** into Ø8MM holes on **Side Panel Headboard (Left), Side Panel Headboard (Right), Top Rail Headboard, Divider Headboard, Bottom Panel Headboard, Front Panel Headboard, Center Rail Headboard, Bottom Rail Headboard, Side Rail (Front) and Side Rail (Rear).**



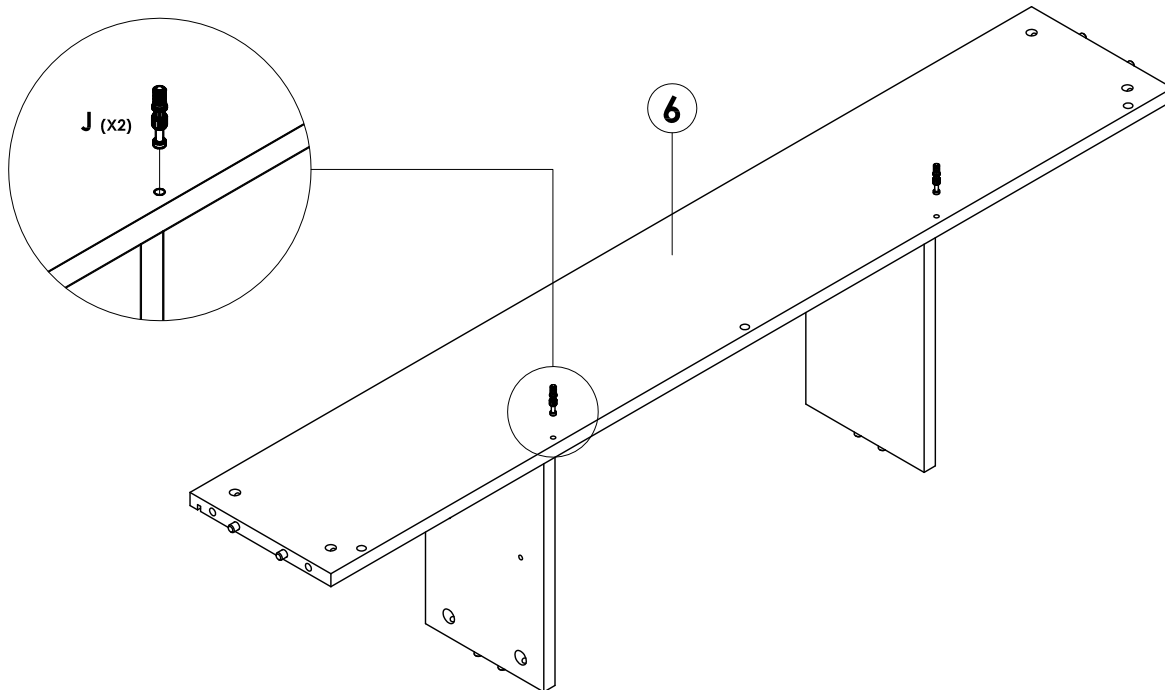
STEP 2

Insert **(J)** into Ø5MM holes on **Top Panel Headboard** and **Bottom Shelf Headboard**.



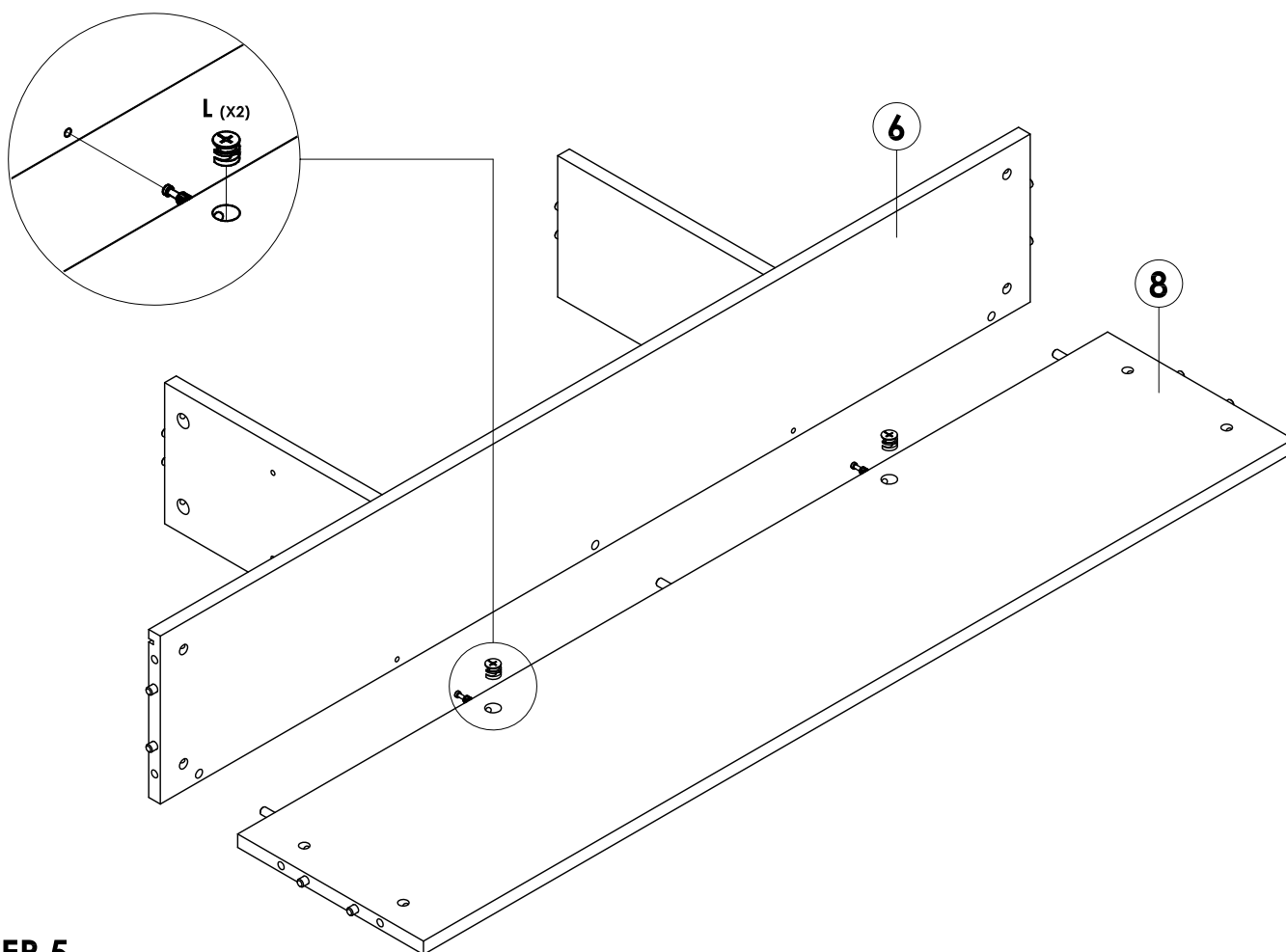
STEP 3

Attach and Secure **Divider Headboard** onto **Bottom Shelf Headboard** by using **(L)**, tighten it up by using Crosshead screw driver. Follow it up by attaching **(R)** into screw holes.



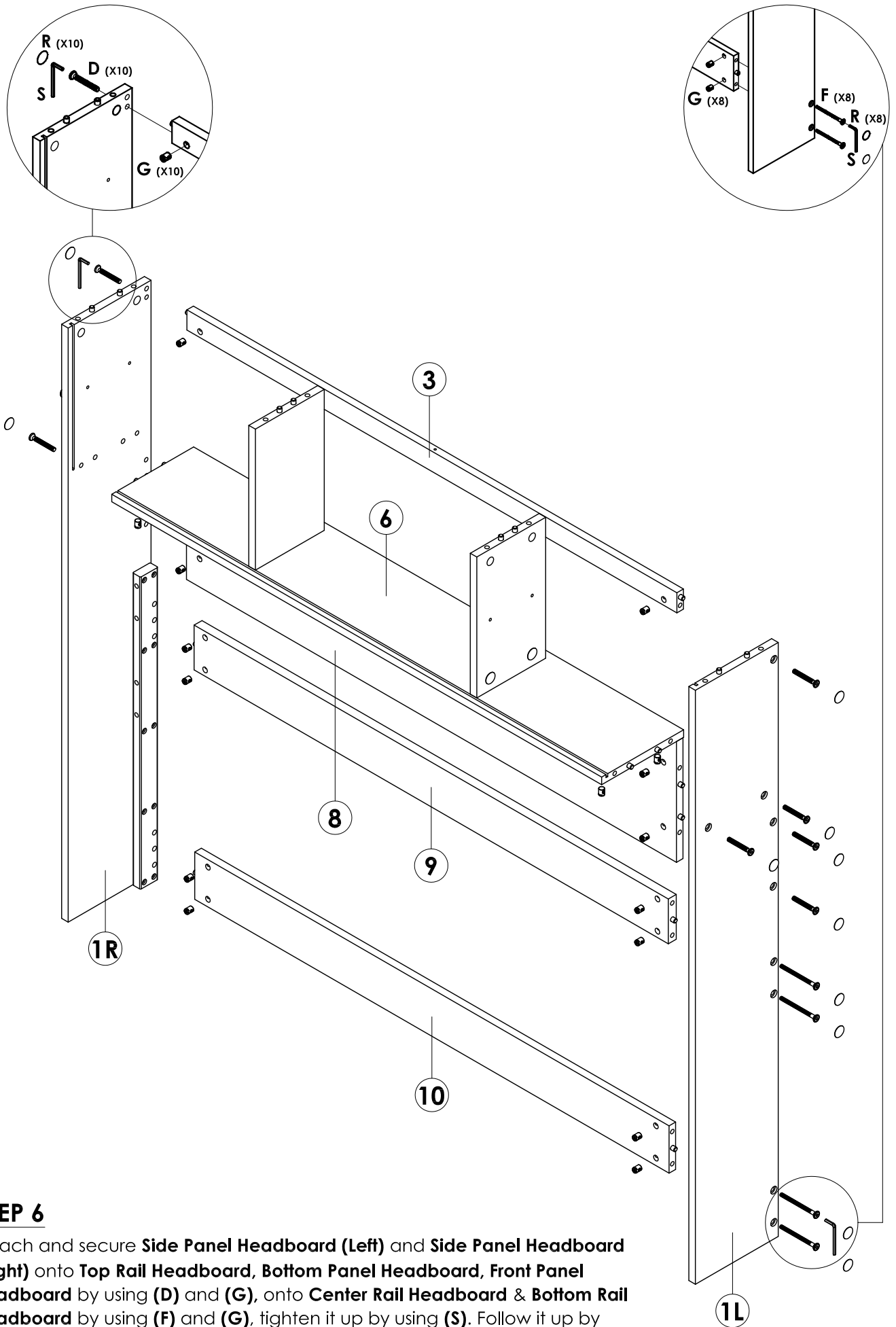
STEP 4

Insert **(J)** into Ø5MM holes **Bottom Shelf Headboard**.



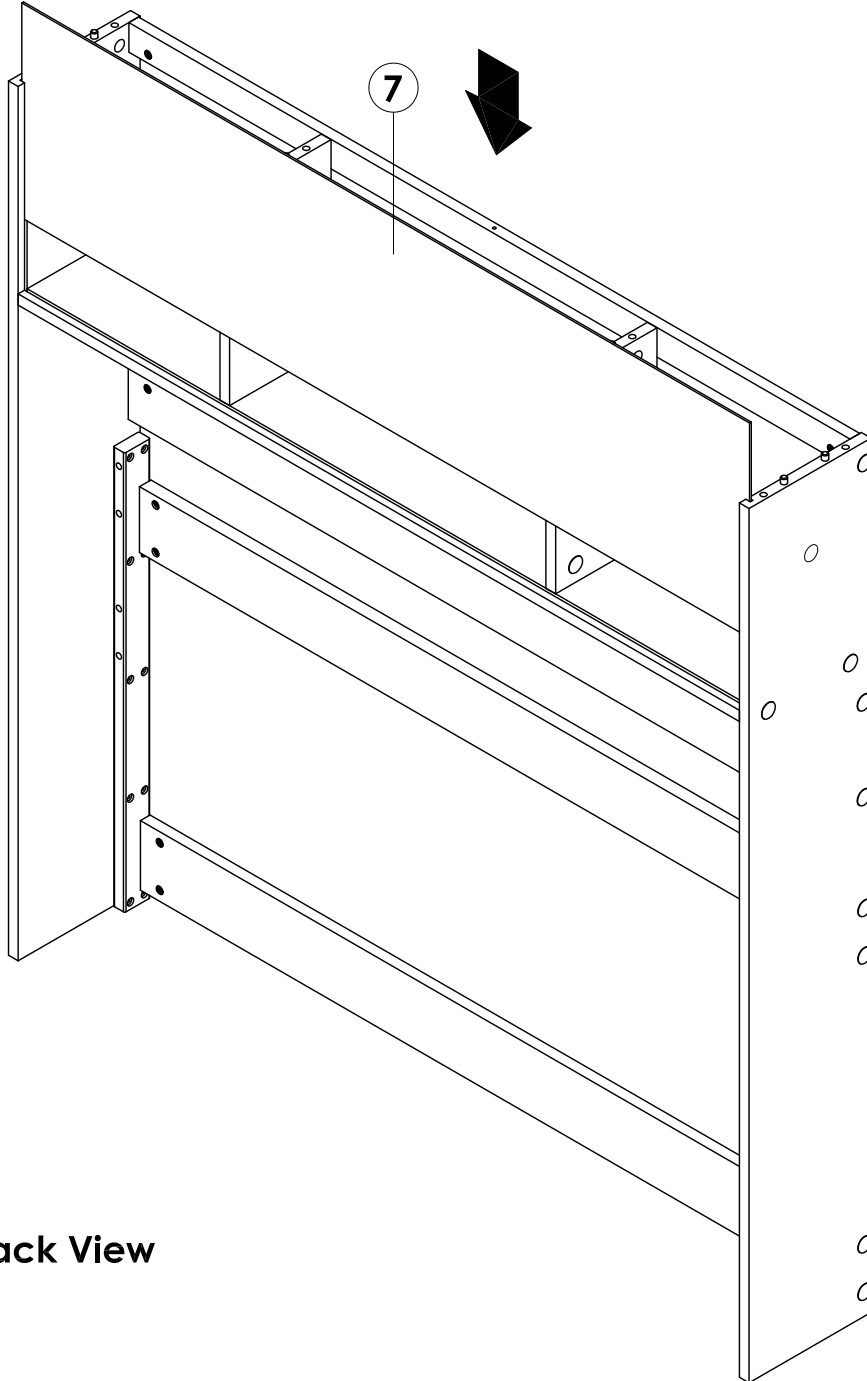
STEP 5

Attach and Secure **Bottom Shelf Headboard** onto **Front Panel Headboard** by using **(L)**, tighten it up by using Crosshead screw driver.



STEP 6

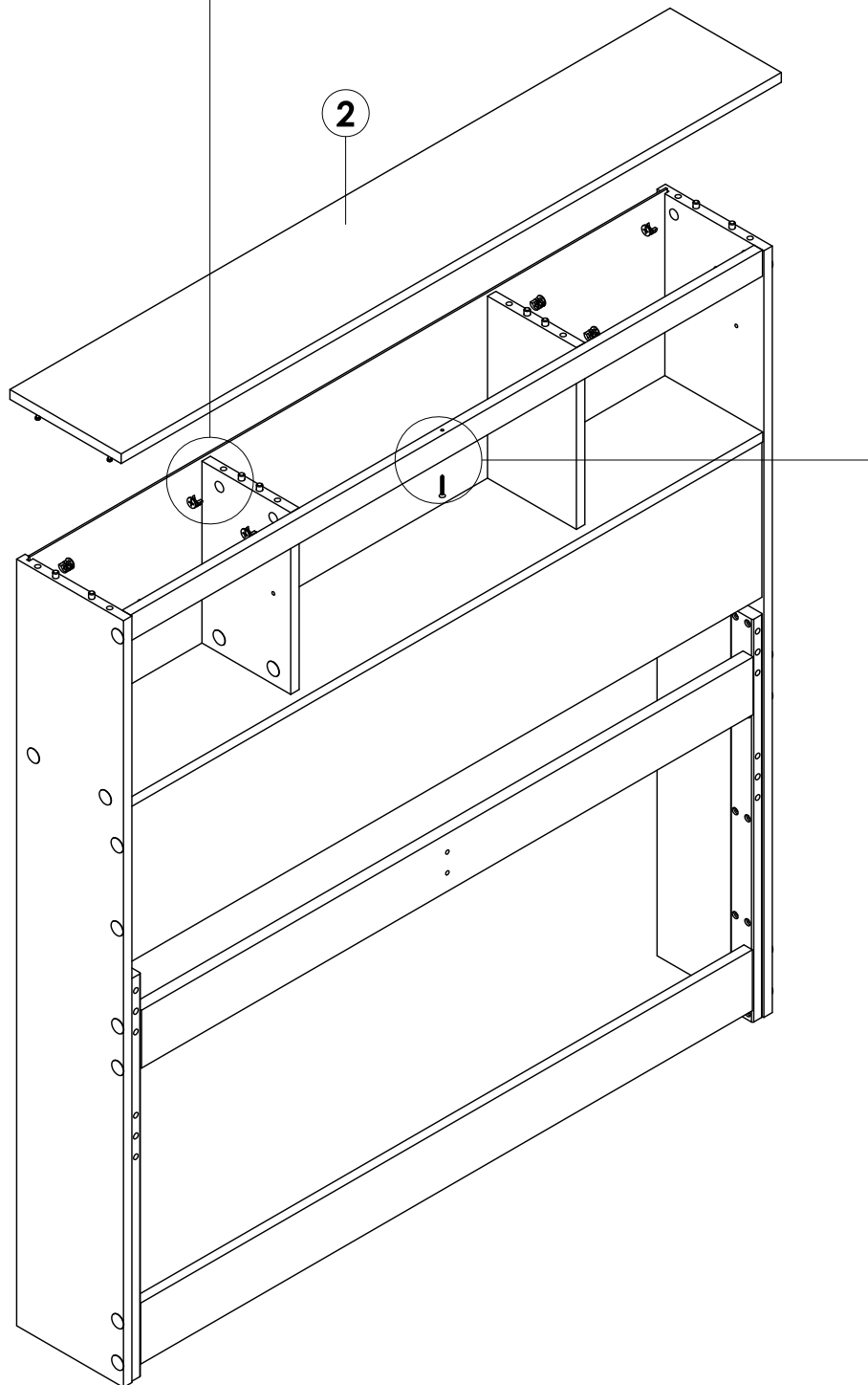
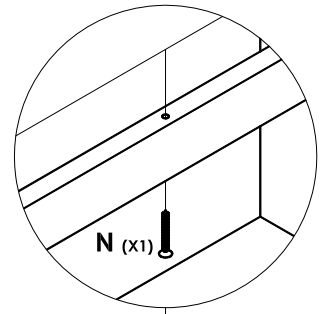
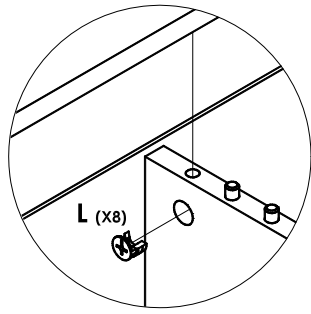
Attach and secure **Side Panel Headboard (Left)** and **Side Panel Headboard (Right)** onto **Top Rail Headboard**, **Bottom Panel Headboard**, **Front Panel Headboard** by using **(D)** and **(G)**, onto **Center Rail Headboard & Bottom Rail Headboard** by using **(F)** and **(G)**, tighten it up by using **(S)**. Follow it up by attaching **(R)** into screw holes.



Headboard Back View

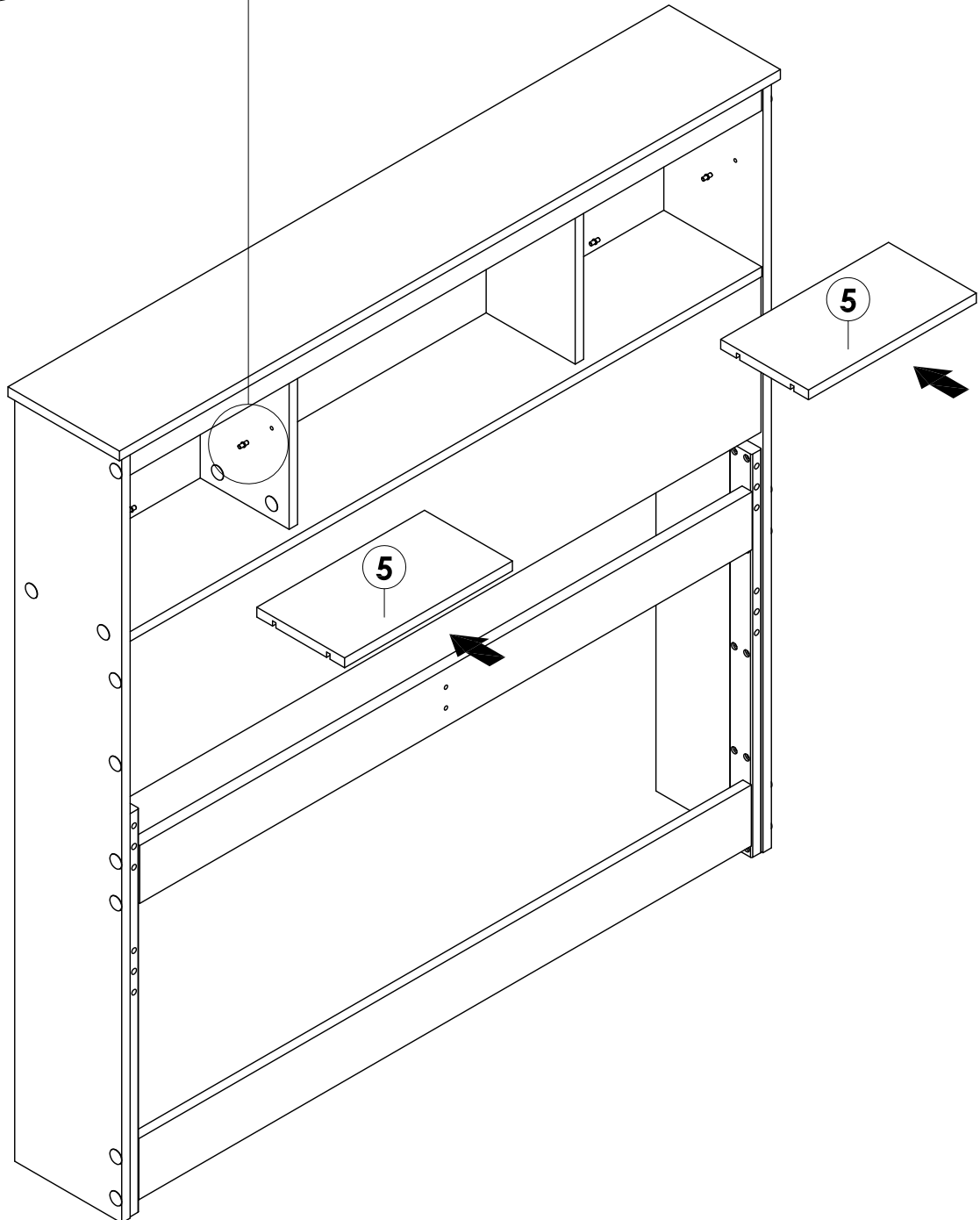
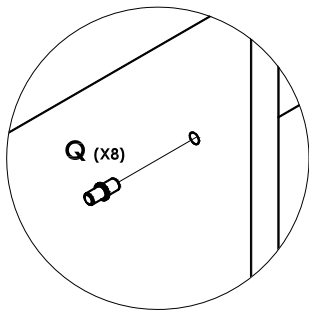
STEP 7

Slot **Back Panel Headboard** into **Side Panel Headboard (Left)** and **Side Panel Headboard (Right)** .



STEP 8

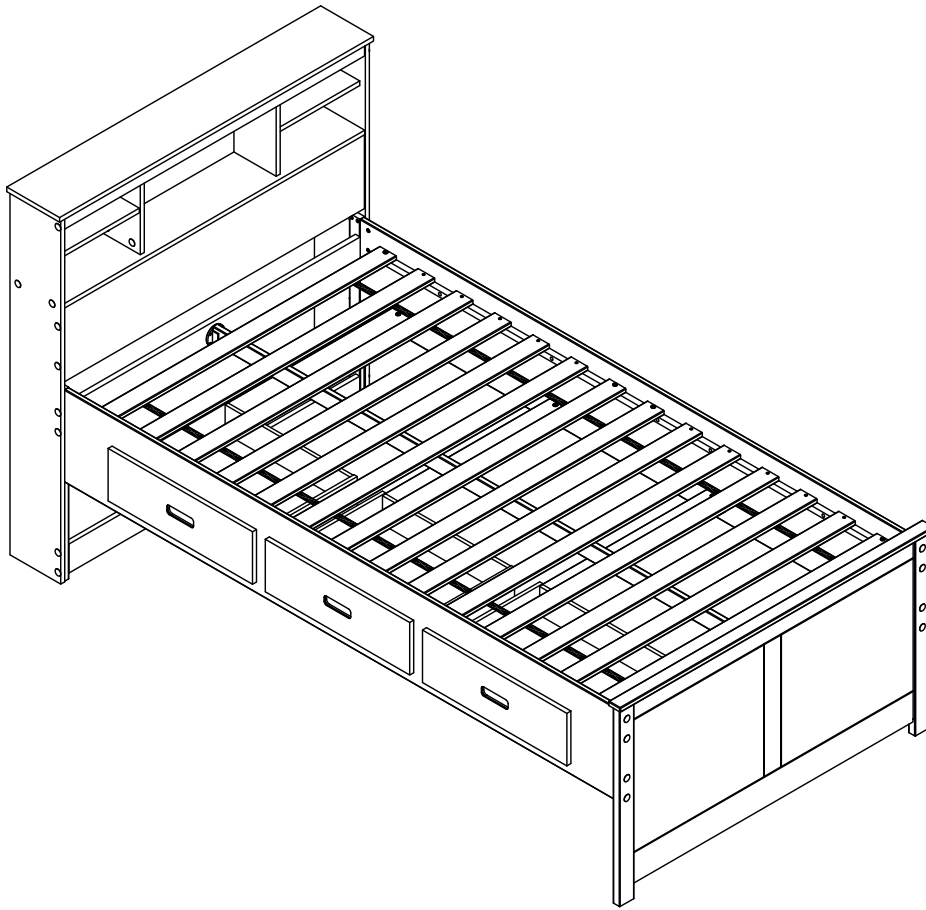
Attach and Secure **Top Panel Headboard** onto **Side Panel Headboard (Left)** and **Side Panel Headboard (Right)** by using **(L)** and **(N)**, tighten it up by using a Crosshead Screw Driver.



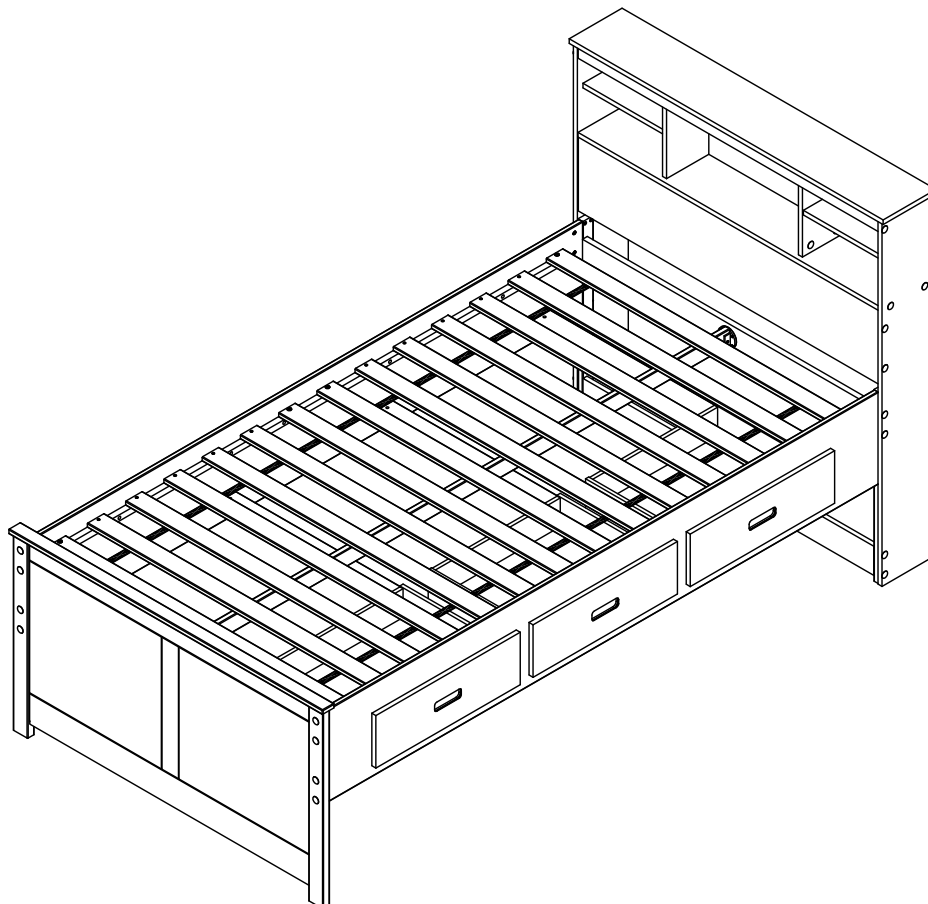
STEP 9

Insert **(Q)** into $\text{Ø}5\text{MM}$ holes on **Side Panel Headboard (Left)**,
Side Panel Headboard (Right) and **Divider Headboard**.
Place **Top Shelf Headboard** as shown above.

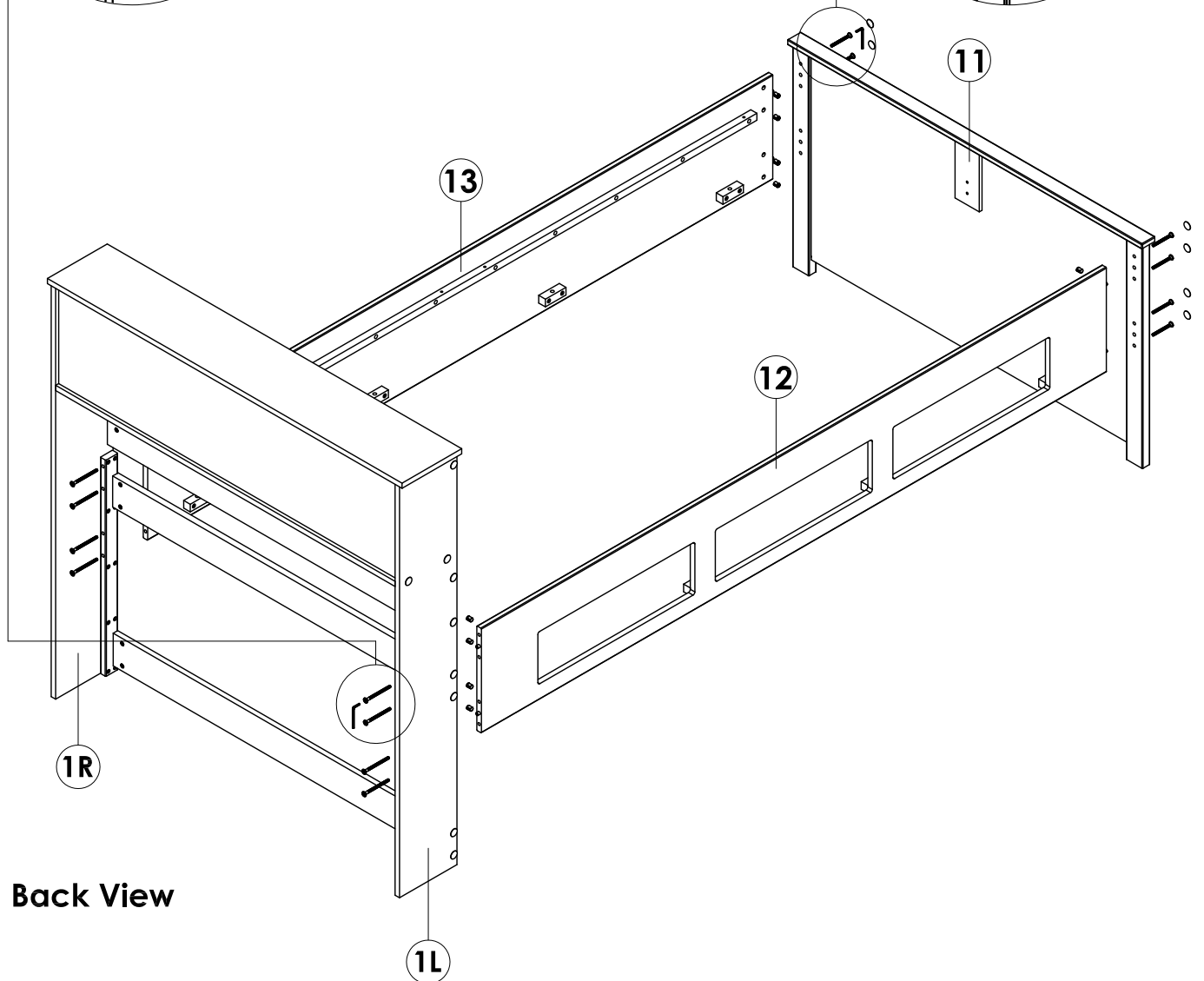
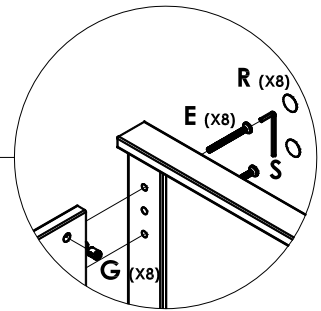
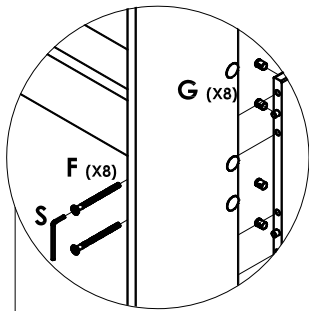
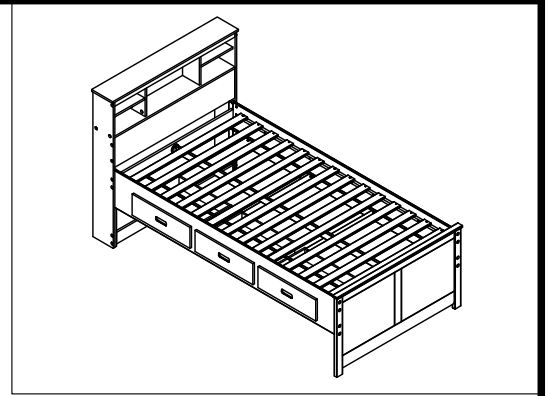
OPTION 1 (PAGE 13-18)



OPTION 2 (PAGE 19-24)



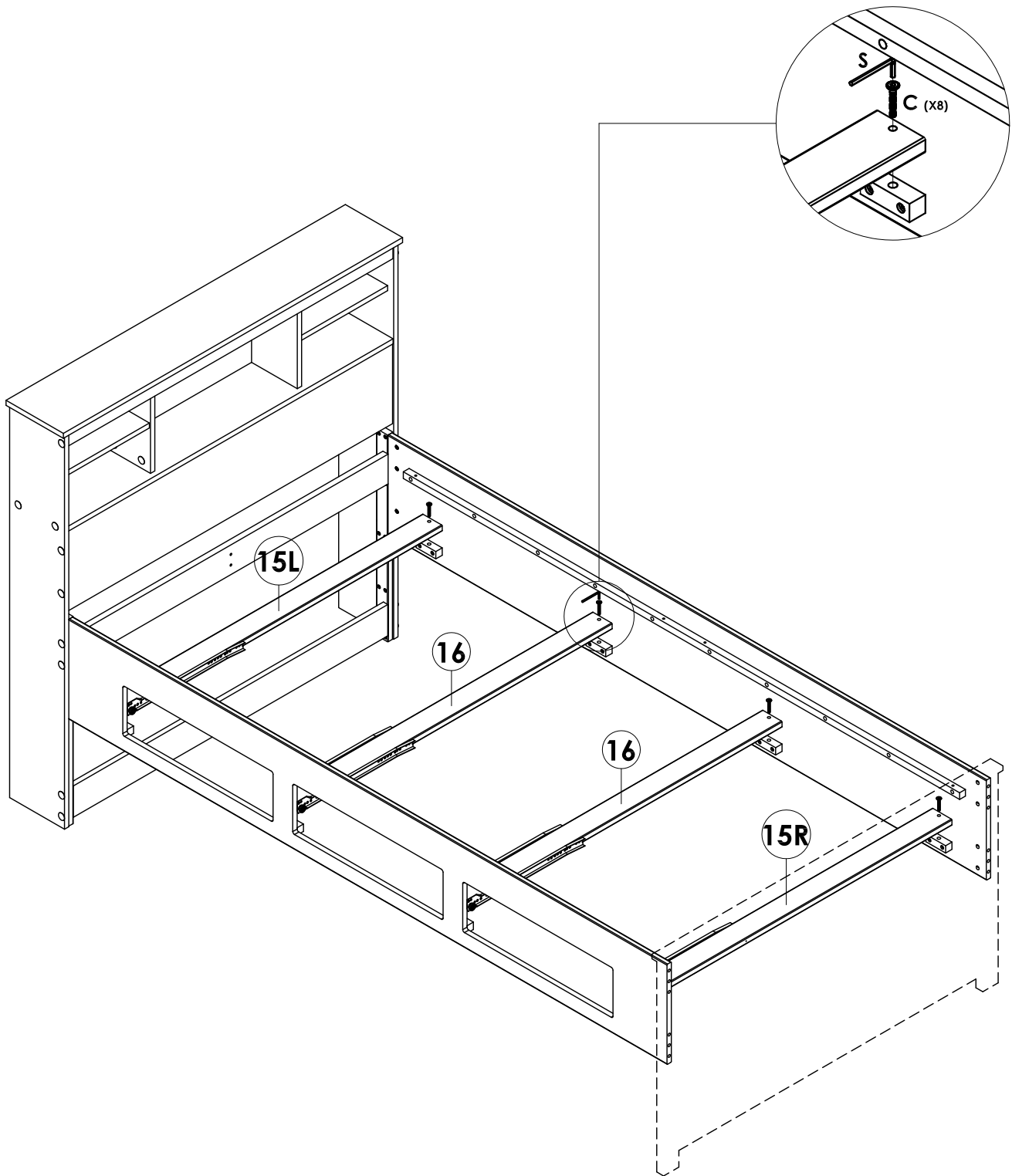
OPTION 1



Back View

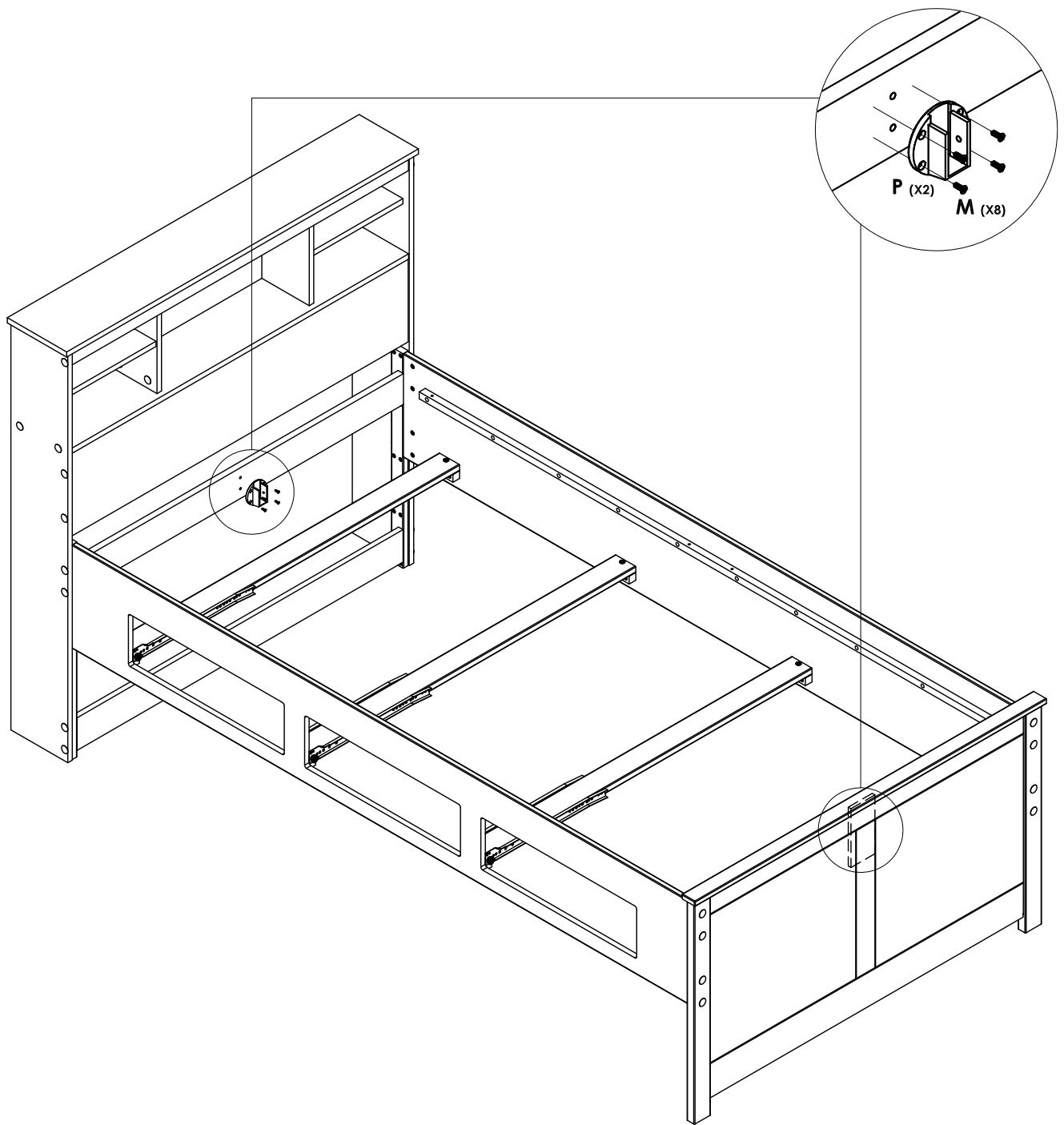
STEP 10

Attach and Secure **Side Rail (Front)** and **Side Rail (Rear)** onto **Headboard** by using **(F)** and **(G)**, onto **Footboard** by using **(E)** and **(G)** tighten it up by using **(S)**. Follow it up by attaching **(R)** into screw holes.



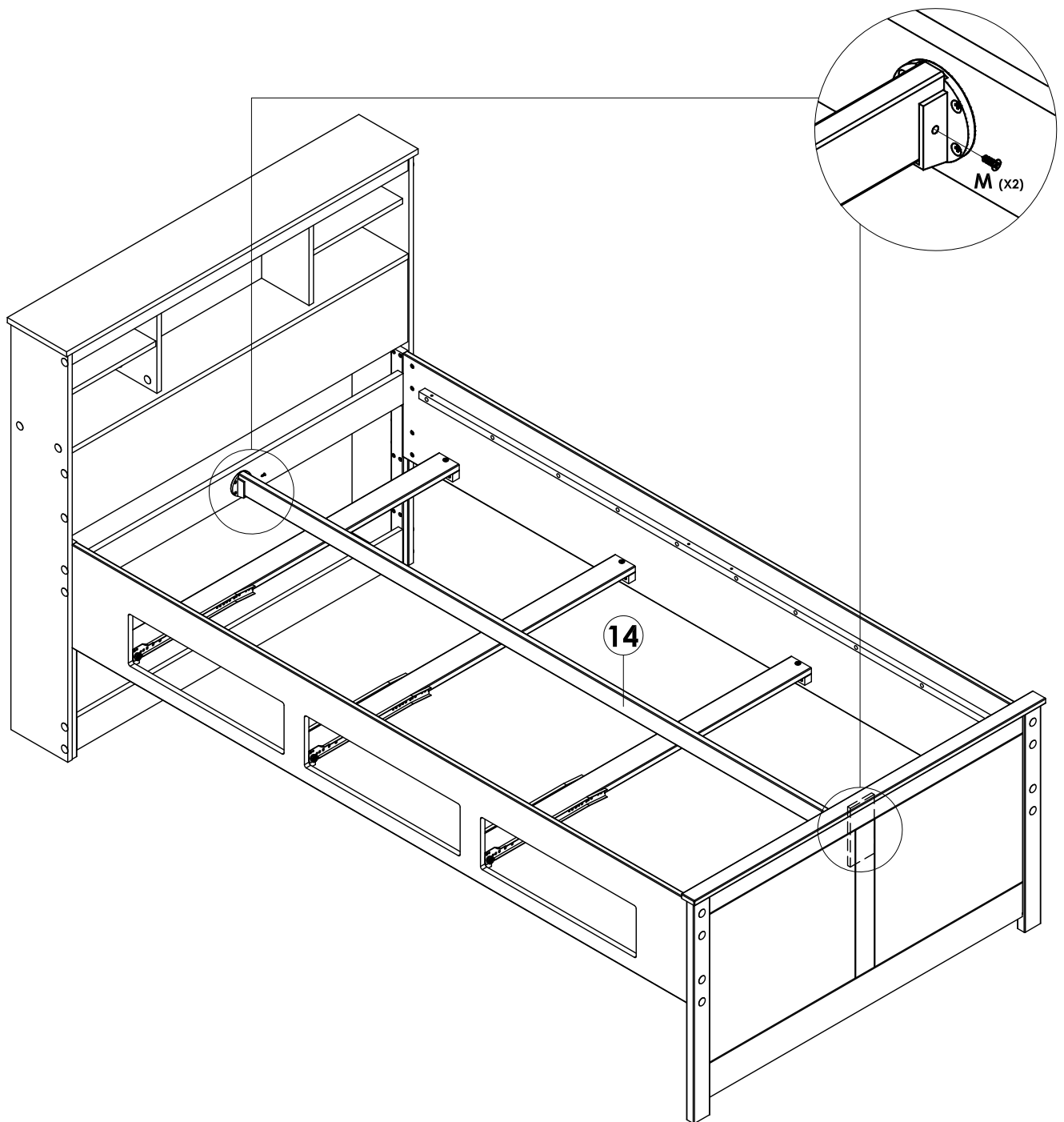
STEP 11

Attach and Secure **Drawer Support (Left)**, **Drawer Support (Right)** and **Drawer Support (center)** onto **Side Rail (Front)** and **Side Rail (Rear)** by using **(C)**, tighten it up by using **(S)**.



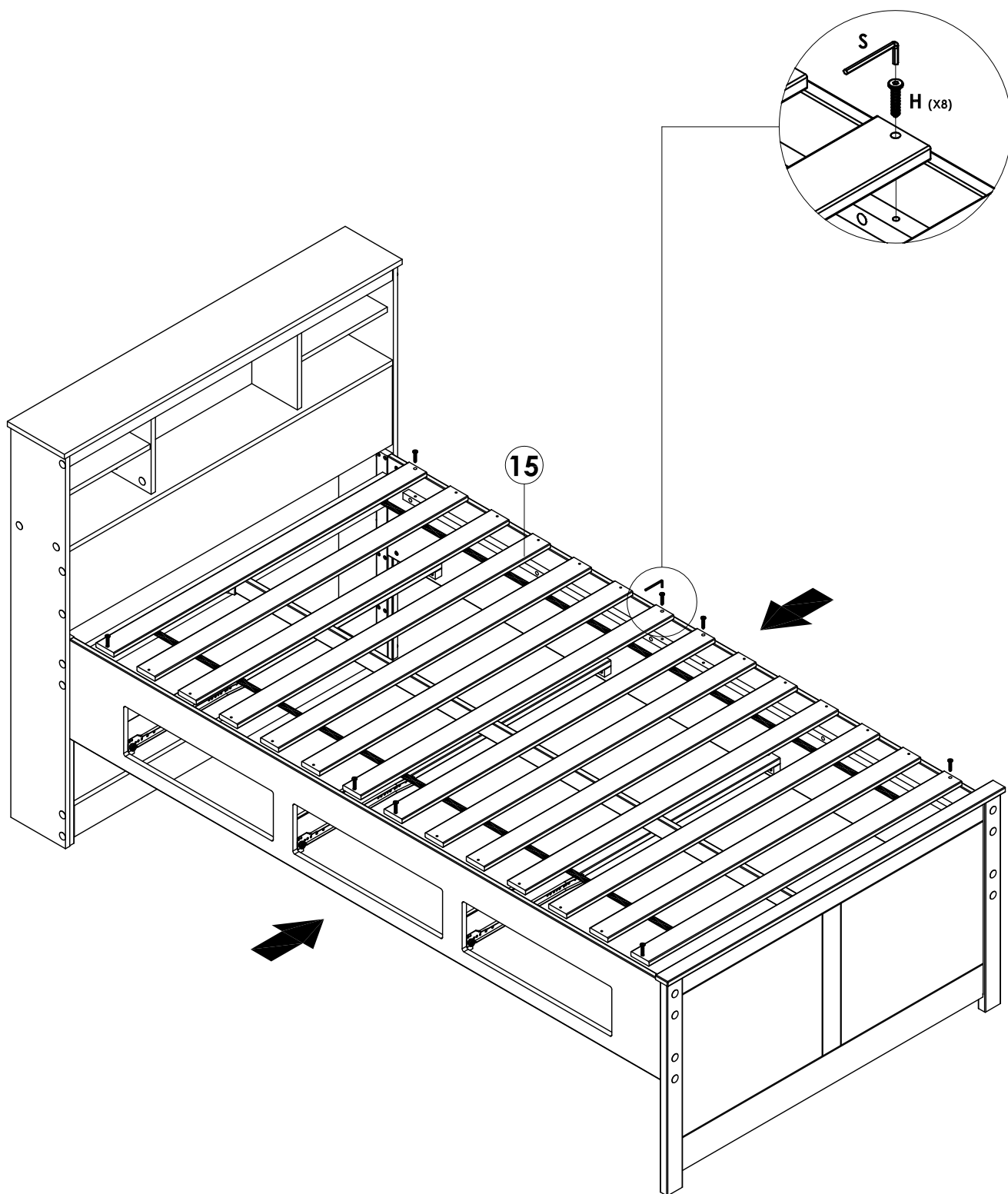
STEP 12

Attach and secure **(P)** onto **Upper Rail Headboard** and **Footboard** by using **(M)**, tighten it up by using a Crosshead Screw Driver.



STEP 13

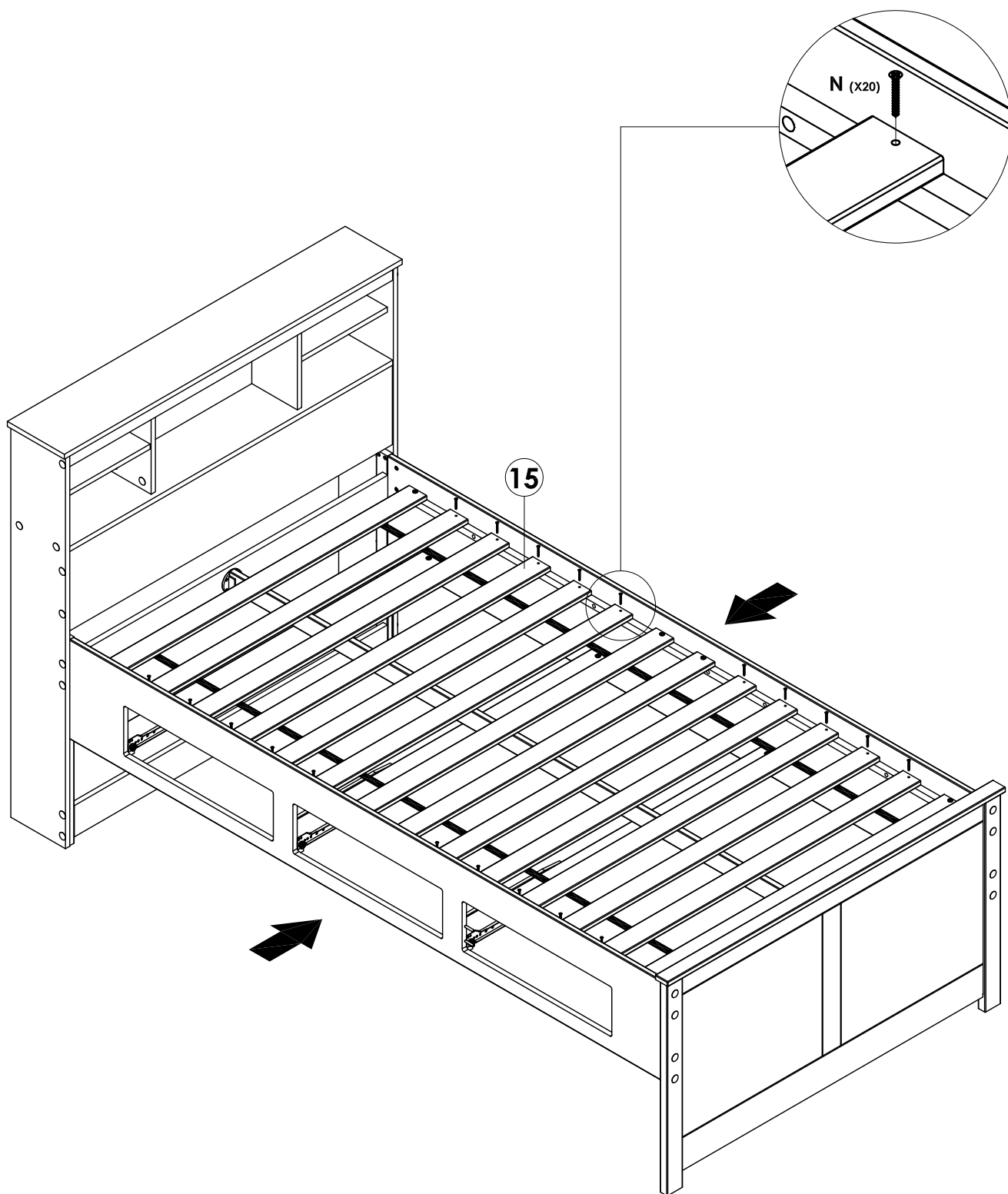
Attach and secure **Center Support** onto **(P)** by using **(M)**,
tighten it up by using a Crosshead Screw Driver.



STEP 14

Attach and secure **Wooden Slat** onto bed **Slat Support** by using **(H)**, tighten it up by using **(S)**.

Align both **Side Rail (Front) and **Side Rail (Rear)** before tightening the screws.*

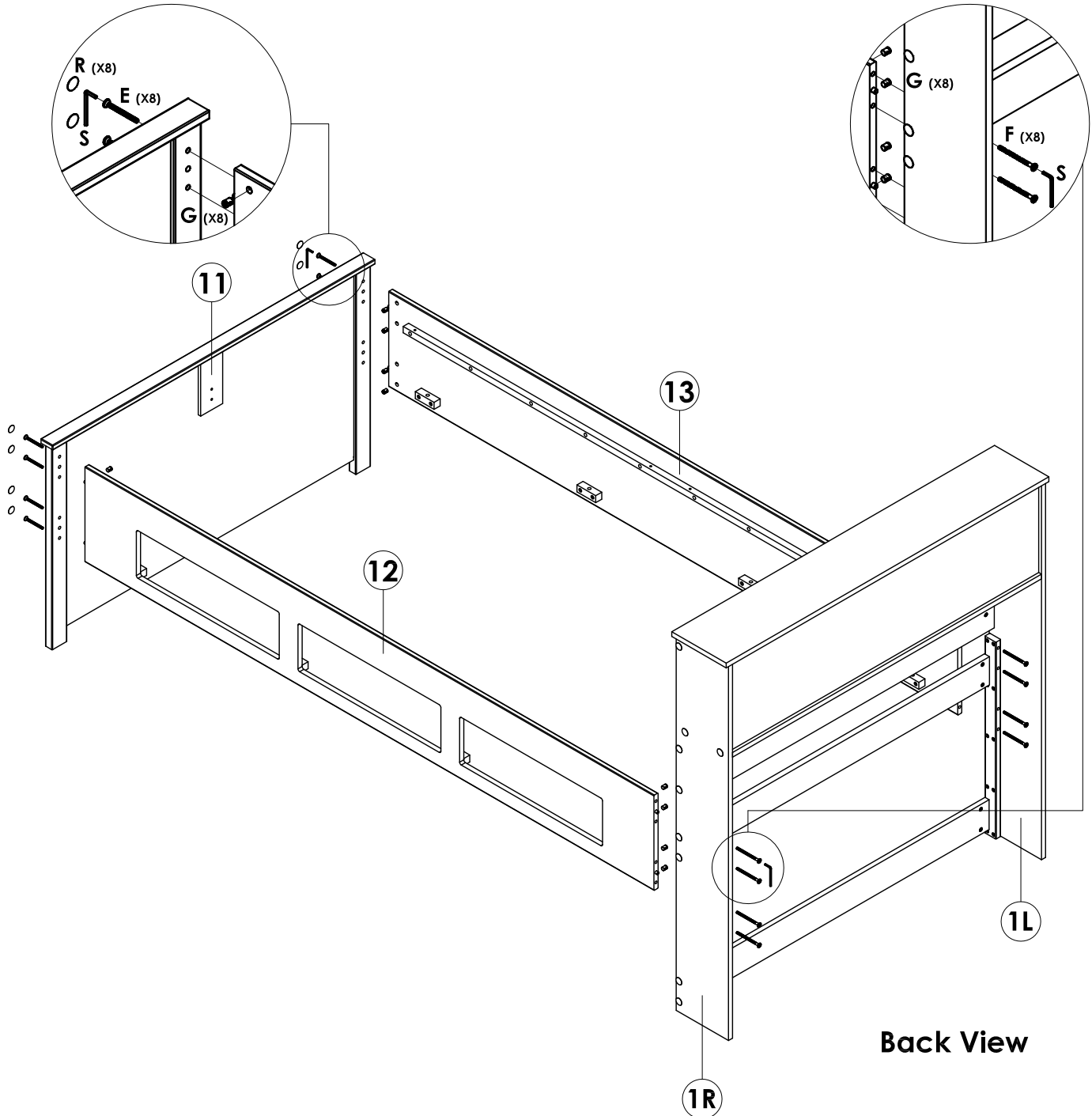
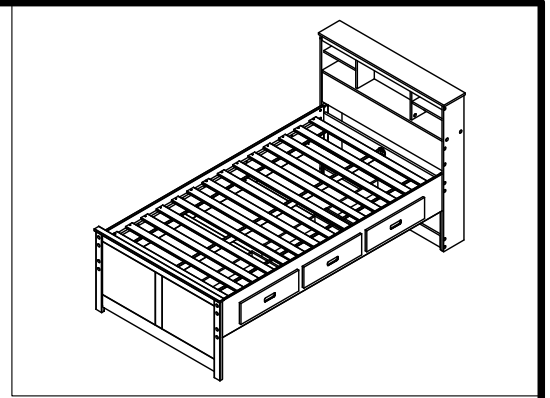


STEP 15

Attach and secure **Wooden Slat** onto bed **Slat Support** by using **(N)**, tighten it up by using a Crosshead Screw Driver

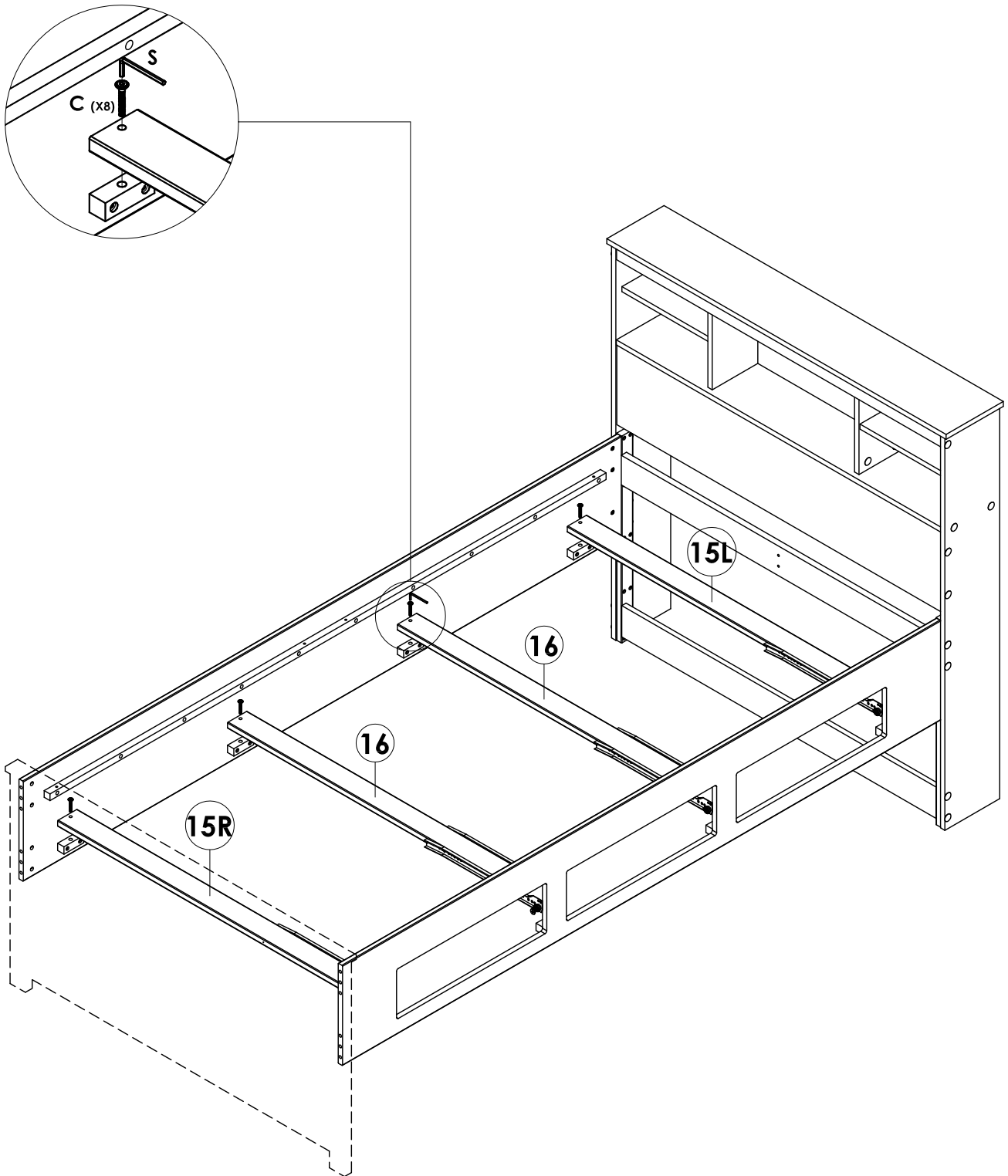
Align both **Side Rail (Front) and **Side Rail (Rear)** before tightening the screws.*

OPTION 2



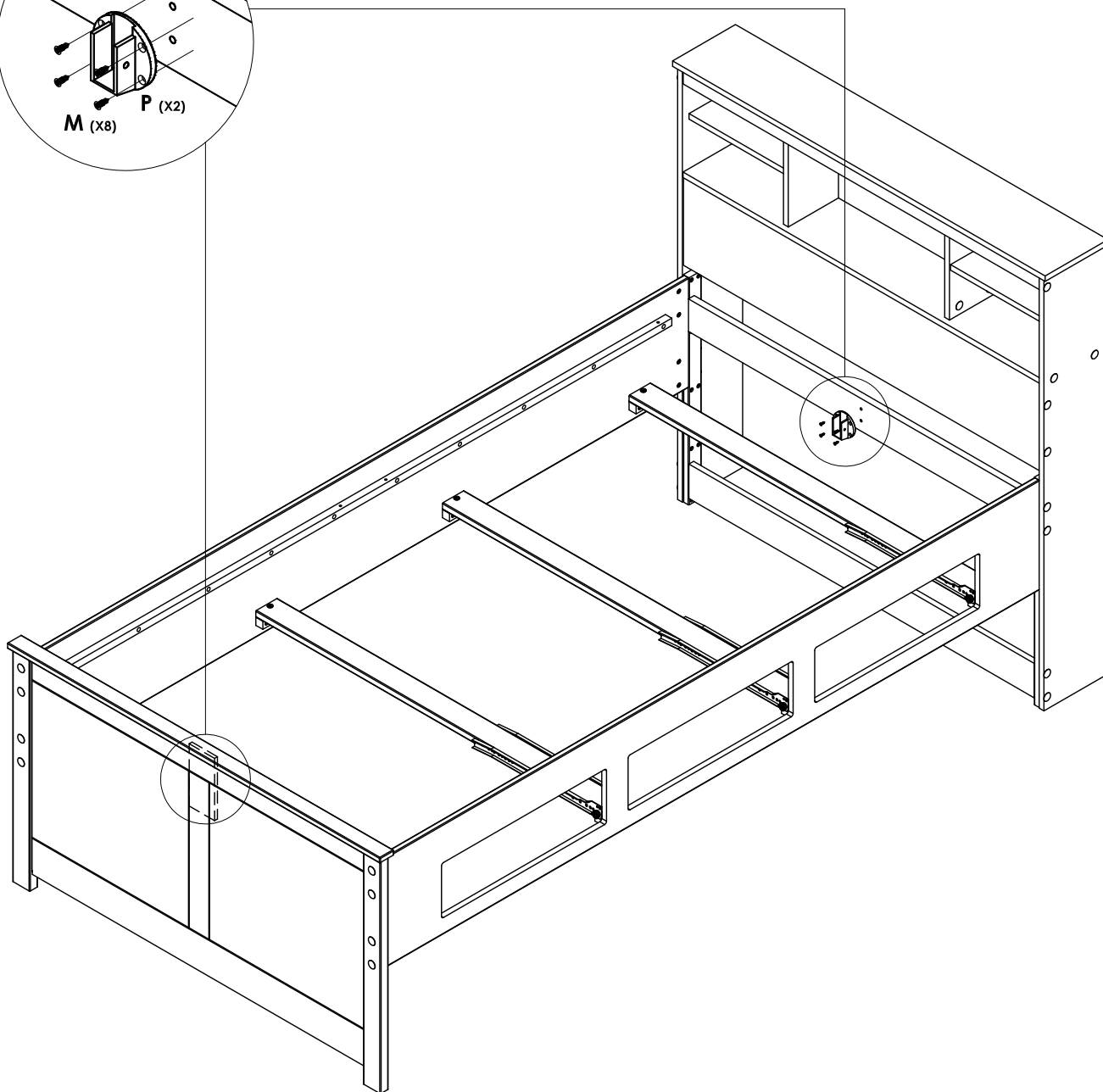
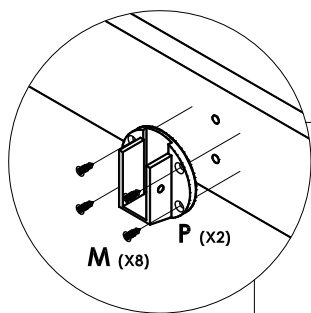
STEP 10

Attach and Secure **Side Rail (Front)** and **Side Rail (Rear)** onto **Headboard** by using **(F)** and **(G)**, onto **Footboard** by using **(E)** and **(G)** tighten it up by using **(S)**. Follow it up by attaching **(R)** into screw holes.



STEP 11

Attach and Secure **Drawer Support (Left)**, **Drawer Support (Right)** and **Drawer Support (center)** onto **Side Rail (Front)** and **Side Rail (Rear)** by using **(C)**, tighten it up by using **(S)**.



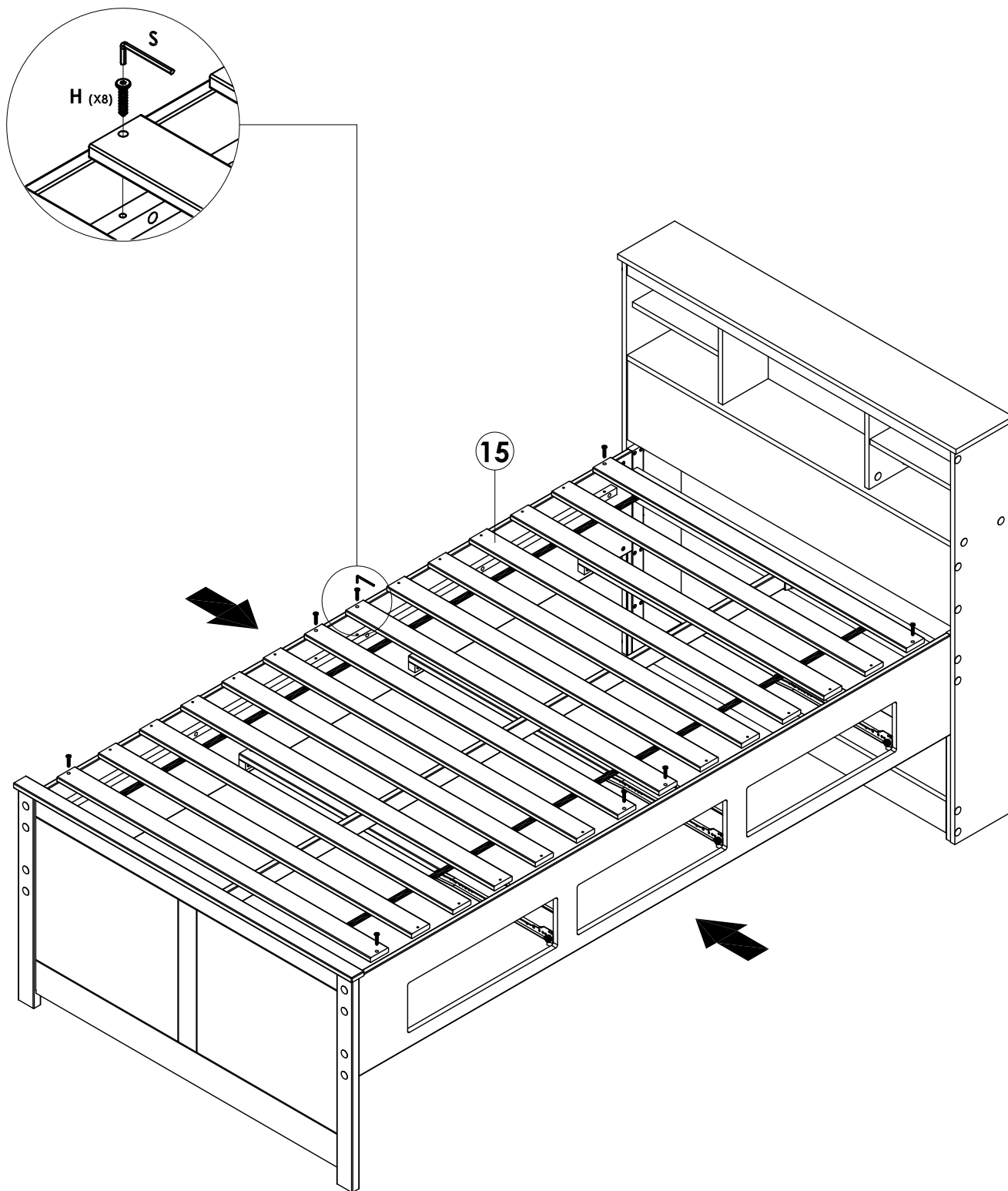
STEP 12

Attach and secure **(P)** onto **Upper Rail Headboard** and **Footboard** by using **(M)**, tighten it up by using a Crosshead Screw Driver.



STEP 13

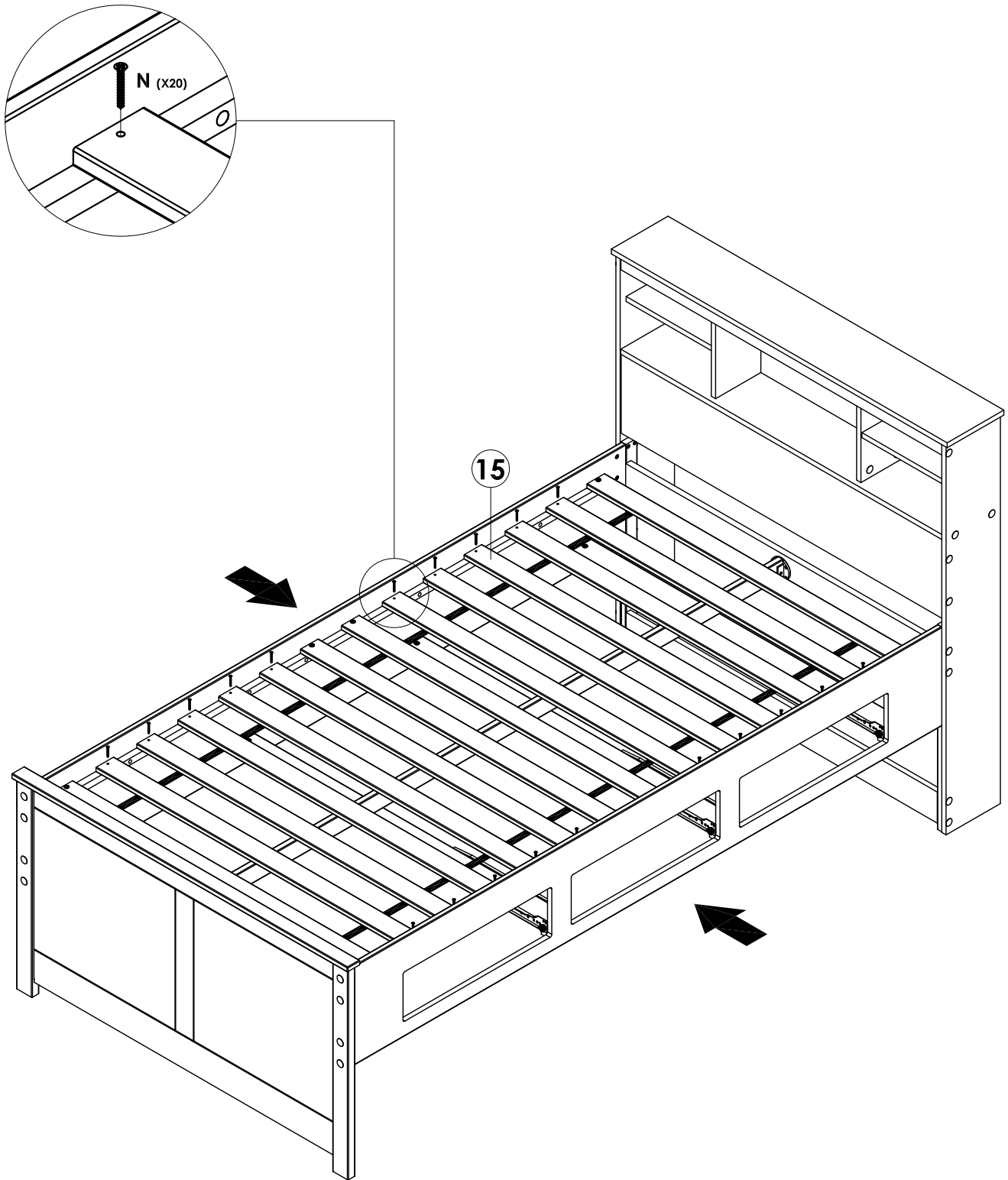
Attach and secure **Center Support** onto **(P)** by using **(M)**,
tighten it up by using a Crosshead Screw Driver.



STEP 14

Attach and secure **Wooden Slat** onto bed **Slat Support** by using **(H)**, tighten it up by using **(S)**.

Align both **Side Rail (Front) and **Side Rail (Rear)** before tightening the screws.*

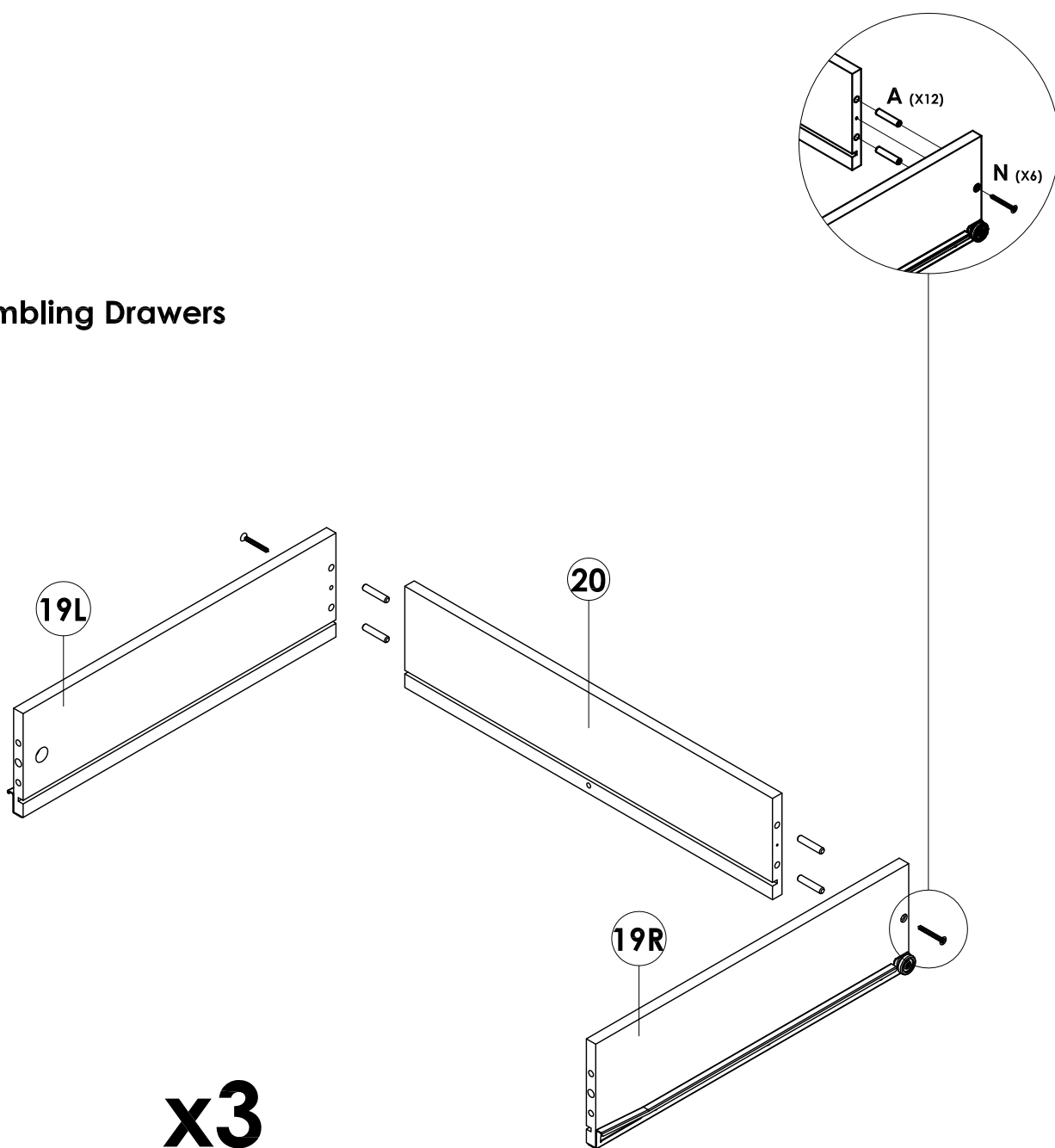


STEP 15

Attach and secure **Wooden Slat** onto bed **Slat Support** by using **(N)**, tighten it up by using a Crosshead Screw Driver.

Align both **Side Rail (Front) and **Side Rail (Rear)** before tightening the screws.*

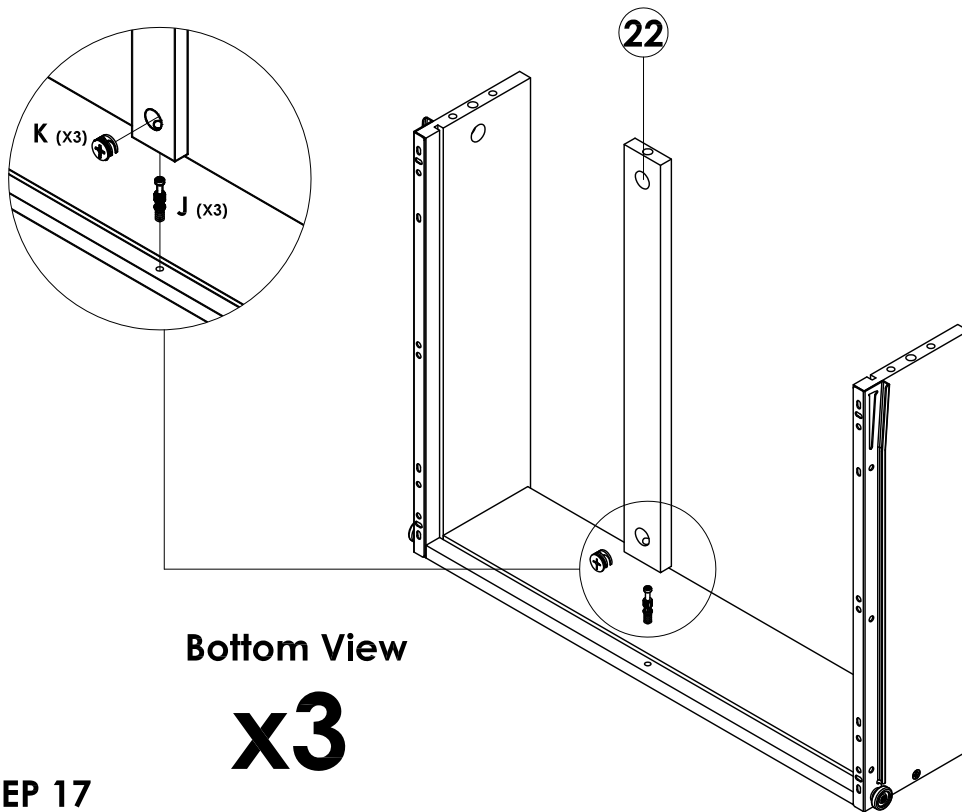
Assembling Drawers



x3

STEP 16

Attach and Secure **Drawer Side (Left)** and **Drawer Side (Right)** onto **Drawer Rear** by using **(A)** and **(N)**, tighten it up by using a Crosshead Screw Driver.

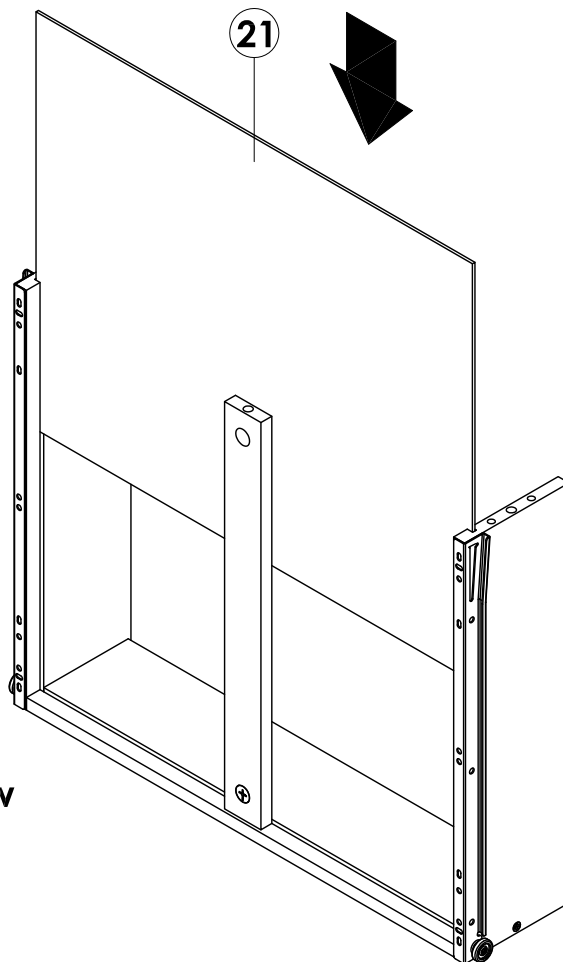


Bottom View

x3

STEP 17

Attach and Secure **Drawer Base Support** onto **Drawer Rear** by using **(J)** and **(K)**, tighten it up by using a Crosshead Screw Driver.



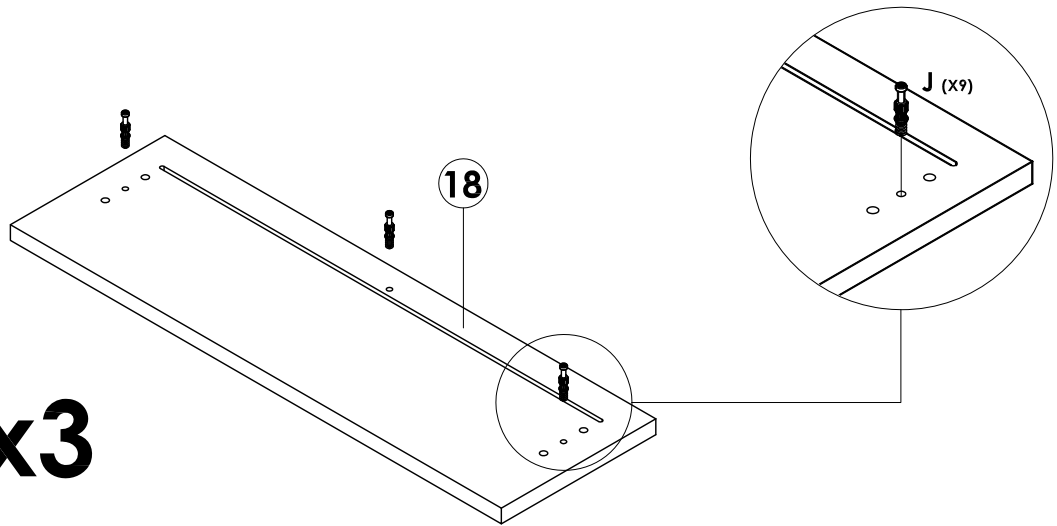
Bottom View

x3

STEP 18

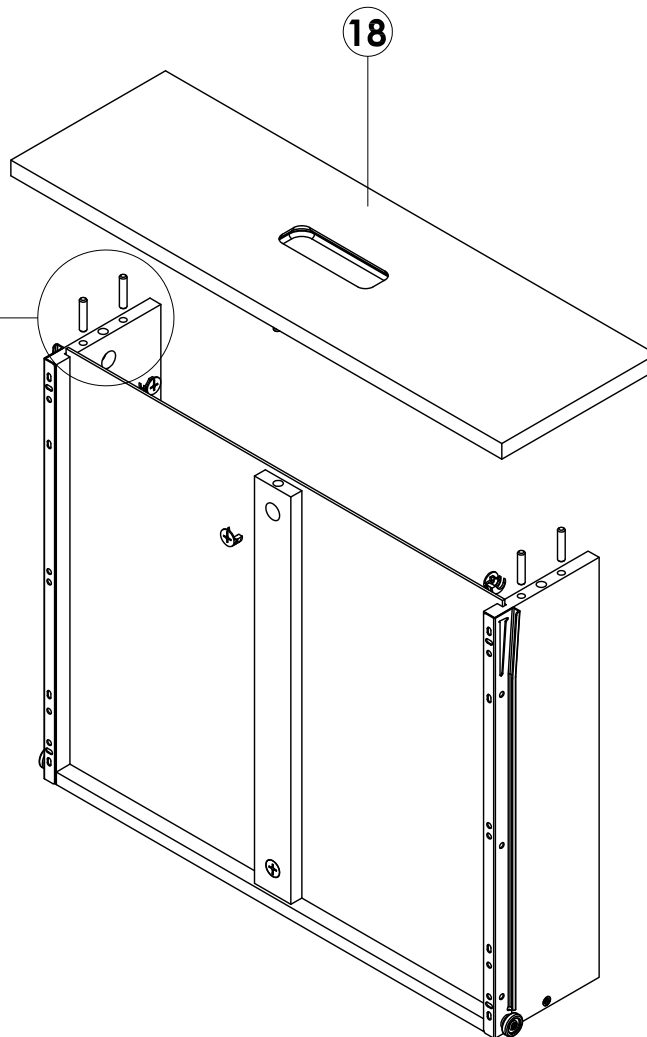
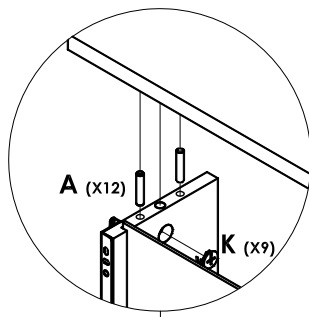
Slot **Drawer Base** into **Drawer Side (Left)** and **Drawer Side (Right)**.

x3



STEP 19

Insert **(J)** into $\varnothing 5\text{MM}$ holes on **Drawer Face** by using crosshead screw driver.



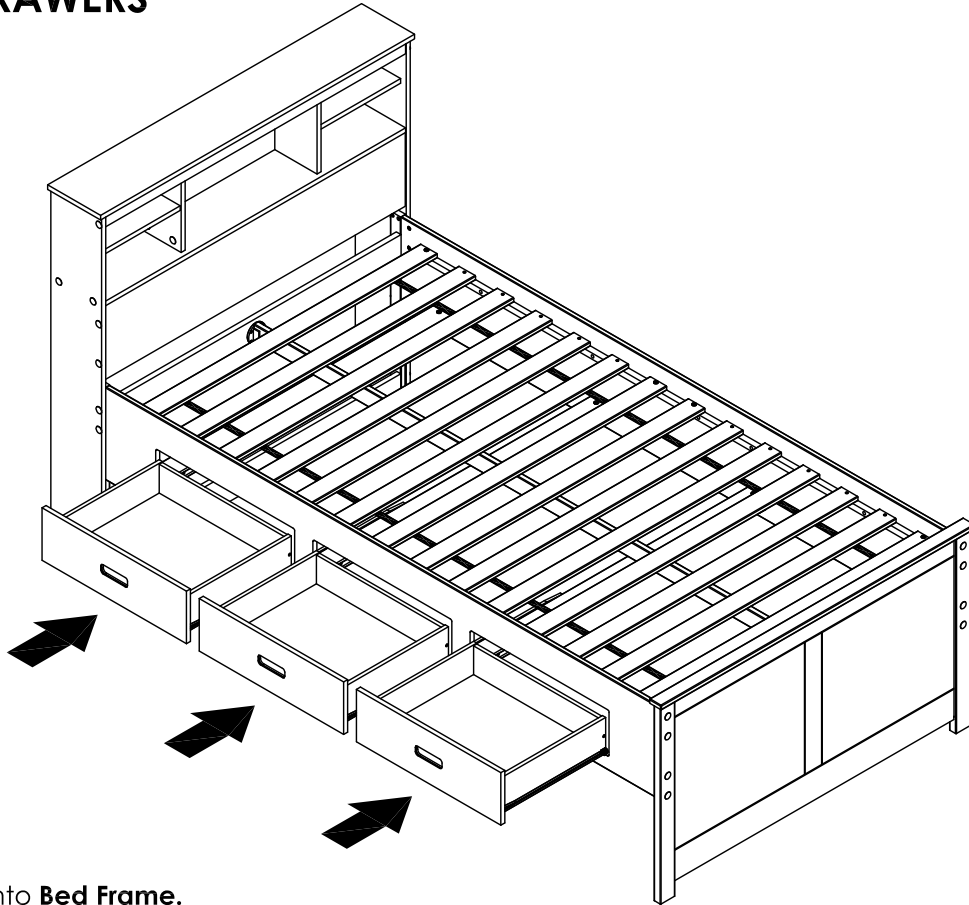
Bottom View

x3

STEP 20

Attach and Secure **Drawer Face** onto **Drawer Side (Left)** and **Drawer Side (Right)** by using **(A)** and **(K)**, tighten it up by using crosshead screw driver.

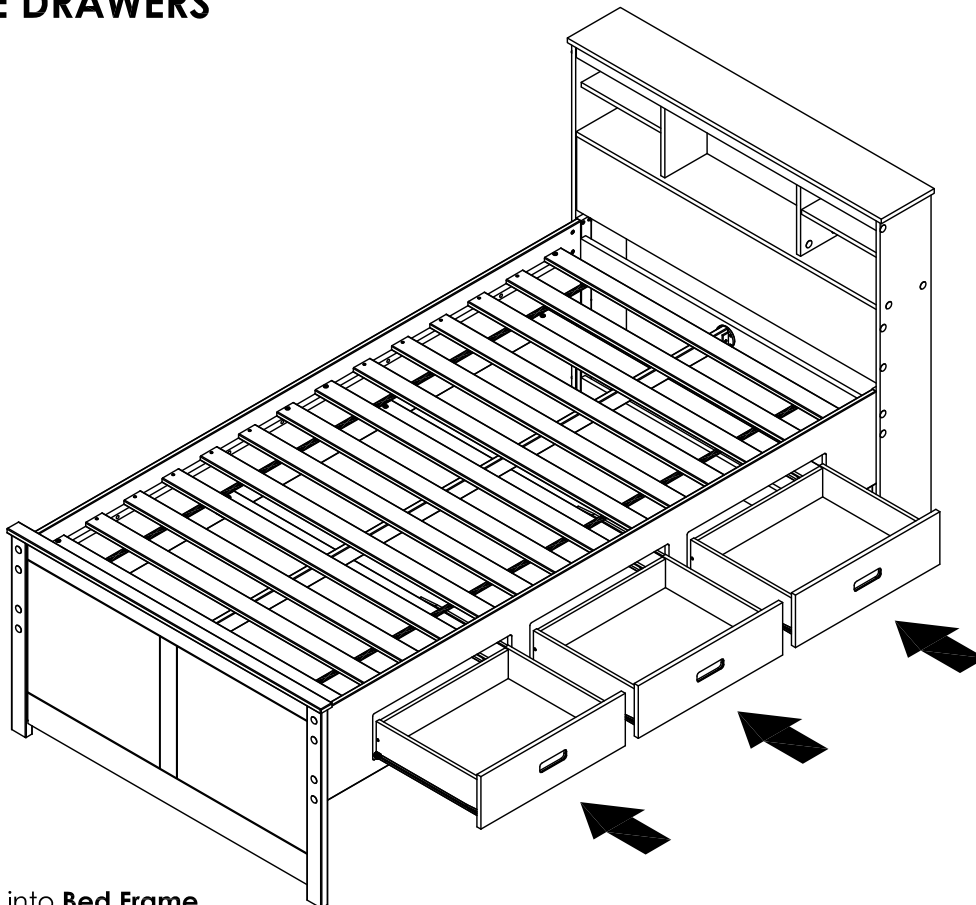
**OPTION 1 :
LEFT SIDE DRAWERS**



STEP 21

Insert **Drawer** into **Bed Frame**.

**OPTION 2 :
RIGHT SIDE DRAWERS**

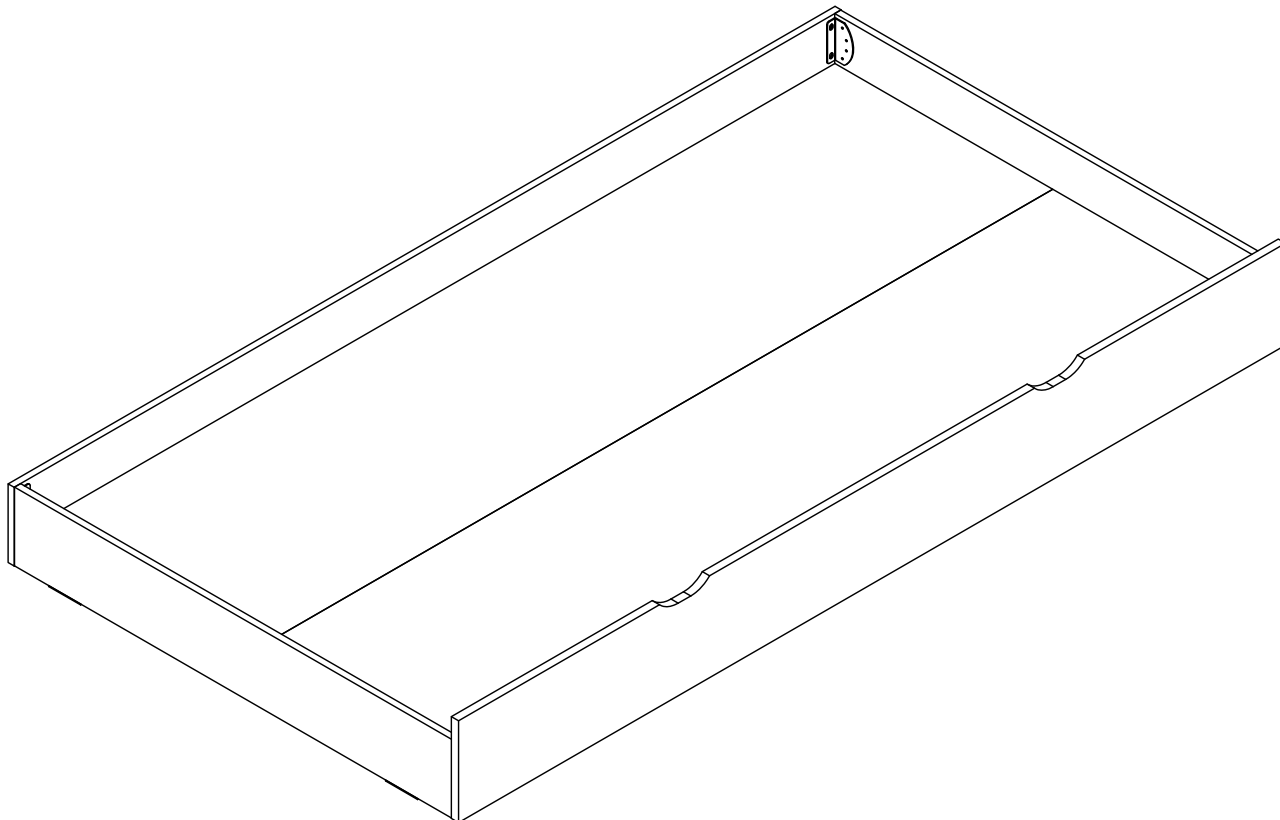


STEP 21

Insert **Drawer** into **Bed Frame**.

ASSEMBLY INSTRUCTION

MODEL: IQ202KSW KING SINGLE STORAGE BED (1090 x 2030)MM



This trundle bed can slide in and out vertically only, moving it horizontally may cause damage to the frame.

CARE & MAINTENANCE:

- Check all the components and fittings before start assembly.
- Assemble the item as close as possible to its final position (in the room of use).
- Assemble on a soft level surface to avoid damaging the unit or your floor.
- Assemble the parts will be easier with 2 persons.
- Periodically check all screws and fittings to ensure they are secure.
- The use of power drill is not recommended as this could damage the unit. Only use hand screwdrivers.
- DO NOT push the bed frame as this will damage the legs.
- Always lift the item with 2 persons to reposition.
- Keep any sharp objects away from the item.
- DO NOT drag objects across finished surfaces.
- Avoid placing your furniture in direct sunlight.
- Use clean, soft, dry, and lint-free cloth for the dusting process.

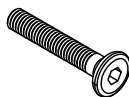
HARDWARE LIST (VP 398)

A 8 PCS



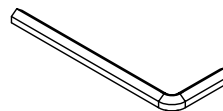
JCBB BOLT (M8 x 16MM)

B 8 PCS



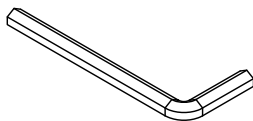
JCBC BOLT (M6 x 35MM)

C 1 PC



ALLEN KEY (M4 x 60MM)

D 1 PC



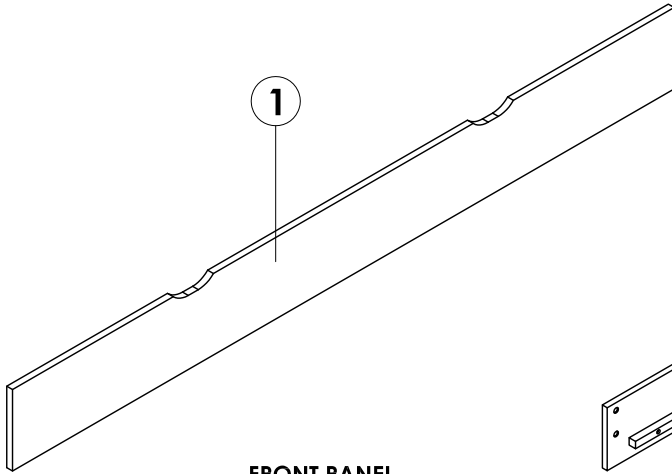
ALLEN KEY (M5 x 60MM)



Do not recommend the use of power drills/drivers for inserting bolts/screws as this could damage the unit.

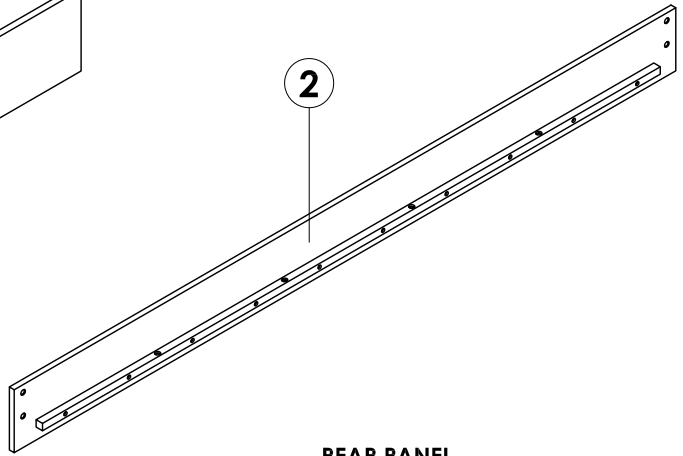
Tools Required :
Crosshead Screw Driver

PART LIST



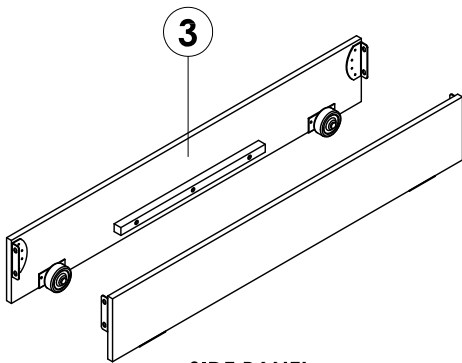
1

FRONT PANEL
(1 PC / SET)
CARTON 1 OF 1



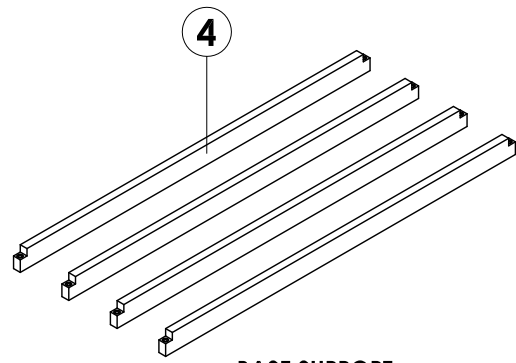
2

REAR PANEL
(1 PC / SET)
CARTON 1 OF 1



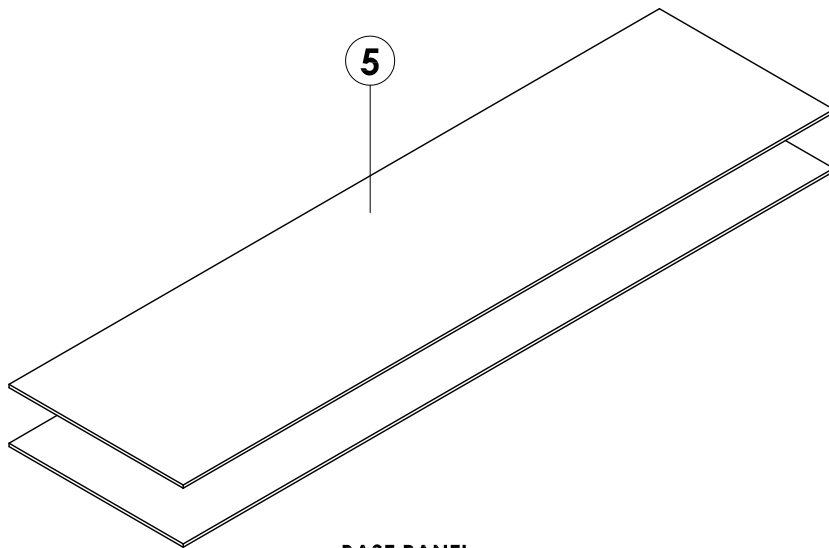
3

SIDE PANEL
(2 PCS / SET)
CARTON 1 OF 1



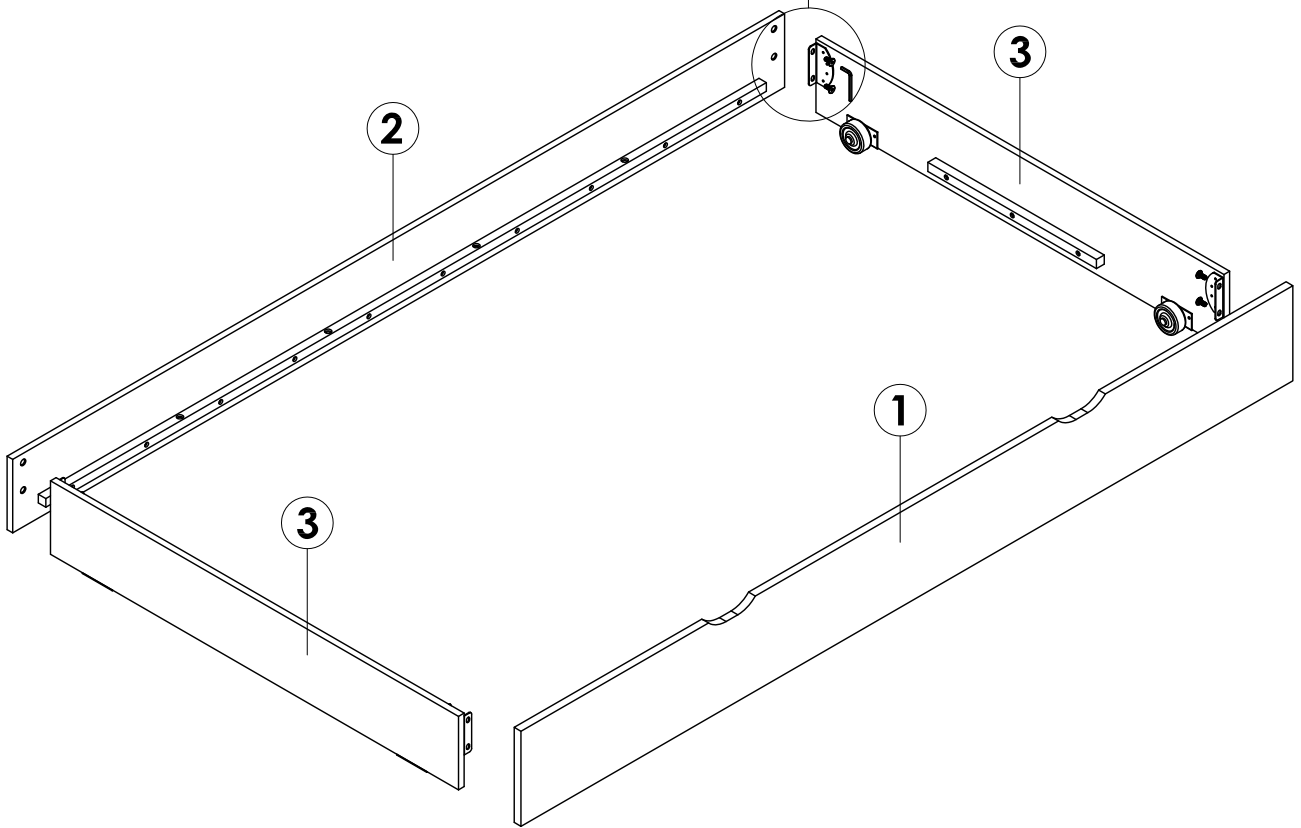
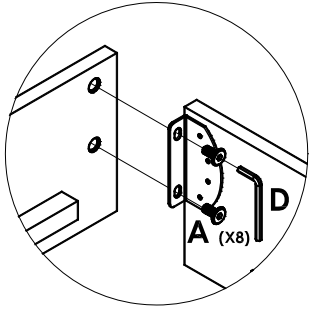
4

BASE SUPPORT
(4 PCS / SET)
CARTON 1 OF 1



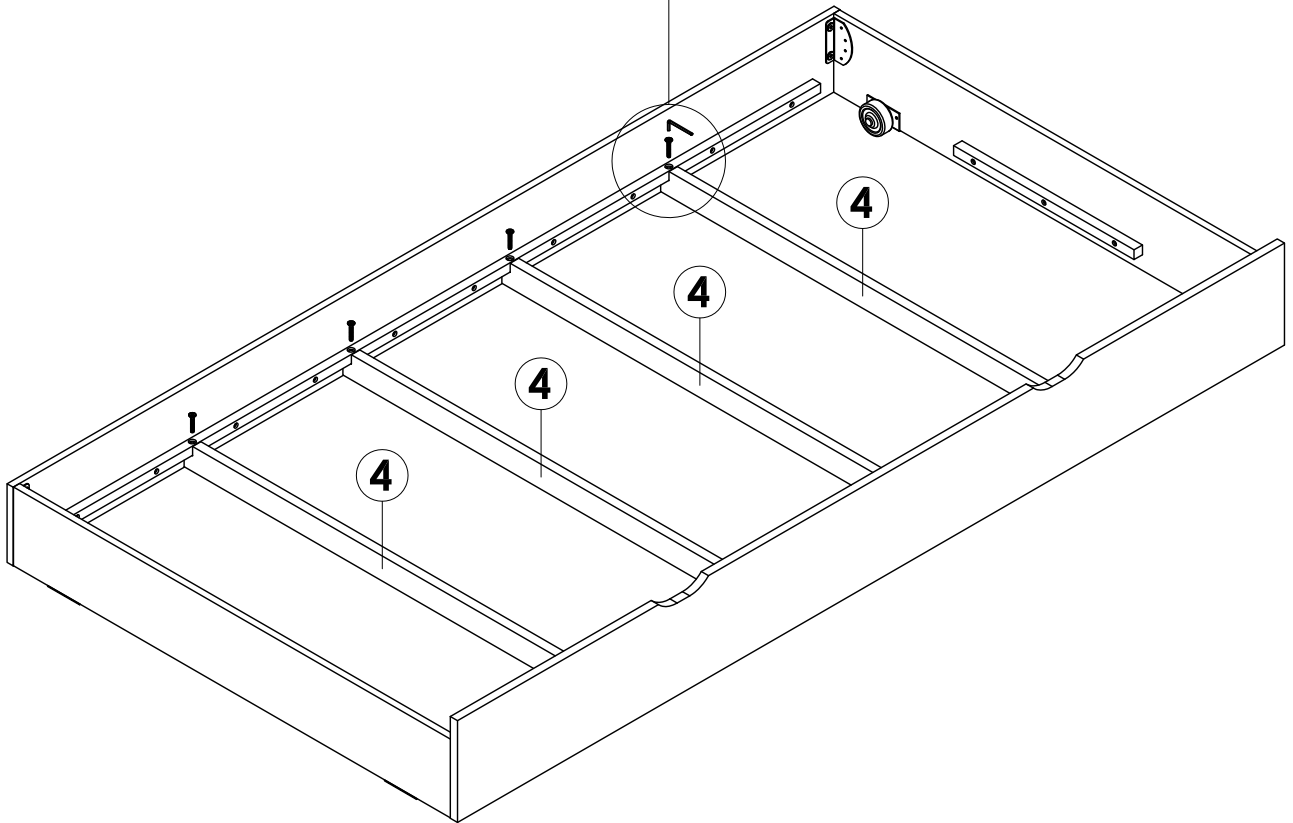
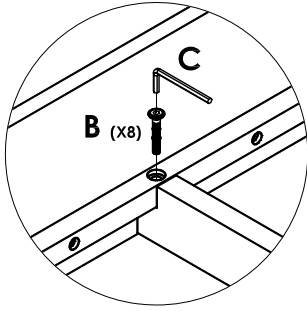
5

BASE PANEL
(2 PCS / SET)
CARTON 1 OF 1



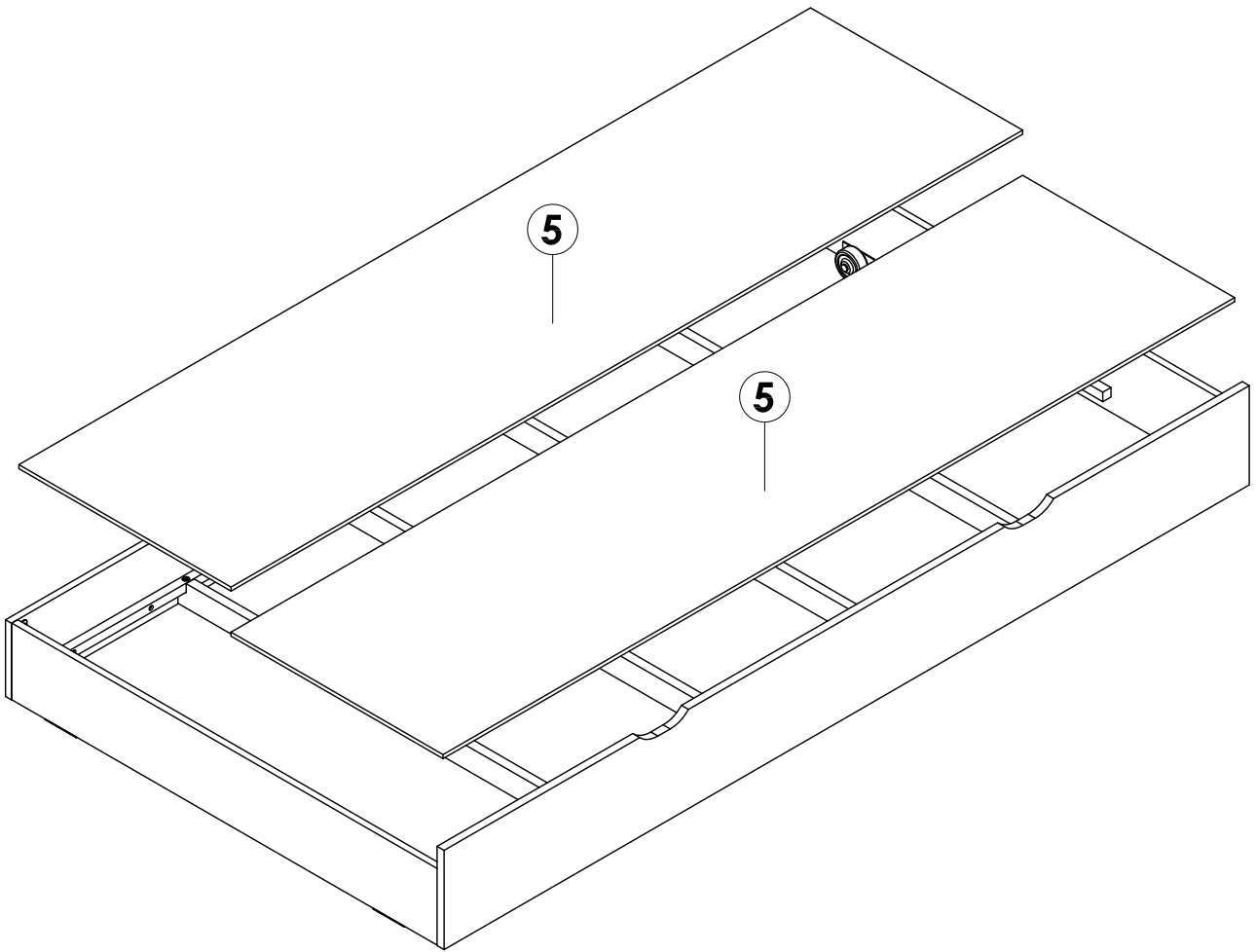
STEP 1

Attach and secure **Side Panel** onto **Front Panel & Rear Panel** by using **(A)**, tighten it up by using **(D)**.



STEP 2

Place **Base Support** accurately beneath all $\varnothing 14\text{MM}$ holes. Insert **(B)** into all $\varnothing 14\text{MM}$ holes on **Front Panel & Rear Panel**, tighten it up by using **(C)**.



STEP 3

Attach both **Base Panel** onto Support Rail.

