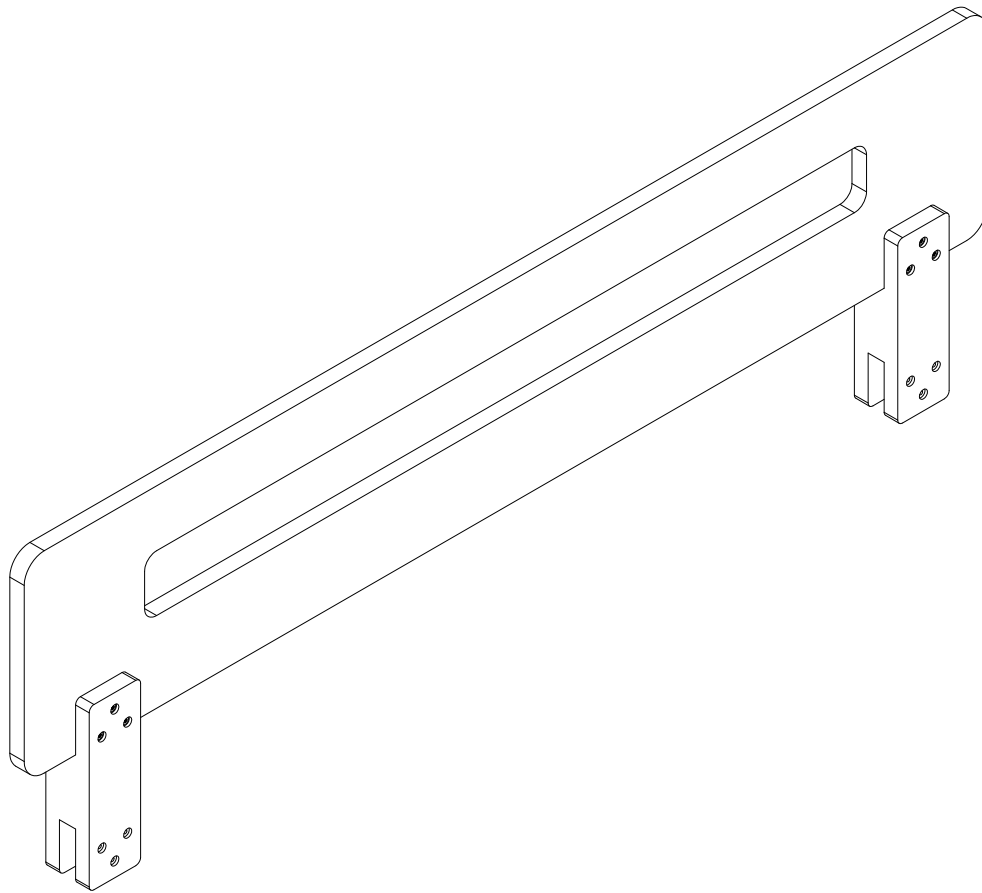


# ASSEMBLY INSTRUCTION

MODEL : WS2112W GUARD RAIL



## HARDWARE LIST

A

12 PCS



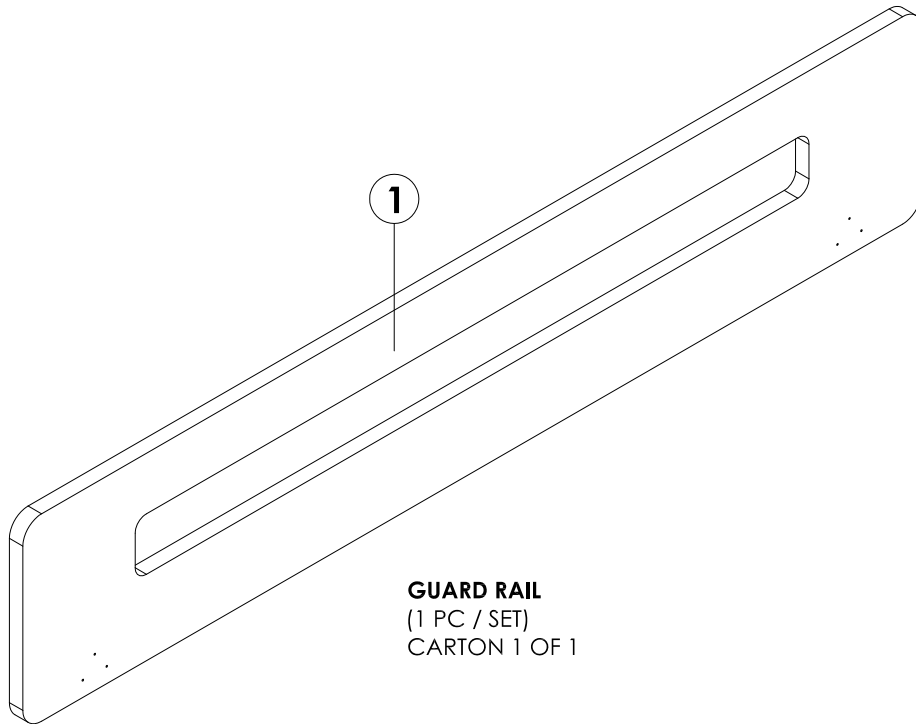
CSK RATTAN SCREW (#8 x 25MM)



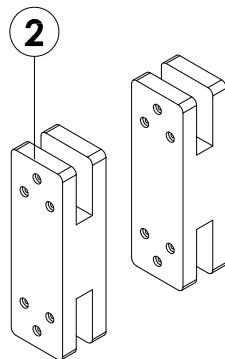
Do not recommend the use of power drills/drivers for inserting bolts/screws as this could damage the unit.

**Tools Required :**  
Crosshead Screw Driver

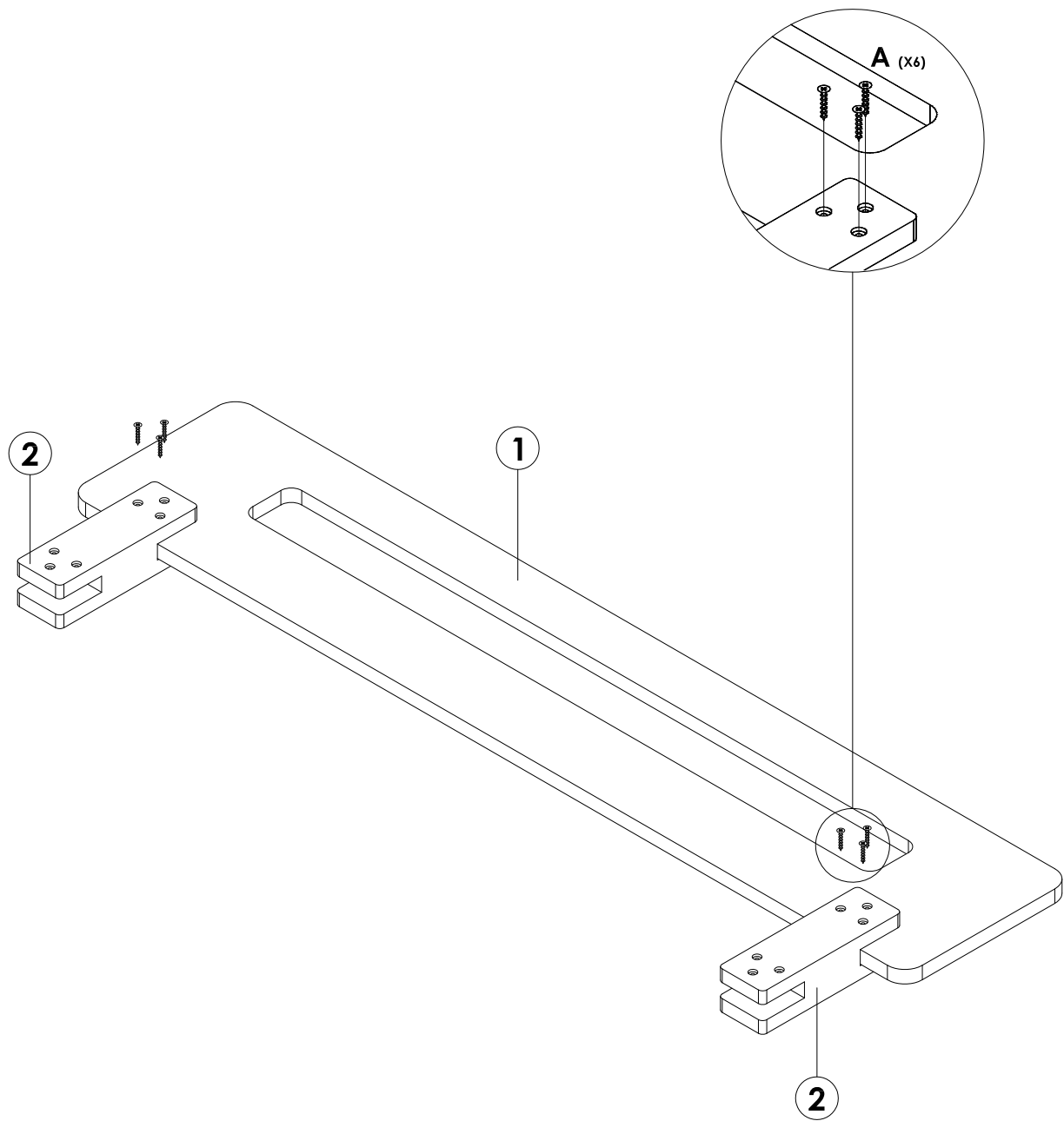
## PART LIST



**GUARD RAIL**  
(1 PC / SET)  
CARTON 1 OF 1

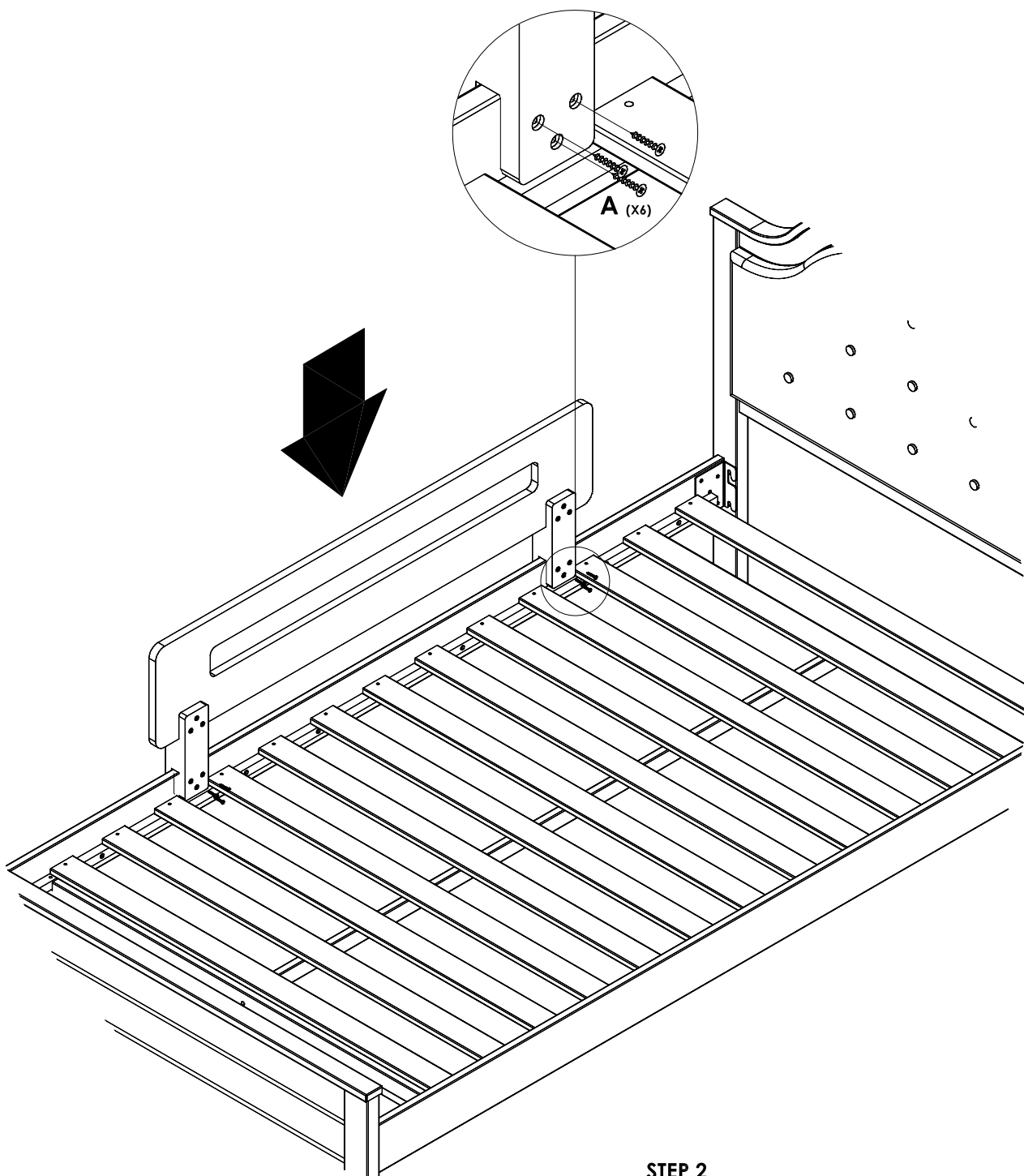


**RAIL SUPPORT**  
(2 PCS / SET)  
CARTON 1 OF 1



**STEP 1**

Attach and secure **Guard Rail** onto **Rail Support** by using **(A)**, tighten it up by using a crosshead screw driver.



### **STEP 2**

Place the previous assembly onto the already completed bed's **Side Rail** by using **(A)**, tighten it up by using crosshead screw driver. Go on to complete the assembly.