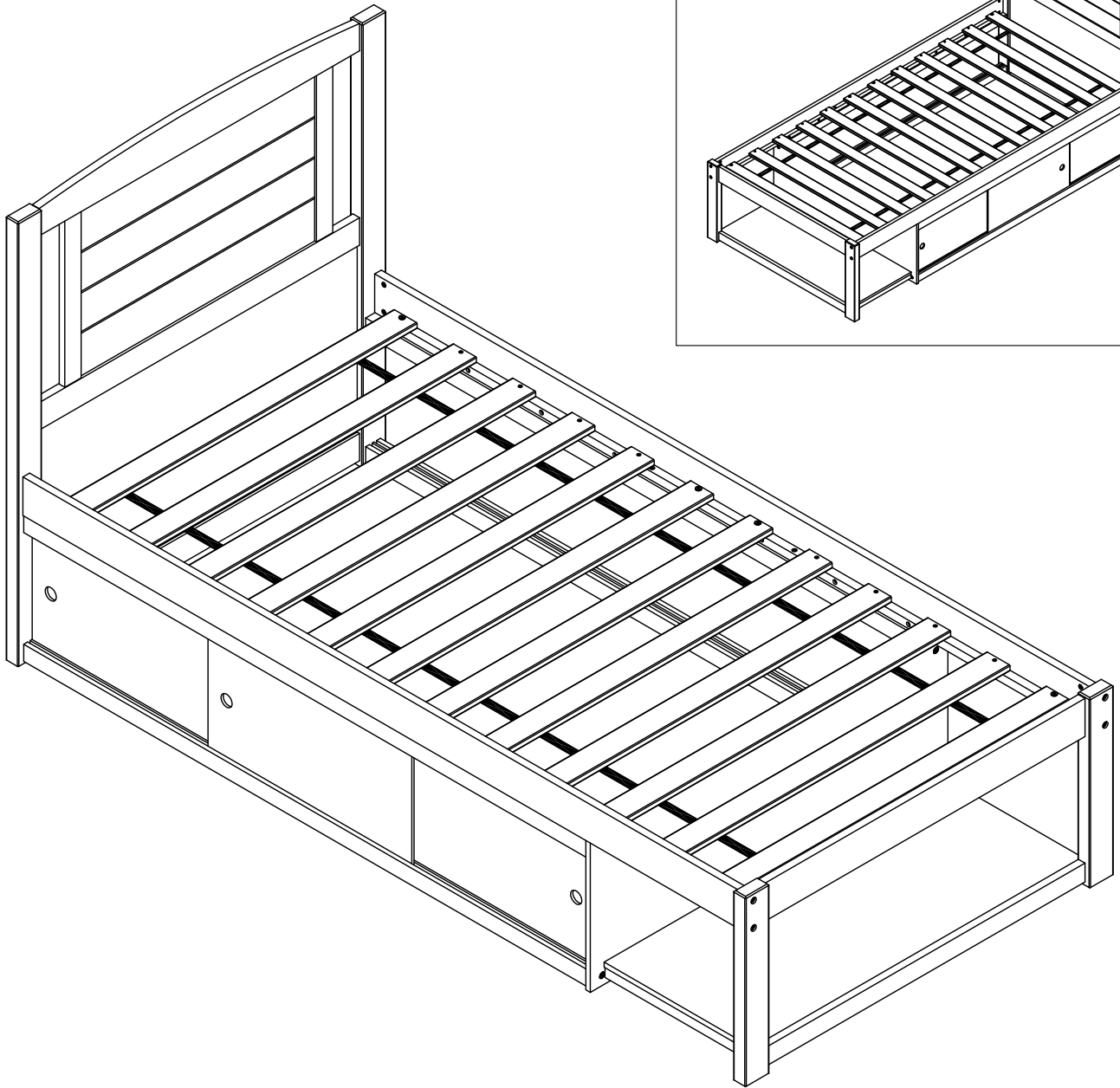


ASSEMBLY INSTRUCTION

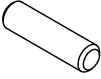
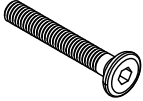
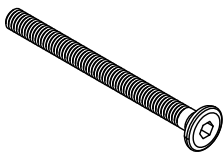

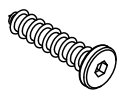


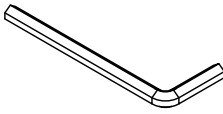

MODEL : IQ207SW SINGLE BED (930 x 1930)MM



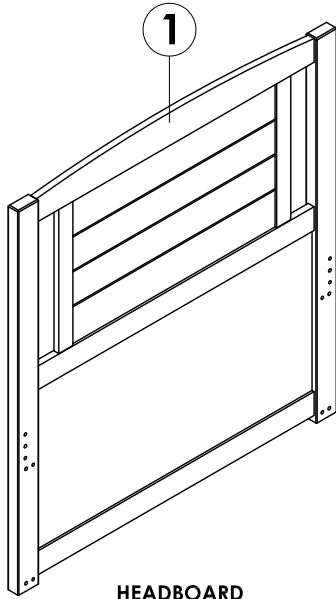
CARE & MAINTENANCE:

- Check all the components and fittings before start assembly.
- Assemble the item as close as possible to its final position (in the room of use).
- Assemble on a soft level surface to avoid damaging the unit or your floor.
- Assemble the parts will be easier with 2 persons.
- Periodically check all screws and fittings to ensure they are secure.
- The use of power drill is not recommended as this could damage the unit. Only use hand screwdrivers.
- DO NOT push the bed frame as this will damage the legs.
- Always lift the item with 2 persons to reposition.
- Keep any sharp objects away from the item.
- DO NOT drag objects across finished surfaces.
- Avoid placing your furniture in direct sunlight.
- Use clean, soft, dry, and lint-free cloth for the dusting process.

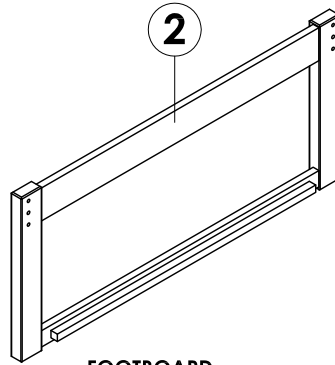
HARDWARE LIST (VP 419)

<p>A 12 PCS</p>  <p>PLASTIC DOWEL (M8 x 30MM)</p>	<p>B 4 PCS</p>  <p>JCBC BOLT (M6 x 40MM)</p>	<p>C 12 PCS</p>  <p>JCBC BOLT (M6 x 70MM)</p>
<p>D 16 PCS</p>  <p>JRN NUT (M6 x 13MM)</p>	<p>E 8 PCS</p>  <p>JCBC W SCREW (M7 x 32MM)</p>	<p>F 16 PCS</p>  <p>CSK C/B SCREW (M4 x 32MM)</p>
<p>G 6 PCS</p>  <p>P/H RATTAN SCREW (#8 x 25MM)</p>	<p>H 1 PC</p>  <p>ALLEN KEY (M4 x 60MM)</p>	 <p><i>Do not recommend the use of power drills/drivers for inserting bolts/screws as this could damage the unit.</i></p> <p>Tools Required : Crosshead Screw Driver</p>

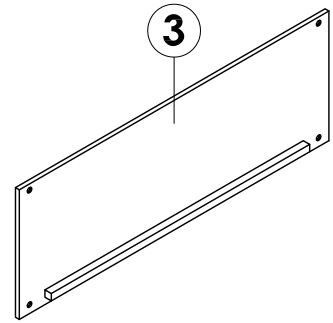
PART LIST



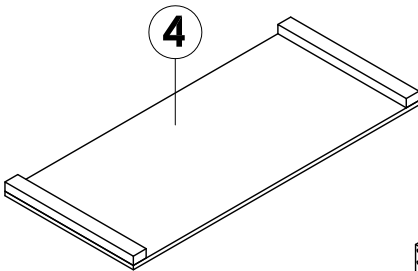
1
HEADBOARD
(1 PC / SET)
CARTON 1 OF 3



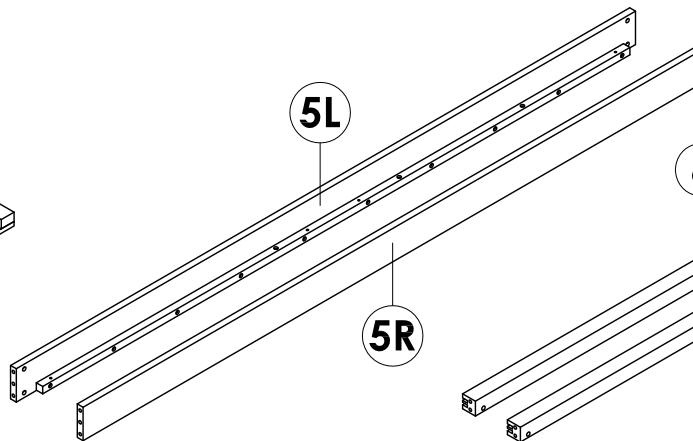
2
FOOTBOARD
(1 PC / SET)
CARTON 1 OF 3



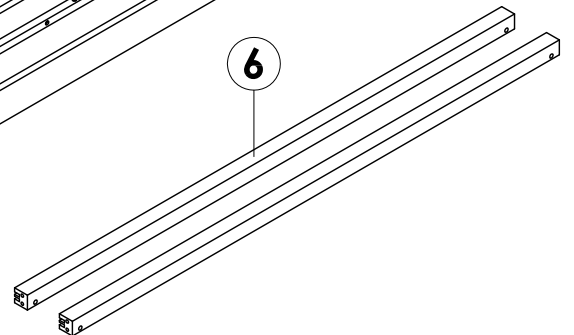
3
SIDE PANEL
(1 PC / SET)
CARTON 1 OF 3



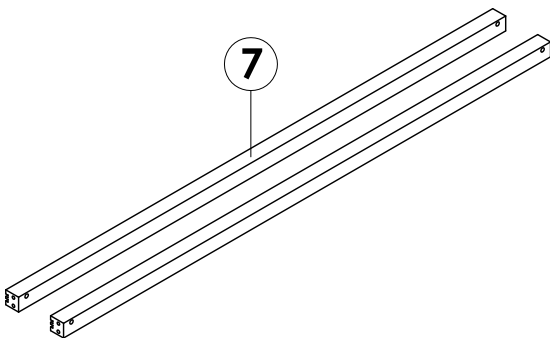
4
BASE PANEL
(1 PC / SET)
CARTON 1 OF 3



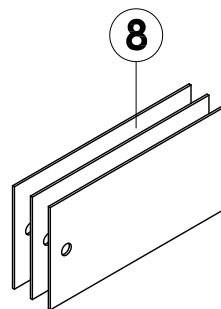
5L
5R
SIDE RAIL (L/R)
(2 PCS / SET)
CARTON 2 OF 3



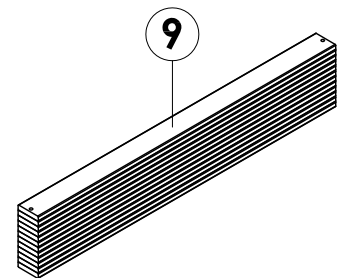
6
TOP FRAME
(2 PCS / SET)
CARTON 2 OF 3



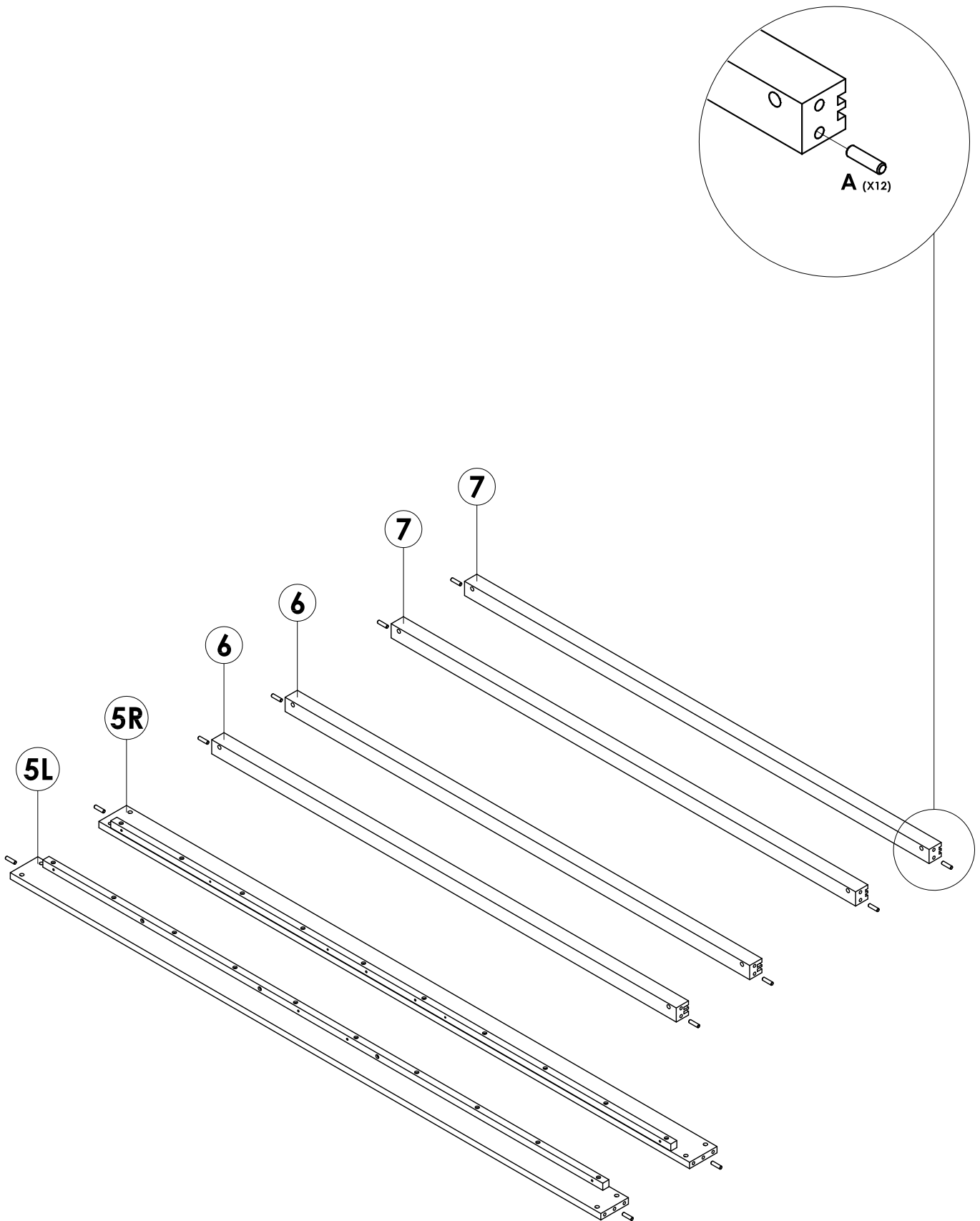
7
BOTTOM FRAME
(2 PCS / SET)
CARTON 2 OF 3



8
DOOR
(3 PCS / SET)
CARTON 3 OF 3

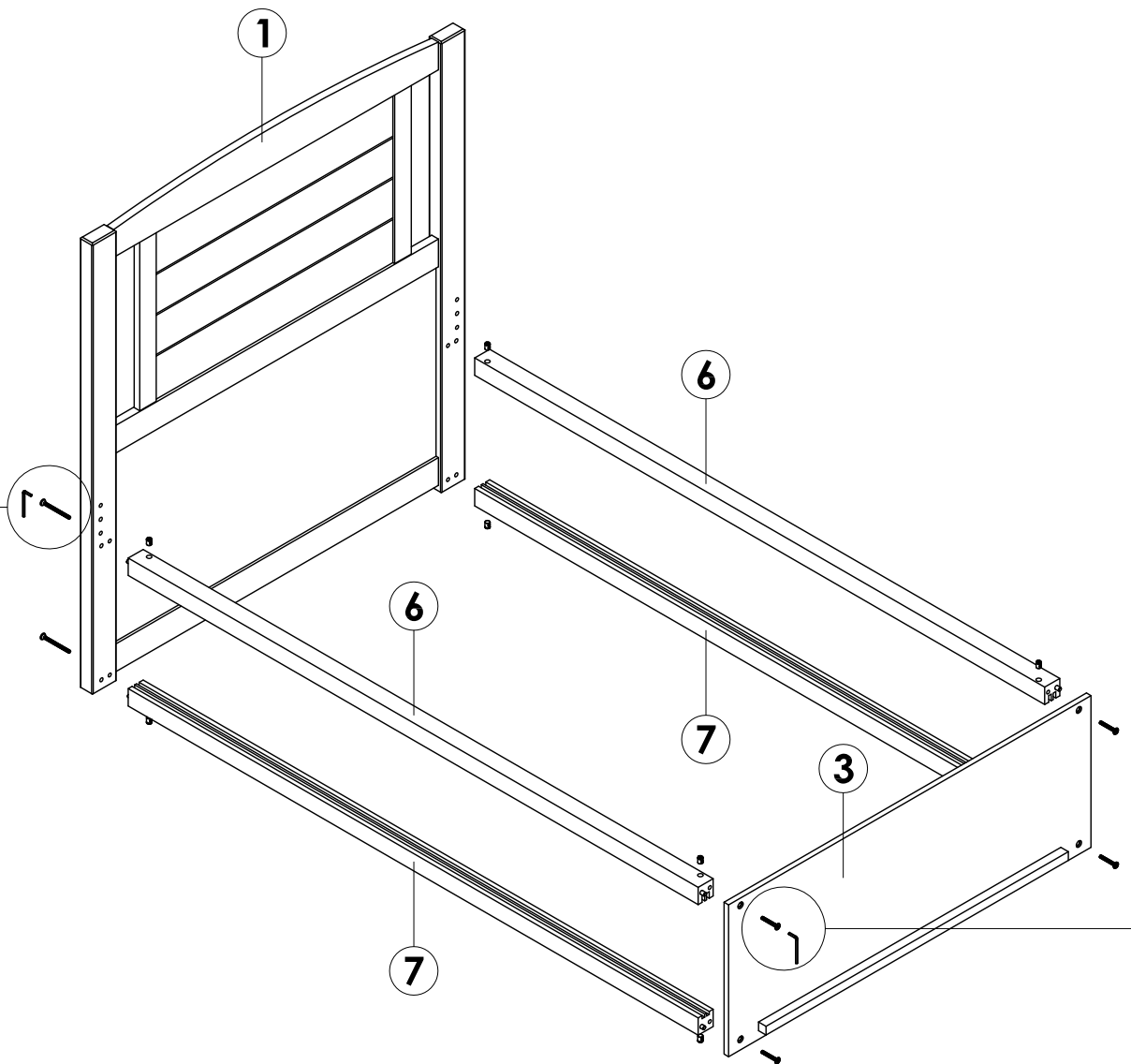
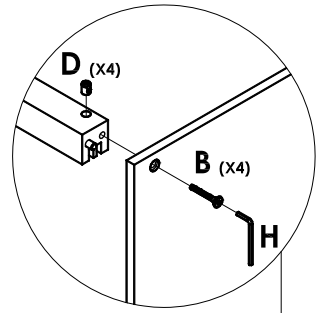
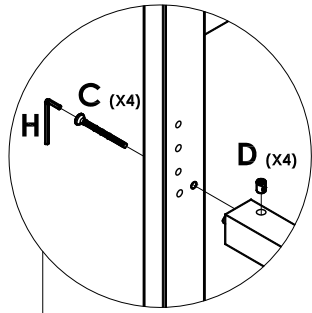


9
WOODEN SLAT
(12 PCS / SET)
CARTON 1 OF 3



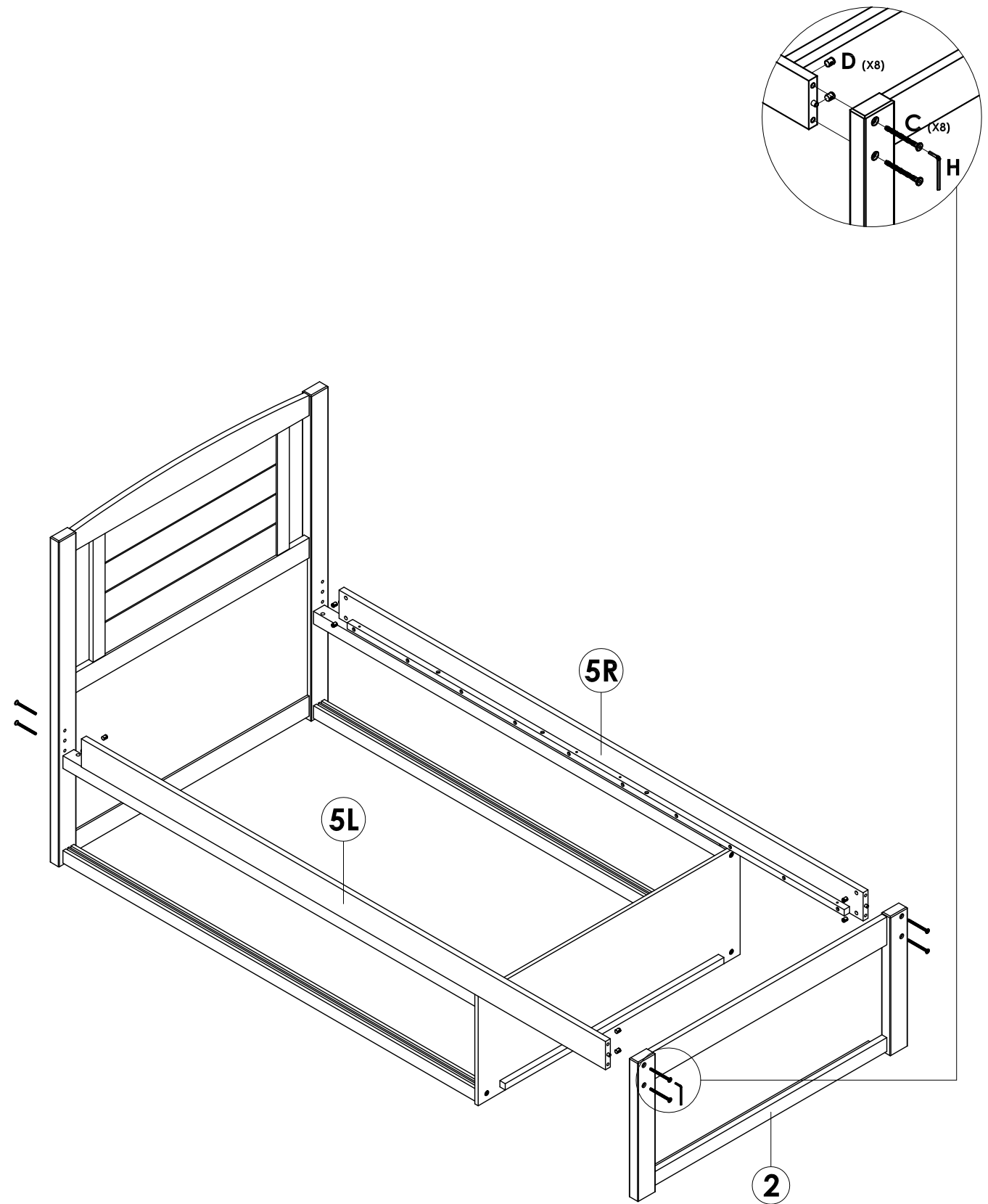
STEP 1

Insert **(A)** into Ø8MM holes of **Side Rail (L/R)**, **Top Frame** and **Bottom Frame** by using a Rubber Hammer.



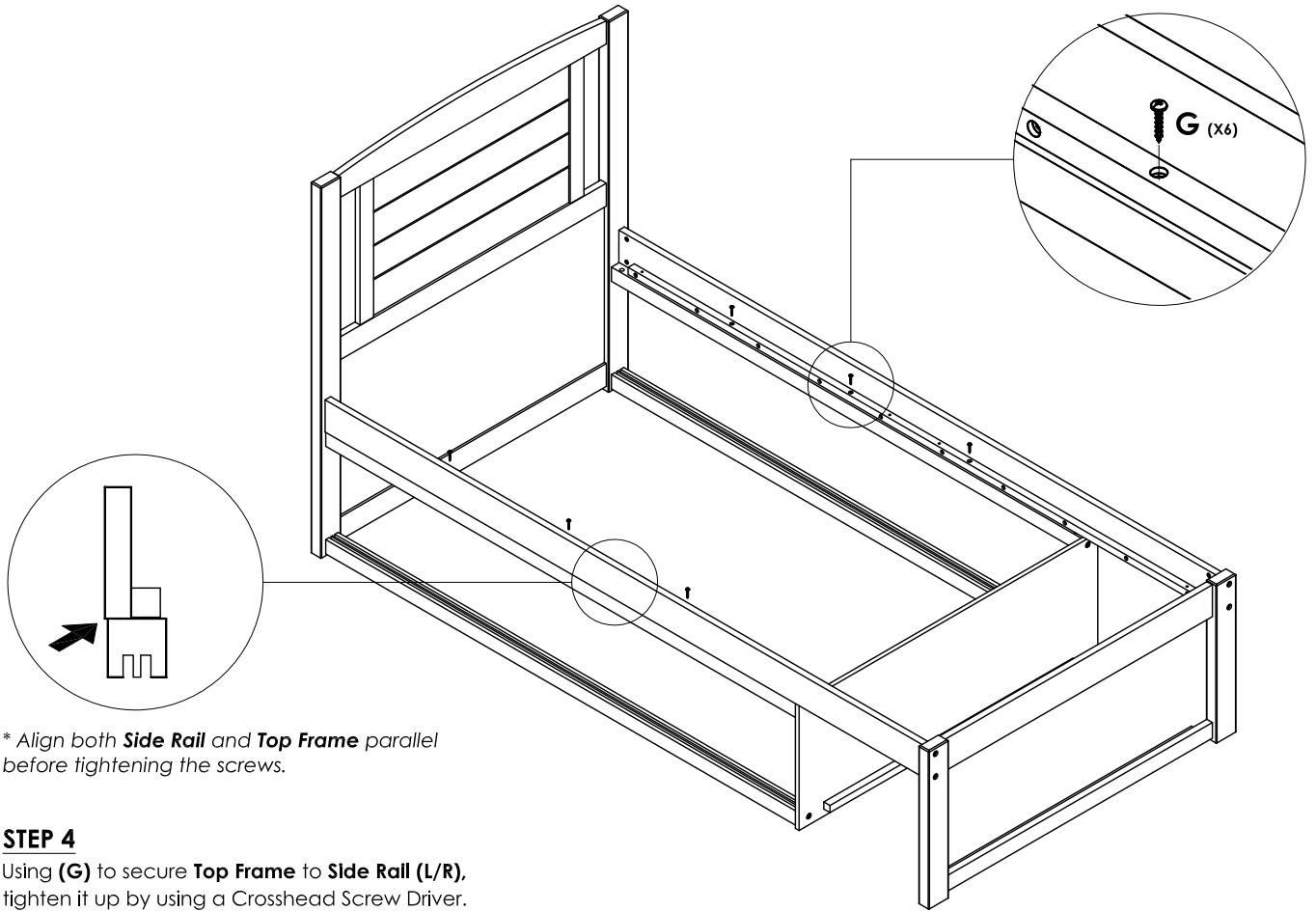
STEP 2

Attach and secure **Top Frame** and **Bottom Frame** onto **Headboard** by using **(C)** and **(D)**, **Side Panel** by using **(B)** and **(D)**, tighten it up by using **(H)**.



STEP 3

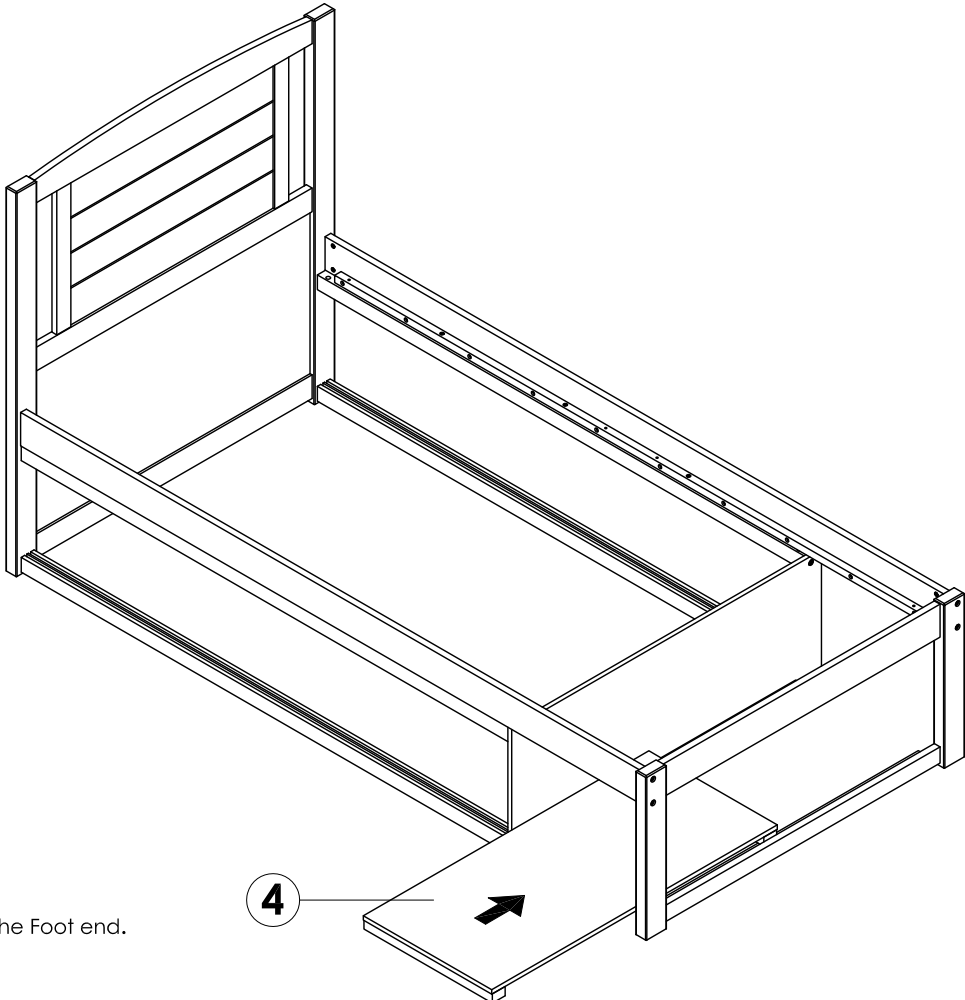
Attach both **Side Rail (L/R)** onto **Headboard** and **Footboard** by using **(C)** and **(D)** by using **(H)**.



* Align both **Side Rail** and **Top Frame** parallel before tightening the screws.

STEP 4

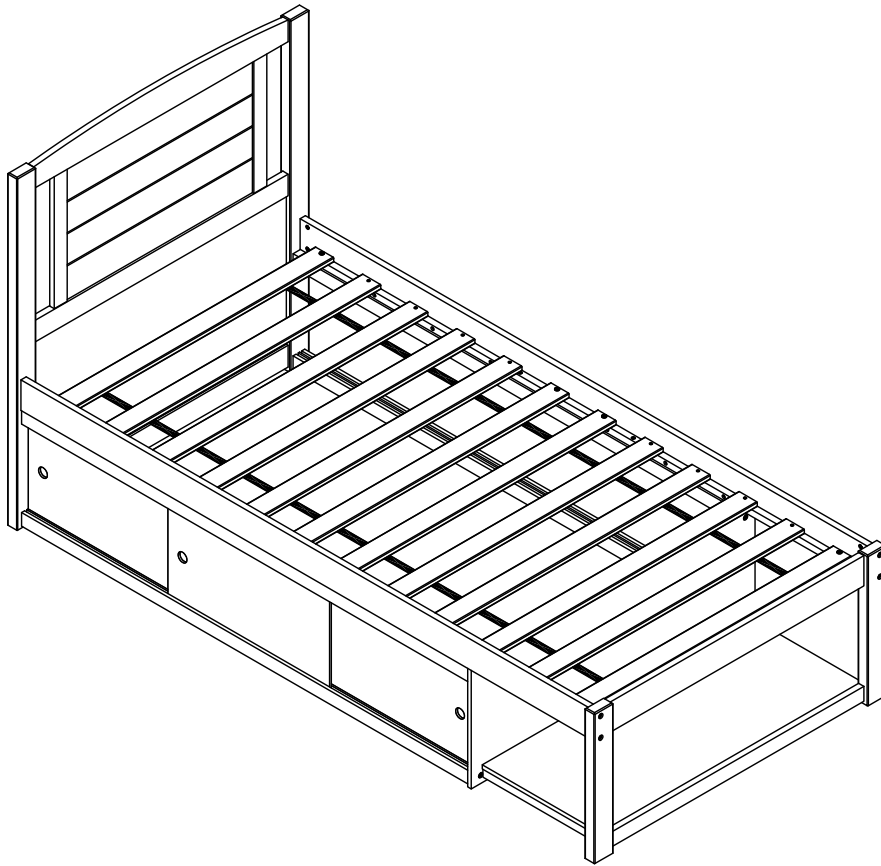
Using **(G)** to secure **Top Frame** to **Side Rail (L/R)**, tighten it up by using a Crosshead Screw Driver.



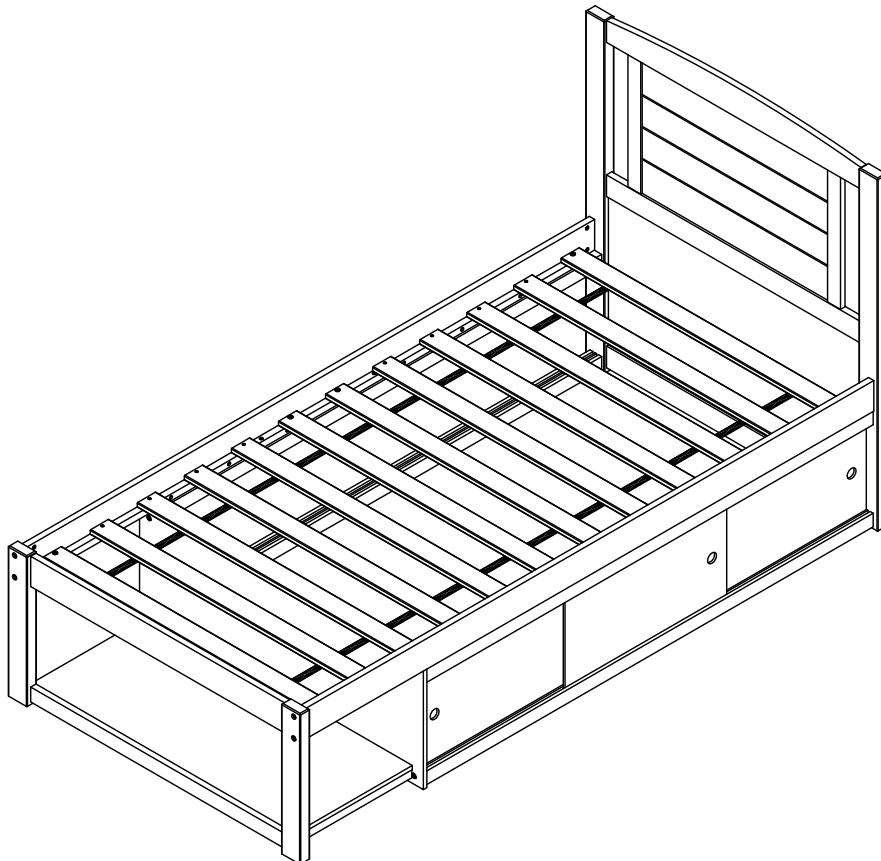
STEP 5

Slot **Base Panel** into the Foot end.

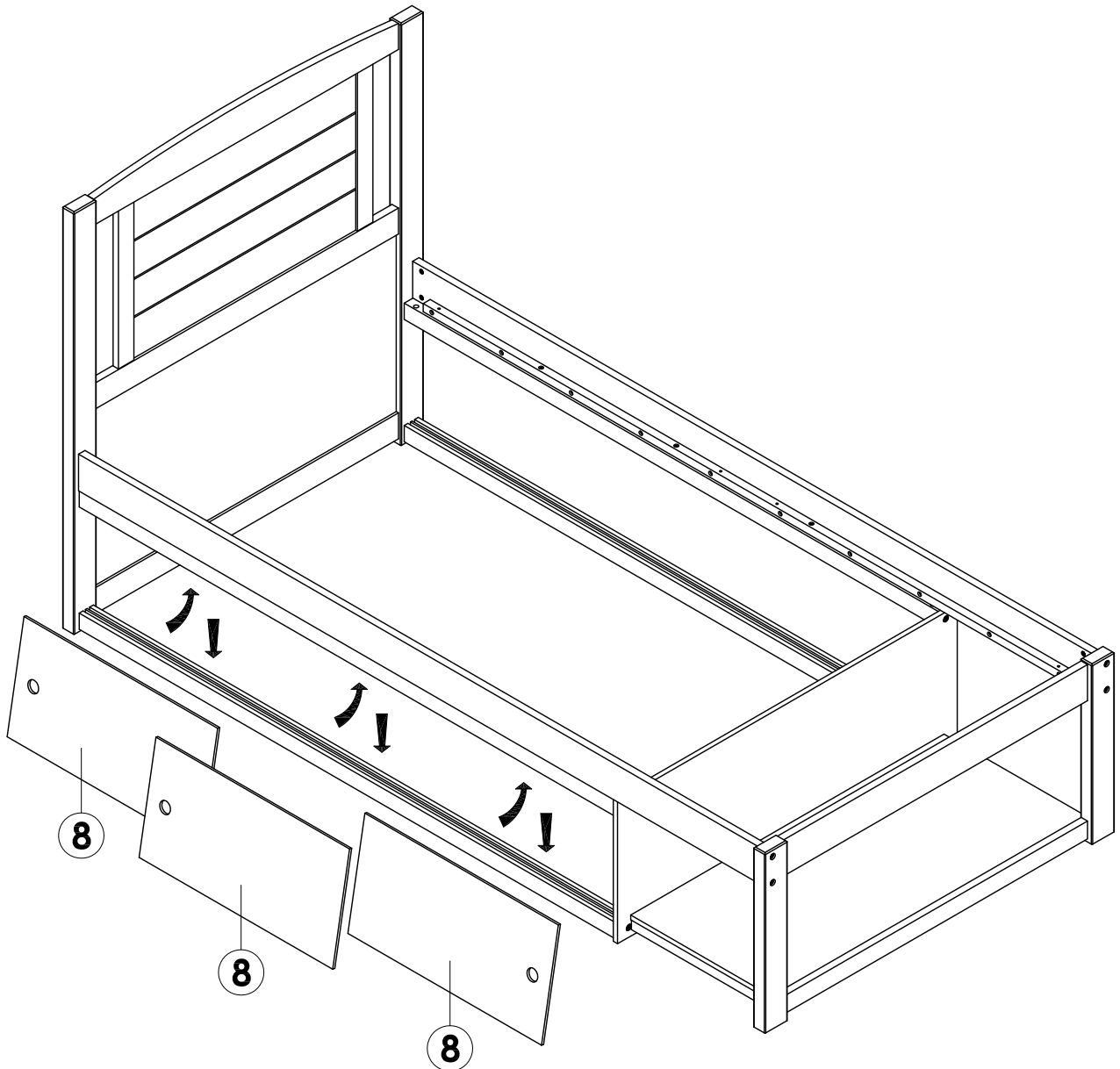
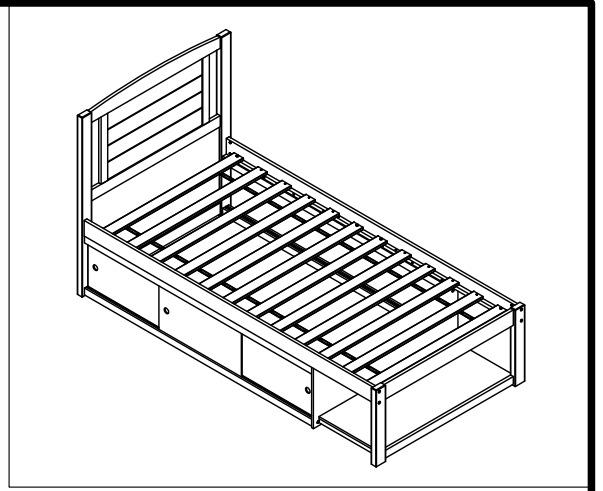
OPTION 1 (PAGE 9-10)



OPTION 2 (PAGE 11-12)

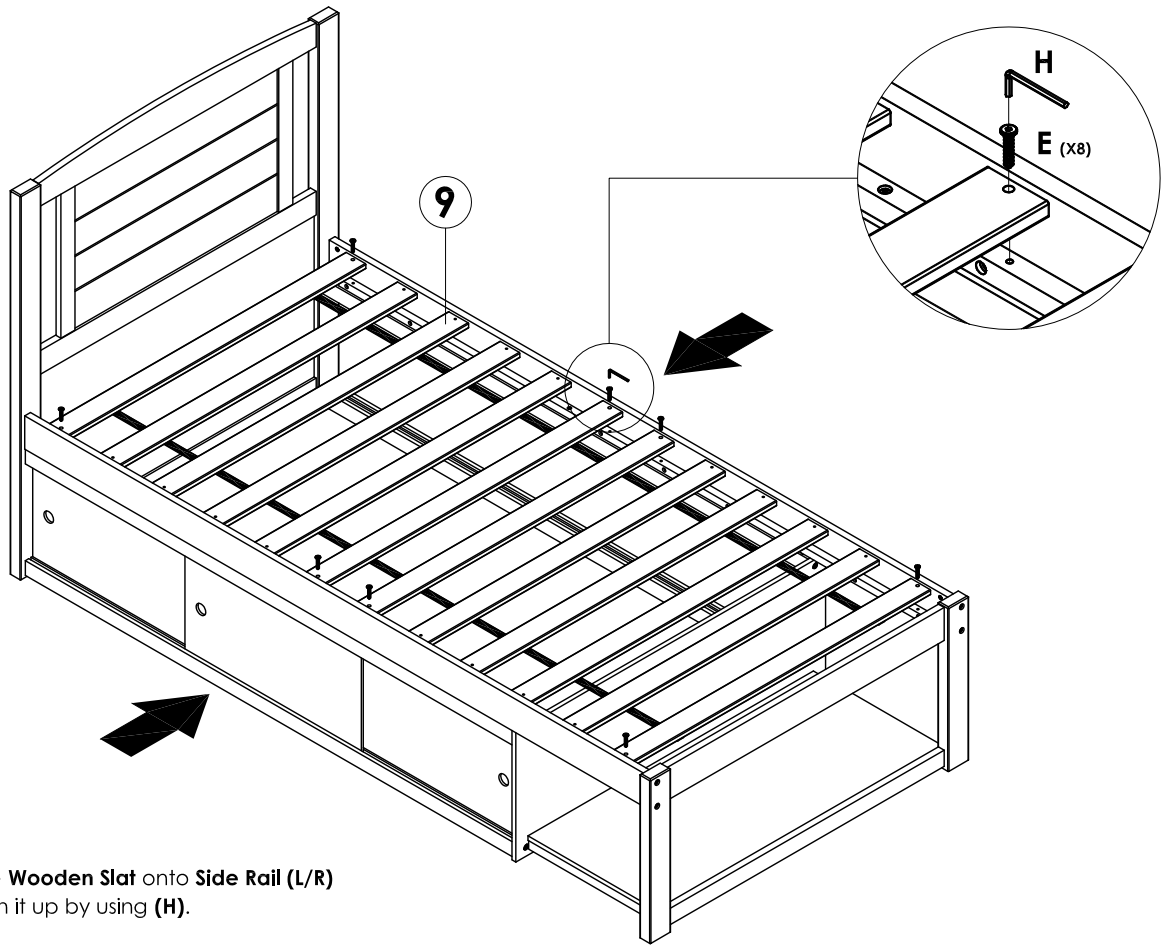


OPTION 1



STEP 6

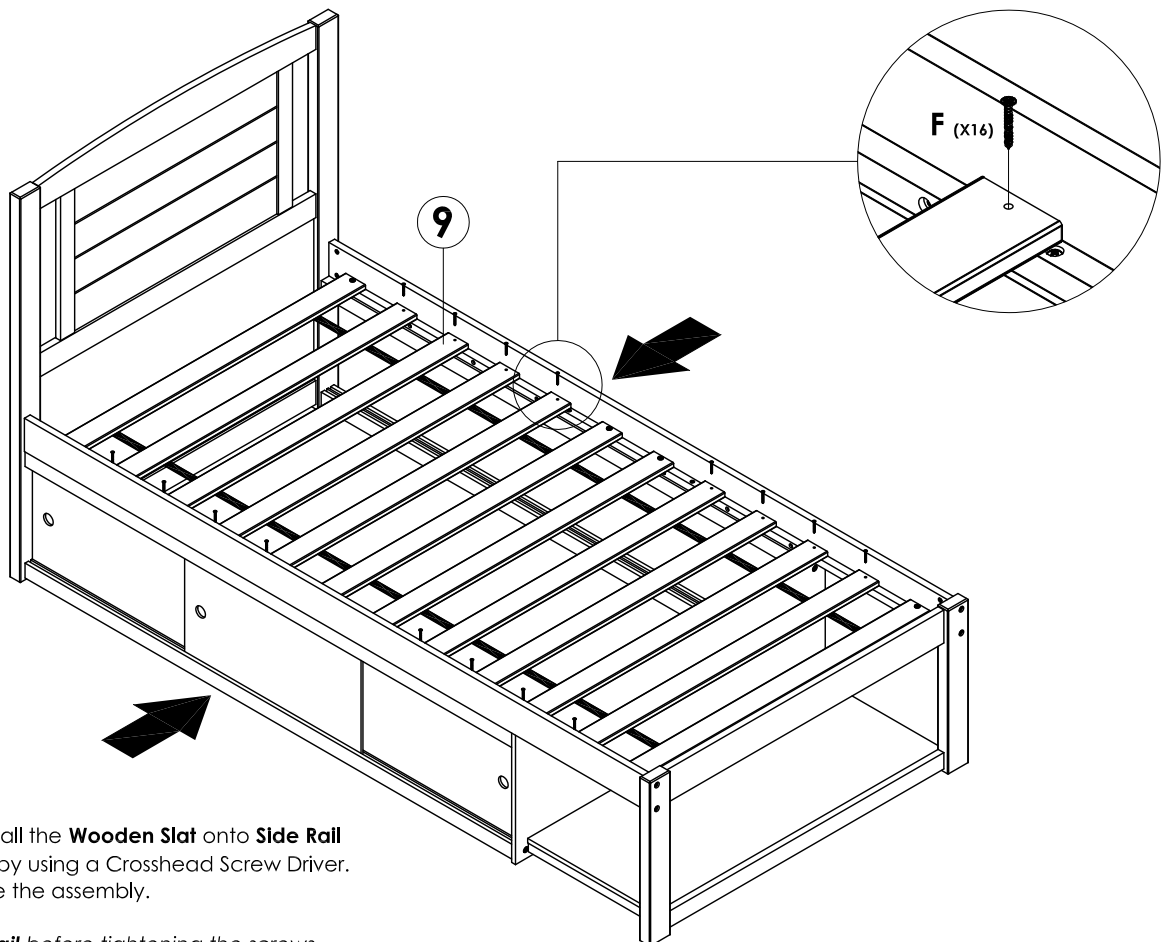
Install the **Doors** (Left & Right) First, install by inserting in the **Top Frame** inside track groove on an angle. Straighten the **Doors** and lower it into the **Bottom Frame** inside track groove. After that insert the **Door** (Center) inserting in the outside track groove with the same way.



STEP 7

Attach and secure **Wooden Slat** onto **Side Rail (L/R)** by using **(E)**, tighten it up by using **(H)**.

* Align both **Side Rail** before tightening the screws.

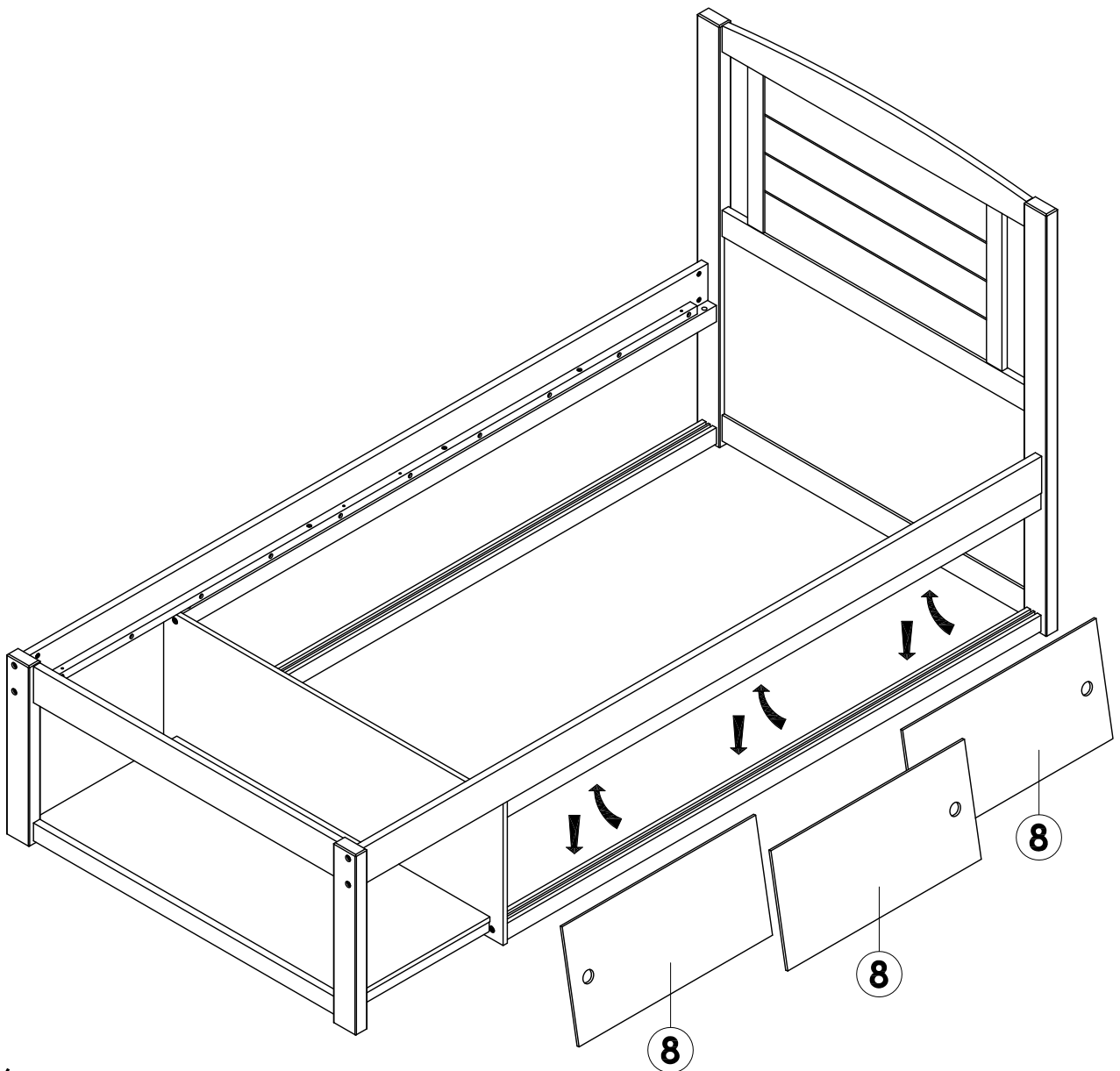
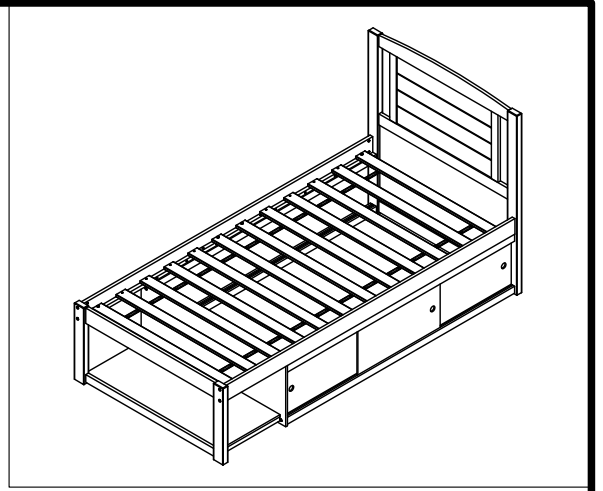


STEP 8

Using **(F)** to secure all the **Wooden Slat** onto **Side Rail (L/R)**, tighten it up by using a Crosshead Screw Driver. Go on to complete the assembly.

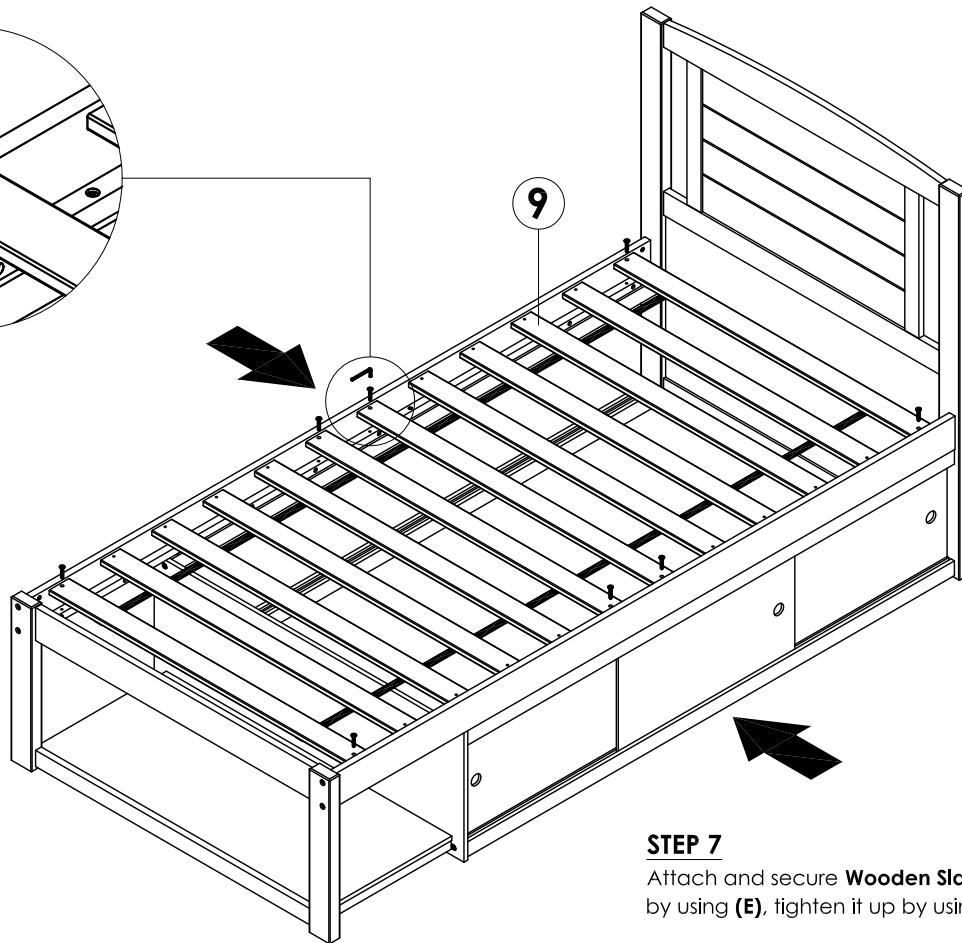
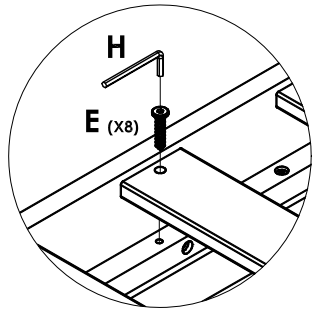
* Align both **Side Rail** before tightening the screws.

OPTION 2



STEP 6

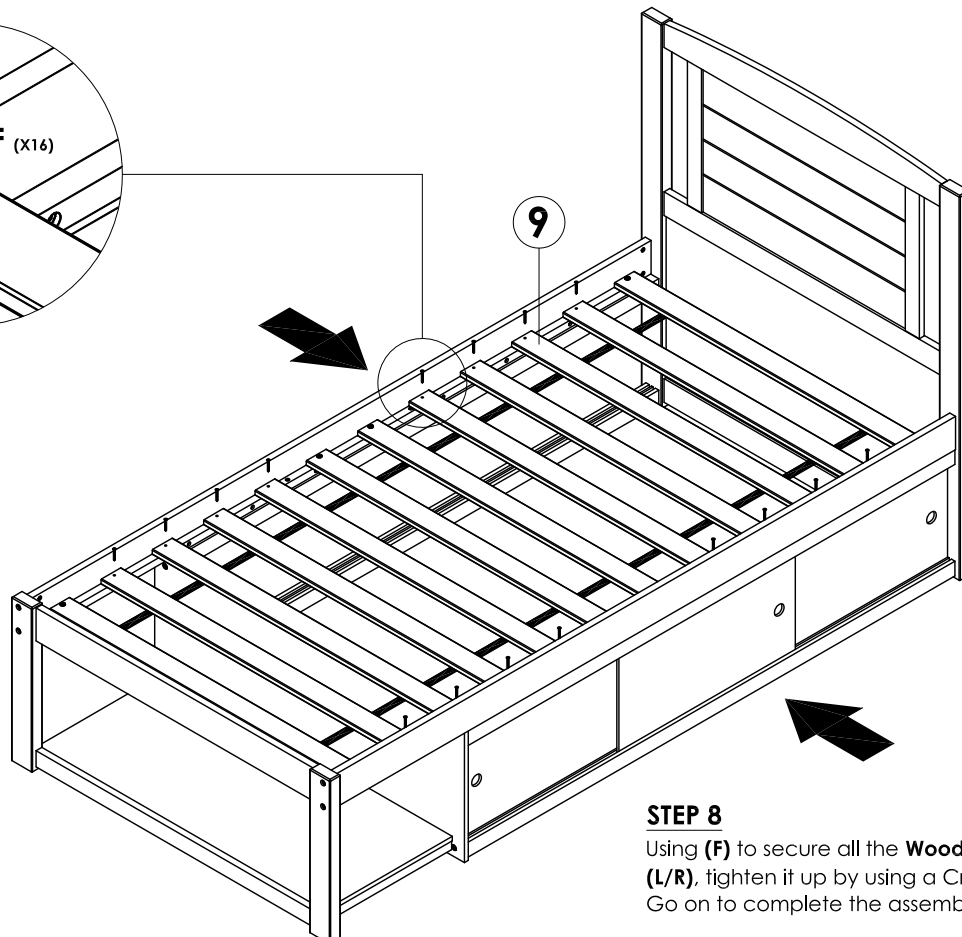
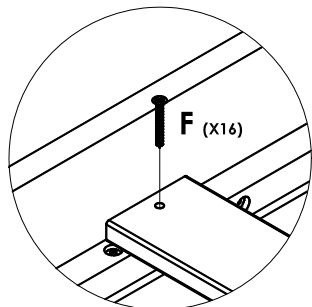
Install the **Doors** (Left & Right) First, install by inserting in the **Top Frame** inside track groove on an angle. Straighten the **Doors** and lower it into the **Bottom Frame** inside track groove. After that insert the **Door** (Center) inserting in the outside track groove with the same way.



STEP 7

Attach and secure **Wooden Slat** onto **Side Rail (L/R)** by using **(E)**, tighten it up by using **(H)**.

* Align both **Side Rail** before tightening the screws.



STEP 8

Using **(F)** to secure all the **Wooden Slat** onto **Side Rail (L/R)**, tighten it up by using a Crosshead Screw Driver. Go on to complete the assembly.

* Align both **Side Rail** before tightening the screws.