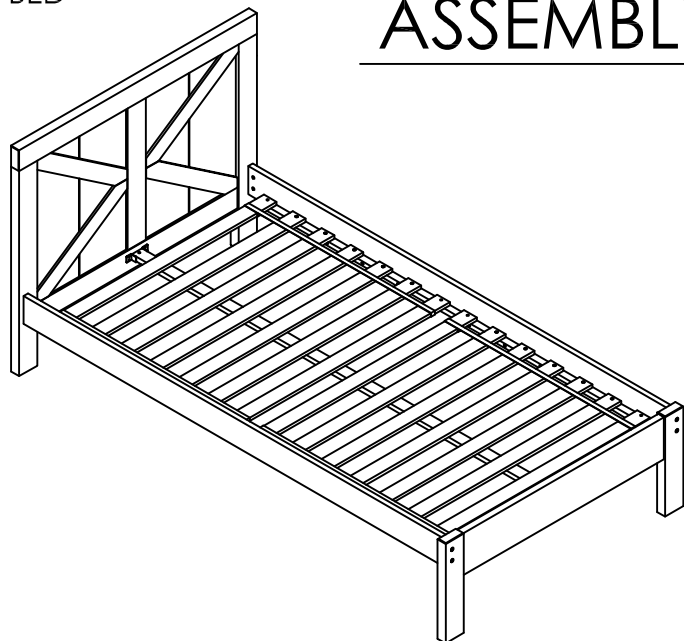


# ASSEMBLY INSTRUCTIONS



### ASSEMBLY TIPS

1. Remove hardware from box and sort by size.
2. Please check to see that all hardware and parts are present prior start of assembly.
3. Please follow attached instructions in the same sequence as numbered to assure fast and easy assembly.














### Warning !

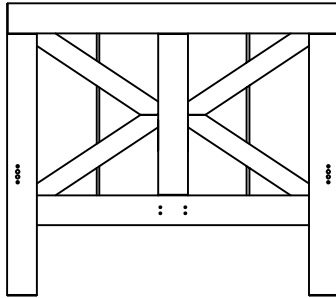
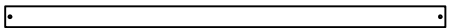
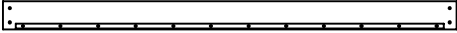
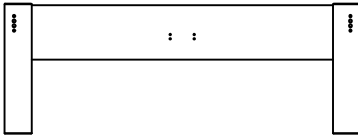
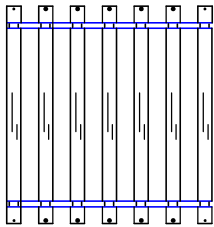
1. Don't attempt to repair or modify parts that are broken or defective. Please contact the store immediately.
2. This product is for home use only and not intended for commercial establishments.

"Slat base is using the timber wood material which is LVL (Laminated Veneer Lumber). Laminated veneer lumber (LVL) is an engineered wood product that uses multiple layers of thin wood assembled with adhesives, and it is comparable in strength to solid timber slat. Some of the slat you might find the timber wood joiner which is not a crack or defect which is still strong and solid".

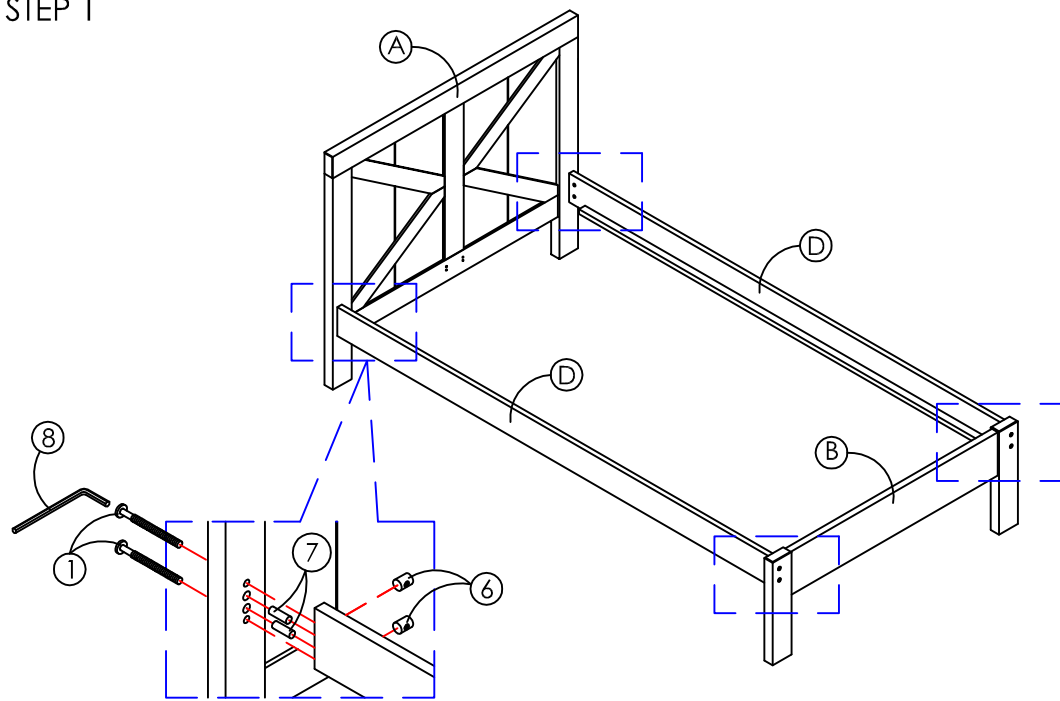
### HARDWARE LIST

1	 8 PCS	7	 8 PCS
2	 2 PCS	8	 1 PC
3	 8 PCS	9	 2 PCS
4	 20 PCS	10	 2 PCS
5	 8 PCS	11	 2 PCS
6	 8 PCS		

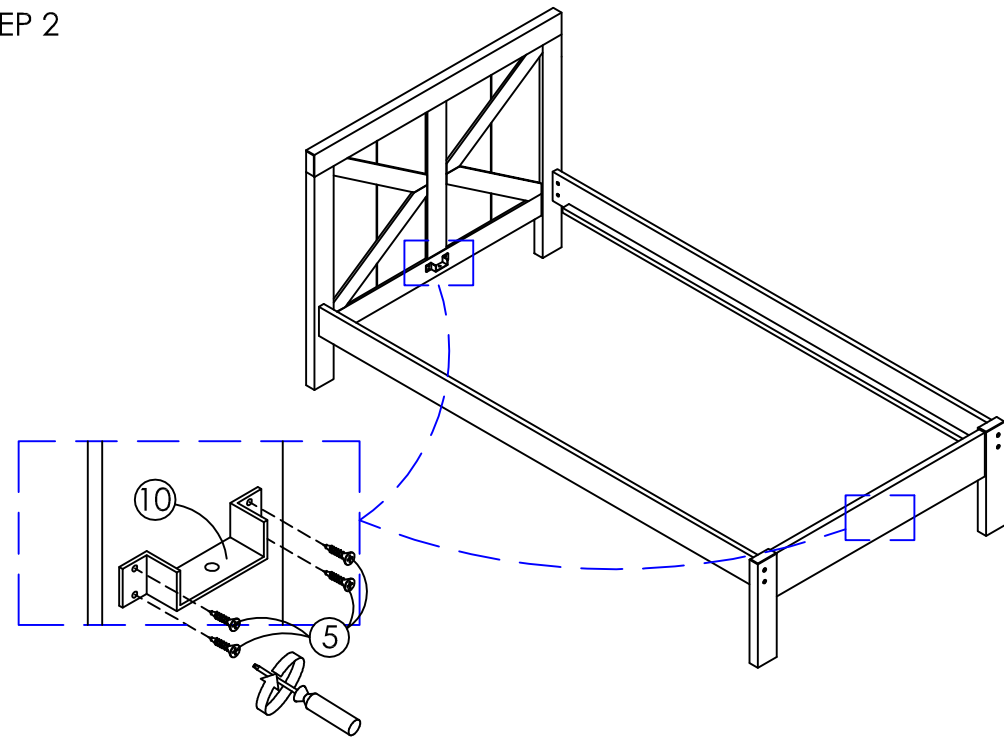
### COMPONENT LIST

A	 1 PC	C	 1 PC
		D	 2 PCS
B	 1 PC	E	 2 SETS

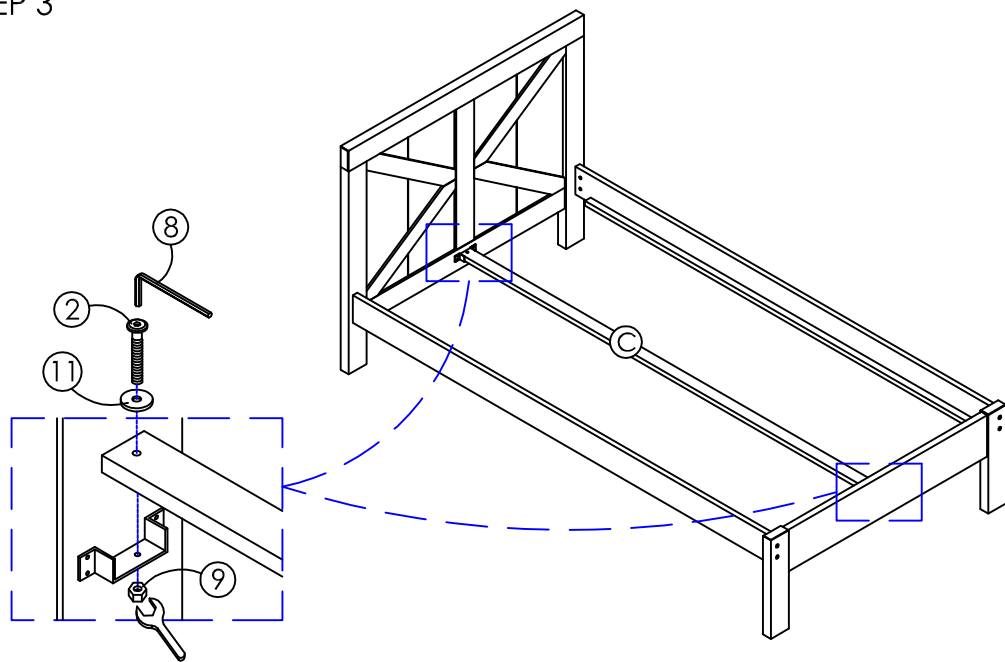
STEP 1



STEP 2



STEP 3



STEP 4

