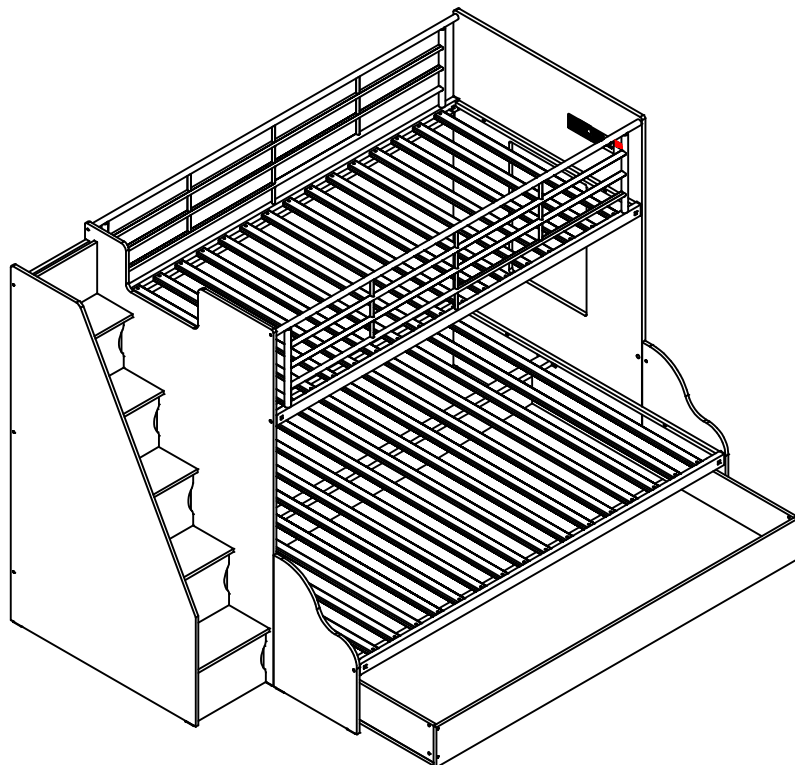
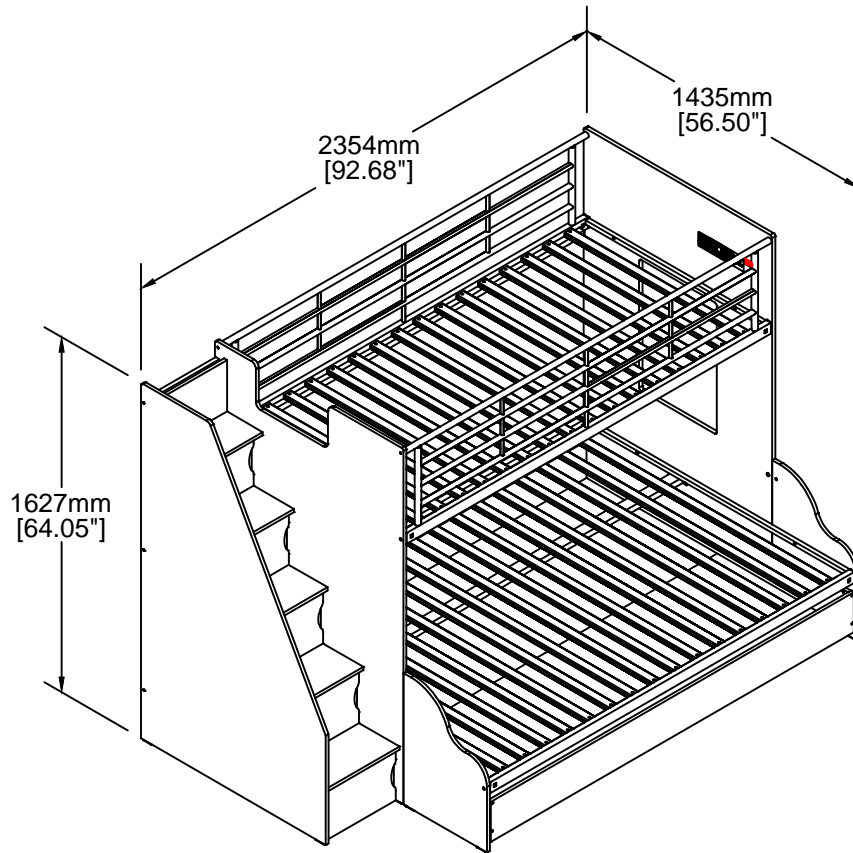


Model : MG 7582 R4

Product Size : 940~1380mm x 1930mm (Base Int Size)

Thank you for purchasing this product. Before starting assembly we suggest you spend a short time reading through this leaflet, then follow the simple step by step guide. Two people are needed to assemble this product.



Model : MG 7582 R4

Product Size : 940~1380mm x 1930mm (Base Int Size)

TOP TIPS BEFORE YOU START !

IMPORTANT- READ CAREFULLY- RETAIN FOR FUTURE REFERENCE

1. Please check that all parts & hardware are present before you start the assembly of your furniture.
2. For ease and speed of assembly, we recommend that before you commence each step of the assembly, Please identify all the parts required for that step.
3. We recommend that where possible, all items are assembled near to the area in which they will be placed in use, to Avoid moving the product unnecessarily once assembled.
4. For the protection of your furniture, particularly items of high gloss finish, we recommend that the product is placed on a Protected surface during assembly to prevent any damage.
5. During assembly please take care not to over-tighten any fittings, as this may damage the product.

CARE AND MAINTENANCE OF YOUR FURNITURE

- Please periodically check all fittings and re-tighten as necessary.
- To clean your item, please use a damp cloth and wipe clean.
- Never allow any kind of liquid to remain on your furniture. Absorption can cause wood to warp or finishes to de-laminate.
- Please do not place hot items (e.g hot drinks) directly on the wood surface.
- Please do not drag or pull your furniture.

IMPORTANT INFORMATION

1. Thickness of mattress should not exceed 228mm.
2. Children should be discouraged from playing on top of this bunk bed.
3. The bunk bed should be checked periodically by the owner to ensure that the guardrail, ladder, and other components are maintained in the correct position and state of repair and that all connectors are tight.
4. A bunk bed is not to be placed near a ceiling fan unless the distance between the closest points on the ceiling fan bunk Bed is at least 2 metres.
5. Use guardrails on both sides of upper bunk.
6. Prohibit horseplay on or under bed(s).
7. Prohibit more than one person on upper bunk.
8. Use Ladder for entering and leaving upper bunk.
9. If the bunk bed will be placed next to the wall, the guardrail that runs the full length of the bed should be placed against The wall to prevent entrapment between the bed and the wall.

STRANGULATION HAZARD:

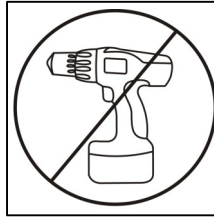
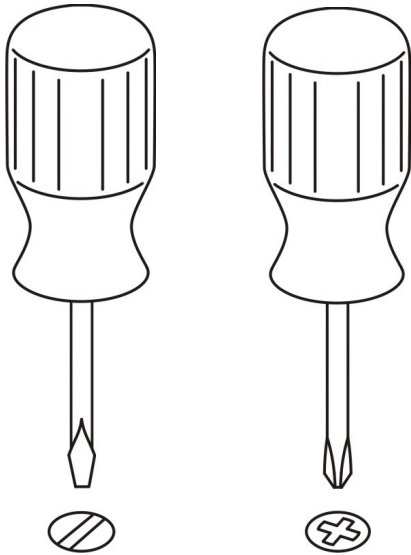
10. Never attach or hang items to any part of the bunk bed that are not designed for use with the bed for example, but not limited to hook, belt and jump ropes.

Guide To Assembly

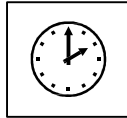
Model : MG 7582 R4

Tools Required For Assembly

Phillips Screw Driver



DO NOT USE POWER TOOLS TO ASSEMBLE THIS PRODUCT. USE OF POWER TOOLS WILL INVALIDATE ANY CLAIM AND MAY DAMAGE THIS PRODUCT MAKING IT UNSAFE.

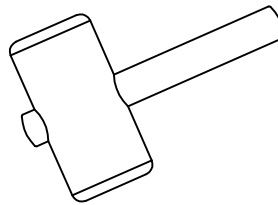


Approximately 3 hour

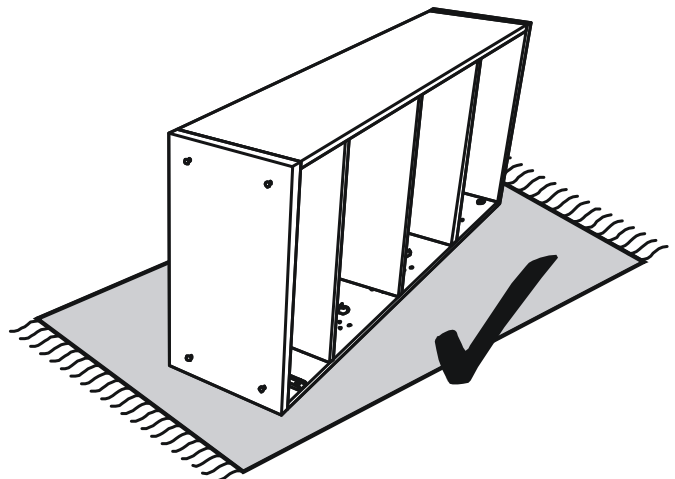
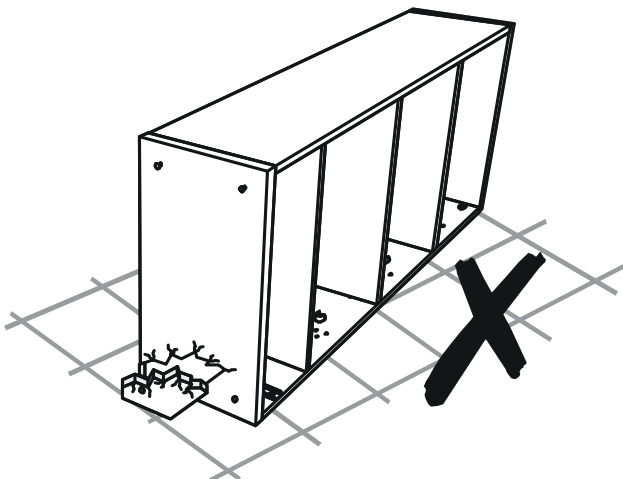
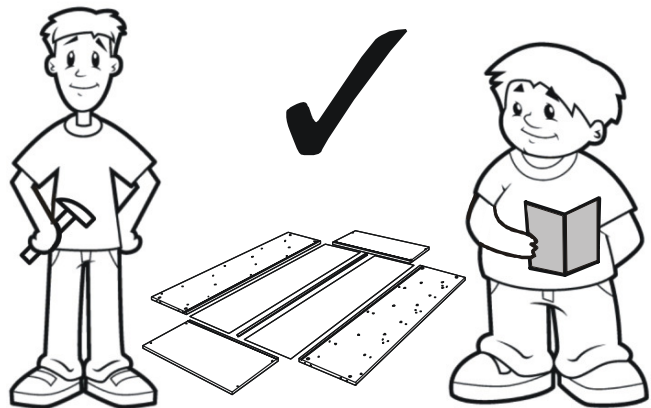
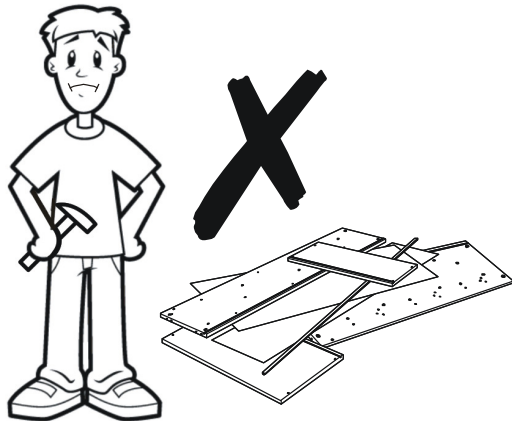
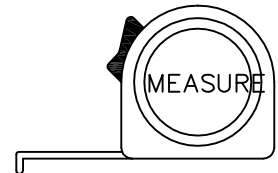


2 People Required

Rubber Hammer



Tape Measure



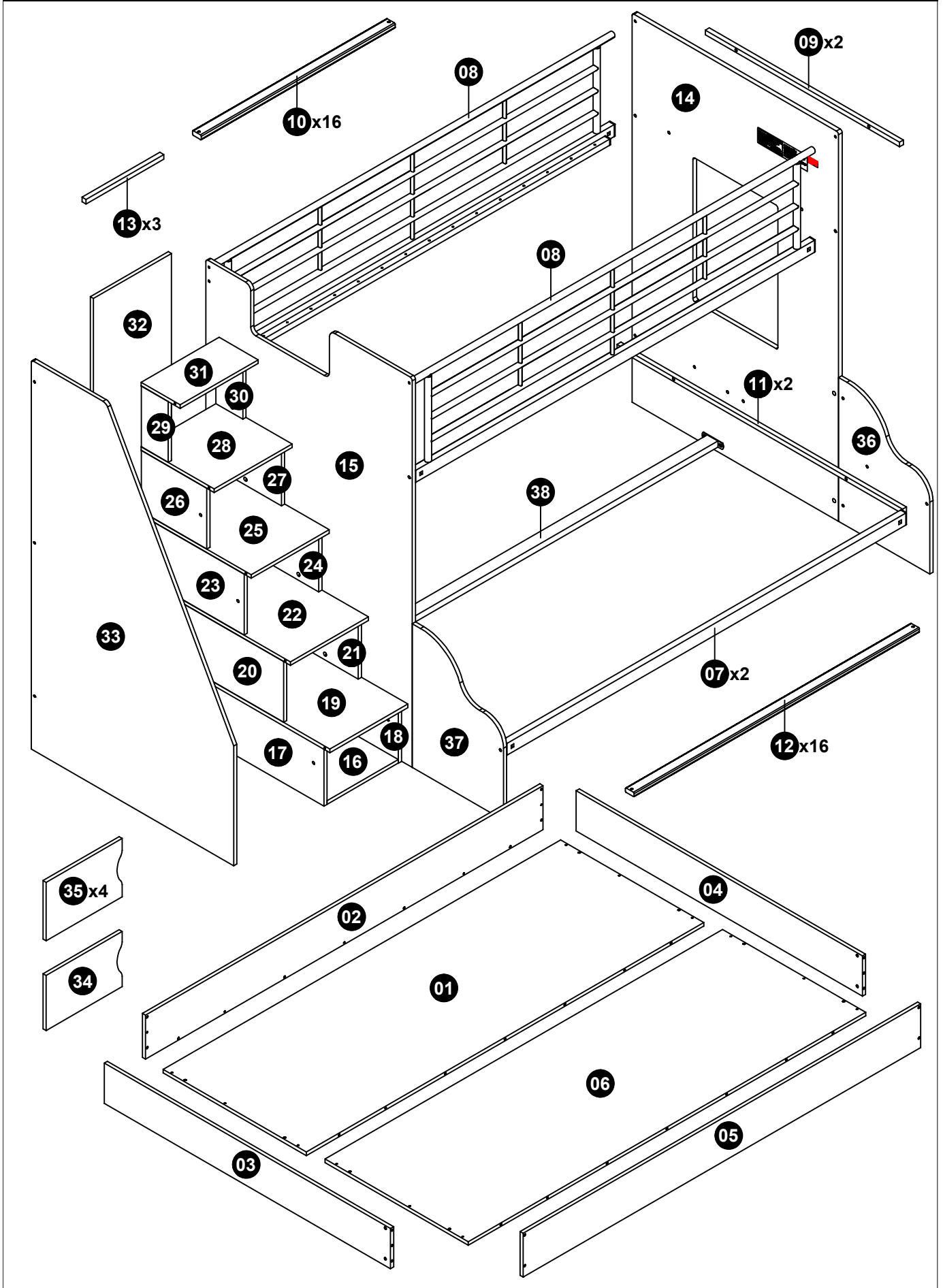
Part List

Model : MG 7582 R4

Carton 1 of 6			Carton 4 of 6		
No.	Part Name	Pcs	No.	Part Name	Pcs
16	Ladder Bottom Panel	1	07	Side Rail	2
17	Left Panel (1st Step)	1	08	Guardrail	2
18	Right Panel (1st Step)	1	09	Support Rail	2
19	Ladder Step (1st Step)	1	11	Support Rail	2
22	Ladder Step (2nd Step)	1	13	Back Support Rail	3
23	Left Panel (3rd Step)	1	38	Bottom Support Rail	1
24	Right Panel (3rd Step)	1			
25	Ladder Step (3rd Step)	1	Carton 5 of 6		
26	Left Panel (4th Step)	1	02	Back Panel (Trundle)	1
27	Right Panel (4th Step)	1	03	Left Panel (Trundle)	1
28	Ladder Step (4th Step)	1	04	Right Panel (Trundle)	1
31	Ladder Step (5th Step)	1	05	Front Panel (Trundle)	1
32	Ladder Back Panel	1	12	Solid Wood Slats (Long)	16
Assembly Instructions + Fitting List			20	Left Panel (2nd Step)	1
			21	Right Panel (2nd Step)	1
			29	Left Panel (5th Step)	1
Carton 2 of 6			30	Right Panel (5th Step)	1
10	Solid Wood Slats (Short)	16	36	Right Support Panel	1
14	Right End Panel	1	37	Left Support Panel	1
34	Ladder Door	1			
35	Ladder Door	4	Carton 6 of 6		
			01	Bottom Panel (Trundle)	1
Carton 3 of 6			06	Bottom Panel (Trundle)	1
15	Ladder Right Panel	1			
33	Ladder Left Panel	1			

Part List

Model : MG 7582 R4



Fitting List

Model : MG 7582 R4

Carton 1 of 6

Fitting List

No.	Part Name		Pcs
A	Cam Stud (small)		45
B	Cam		52
C	Contractfix Dowel		7
D	M8 x 25mm Wood Dowel		88
E	45mm Chipboard Screw		5
F	38mm Chipboard Screw		17
G	14mm Chipboard Screw		64
H	Hinges Arm (VSV)		10 set
J	40mm White Nylon Caster		12
K	M6 x 13mm Baller		7
L	M6 Round Nut		4
M	M8 Square Nut		8
N	M8 x 60mm Allen Bolt		8
P	M6 x 50mm Allen Bolt		4
Q	M6 x 40mm Allen Bolt		10
R	M6 x 30mm Allen Bolt		72
S	M6 x 25mm Allen Bolt		10
T	M6 x 12mm Allen Bolt		4
U	M6 Allen Wrench		1
V	M8 Allen Wrench		1
W	Felt Pads (45 x 14mm)		16
X	M6 JCN Nut		4

Caution

There are many small components used in the construction of this unit. These loose items should be kept away from young children whilst assembling your unit. As an extra precaution, screw cover caps should be permanently fixed in position. (Where applicable)

USEFUL HINTS & TIPS

Two people will be required to assemble this unit

Please keep this assembly instruction for future reference

Guide To Assembly

Model : MG 7582 R4

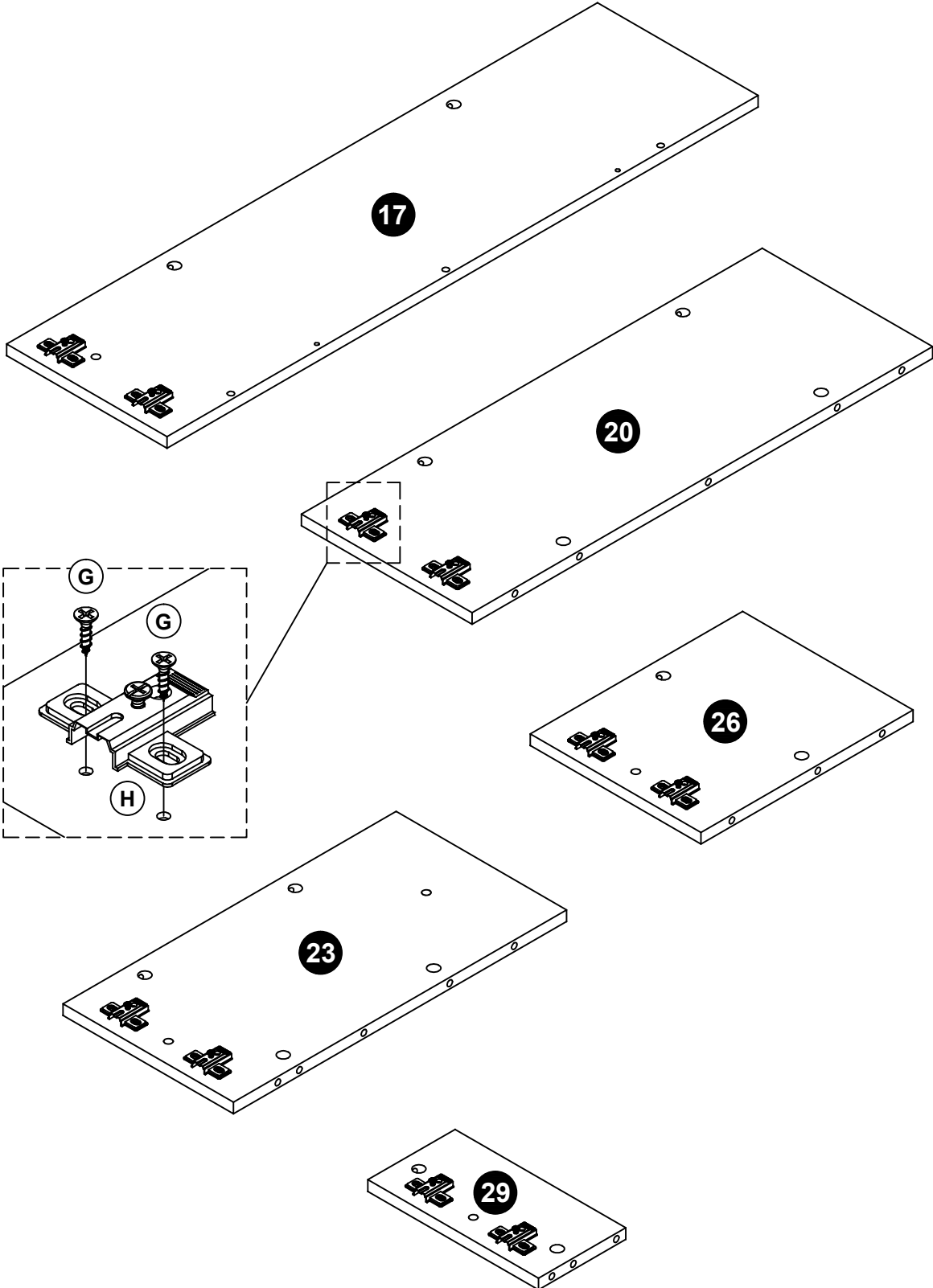
1



G x 20



H x 10



Guide To Assembly

Model : MG 7582 R4

2



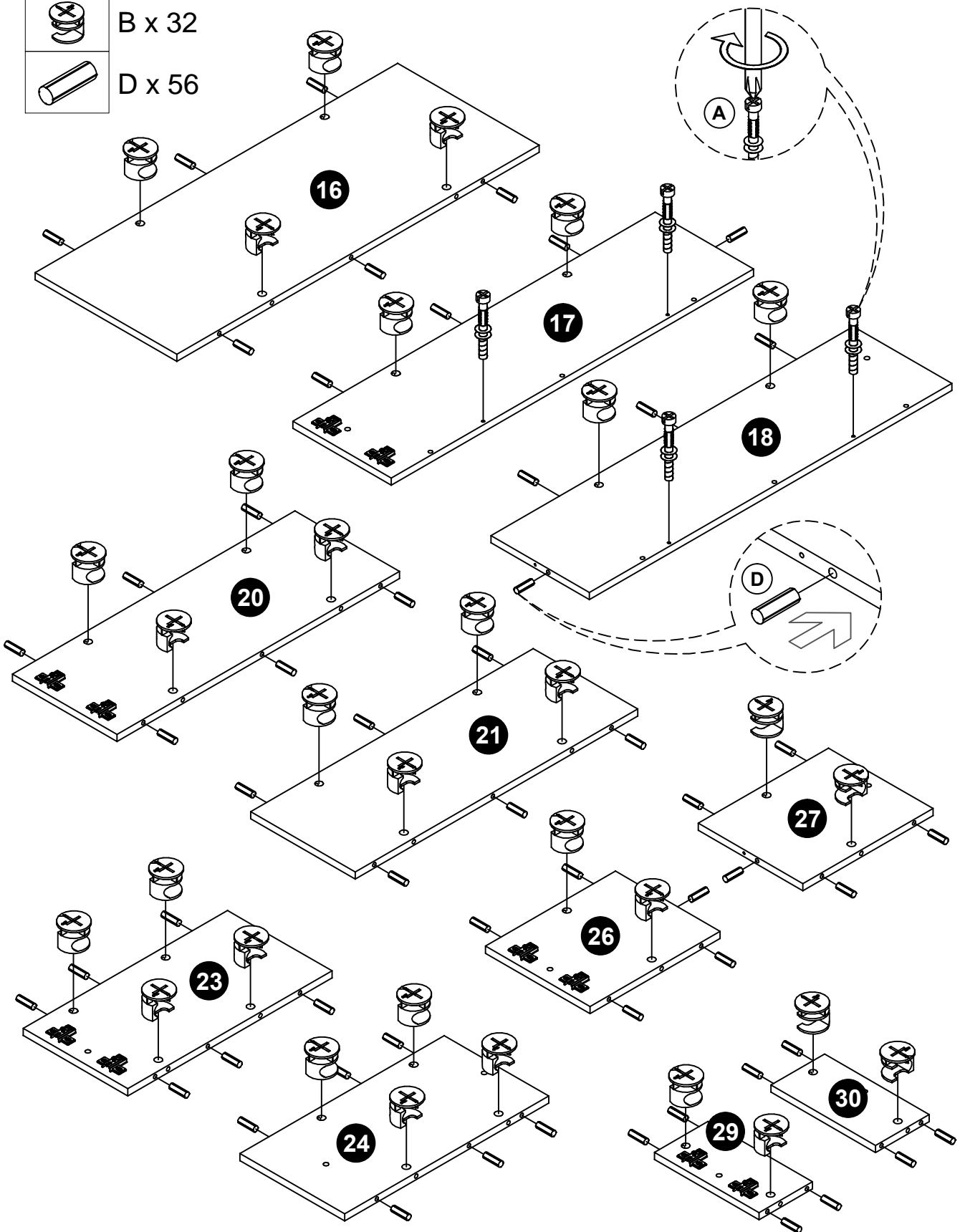
A x 4



B x 32



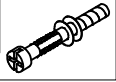
D x 56



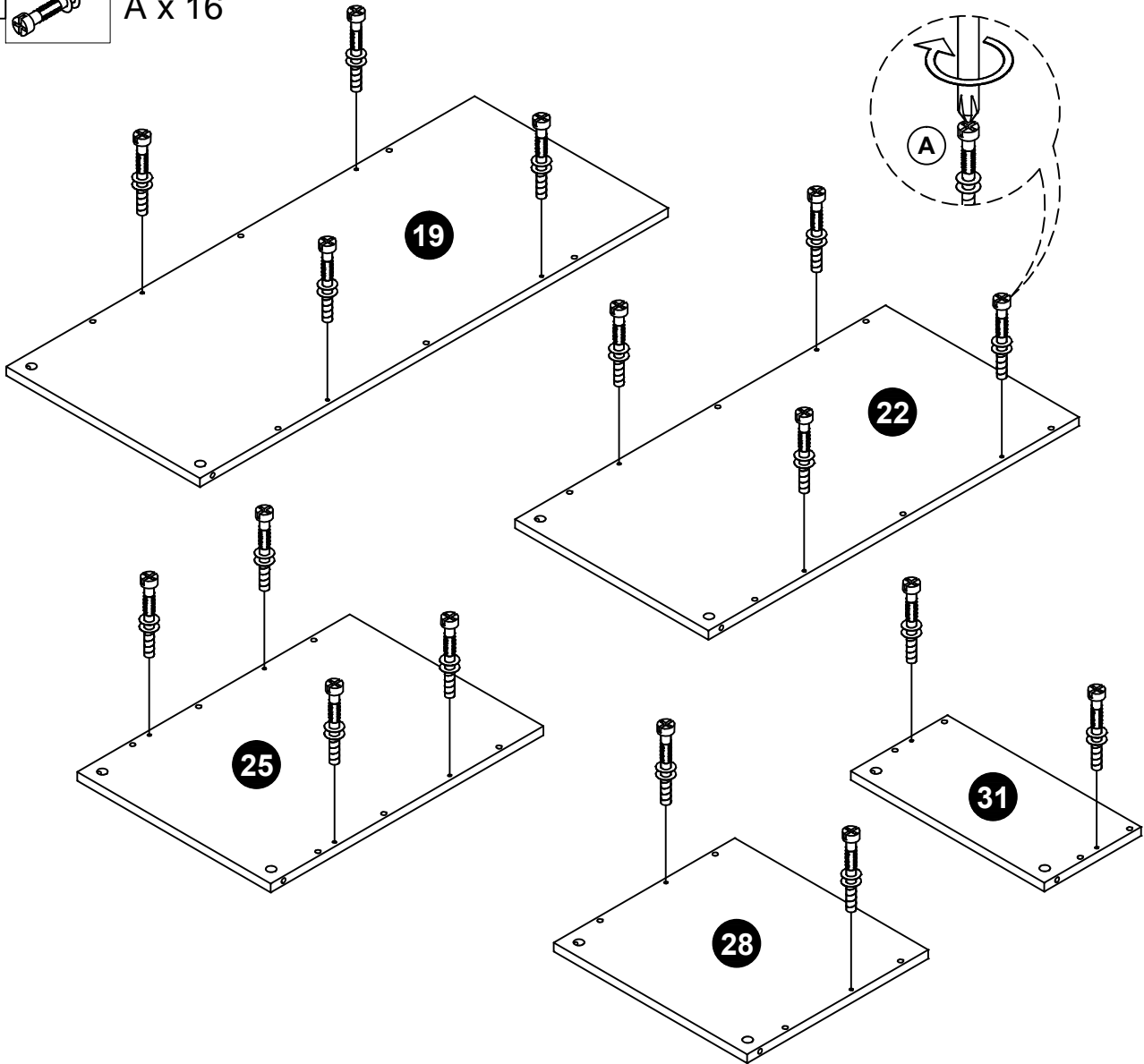
Guide To Assembly

Model : MG 7582 R4

3



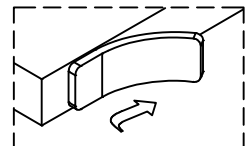
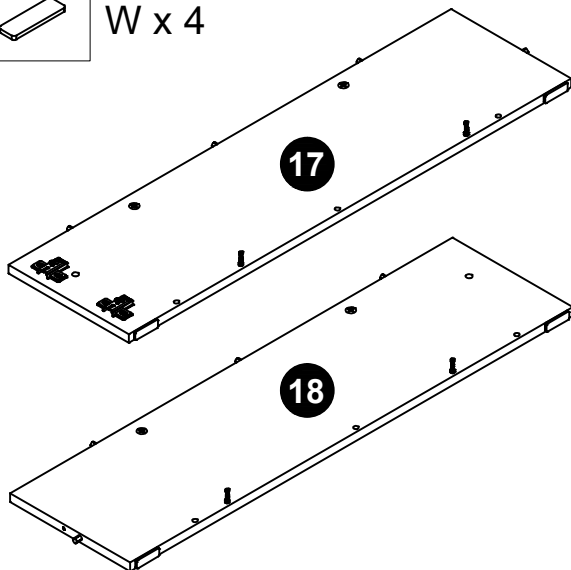
A x 16



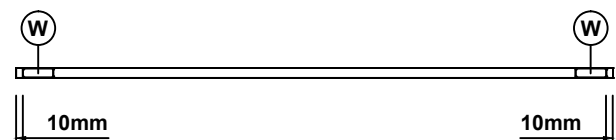
4



W x 4



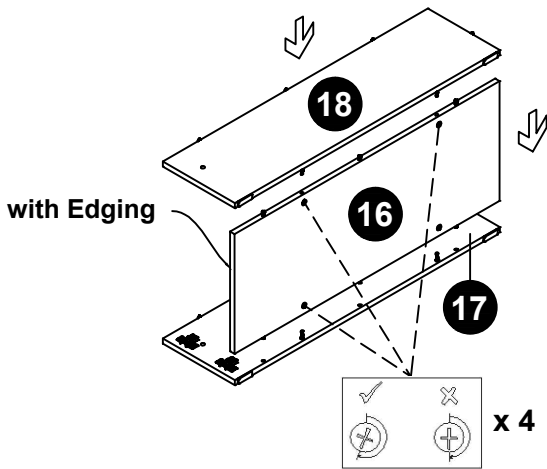
Part 17, 18



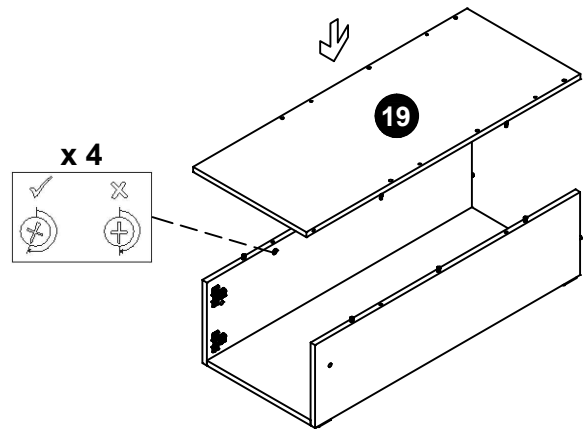
Guide To Assembly

Model : MG 7582 R4

5



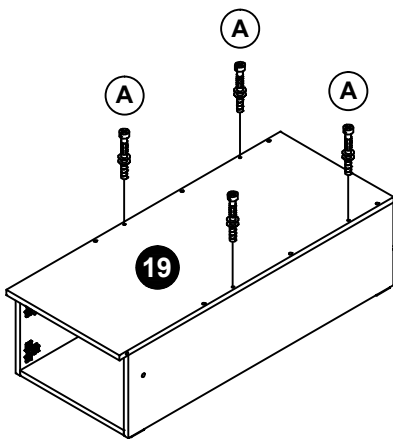
6



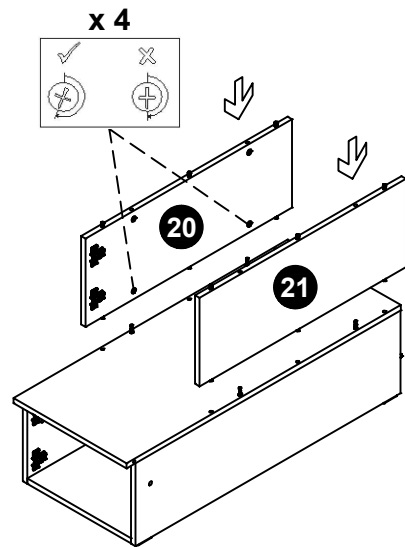
7



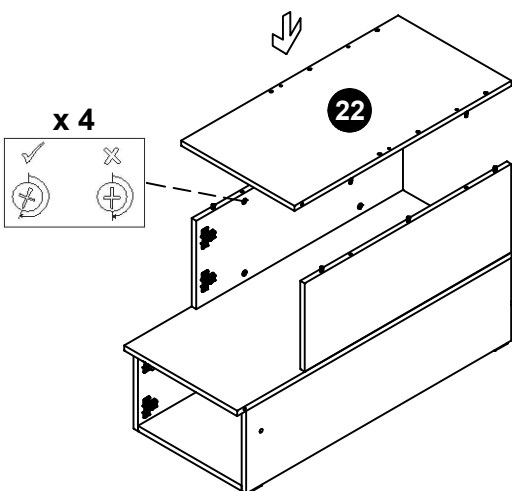
A x 4



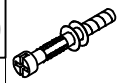
8



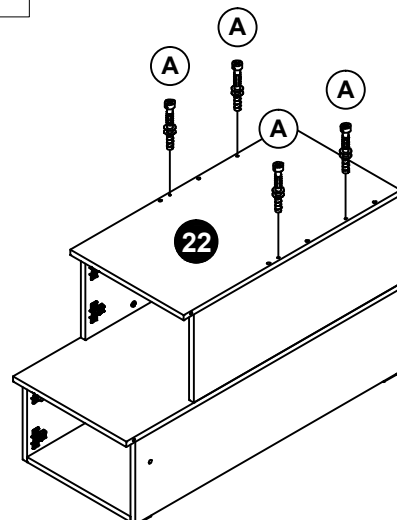
9



10



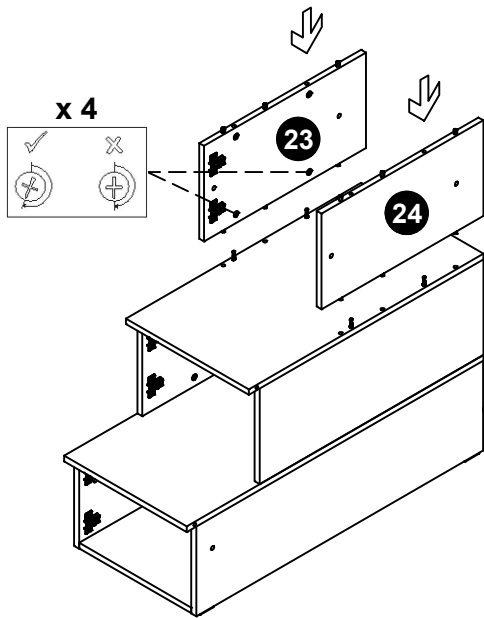
A x 4



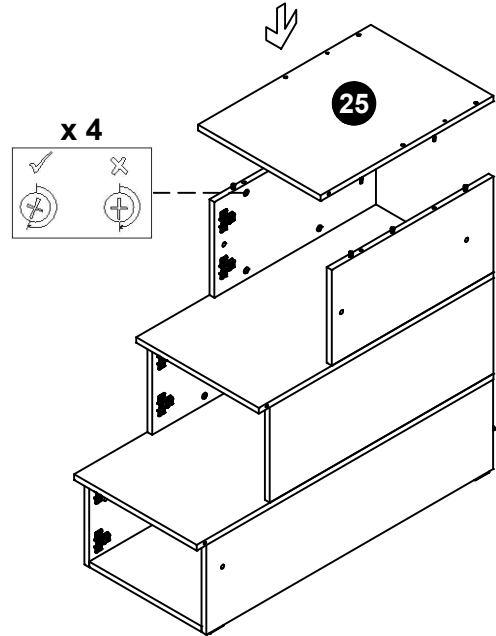
Guide To Assembly

Model : MG 7582 R4

11



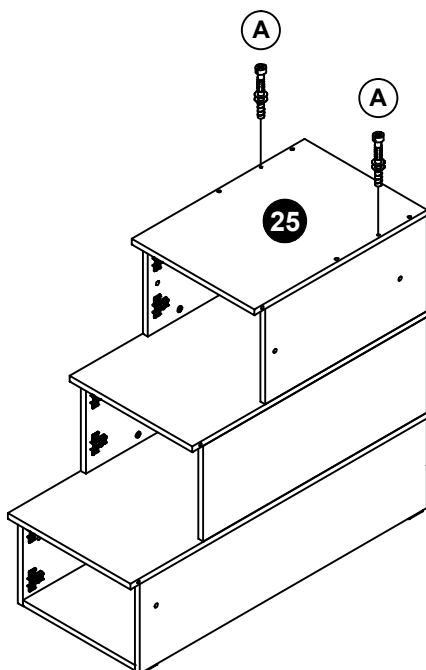
12



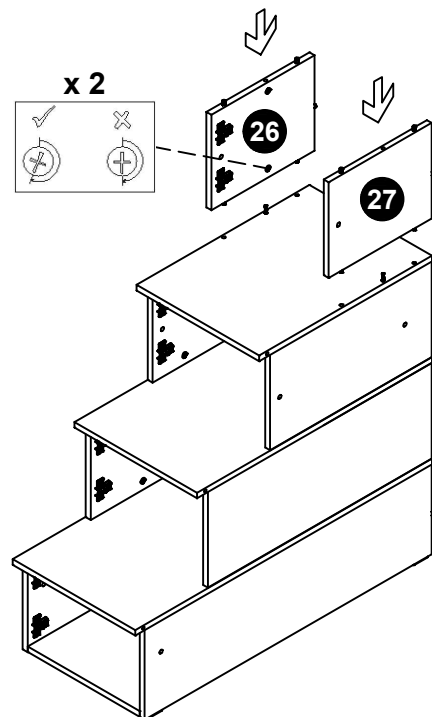
13



A x 2



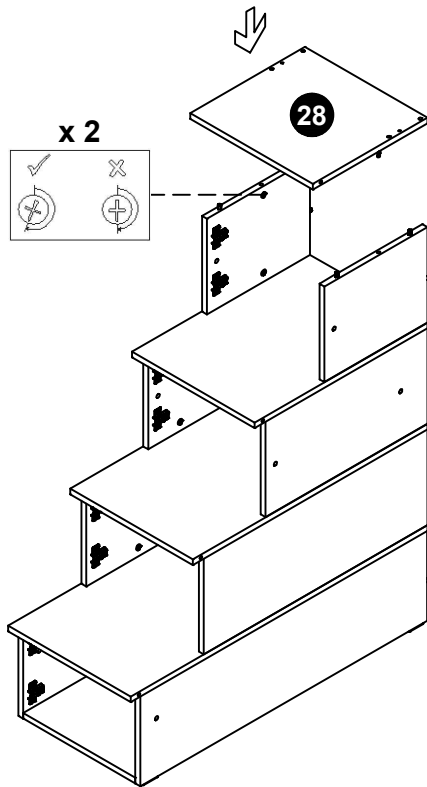
14



Guide To Assembly

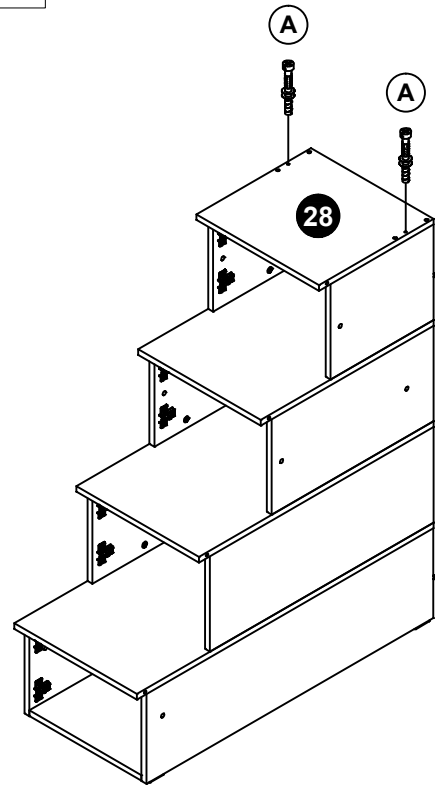
Model : MG 7582 R4

15

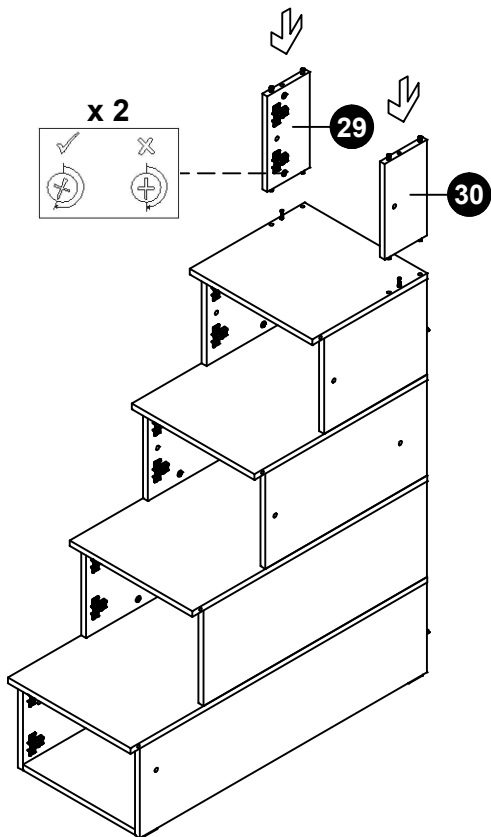


16

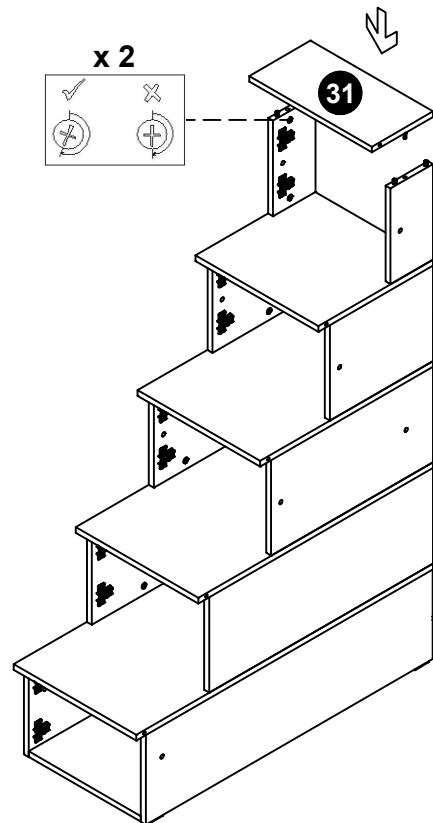
 A x 2



17



18



Guide To Assembly

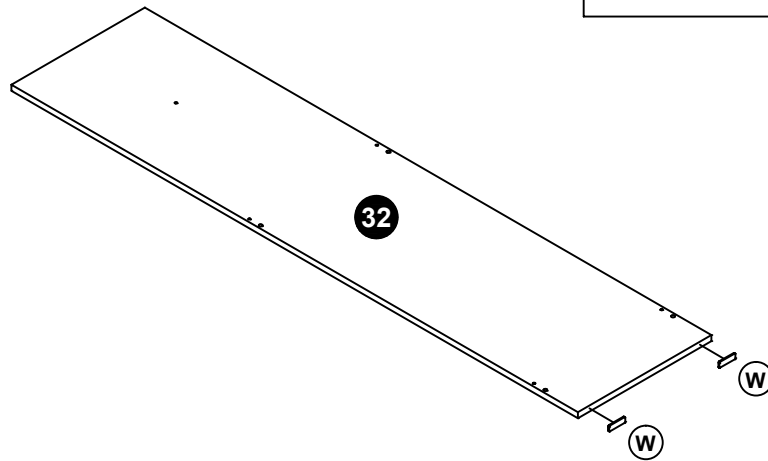
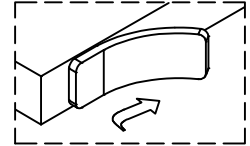
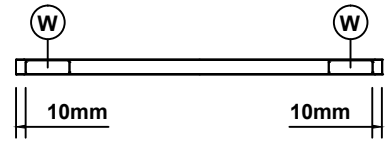
Model : MG 7582 R4

19



W x 2

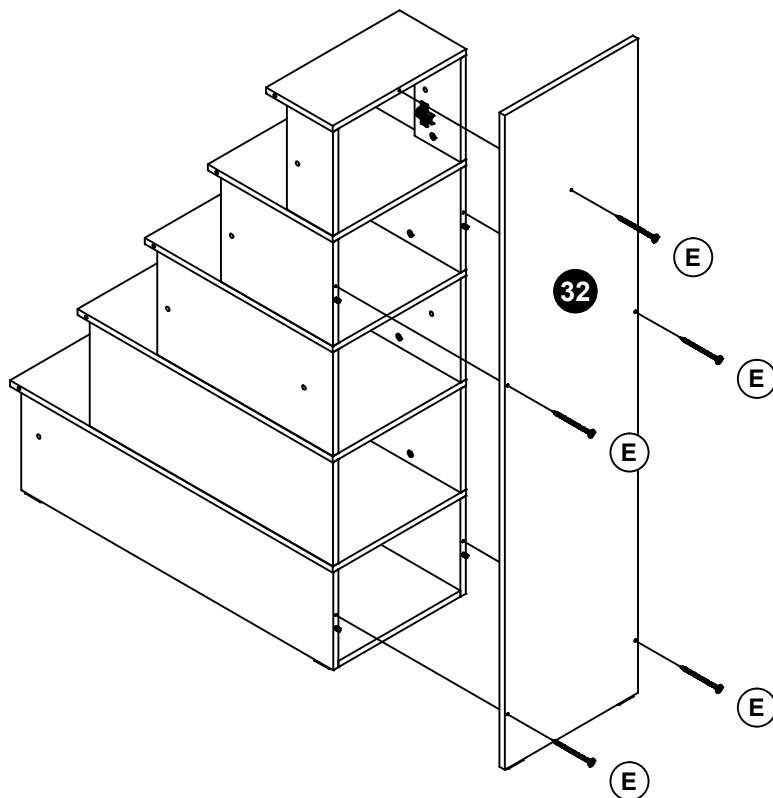
Part 32



20



E x 5



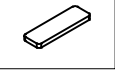
Guide To Assembly

Model : MG 7582 R4

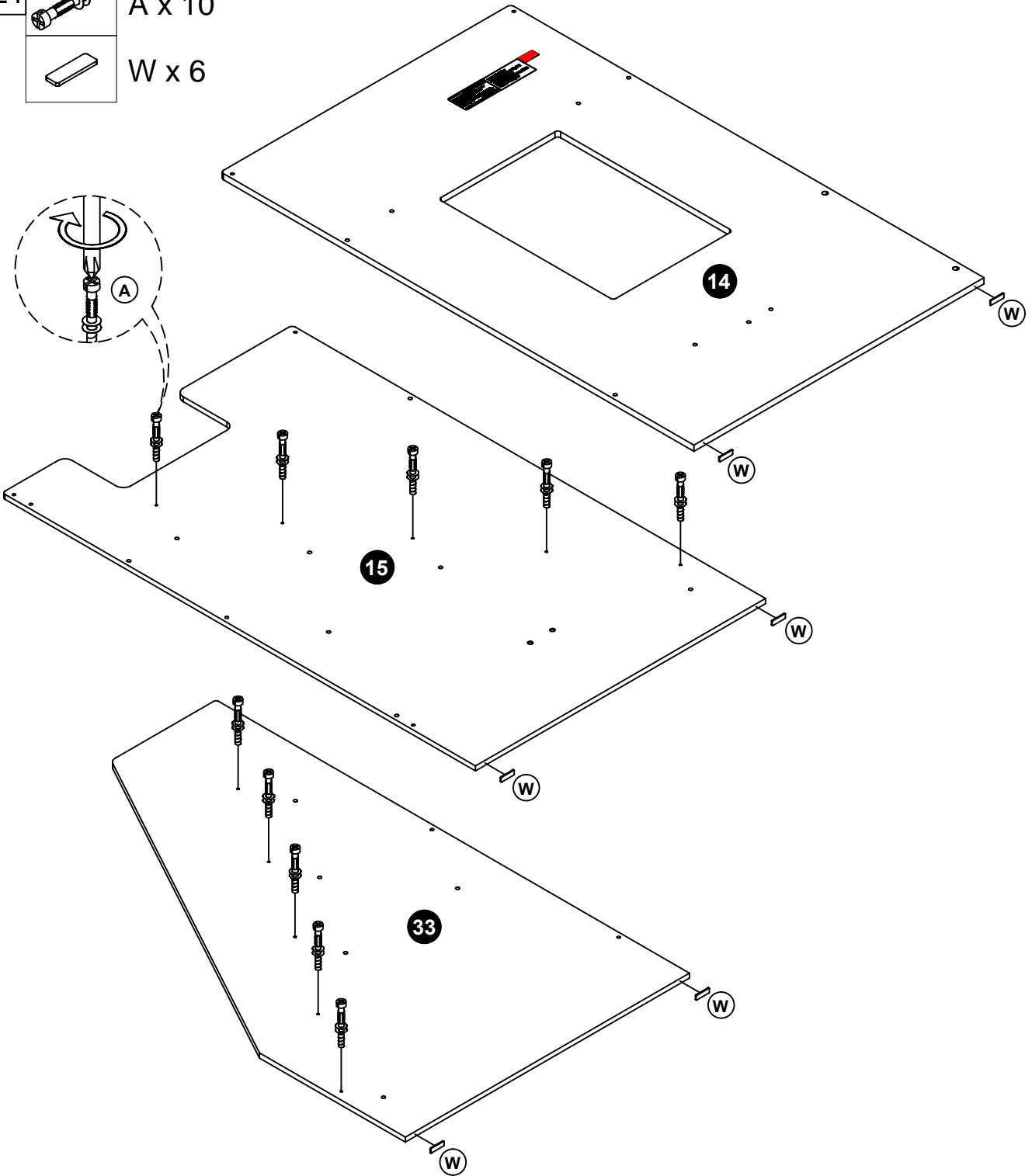
21



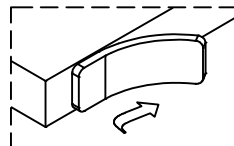
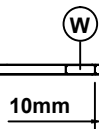
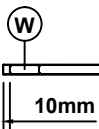
A x 10



W x 6



Part 14 , 15 , 33



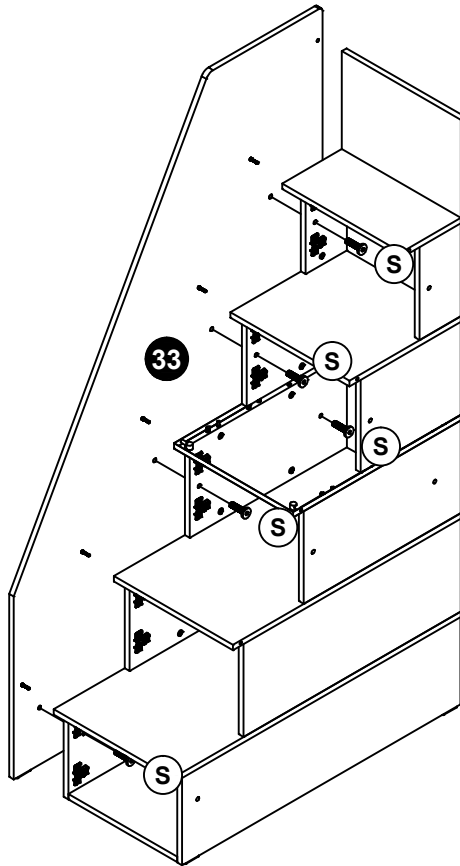
Guide To Assembly

Model : MG 7582 R4

22



S x 5

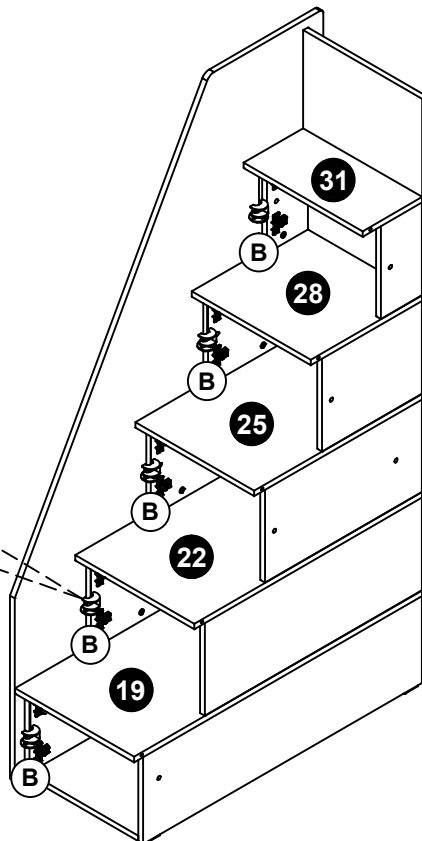
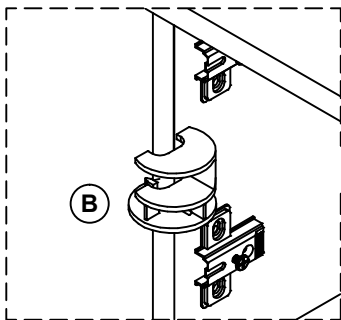
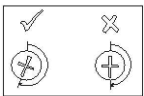


23



B x 5

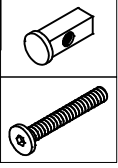
x 5



Guide To Assembly

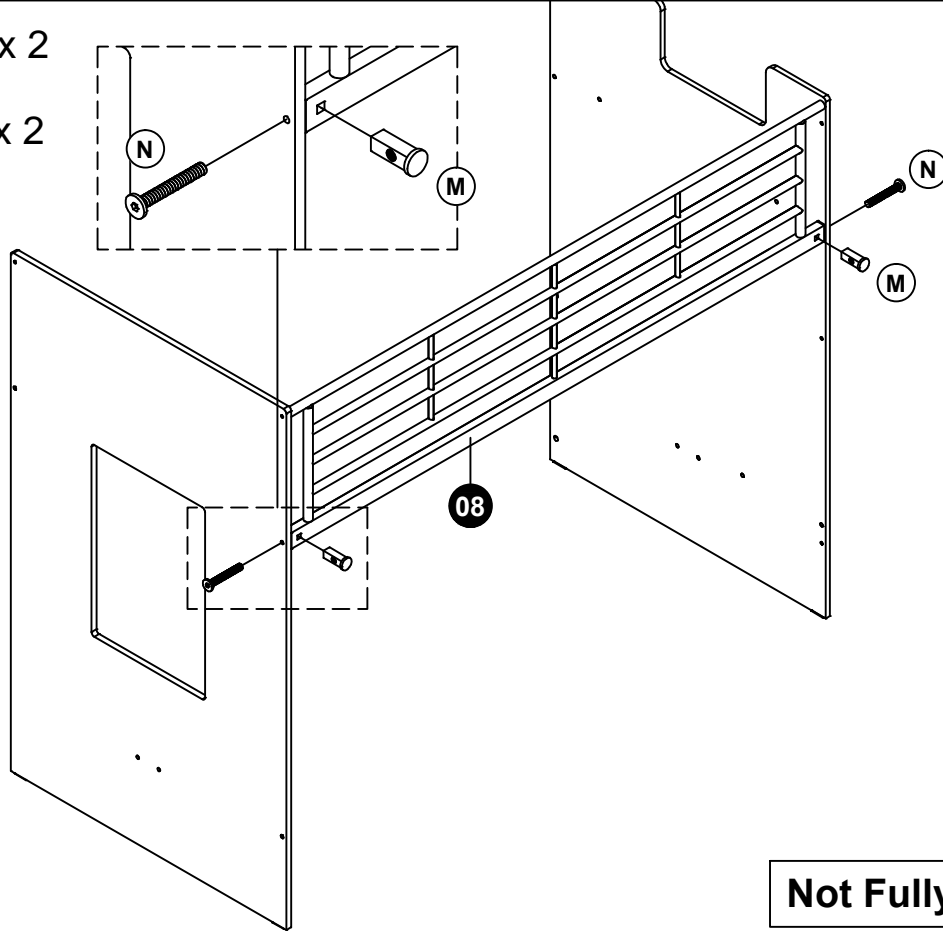
Model : MG 7582 R4

24



M x 2

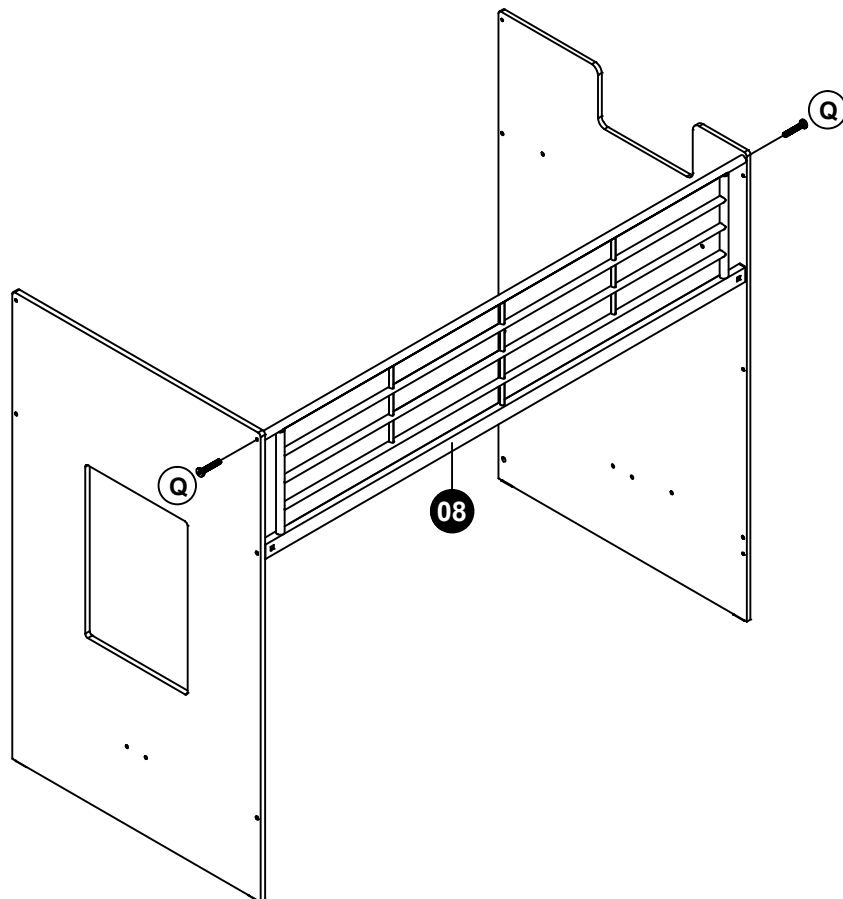
N x 2



25



Q x 2



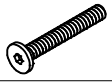
Guide To Assembly

Model : MG 7582 R4

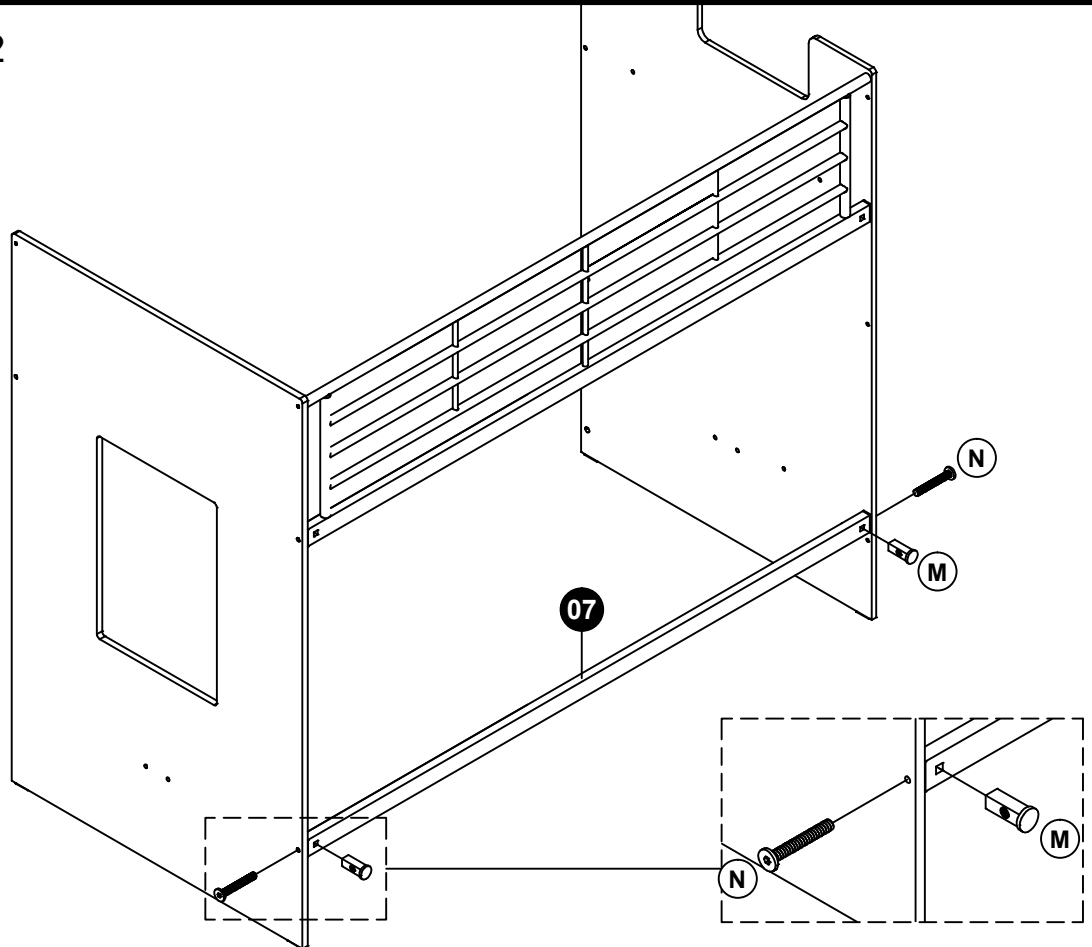
26



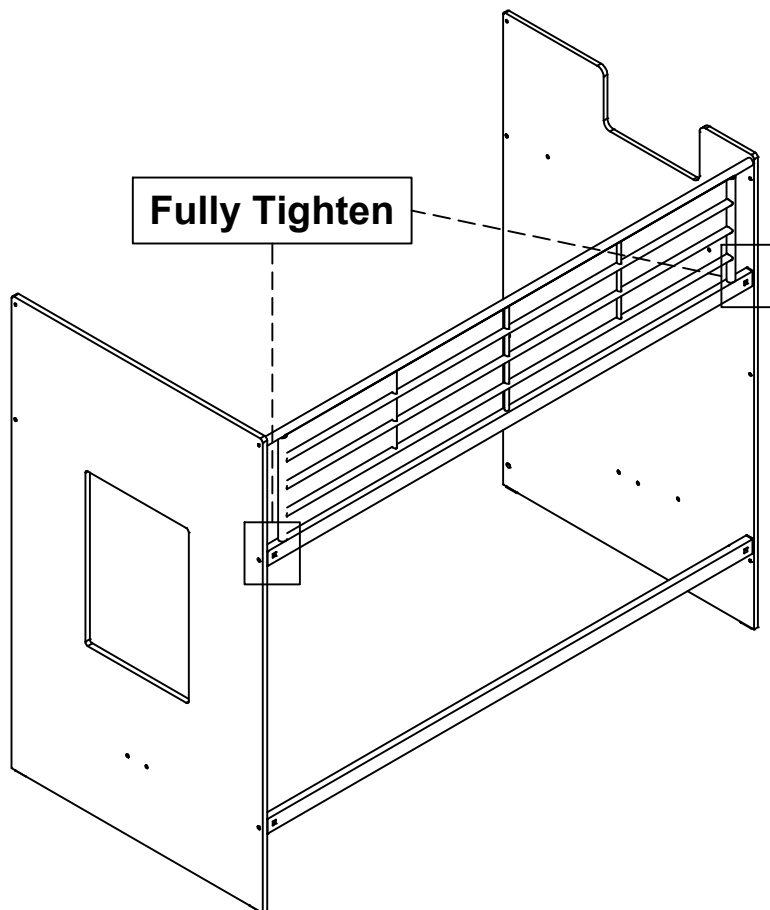
M x 2



N x 2



27



Guide To Assembly

Model : MG 7582 R4

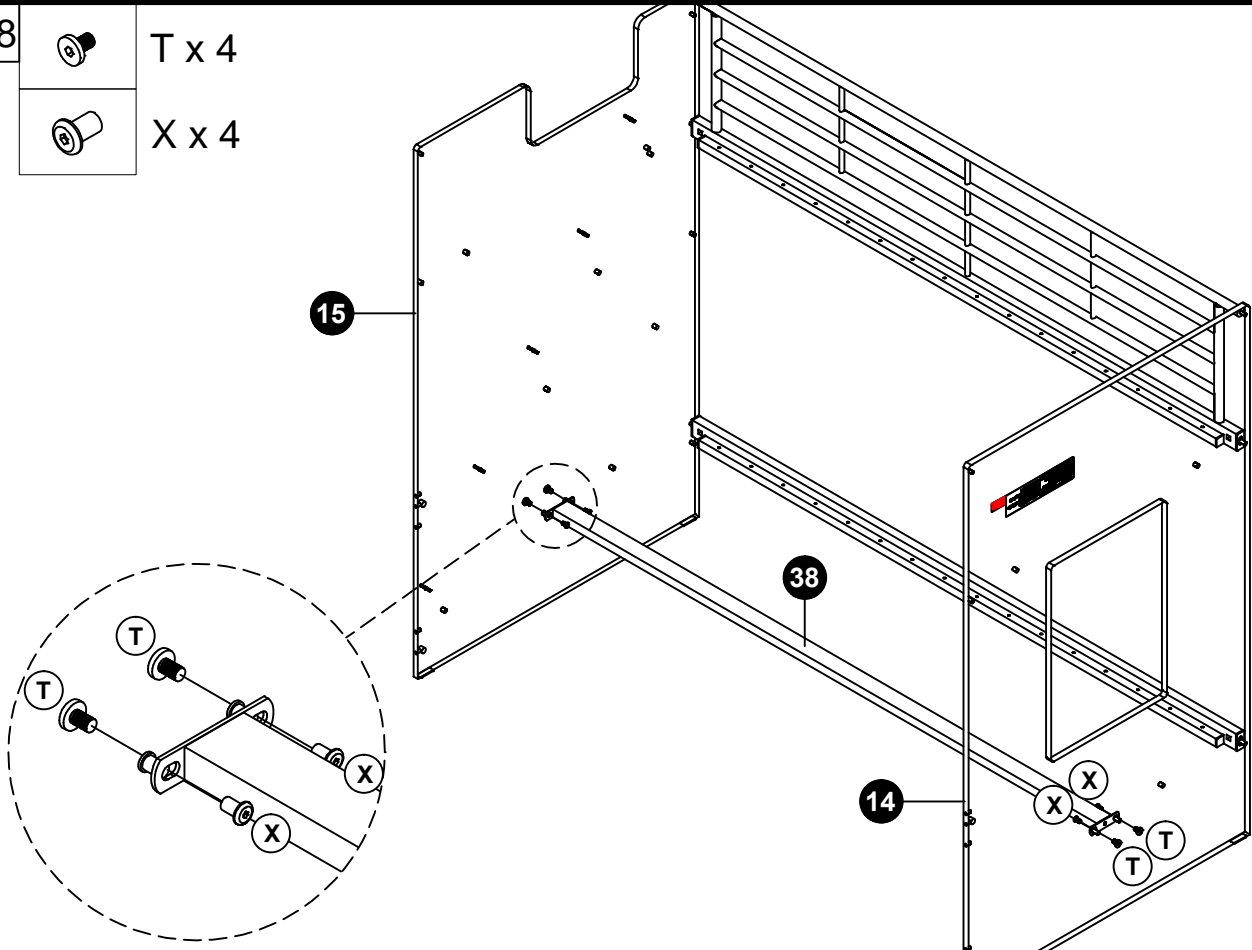
28



T x 4



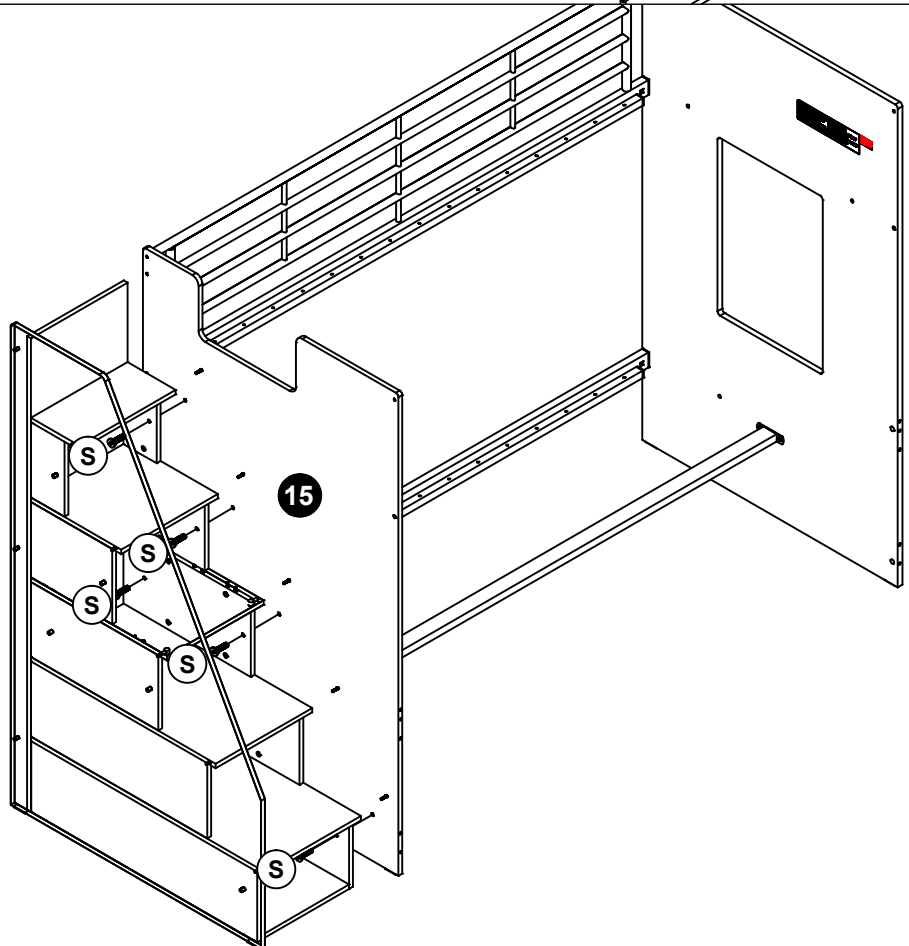
X x 4



29



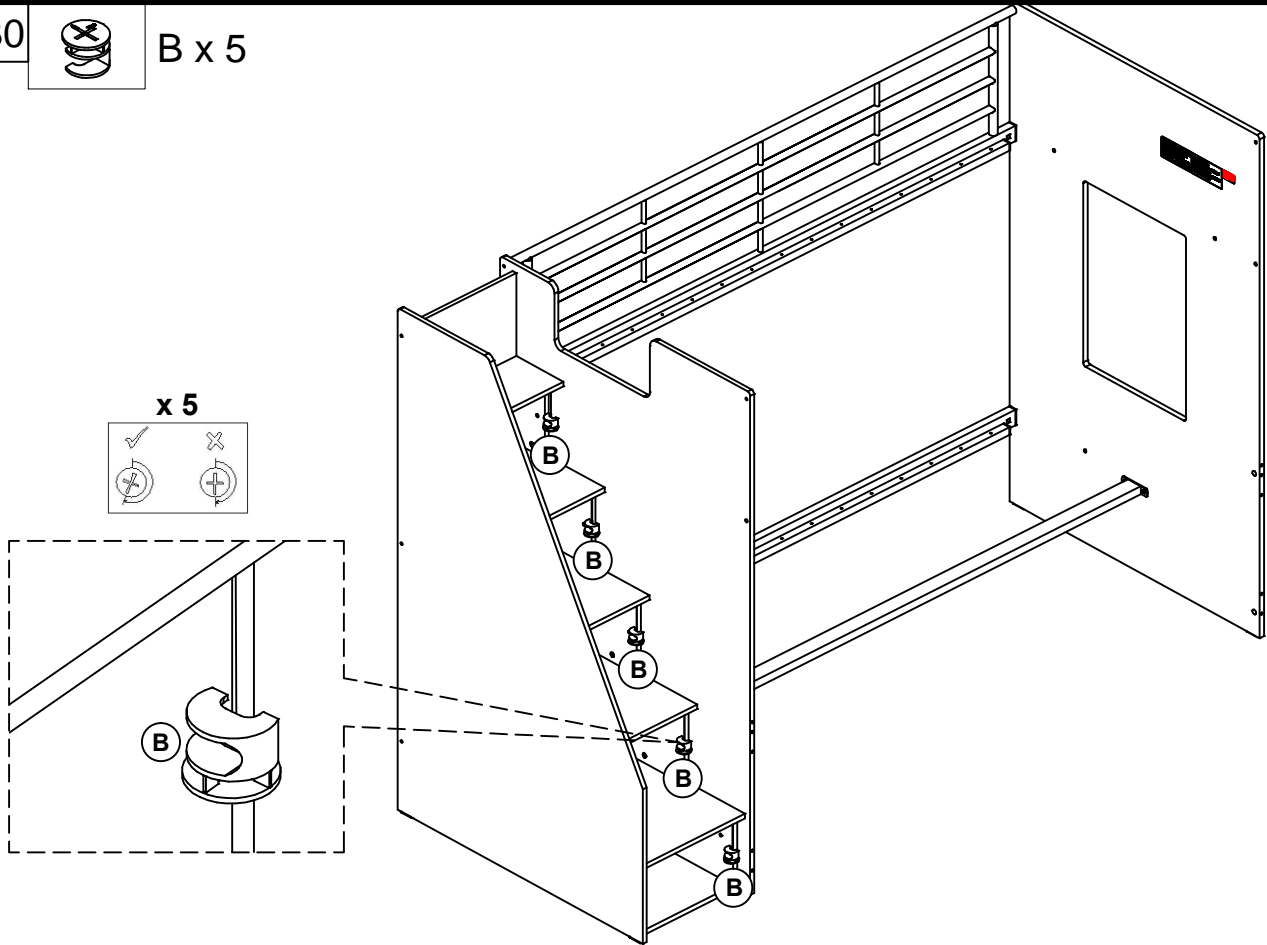
S x 5



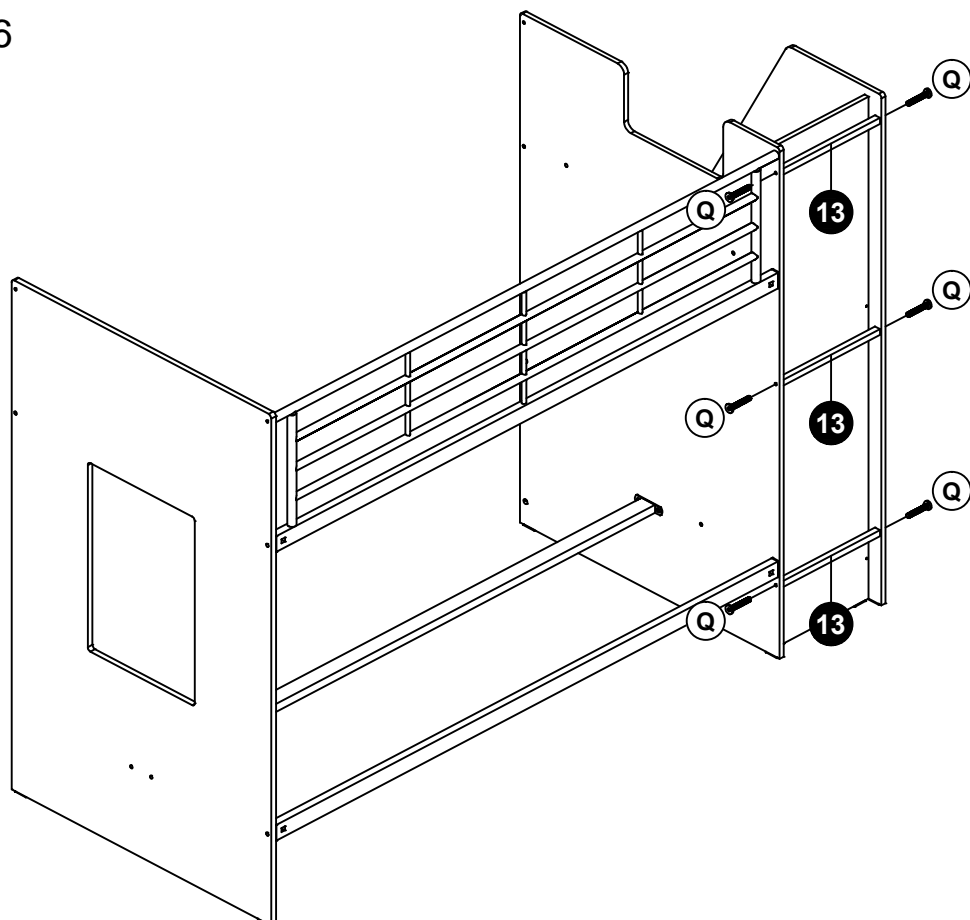
Guide To Assembly

Model : MG 7582 R4

30  B x 5




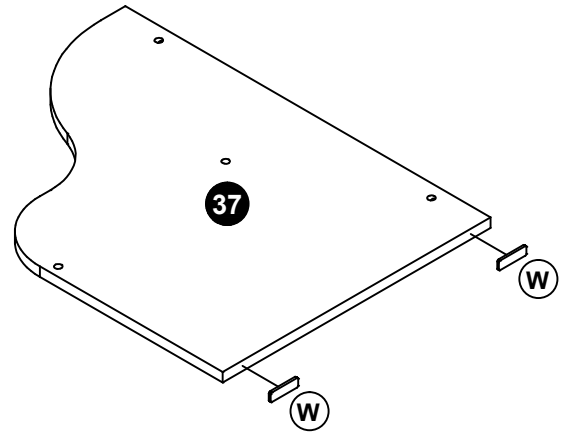
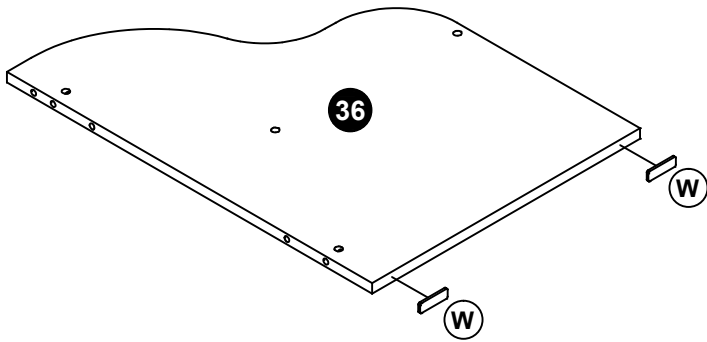
31  Q x 6



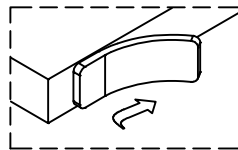
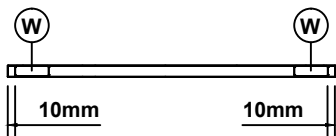
Guide To Assembly

Model : MG 7582 R4

32  W x 4

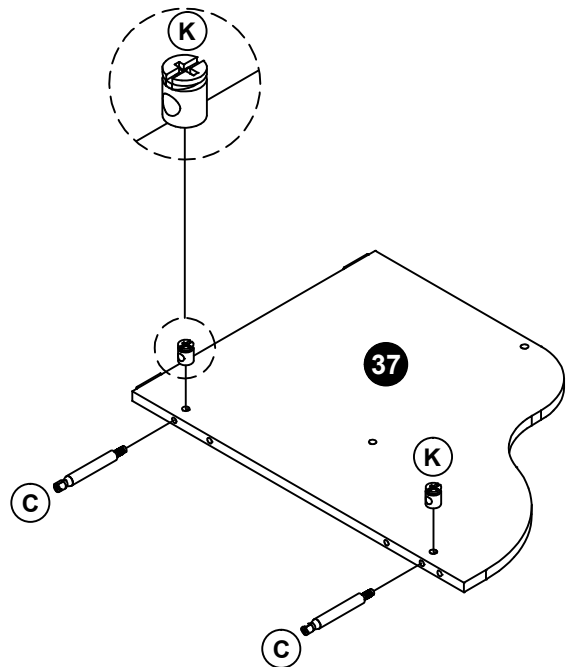
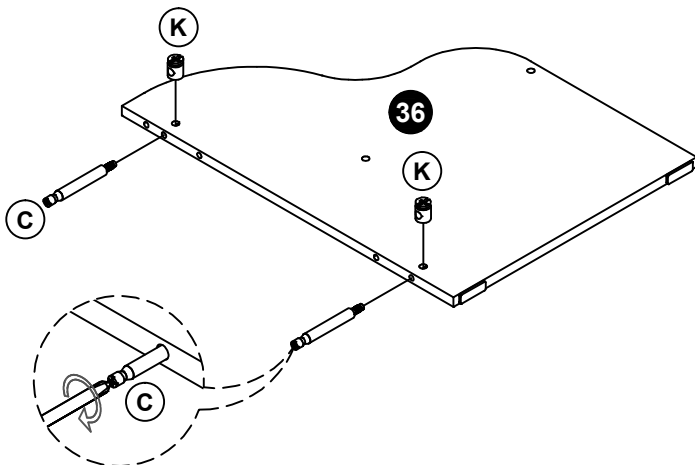


Part 36, 37



33  C x 4

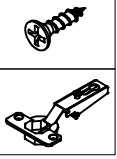
 K x 4



Guide To Assembly

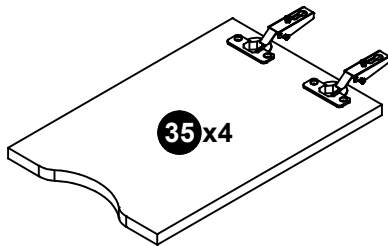
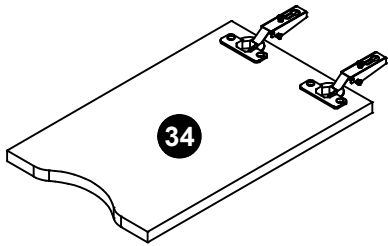
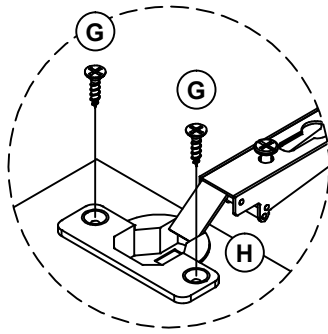
Model : MG 7582 R4

34

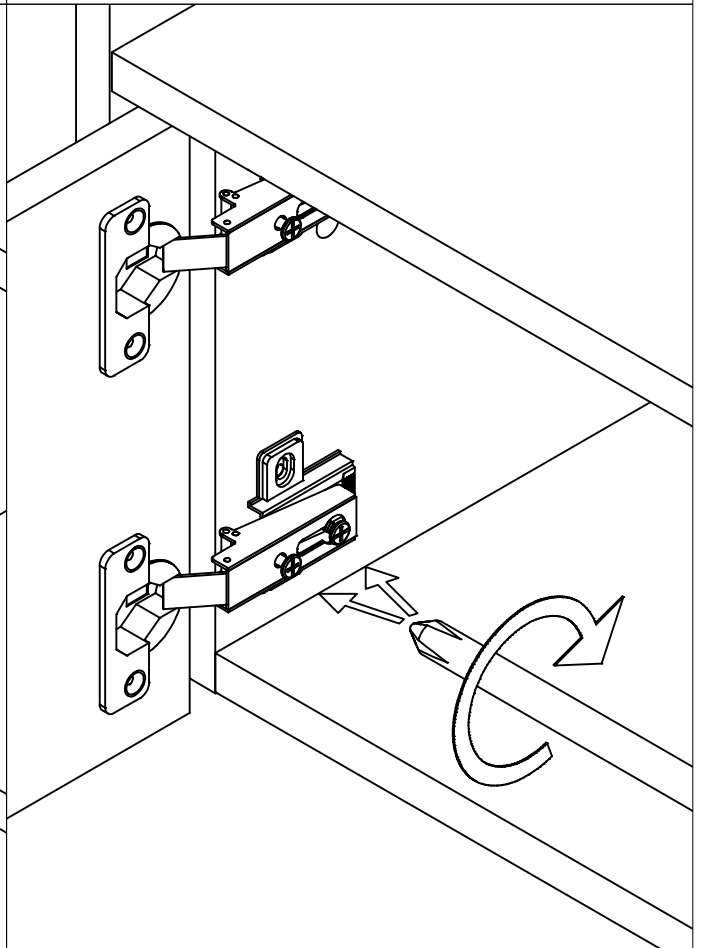
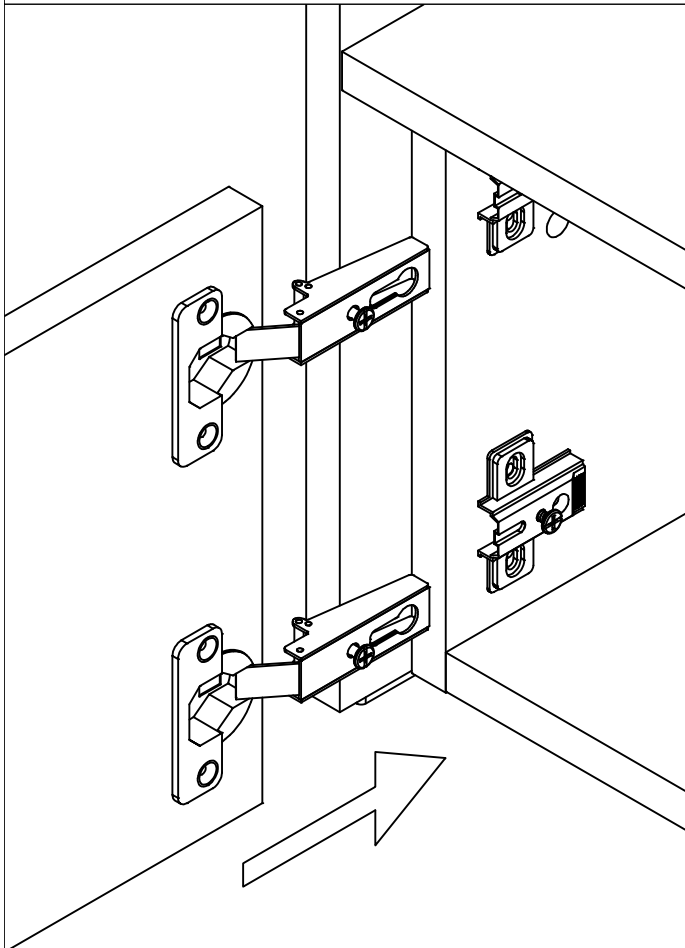
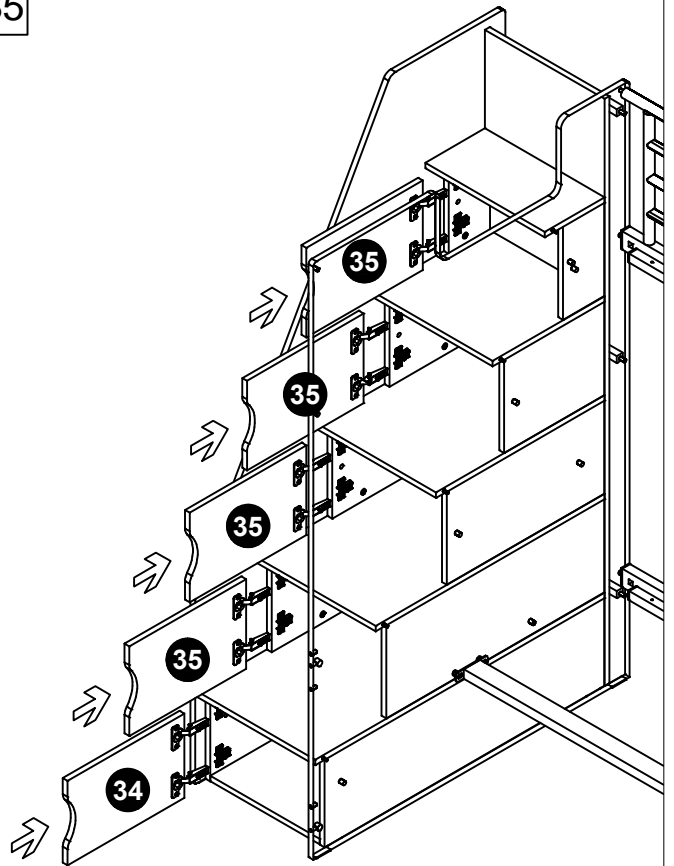


G x 20

H x 10



35



Guide To Assembly

Model : MG 7582 R4

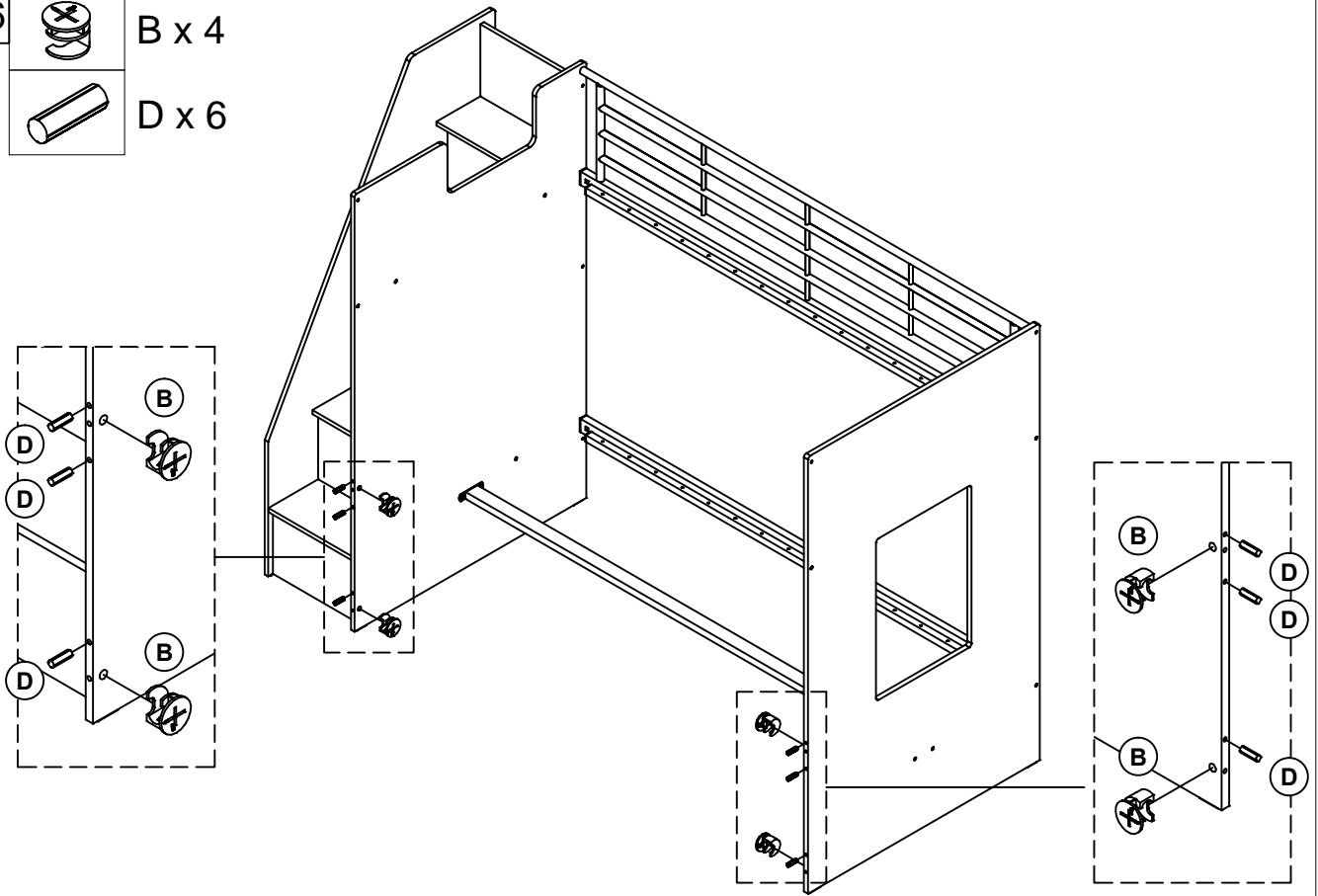
36



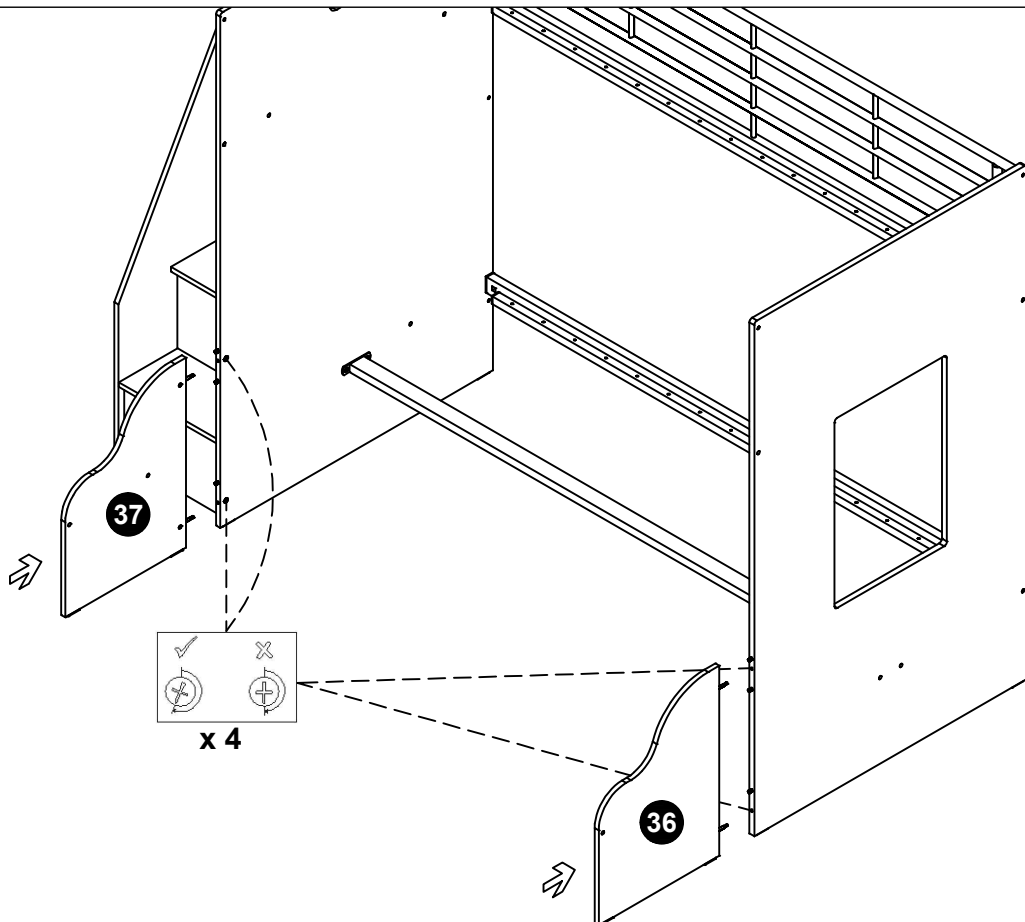
B x 4



D x 6



37



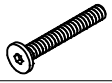
Guide To Assembly

Model : MG 7582 R4

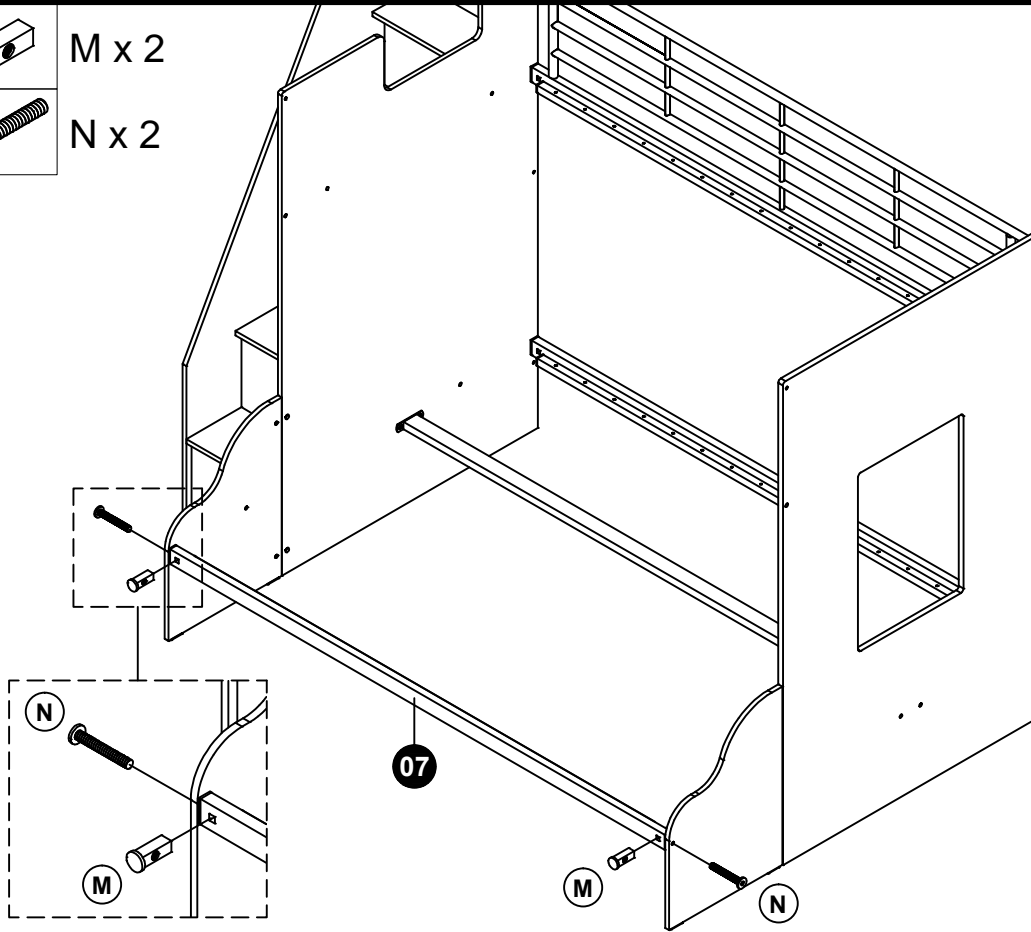
38



M x 2



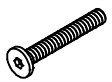
N x 2



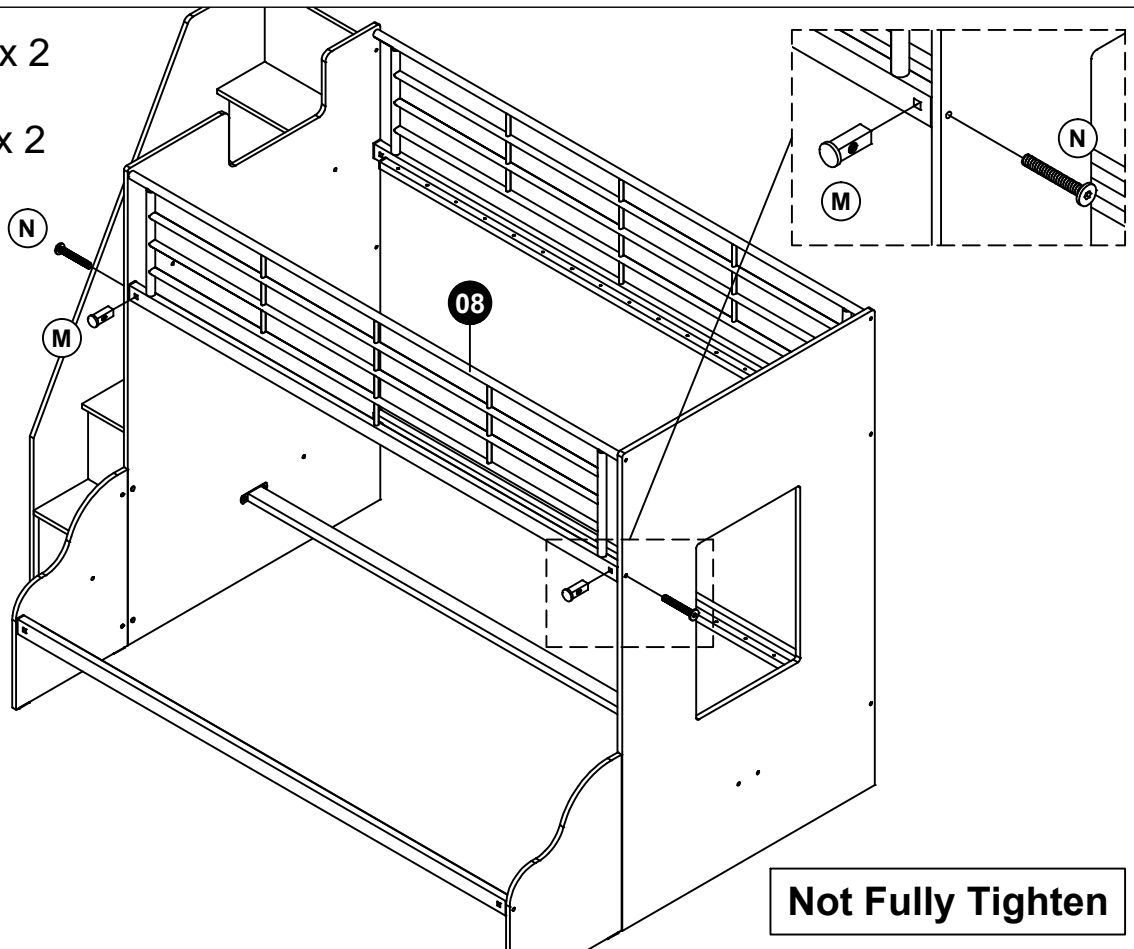
39



M x 2



N x 2



Guide To Assembly

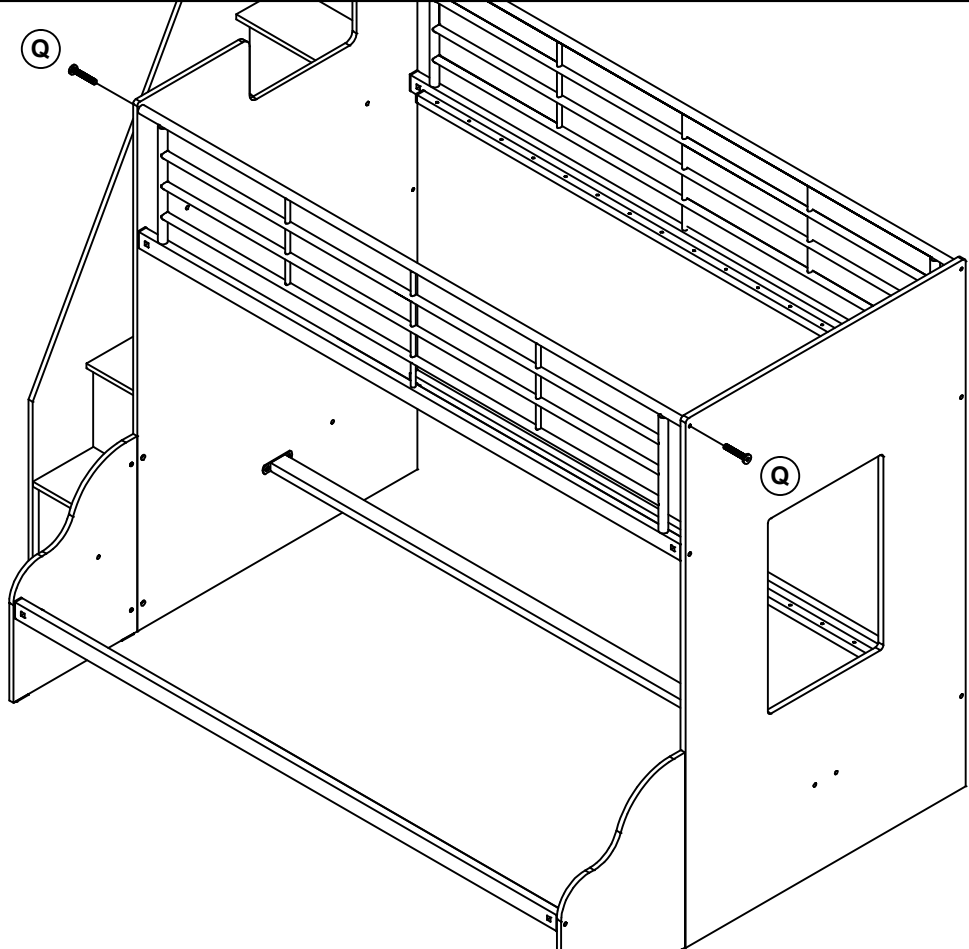
Model : MG 7582 R4

40



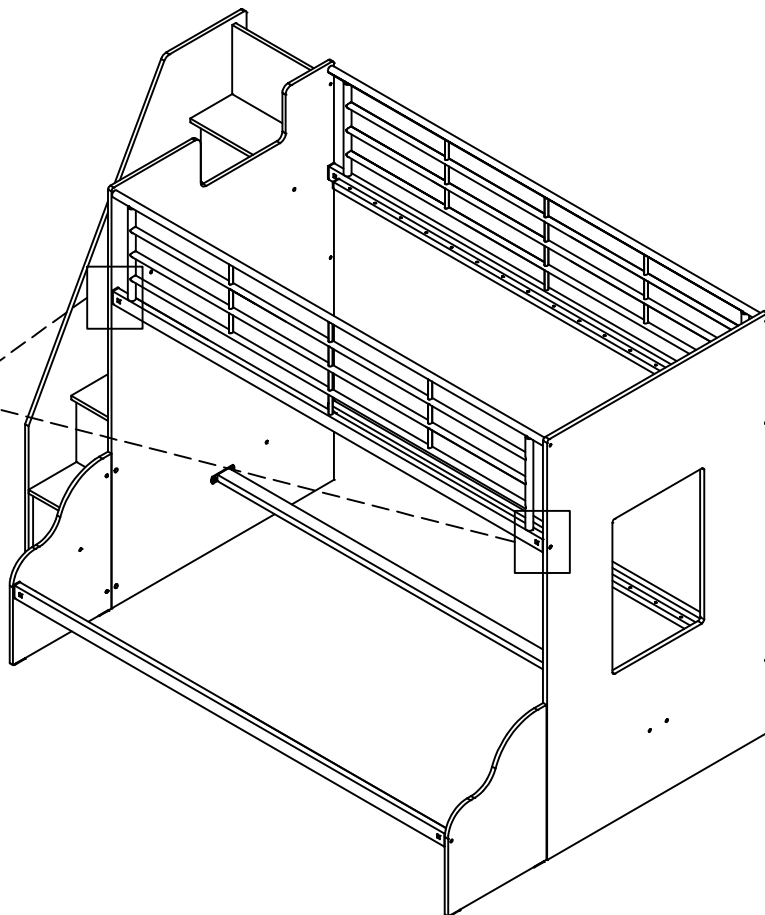
Q x 2

Q



41

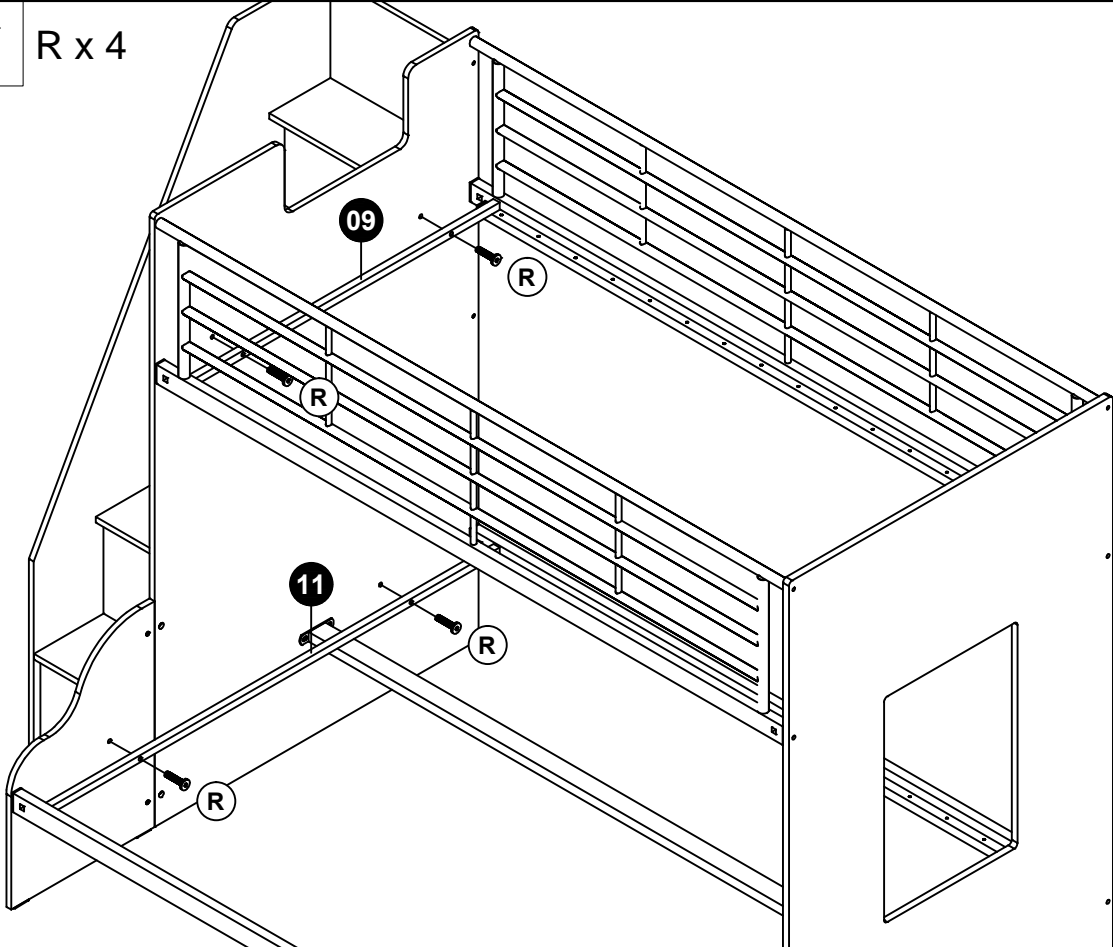
Fully Tighten



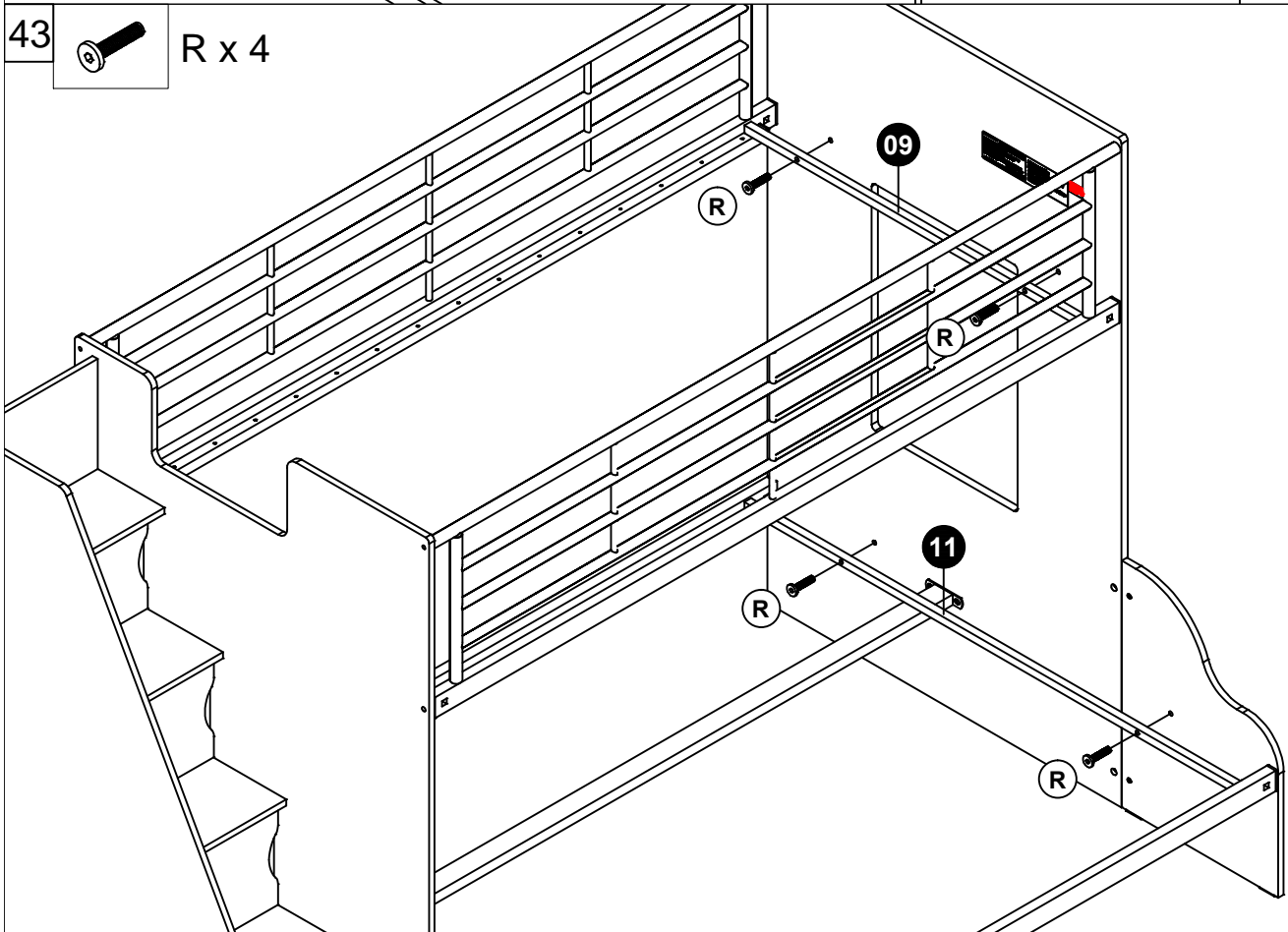
Guide To Assembly

Model : MG 7582 R4

42  R x 4



43  R x 4



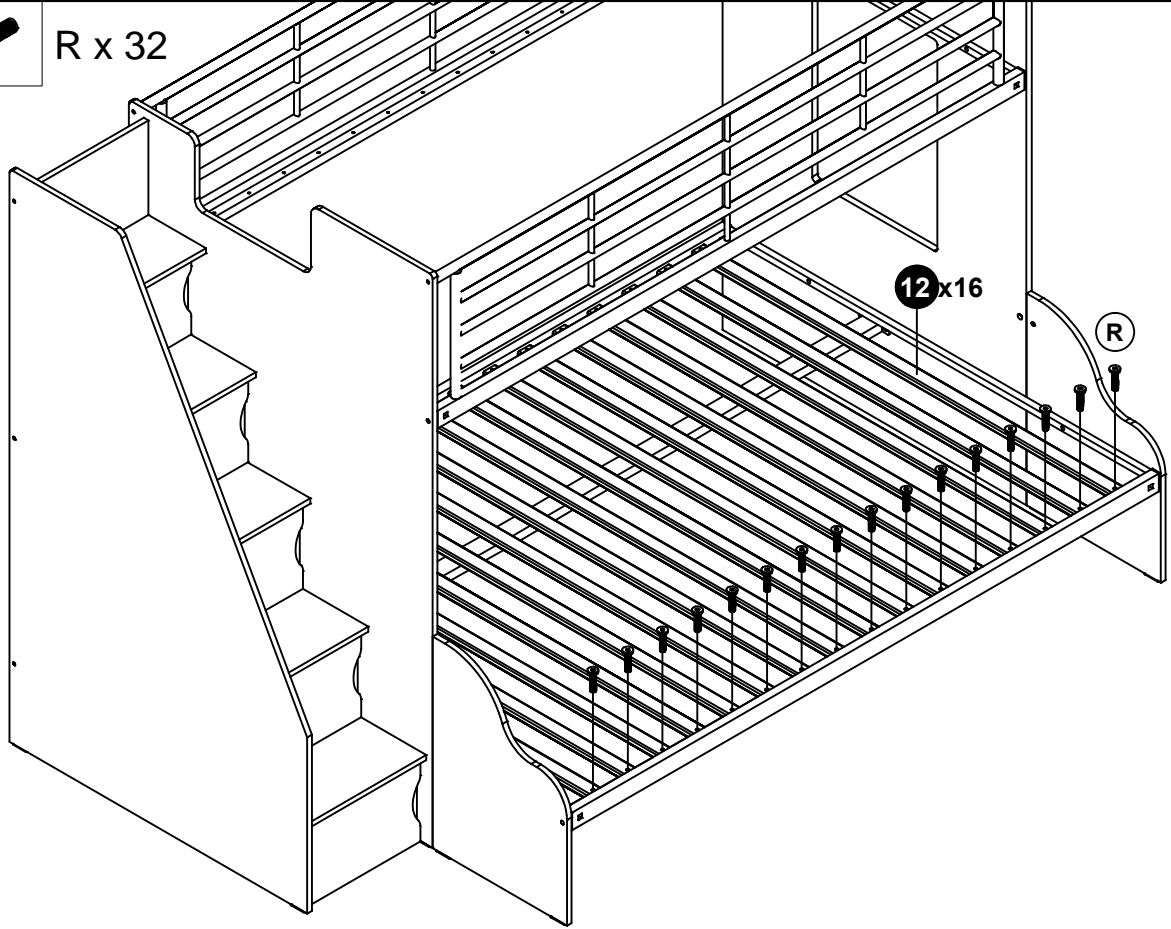
Guide To Assembly

Model : MG 7582 R4

44



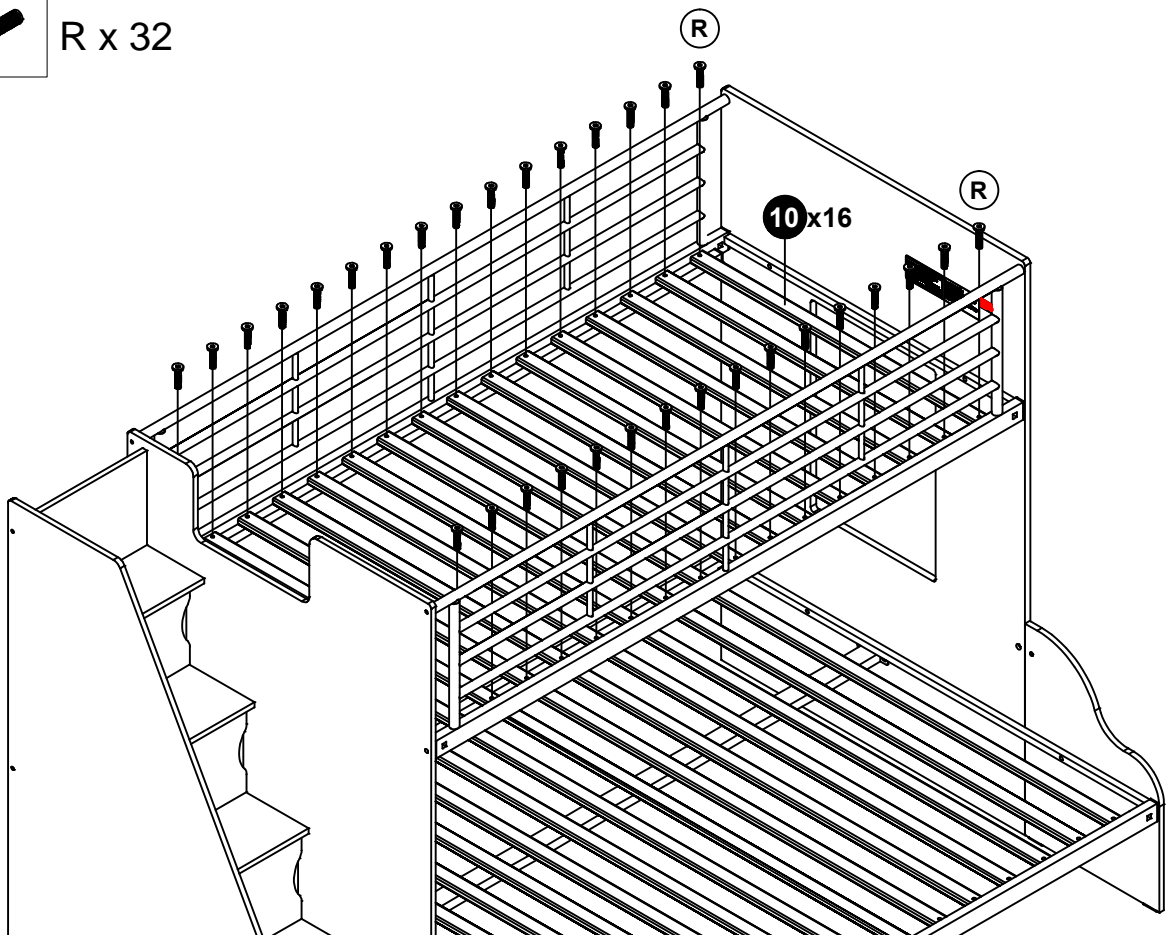
R x 32



45



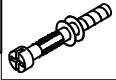
R x 32



Guide To Assembly

Model : MG 7582 R4

46



A x 3



K x 3



B x 6



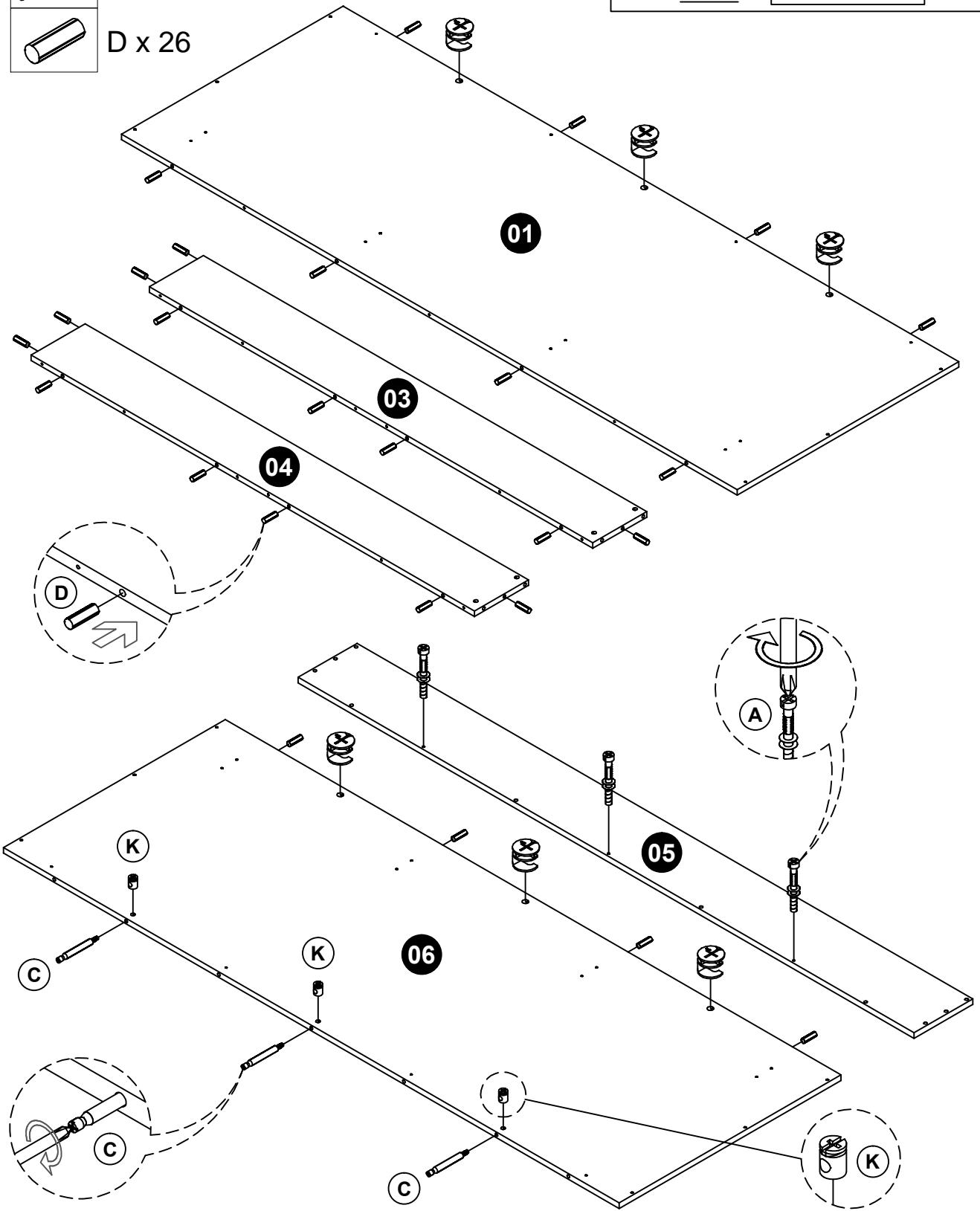
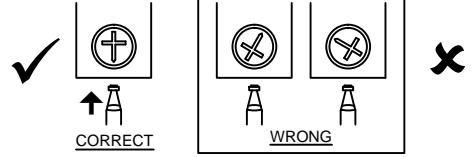
C x 3



D x 26

WHEN FITTING CAMS

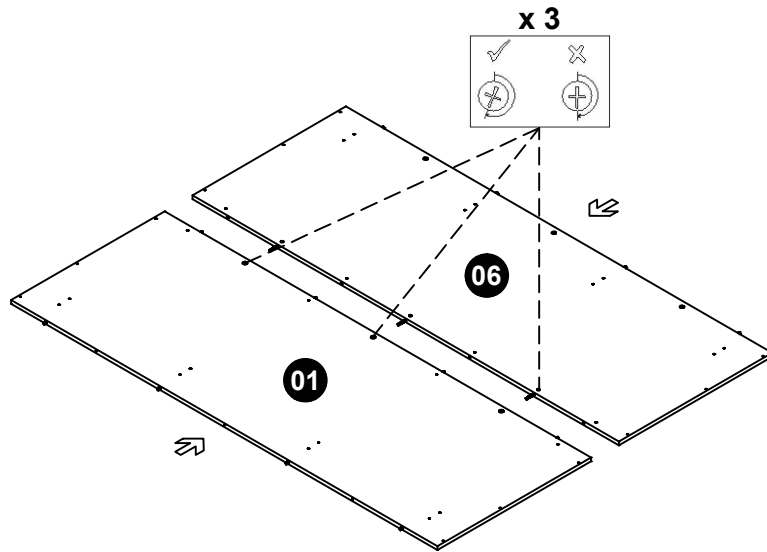
ENSURE STARTING POSITION IS CORRECT
BEFORE YOU INSERT CONNECTING BOLT
TURN CLOCKWISE UNTIL SECURE



Guide To Assembly

Model : MG 7582 R4

47



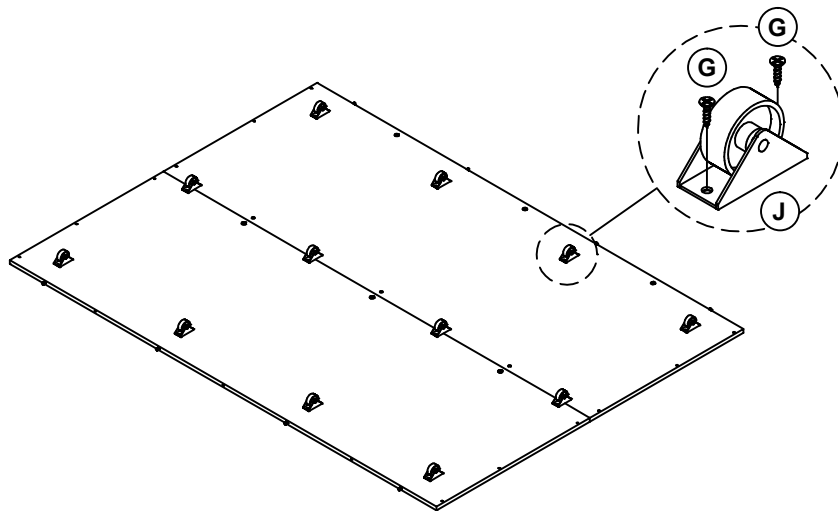
48



G x 24



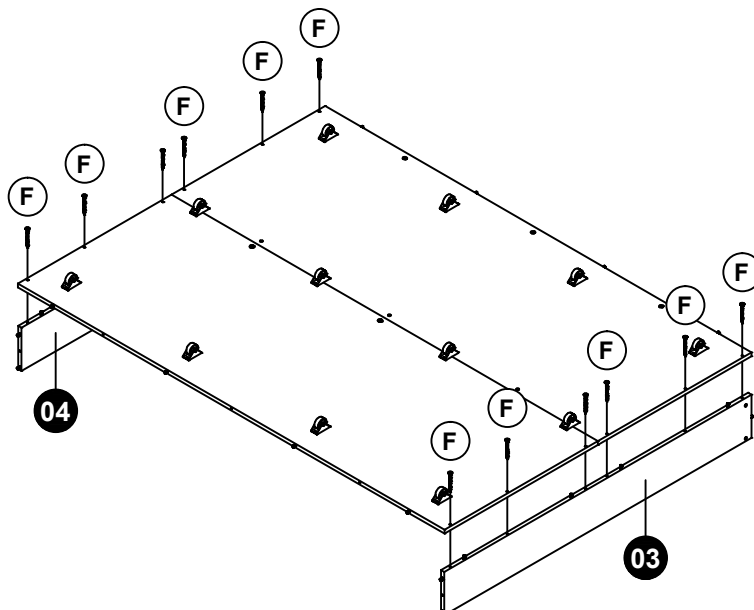
J x 12



49



F x 12



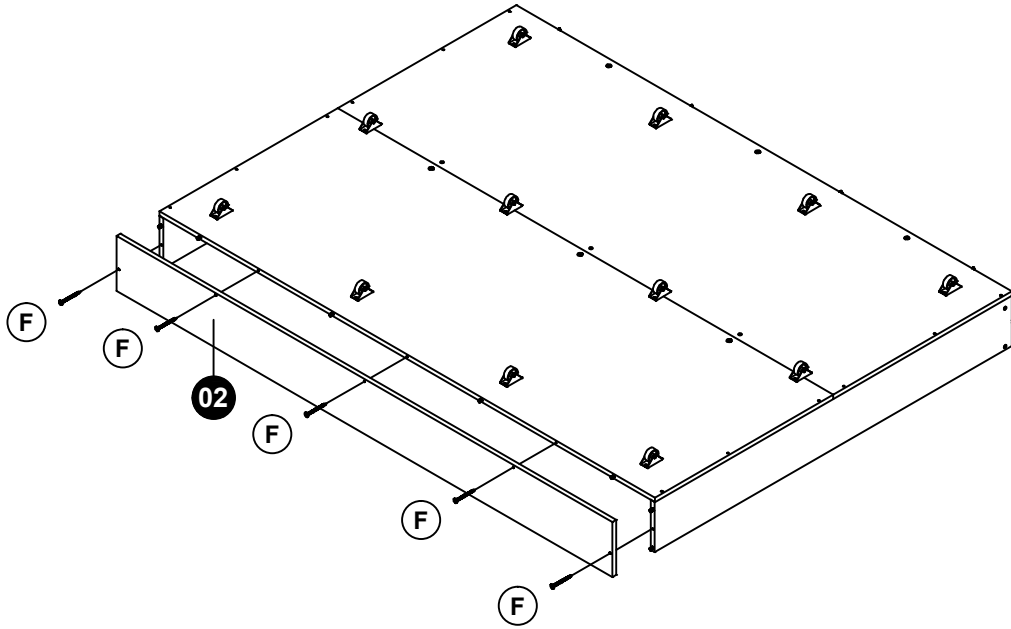
Guide To Assembly

Model : MG 7582 R4

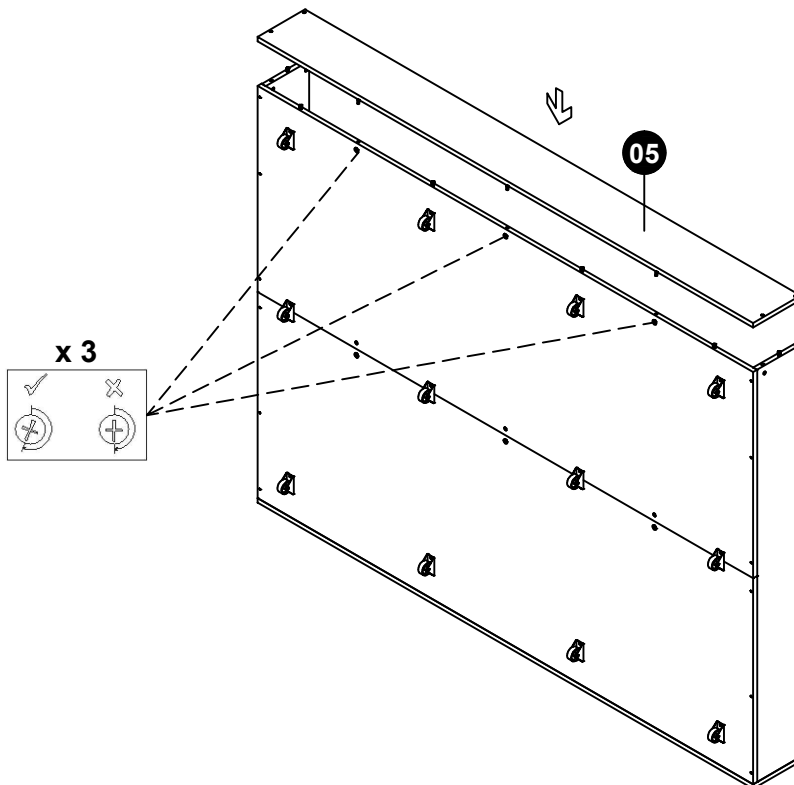
50



F x 5



51



Guide To Assembly

Model : MG 7582 R4

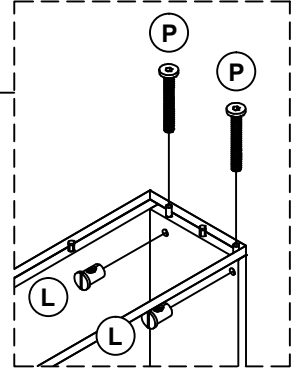
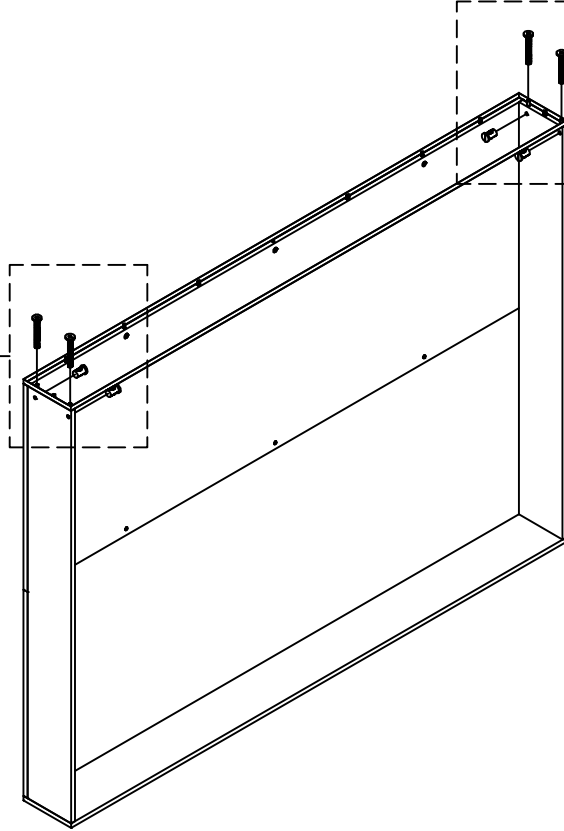
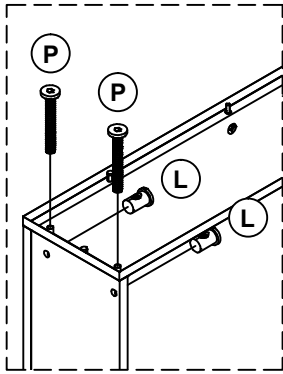
52



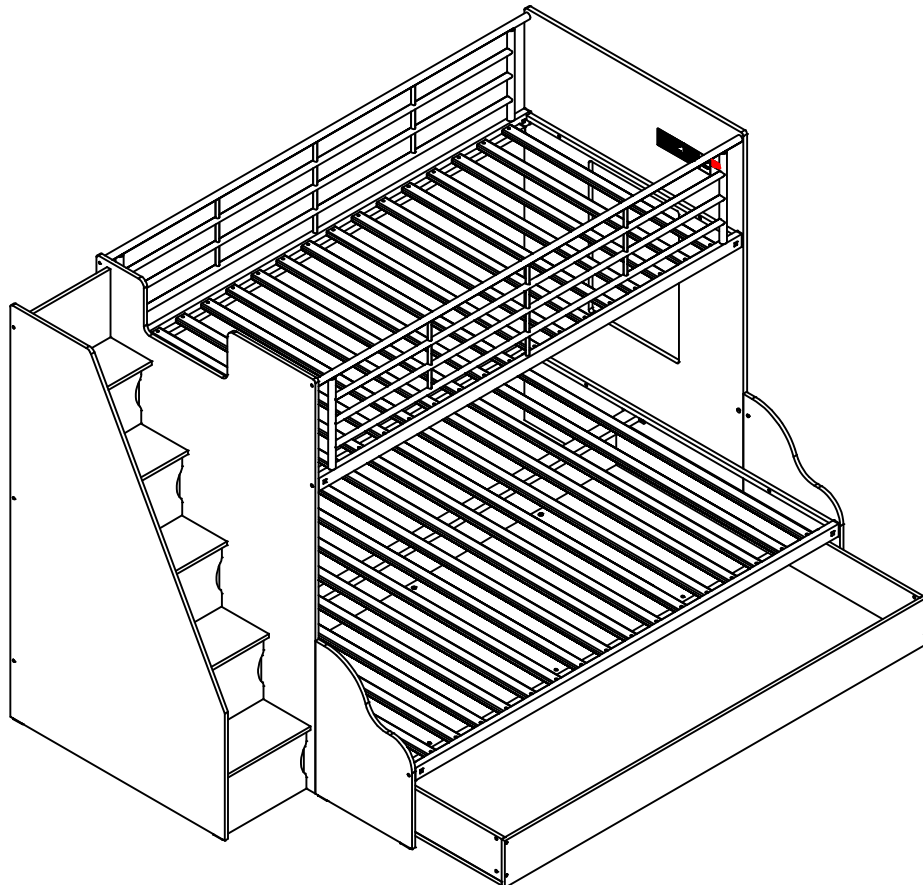
L x 4



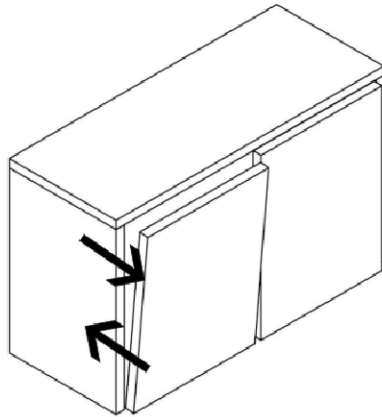
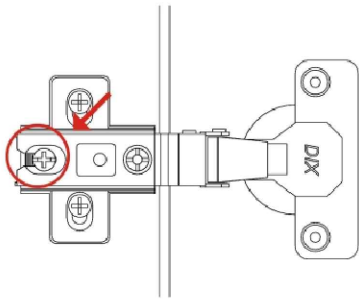
P x 4



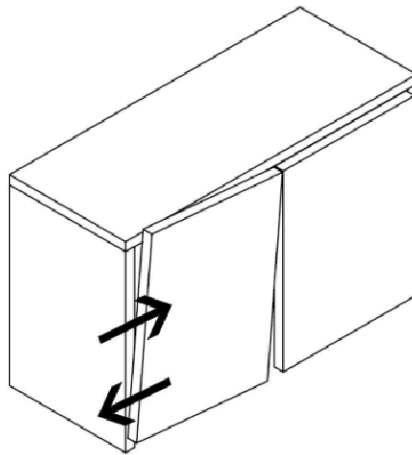
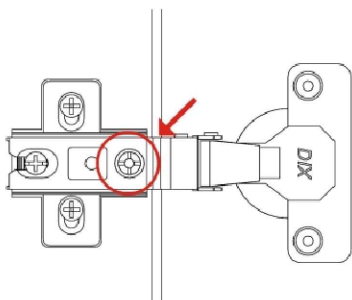
53



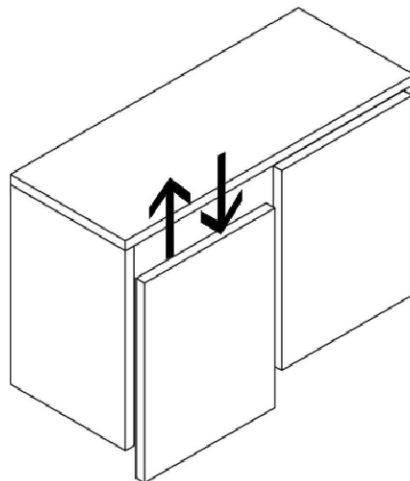
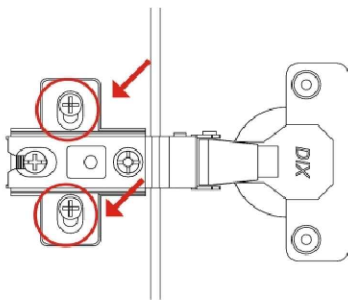
Adjusting Possibilities



Depth Adjustment
after loosening the hinge
arm mounting screw



Lateral Adjustment
by adjusting screw



Vertical Adjustment
via mounting plate (via
slots or, if in two pieces,
via screw)

