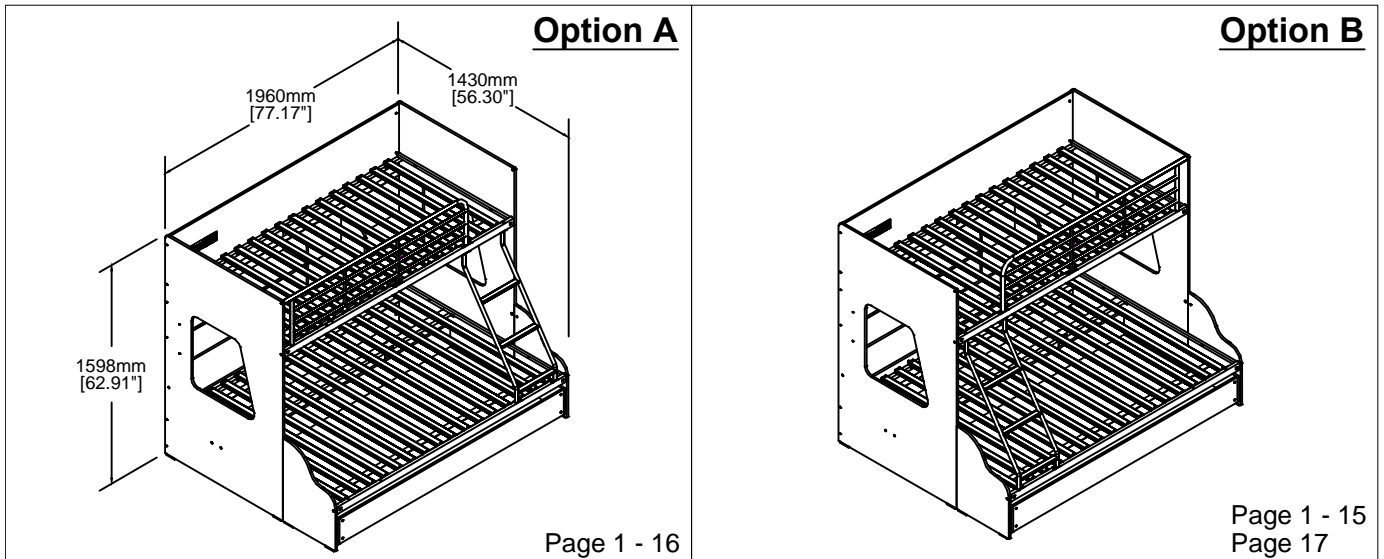


Model : MG 7443 R2

Product Size : 940~1380mm x 1930mm (Base Int Size)

Thank you for purchasing this product. Before starting assembly we suggest you spend a short time reading through this leaflet, then follow the simple step by step guide.
Two people are needed to assemble this product.



TOP TIPS BEFORE YOU START !

IMPORTANT- READ CAREFULLY- RETAIN FOR FUTURE REFERENCE

1. Please check that all parts & hardware are present before you start the assembly of your furniture.
2. For ease and speed of assembly, we recommend that before you commence each step of the assembly, Please identify all the parts required for that step.
3. We recommend that where possible, all items are assembled near to the area in which they will be placed in use, to Avoid moving the product unnecessarily once assembled.
4. For the protection of your furniture, particularly items of high gloss finish, we recommend that the product is placed on a Protected surface during assembly to prevent any damage.
6. During assembly please take care not to over-tighten any fittings, as this may damage the product.

CARE AND MAINTENANCE OF YOUR FURNITURE

- Please periodically check all fittings and re-tighten as necessary.
- To clean your item, please use a damp cloth and wipe clean.
- Never allow any kind of liquid to remain on your furniture. Absorption can cause wood to warp or finishes to de-laminate.
- Please do not place hot items (e.g hot drinks) directly on the wood surface.
- Please do not drag or pull your furniture.

IMPORTANT INFORMATION

1. Thickness of mattress should not exceed 150mm.
2. Children should be discouraged from playing on top of this bunk bed.
3. The bunk bed should be checked periodically by the owner to ensure that the guardrail, ladder, and other components are maintained in the correct position and state of repair and that all connectors are tight.
4. A bunk bed is not to be placed near a ceiling fan unless the distance between the closest points on the ceiling fan bunk Bed is at least 2 metres.
5. Use guardrails on both sides of upper bunk.
6. Prohibit horseplay on or under bed(s).
7. Prohibit more than one person on upper bunk.
8. Use Ladder for entering and leaving upper bunk.
9. If the bunk bed will be placed next to the wall, the guardrail that runs the full length of the bed should be placed against The wall to prevent entrapment between the bed and the wall.

STRANGULATION HAZARD:

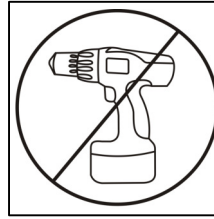
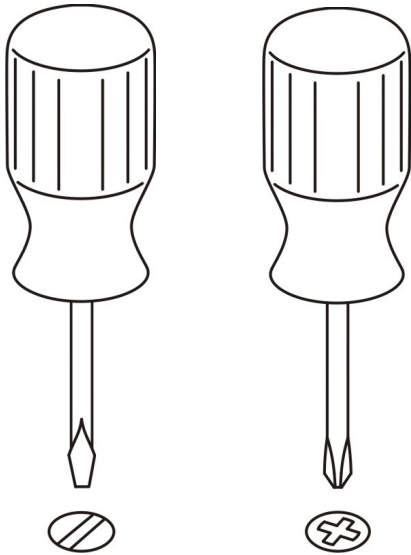
10. Never attach or hang items to any part of the bunk bed that are not designed for use with the bed for example, but not limited to hook, belt and jump ropes.

Guide To Assembly

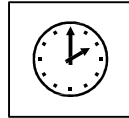
Model : MG 7443 R2

Tools Required For Assembly

Phillips Screw Driver



DO NOT USE POWER TOOLS TO ASSEMBLE THIS PRODUCT. USE OF POWER TOOLS WILL INVALIDATE ANY CLAIM AND MAY DAMAGE THIS PRODUCT MAKING IT UNSAFE.

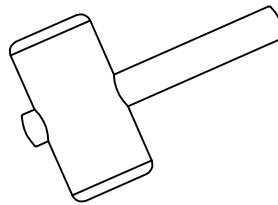


Approximately 2 hour

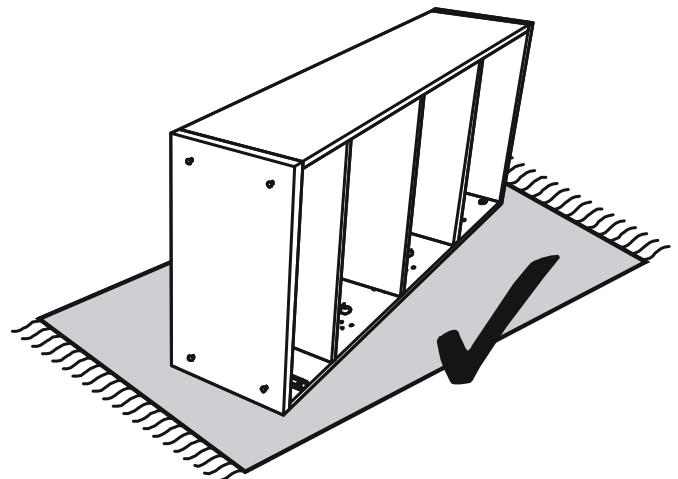
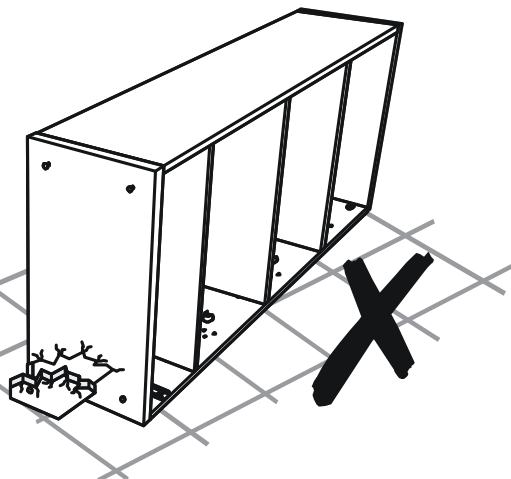
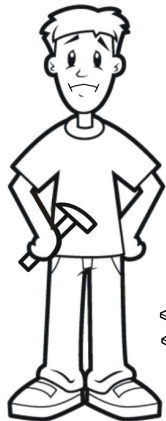
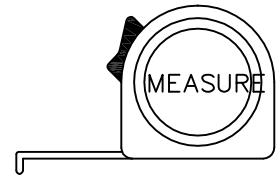


2 People Required

Rubber Hammer



Measure



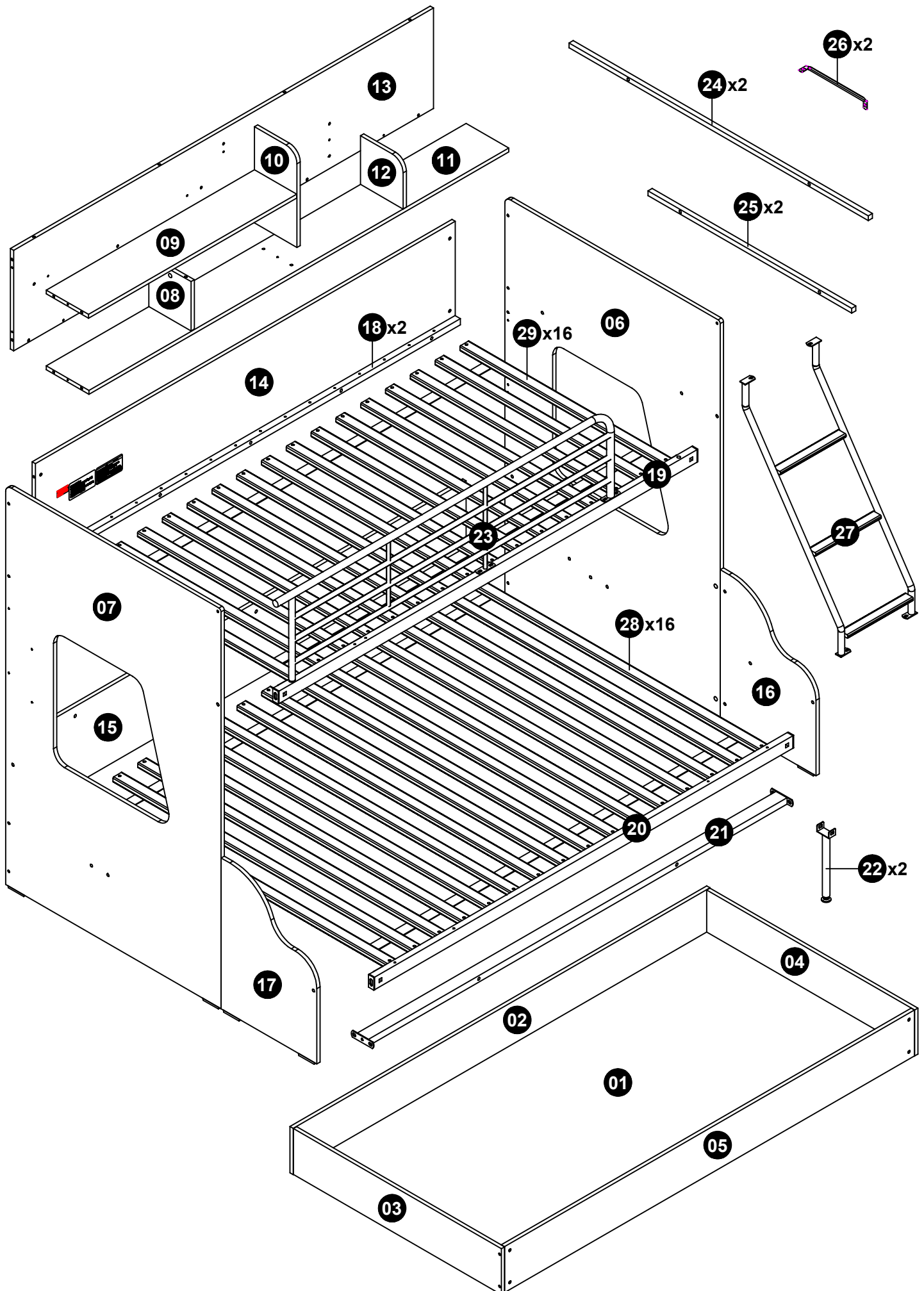
Part List

Model : MG 7443 R2

Carton 1 of 5			Carton 4 of 5		
No.	Part Name	Pcs	No.	Part Name	Pcs
06	Right End Panel	1	01	Bottom Panel (Trundle)	1
07	Left End Panel	1	02	Back Panel (Trundle)	1
			03	Left Panel (Trundle)	1
Carton 2 of 5			04	Right Panel (Trundle)	1
08	Support Panel (Shelf)	1	05	Front Panel (Trundle)	1
09	Center Panel (Shelf)	1	16	Right Support Panel	1
10	Center Panel (Shelf)	1	17	Left Support Panel	1
11	Bottom Panel (Shelf)	1			
12	Center Panel (Shelf)	1	Carton 5 of 5		
13	Back Panel (Shelf)	1	27	Ladder	1
14	Back Side Panel (Upper)	1			
15	Back Side Panel (Bottom)	1			
Carton 3 of 5					
18	Side Rail (Back)	2			
19	Side Rail (Upper)	1			
20	Side Rail (Bottom)	1			
21	Center Support Rail	1			
22	Bottom Support Rail	2			
23	Guardrail	1			
24	Close Gap (Bottom)	2			
25	Close Gap (Upper)	2			
26	Brace	2			
28	Solid Wood Slat Base (16 pcs) Short	1 set			
29	Solid Wood Slat Base (16 pcs) Long	1 set			
Assembly Instructions + Fitting List					

Part List

Model : MG 7443 R2



Fitting List

Model : MG 7443 R2

Carton 3 of 5

Fitting List

No.	Part Name		Pcs
A	Cam Stud (small)		11
B	Cam		15
C	M8 x 25mm Wood Dowel		62
D	Contractic Dowel		4
E	45mm Chipboard Screw		22
F	14mm Chipboard Screw		18
G	40mm White Nylon Caster		9
H	M6 x 13mm Baller		4
J	M6 Round Nut		12
K	M8 Square Nut		4
L	M8 x 60mm Allen Bolt		4
M	M6 x 70mm Allen Bolt		1
N	M6 x 50mm Allen Bolt		14
P	M6 x 40mm Allen Bolt		1
Q	M6 x 35mm Allen Bolt		10
R	M6 x 30mm Allen Bolt		72
S	M6 x 12mm Allen Bolt		16
T	M6 JCN Nut		14
U	M6 x 25mm Round Stopper		2
V	M6 Allen Wrench		2
W	M8 Allen Wrench		1
X	PVC Universal Cap		2

Caution

There are many small components used in the construction of this unit. These loose items should be kept away from young children whilst assembling your unit. As an extra precaution, screw cover caps should be permanently fixed in position. (Where applicable)

USEFUL HINTS & TIPS

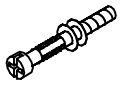
Two people will be required to assemble this unit

Please keep this assembly instruction for future reference

Guide To Assembly

Model : MG 7443 R2

1



A x 10



J x 4



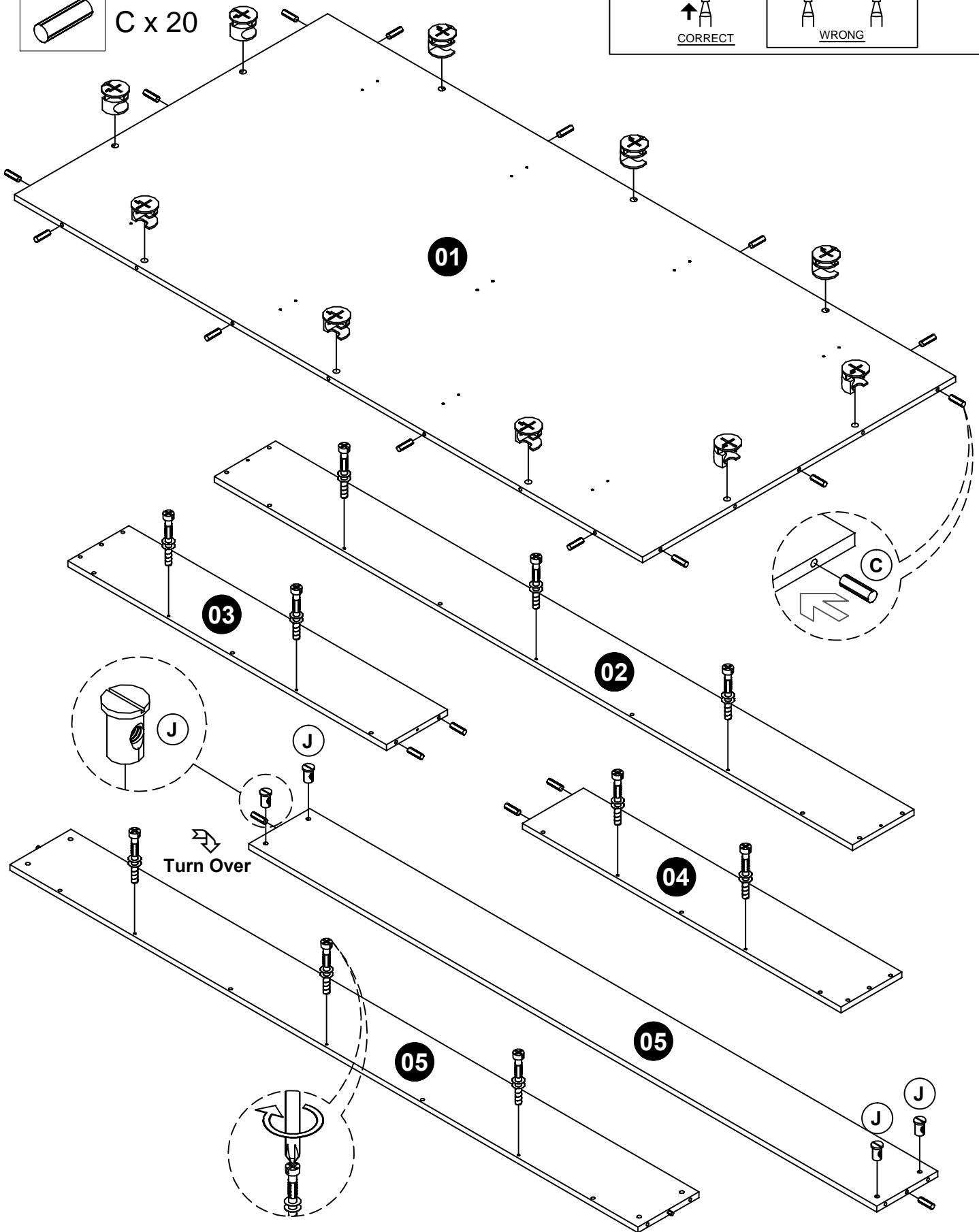
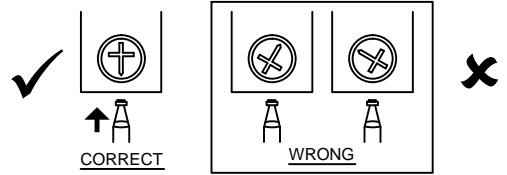
B x 10



C x 20

WHEN FITTING CAMS

ENSURE STARTING POSITION IS CORRECT
BEFORE YOU INSERT CONNECTING BOLT
TURN CLOCKWISE UNTIL SECURE



Guide To Assembly

Model : MG 7443 R2

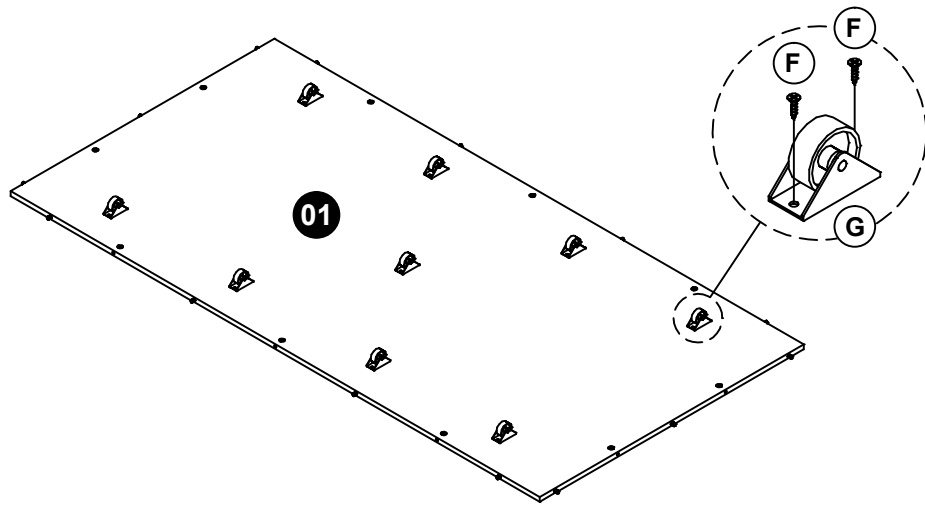
2



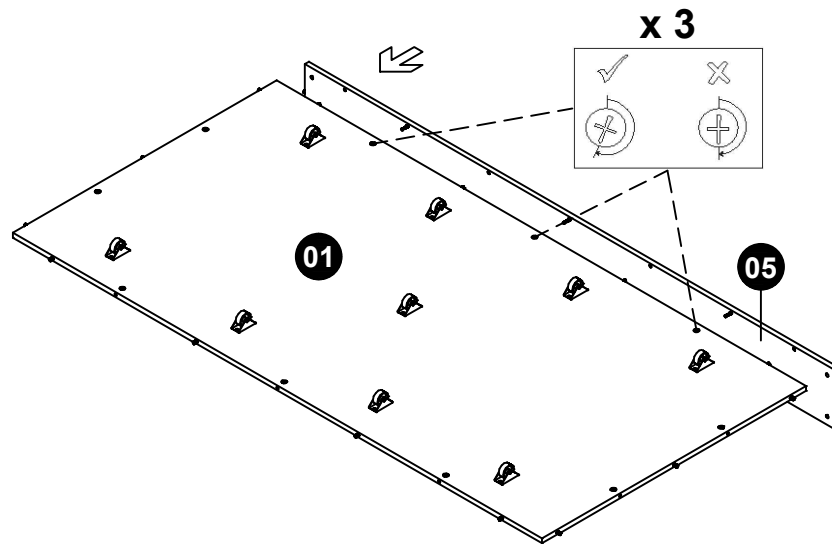
F x 18



G x 9



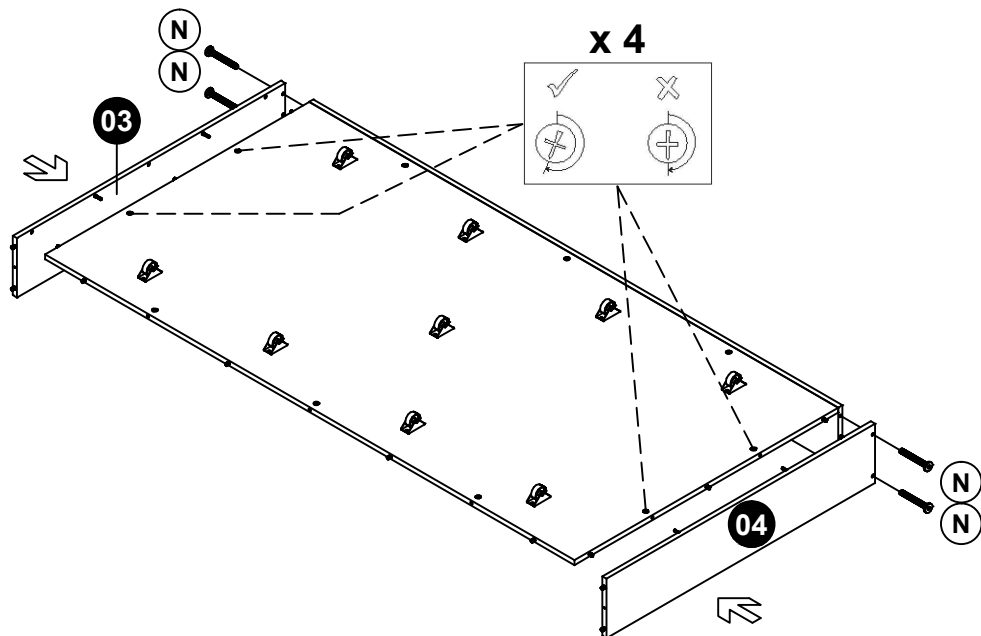
3



4




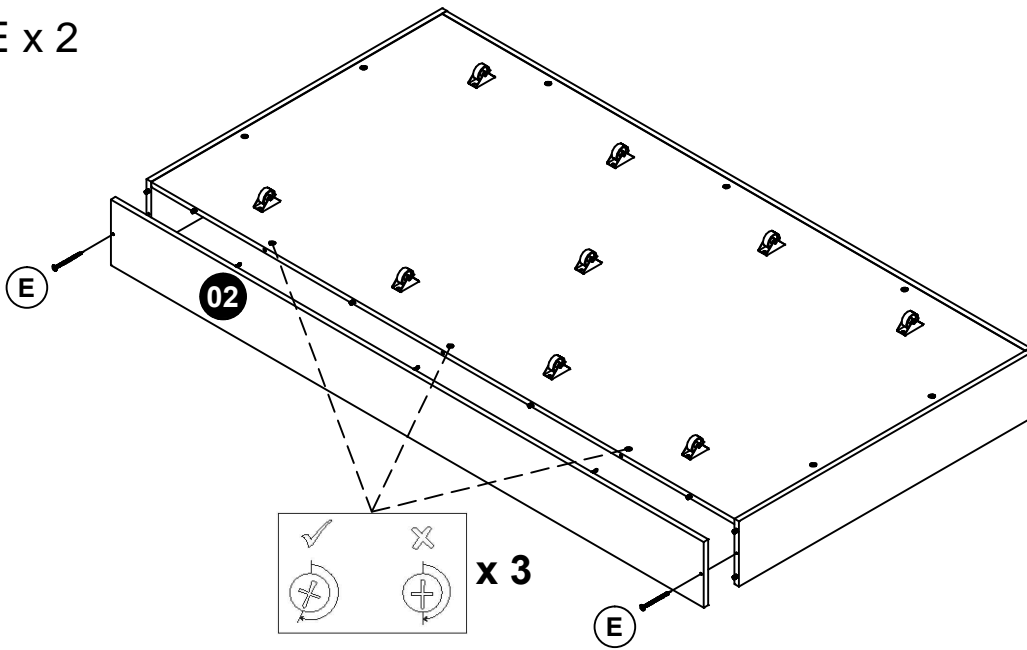
N x 4



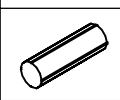


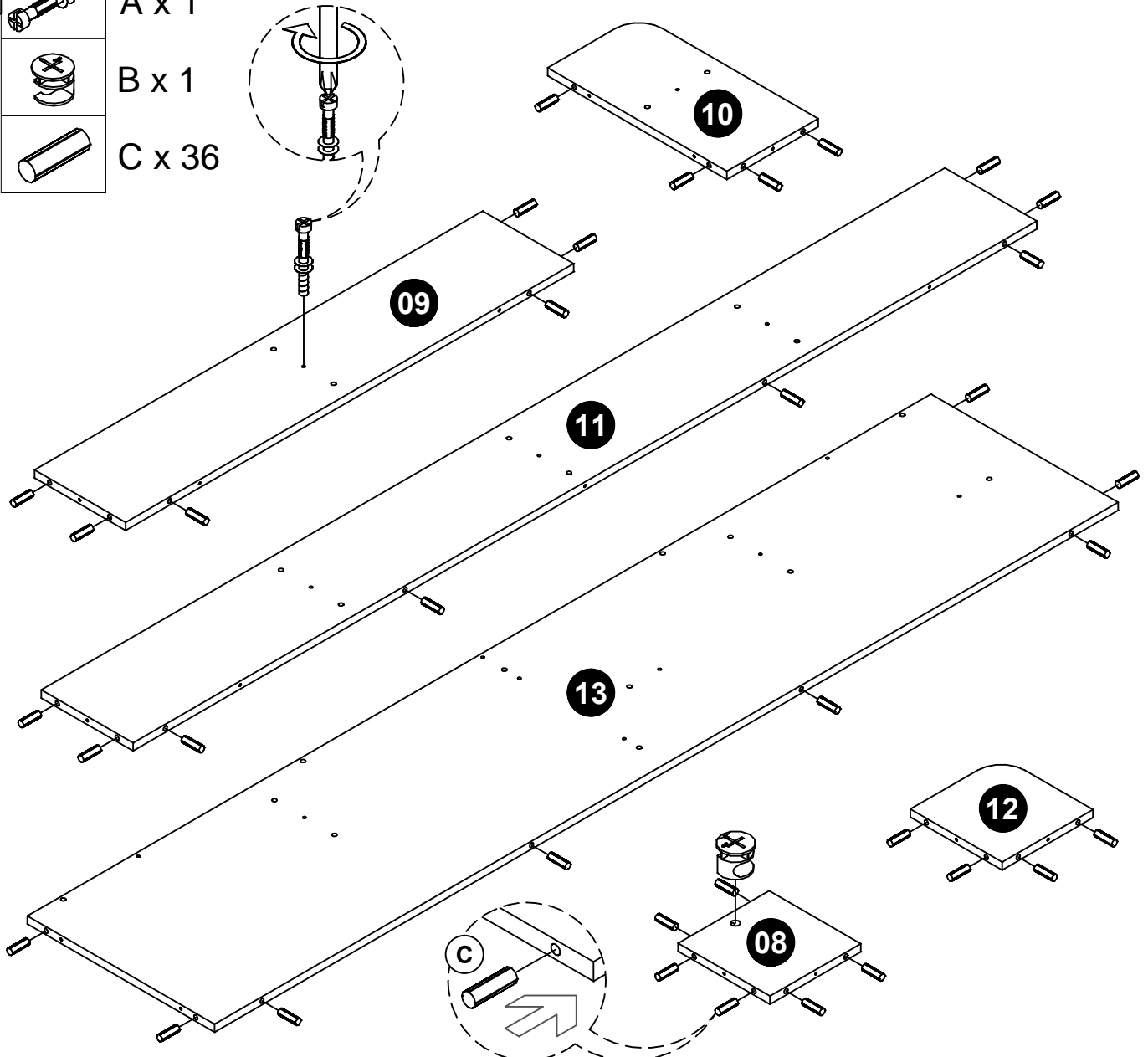
Guide To Assembly

Model : MG 7443 R2

5  E x 2



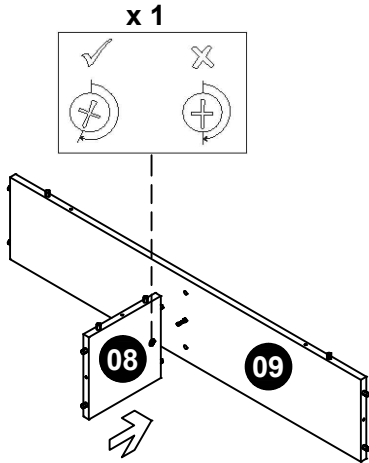
6  A x 1
 B x 1
 C x 36



Guide To Assembly

Model : MG 7443 R2

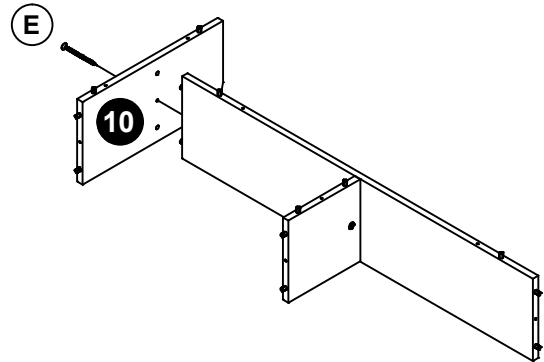
7



8



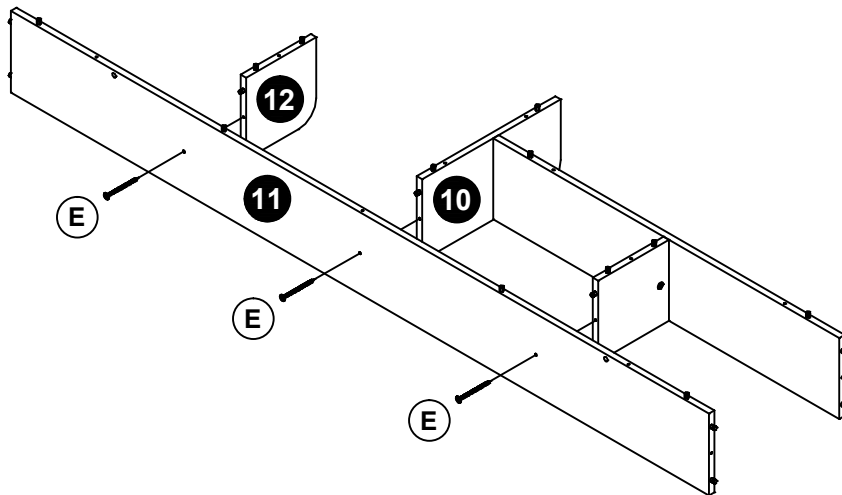
E x 1



9



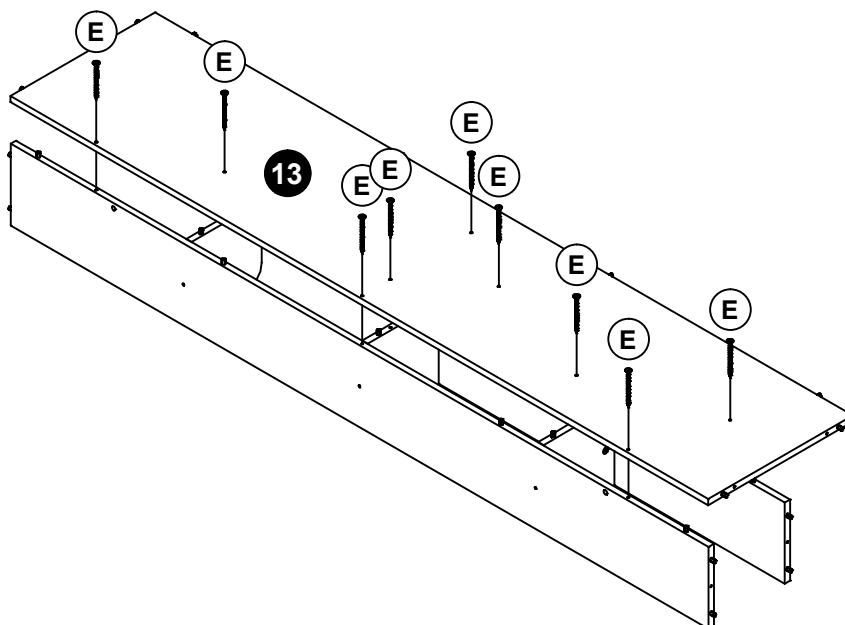
E x 3



10



E x 9



Guide To Assembly

Model : MG 7443 R2

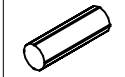
11



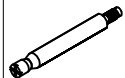
B x 4



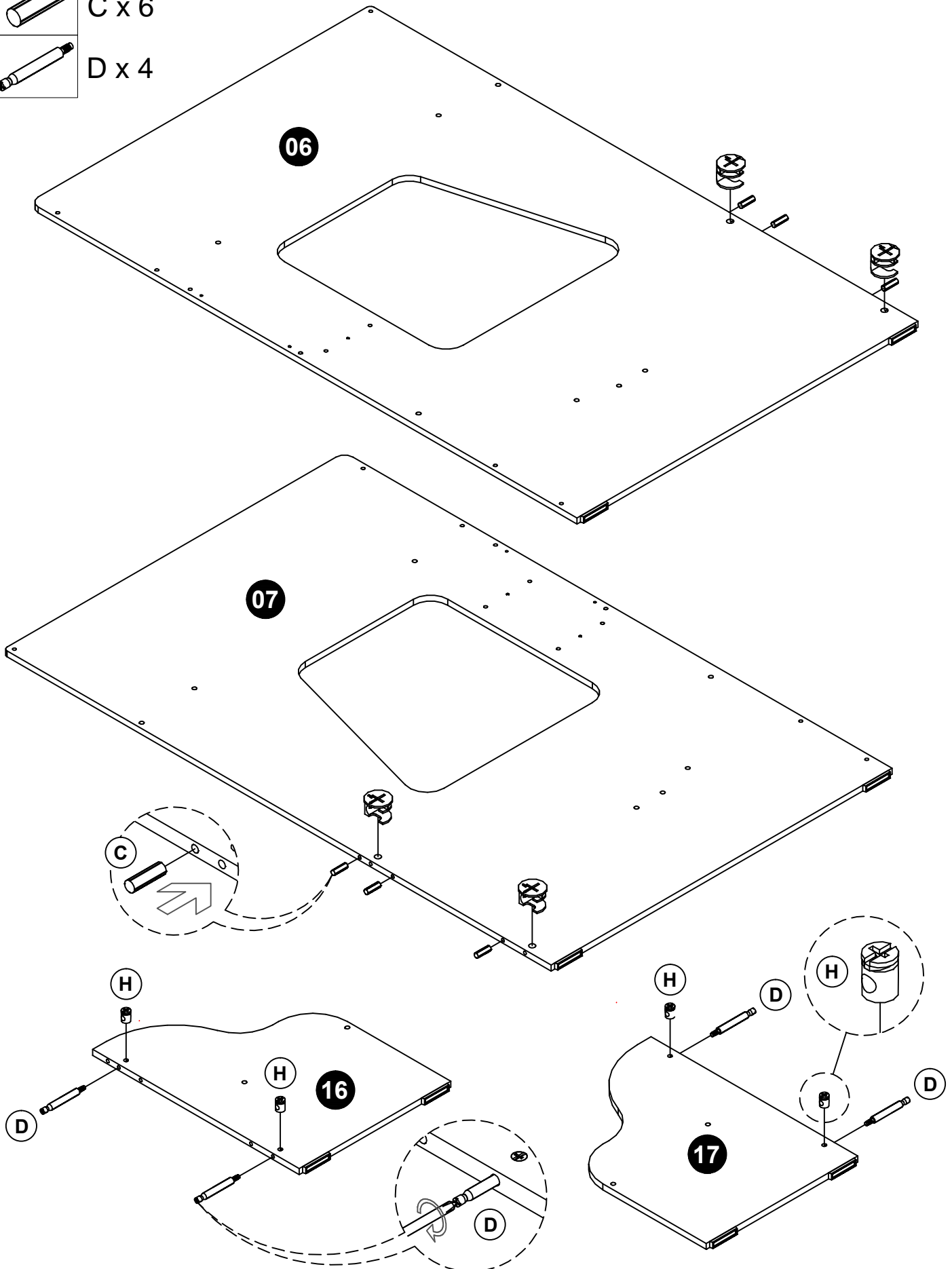
H x 4



C x 6



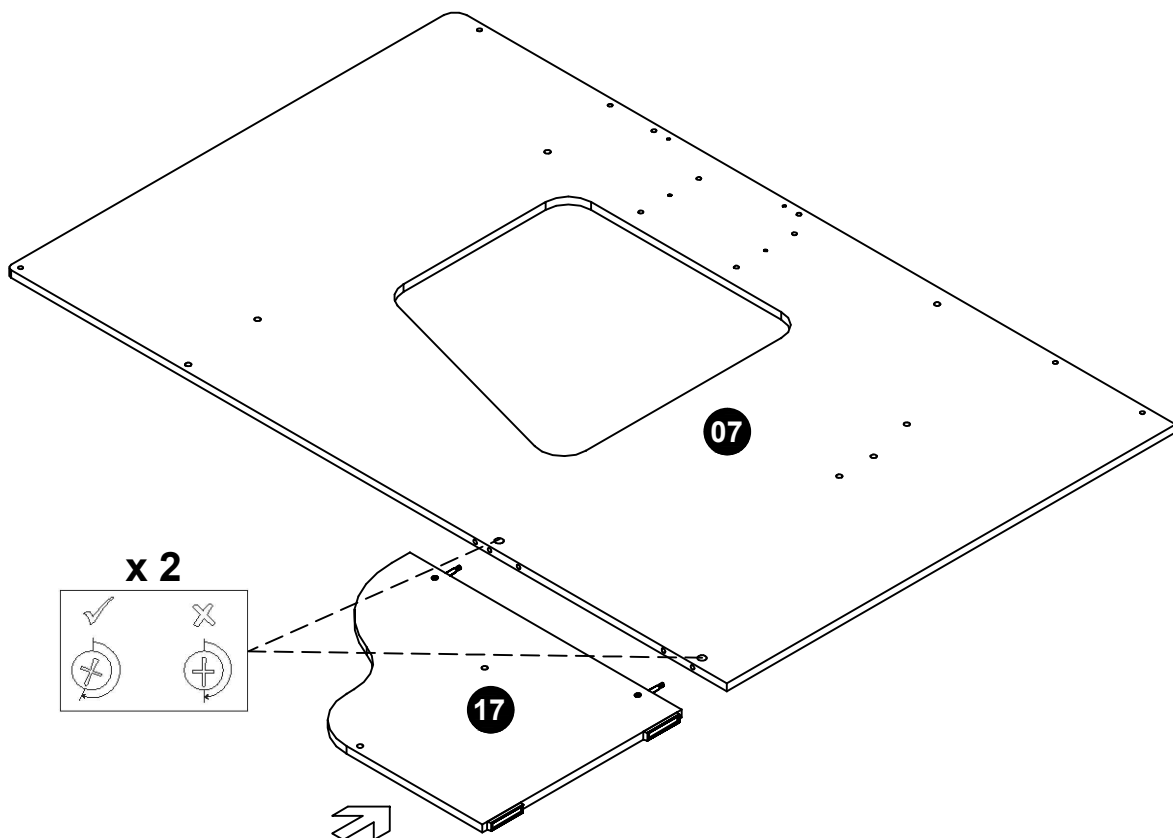
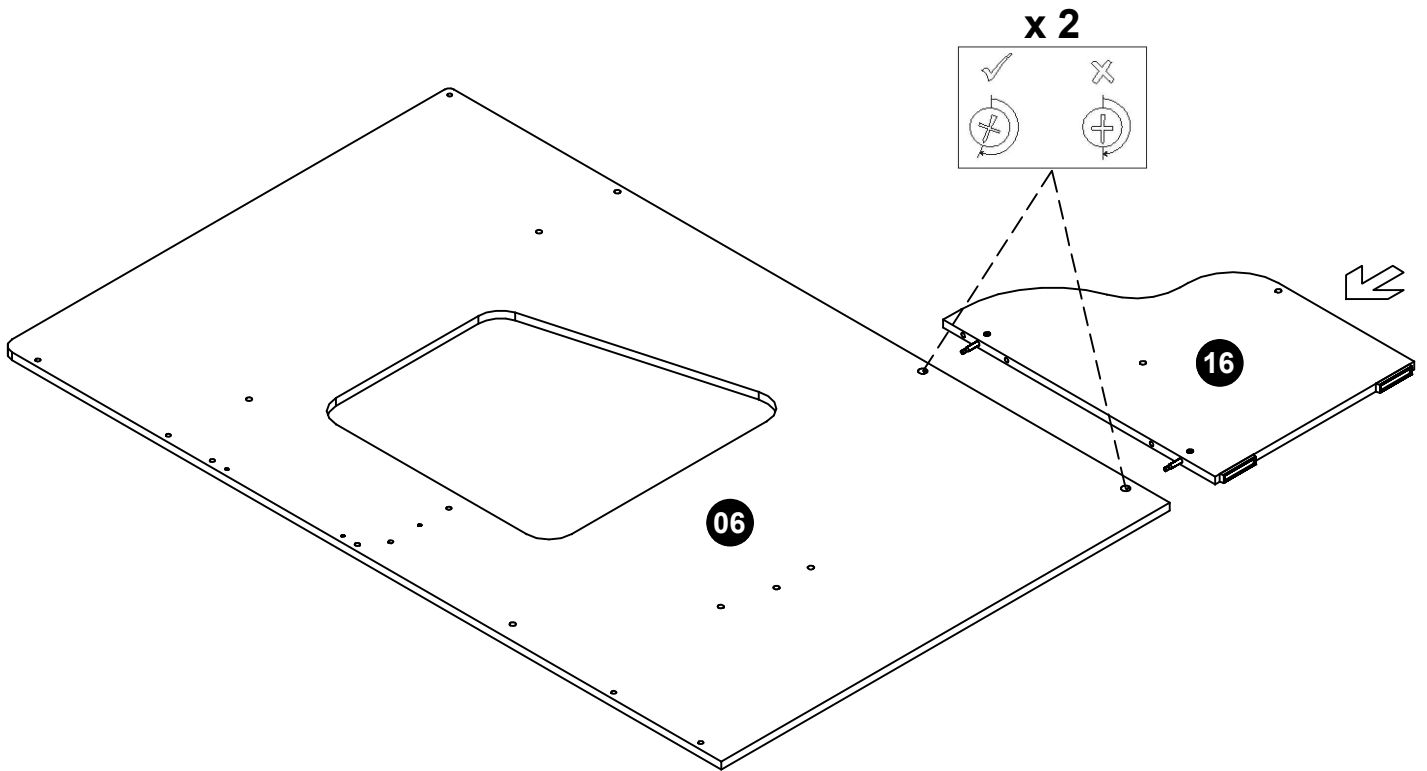
D x 4



Guide To Assembly


Model : MG 7443 R2

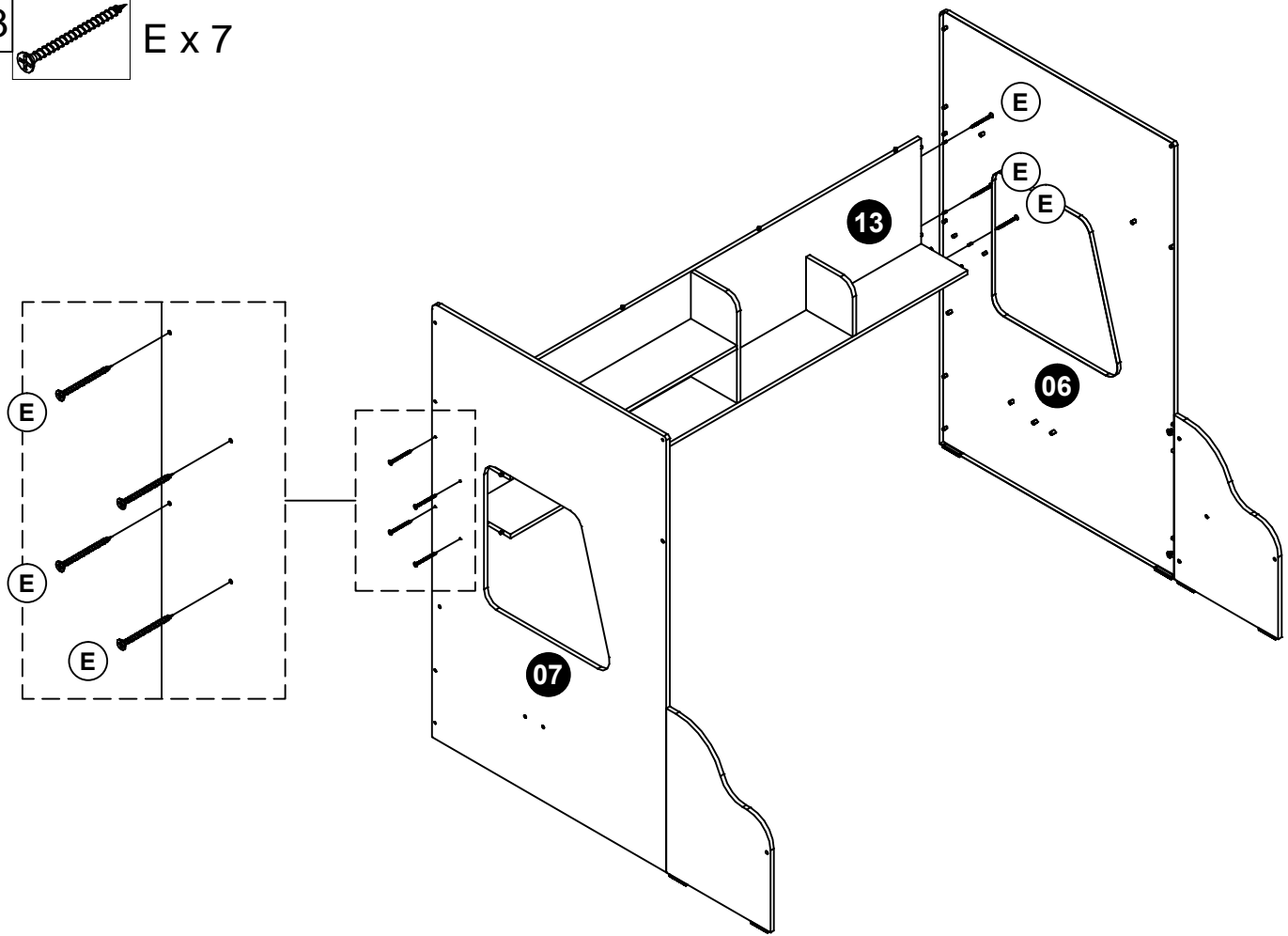
12






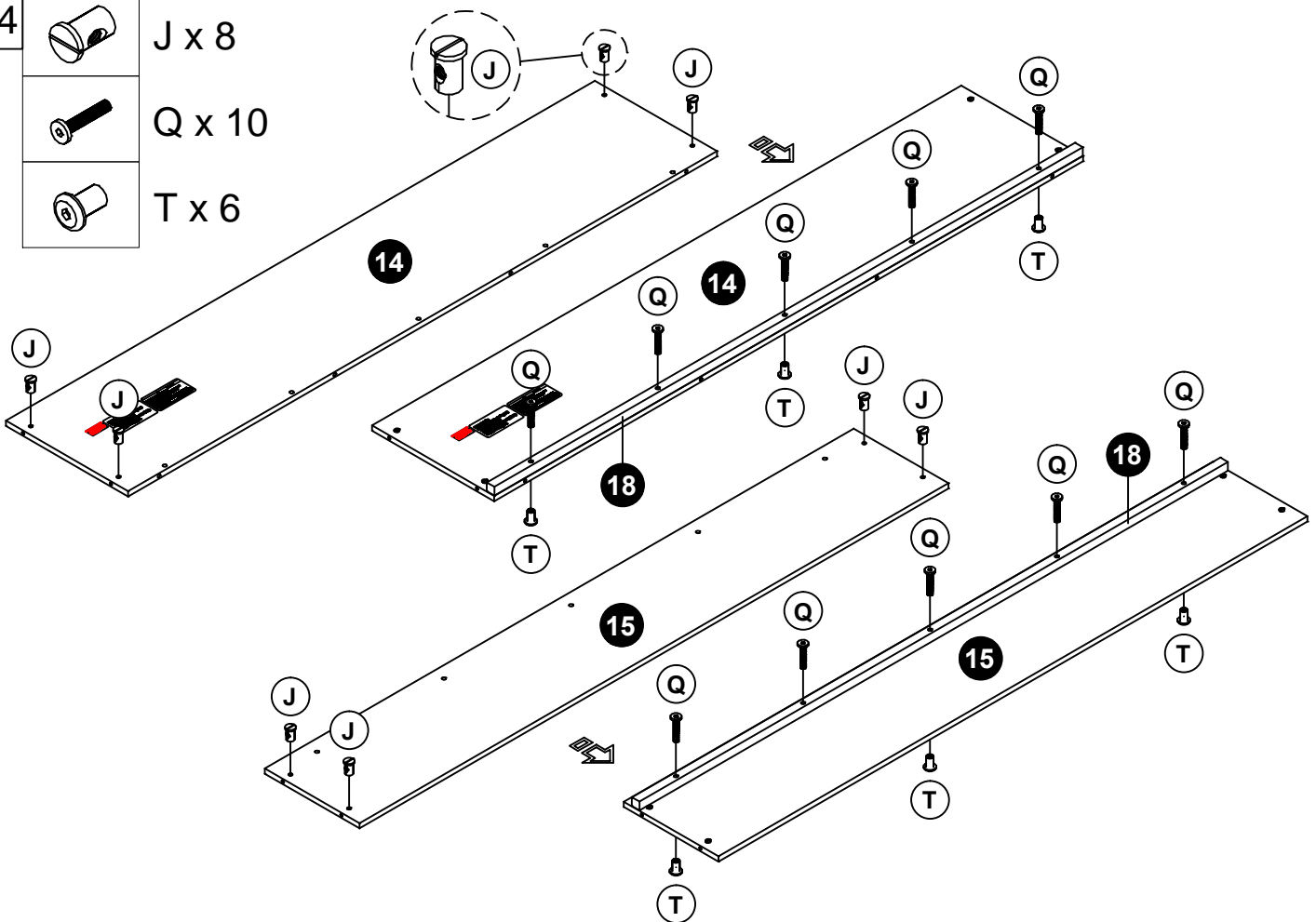
Guide To Assembly

Model : MG 7443 R2

13  E x 7




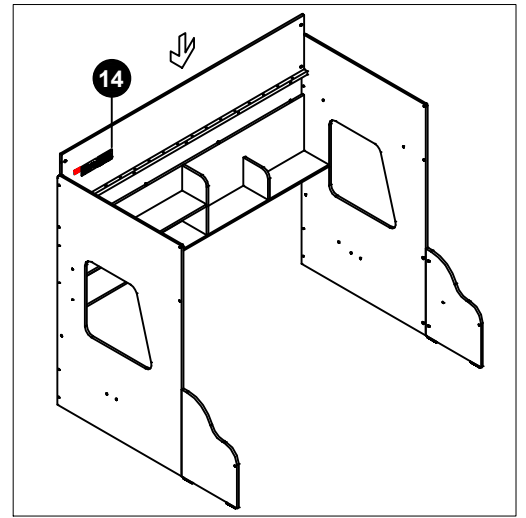
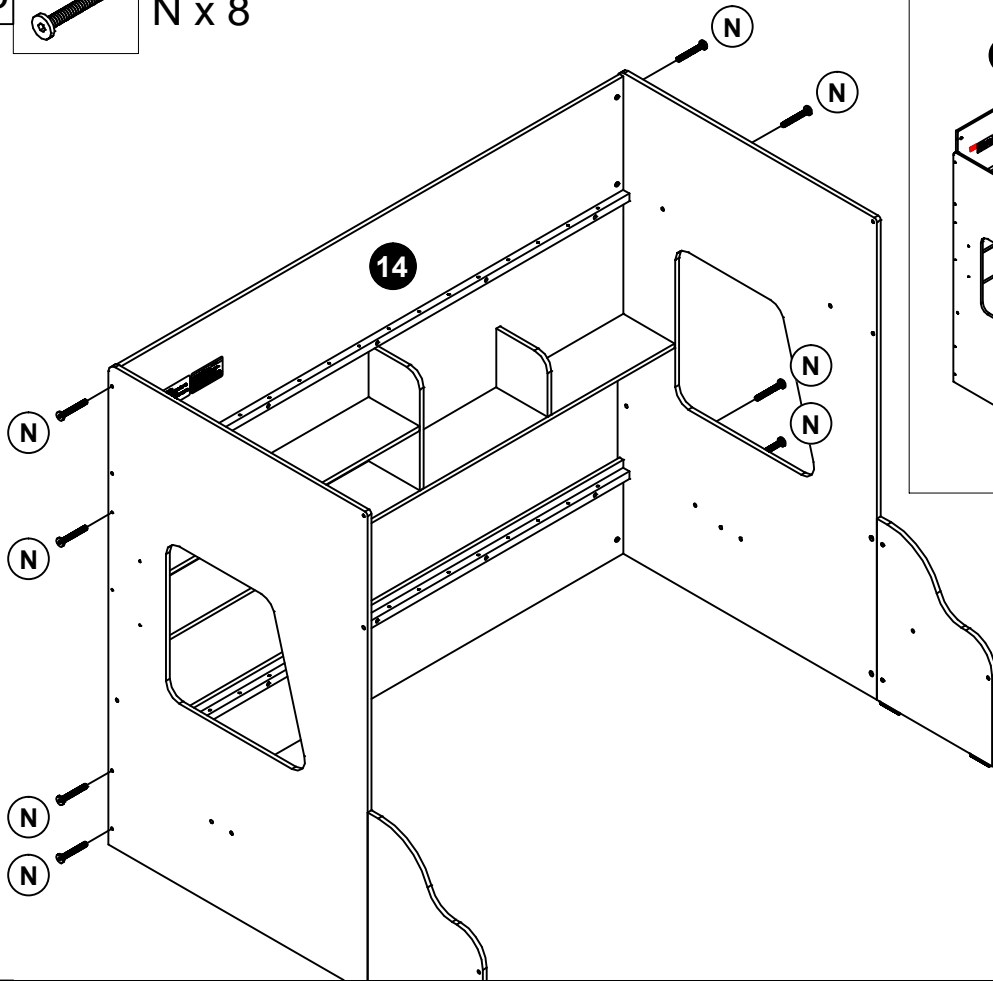
14  J x 8
 Q x 10
 T x 6

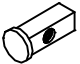
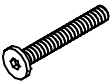


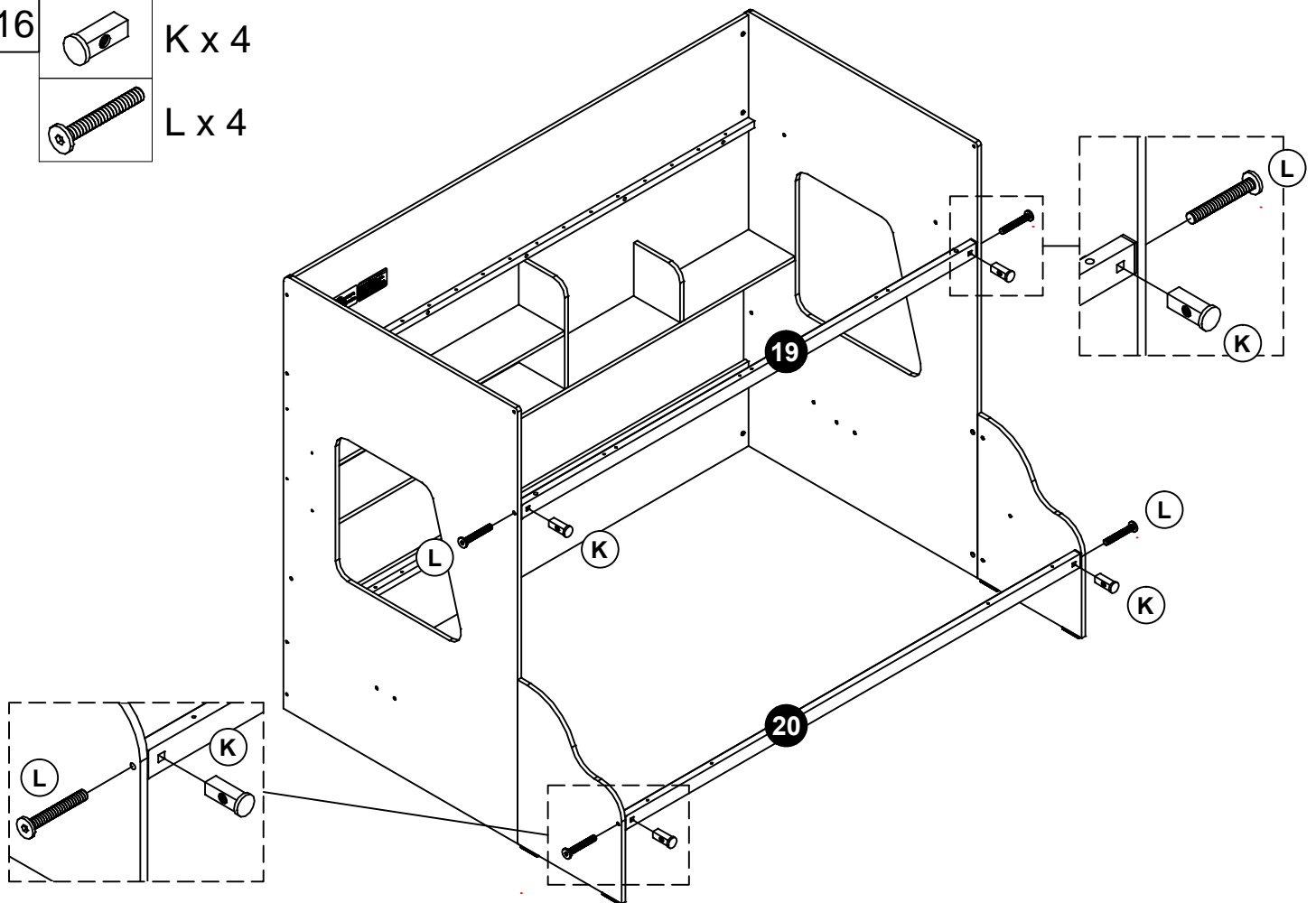
Guide To Assembly

Model : MG 7443 R2

15  N x 8



16  K x 4
 L x 4



Guide To Assembly

Model : MG 7443 R2

17



N x 2



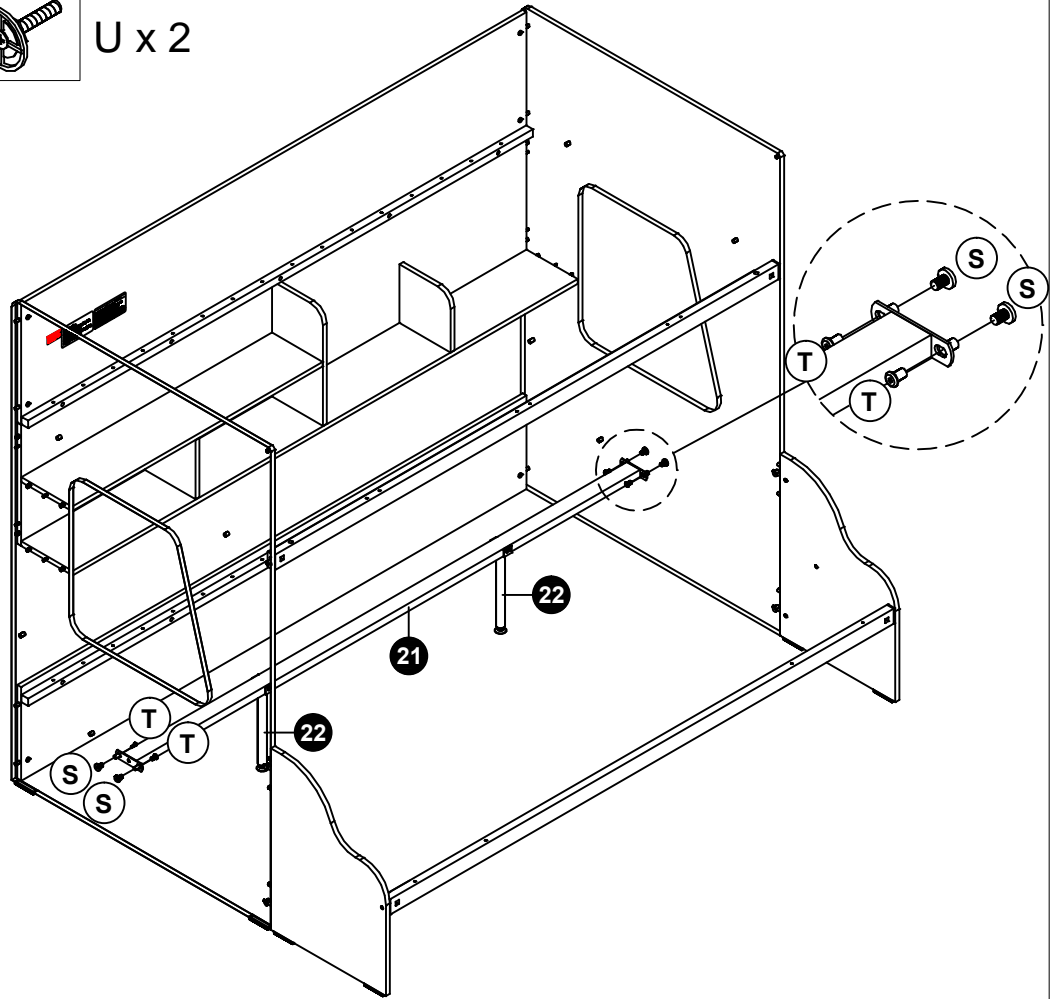
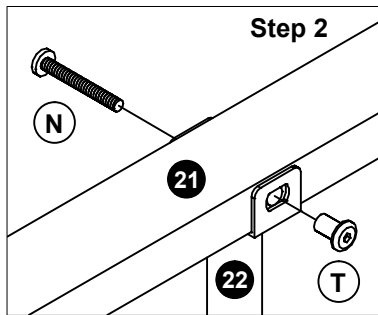
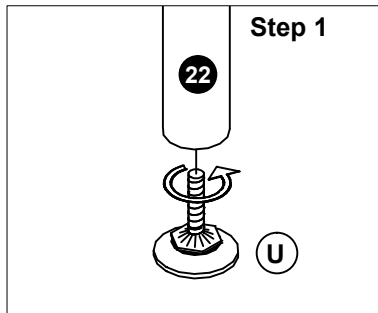
U x 2



S x 4



T x 6



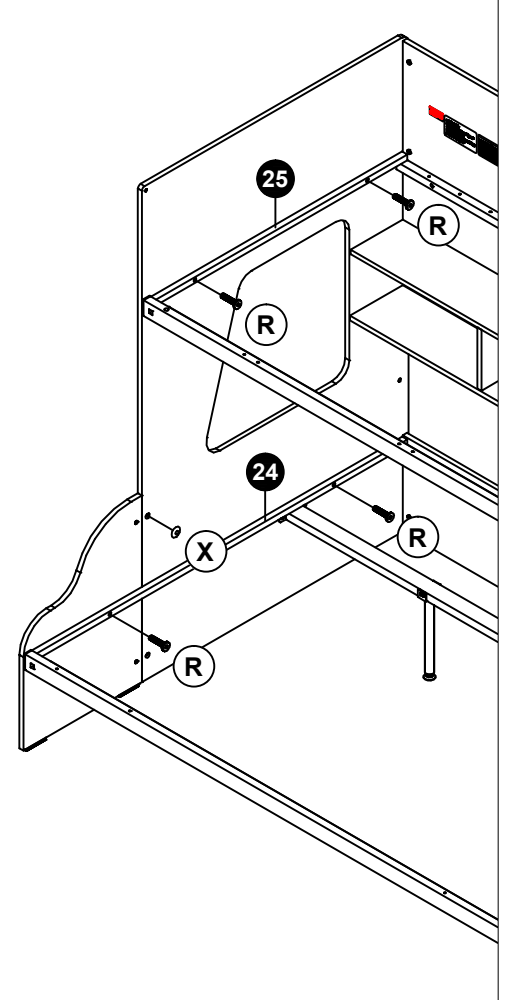
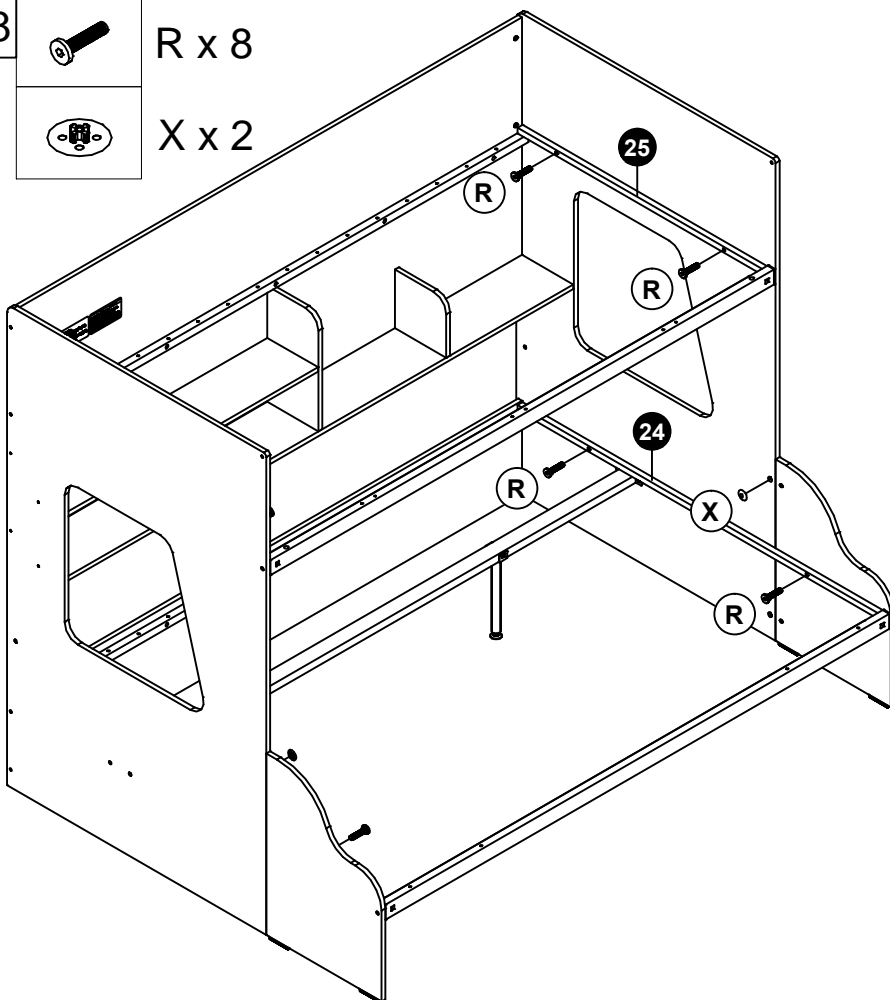
18



R x 8



X x 2



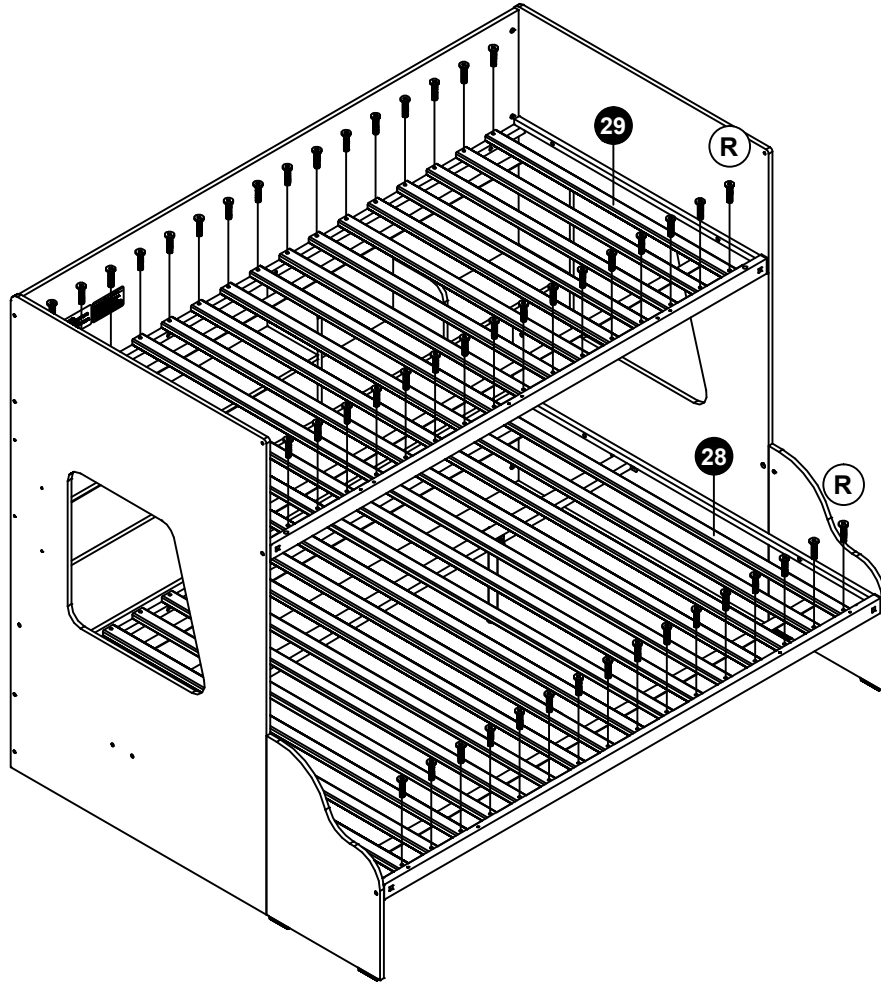
Guide To Assembly

Model : MG 7443 R2

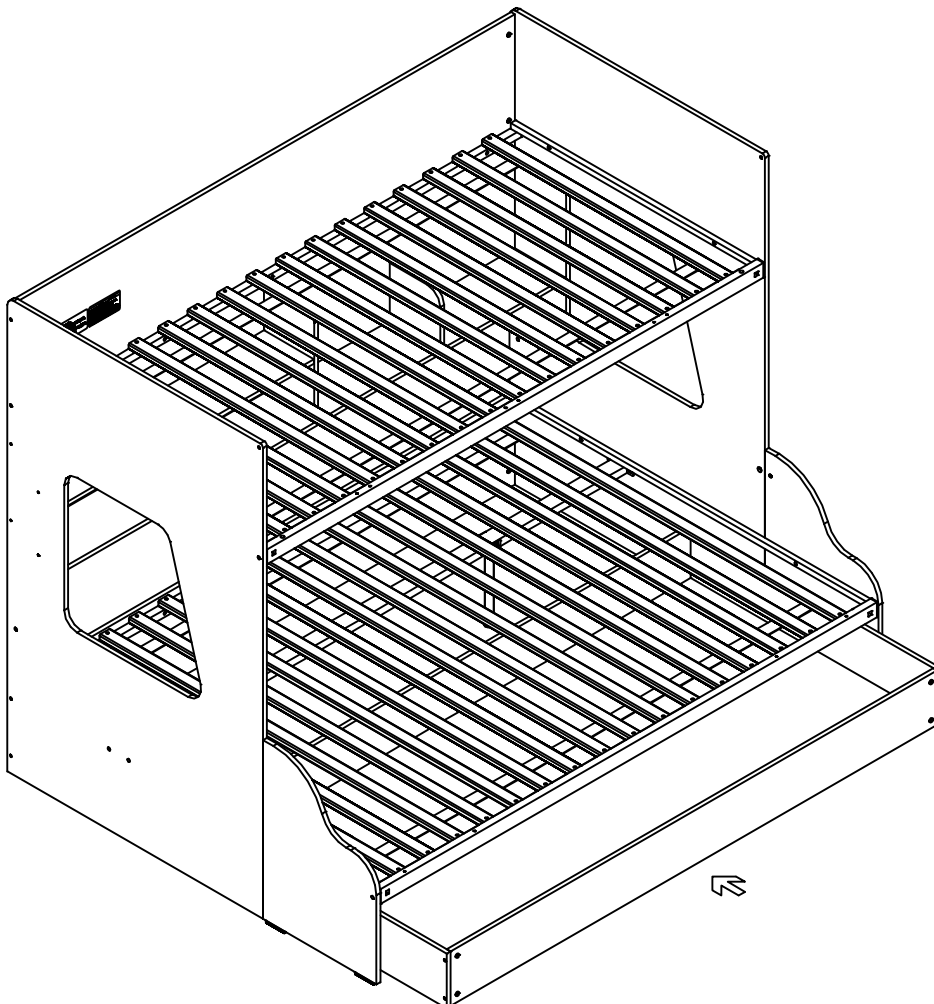
19



R x 64



20

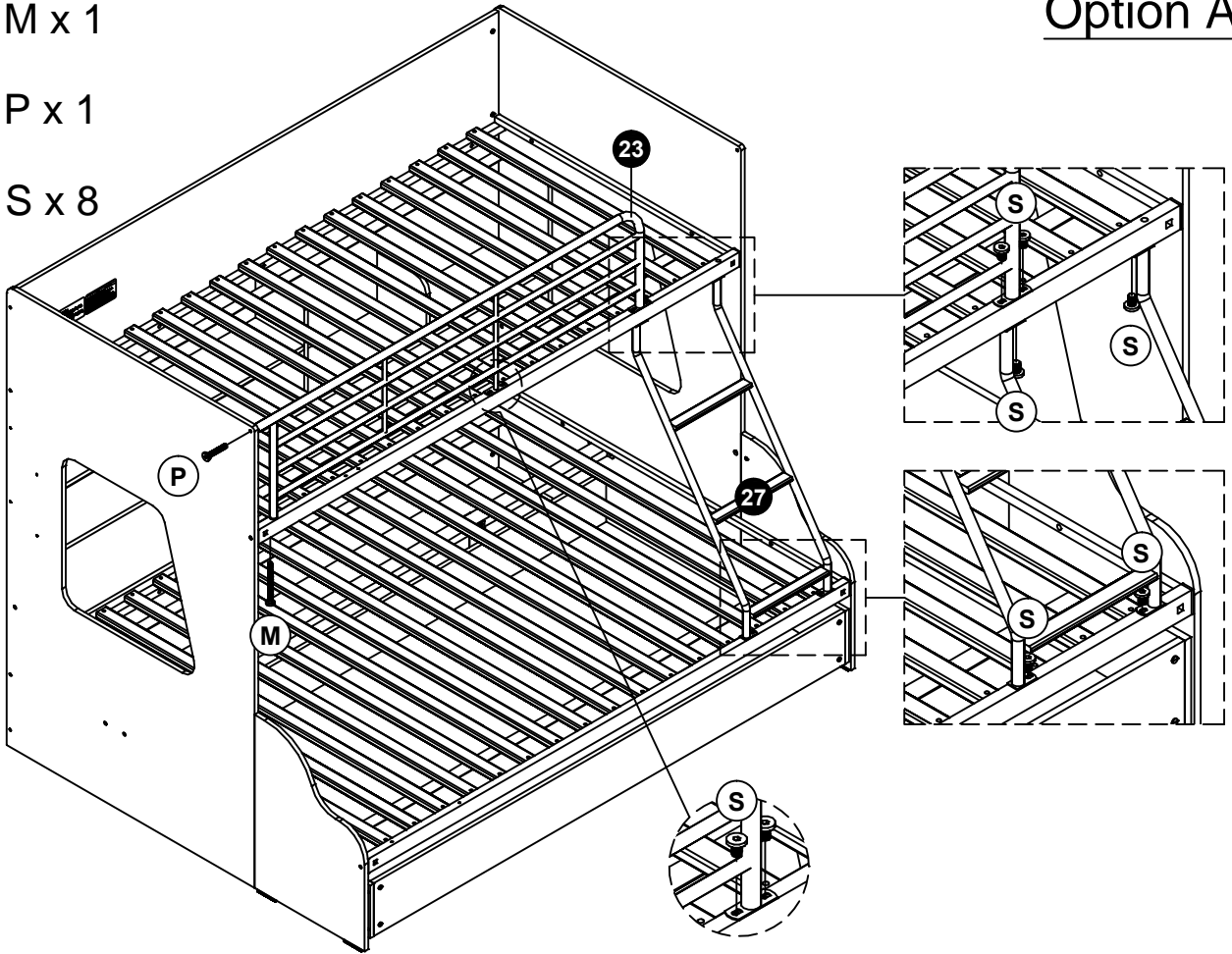


Guide To Assembly

Model : MG 7443 R2

- 21
- M x 1
 - P x 1
 - S x 8

Option A



- 22
- S x 4
 - T x 2

