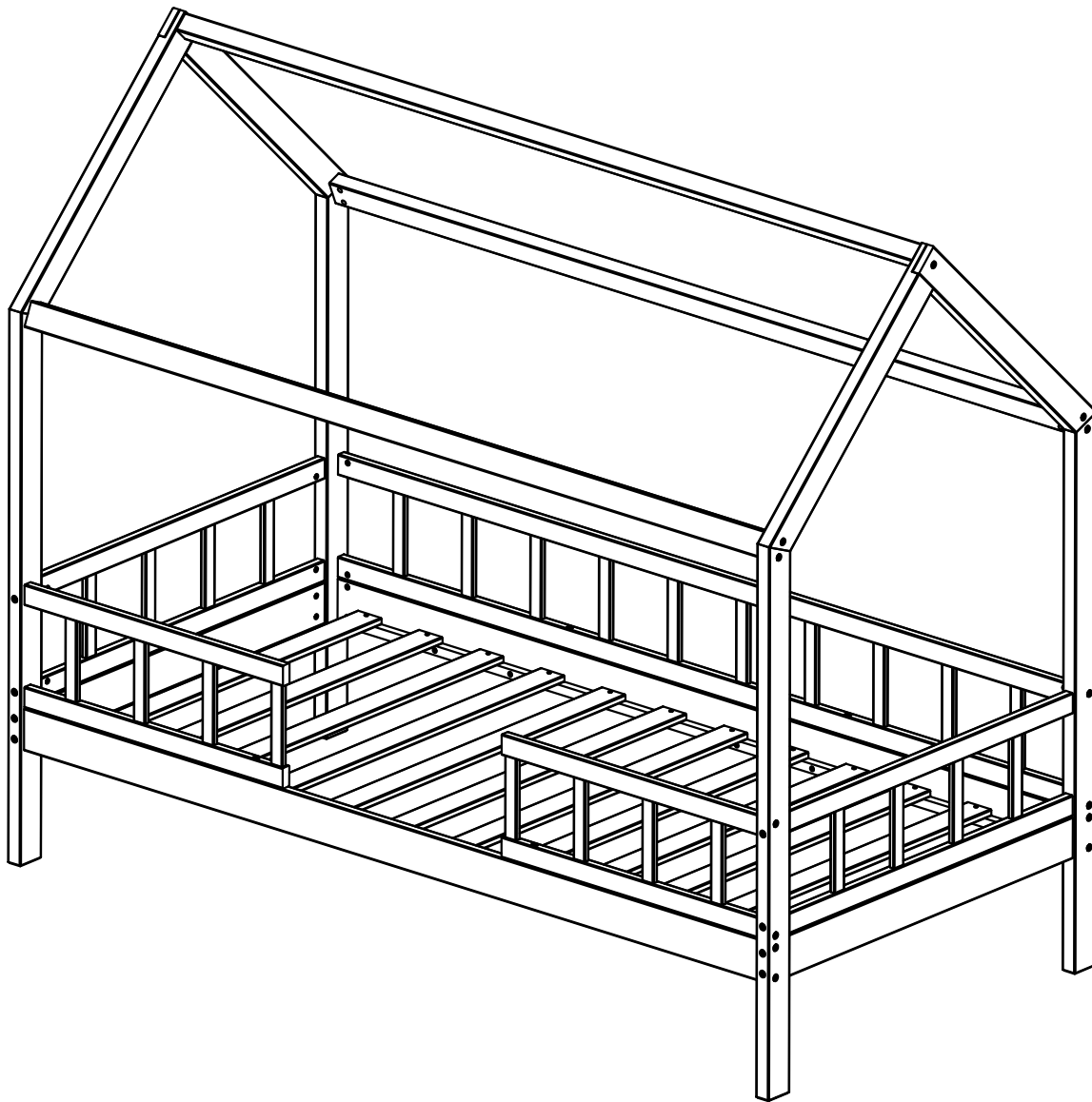
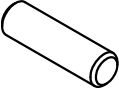

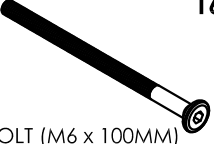

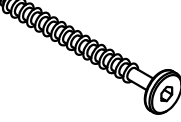

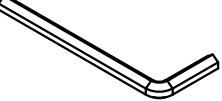



ASSEMBLY INSTRUCTION

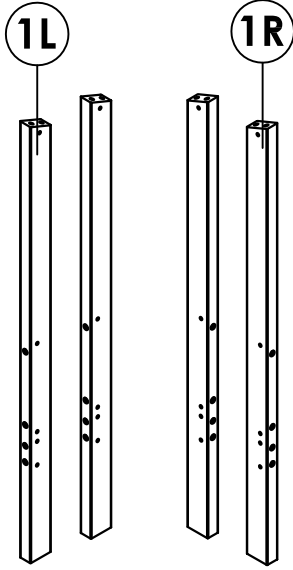
MODEL : IQ190-BW SINGLE HOUSE BED (930 x 1930)MM



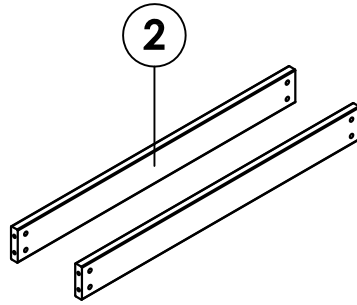
HARDWARE LIST

<p>A</p>  <p>PLASTIC DOWEL (M10 x 35MM)</p> <p>10 PCS</p>	<p>B</p>  <p>JCBC BOLT (M6 x 70MM)</p> <p>26 PCS</p>	<p>C</p>  <p>JCBC BOLT (M6 x 100MM)</p> <p>16 PCS</p>
<p>D</p>  <p>JRN NUT (M6 x 13MM)</p> <p>42 PCS</p>	<p>E</p>  <p>JCBC W SCREW (M6 X 60MM)</p> <p>4 PCS</p>	<p>F</p>  <p>CSK C/B SCREW (M4 X 32MM)</p> <p>24 PCS</p>
<p>G</p>  <p>ALLEN KEY (M4 X 60MM)</p> <p>1 PC</p>	 <p>Do not recommend the use of power drills/drivers for inserting bolts/screws as this could damage the unit.</p> <p><u>Tools Required :</u> Crosshead Screw Driver</p>	

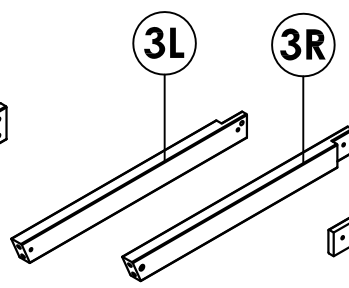
PART LIST



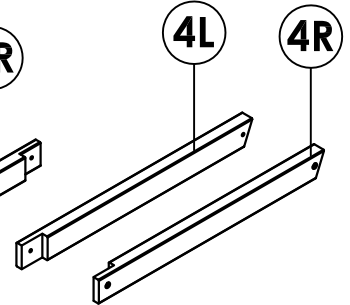
HEADBOARD POST (L/R)
(4 PCS / SET)
CARTON 1 OF 2



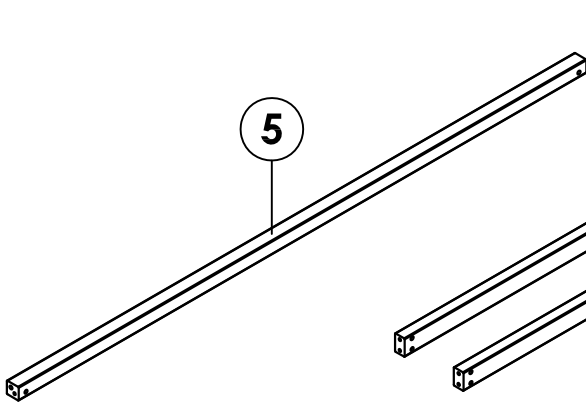
HEADBOARD RAIL
(2 PCS / SET)
CARTON 1 OF 2



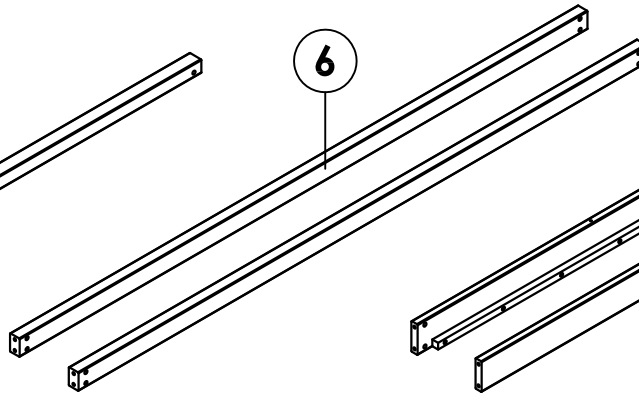
HEADBOARD ROOF (FRONT - L/R)
(2 PCS / SET)
CARTON 1 OF 2



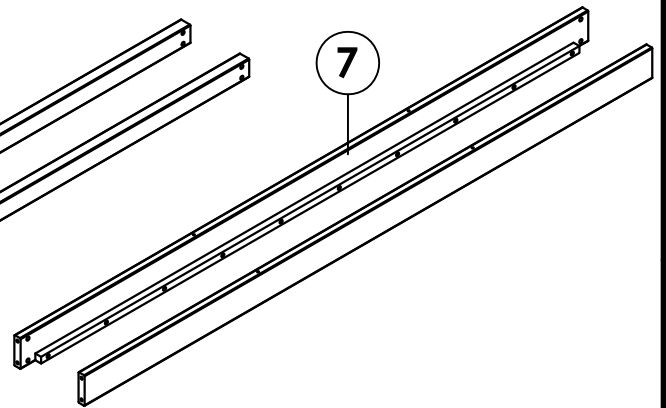
HEADBOARD ROOF (REAR - L/R)
(2 PCS / SET)
CARTON 1 OF 2



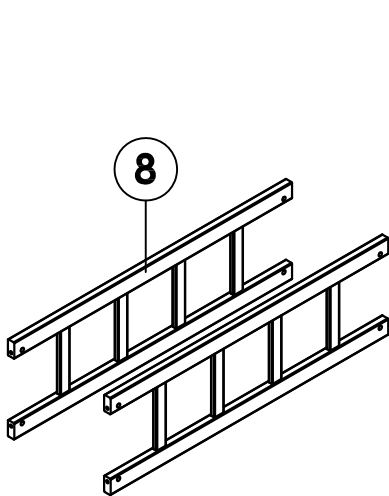
SUPPORT RAIL (TOP)
(1 PC / SET)
CARTON 2 OF 2



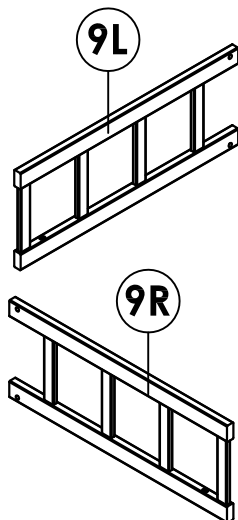
SUPPORT RAIL (MIDDLE)
(2 PCS / SET)
CARTON 2 OF 2



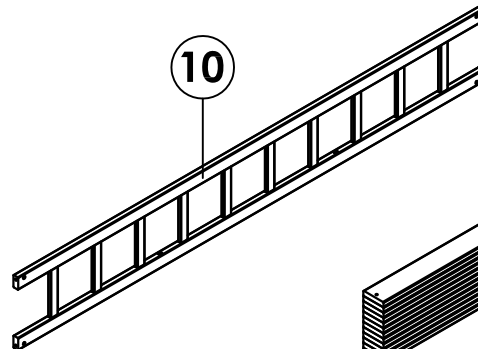
SIDE RAIL
(2 PCS / SET)
CARTON 2 OF 2



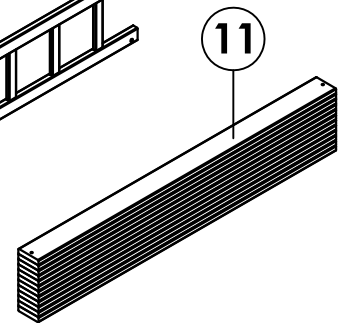
HEADBOARD GUARD RAIL
(2 PCS / SET)
CARTON 1 OF 2



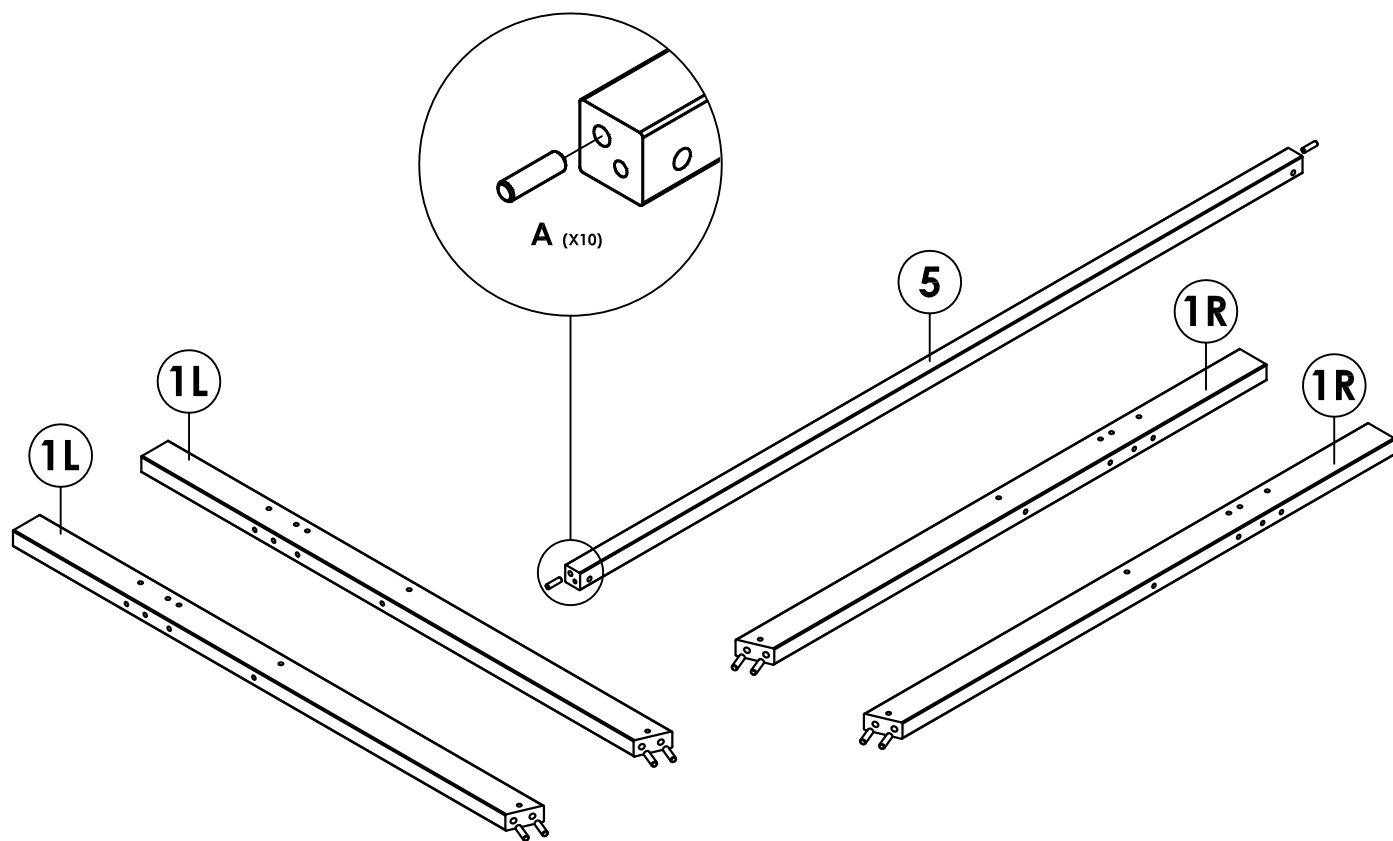
SHORT GUARD RAIL (L/R)
(2 PCS / SET)
CARTON 2 OF 2



FULL GUARD RAIL
(1 PC / SET)
CARTON 2 OF 2

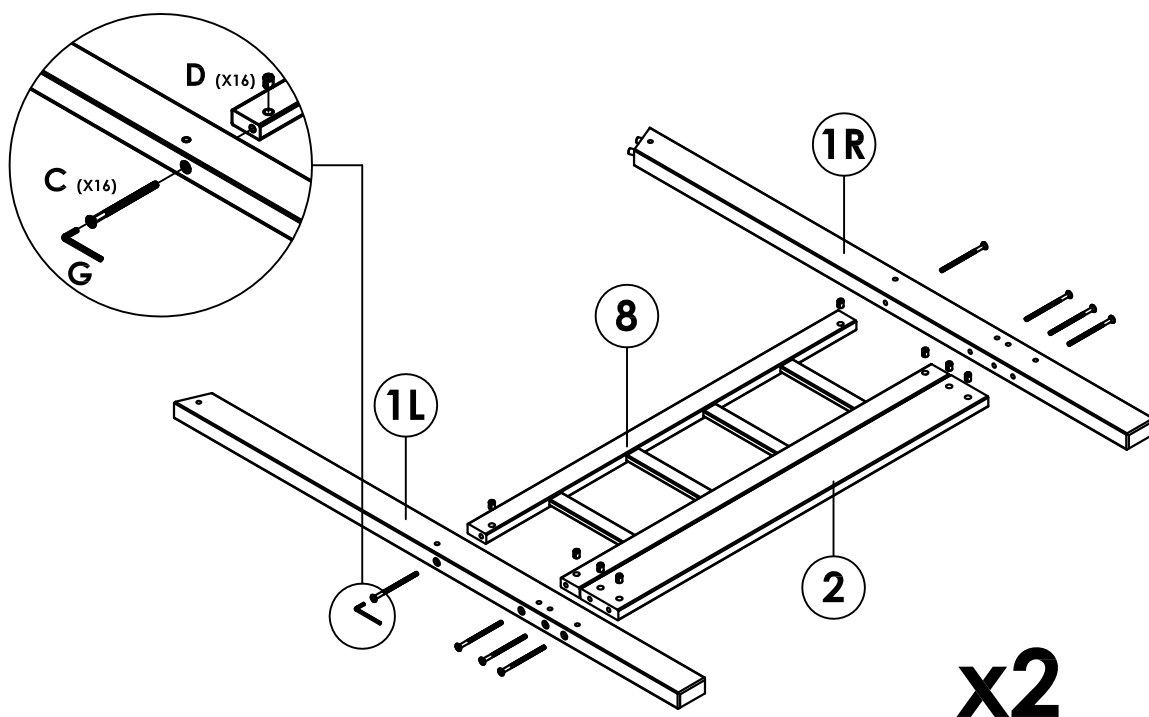


WOODEN SLAT
(12 PCS / SET)
CARTON 1 OF 2



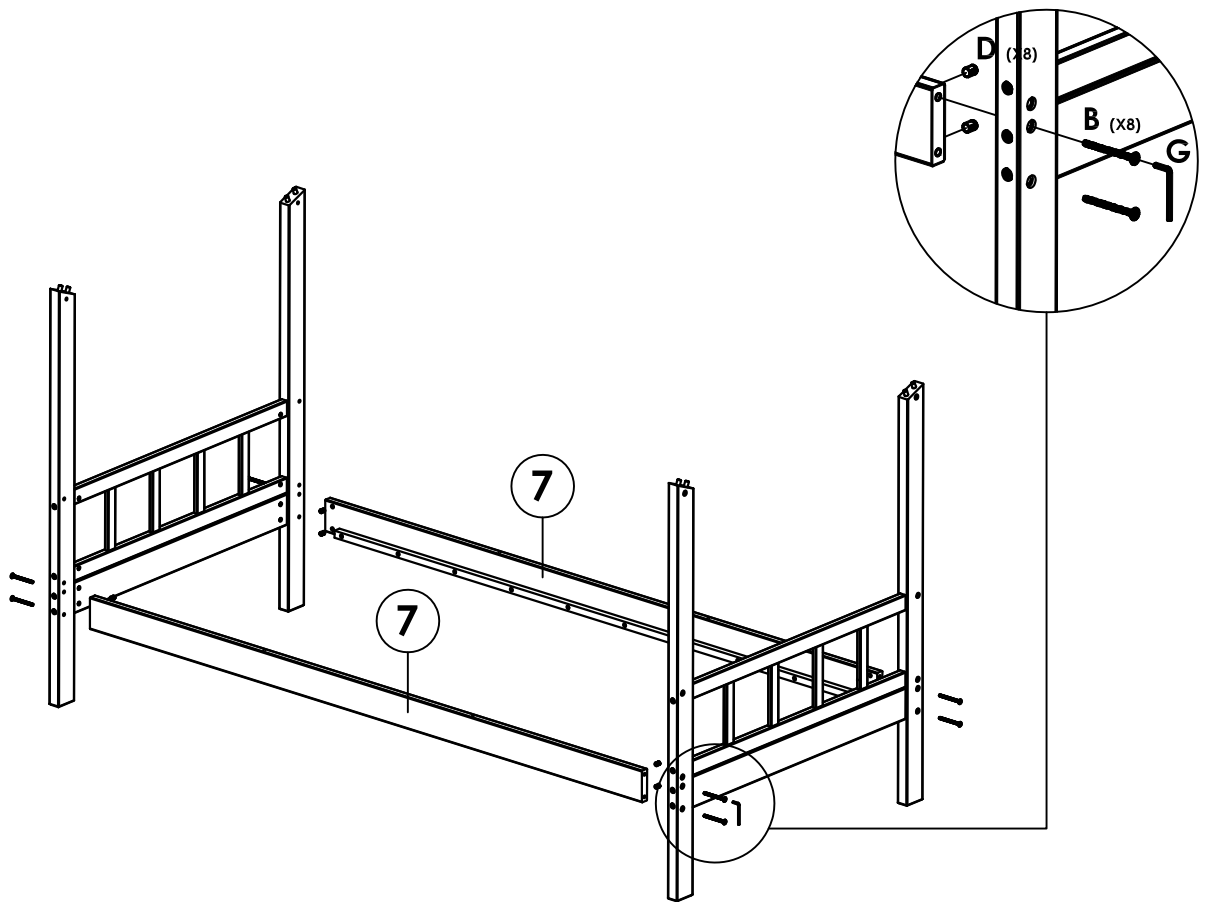
STEP 1

Insert (A) into $\varnothing 10\text{MM}$ holes on **Headboard Post (L/R)** and **Support Rail (Top)**.



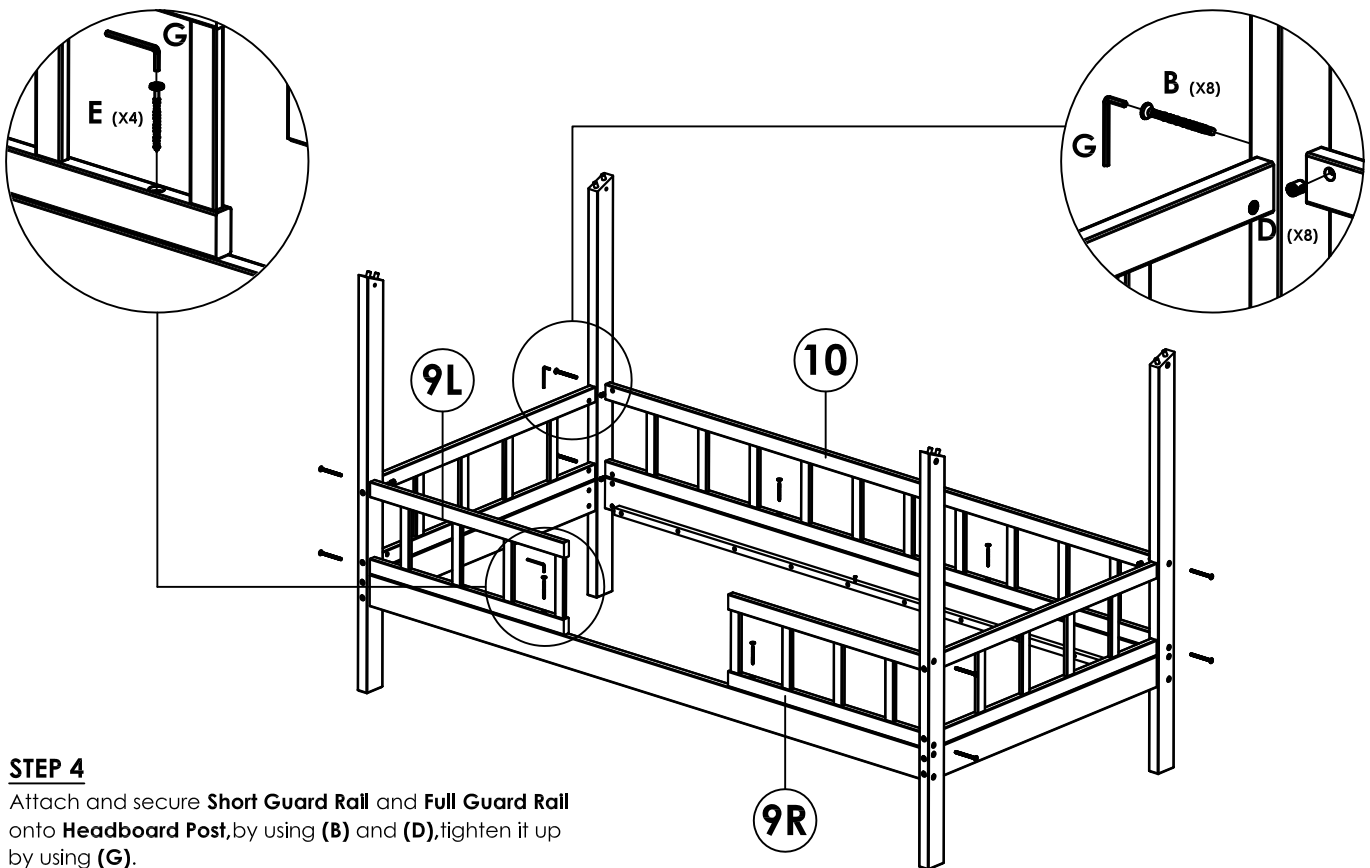
STEP 2

Attach and secure **Headboard Rail** and **Headboard Guard Rail** onto **Headboard Post (L/R)** by using (C) and (D), tighten it up by using (G).



STEP 3

Attach and secure **Headboard Post** onto **Side Rail**, by using **(B)** and **(D)**,Screw it in by using **(G)**,but **DO NOT** tighten it up yet.

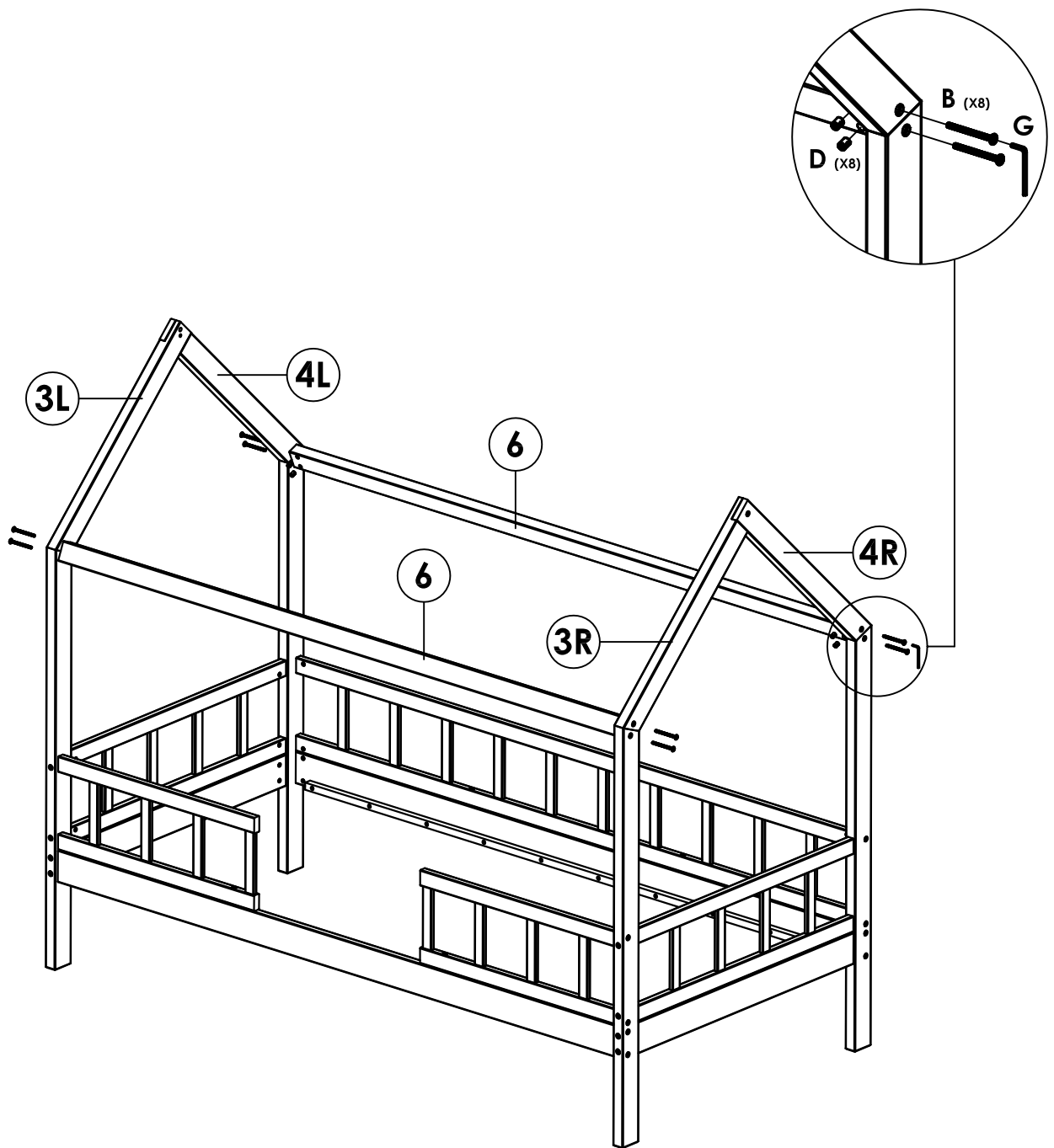


STEP 4

Attach and secure **Short Guard Rail** and **Full Guard Rail** onto **Headboard Post**,by using **(B)** and **(D)**,tighten it up by using **(G)**.

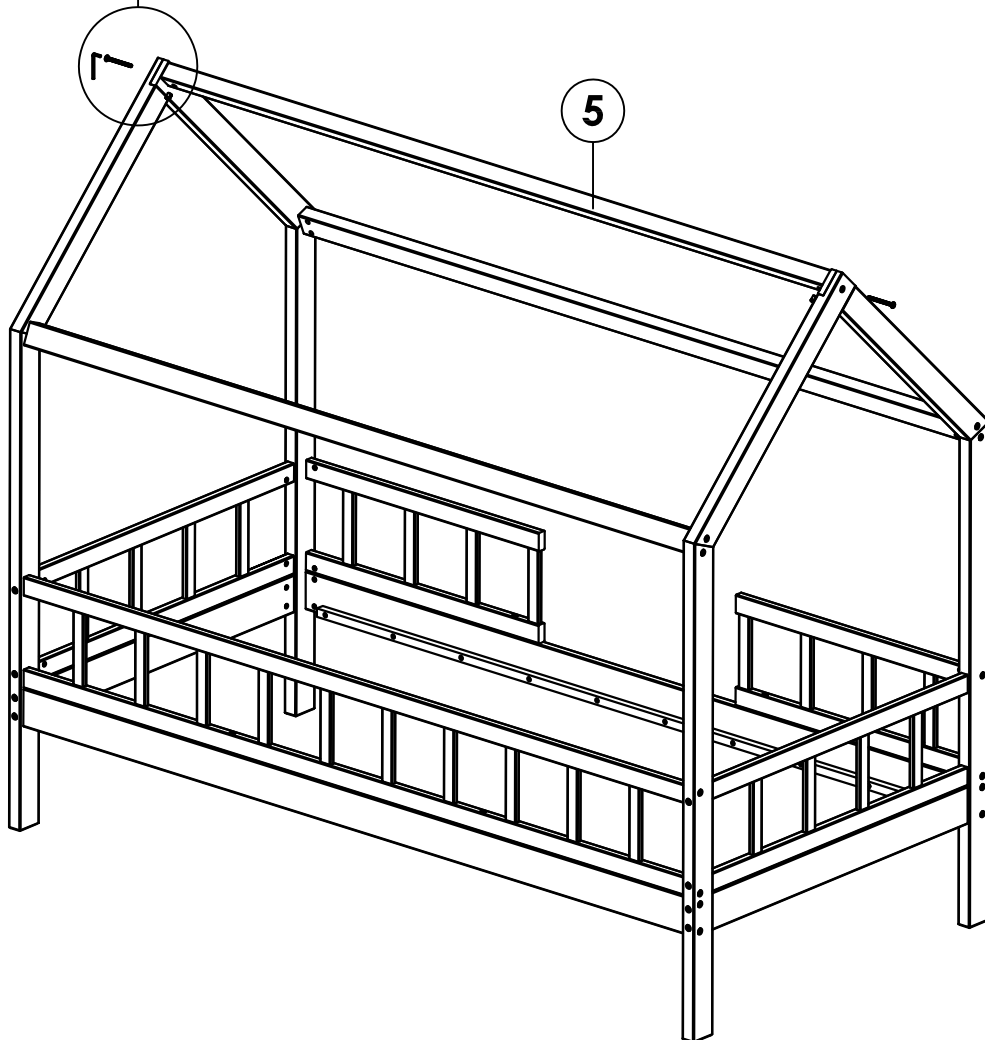
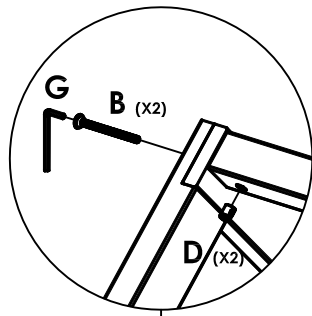
Go on screw **(E)** onto **Short Guard Rail** and **Full Guard Rail** tighten it up by using **(G)**.

Remember to tighten it up all fitting on **STEP 3**.



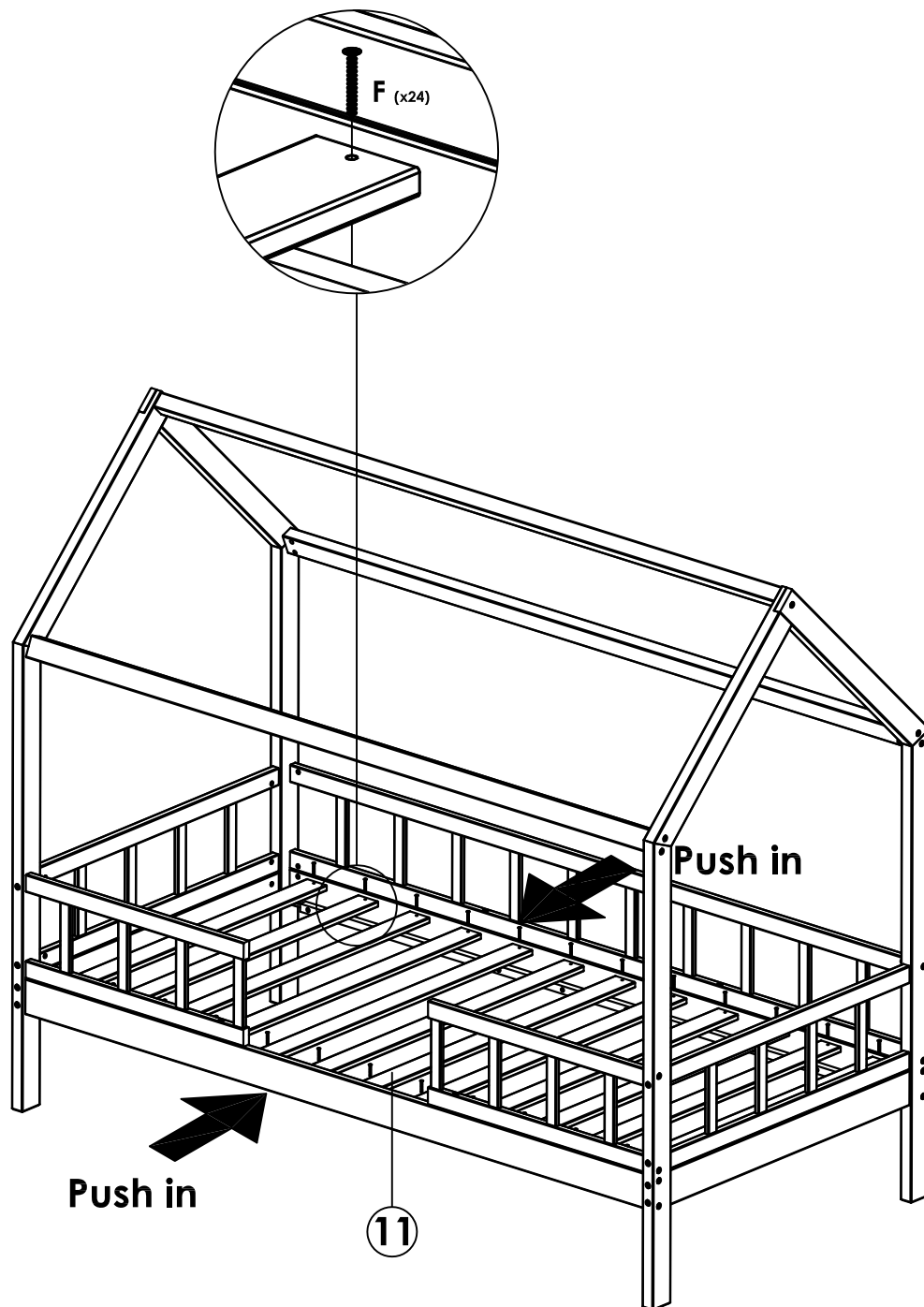
STEP 5

Attach and secure **Support Rail (Middle)** onto **Headboard Post (L/R)** and **Headboard Roof (L/R)** by using **(B)** and **(D)**, tighten it up by using **(G)**.



STEP 6

Attach and secure **Support Rail (Top)** onto **Headboard Roof** by using **(B)** and **(D)**, tighten it up by using **(G)**.



STEP 7

Attach and secure **Wooden Slat** onto both **Side Rail** by using **(F)**, tighten it up by using a Crosshead Screw Driver.

Remark:

i). Please lift up one side of Headboard to straighten the bed.

ii). Align the last and first slat and tighten the screw on both end side.

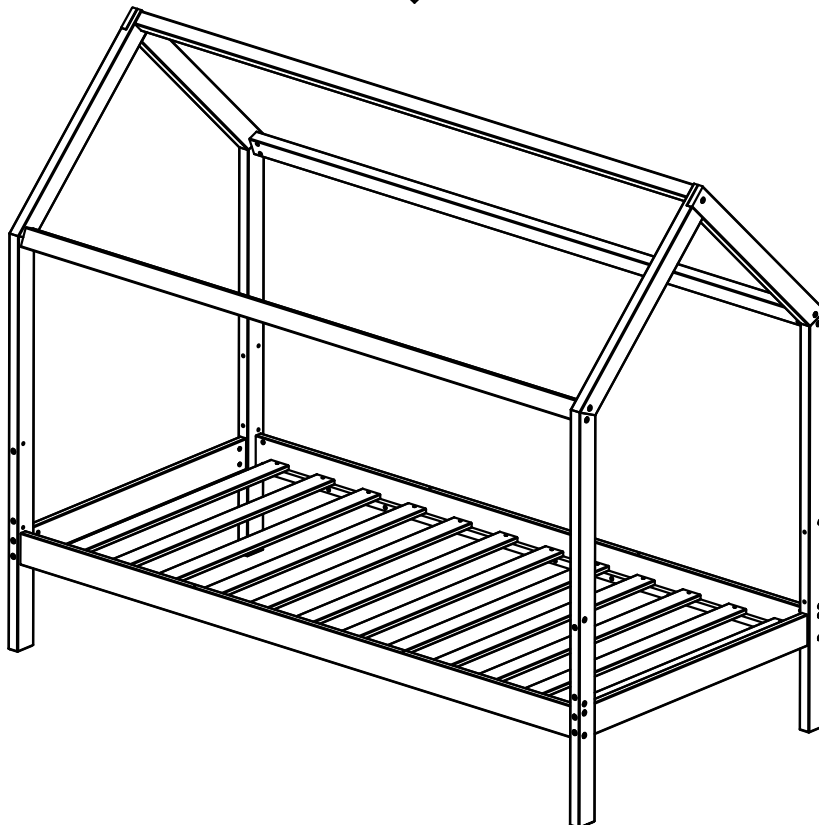
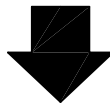
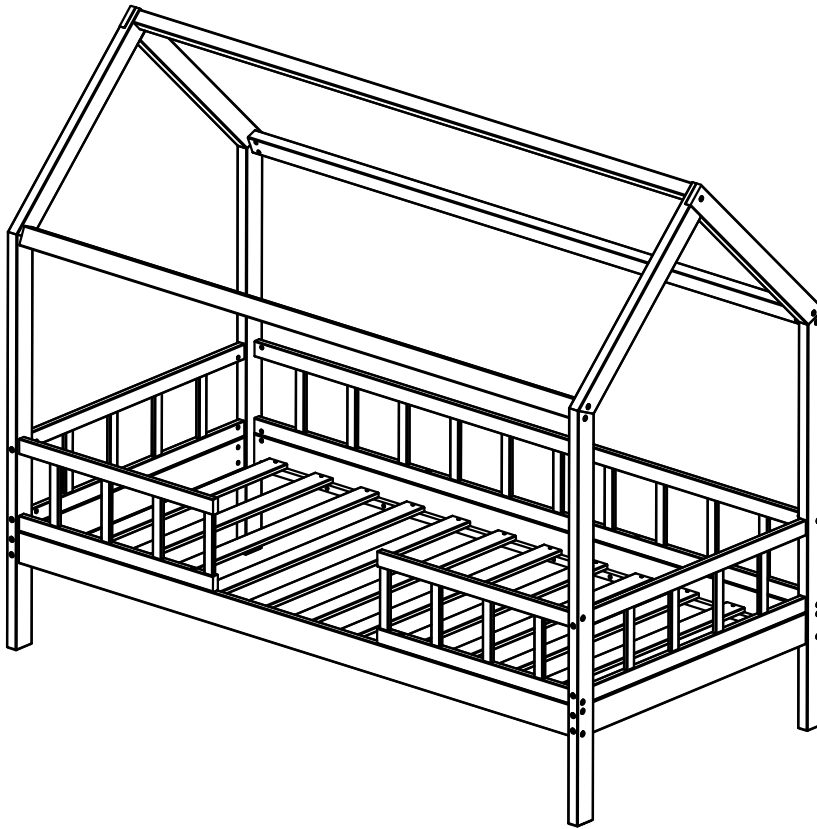
iii). Side Rail is flexible, screw on one side of centre slat first, then push the other side on the centre part of the side rail gently then tighten the screw. If necessary you may need to push the centre of side rail and pull the slat gently toward you all the same time which will close the gap.

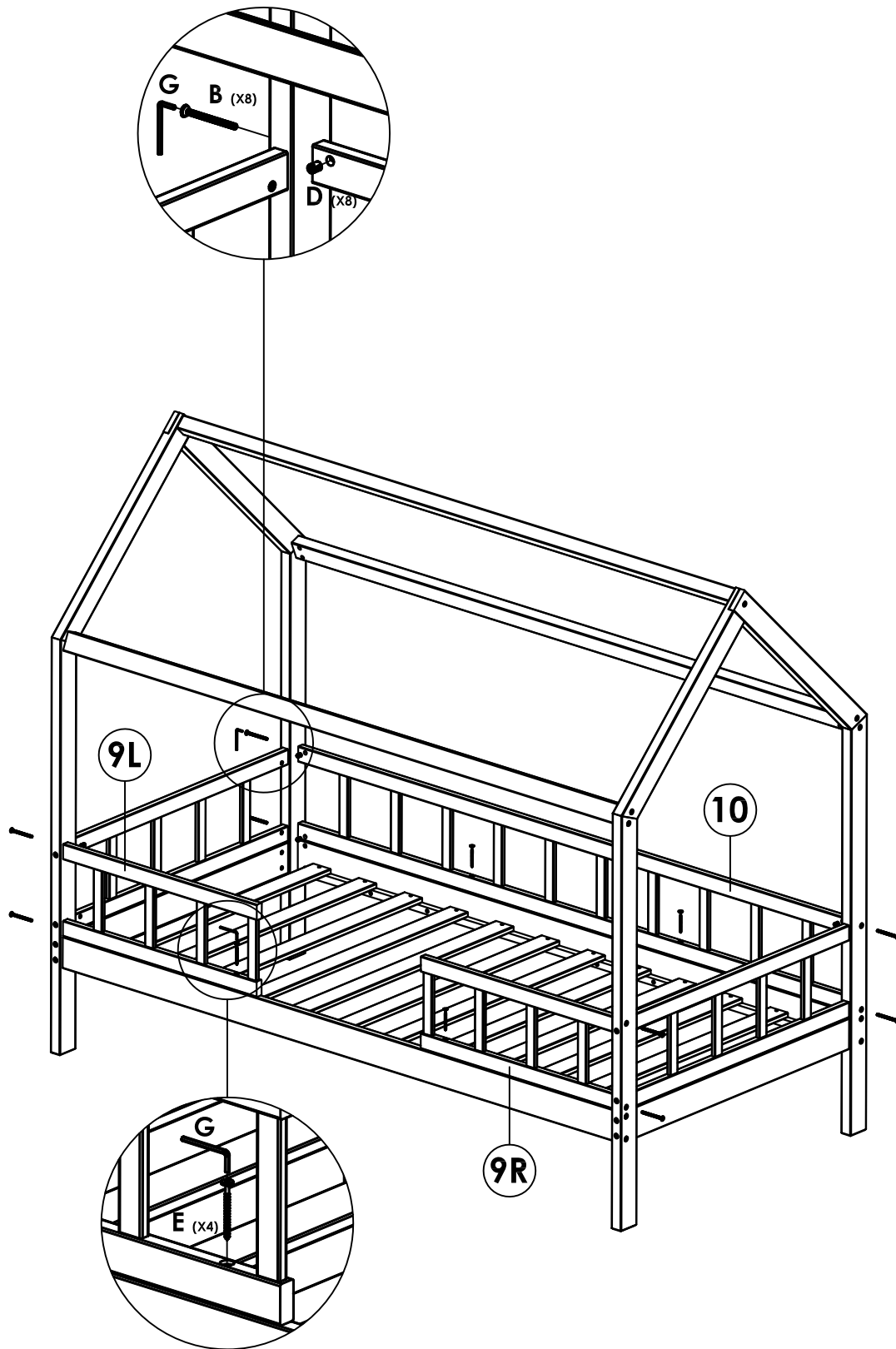
iv). Tighten the rest of the screw.

Convertible Feature

This bed is able to remove the fence from the bed. Follow the instructions given.

This assembly must be completed by at least 2 person.

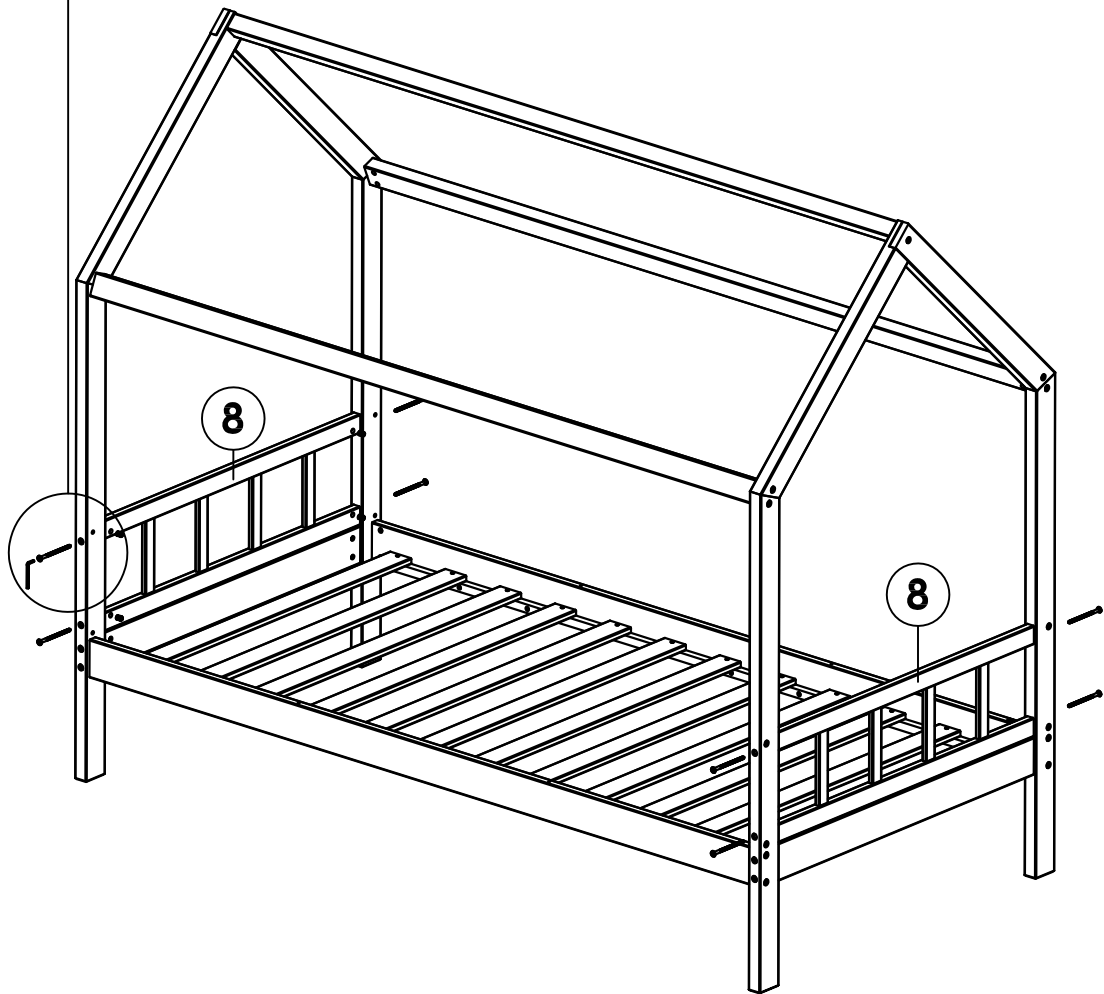
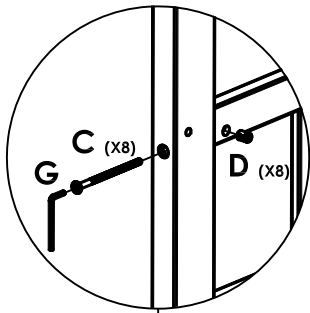




STEP 1 (Convertible)

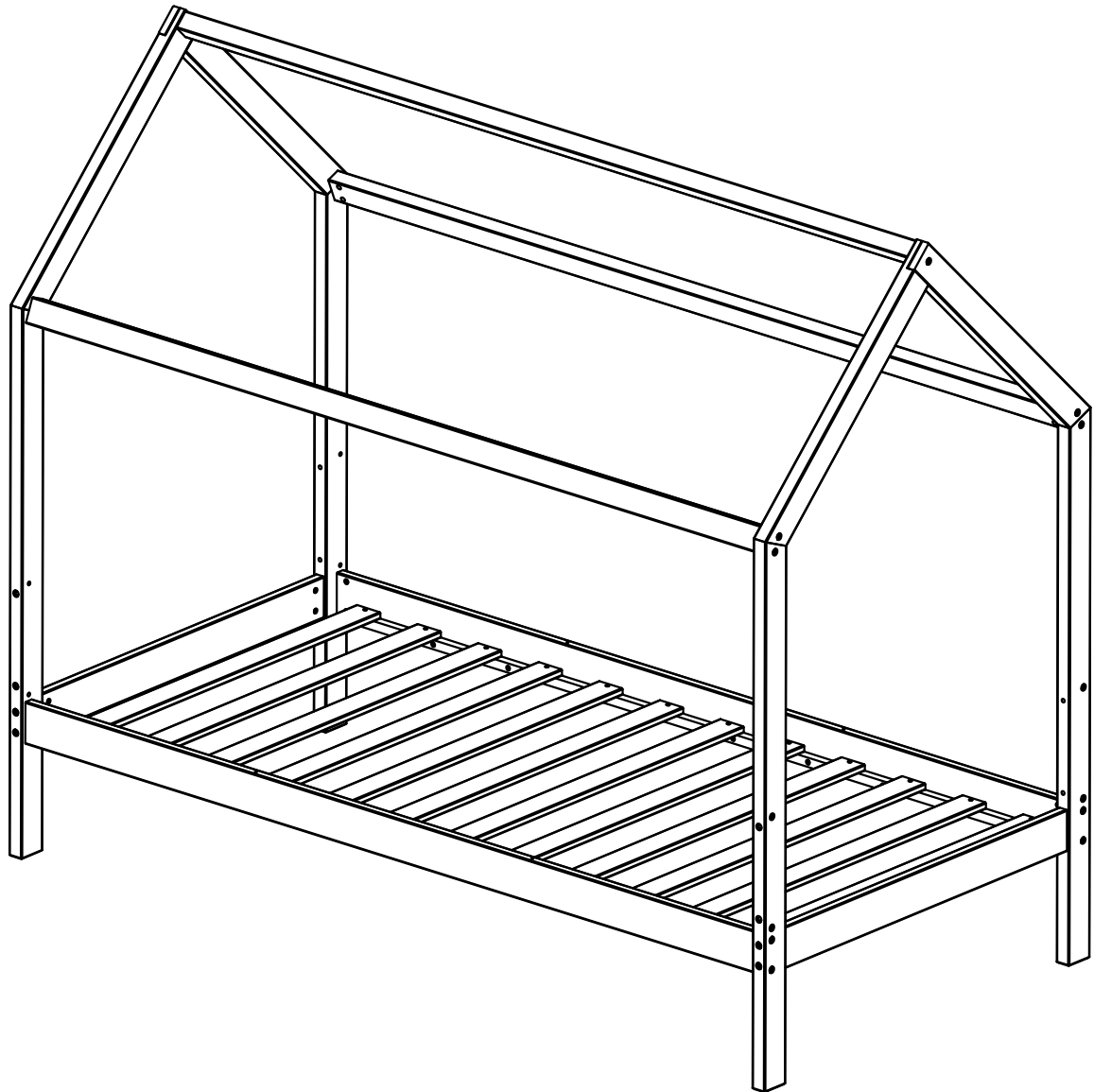
Unscrew **(B)** and **(D)** for unattach **Short Guard Rail (L/R)** and **Full Guard Rail** onto **Headboard Post** by using **(G)**.

Go on Unscrew **(E)** for unattach **Short Guard Rail** and **Full Guard Rail** onto **Side Rail** by using **(G)**.



STEP 2 (Convertible)

Unscrew **(C)** and **(D)** for unattach **Headboard Guard Rail** onto **Headboard Post (L/R)** by using **(G)**.



The convertible feature assembly of the IQ190-BW Single House Bed has been successfully completed.