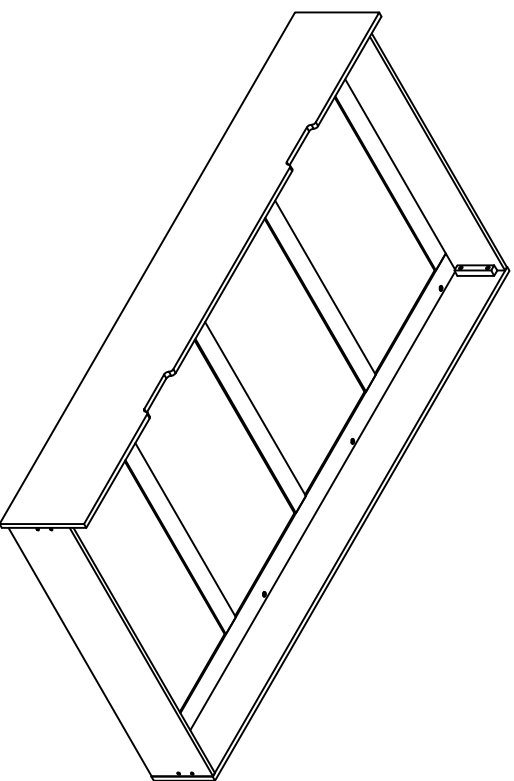


# ASSEMBLY INSTRUCTIONS



### ASSEMBLY TIPS

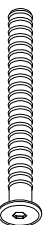


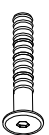
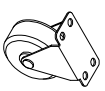


1. Remove hardware from box and sort by size.
2. Please check to see that all hardware and parts are present prior start of assembly.
3. Please follow attached instructions in the same sequence as numbered to assure fast and easy assembly.



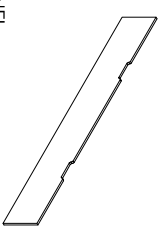
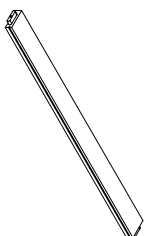
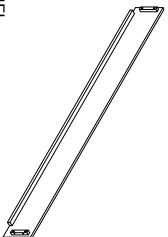
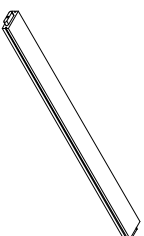
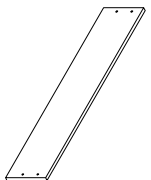
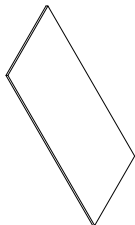

### Warning !

1. Don't attempt to repair or modify parts that are broken or defective. Please contact the store immediately.
2. This product is for home use only and not intended for commercial establishments.

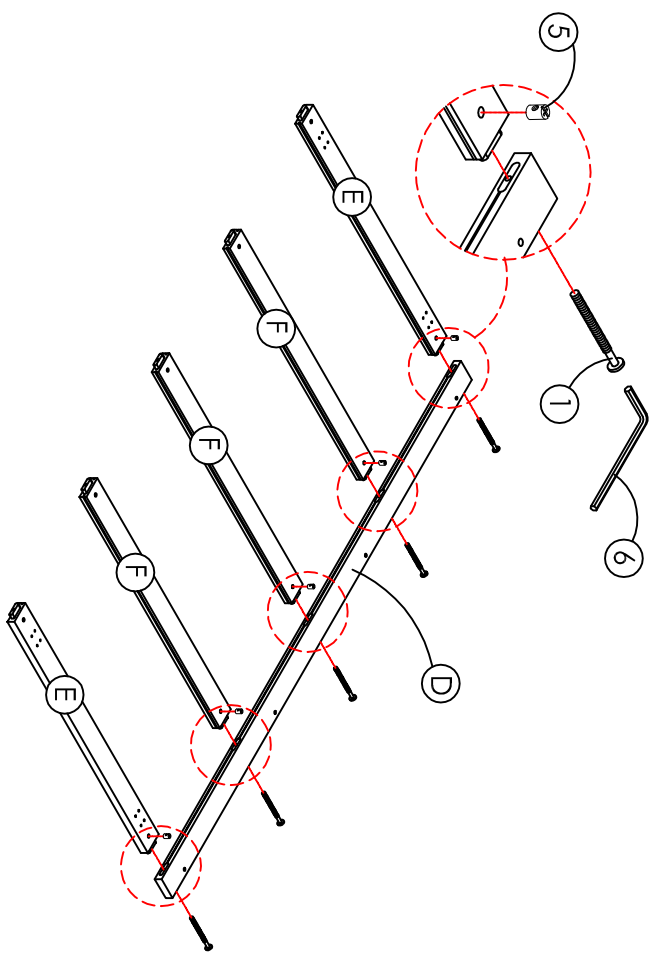
### HARDWARE LIST

1		10 PCS	5		10 PCS
JCBC	M6 x 100mm	8 PCS	6		1 PC
2		8 PCS	7		4 PCS
JCBC	M6 x 30mm	8 PCS	WHEEL		
3		16 PCS			
WOOD SCREW	4.0 x 30mm				
4					
WOOD SCREW	3.5 x 16mm				

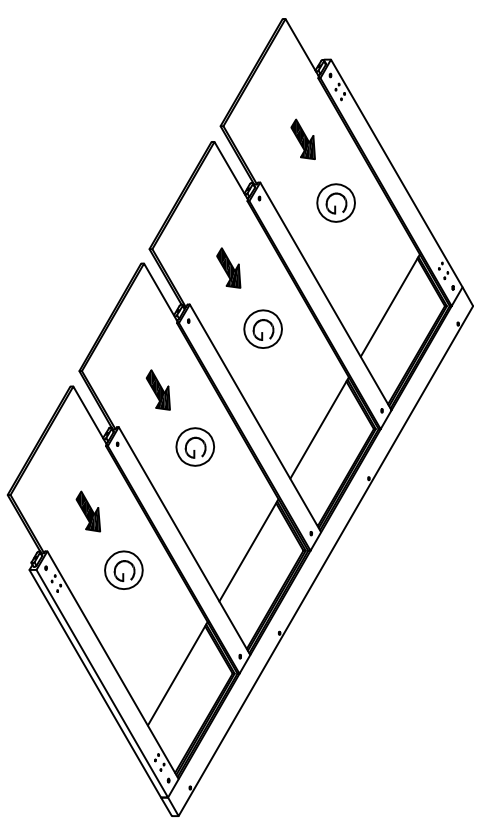
### COMPONENT LIST

A		1 PC	E		2 PCS
FRONT PANEL			BOTTOM RAIL SUPPORT (LEFT & RIGHT)		
B		2 PCS	F		3 PCS
BACK PANEL			BOTTOM RAIL SUPPORT (CENTER)		
C		2 PCS	G		4 PCS
SIDE PANEL			BOTTOM PANEL		
D		2 PCS			
BOTTOM RAIL					

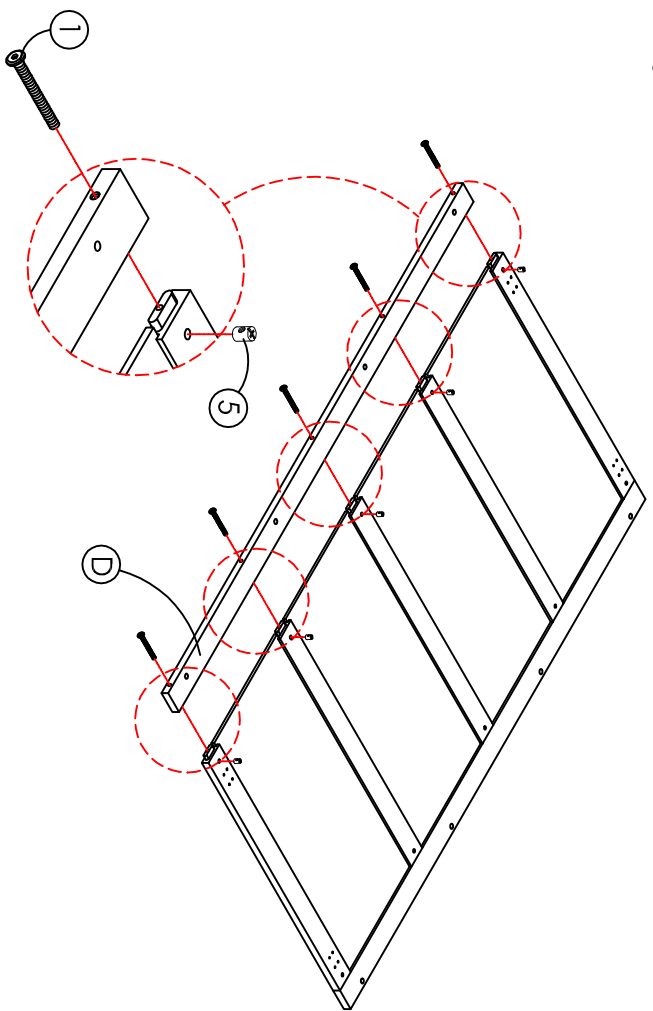
STEP 1



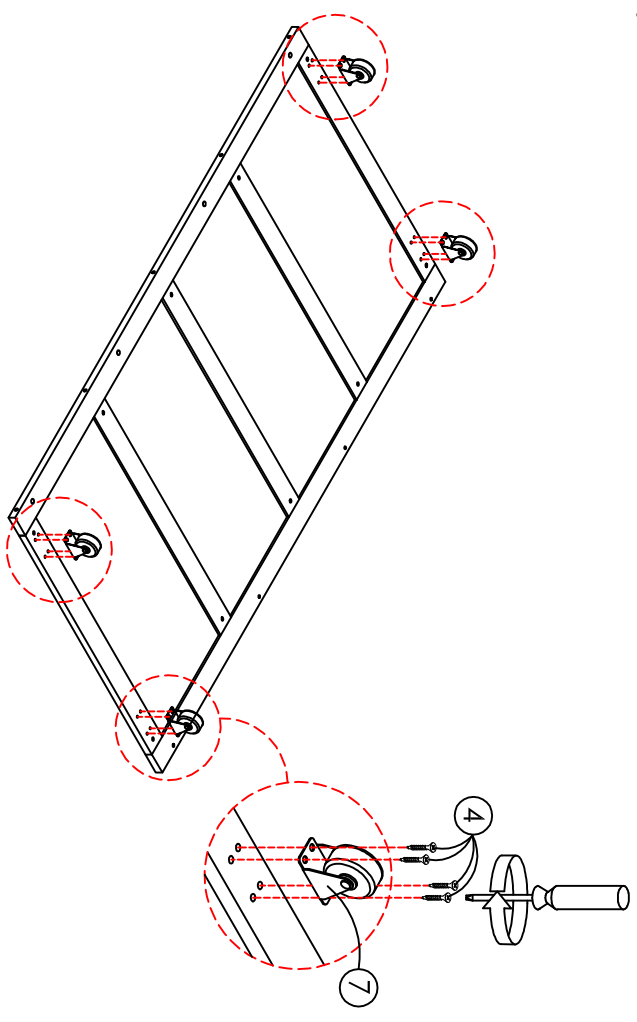
STEP 2



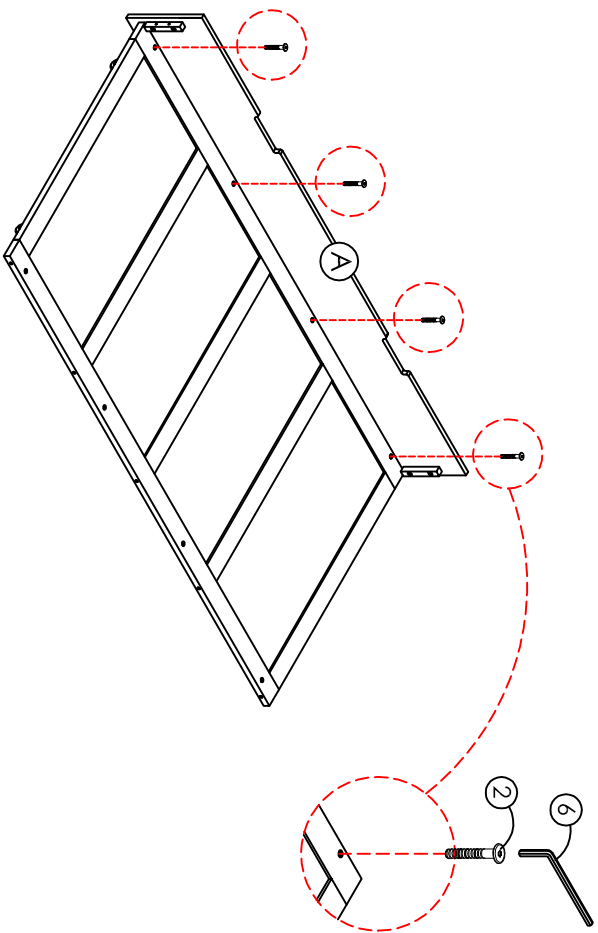
STEP 3



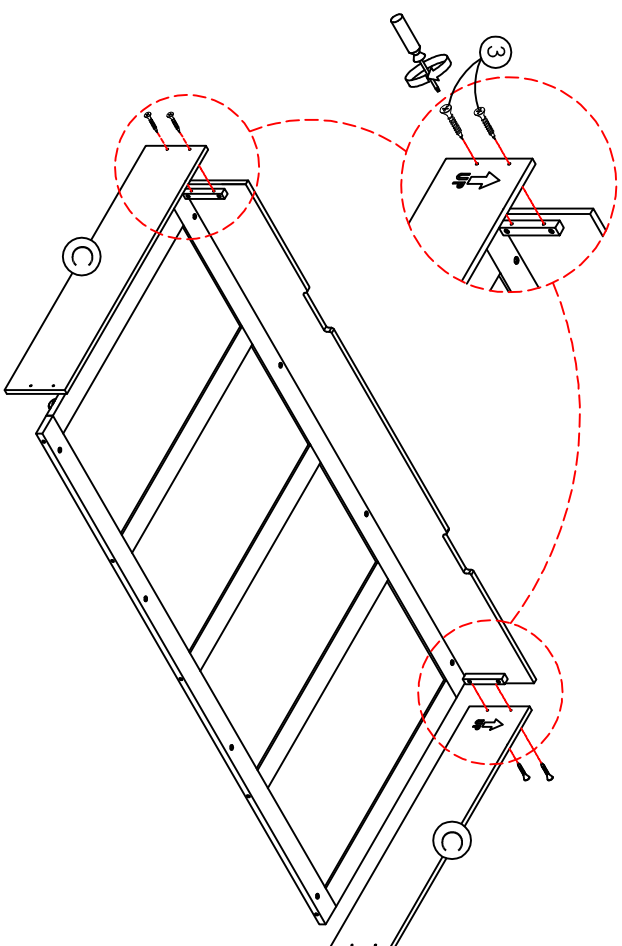
STEP 4



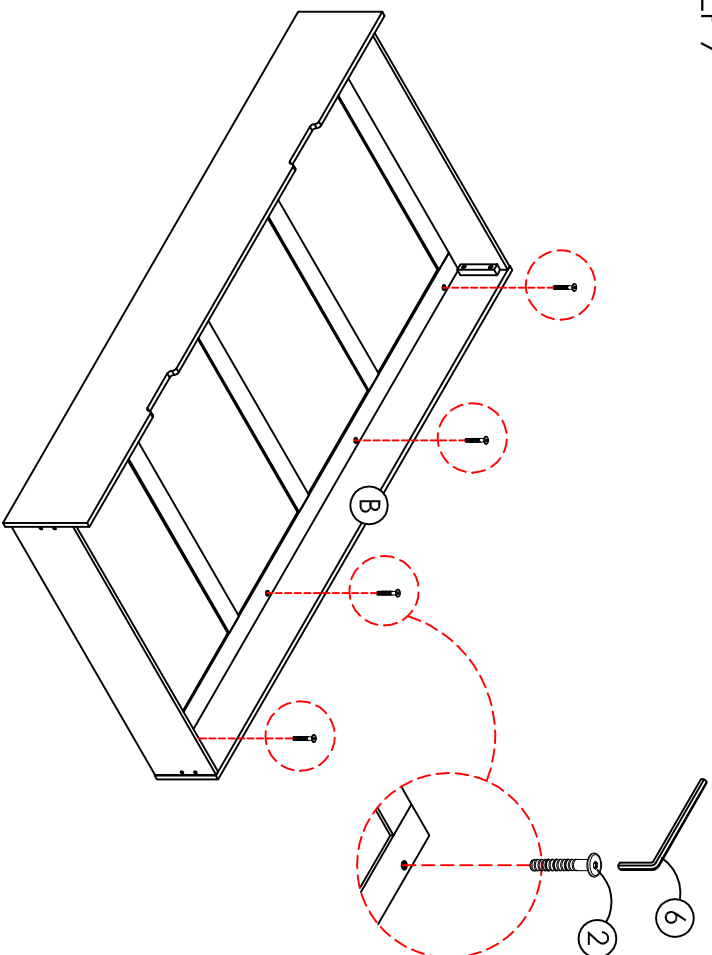
STEP 5



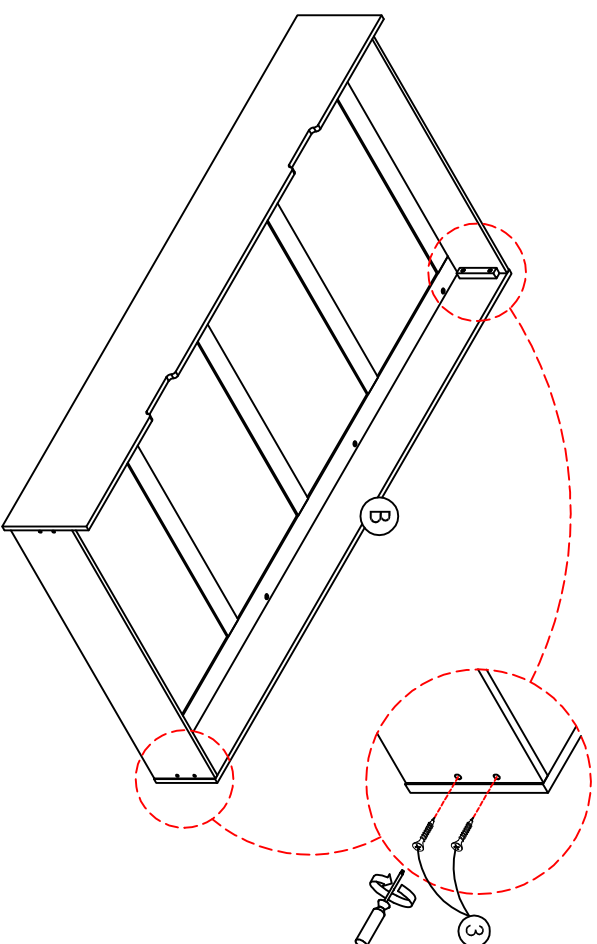
STEP 6



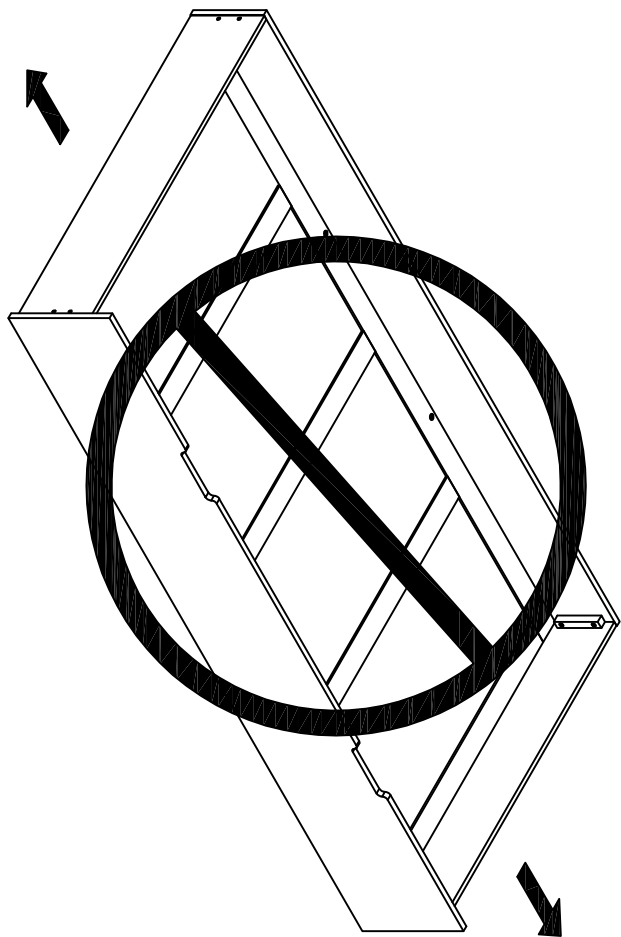
STEP 7



STEP 8



STEP 9



STEP 10

