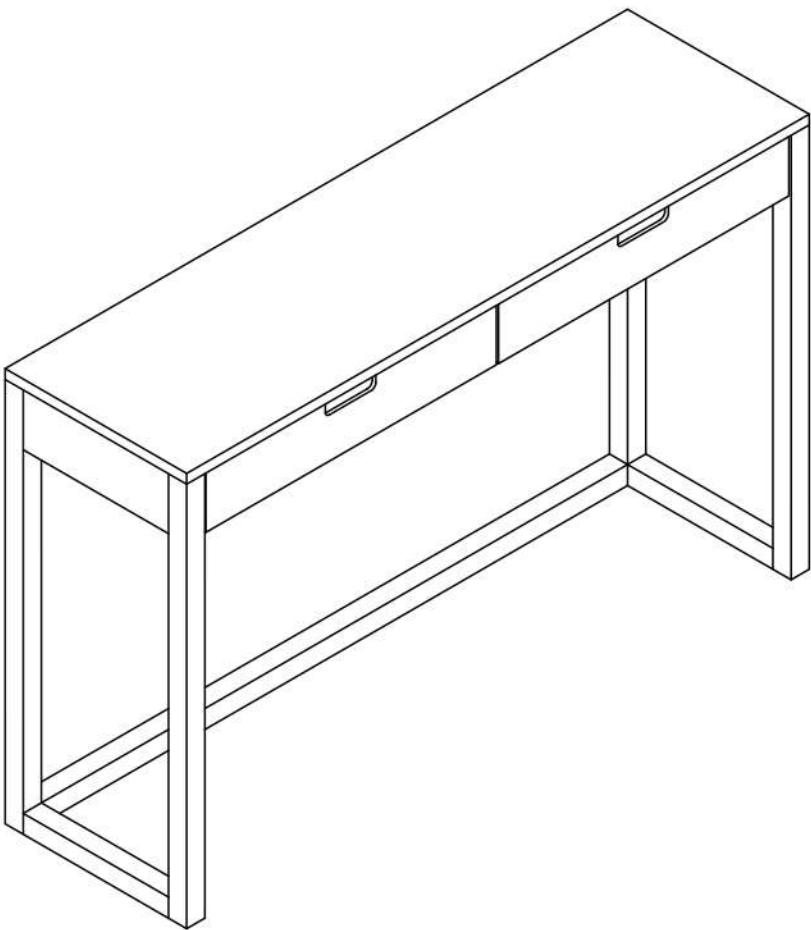
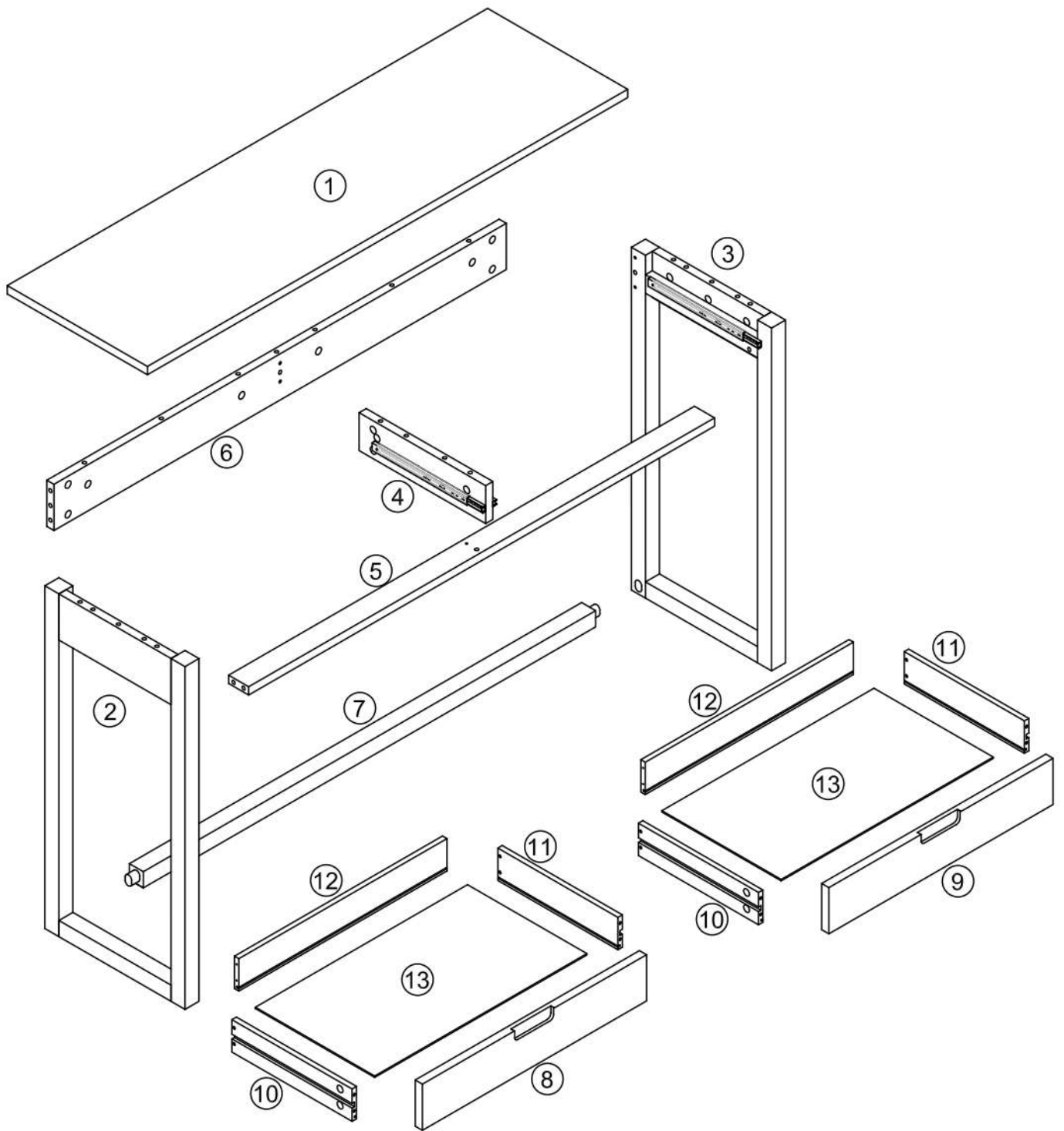



TEMPLE & WEBSTER





Ax28 

Bx28 

Cx15 

Dx9 

Ex1 

Fx2 

Gx2 

Hx1 




Jx1 

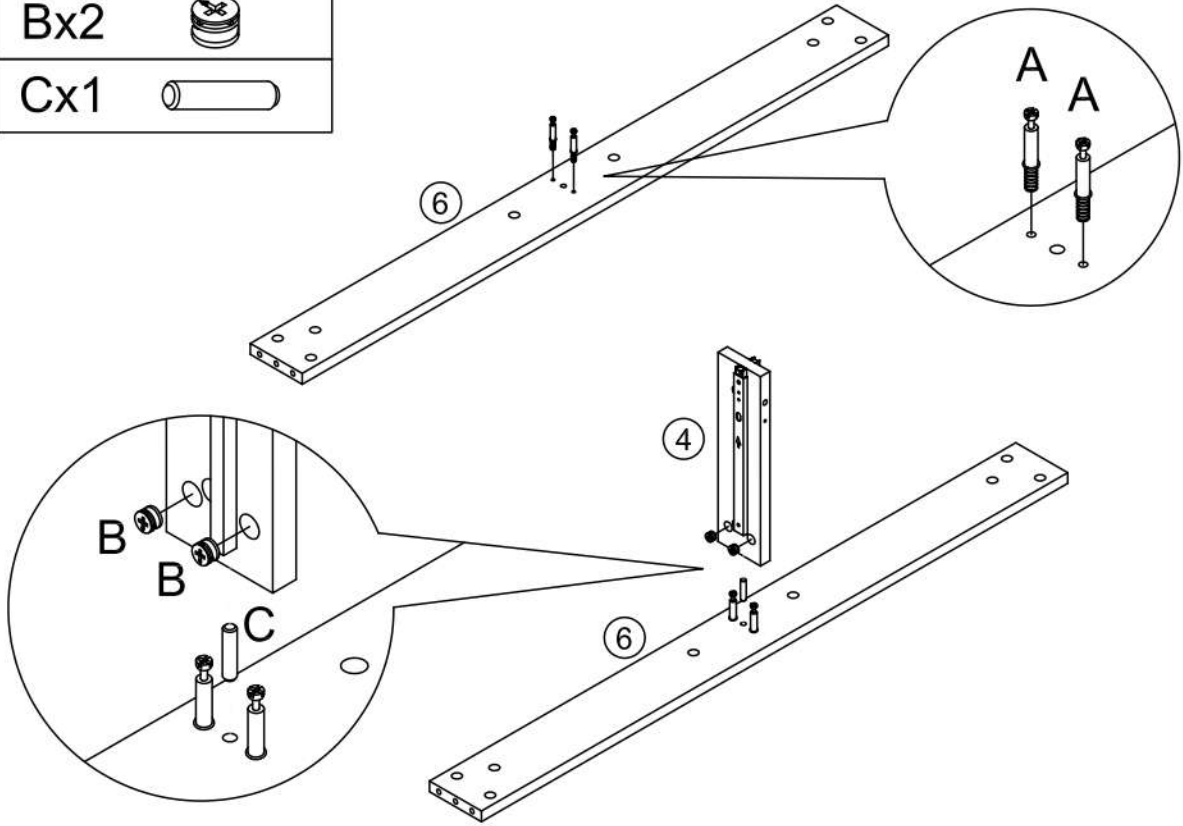
Kx1 

Lx4 

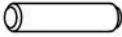

Mx4 

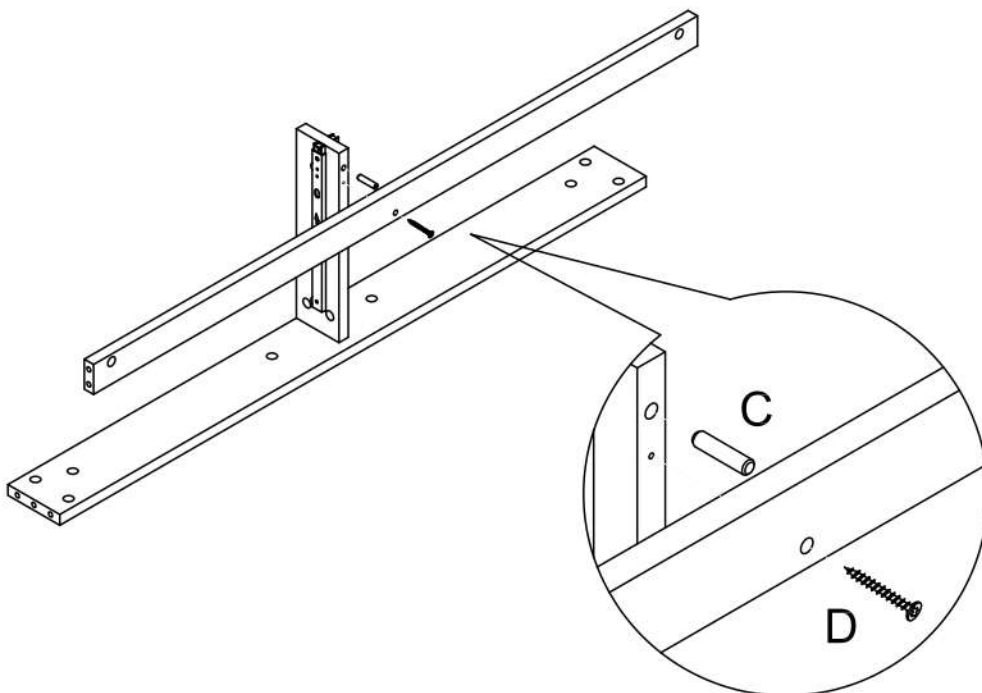
1

Ax2	
Bx2	
Cx1	




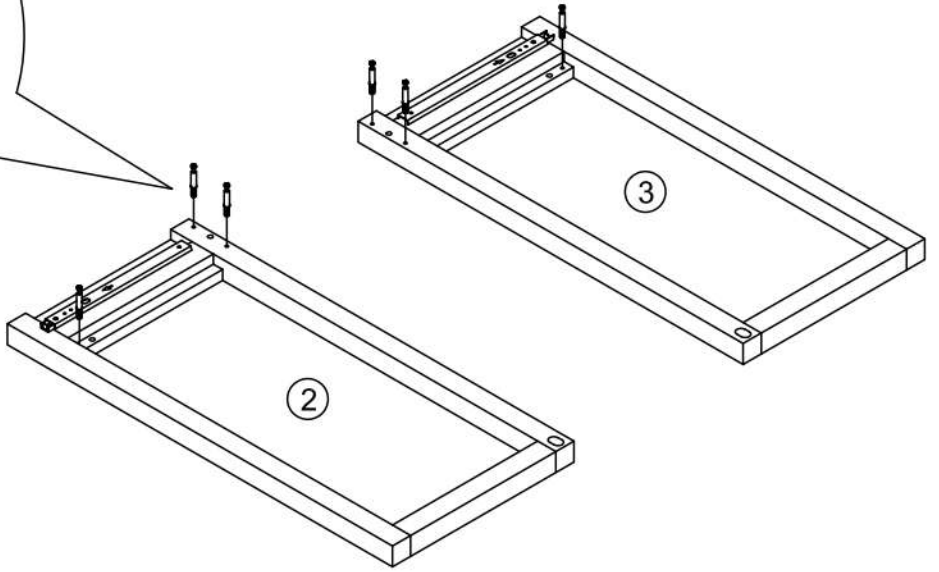
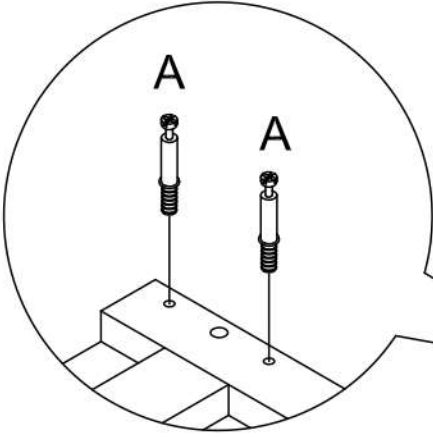
2

Cx1	
Dx1	





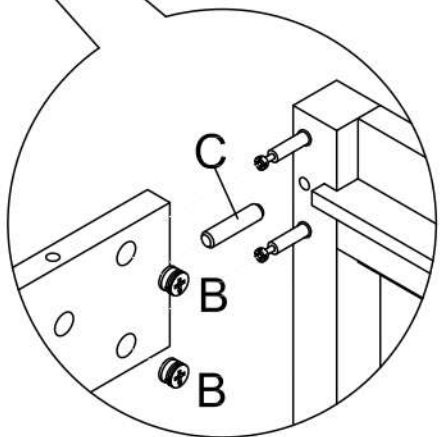
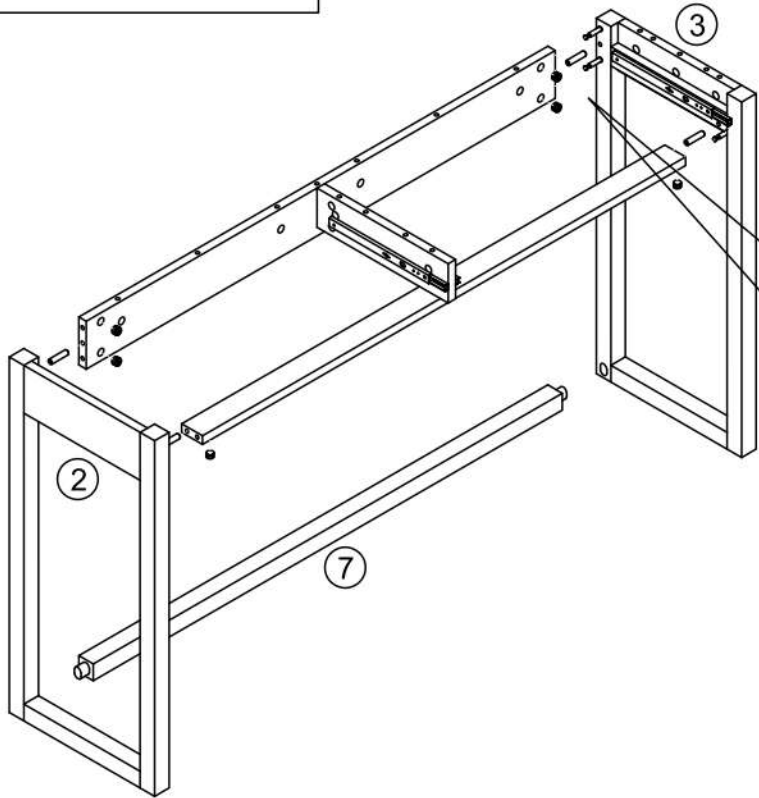
3

Ax6 



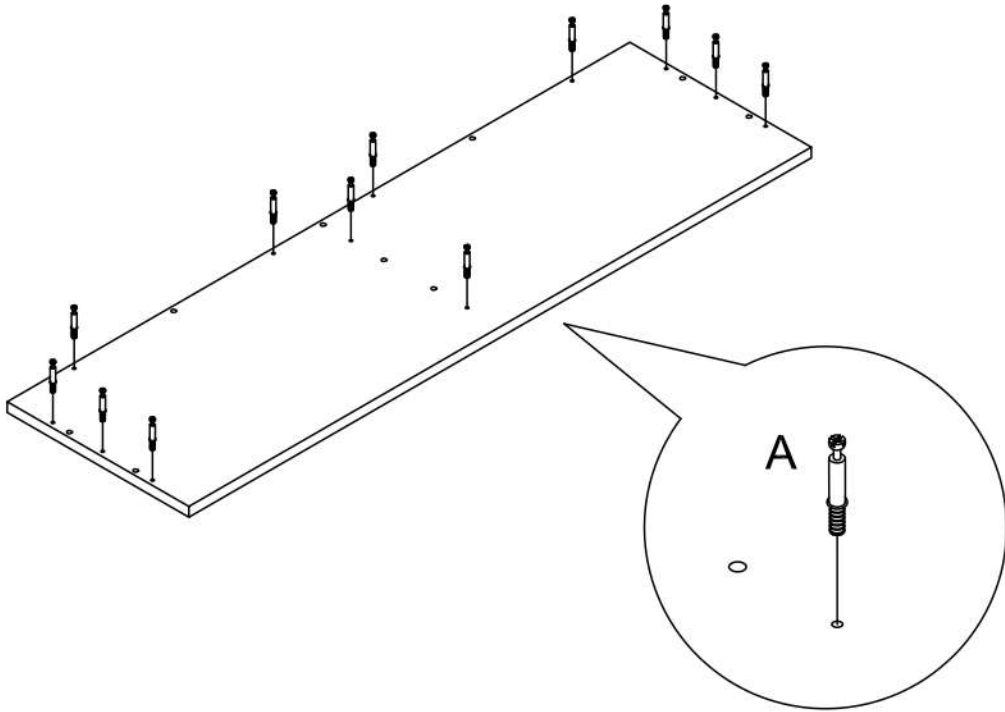
4

Bx6 
Cx4 


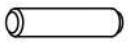


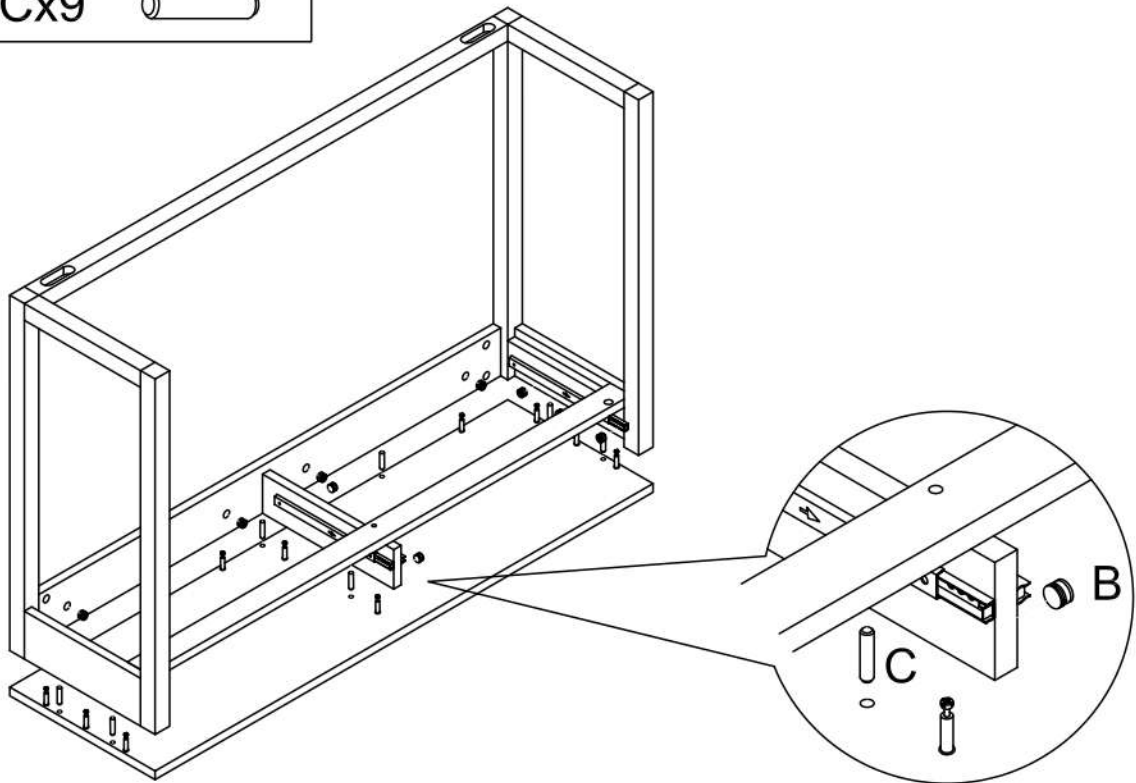
5

Ax12 

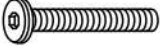





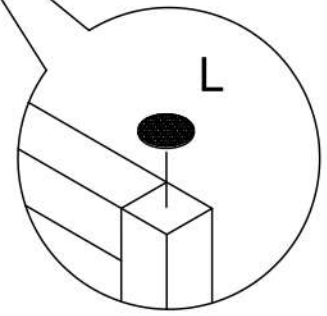
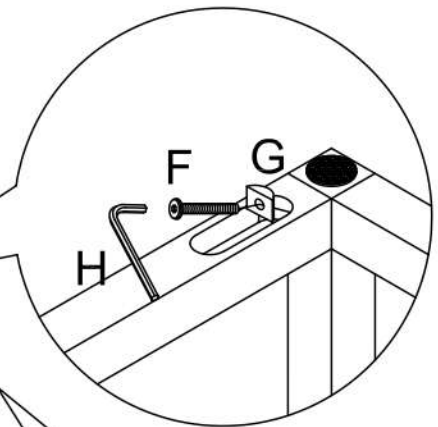
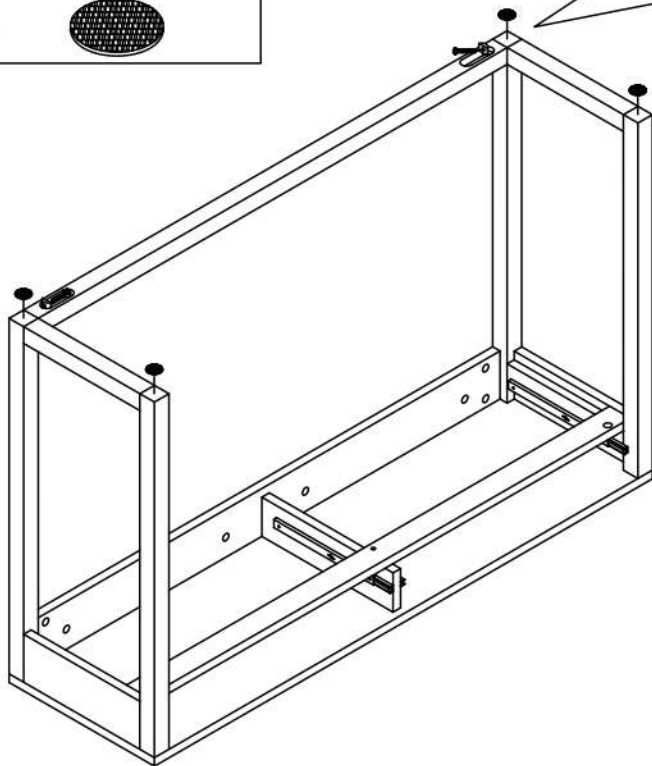
6

Bx12 
Cx9 

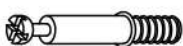


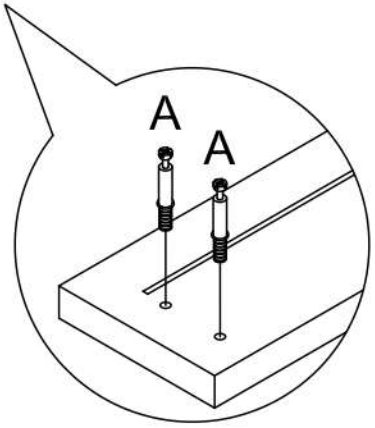
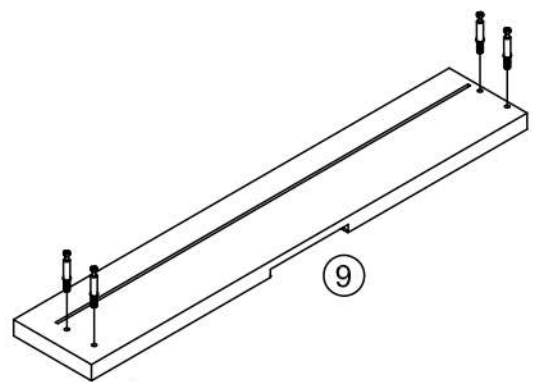
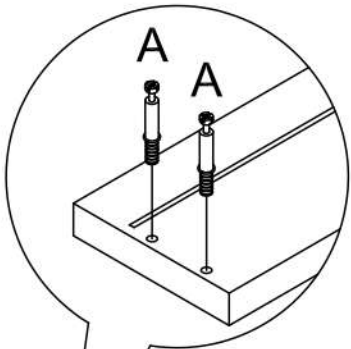
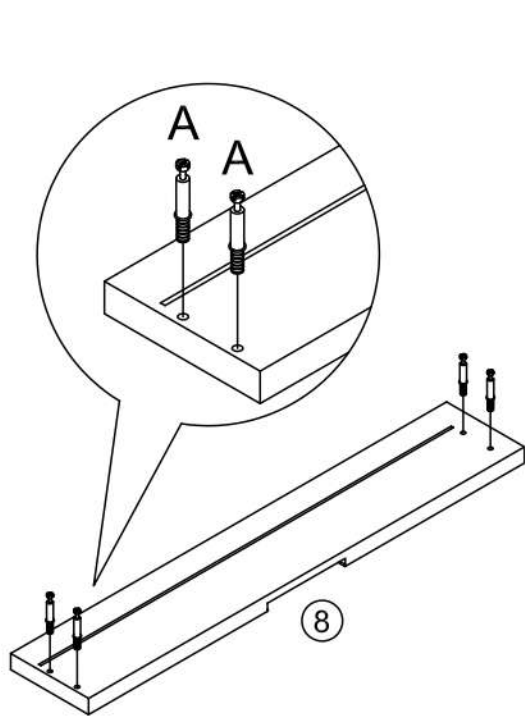
7

Fx2	
Gx2	
Hx1	
Lx4	


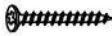


8

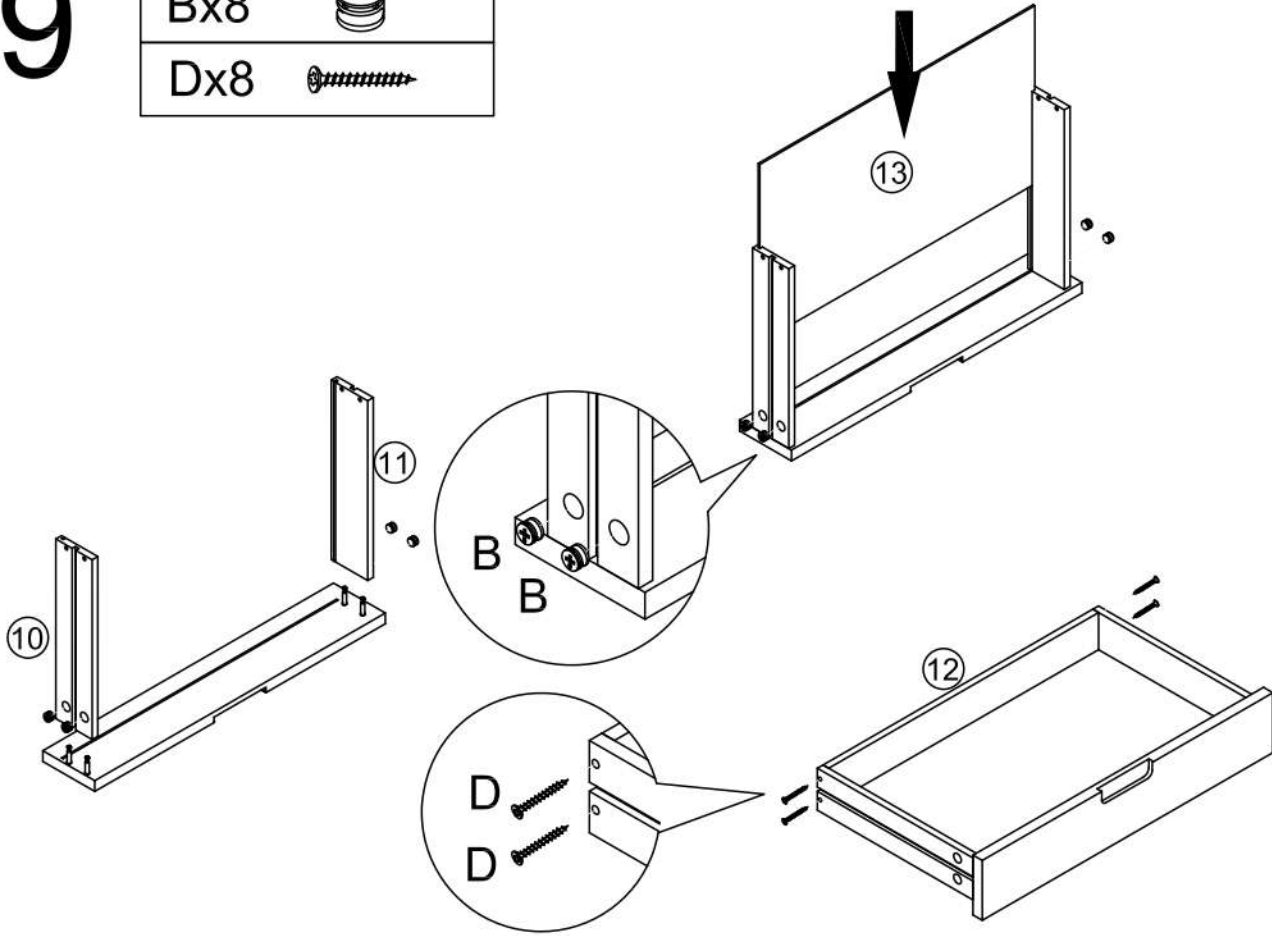
Ax8	
-----	---



9

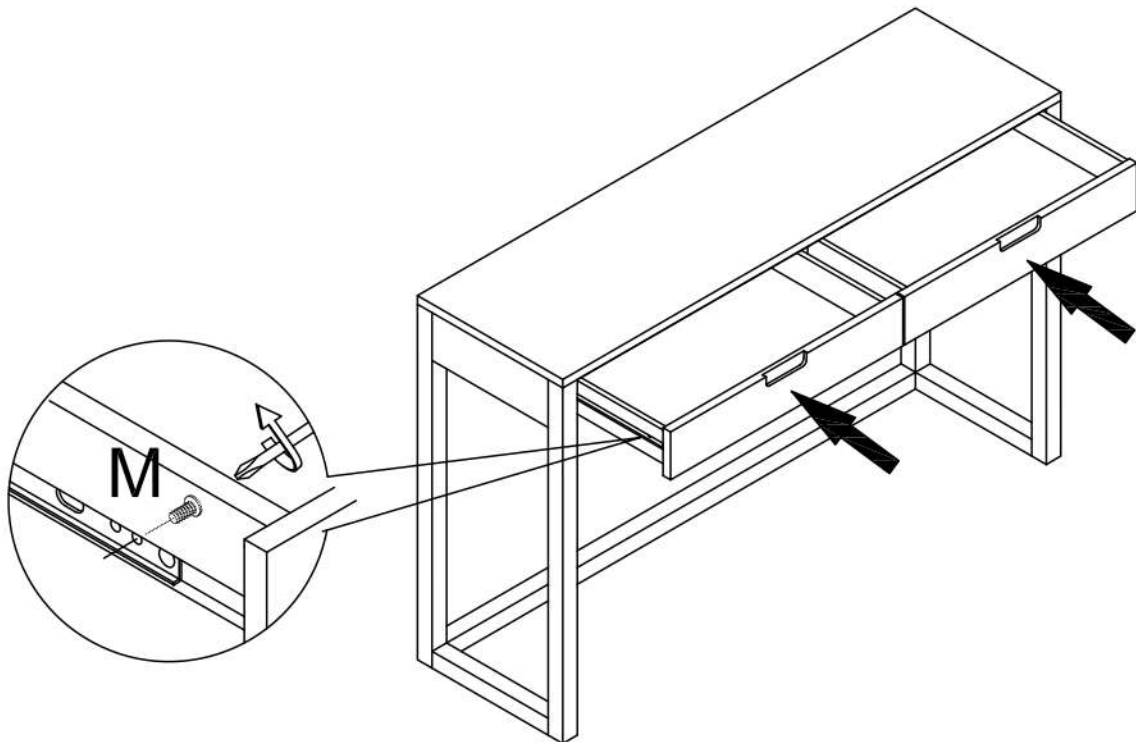
Bx8	
Dx8	

x2






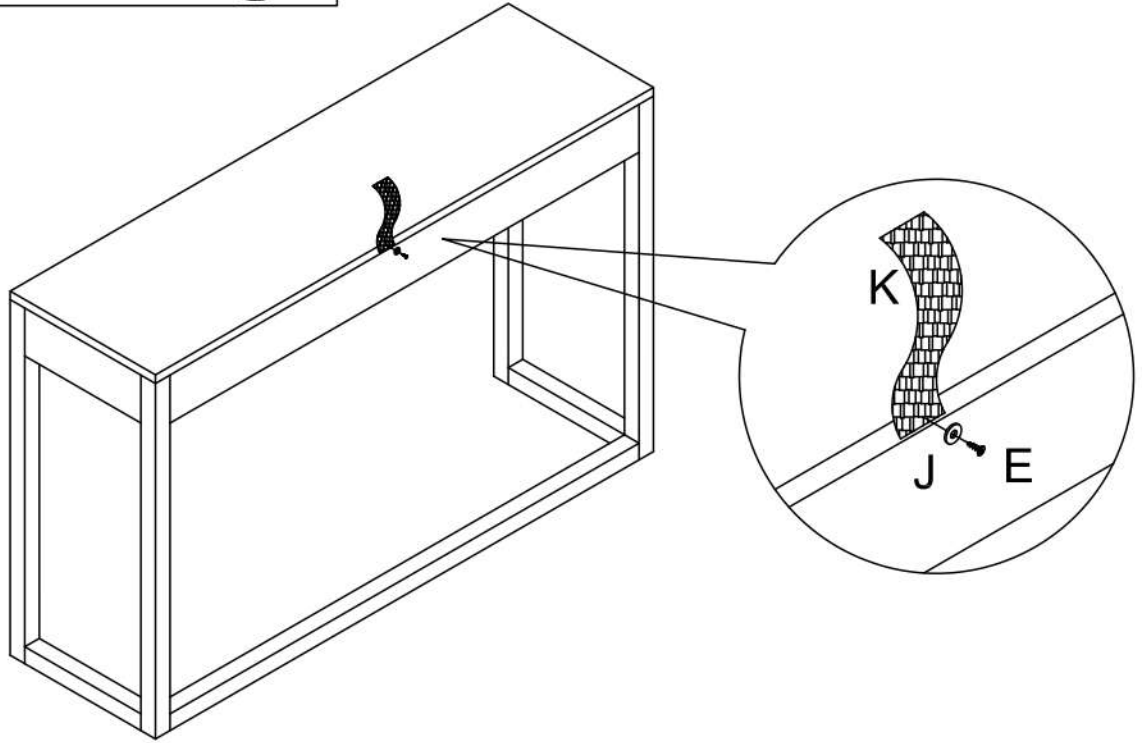
10

Mx4	
-----	---



11

Ex1	
Jx1	
Kx1	



12

