




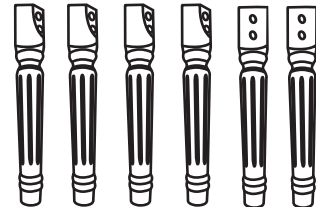
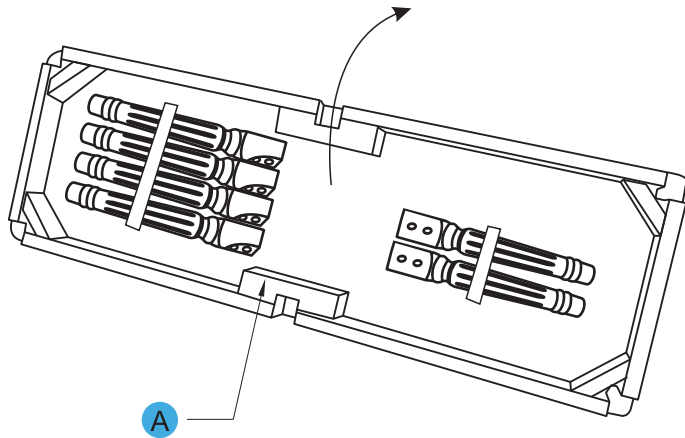



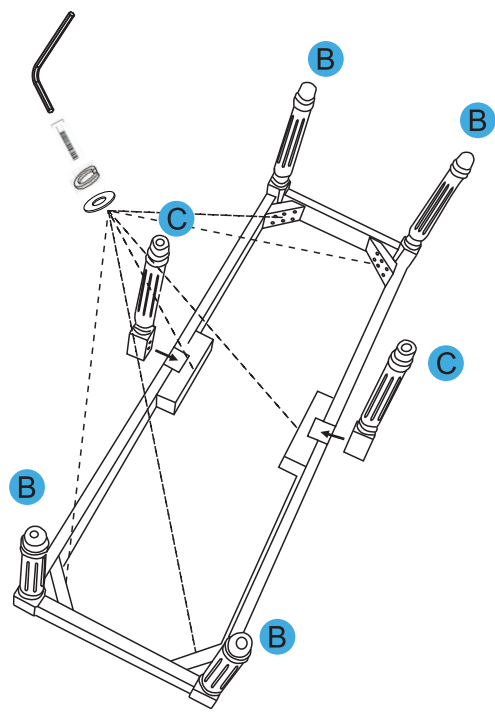





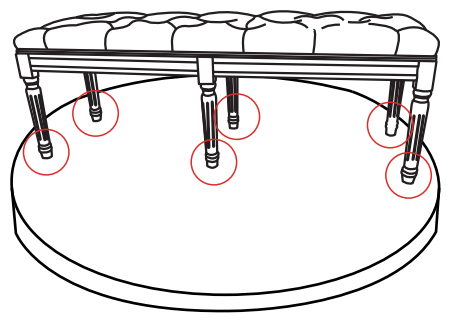
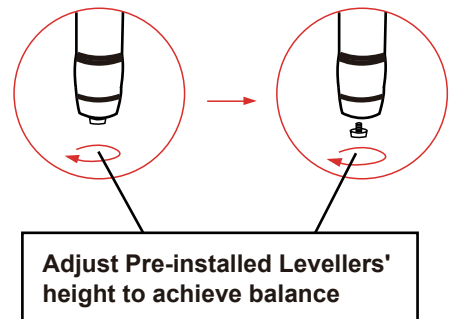
 <p>Ax1 pcs</p>	 <p>Bx4 pcs</p>	 <p>Cx2 pcs</p>
 <p>Dx12 pcs</p>	 <p>Ex12 pcs</p>	 <p>Fx12 pcs</p>
<p>1</p>  <p>Open the Seat Base Cover to find the legs inside!</p> 	<p>A X1</p> 	<p>B X4</p> 
	<p>C X2</p> 	

2



<p>B X4</p> 
<p>C X2</p> 
<p>D X12</p> 
<p>E X12</p> 
<p>F X12</p> 

Adjust Pre-installed Levellers' height to achieve balance

Place the ottoman on a Level Surface to see if it wobbles.
 If it wobbles, adjust Pre-installed Levellers' height to achieve balance.
 If no wobbles are found, proceed to tighten all the Bolts.
 Note: When tightening the Bolts, tighten sequentially. Do not tighten any Bolt fully and then move towards the next one. This could cause the frame to warp.
 Note: If the ottoman is not stable, it could lead to damage to the product.