



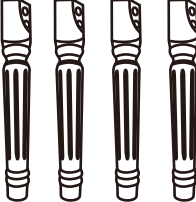

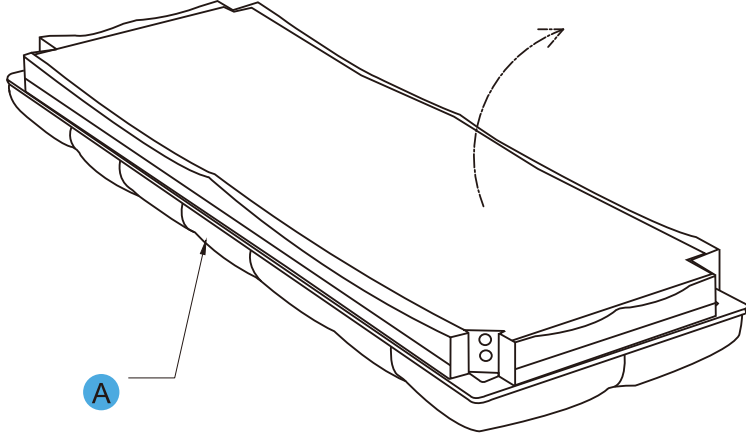

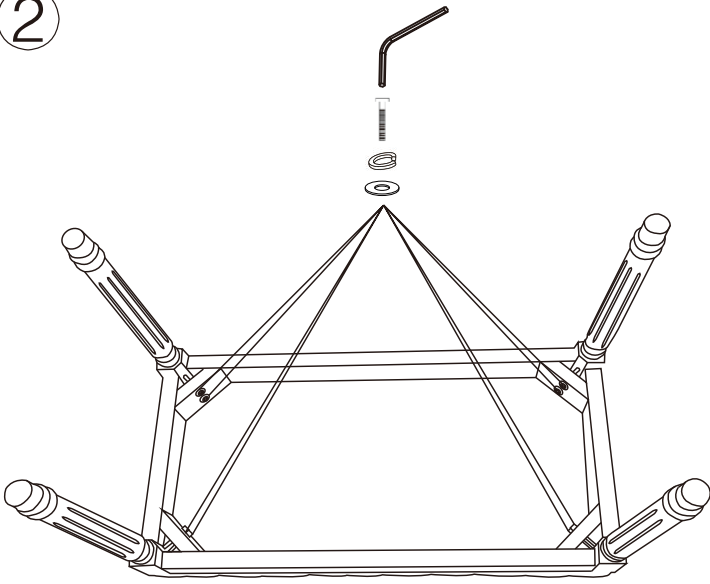




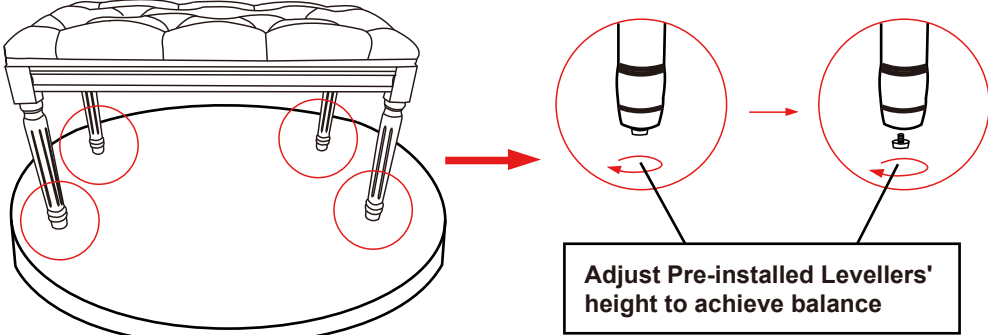
 <p>A×1PCS</p>	 <p>B×4PCS</p>	 <p>C×8PCS</p>
 <p>D×8PCS</p>	 <p>E×8PCS</p>	
<p>1</p> 		<p>A X1</p> 
<p>Open the Seat Base Cover to find the legs inside!</p>  <p>A</p>		<p>B X4</p> 

2



<p>B X4</p> 
<p>C X8</p> 
<p>D X8</p> 
<p>E X8</p> 



Adjust Pre-installed Levellers' height to achieve balance

Place the ottoman on a Level Surface to see if it wobbles.
 If it wobbles, adjust Pre-installed Levellers' height to achieve balance.
 If no wobbles are found, proceed to tighten all the Bolts.
 Note: When tightening the Bolts, tighten sequentially. Do not tighten any Bolt fully and then move towards the next one. This could cause the frame to warp.
 Note: If the ottoman is not stable, it could lead to damage to the product.