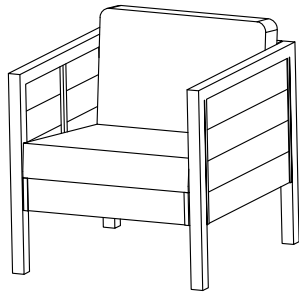
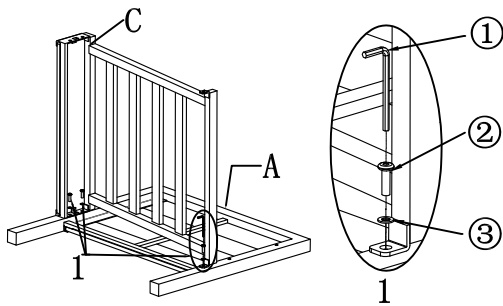


Assembly Instructions

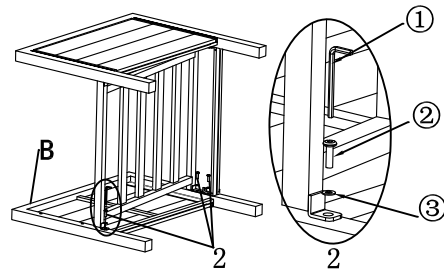


Part no.	Parts List	Qty (Pcs)	Part no.	Parts List	Qty (Pcs)
①		1	A		1
②	M6*20	9	B		1
③		13	C		1
④	M6*35	5	D		1
			E		1
			K		1
			L		1

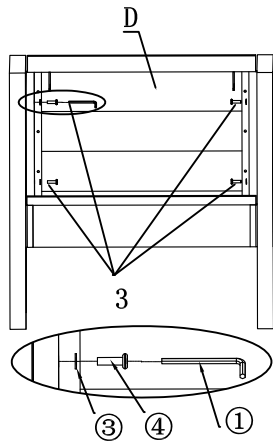
Step 1.



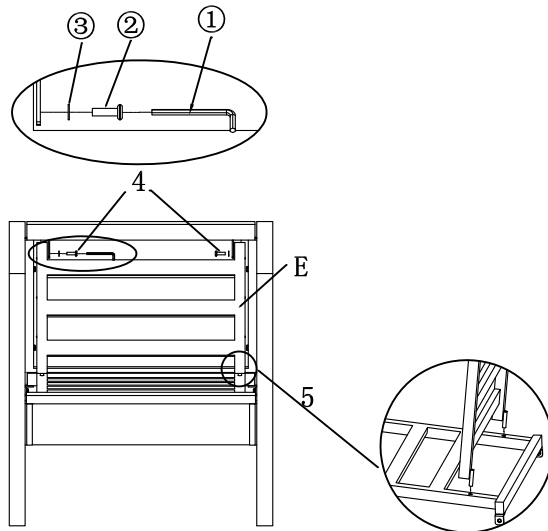
Step 2.



Step 3.



Step 4.



Step 5.

