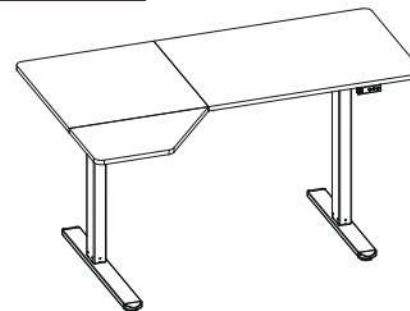


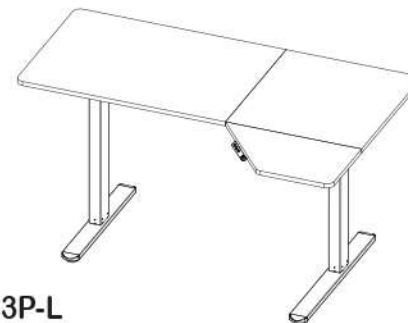
Engineering Mode		
Change Displayed Unit ( Un )		Long press the [S] button, "S--"shows and flashes. Press [S] again and the display shows "Un". Press [S] to select. Press [↔] or [↕] to switch between "[IN]" (metric) or "[SI]" (imperial). Press [S] to save your choice.
Change Brightness (br)		Long press the [S] button, "S--"shows and flashes. Press [S] again and the display shows "Un". Press [↔] or [↕] to switch to "br". Press [S] to select. Press [↔] or [↕] to switch between Low (L), Normal (n) or High (H) brightness. Press [S] to save your choice.
Collision Force Detection (CF)		Long press the [S] button, "S--"shows and flashes. Press [S] again and the display shows "Un". Press [↔] or [↕] to switch to "CF". Press [S] to select. Press [↔] or [↕] to switch between "OFF", Low (L), Normal (n) or Heavy (H) collision force detection. Press [S] to save your choice.
Protection Mode (auto lock screen mode)		
Hot	Over-heating protection	It alarms when continuously working for 2 minutes. Re-powered on and waiting for at least 18 minutes before height adjustment.
E10	Sensorless alarm	It alarms when motor sensor can't be detected. Power off first. Check the connecting of motor and control box, and then re-power on.
E20	Overload protection	Overload alarm. If alarming when desk going up, remove the stuff on the desk and try again. If alarming when desk going down, power off first, remove the stuff on the desk and re-power on.
E02	Rebound protection	It alarms when vibrated, collided or inclined in desk moving. Check if there is vibrating, obstacles or incline. If no issues above, do the reset process and use it again.
E32	Overvoltage alarm	It alarms when voltage is higher than required value. Power off first. Check whether the connection between power and control box is OK. Power on again.
E31	Undervoltage alarm	It alarms when voltage is lower than required value. Power off first. Check whether the connection between power and control box is OK. Power on again.
E60	Step out alarm	It alarms when height difference between left leg and right leg exceeds the set value. Power off first. Check whether the left leg and the right leg are in the same height. If not, re-redo process 4 to make them in same height. Power on again.
	Breaking protection	It stops and enters protection state when motor lines or manual control lines are removed or disconnected accidentally; back to normal after reconnected and alarm cleared.

## Height-Adjustable Desk Assembly and Operation Instructions

### Left Angle installation



### Right Angle installation



Model: HF121D-3P-L



Power Input  
110V-240V



Speed  
25 mm/s



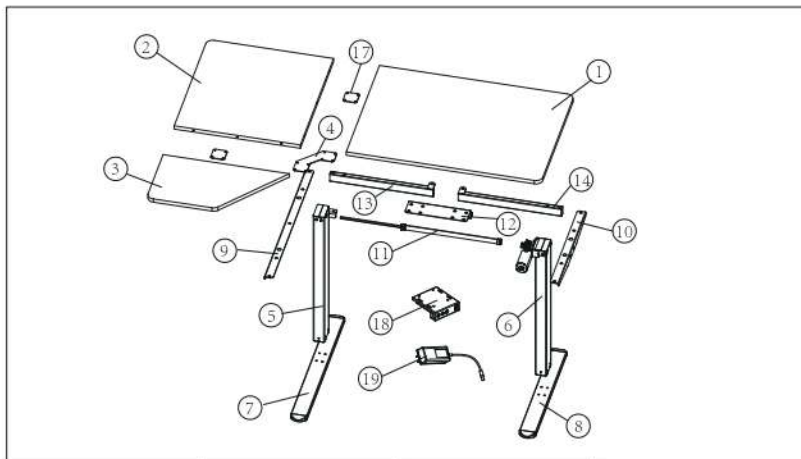
Motion Noise  
<55dB



Load Capability  
176 lbs / 80 kg

CAUTION: DO NOT EXCEED  
MAXIMUM LISTED WEIGHT  
CAPACITY. SERIOUS INJURY  
OR PROPERTY DAMAGE MAY  
OCCUR!

## PARTS LIST



Desktop (x1)	Desktop (x1)	Desktop (x1)	Desktop Connector (x1)
Left Table Leg (x1)	Right Table Leg (x1)	Long Feet (x1)	Short Feet (x1)
Long Side Plate (x1)	Short Side Plate (x1)	Transmission rod (x1)	Metal Connector (x1)
Left Crossbar (x1)	Right Crossbar (x1)	Controller (x1)	Power (x1)
Desktop Connector (x2)			

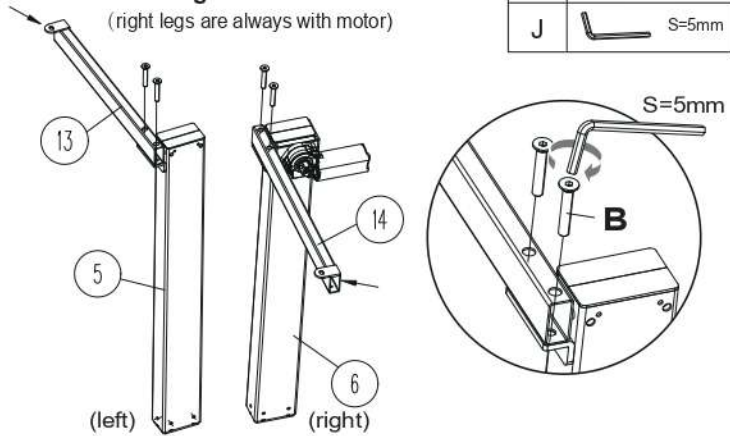
## OPERATION GUIDE

	Short press the button, the unit will lift 0.39inch.(1cm). Long press the button, the unit will continuously lift unless it reaches to the highest position of 47.24inch. (120cm) and release the button.
	Short press the button, the unit will lower 0.39inch.(1cm). Long press the button, the unit will continuously lower unless it reaches to the lowest position of 28.35inch. (72cm) and release the button.
	Press up or down button to adjust the unit to your desired position. Press the [S] button and then press  or  button to save the height.
	When you adjust the unit to you comfortable sitting position, you can press the [S] button to save the height, press the  button, the screen will shortly show [H1], it means the unit will memorize the height you saved. The unit will automatically move back to the height you saved if you press the  button.
	When you adjust the unit to you comfortable standing position, you can press the [S] button to save the height, press the  button, the screen will shortly show [H2], it means the unit will memorize the height you saved. The unit will automatically move back to the height you saved if you press the  button.
Reset	If the desk is already in lowest position or it encounters any issues and you want to reset, Long press  for 5 seconds, and the screen will show RES. Keep pressing and the desk will go down to the lowest position and rebound a bit. Reset finished showing basic height. Release the key.

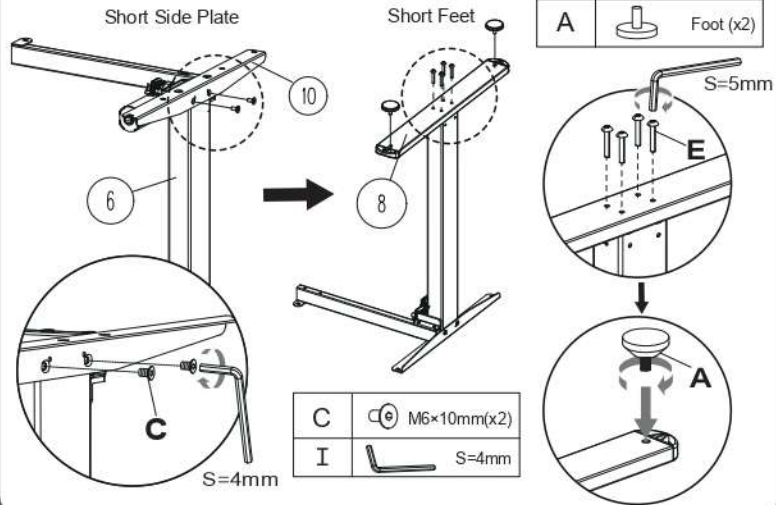
## Left Angle installation

### Step 1 Assemble the crossbar to the table legs

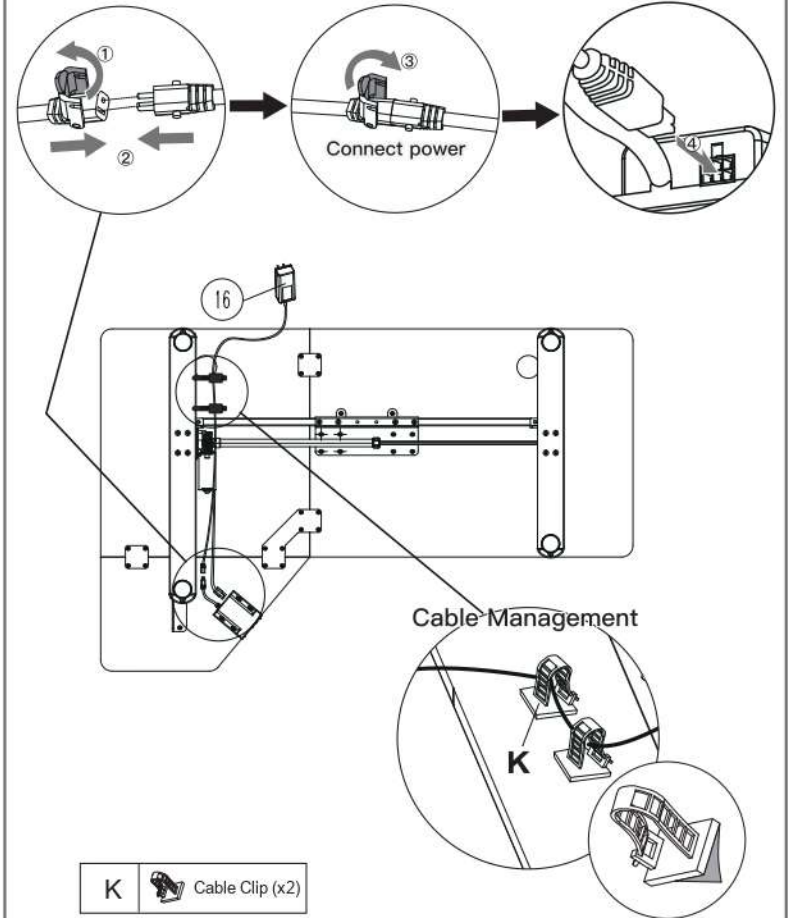
(right legs are always with motor)



### Step 2 Assemble SHORT side plate & feet to RIGHT table legs



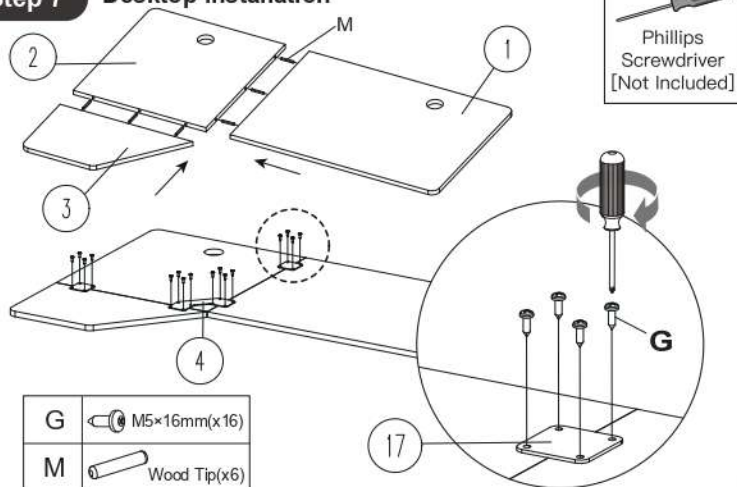
## Step 9 Cable Connection



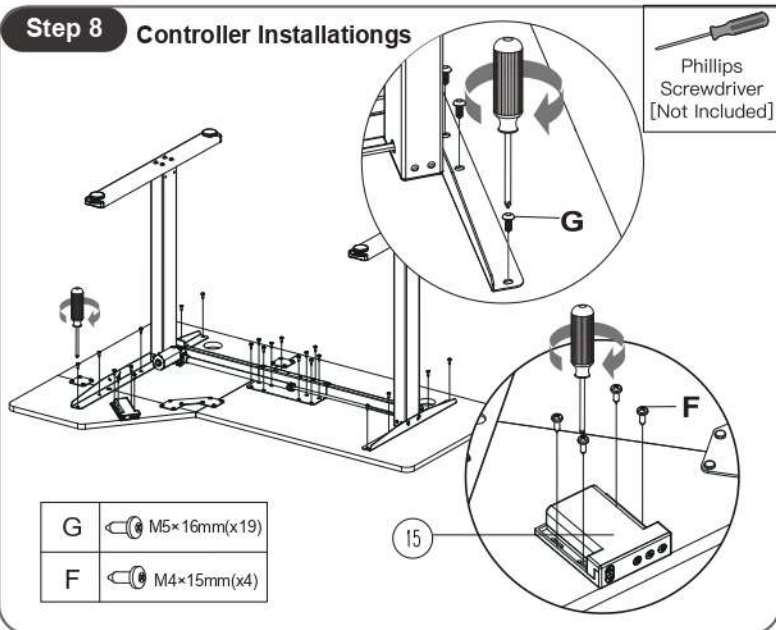
K Cable Clip (x2)



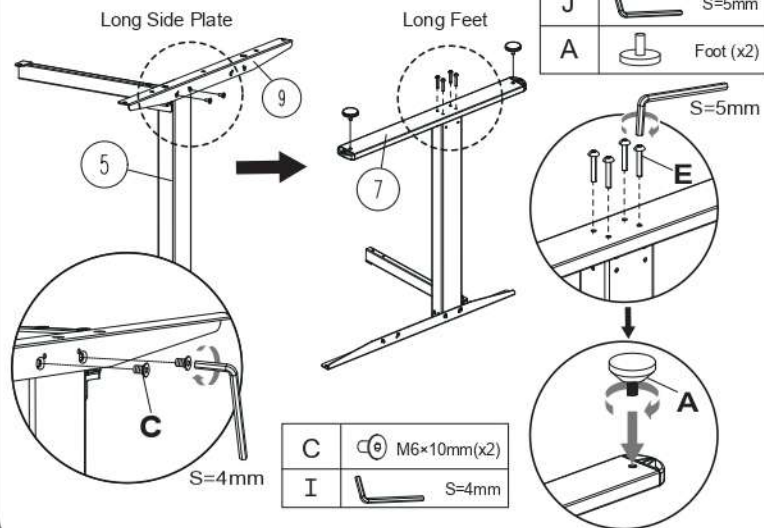
### Step 7 Desktop installation



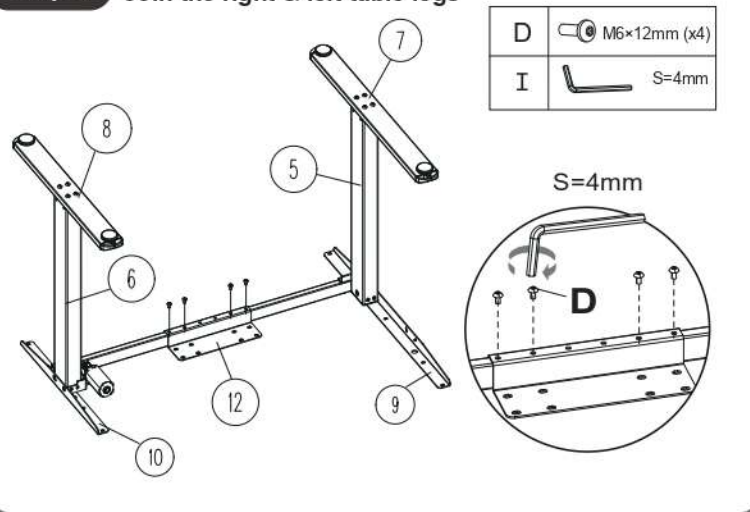
### Step 8 Controller Installations

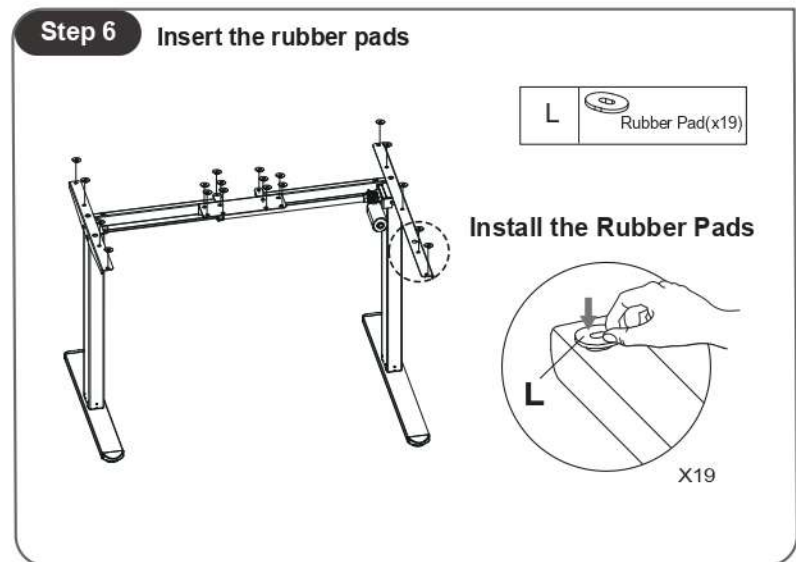
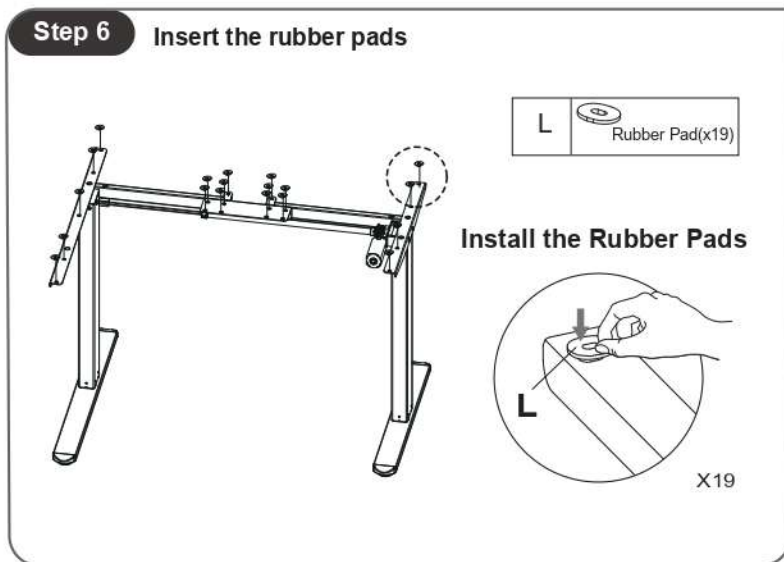
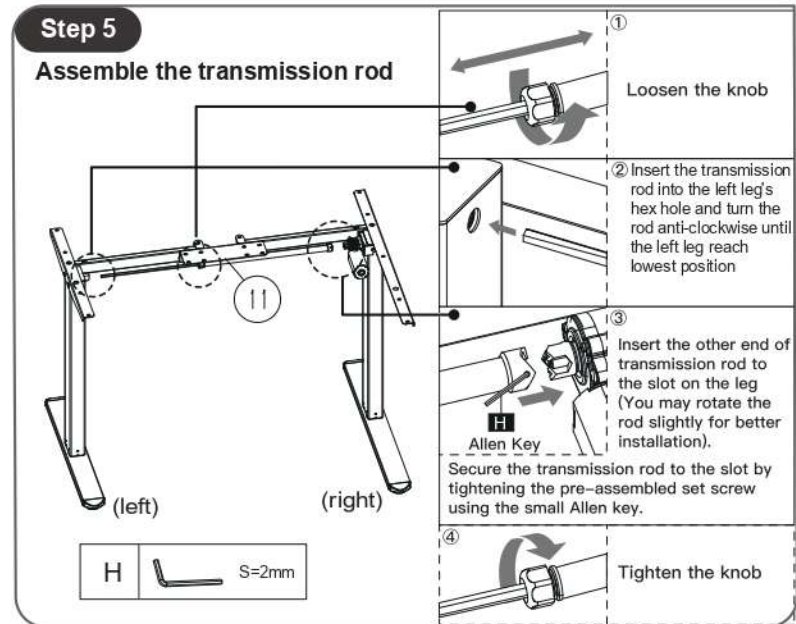
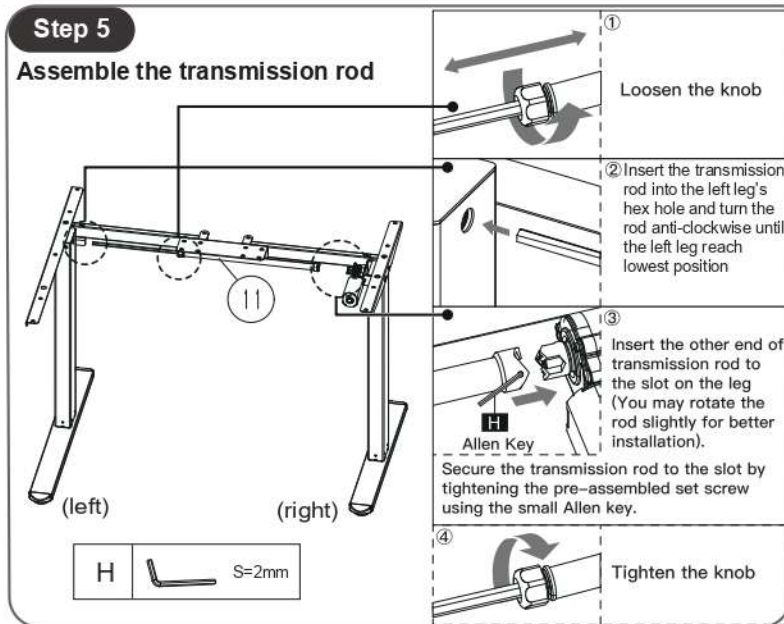


### Step 3 Assemble LONG side plate & feet to LEFT table legs



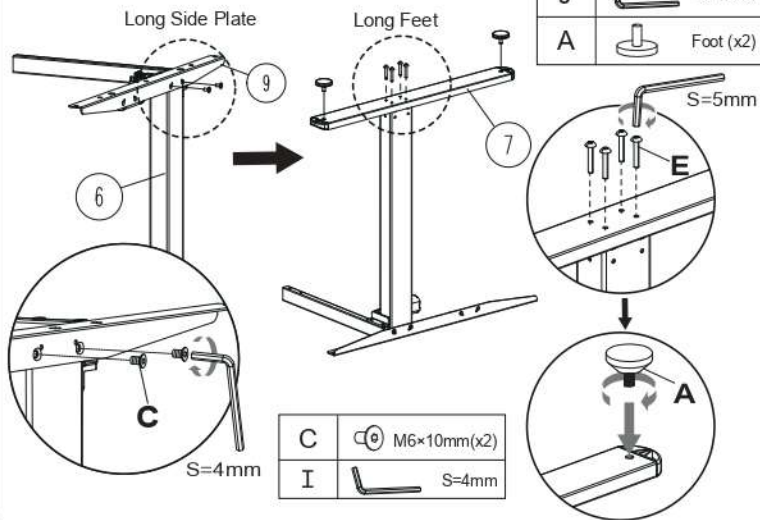
### Step 4 Join the right & left table legs





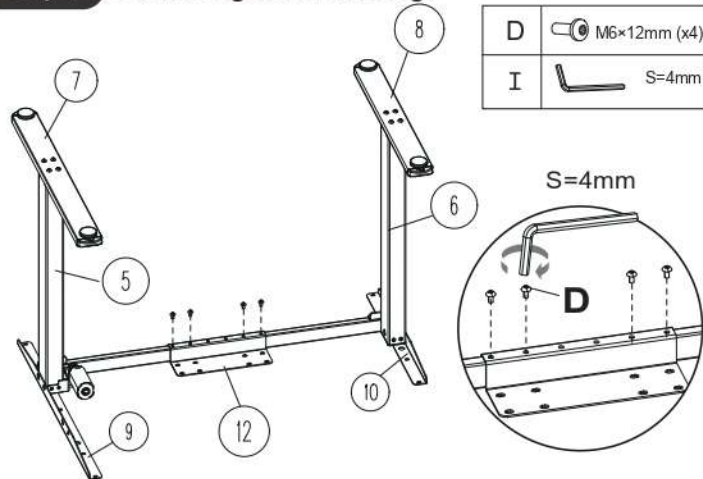
### Step 3 Assemble LONG side plate & feet to RIGHT table legs

E	 M6×35mm (x4)
J	 S=5mm
A	 Foot (x2)

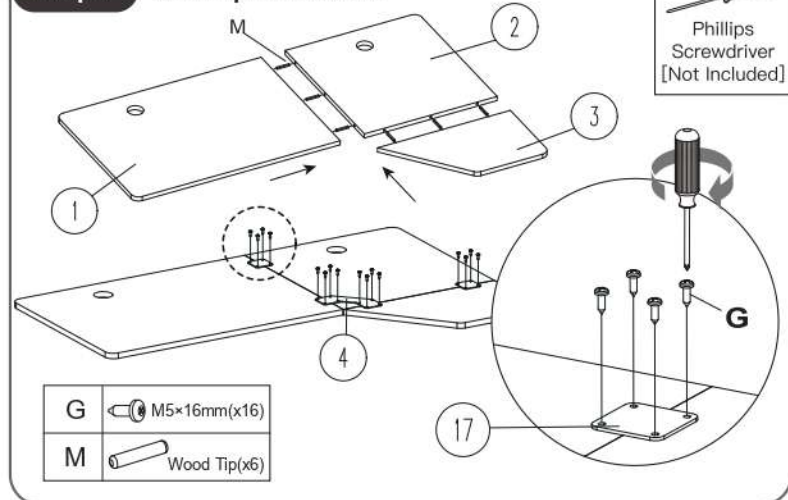


### Step 4 Join the right&left table legs

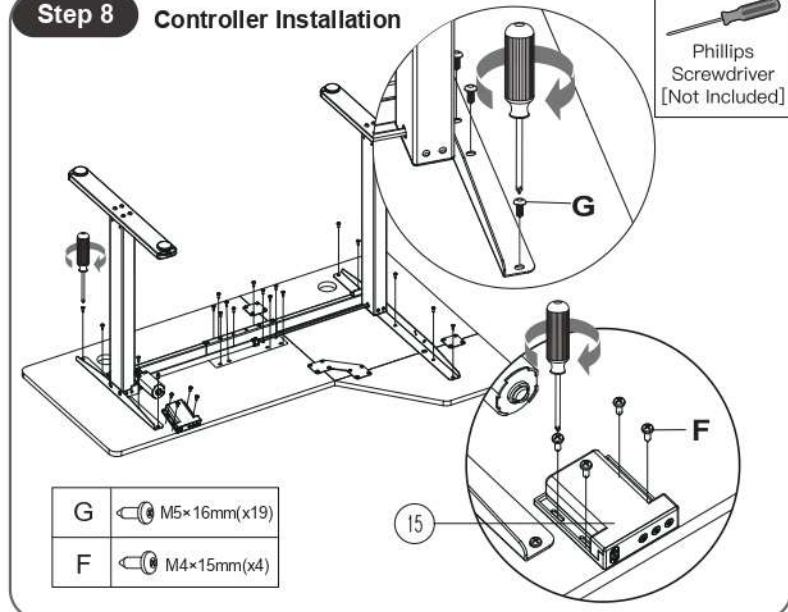
D	 M6×12mm (x4)
I	 S=4mm



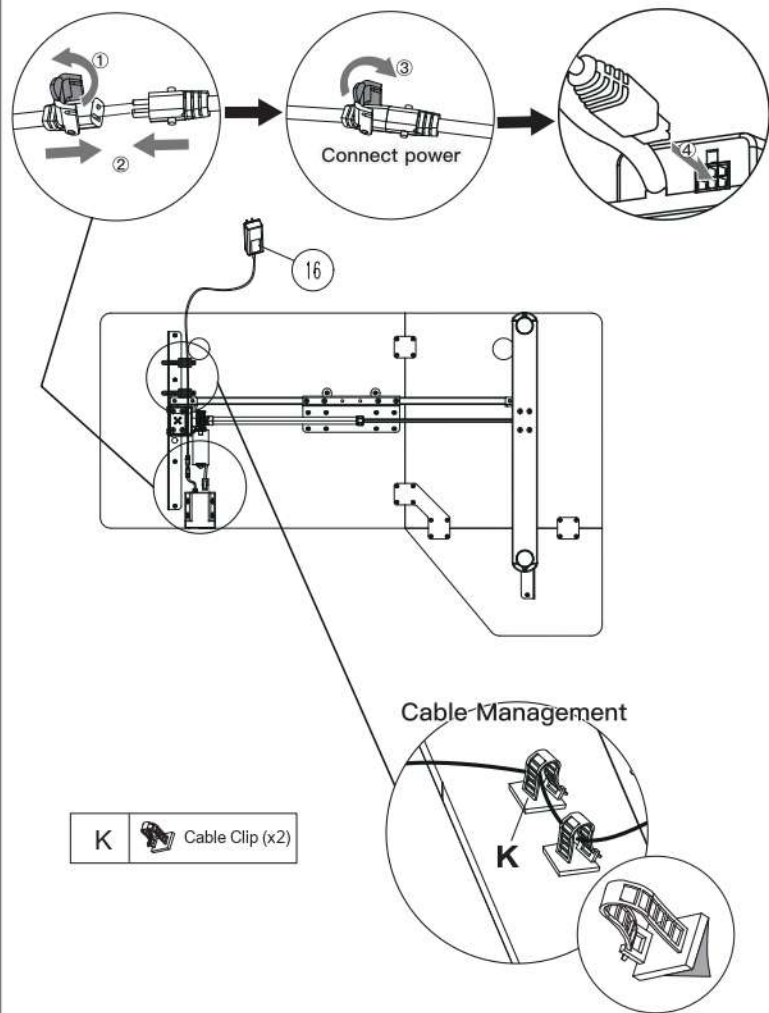
### Step 7 Desktop installation



### Step 8 Controller Installation



### Step 9 Cable Connection



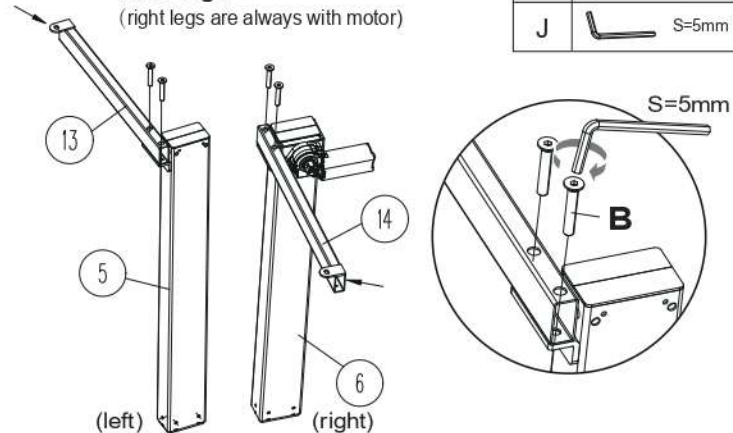
K Cable Clip (x2)

### Right Angle installation

#### Step 1 Assemble the crossbar to the table legs

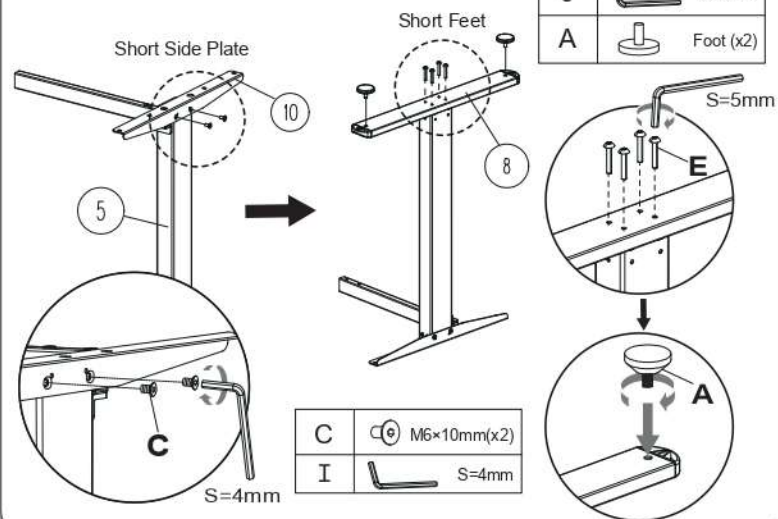
(right legs are always with motor)

B	M8×47mm(x4)
J	S=5mm



#### Step 2 Assemble SHORT side plate & feet to LEFT table legs

E	M6×35mm (x4)
J	S=5mm
A	Foot (x2)



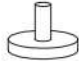


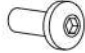
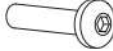
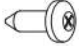
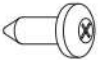






C	M6×10mm(x2)
I	S=4mm



**CONGRATULATIONS!**

Your desk is ready to use.

**HARDWARE LIST**

<p><b>A</b></p>  <p>Adjustable Foot (x4)</p>	<p><b>B</b></p>  <p>Screws M8×47mm (x4)</p>	<p><b>C</b></p>  <p>Screws M6×10mm (x4)</p>
<p><b>D</b></p>  <p>Screws M6×12mm (x6) (Include 2pcs extra screws)</p>	<p><b>E</b></p>  <p>Screws M6×35mm (x8)</p>	<p><b>F</b></p>  <p>Screws M4×15mm (x6) (Include 2pcs extra screws)</p>
<p><b>G</b></p>  <p>Screws M5×16mm (x37) (Include 2pcs extra screws)</p>	<p><b>H</b></p>  <p>Allen Key S=2mm (x1)</p>	<p><b>I</b></p>  <p>Allen Key S=4mm (x1)</p>
<p><b>J</b></p>  <p>Allen Key S=5mm (x1)</p>	<p><b>K</b></p>  <p>Cable Clip (x2)</p>	<p><b>L</b></p>  <p>Rubber Pad (x21) (Include 2pcs extra pads)</p>
<p><b>M</b></p>  <p>Wood Tip (x8) (Include 2pcs extra)</p>		