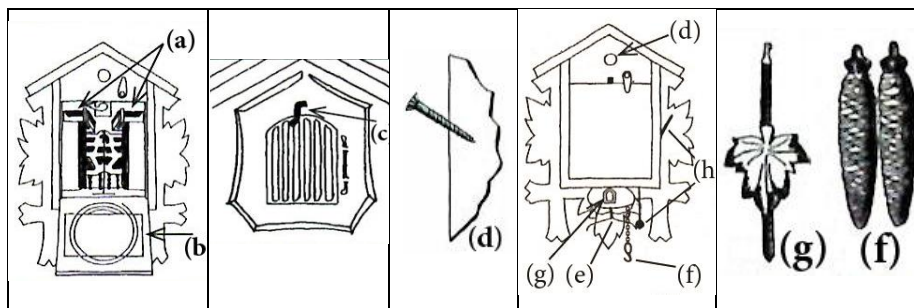


## BASIC INSTRUCTIONS TO SET UP YOUR MECHANICAL CUCKOO CLOCK



1. Open up the back door of the clock and remove the bellows clips (a) and business card (b).
2. Move the latch on the front door aside so that the cuckoo can come out (c).
3. Hang the clock on the wall on a screw that is at a 45 degree angle (d), so the clock sits flush on the wall. **(Do not use a hook or a nail as the clock can fall off the wall).**
4. Remove the wire from the chains (e), so that they hang down to approximately 20cm above the floor.
5. Hang the weights on the hooks at the top of the chains (f) and hang the pendulum on the pendulum hanger (g) underneath the clock.
6. Use the on/off lever to silence the cuckoo and music if you desire. This may be found on the side or the bottom of your clock (h).
7. To set the time, move the minute hand in a clockwise direction until you reach the correct time (The hour hand will move by itself as you turn the minute hand). You may wish to hear the cuckoo (and music) play or alternatively, you may wish to switch the silence lever (h) to 'off' and set the time without having to let the cuckoo and music play.
8. For further clarification see our clock set up video here: <https://vimeo.com/7679928>
9. Enjoy your cuckoo clock and the good luck blessing it will bring to your home!



## TROUBLESHOOTING:

- **My clock is running too fast or slow.** (Pendulum with leaf or pendulum with adjustment nut)
  1. Move the leaf or adjustment nut on the pendulum up or down to increase or decrease the speed of the clock. In one 24 hour period, 1mm adjustment = 1 min on the leaf pendulum or 1 turn = 1min on the adjustment nut pendulum. (These are approximate calculations)
    1. **If Fast:** Move the leaf down the pendulum or move the nut anti-clockwise to slow it down the required amount of minutes and also adjust the minute hand back the amount of minutes it is fast by.
    2. **If Slow:** Move the leaf up the pendulum or move the nut clockwise to speed it up to the required amount of minutes and then adjust the minute hand forward the amount of minutes it is slow by.  
For example:
      - If the clock is 5 mins fast, move leaf 5 mm down or move the nut 5 anti-clockwise turns and adjust the minute hand back by 5 mins.
      - If the clock is 5 mins slow, move the leaf up 5mm or move the nut 5 clockwise turns and adjust the minute hand forward by 5 mins.
  3. Check the time again in 24 hours, and repeat the process until correct timing is achieved.
- **I didn't wind my clock up and now it has stopped:**
  1. Pull the chains to bring the weights back up the top.
  2. Move the minute hand clockwise to set to the desired time.
  3. Refer to step 7 to set the time.
- **My Cuckoo and time are out of sync:** Make the cuckoo call by moving the minute hand to 12. Take note of how many times the cuckoo calls. Then move the **hour** hand to the corresponding hour. Eg. 5 cuckoos, move the hour hand to the 5. Then refer to step 7 to set time accordingly.