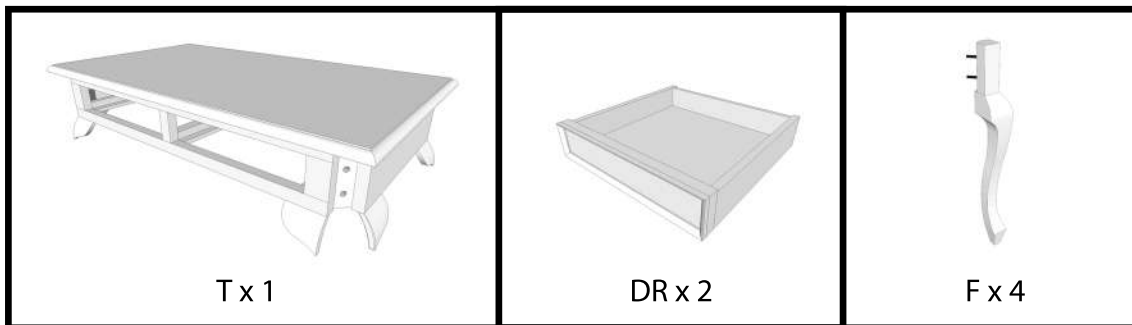


ASSEMBLY INSTRUCTIONS

DK 002 QA

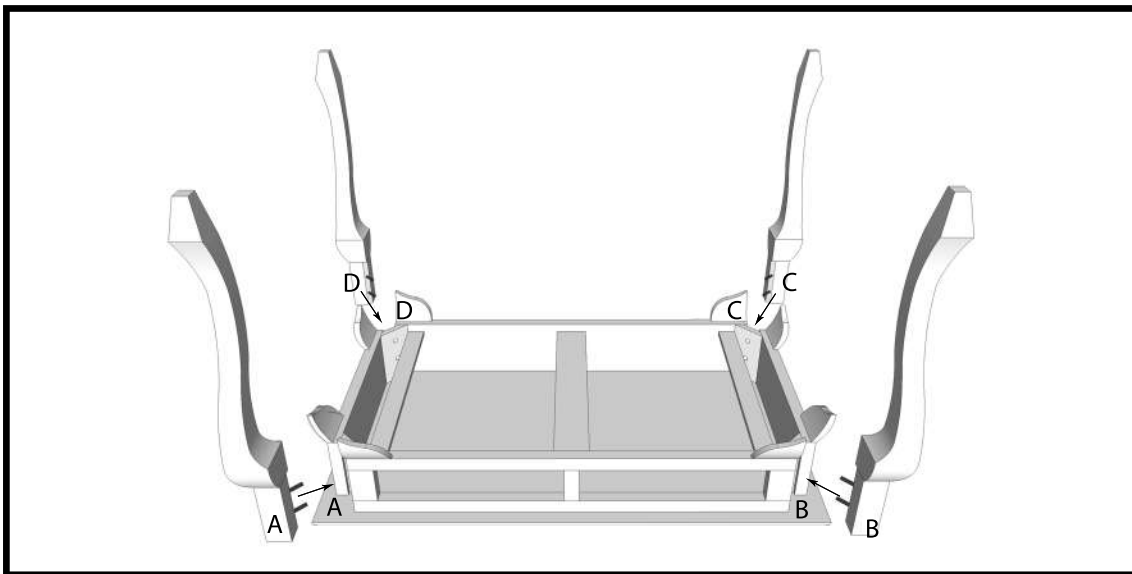


Tools required for assembly : **1 x Wernch**

It is recommended that assembly is done on a soft surface such as carpet to avoid damaging the product.

When assembling this product please match the code on the leg to the corresponding code found on the tabletop corners.

DO NOT OVERTIGHTEN



Care Instructions

Solid timber furniture is a valuable investment that can last for generations if properly cared for. Here are some care instructions for maintaining solid timber furniture:

- Dust regularly- Use a soft, dry cloth or a feather duster to remove dust and debris from the surface of the furniture. Avoid using abrasive materials or harsh chemicals, as they can damage the wood.
- Avoid direct sunlight- Exposure to direct sunlight can cause the wood to fade or discolor over time. To protect your furniture, avoid placing it in direct sunlight or use curtains or blinds to filter the light.
- Keep away from heat sources- Exposure to heat can cause the wood to dry out and crack over time. Keep your furniture away from radiators, fireplaces, and other sources of heat
- Clean spills promptly- If a spill does occur, clean it up promptly with a soft, damp cloth. Avoid using harsh chemicals or abrasive materials that can damage the wood
- Apply protective finishes- To provide additional protection against scratches, stains, and other damage, consider applying a protective finish to your furniture. There are a variety of finishes available, including wax, oil, and polyurethane.

By following these care instructions, you can help to maintain the beauty and integrity of your solid timber furniture for years to come.