

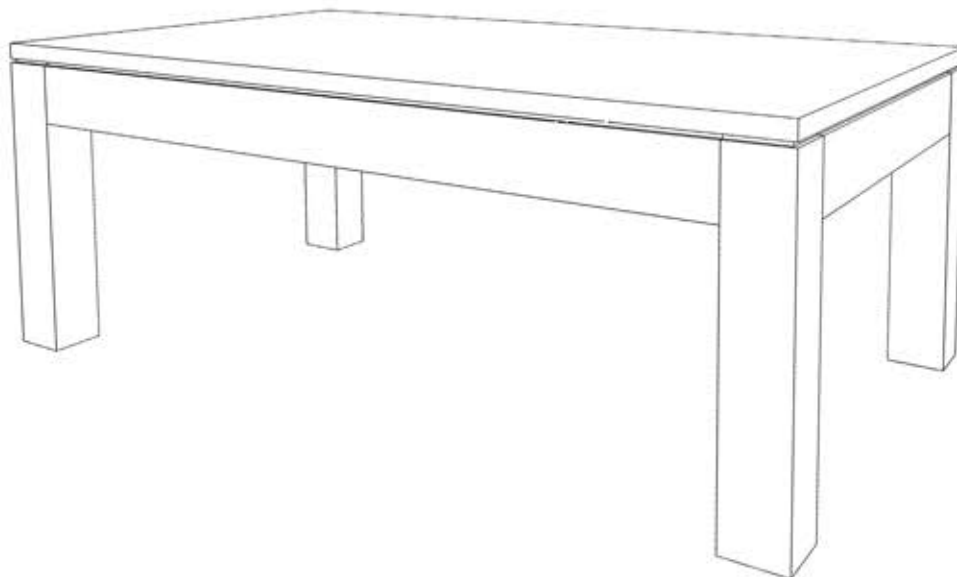
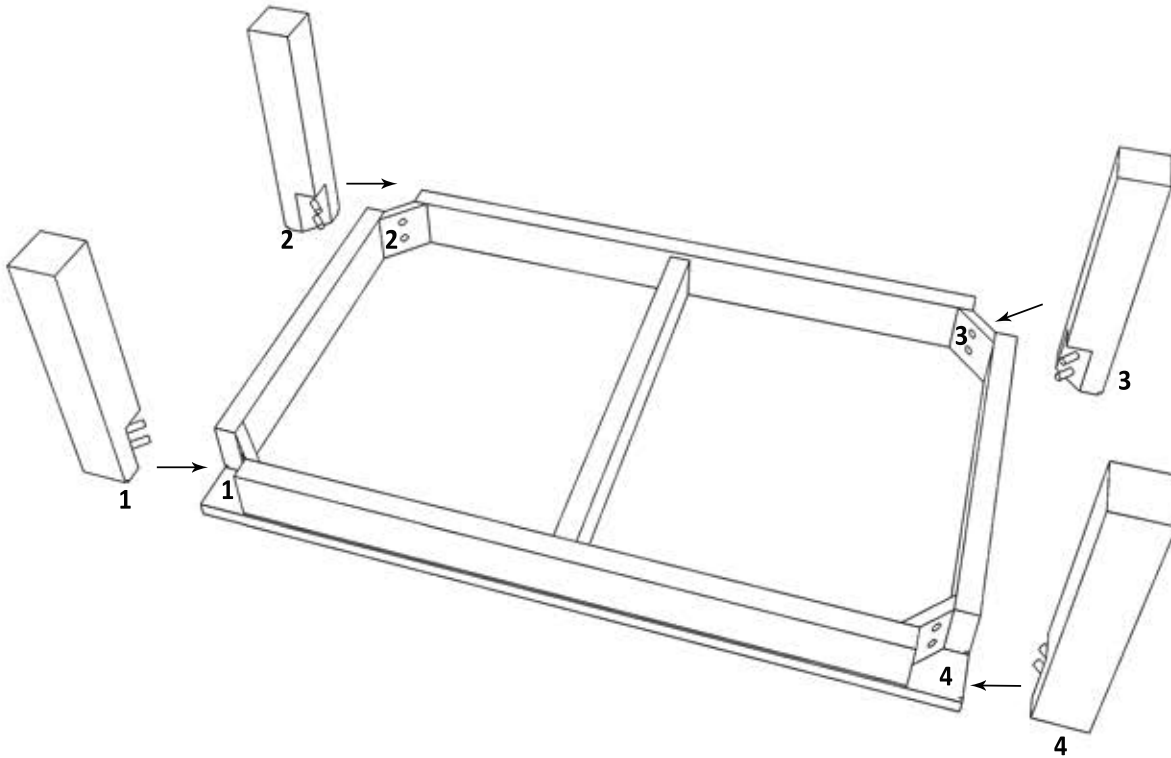
INSTRUCTION MANUAL

CT 000 TA

1. It is recommended that assembly is done on a soft surface such as carpet to avoid damaging the product.
2. When assembling this product please match the code on the legs to the corresponding code found on the tabletop corners.

DO NOT OVER TIGHTEN.

Tools required for assembly: 1 x Wrench.



CARE INSTRUCTION: Avoid placing furniture close to strong heat sources. Avoid placing hot or wet items directly on the product. For everyday cleaning, wipe with a clean and dry cloth. To obtain the longest lifespan of this product, minimizing exposure to direct sunlight is recommended. Not suitable for outdoor use.