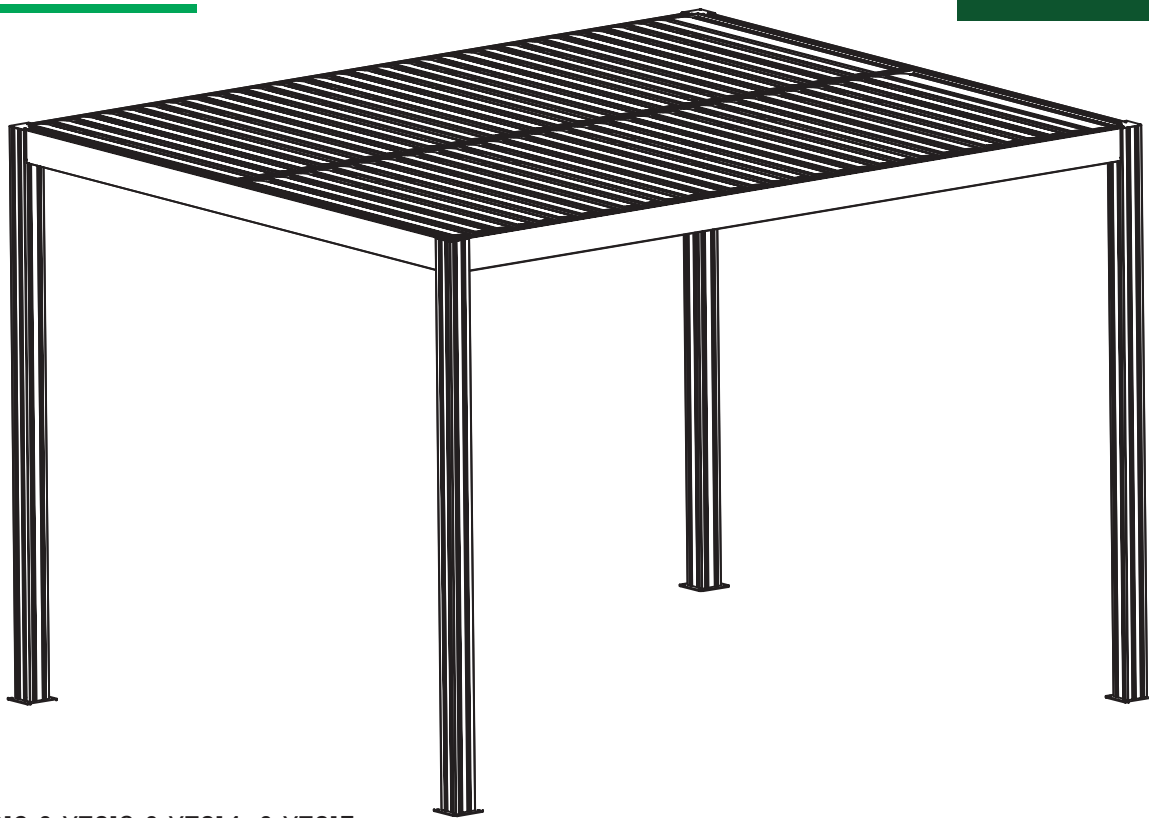


USER MANUAL

Yardtopia Elmont 3m x 4m Aluminium Pergola with Adjustable Louvre Set



Find the Digital
Manual Online



YT012 & YT013 & YT014 & YT015



WARNING: The disassembled product may contain small parts which pose a choking hazard to children under 3.

IMPORTANT:

This product may contain sharp points and small parts prior to assembly. The owner's manual contains safety, assembly, use and maintenance instructions. This product must be assembled by an adult who has read and understood these instructions. Keep the packaging away from children and dispose of all packaging before use.

For the installer and your children's safety, it is important to fully read and understand the instructions and safety hazards before commencing the assembly of the product.

NOTE:

This manual should not be used to guide your purchasing decision. Your product, and the contents inside its carton, may vary from what is listed in this manual. This manual may also be subject to updates or changes. Updated manuals are available through our website at www.yardtopia.com.au.

TABLE OF CONTENTS

I. SAFETY WARNINGS AND MAINTENANCE INSTRUCTIONS	3
II. PREPARATION	4
III. ASSEMBLY INSTRUCTIONS	6
IV. WARRANTY	23

I. SAFETY WARNINGS AND MAINTENANCE INSTRUCTIONS

IT IS IMPORTANT TO CHECK AND TIGHTEN ALL HARDWARE AT THE BEGINNING AND DURING THE SEASON AS THEY MAY LOOSEN.



IMPORTANT: Owners are responsible for maintaining the legibility of warning labels. Retain this manual for future reference on maintenance instructions.

- Do not climb or walk on the roof for any reason.
- Assembly requires three or more people to ensure safety.
- Before digging or driving stakes into the ground, check for underground utilities.
- Carefully check for overhead lines, ensuring there is at least 6 feet (2 meters) of clearance from electrical wires.
- Building permits may be required for permanent structures. As the purchaser or installer, consult local planning, zoning, and building inspection departments to confirm compliance with applicable building codes and zoning regulations.
- Wear gloves during installation to prevent injury.
- Follow all safety warnings provided with your tools, and wear safety glasses during installation.
- Check and tighten all nuts and bolts twice a month during the usage season. Be careful not to overtighten. Pay special attention at the beginning of each season.
- Oil all metallic moving parts monthly during the usage season.
- Inspect all bolt coverings and sharp edges twice a month to ensure they are securely in place and replace them if necessary—especially at the start of each season.
- Surface rust or rust can occur when protective coatings are scratched or in high salt or moisture content areas. To minimize this condition, if any scratch surfaces appear, immediately touch up with rust inhibiting paint.
- For rusted areas on metallic parts like hinges or brackets, sand and repaint using non-lead based paint. Do not leave any surface rust unattended as the oxidation can worsen and will make it difficult to remove the rust later on.
- Do not use any abrasive cleansers for the cleaning. Use a soft, damp cloth to eliminate dirt and dust.
- Clean out debris such as fallen leaves regularly.

- Regularly inspect the stability of the pergola/gazebo, as this is crucial for safety. Any damage caused by the pergola detaching from its foundation due to natural disasters, high winds, or other extreme weather conditions is the responsibility of the homeowner and installer and is not covered under the manufacturer's warranty.
- Avoid opening or closing the blades in frost or snow.
- The louvres are not designed to bear the weight of snow. During snowy conditions, keep the louvres open or remove the blades if heavy snow is expected.
- In windy conditions, keep the louvres closed.

II. PREPARATION

PLACEMENT OF PRODUCT

It is critically important to start with square and level footings, a concrete pad, or a deck when attaching your structure.

- Pay close attention to the items required for each step. Ensure you are using the correct hardware for each step, as using incorrect hardware may result in improper assembly.
- Always double-check for underground utilities and overhead electrical lines before proceeding.
- Check the concrete surface is not damaged and is structurally compliant.

OWNER'S MANUAL: BASIC SETUP DIMENSIONS & ASSEMBLY NOTES

Post mounts are provided with your structure to allow for permanent installation on a pre-existing concrete surface.

- Hardware to attach the post mounts to the structure is included.
- Hardware to mount the structure permanently to a concrete surface is not included and must be purchased separately.
- Hardware to mount the structure permanently to a wood deck is not included. Ensure there is sufficient structural support under the deck before attaching the structure permanently.

METAL ROOF ASSEMBLY

- Place roofing materials on a non-abrasive, flat surface both before and after assembly to avoid bending, denting, or scratching.



Cordless
Drill



Hammer



Screwdriver



Ladder



3 People



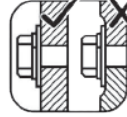
Use Level

Check the ground
and assembly is
properly leveled.



Square Assembly

Check that assembly
is square before
tightening the bolts.



Tighten Bolts

Do not over tighten
the mounting bolts.
Over tightening can
cause damage to
the pergola.



Measure Distance



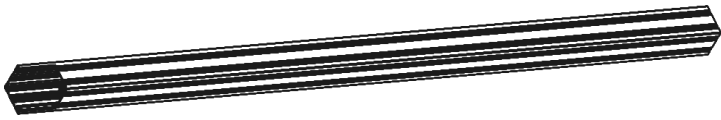

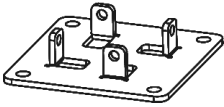









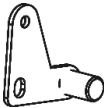
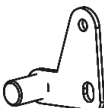

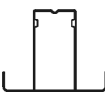
Gloves



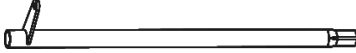
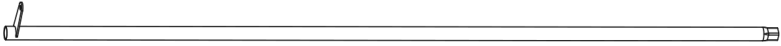
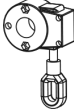
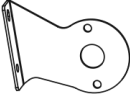
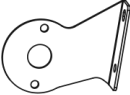
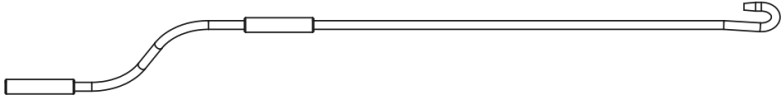
BEFORE YOU START




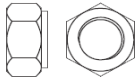

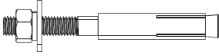

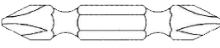
1. Please read all instructions carefully.
2. Separate and count all parts and hardware.
3. Ensure weather conditions are good for the whole day as this may take a few hours for installation.
4. Keep all small parts away from children and pets as they can pose a choking hazard.
5. During assembly do not fully tighten until the end. Do not over tighten as this can lead to damage of the product.

III. ASSEMBLY INSTRUCTIONS

PARTS LIST

Part No.	Quantity	Image Description
A	4	
B	4	
C	4	
D1	1	 
D2	1	 
E1	1	 
E2	1	 
F	2	
G1	2	
G2	2	
H	1	 

Part No.	Quantity	Image Description
J	2	
K	66	
L	2	
M	2	
N	2	
O	2	
P	2	
Q	1	

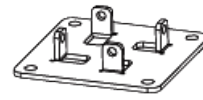
<p>AA x 74</p>  <p>M6 x 15</p>	<p>BB x 4</p>  <p>M6 x 50</p>	<p>CC x 4</p>  <p>M4 x 15</p>
<p>DD x 8</p>  <p>M6 x 5</p>	<p>EE x 2</p>  <p>M6 x 70</p>	<p>JJ x 16</p>  <p>M10 x 80</p>
<p>GG x 1</p>  <p>4mm</p>	<p>HH x 1</p>  <p>M6 x 63</p>	

STEP 1

A x 4



C x 4

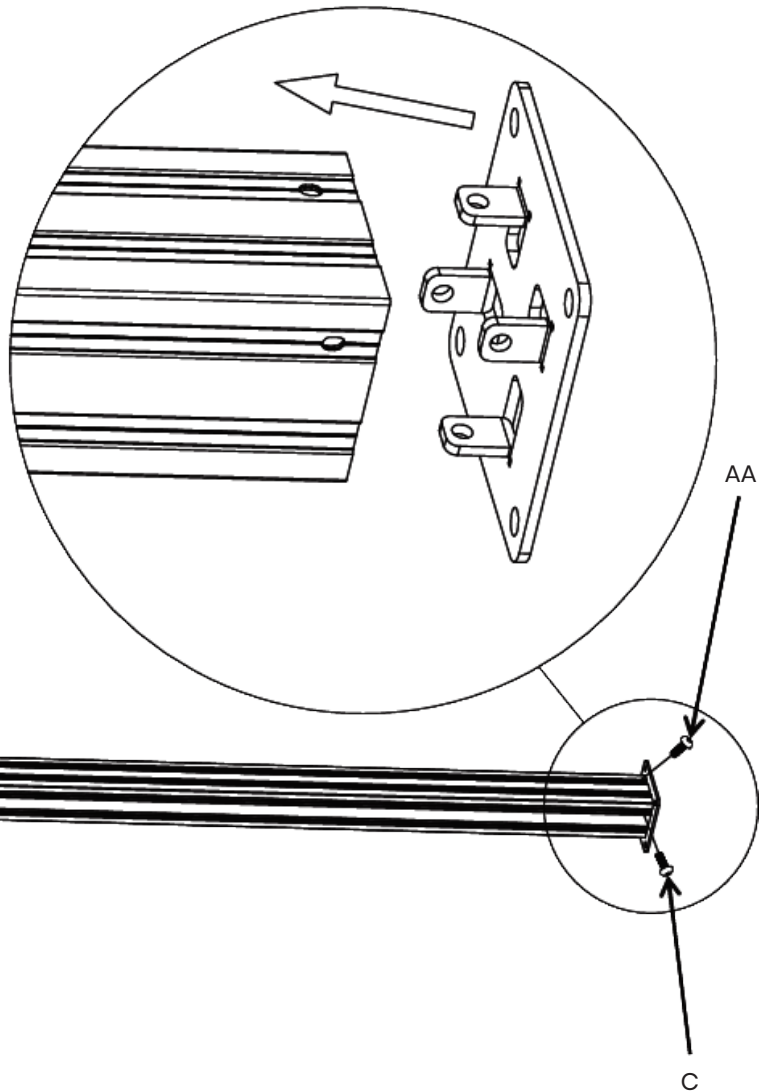


AA x 16



WARNING: Please wear gloves when assembling the metal parts.

Align the post to the bolt openings for part C and secure with bolts (AA).



STEP 2

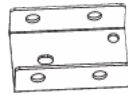
D1 x 1



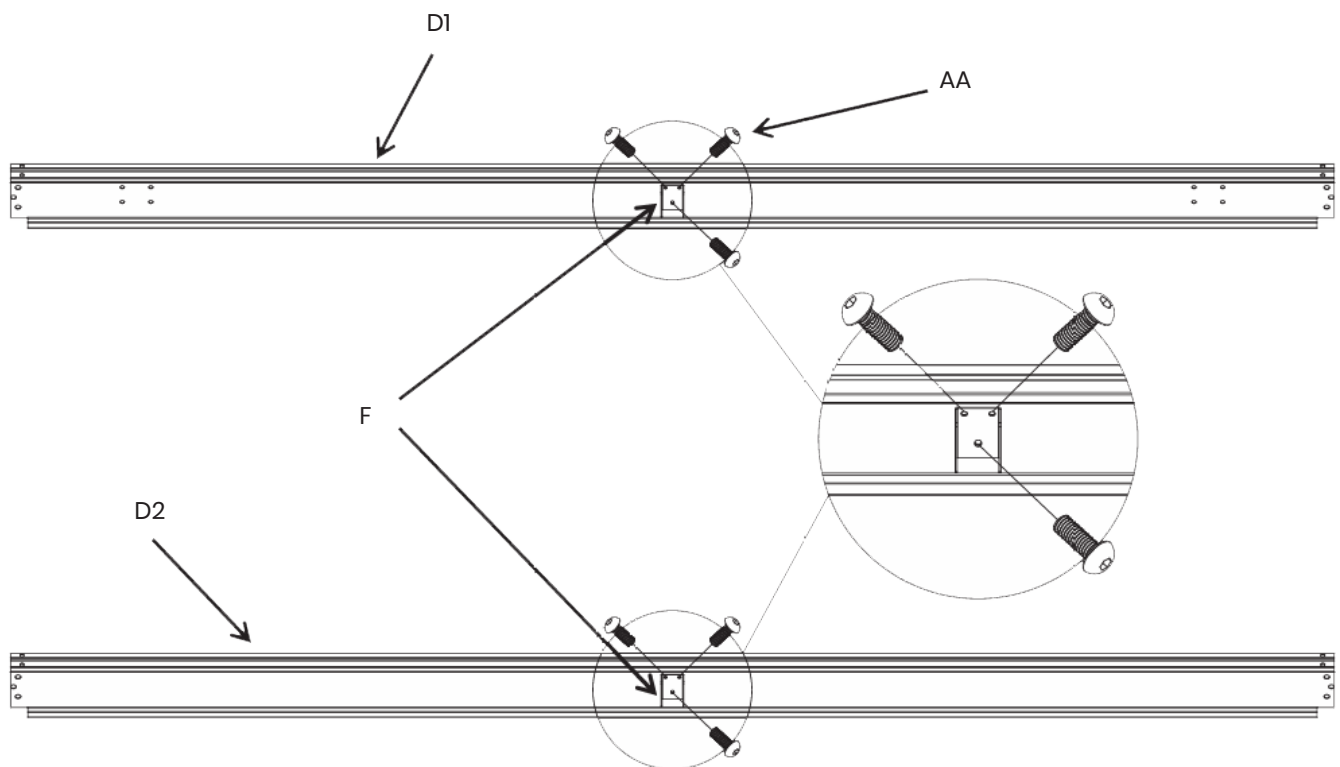
D2 x 1



AA x 6



F x 2



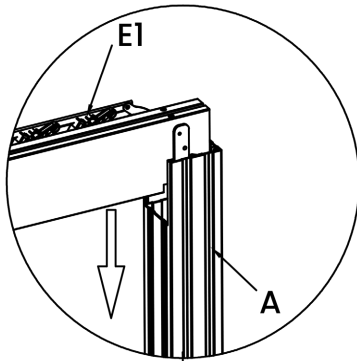
Align the screw holes on F parts to D1/D2 and tighten with screws.

STEP 3

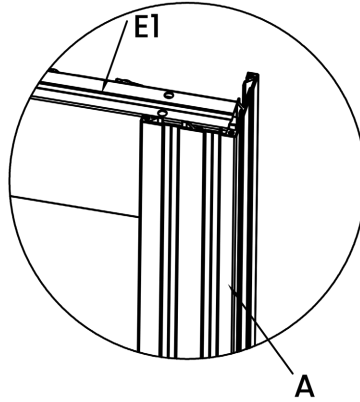


Do not fully tighten at this stage.
Assistance is required to hold up the post while securing the bolts.

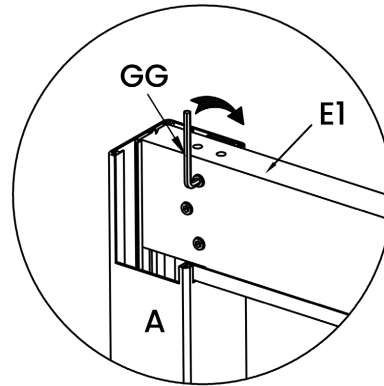
STEP 1



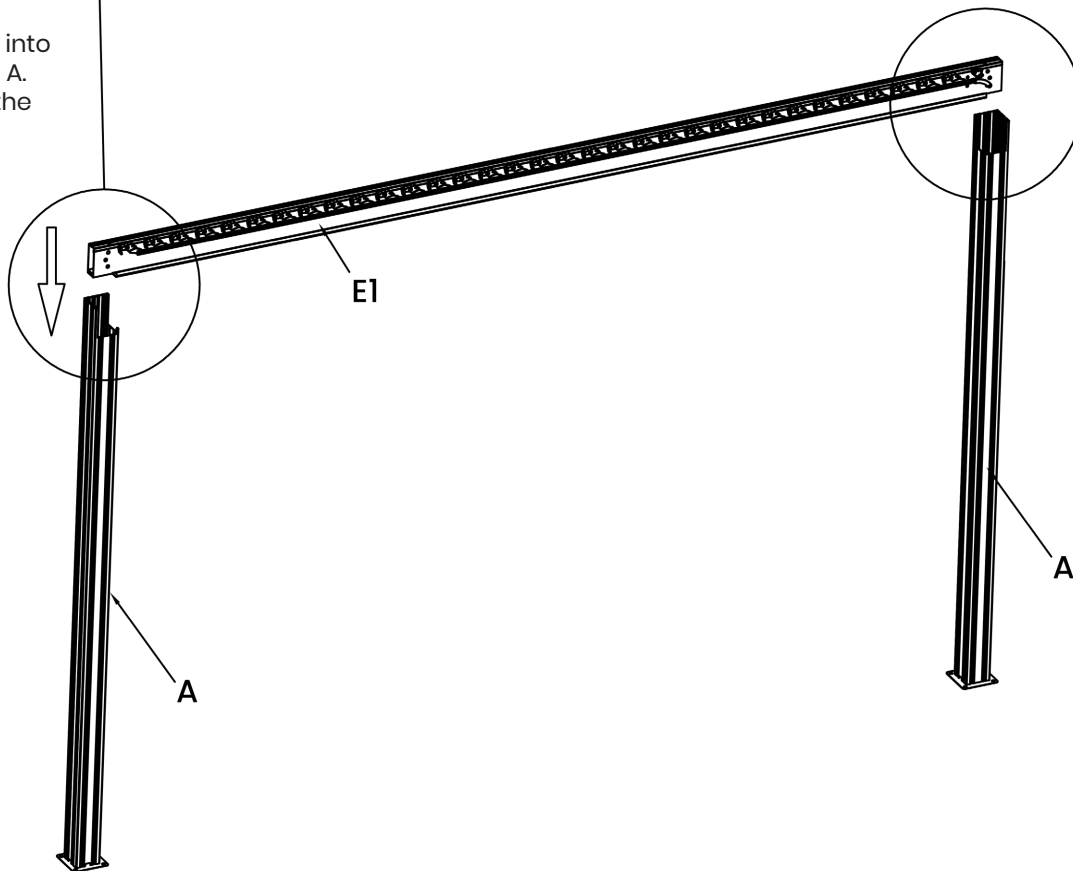
STEP 2



STEP 3



Slide D1 piece into the groove of A.
Take note of the orientation.

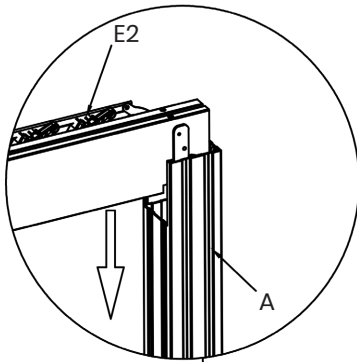


STEP 4

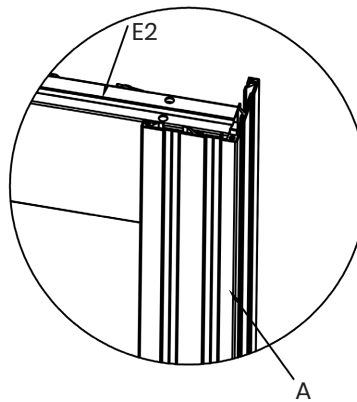


Do not fully tighten at this stage.

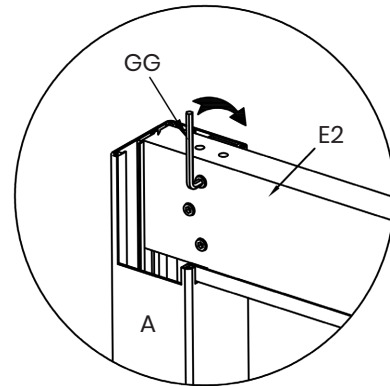
STEP 1



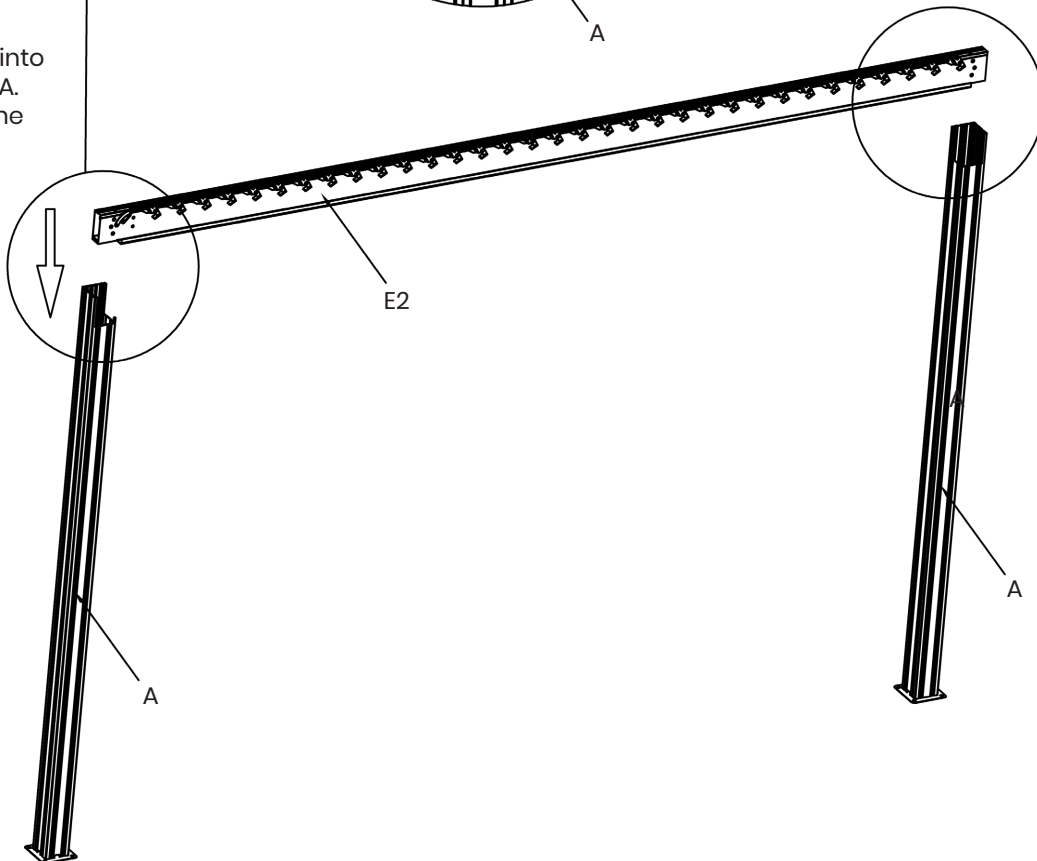
STEP 2



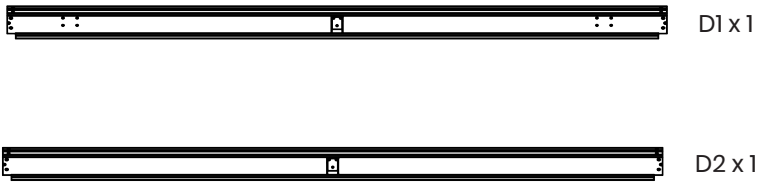
STEP 3



Slide E2 piece into the groove of A. Take note of the orientation.



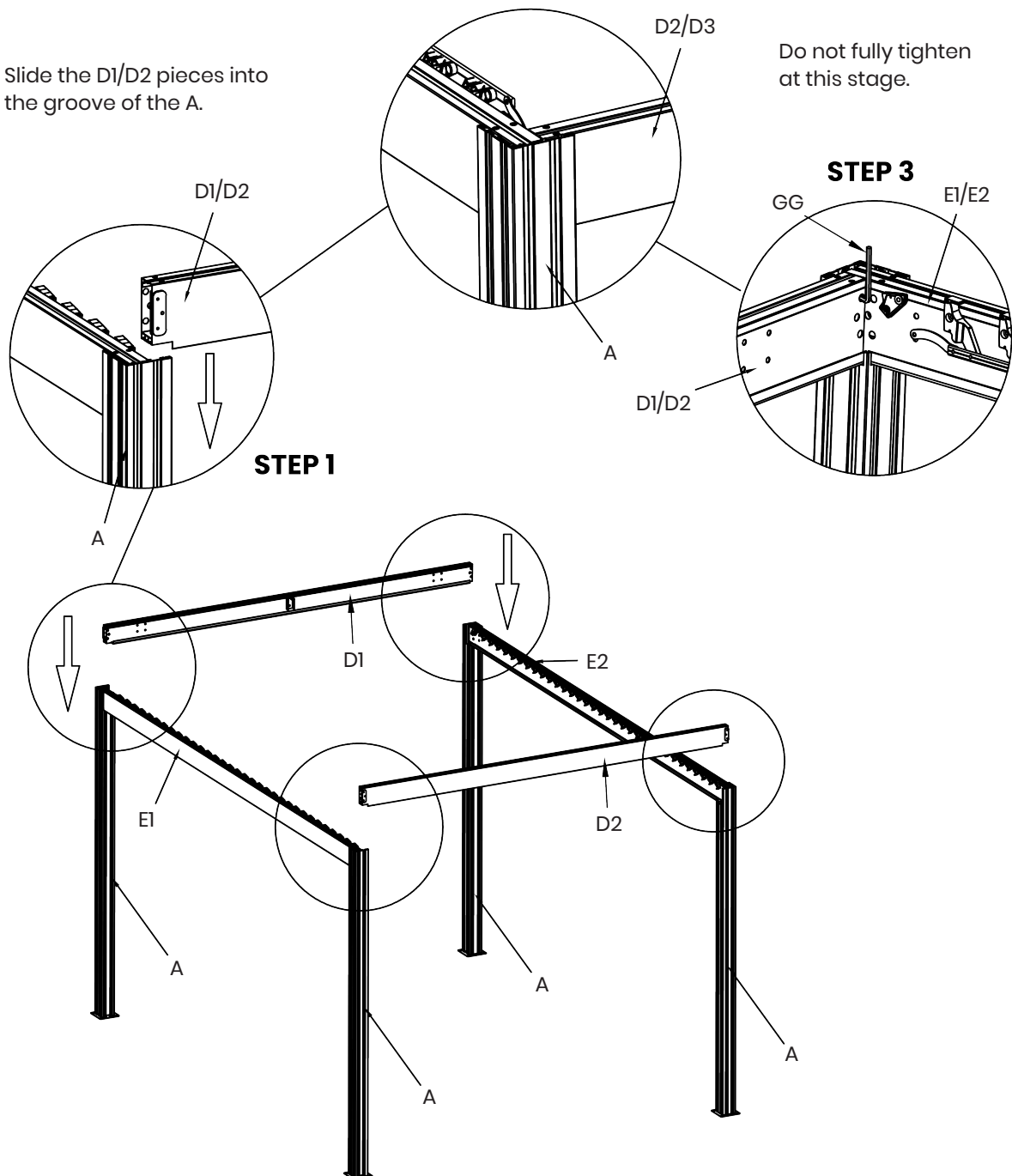
STEP 5



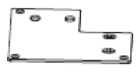
STEP 2

Slide the D1/D2 pieces into the groove of the A.

Do not fully tighten at this stage.



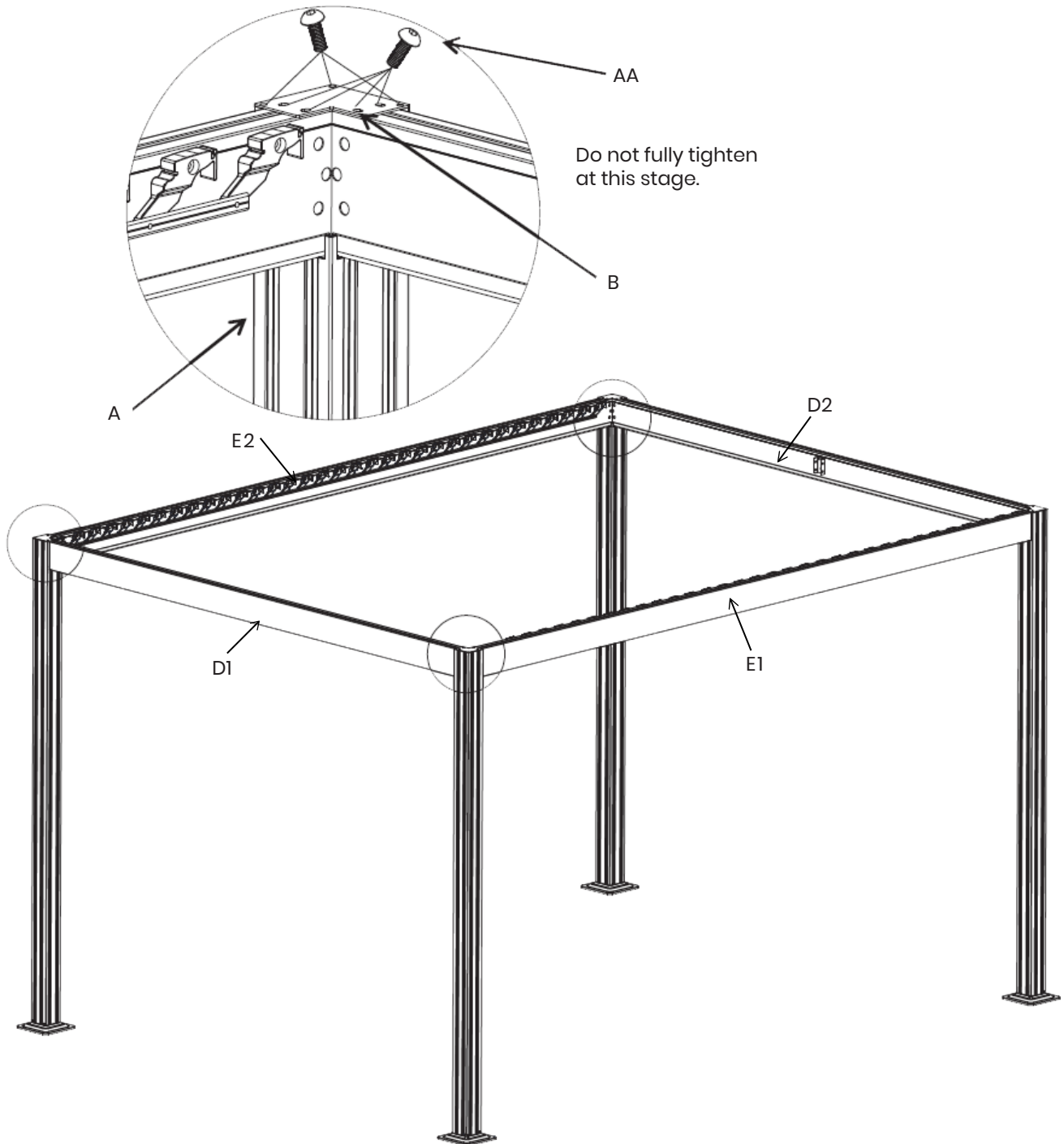
STEP 6



B x 4



AA x 28



STEP 7

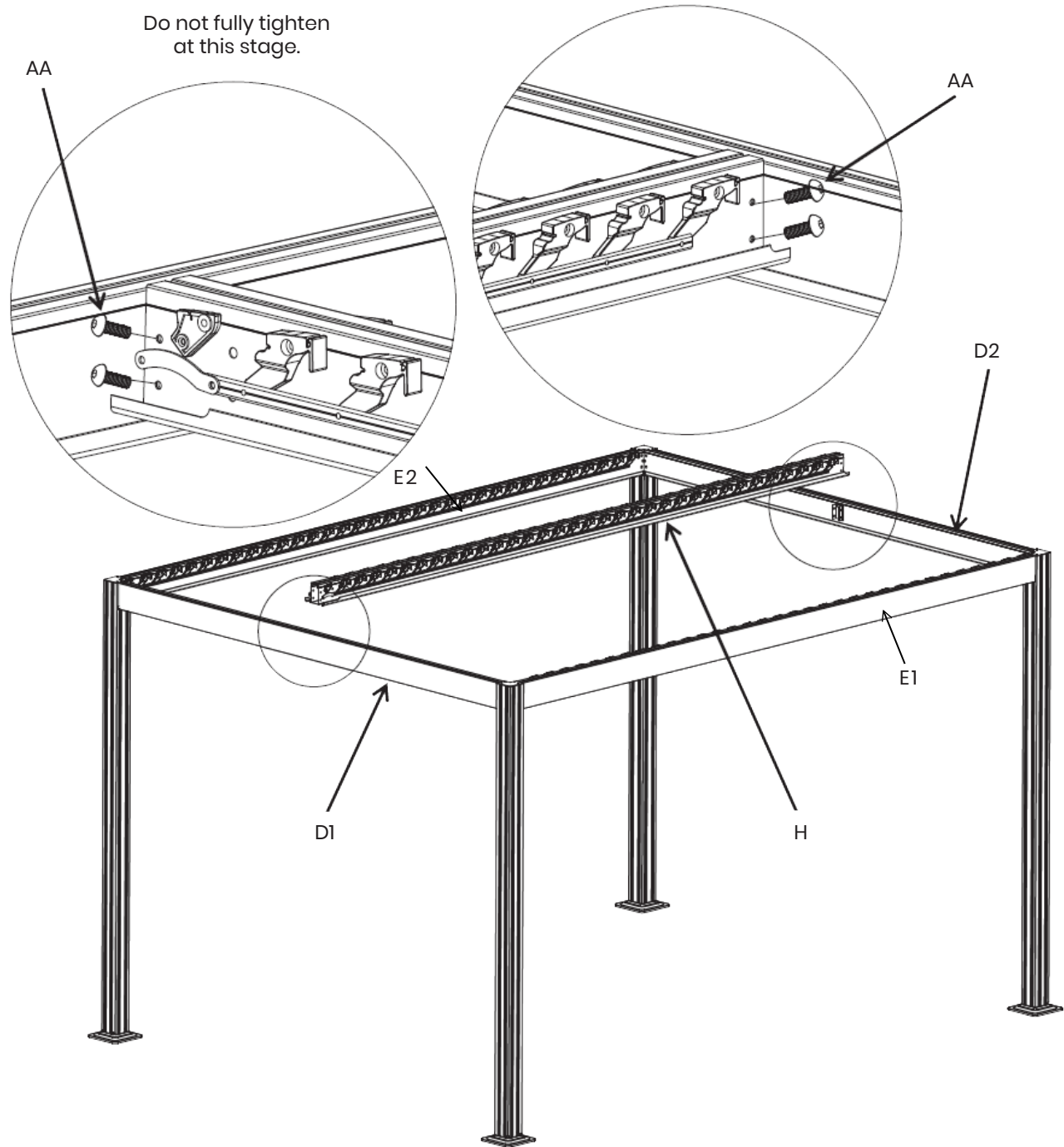


H x 1

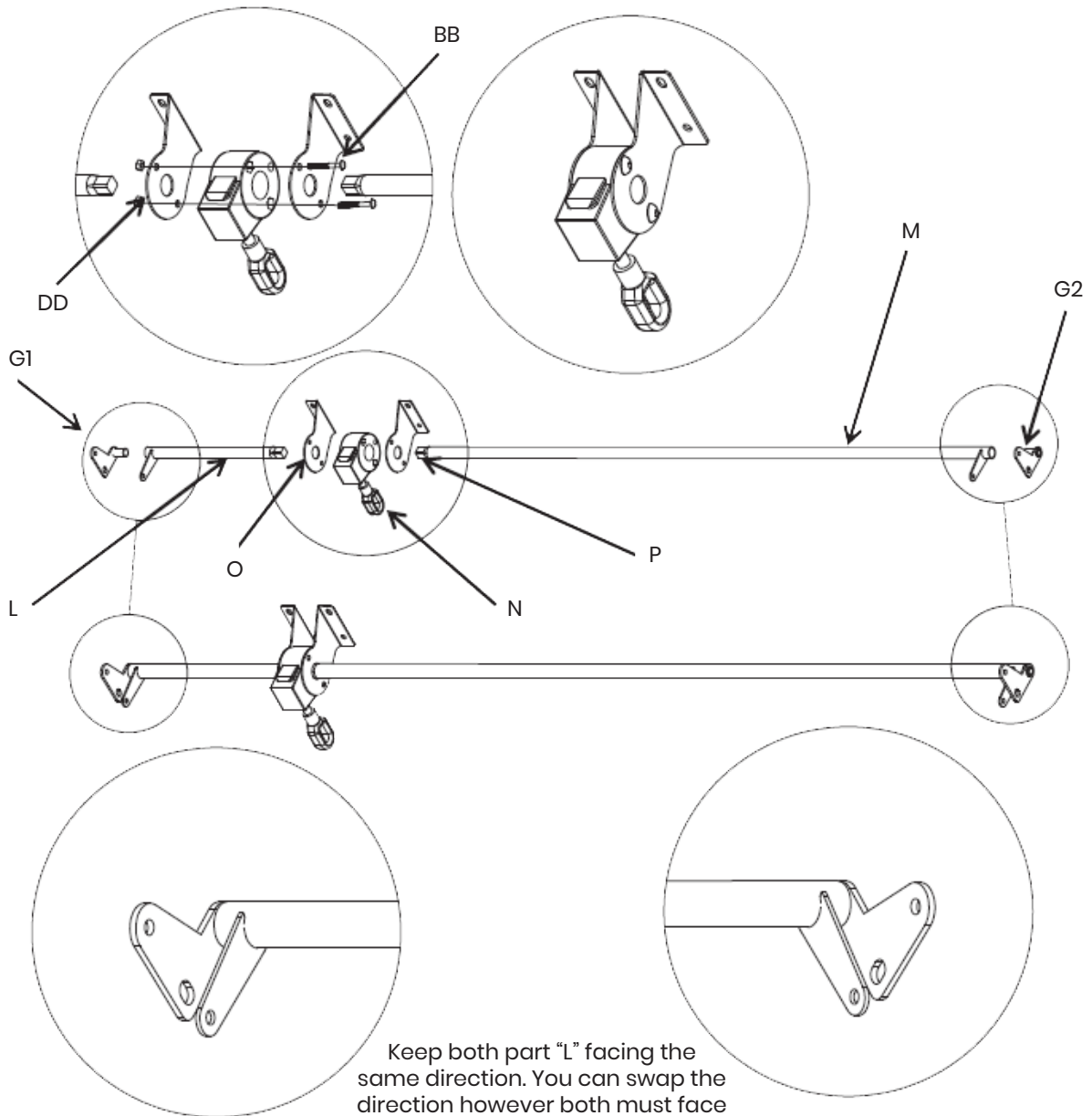
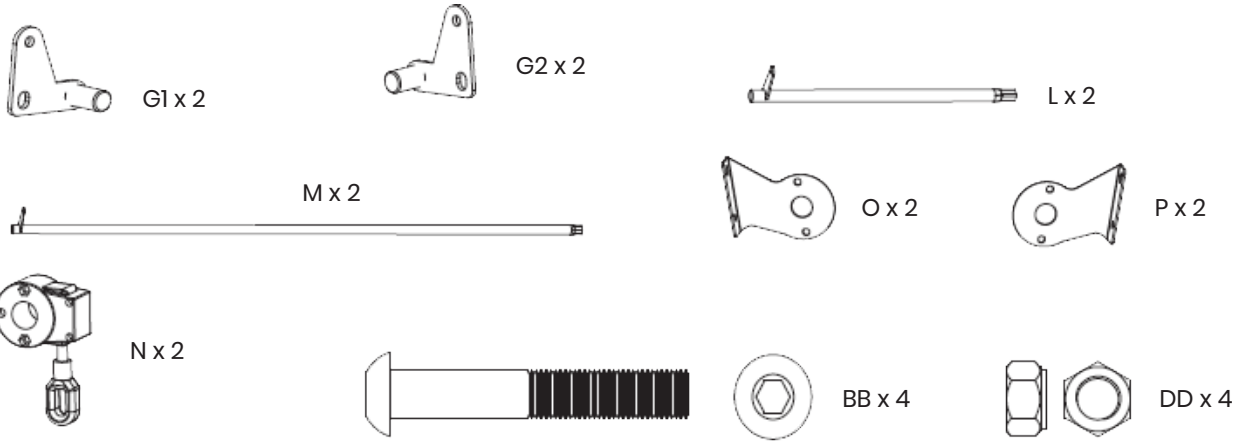


AA x 8

Do not fully tighten
at this stage.



STEP 8



Keep both part "L" facing the same direction. You can swap the direction however both must face the same way. Check step 10 to choose what angle suits you best.

STEP 10

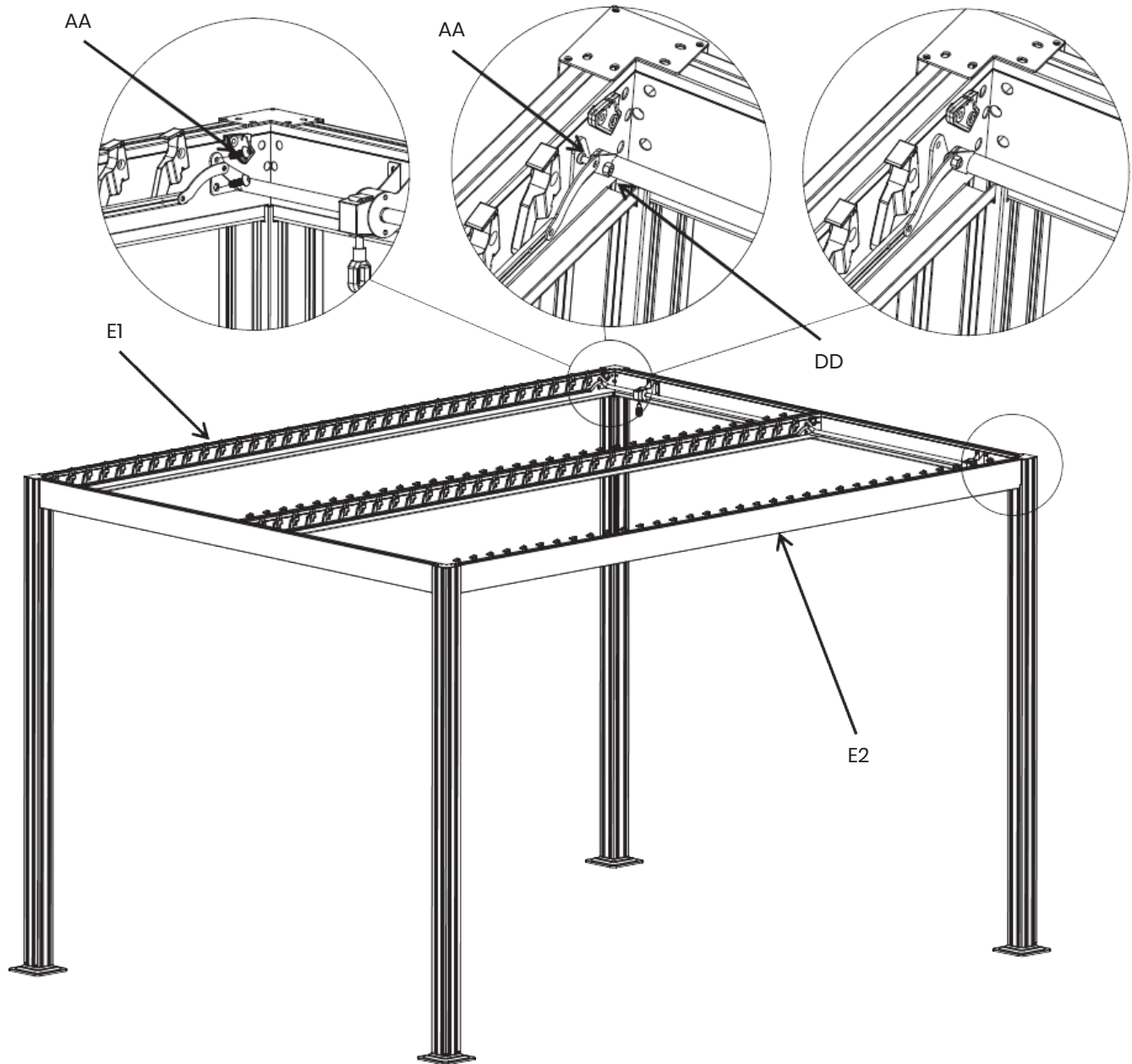


AA x 6



DD x 2

1. Use 2x screws to secure the rod to beam E1 and repeat for the other side for E2.
2. Use 1x screw to secure on the E1 curved bracket to the rod and repeat for E2 side.



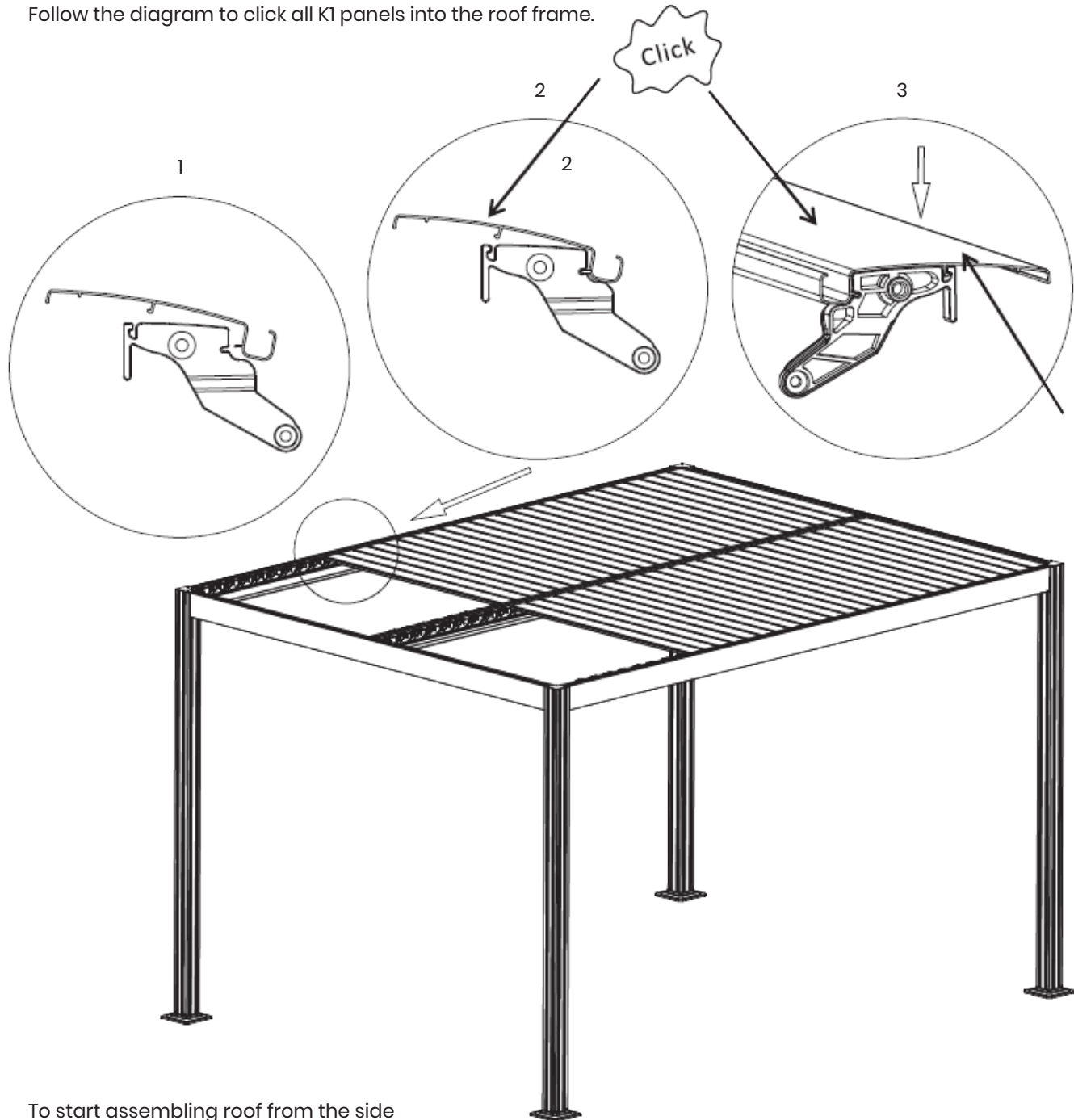
Tighten all the screws to the frame.

STEP 11



To start assembling the roof, begin from the opposite side of the loop lever (N).

Follow the diagram to click all K1 panels into the roof frame.



To start assembling roof from the side without control box "N".

STEP 12

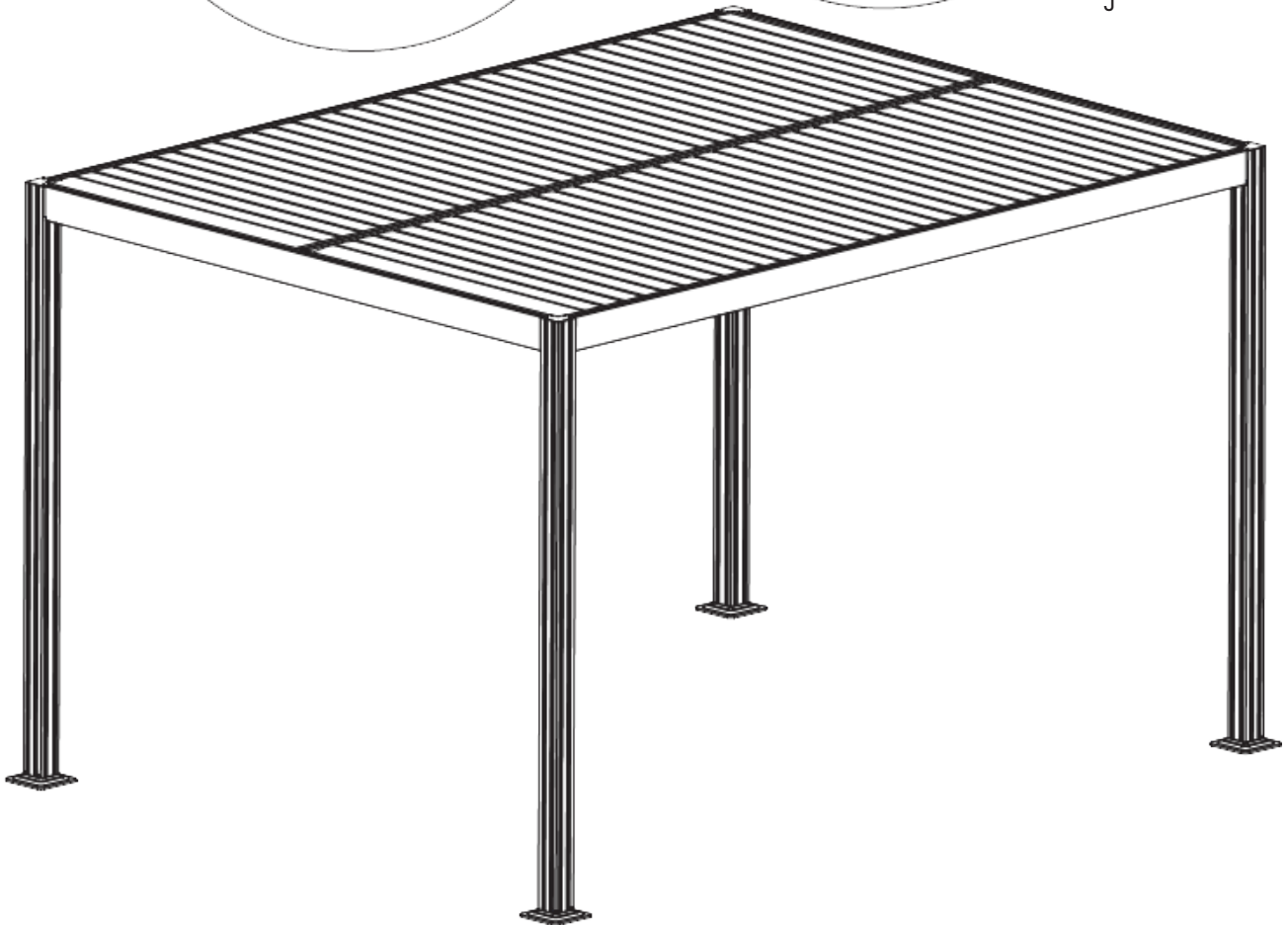
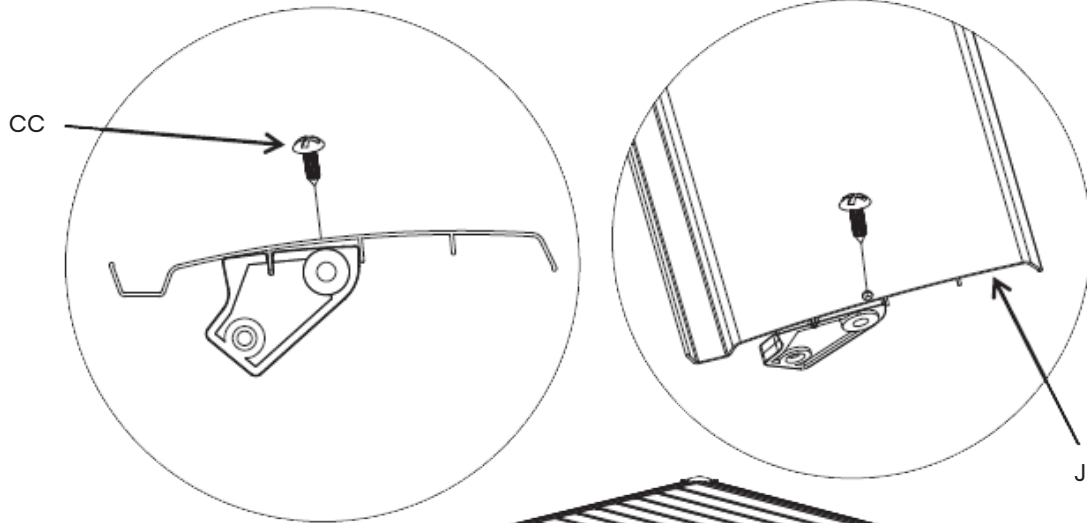


J x 2

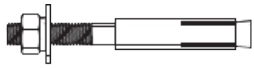


CC x 4

On the other end of the roof,
place the 2x J pieces and
secure with the screws.



STEP 13



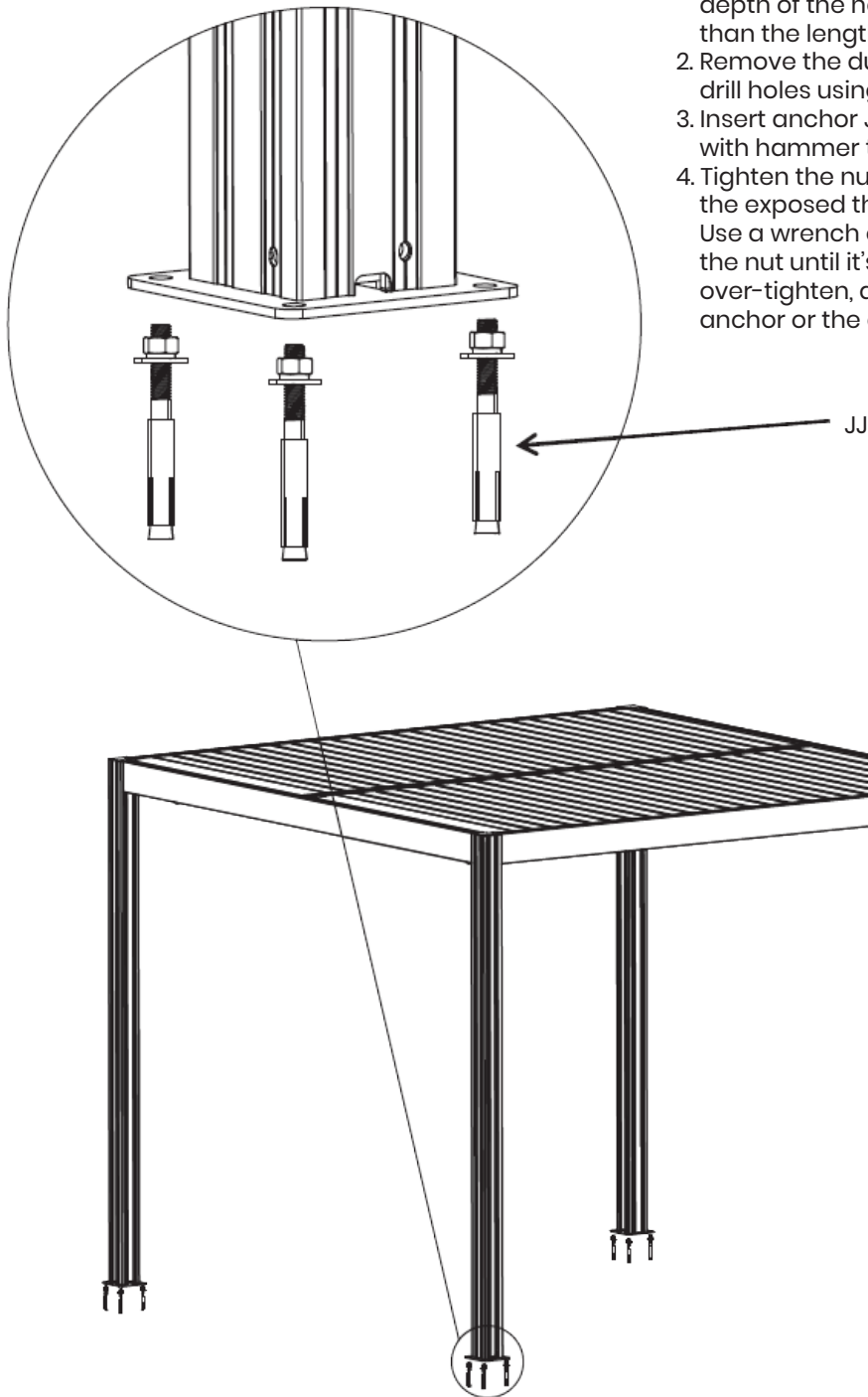
JJ x 16

ANCHORING:

Important: Ensure the concrete surface where you intend to install the wedge anchors is safe and can support the objects you plan to fasten. Clear any debris in the area.

Instructions:

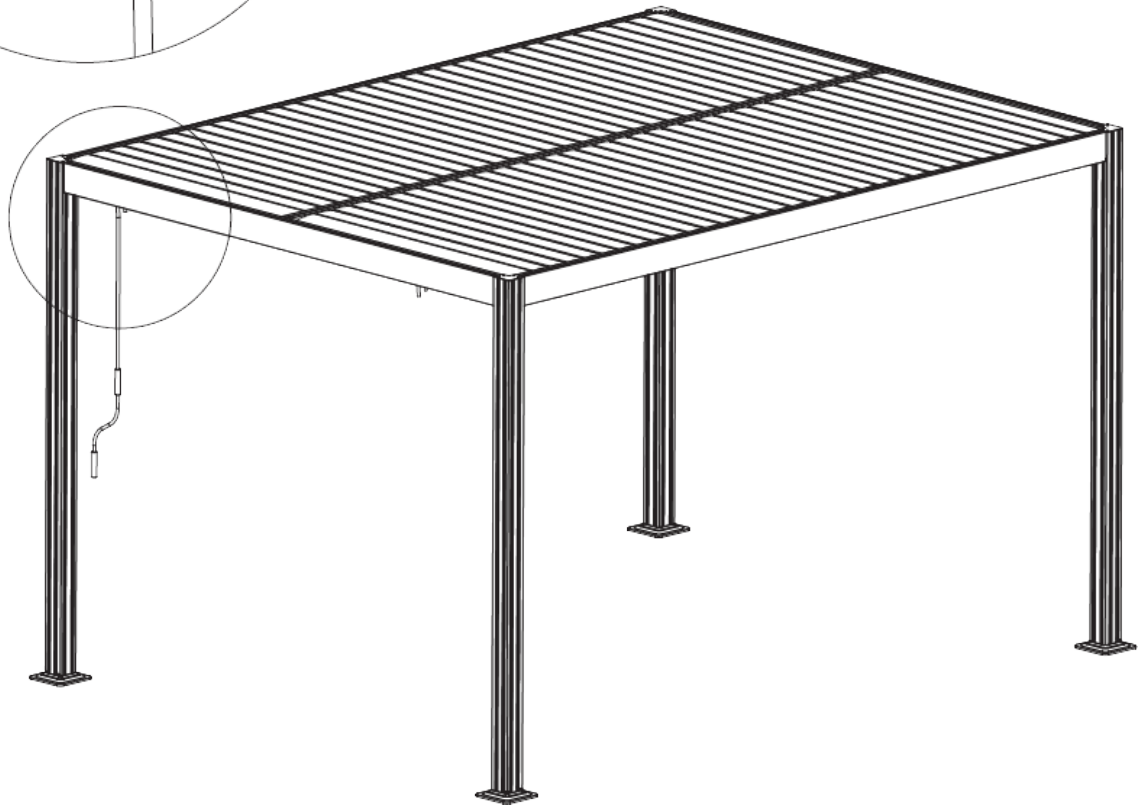
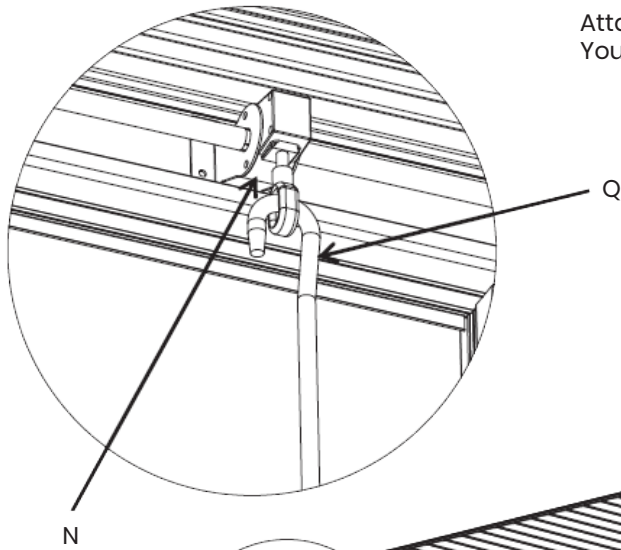
1. First mark your area then drill a hole into the concrete. The bit should be the same diameter as part JJ. Ensure the depth of the hole is about a 1/2" deeper than the length of part JJ.
2. Remove the dust and debris from the drill holes using brush or vacuum.
3. Insert anchor JJ into the holes and tap with hammer to set it firmly in the hole.
4. Tighten the nut and washer onto the exposed thread end of the anchor. Use a wrench or socket set to tighten the nut until it's snug. Be careful not to over-tighten, as this could damage the anchor or the concrete.



STEP 14

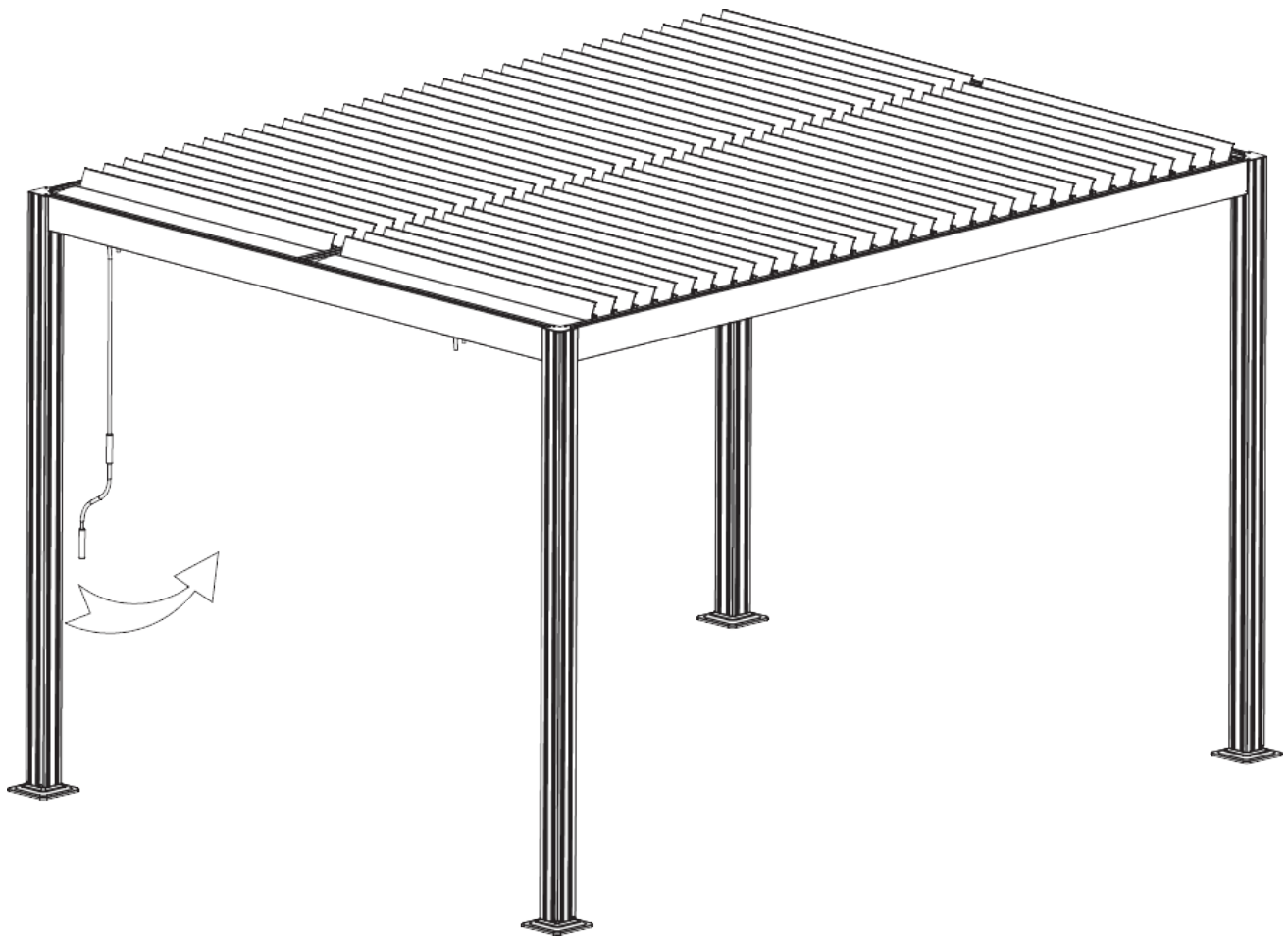


Attach the Shutter lever (Q) to N piece.
You can hook it on either sides for the N piece.



STEP 15

Turn part Q 90 degrees to open or close the shutters.
It cannot be turned more than 90 degrees.



V. WARRANTY

AUSTRALIAN CONSUMER LAW

Many of our products come with a guarantee or warranty from the manufacturer. In addition, they come with guarantees that cannot be excluded under the Australian Consumer Law. You are entitled to a replacement or refund for a major failure and compensation for any other reasonably foreseeable loss or damage.

You are entitled to have the goods repaired or replaced if the goods fail to be of acceptable quality and the failure does not amount to a major failure. Full details of your consumer rights may be found at www.consumerlaw.gov.au.

Please visit our website to view our full warranty terms and conditions:

<https://yardtopia.com.au/pages/warranty>

WARRANTY AND SUPPORT

Please email us at support@yardtopia.com.au for all warranty or support issues.

For all warranty or support related enquiries, please lodge a support ticket first by sending us an email support@yardtopia.com.au.

yardtopia

www.yardtopia.com.au