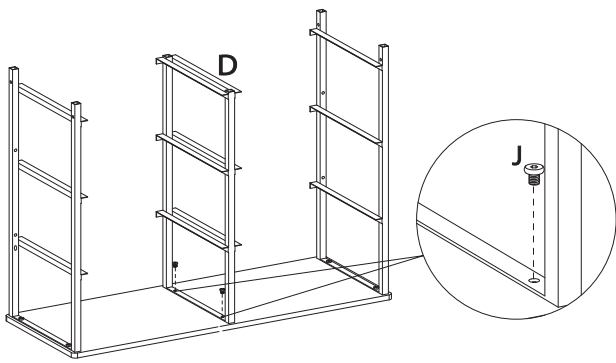
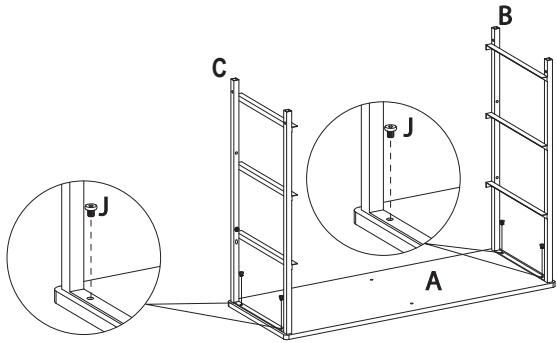
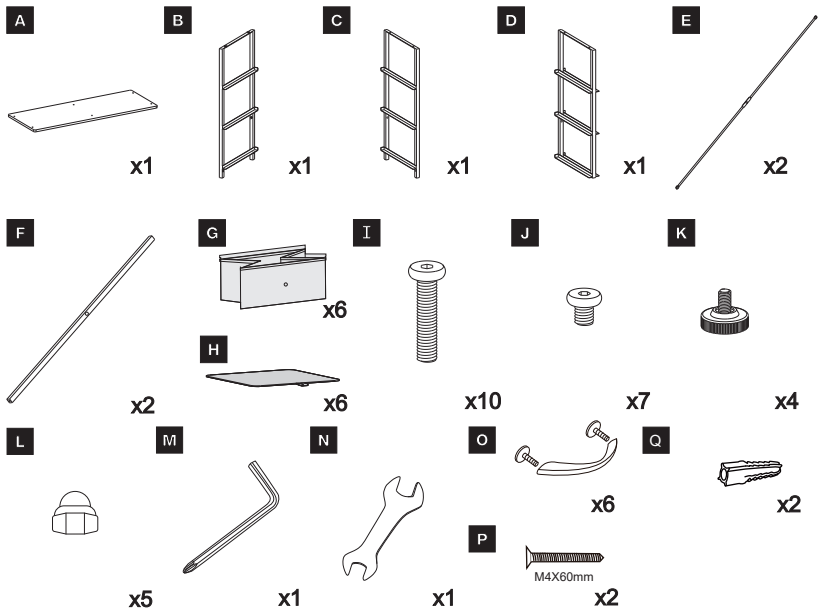


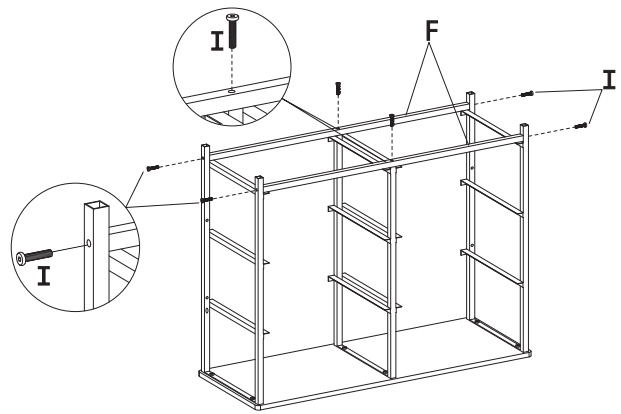
SHERWOOD

Assemble Instruction

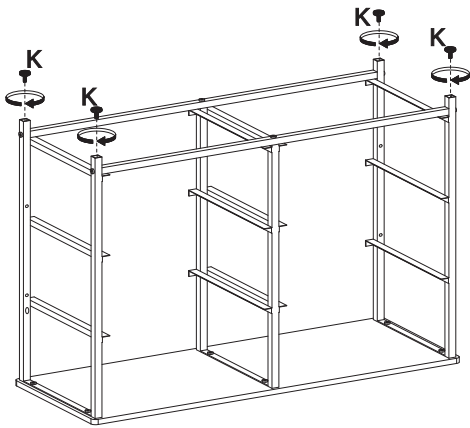
Do not fully tighten screws until assembly is complete.



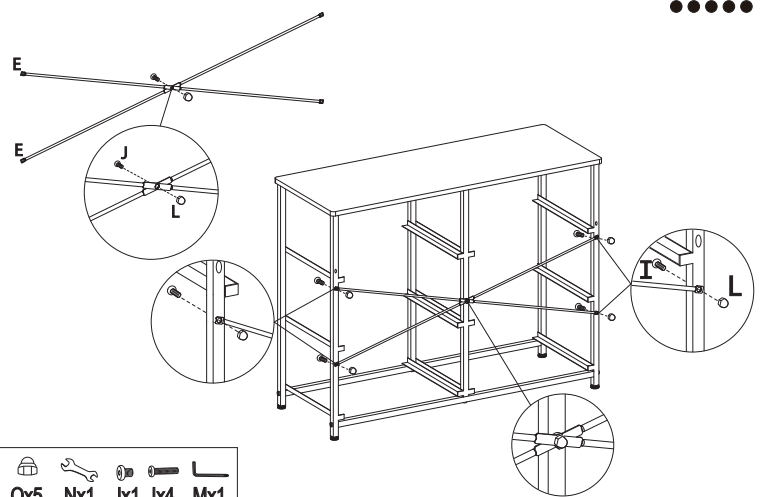
Jx6



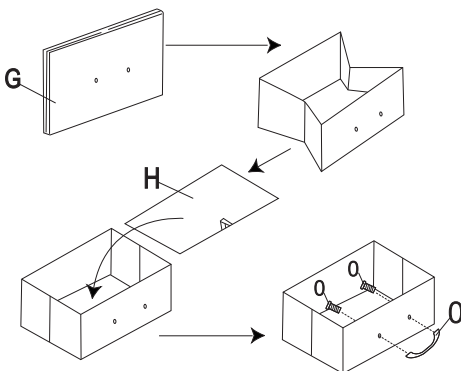
Ix6



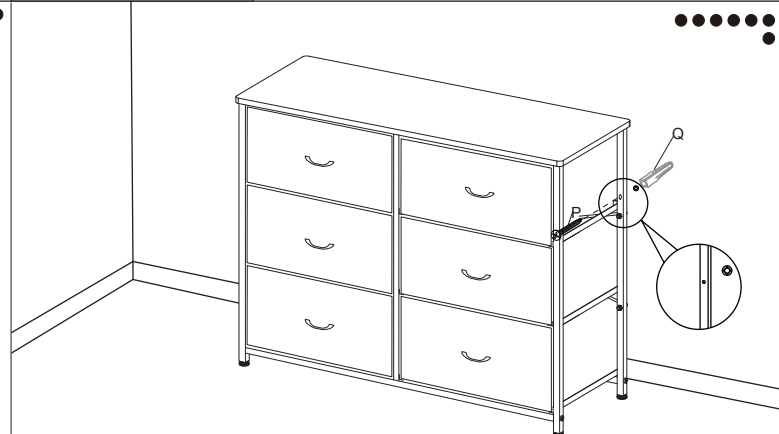
Kx4



Ox5 Nx1 Jx1 Ix4 Mx1



Ox6 Mx1



Qx2 Px2