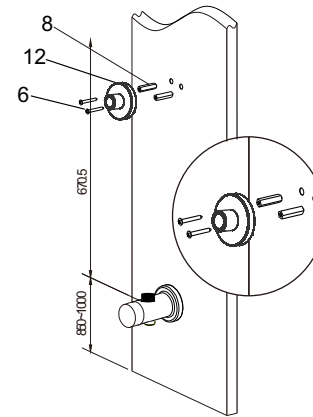


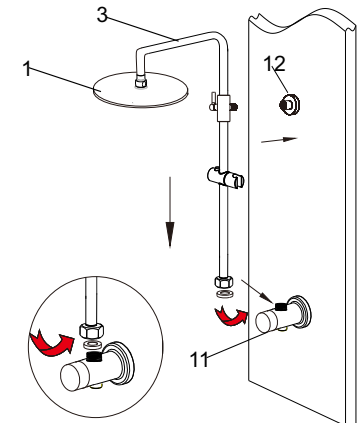
Step 1

Screw the body (11) and body seat(7) to the water hole of wall.



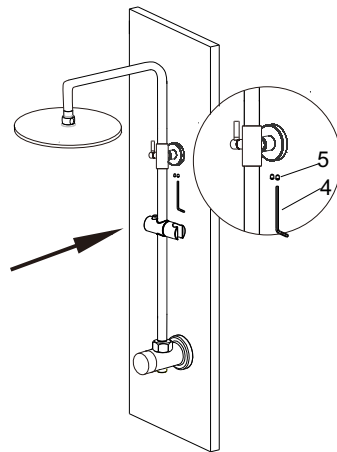
Step 2

Dig a hole on the top, feed expand tub 8 into the hole, and then fix expand tub(12) with a self-tapping screw(6). Installation distance showed on the picture is for reference only.



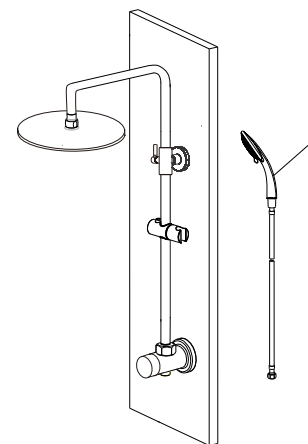
Step 3

Connect the Shower head (1), set the syphon(3) into the body(11),then set the connecting rod into the mounting base(12).



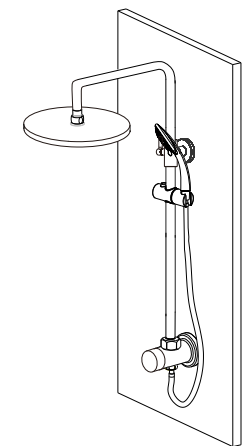
Step 4

Fix whole shower faucet by allen key(4), screw(5) .



Step 5

Connect the hand shower(9).



Step 6

Final complete result.