

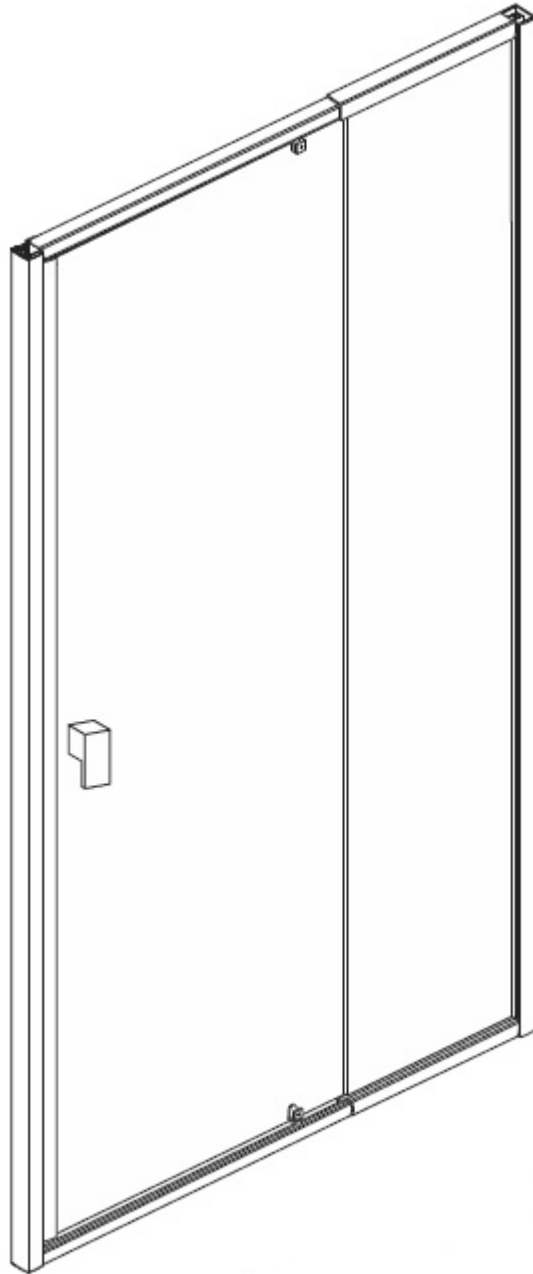
MODELS:

HIS-SFB-FRONT-1140-1220

HIS-SFB-FRONT-980-1060

HIS-SFB-FRONT-820-900

HIS-SFB-FRONT-740-820



◆ General Information

Please inspect the product immediately upon receipt for transit damage, missing packs/parts or manufacturing fault. Damage reported after installation will not be accepted. Please handle the product with care avoiding knocks and shock loading to all sides and edges of the glass

Notes: Safety glass can not be re-worked.

Please read these instructions carefully before start of installation.

Special care should be taken when drilling walls to avoid hidden pipes or electrical cables.

Note: This product is heavy and may require two people to install.

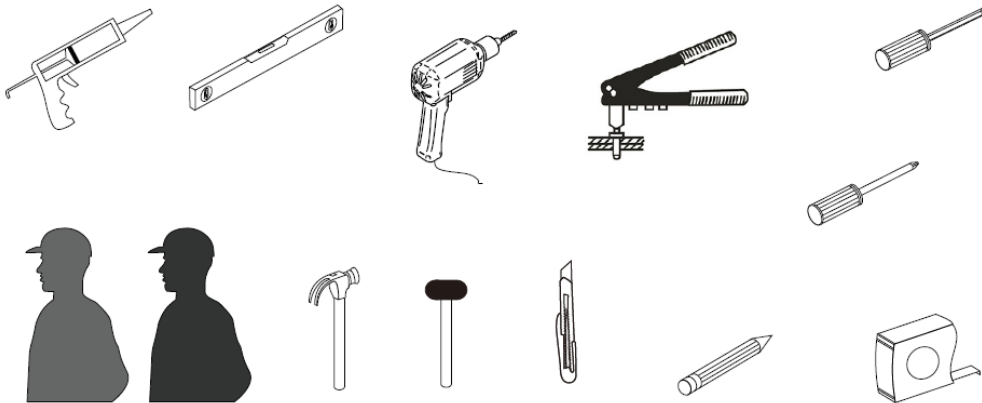
Aftercare instructions

After use, your shower should be cleaned with soap and water. This is particularly important in hard water districts where insoluble lime salts may be deposited and allowed to build up. Cleaners of a gritty or abrasive nature should not be used. Care should be taken to avoid contact with strong chemicals such as organic solvents and strippers.

Glass cleaners can be used but with caution, if in doubt contact the manufacturer of the cleaner in question.

Please keep these instructions for aftercare and customer service details.


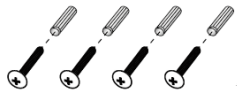


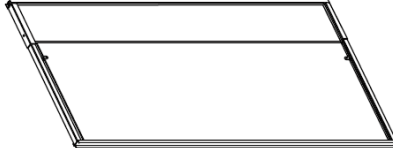
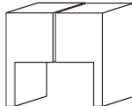

Tools Required



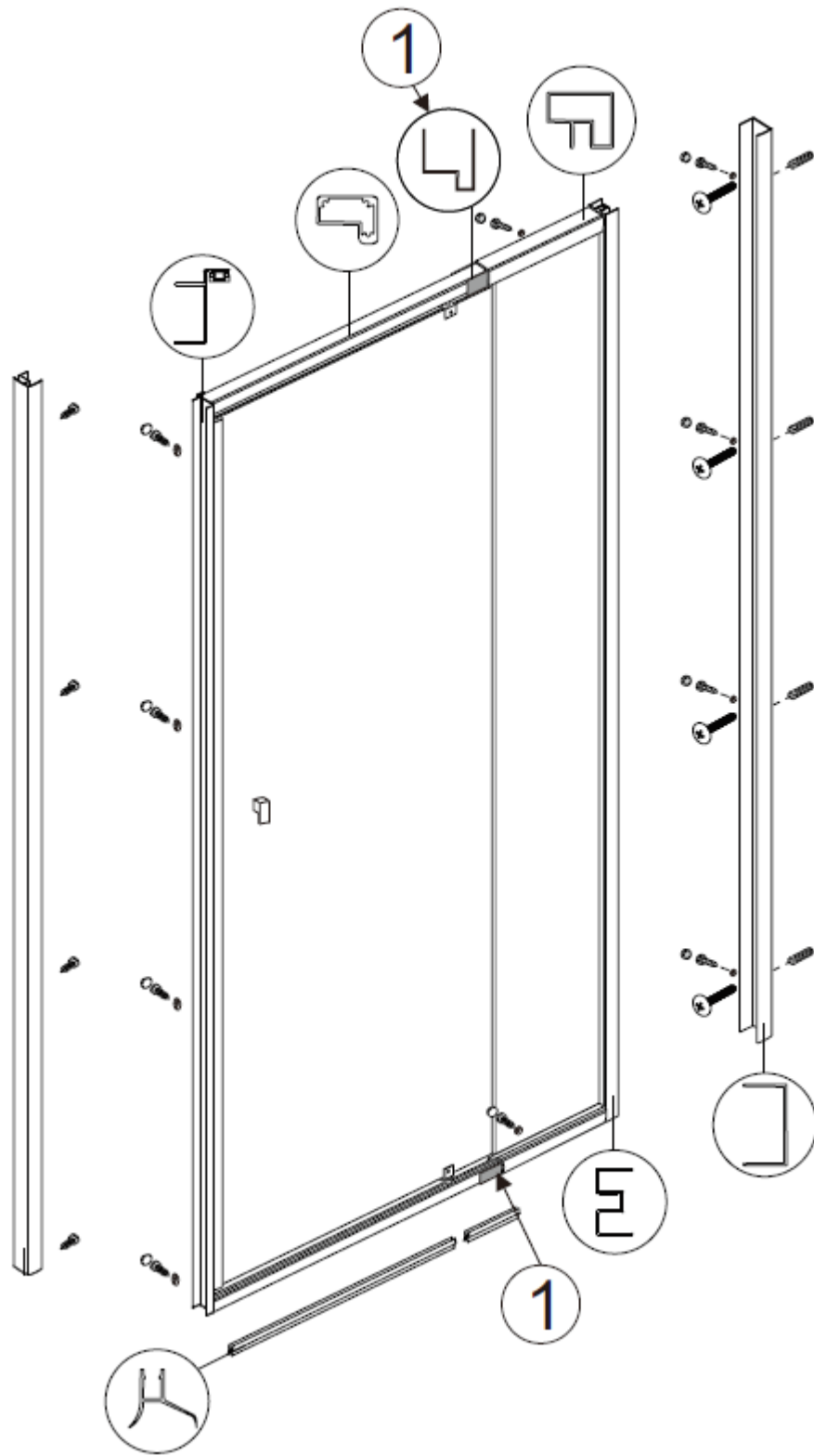
This product is heavy and may require two people to install.



◆ Box Contents:

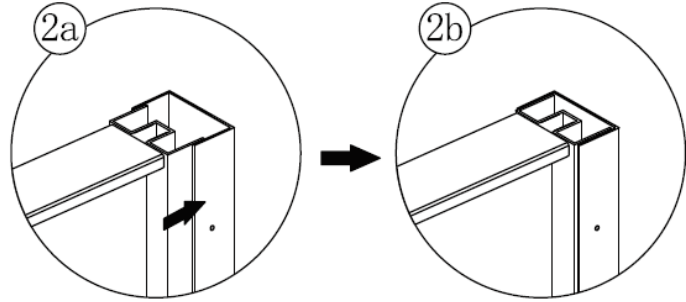
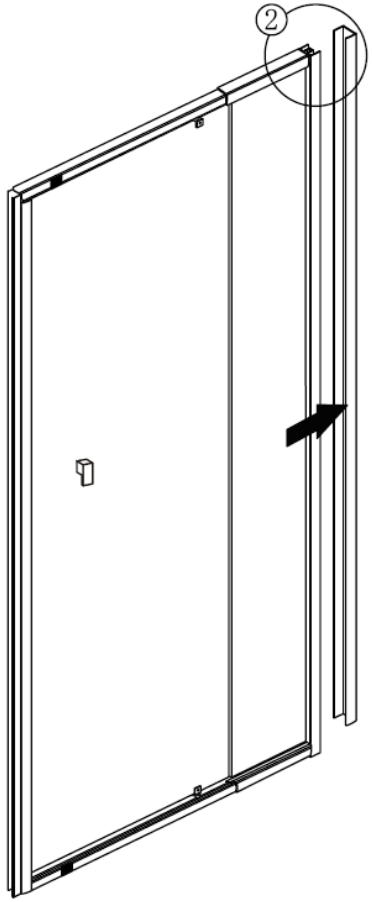
<p>[1] 2xwall Channels</p>	<p>→</p>	
<p>[4] 4xWall plugs 4xScrews M4X35</p>	<p>→</p>	
<p>[5] 14 xScrews M4X12 10xScrew covers&spacers</p>	<p>→</p>	
<p>[6] 1xWater Seals</p>	<p>→</p>	
<p>[8] 1xDoor Panel 1xFixed Panel</p>	<p>→</p>	
<p>[9] 1xDoor Handle</p>	<p>→</p>	
<p>[10] Profile top covers</p>	<p>→</p>	

ASSEMBLY PHOTOS:

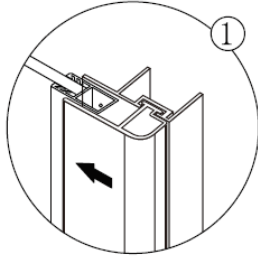
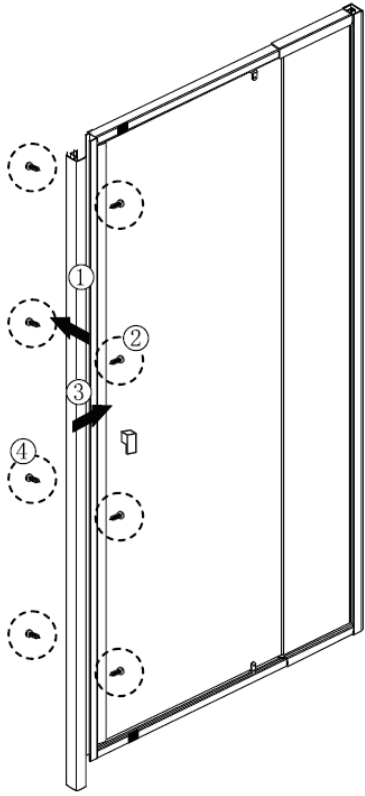


- ① Aluminum anti-scratch protectors do not remove till the installation is finished.

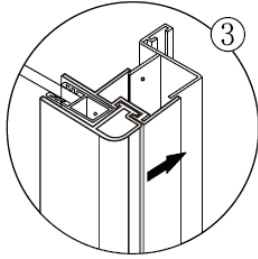
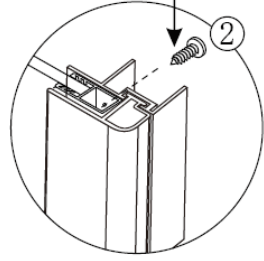




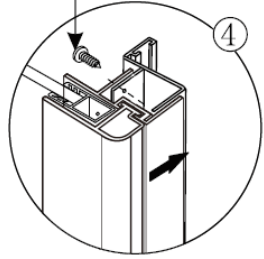
View from inside

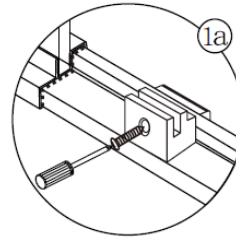
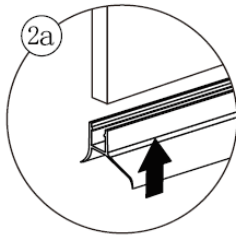
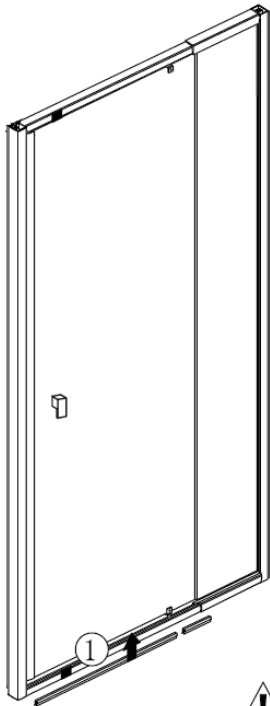


Pop rivit • M4x12

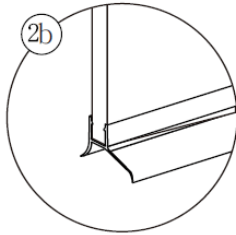


Pop rivit • M4x12

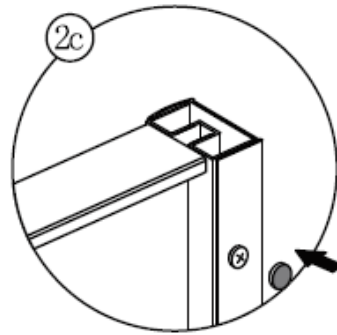
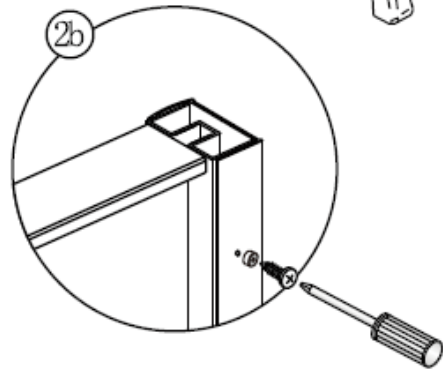
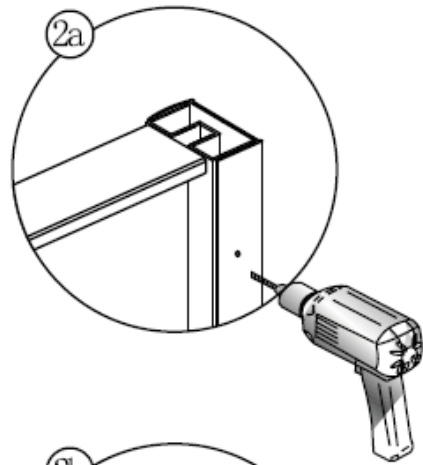
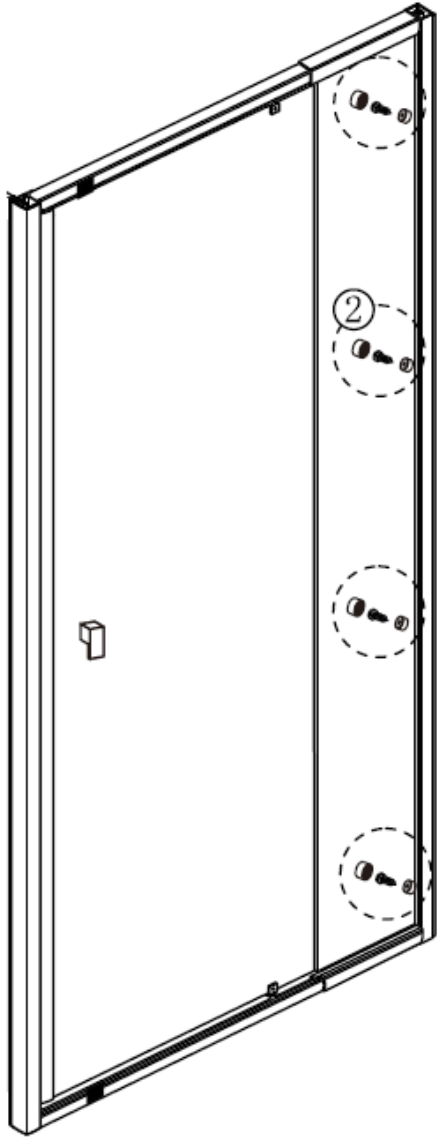


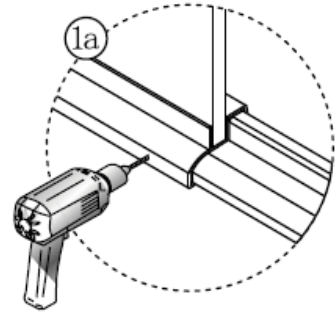
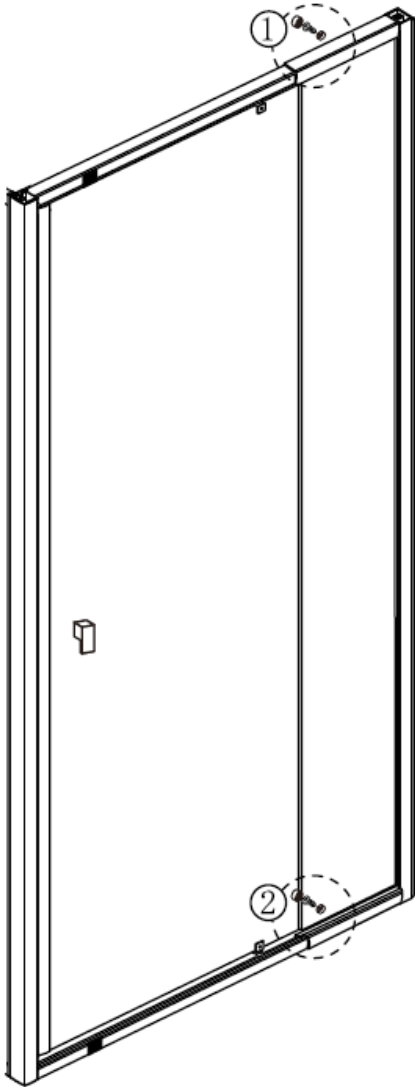


Before you install the water seal plate loose the screw and take the glass moving stopper out.

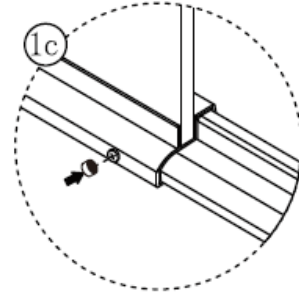
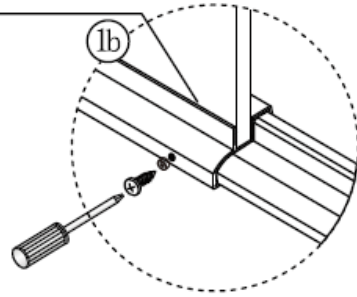


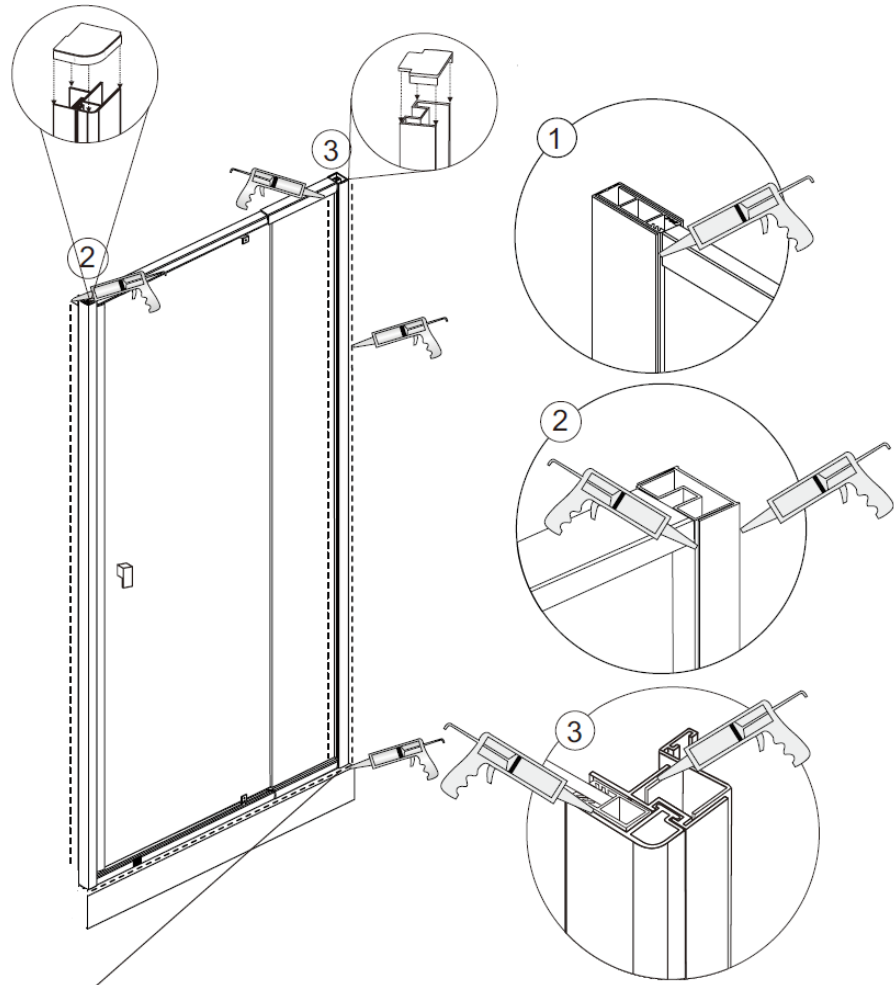
Ensure wall profiles are plumb. Adjust enclosure to be square and level. Wall posts and profiles should be adjusted to square the doors and ensure the door opens and shuts properly.





Screw • M4x12





Do not silicone floor section from inside to allow moisture and condensation to drain back into the shower.



Allow 24 hours for silicone to dry before use.