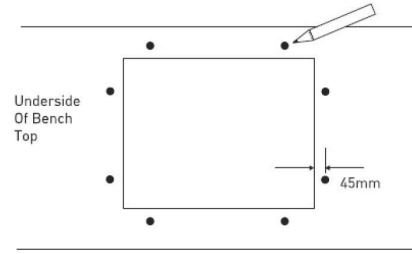
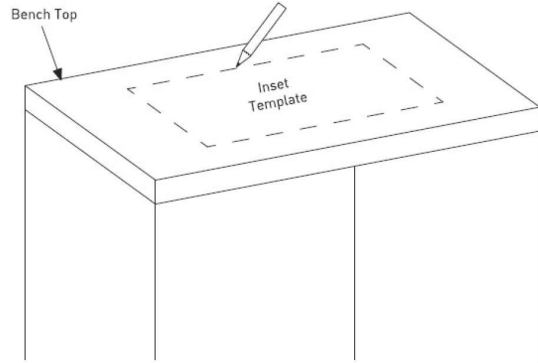


INSET INSTALLATION



Hole Size: \varnothing 10,5mm x 15mm Depth

