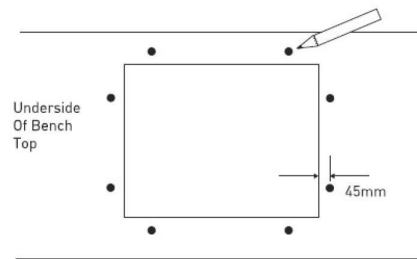
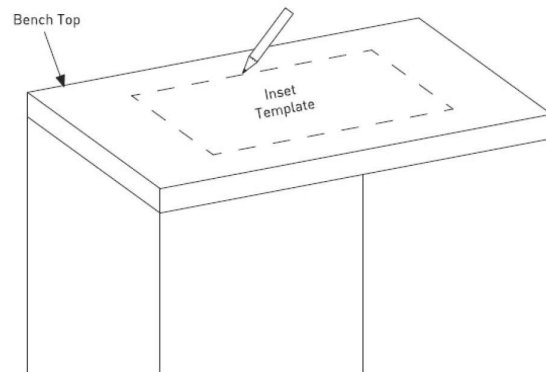
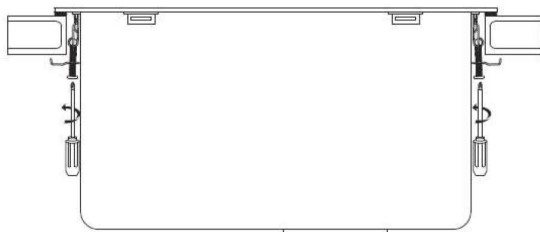


INSET INSTALLATION



Hole Size: $\varnothing 10,5\text{mm}$ x 15mm Depth



UNDERMOUNT INSTALLATION

