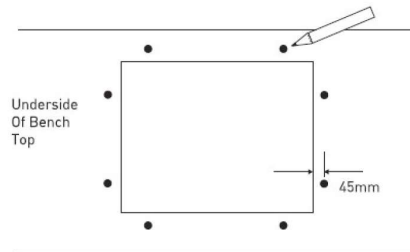
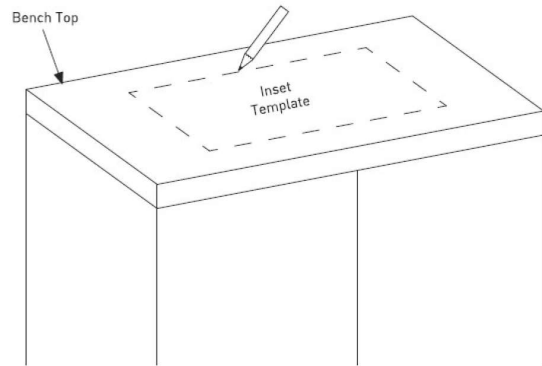
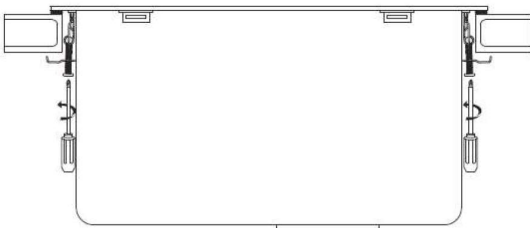


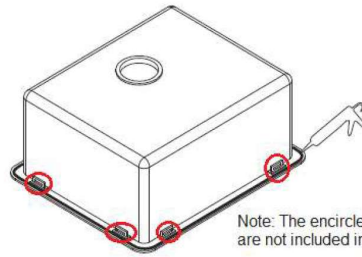
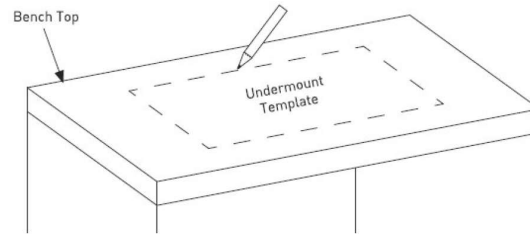
INSET INSTALLATION



Hole Size: \varnothing 10,5mm x 15mm Depth



UNDERMOUNT INSTALLATION



Note: The encircled components are not included in the pack.

