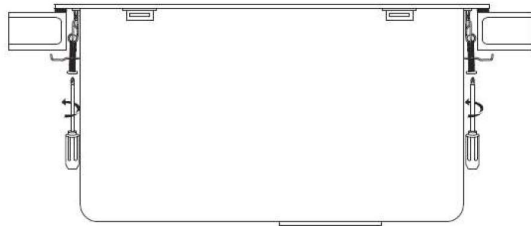
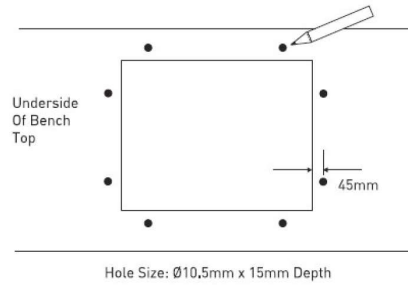
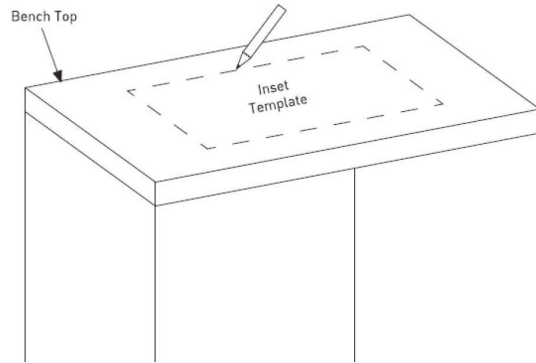


INSET INSTALLATION



530*505*255

