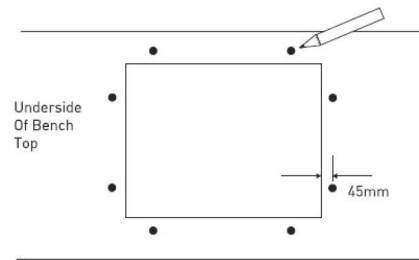
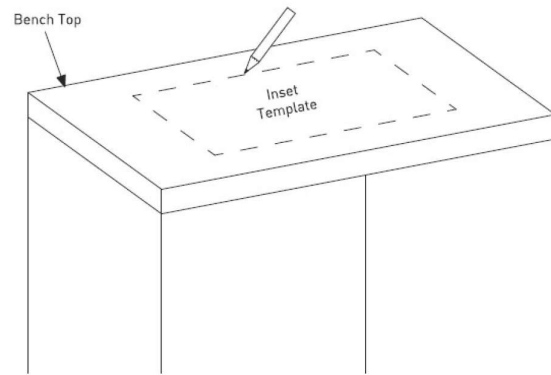
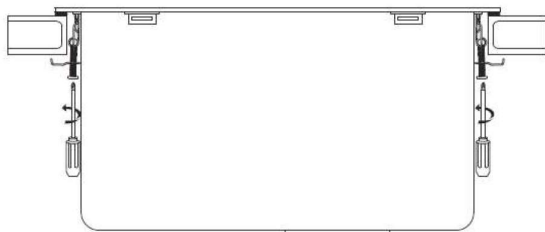


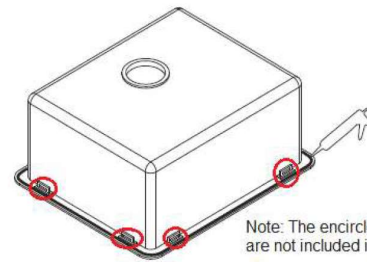
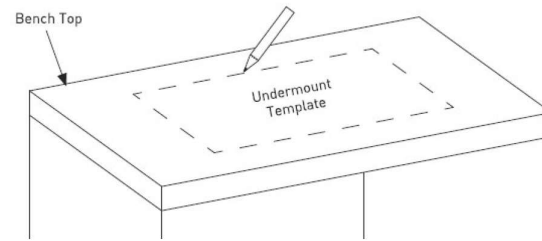
INSET INSTALLATION



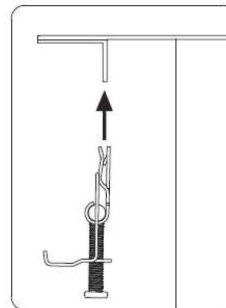
Hole Size: $\varnothing 10,5\text{mm} \times 15\text{mm}$ Depth



UNDERMOUNT INSTALLATION



Note: The encircled components are not included in the pack.



JMX-15

